

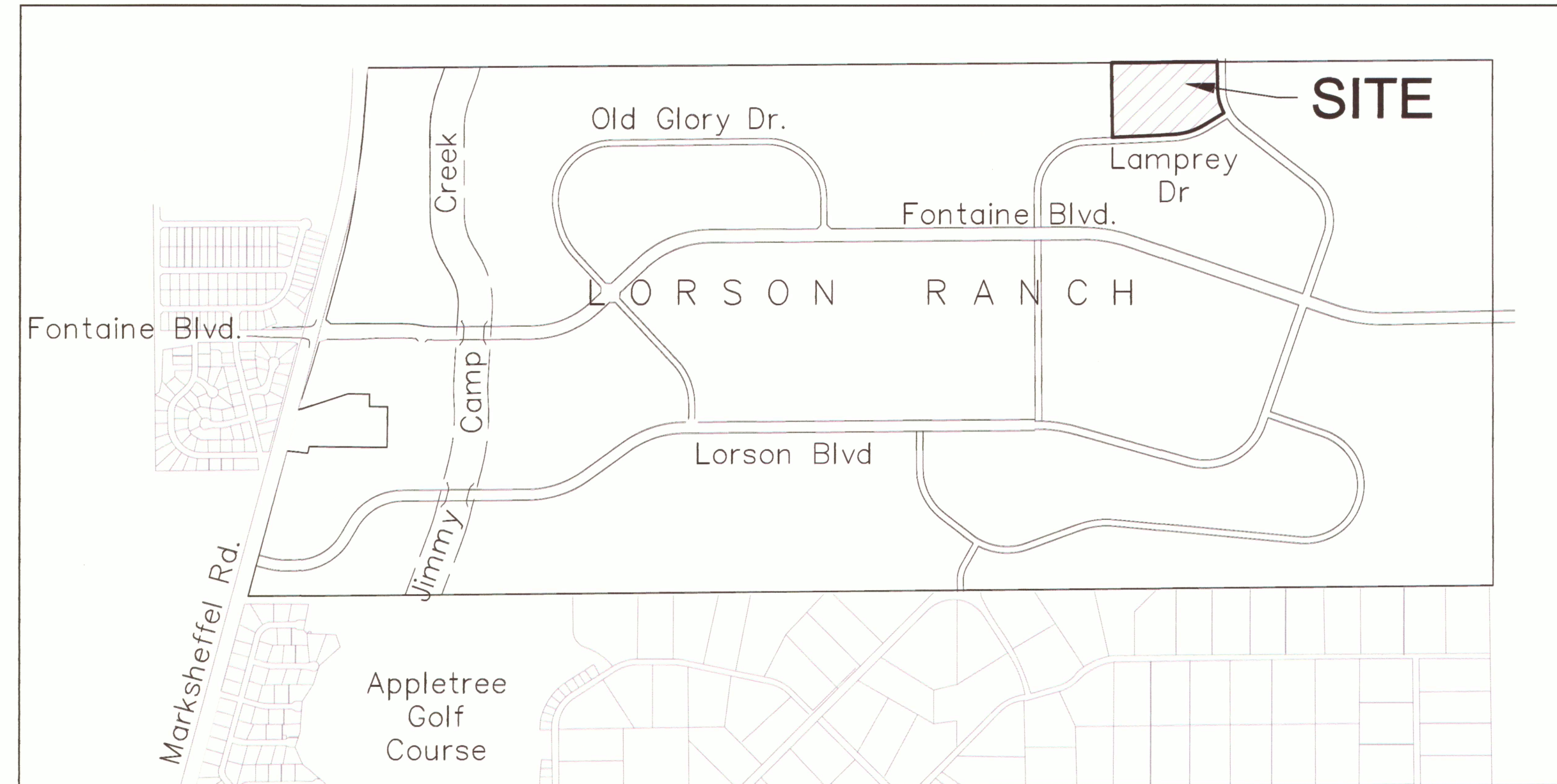
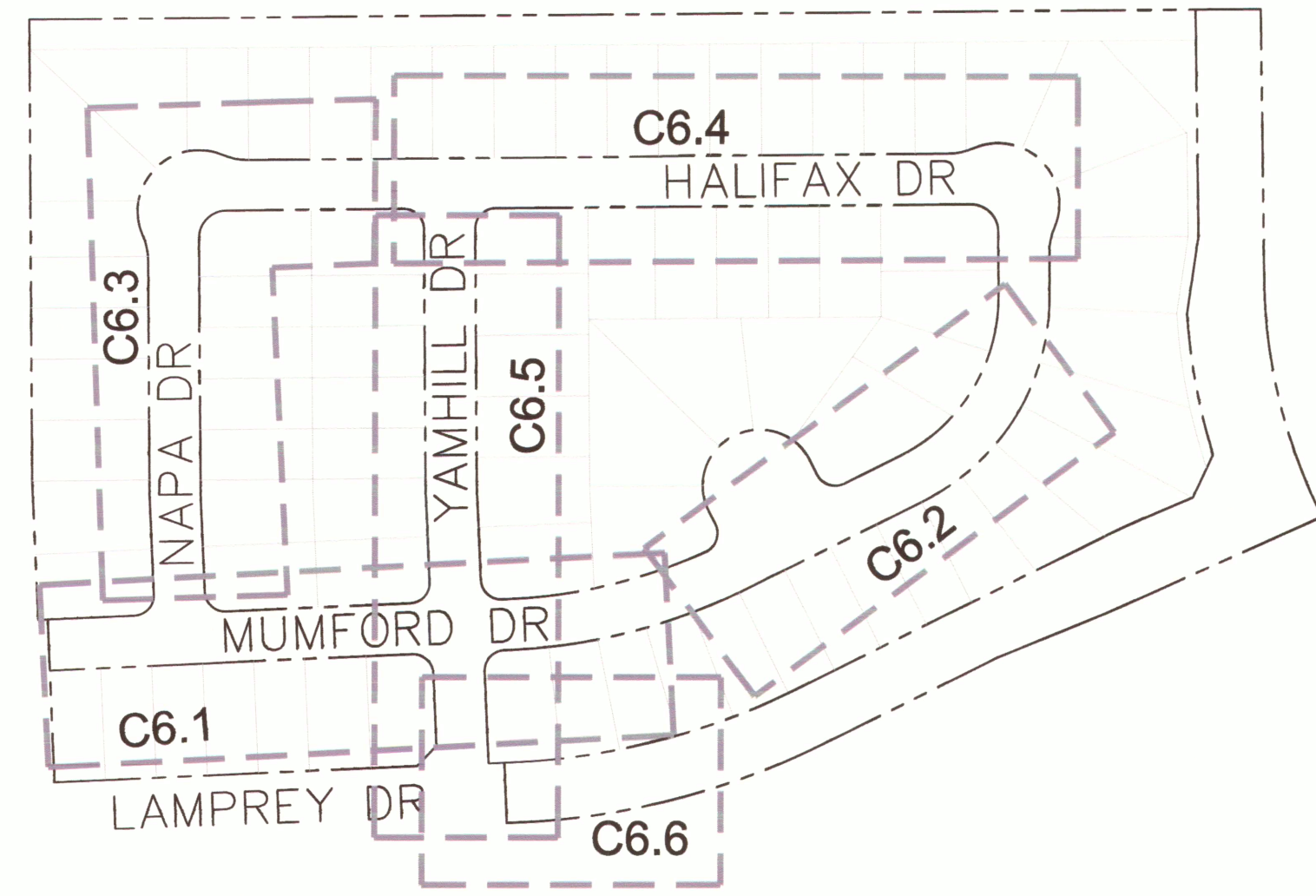
CONSTRUCTION PLANS
FOR

LORSON RANCH EAST FILING NO. 3
STREET AND STORM SEWER
CONSTRUCTION PLANS



Know what's below.
Call before you dig.

CALL 2-BUSINESS DAYS IN ADVANCE
BEFORE YOU DIG, GRADE OR
EXCAVATE FOR THE MARKING OF
UNDERGROUND MEMBER UTILITIES



SHEET INDEX	
SHEET NO.	SHEET DESCRIPTION
C1.1	COVER SHEET
C1.2	NOTES
C1.3	TYPICAL SECTIONS
C2.1	STREET HORIZONTAL CONTROL
C5.1	SIGNING/STRIPING PLANS
C6.1-C6.6	STREET/STORM PLAN AND PROFILES
C10.1-C10.3	DETAILS

DEVELOPER'S STATEMENT

THE UNDERSIGNED OWNER/DEVELOPER HAS READ AND WILL COMPLY WITH ALL THE REQUIREMENTS SPECIFIED IN THESE CONSTRUCTION PLANS AND THE ACCOMPANYING DRAINAGE REPORT.

BUSINESS NAME LORSON, LLC
BY [Signature] DATE 2/26/19
TITLE Authorized Signing Agent
ADDRESS 212 N. WAHSATCH AVE, SUITE 301
COLORADO SPRINGS, CO 80903

PREPARED FOR:
LORSON, LLC
N. WAHSATCH AVE., SUITE 301
COLORADO SPRINGS, CO 80903
719-635-3200
CONTACT: JEFF MARK

PREPARED BY:
CORE ENGINEERING GROUP
15004 1ST AVENUE S.
BURNSVILLE, MN 55306
719-570-1100
CONTACT: RICHARD L. SCHINDLER P.E.

LEGEND

- SUBDIVISION BOUNDARY
- EXISTING AND PROPOSED RIGHT OF WAY
- EXISTING AND PROPOSED LOT LINES
- EXISTING AND PROPOSED EASEMENTS
- STREET CENTERLINE
- PROPOSED CURB AND GUTTER
- EX-W --- EXISTING WATERMAIN
- W-S --- PROPOSED WATERMAIN
- SS-S --- EXISTING SANITARY SEWER
- SS-S --- PROPOSED SANITARY SEWER
- SS-24 --- EXISTING 24" SANITARY SEWER
- G --- EXISTING GASMAIN
- E --- EXISTING UNDERGROUND ELECTRIC
- OHE --- EXISTING OVERHEAD ELECTRIC
- TV --- EXISTING CABLE TV
- T --- EXISTING PHONE OR FIBER OPTIC
- EXISTING STORM DRAIN
- PROPOSED STORM SEWER
- --- EXISTING MANHOLES
- --- PROPOSED SANITARY AND STORM MANHOLES
- --- EXISTING AND PROPOSED WATERMAIN VALVES
- --- EXISTING AND PROPOSED FIRE HYDRANT
- EXISTING UTILITY POLE
- PROPOSED STORM SEWER INLET

CONSTRUCTION APPROVAL

COUNTY PLAN REVIEW IS PROVIDED ONLY FOR GENERAL CONFORMANCE WITH COUNTY DESIGN CRITERIA. THE COUNTY IS NOT RESPONSIBLE FOR THE ACCURACY AND ADEQUACY OF THE DESIGN, DIMENSIONS, AND/OR ELEVATIONS WHICH SHALL BE CONFIRMED AT THE JOB SITE. THE COUNTY THROUGH THE APPROVAL OF THIS DOCUMENT ASSUMES NO RESPONSIBILITY FOR COMPLETENESS AND/OR ACCURACY OF THIS DOCUMENT.

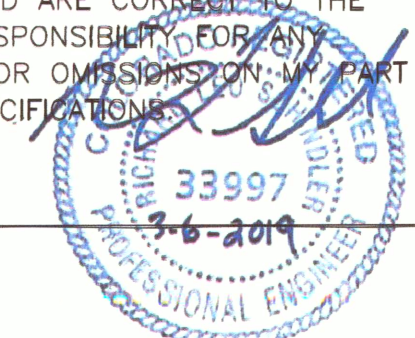
FILED IN ACCORDANCE WITH THE REQUIREMENTS OF THE EL PASO COUNTY LAND DEVELOPMENT CODE, DRAINAGE CRITERIA MANUALS VOLUME 1 AND 2, AND ENGINEERING CRITERIA MANUAL AS AMENDED. IN ACCORDANCE WITH ECM SECTION 1.12, THESE CONSTRUCTION DOCUMENTS WILL BE VALID FOR CONSTRUCTION FOR A PERIOD OF 2 YEARS FROM THE DATE SIGNED BY THE EL PASO COUNTY ENGINEER. IF CONSTRUCTION HAS NOT STARTED WITHIN THOSE TWO YEARS THE PLANS WILL NEED TO BE RESUBMITTED FOR APPROVAL, INCLUDING PAYMENT OF REVIEW FEES AT THE PLANNING AND COMMUNITY DEVELOPMENT DIRECTOR'S DISCRETION.

JENNIFER IRVINE, COUNTY ENGINEER/ECM ADMINISTRATOR DATE _____
CONDITIONS:

ENGINEER'S APPROVAL

THESE DETAILED PLANS AND SPECIFICATIONS WERE PREPARED UNDER MY DIRECTION AND SUPERVISION. SAID PLANS AND SPECIFICATIONS HAVE BEEN PREPARED ACCORDING TO THE CRITERIA ESTABLISHED BY THE COUNTY FOR DETAILED ROADWAY, DRAINAGE, GRADING AND EROSION CONTROL PLANS AND SPECIFICATIONS, AND SAID PLANS AND SPECIFICATIONS ARE IN CONFORMITY WITH APPLICABLE MASTER DRAINAGE PLANS AND MASTER TRANSPORTATION PLANS. SAID PLANS AND SPECIFICATIONS MEET THE PURPOSES FOR WHICH THE PARTICULAR ROADWAY AND DRAINAGE FACILITIES ARE DESIGNED AND ARE CORRECT TO THE BEST OF MY KNOWLEDGE AND BELIEF. I ACCEPT RESPONSIBILITY FOR ANY LIABILITY CAUSED BY ANY NEGLIGENT ACTS, ERRORS OR OMISSIONS MADE IN PREPARATION OF THESE DETAILED PLANS AND SPECIFICATIONS.

RICHARD L. SCHINDLER, P.E. # 33997
FOR AND ON BEHALF OF CORE ENGINEERING GROUP



WATER / SANITARY
WIDEFIELD WATER AND SANITATION DISTRICT
8495 FONTAINE BLVD.
COLORADO SPRINGS, CO 80925
719-390-7111

CABLE
COMCAST
P.O. BOX 173838
DENVER, CO 80217
970-641-4774

ELECTRIC
MOUNTAIN VIEW ELECTRIC
11140 E. WOODMEN RD.
COLORADO SPRINGS, CO 80831
719-495-2283

SECURITY FIRE PROTECTION DISTRICT
400 SECURITY BOULEVARD
SECURITY, CO 80911
719-392-7121

TELEPHONE
CENTURYLINK
7925 INDUSTRY ROAD
COLORADO SPRINGS, CO 80939
719-278-4651

GAS
BLACK HILLS ENERGY
7060 ALLEGRE ST.
FOUNTAIN, CO 80817
719-393-6639

EL PASO COUNTY
PLANNING AND COMMUNITY DEVELOPMENT
2880 INTERNATIONAL CIRCLE
COLORADO SPRINGS, CO 80910
719-520-6300

BASIS OF BEARING

BEARINGS ARE BASED ON THE SOUTH LINE OF THE NORTH HALF OF SECTION 23, TOWNSHIP 15 SOUTH, RANGE 65 WEST OF THE 6TH PRINCIPAL MERIDIAN AS BEING SOUTH 89°15'2" WEST. THE EAST QUARTER CORNER OF SAID SECTION 23 IS A FOUND 3-1/2" ALUMINUM CAP MONUMENT AND THE WEST QUARTER CORNER OF SAID SECTION 23 IS A FOUND 2-1/2" ALUMINUM CAP MONUMENT

BENCHMARK

FIMS MONUMENT F204 LOCATED AT THE NORTHWEST CORNER OF FONTAINE BLVD AND COTTONWOOD GROVE DR. ELEVATION 5724.072 (N.G.V.D. 29)

TRAFFIC CONTROL NOTE

THE CONTRACTOR SHALL PROVIDE ALL TRAFFIC CONTROL DEVICES AND MONITORING NECESSARY TO SAFELY COMPLETE THE WORK SHOWN IN THESE CONSTRUCTION DOCUMENTS IN CONFORMANCE WITH M.U.T.C.D. GUIDELINES. THE CONTRACTOR SHALL COMPLETE ALL NECESSARY WORK FOR PLAN REVIEW, PERMITS AND PROCESSING. TRAFFIC CONTROL WILL NOT BE PAID SEPARATELY BUT IS INCLUDED IN THE COST OF THE PROJECT.

CORE ENGINEERING GROUP
15004 1ST AVENUE S.
BURNSVILLE, MN 55306
PH: 719.570.1100
CONTACT: RICHARD L. SCHINDLER, P.E.
EMAIL: rich@cegi.com

PROJECT FOR:
LORSON, LLC
212 N. WAHSATCH AVE, SUITE 301
COLORADO SPRINGS, CO 80903
CONTACT: JEFF MARK

DRAWN: RLS
DESIGNED: RLS
CHECKED: RLS

LORSON RANCH EAST FIL. NO. 3
STREET / STORM SEWER
CONSTRUCTION PLANS



DATE: MARCH 6, 2019
PROJECT NO. 100.049
SHEET NUMBER C0.1
TOTAL SHEETS: 14

SF-19-003

CONSTRUCTION NOTES

- ALL WORK SHALL COMPLY WITH THE CODES AND POLICIES FOR EL PASO COUNTY.
- EXISTING TOPOGRAPHIC INFORMATION SHOWN ON THIS GRADING PLAN WAS OBTAINED FROM DREXEL, BARRELL & CO., JULY, 2005. SUPPLEMENTAL SURVEY DATA WAS OBTAINED FOR MARKSHEFFEL ROAD FROM M&S CIVIL GROUP IN NOVEMBER, 2016. THE CONTRACTOR SHALL BE RESPONSIBLE TO EXAMINE THE SITE AND BE FAMILIAR WITH THE EXISTING CONDITIONS.
- DEPTH OF MOISTURE-DENSITY CONTROL FOR THIS PROJECT SHALL BE AS FOLLOWS:
BASE OF ALL CUTS AND FILLS - 12 INCHES,
FULL DEPTH OF ALL EMBANKMENTS
- THE CONTRACTOR IS RESPONSIBLE FOR THE RE-ESTABLISHMENT OF ALL SURVEY MONUMENTS DISTURBED WITHIN THE PROJECT LIMITS.
- THE CONTRACTOR SHALL PROTECT ALL WORK AREAS AND FACILITIES FROM FLOODING AT ALL TIMES. AREAS AND FACILITIES SUBJECTED TO FLOODING, REGARDLESS OF THE SOURCE OF WATER, SHALL BE PROMPTLY DEWATERED AND RESTORED.
- PRIOR TO PAVING OPERATIONS, THE ENTIRE SUBGRADE SHALL BE PROOF-ROLLED WITH A LOADED 988 FRONT-END LOADER OR SIMILAR HEAVY RUBBER TIED VEHICLE (GVW OF 50,000 POUNDS WITH 18 KIP PER AXLE AT TIRE PRESSURES OF 90 PSI) TO DETECT ANY SOFT OR LOOSE AREAS. IN AREAS WHERE SOFT OR LOOSE SOILS, PUMPING OR EXCESSIVE MOVEMENT IS OBSERVED, THE EXPOSED MATERIALS SHALL BE OVER-EXCAVATED TO A MINIMUM DEPTH OF TWO FEET BELOW PROPOSED FINAL GRADE OR TO A DEPTH AT WHICH SOILS ARE STABLE. AFTER THIS HAS BEEN COMPLETED, THE EXPOSED MATERIALS SHALL BE SCARIFIED TO A DEPTH OF 12 INCHES AND MOISTURE CONDITIONED. THE SUBGRADE SHALL THEN BE UNIFORMLY COMPACTED TO A MINIMUM OF 95% OF STANDARD PROCTOR DENSITY (ASTM D-698) AT 0 TO +4.0% OF OPTIMUM MOISTURE CONTENT FOR A-6 AND A-7-6 SOILS ENCOUNTERED. OTHER SUBGRADE TYPES SHALL BE UNIFORMLY COMPACTED TO A MINIMUM OF 95% OF MODIFIED PROCTOR DENSITY (ASTM D-1557) AT PLUS OR MINUS 2.0% OF OPTIMUM MOISTURE CONTENT. AREAS WHERE STABLE NATURAL SOILS ARE ENCOUNTERED AT PROPOSED SUBGRADE ELEVATION SHALL ALSO BE SCARIFIED (18 INCHES FOR A-7-6 SOILS BELOW FULL-DEPTH ASPHALT CONCRETE) AND COMPACTED AS OUTLINED ABOVE PRIOR TO PAVING OPERATIONS. SUBGRADE FILL SHALL BE PLACED IN SIX-INCH LIFTS AND UNIFORMLY COMPACTED, MEETING THE REQUIREMENTS AS PREVIOUSLY DESCRIBED.
- SUBGRADE MATERIALS DEEMED UNSUITABLE BY THE ENGINEER SHALL BE EXCAVATED, DISPOSED OF AND REPLACED WITH APPROVED MATERIALS.
- FILL SHALL BE PLACED IN 8-INCH MAXIMUM LOOSE LIFTS AND SHALL BE COMPACTED PRIOR TO SUCCESSIVE LIFTS.
- THE CONTRACTOR IS RESPONSIBLE FOR PREVENTING AND CONTROLLING EROSION DURING CONSTRUCTION ACTIVITIES AT ALL TIMES DURING GRADING AND CONSTRUCTION. THE CONTRACTOR SHALL PROVIDE THE FOLLOWING EROSION AND SEDIMENT CONTROL MEASURES:
 - HAY BALE BARRIERS WHERE NEEDED AND/OR AS DIRECTED BY THE ENGINEER.
 - SILT FENCE WHERE NEEDED AND/OR AS DIRECTED BY THE ENGINEER.
 - TEMPORARY SEDIMENTATION BASINS WHERE NEEDED AND/OR AS DIRECTED BY THE ENGINEER.
 - MULCHING AND SEEDING OF EXCESSIVE SLOPED AREAS AS NEEDED OR AS DIRECTED BY THE ENGINEER.
 - TEMPORARY VEHICLE TRACKING CONTROL AS NEEDED AND/OR DIRECTED BY THE ENGINEER.
 - CONCRETE WASH AREAS.
 - INLET PROTECTION.
 THESE AND ALL EROSION CONTROL BEST MANAGEMENT PRACTICES AS SHOWN IN THE GRADING AND EROSION CONTROL PLANS SHALL BE STRICTLY ADHERED TO.
- FINISHED CONTOURS/SPOT ELEVATIONS SHOWN HEREON REPRESENT FINISHED GRADES. ALL PAVEMENT SUBGRADES ARE BASED ON THE COMPOSITE ASPHALT PAVEMENT RECOMMENDATIONS MADE IN THE "GEOTECHNICAL STUDY" FOR LORSON RANCH.

EL PASO COUNTY STANDARD CONSTRUCTION NOTES:

- ALL DRAINAGE AND ROADWAY CONSTRUCTION SHALL MEET THE STANDARDS AND SPECIFICATIONS OF THE CITY OF COLORADO SPRINGS/EL PASO COUNTY DRAINAGE CRITERIA MANUAL, VOLUMES 1 AND 2, AND THE EL PASO COUNTY ENGINEERING CRITERIA MANUAL.
- CONTRACTOR SHALL BE RESPONSIBLE FOR THE NOTIFICATION AND FIELD NOTIFICATION OF ALL EXISTING UTILITIES, WHETHER SHOWN ON THE PLANS OR NOT, BEFORE BEGINNING CONSTRUCTION. LOCATION OF EXISTING UTILITIES SHALL BE VERIFIED BY THE CONTRACTOR PRIOR TO CONSTRUCTION. CALL 811 TO CONTACT THE UTILITY NOTIFICATION CENTER OF COLORADO (UNCC).
- CONTRACTOR SHALL KEEP A COPY OF THESE APPROVED PLANS, THE GRADING AND EROSION CONTROL PLAN, THE STORMWATER MANAGEMENT PLAN (SWMP), THE SOILS AND GEOTECHNICAL REPORT, AND THE APPROPRIATE DESIGN AND CONSTRUCTION STANDARDS AND SPECIFICATIONS AT THE JOB SITE AT ALL TIMES, INCLUDING THE FOLLOWING:
 - EL PASO COUNTY ENGINEERING CRITERIA MANUAL (ECM)
 - CITY OF COLORADO SPRINGS/EL PASO COUNTY DRAINAGE CRITERIA MANUAL, VOLUMES 1 AND 2
 - COLORADO DEPARTMENT OF TRANSPORTATION (CDOT) STANDARD SPECIFICATIONS FOR ROAD AND BRIDGE CONSTRUCTION
 - CDOT M & S STANDARDS
- NOTWITHSTANDING ANYTHING DEPICTED IN THESE PLANS IN WORDS OR GRAPHIC REPRESENTATION, ALL DESIGN AND CONSTRUCTION RELATED TO ROADS, STORM DRAINAGE AND EROSION CONTROL SHALL CONFORM TO THE STANDARDS AND REQUIREMENTS OF THE MOST RECENT VERSION OF THE RELEVANT ADOPTED EL PASO COUNTY STANDARDS, INCLUDING THE LAND DEVELOPMENT CODE, THE ENGINEERING CRITERIA MANUAL, THE DRAINAGE CRITERIA MANUAL, AND THE DRAINAGE CRITERIA MANUAL VOLUME 2. ANY DEVIATIONS FROM REGULATIONS AND STANDARDS MUST BE REQUESTED, AND APPROVED, IN WRITING. ANY MODIFICATIONS NECESSARY TO MEET CRITERIA AFTER-THE-FACT WILL BE ENTIRELY THE DEVELOPER'S RESPONSIBILITY TO RECTIFY.
- IT IS THE DESIGN ENGINEER'S RESPONSIBILITY TO ACCURATELY SHOW EXISTING CONDITIONS, BOTH ONSITE AND OFFSITE, ON THE CONSTRUCTION PLANS. ANY MODIFICATIONS NECESSARY DUE TO CONFLICTS, OMISSIONS, OR CHANGED CONDITIONS WILL BE ENTIRELY THE DEVELOPER'S RESPONSIBILITY TO RECTIFY.
- CONTRACTOR SHALL SCHEDULE A PRE-CONSTRUCTION MEETING WITH PLANNING AND COMMUNITY DEVELOPMENT (PCD) - INSPECTIONS, PRIOR TO STARTING CONSTRUCTION.
- IT IS THE CONTRACTOR'S RESPONSIBILITY TO UNDERSTAND THE REQUIREMENTS OF ALL JURISDICTIONAL AGENCIES AND TO OBTAIN ALL REQUIRED PERMITS, INCLUDING BUT NOT LIMITED TO EL PASO COUNTY EROSION AND STORMWATER QUALITY CONTROL PERMIT (ESQCP), REGIONAL BUILDING FLOODPLAIN DEVELOPMENT PERMIT, U.S. ARMY CORPS OF ENGINEERS-ISSUED 401 AND/OR 404 PERMITS, AND COUNTY AND STATE FUGITIVE DUST PERMITS.
- CONTRACTOR SHALL NOT DEVIATE FROM THE PLANS WITHOUT FIRST OBTAINING WRITTEN APPROVAL FROM THE DESIGN ENGINEER AND PCD. CONTRACTOR SHALL NOTIFY THE DESIGN ENGINEER IMMEDIATELY UPON DISCOVERY OF ANY ERRORS OR INCONSISTENCIES.
- ALL STORM DRAIN PIPE SHALL BE CLASS III RCP UNLESS OTHERWISE NOTED AND APPROVED BY PCD.
- CONTRACTOR SHALL COORDINATE GEOTECHNICAL TESTING PER ECM STANDARDS. PAVEMENT DESIGN SHALL BE APPROVED BY EL PASO COUNTY PCD PRIOR TO PLACEMENT OF CURB AND GUTTER AND PAVEMENT.
- ALL CONSTRUCTION TRAFFIC MUST ENTER/EXIT THE SITE AT APPROVED CONSTRUCTION ACCESS POINTS.
- SIGHT VISIBILITY TRIANGLES AS IDENTIFIED IN THE PLANS SHALL BE PROVIDED AT ALL INTERSECTIONS. OBSTRUCTIONS GREATER THAN 18 INCHES ABOVE FLOWLINE ARE NOT ALLOWED WITHIN SIGHT TRIANGLES.
- SIGNING AND STRIPING SHALL COMPLY WITH EL PASO COUNTY PUBLIC WORKS DEPARTMENT AND MUTCD CRITERIA.
- CONTRACTOR SHALL OBTAIN ANY PERMITS REQUIRED BY EL PASO COUNTY PUBLIC WORKS DEPARTMENT, INCLUDING WORK WITHIN THE RIGHT-OF-WAY AND SPECIAL TRANSPORT PERMITS.
- THE LIMITS OF CONSTRUCTION SHALL REMAIN WITHIN THE PROPERTY LINE UNLESS OTHERWISE NOTED. THE OWNER/DEVELOPER SHALL OBTAIN WRITTEN PERMISSION AND EASEMENTS, WHERE REQUIRED, FROM ADJOINING PROPERTY OWNER(S) PRIOR TO ANY OFF-SITE DISTURBANCE, GRADING, OR CONSTRUCTION.

STORM SEWER NOTES:

- CONTRACTOR SHALL USE "TYLOX SUPER SEAL" OR APPROVED EQUJ JOINT GASKET FOR ALL RCP STORM SEWER JOINTS

CORE ENGINEERING GROUP
15004 1ST AVENUE S.
BURNSVILLE, MN 55306
PH: 719.570.1100
CONTACT: RICHARD L. SCHINDLER, P.E.
EMAIL: Rich@cegi.com

DATE: _____
DESCRIPTION: _____
NO: _____
PREPARED FOR: LORSON, LLC
212 N. WASHATCH AVE., SUITE 301
COLORADO SPRINGS, CO 80903
CONTACT: JEFF MARK

PROJECT: LORSON RANCH EAST
FILING NO. 3
LAMPREY DR - YAMHILL DR
COLORADO SPRINGS, COLORADO

DRAWN: RLS
DESIGNED: RLS
CHECKED: RLS

**LORSON RANCH EAST FILING NO. 3
STREET / STORM SEWER
NOTES**

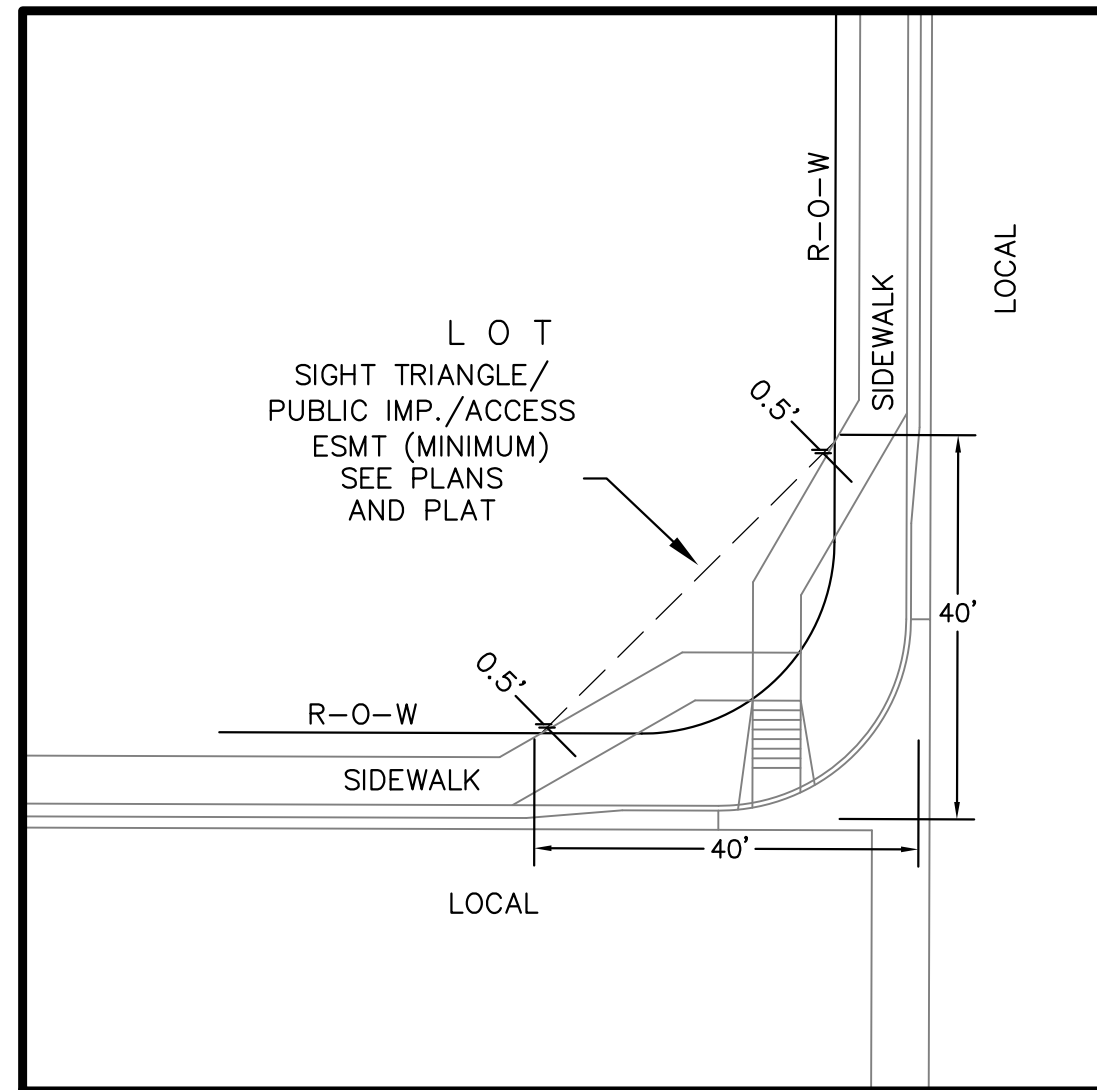


DATE: MARCH 6, 2019

PROJECT NO. 100.049

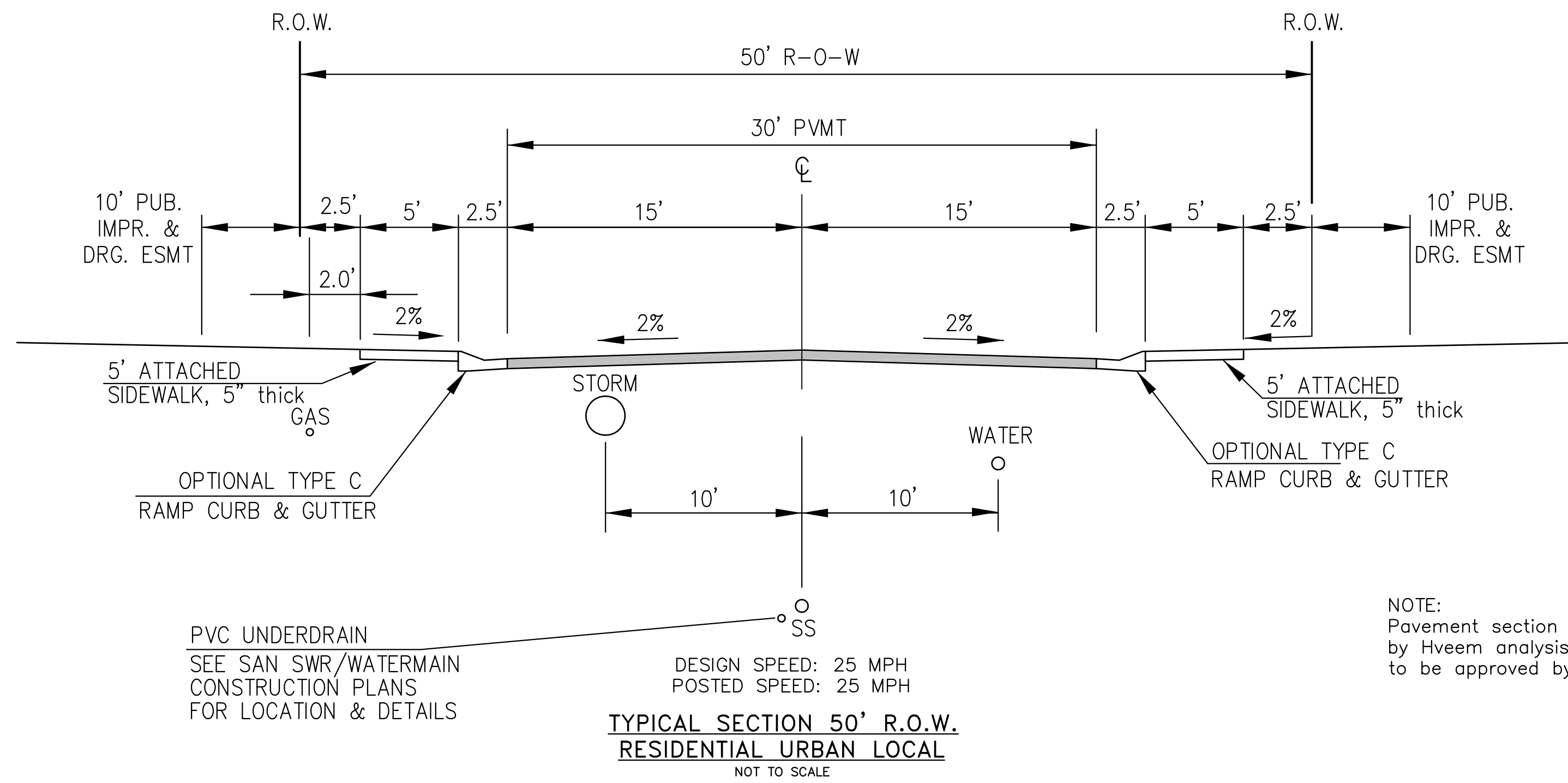
SHEET NUMBER C1.2

TOTAL SHEETS: 14



**LOCAL ROADWAY SIGHT TRIANGLE
PUBLIC IMPROVEMENT ESMT.**
NOT TO SCALE

NOTE:
ADDITIONAL PUBLIC IMPROVEMENT EASEMENTS ARE REQUIRED WHERE
SIDEWALK ENCROACHES INTO THE PRIVATE LOTS. SEE CONSTRUCTION DRAWINGS
AND THE FINAL PLAT. SEE CONSTRUCTION DRAWINGS AND PLAT FOR SIGHT TRIANGLES



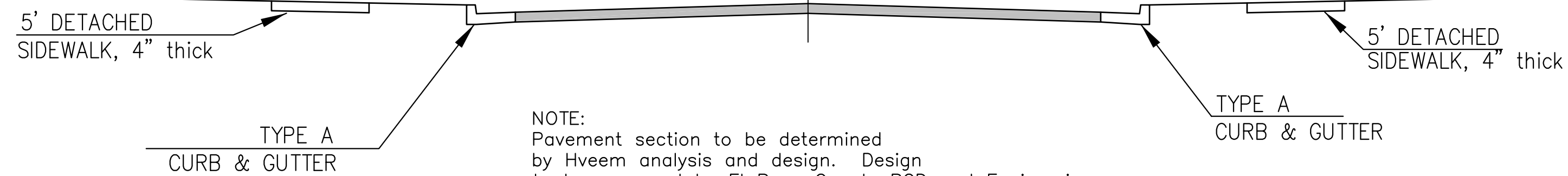
MUMFORD DRIVE, NAPA DRIVE, HALIFAX DRIVE, YAMHILL DRIVE

**TYPICAL SECTION 50' R.O.W.
RESIDENTIAL URBAN LOCAL**
NOT TO SCALE

NOTE:
Pavement section to be determined
by Hveem analysis and design. Design
to be approved by El Paso County PCD Engineering

PVC UNDERDRAIN
SEE SAN SWR/WATERMAIN
CONSTRUCTION PLANS
FOR LOCATION & DETAILS

DESIGN SPEED: 25 MPH
POSTED SPEED: 25 MPH



NOTE:
Pavement section to be determined
by Hveem analysis and design. Design
to be approved by El Paso County PCD and Engineering

DESIGN SPEED: 40MPH

**TYPICAL SECTION 60' R.O.W.
RESIDENTIAL URBAN COLLECTOR**
NOT TO SCALE

LAMPREY DRIVE

**CORE
ENGINEERING GROUP**
15004 1ST AVENUE S.
BURNSVILLE, MN 55306
PH: 719.570.1100
CONTACT: RICHARD L. SCHINDLER, P.E.
EMAIL: Rich@cegi.com

DATE: _____
DESCRIPTION: _____
NO: _____
PREPARED FOR:
LORSON, LLC
212 N. WASHACHE AVE., SUITE 301
COLORADO SPRINGS, CO 80903
CONTACT: JEFF MARK

PROJECT:
LORSON RANCH EAST
FILING NO. 3
LAMPREY DR - YAMHILL DR
COLORADO SPRINGS, COLORADO

DRAWN: RLS
DESIGNED: RLS
CHECKED: RLS

TYPICAL SECTIONS



DATE:
MARCH 6, 2019

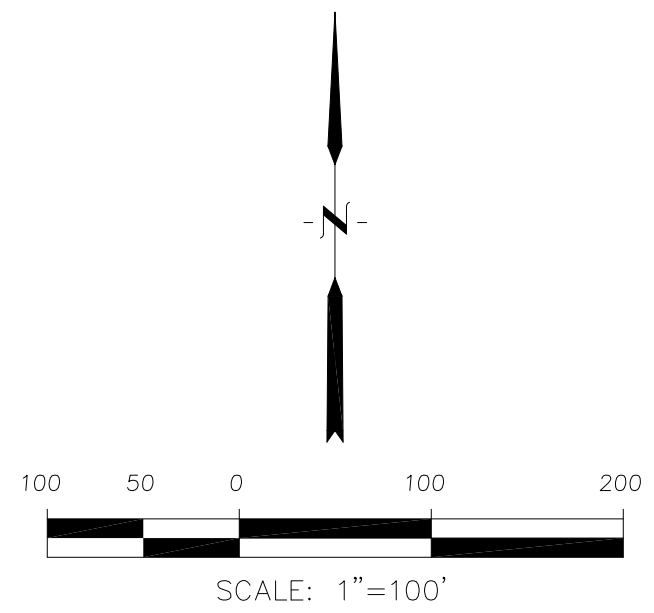
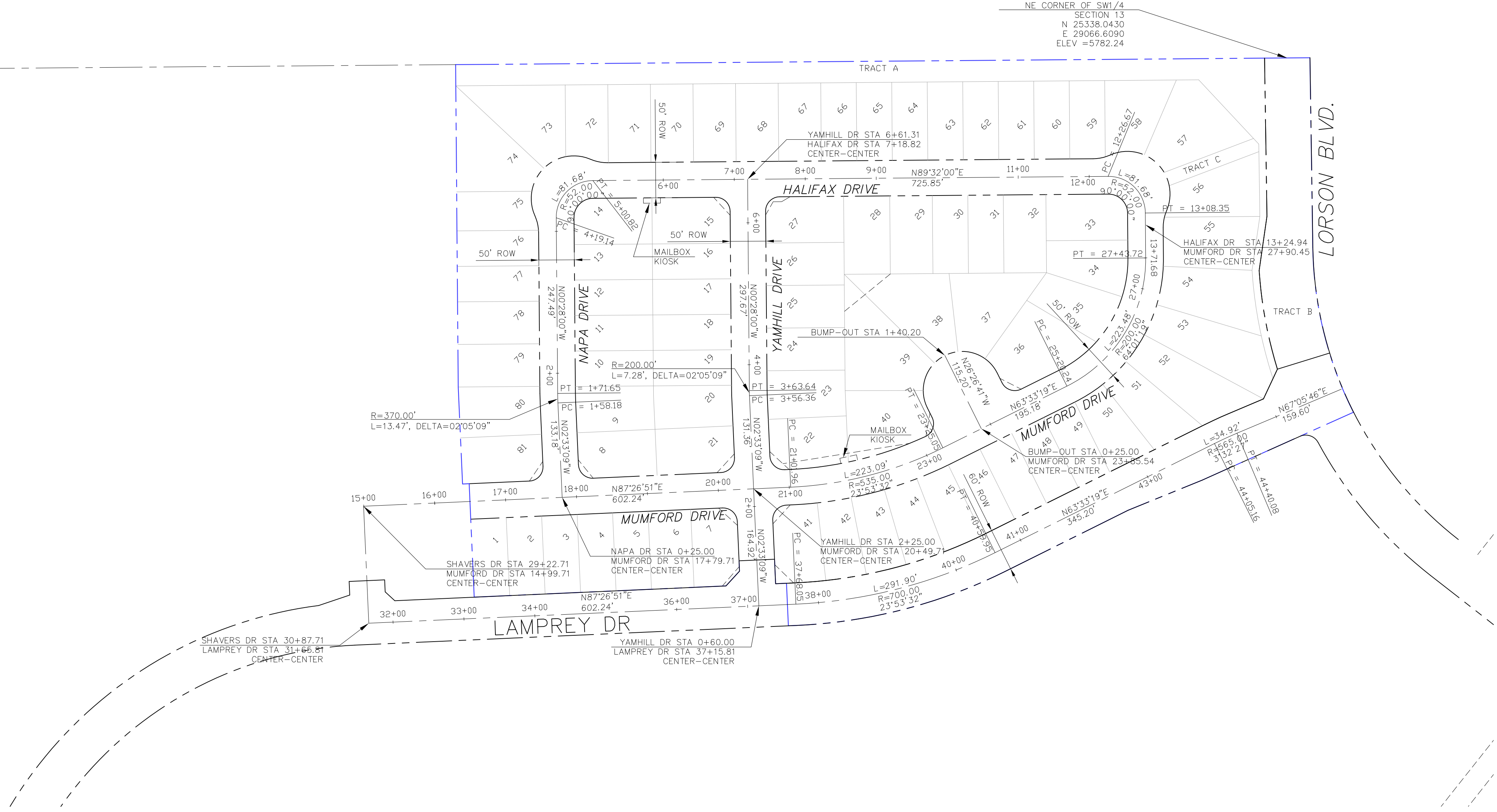
PROJECT NO.
100.049

SHEET NUMBER
C1.3

TOTAL SHEETS: 14

NE CORNER OF SE1/4
SECTION 14
N 25316.7240
E 26412.4600
ELEV = 5726.05

NE CORNER OF SW1/4
SECTION 13
N 25338.0430
E 29066.6090
ELEV = 5782.24



CORE
ENGINEERING GROUP
15004 1ST AVENUE S,
DENVER, CO 80202
PHONE: 719.570.1100
CONTACT: RICHARD L. SCHINDLER, P.E.
EMAIL: Rich@ceg1.com

NO. _____ DATE _____
DESCRIPTION _____
DRAWN: RLS
DESIGNED: RLS
CHECKED: RLS

PROJECT FOR:
LORSON RANCH EAST
FILING NO. 3
LAMPREY DR - YAMHILL DR
COLORADO SPRINGS, COLORADO

PREPARED FOR:
LORSON, LLC
212 N. WAHSATCH AVE, SUITE 301
COLORADO SPRINGS, COLORADO 80903
(719) 635-3200
CONTACT: JEFF MARK



DATE:
MARCH 6, 2019

PROJECT NO.
100.049

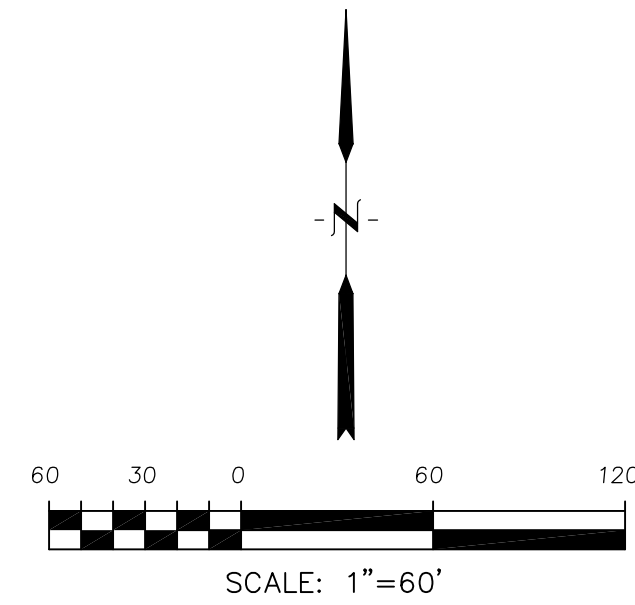
SHEET NUMBER
C2.1

TOTAL SHEETS: 14

LORSON RANCH EAST FILING NO. 3
HORIZONTAL CONTROL PLAN

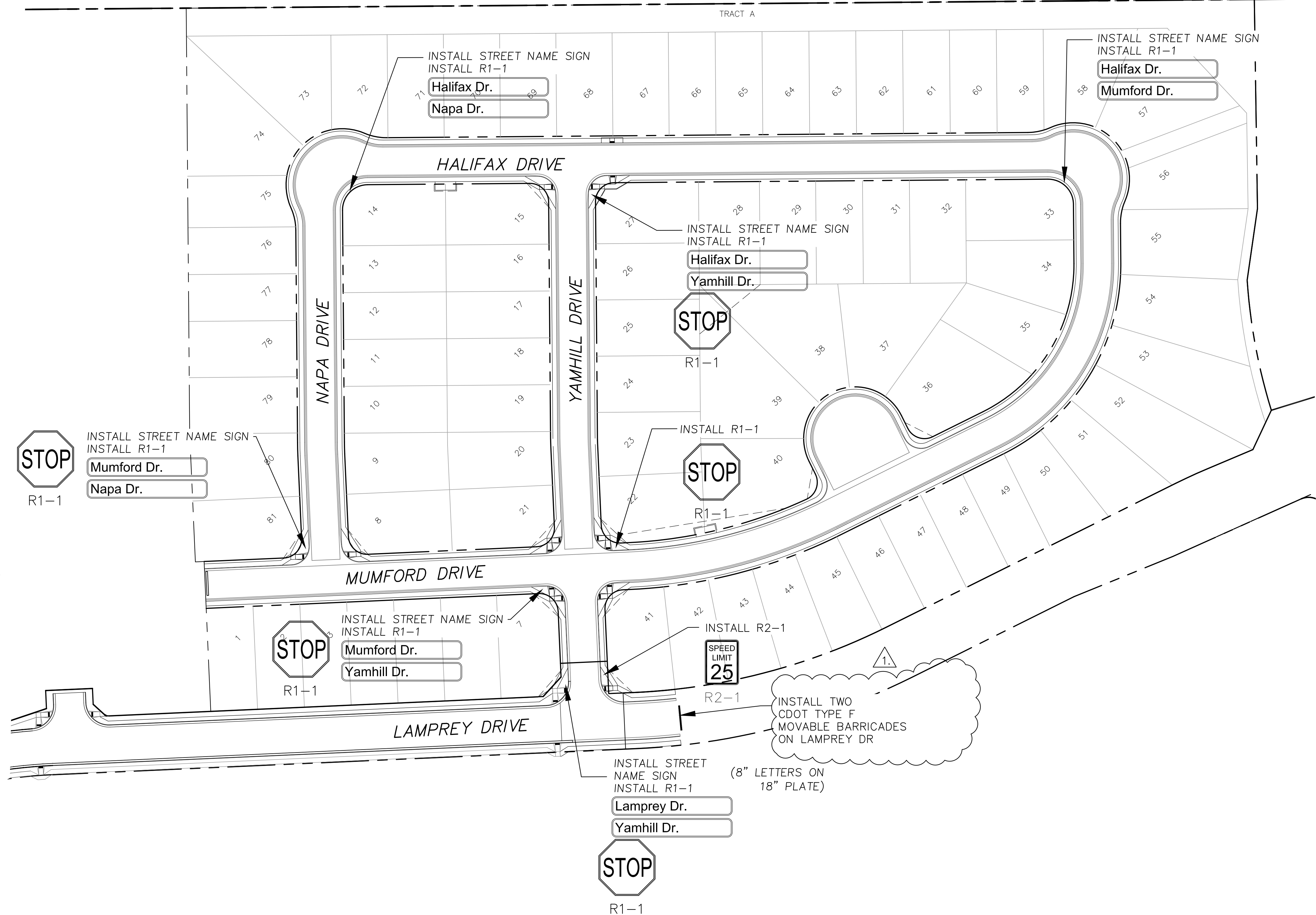
Notes:

- Contractor must submit shop drawings to the engineer and to the county for approval prior to ordering signs



Signing and Striping Notes:

- All signs and pavement markings shall be in compliance with the current Manual on Uniform Traffic Control Devices (MUTCD).
- Removal of existing pavement markings shall be accomplished by a method that does not materially damage the pavement. The pavement markings shall be removed to the extent that they will not be visible under day or night conditions. At no time will it be acceptable to paint over existing pavement markings.
- Any deviation from the striping and signing plan shall be approved by El Paso County Planning and Community Development. All signs shown on the signing and striping plan shall be new signs. Existing signs may remain or be reused if they meet current El Paso County Public Works Department and MUTCD standards.
- Street name and regulatory stop signs shall be on the same post at intersections.
- All removed signs shall be disposed of in a proper manner by the contractor.
- All street name signs shall have "D" series letters, with local roadway signs being 4" upper-lower case lettering on 8" blank and non-local roadway signs being 6" lettering, upper-lower case on 12" blank, with a white border that is not recessed. Multi-lane roadways with speed limits of 40 mph or higher shall have 8" upper-lower case lettering on 18" blank with a white border that is not recessed. The width of the non-recessed white borders shall match page 255 of the 2012 MUTCD "Standard Highway Signs".
- All traffic signs shall have a minimum High Intensity Prismatic grade sheeting.
- All local residential street signs shall be mounted on a 1.75" x 1.75" square tube sign post and stub post base. For other applications, refer to the CDOT Standard S-614-8 regarding use of the P2 tubular steel post slipbase design.
- All signs shall be single sheet aluminum with 0.100" minimum thickness.
- All limit lines/stop lines, crosswalk lines, pavement legends, and arrows shall be a minimum 125 mil thickness preformed thermoplastic pavement markings with tapered leading edges per CDOT Standard S-627-1. Word and symbol markings shall be the narrow type. Stop bars shall be 24" in width. Crosswalks lines shall be 12" wide and 8' long per CDOT S-627-1.
- All longitudinal lines shall be a minimum 15mil thickness epoxy paint. All non-local residential roadways shall include both right and left edge line striping and any additional striping as required by CDOT S-627-1.
- The contractor shall notify El Paso County Planning and Community Development (719) 520-6819 prior to and upon completion of signing and striping.
- The contractor shall obtain a work in the right of way permit from the El Paso County Public Works Department prior to any signage or striping work within an existing El Paso County roadway.



CORE
ENGINEERING GROUP
 15004 1ST AVENUE S.
 SUITE 100, FLD. 35506
 BLDG. 719 570 1100
 CONTACT: RICHARD L. SCHINDLER, P.E.
 EMAIL: Rich@eg1.com

DATE: 4/9/2019
 DESCRIPTION: ADD MOVABLE CDOT TYPE F BARRICADES ON LAMPREY DR.
 PREPARED FOR: **LORSON RANCH EAST**
FILING NO. 3
 LAMPREY DR. - YAMHILL DR.
 COLORADO SPRINGS, COLORADO
 PROJECT: **LORSON, LLC**
 212 N. WAHSATCH AVE, SUITE 301
 COLORADO SPRINGS, COLORADO 80903
 (719) 635-3200
 CONTACT: JEFF MARK

DRAWN: RLS
 DESIGNED: RLS
 CHECKED: RLS

SIGNING AND STRIPING PLAN
LORSON RANCH EAST FILING NO. 3



DATE: MARCH 6, 2019

PROJECT NO. 100.049

SHEET NUMBER C5.1

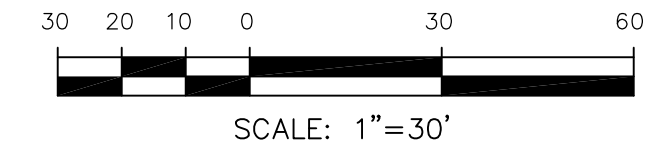
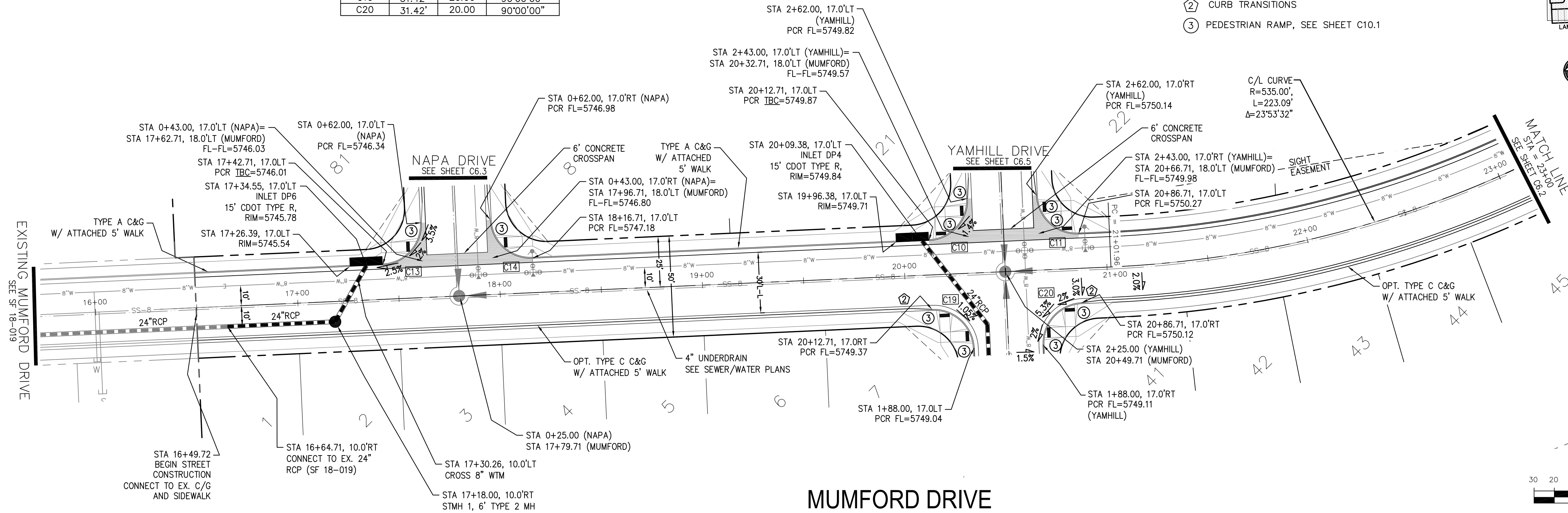
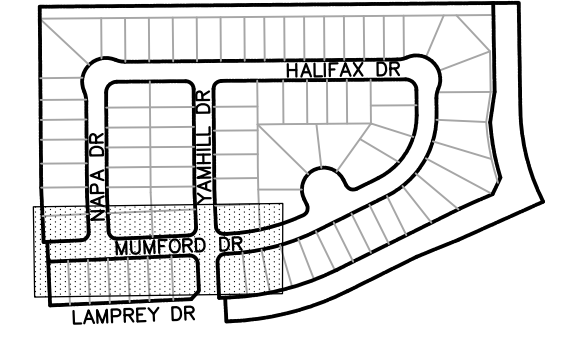
TOTAL SHEETS: 14

CURVE TABLE			
CURVE	LENGTH	RADIUS	DELTA
C10	31.42'	20.00	90°00'00"
C11	31.42'	20.00	90°00'00"
C13	31.42'	20.00	90°00'00"
C14	31.42'	20.00	90°00'00"
C19	31.42'	20.00	90°00'00"
C20	31.42'	20.00	90°00'00"

NOTES

1. ALL SPOT ELEVATIONS ARE FLOW LINE UNLESS OTHERWISE NOTED.
2. SEE GRADING PLAN FOR GRADING INFORMATION.
3. ALL STORM SEWER SHALL BE CLASS III RCP.
4. ALL MHS SHALL BE TYPE 1 UNLESS OTHERWISE NOTED.

- ① CURVE DATA ID
- ② CURB TRANSITIONS
- ③ PEDESTRIAN RAMP, SEE SHEET C10.1



CORE ENGINEERING GROUP
 15004 1ST AVENUE S.
 BLDG 79 870 1100
 COLORADO SPRINGS, COLORADO 80903
 CONTACT: RICHARD L. SCHINDLER, P.E.
 EMAIL: Rich@cegi.com

DATE: _____

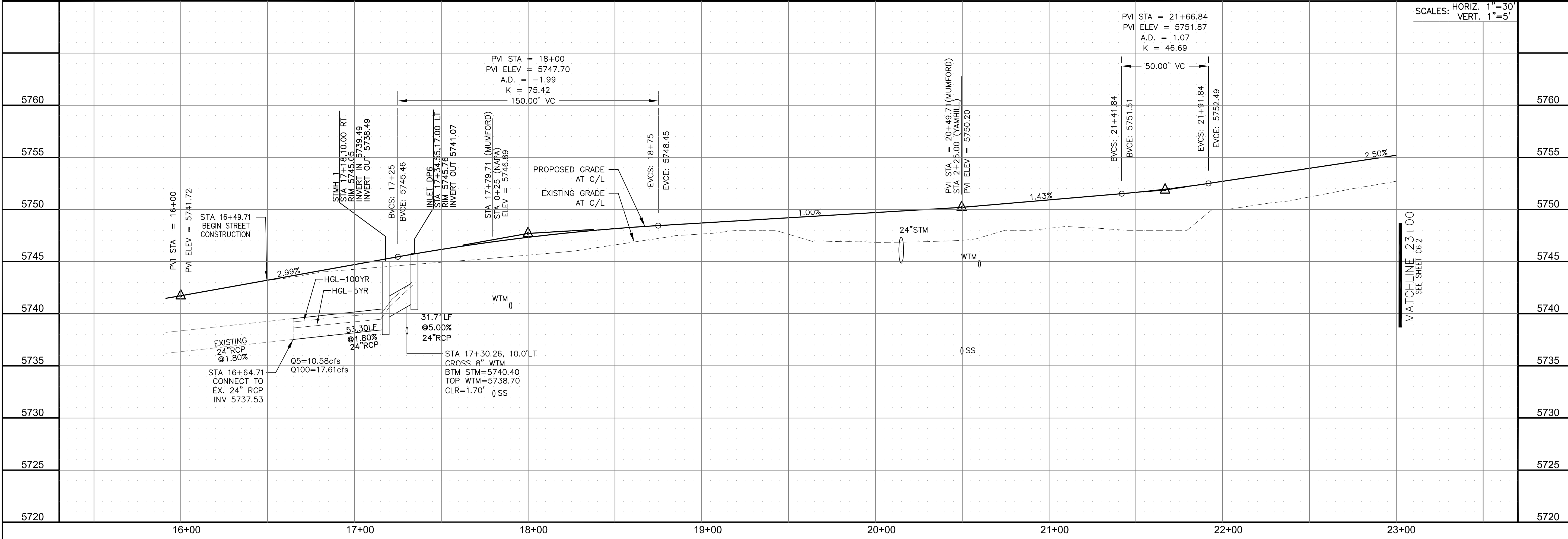
DESCRIPTION: _____

NO. _____

PROJECT: **LORSON RANCH EAST**
 212 N. WAHSATCH AVE., SUITE 301
 COLORADO SPRINGS, COLORADO 80903
 LAMPREY DR - YAMHILL DR
 COLORADO SPRINGS, COLORADO
 CONTACT: JEFF MARK

PREPARED FOR: **LORSON, LLC**
 212 N. WAHSATCH AVE., SUITE 301
 COLORADO SPRINGS, COLORADO 80903
 CONTACT: JEFF MARK

DRAWN: RLS
 DESIGNED: RLS
 CHECKED: RLS



STREET/STORM
MUMFORD DRIVE
STA 16+49 TO 23+00

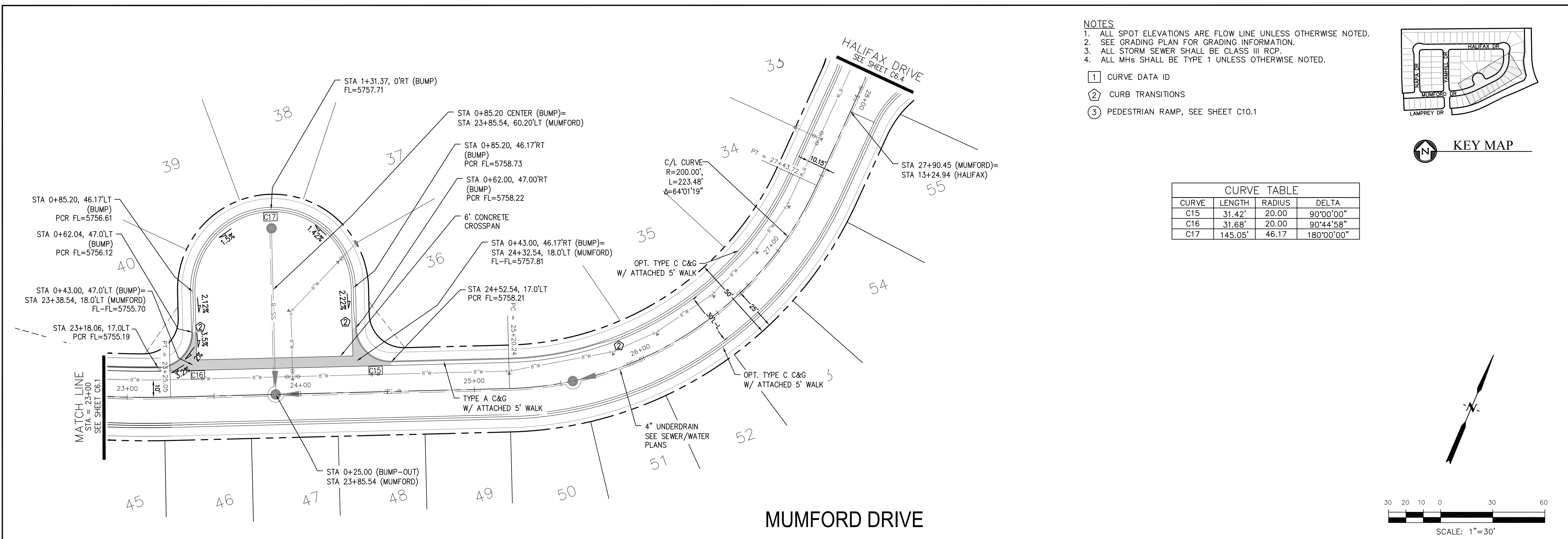


DATE: MARCH 6, 2019

PROJECT NO. 100.049

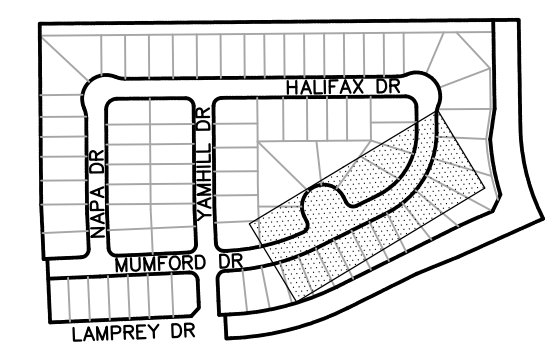
SHEET NUMBER C6.1

TOTAL SHEETS: 14

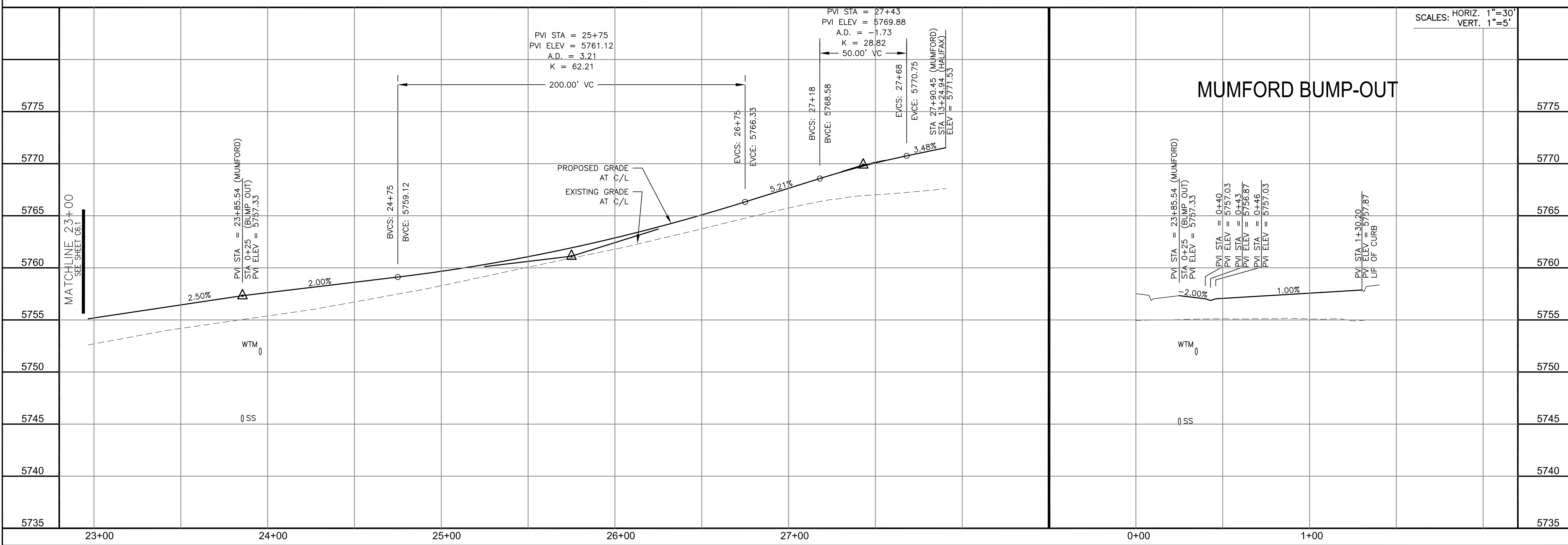
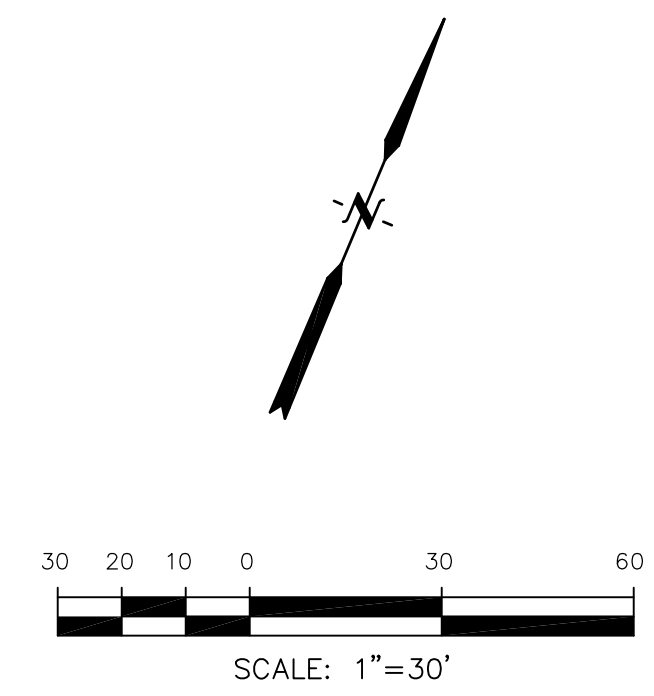


- NOTES**
- ALL SPOT ELEVATIONS ARE FLOW LINE UNLESS OTHERWISE NOTED.
 - SEE GRADING PLAN FOR GRADING INFORMATION.
 - ALL STORM SEWER SHALL BE CLASS III RCP.
 - ALL MHS SHALL BE TYPE 1 UNLESS OTHERWISE NOTED.

- ① CURVE DATA ID
- ② CURB TRANSITIONS
- ③ PEDESTRIAN RAMP, SEE SHEET C10.1



CURVE TABLE			
CURVE	LENGTH	RADIUS	DELTA
C15	31.42'	20.00	90°00'00"
C16	31.68'	20.00	90°14'58"
C17	145.05'	46.17	180°00'00"



CORE ENGINEERING GROUP
 15004 1ST AVENUE S.
 BIRMGHAM, AL 35206
 PHONE: 205.970.1100
 CONTACT: RICHARD L. SCHINDLER, P.E.
 EMAIL: Rich@cegi.com

DATE: _____
 DESCRIPTION: _____
 NO: _____

PREPARED FOR:
LORSON, LLC
 212 N. WAHSATCH AVE., SUITE 301
 COLORADO SPRINGS, COLORADO 80903
 PROJECT:
LORSON RANCH EAST
 FILING NO. 3
 LAMPREY DR. - YAMHILL DR
 COLORADO SPRINGS, COLORADO
 CONTACT: JEFF MARK

DRAWN: RLS
 DESIGNED: RLS
 CHECKED: RLS

STREET/STORM
 MUMFORD DRIVE
 STA 23+00 TO 27+90

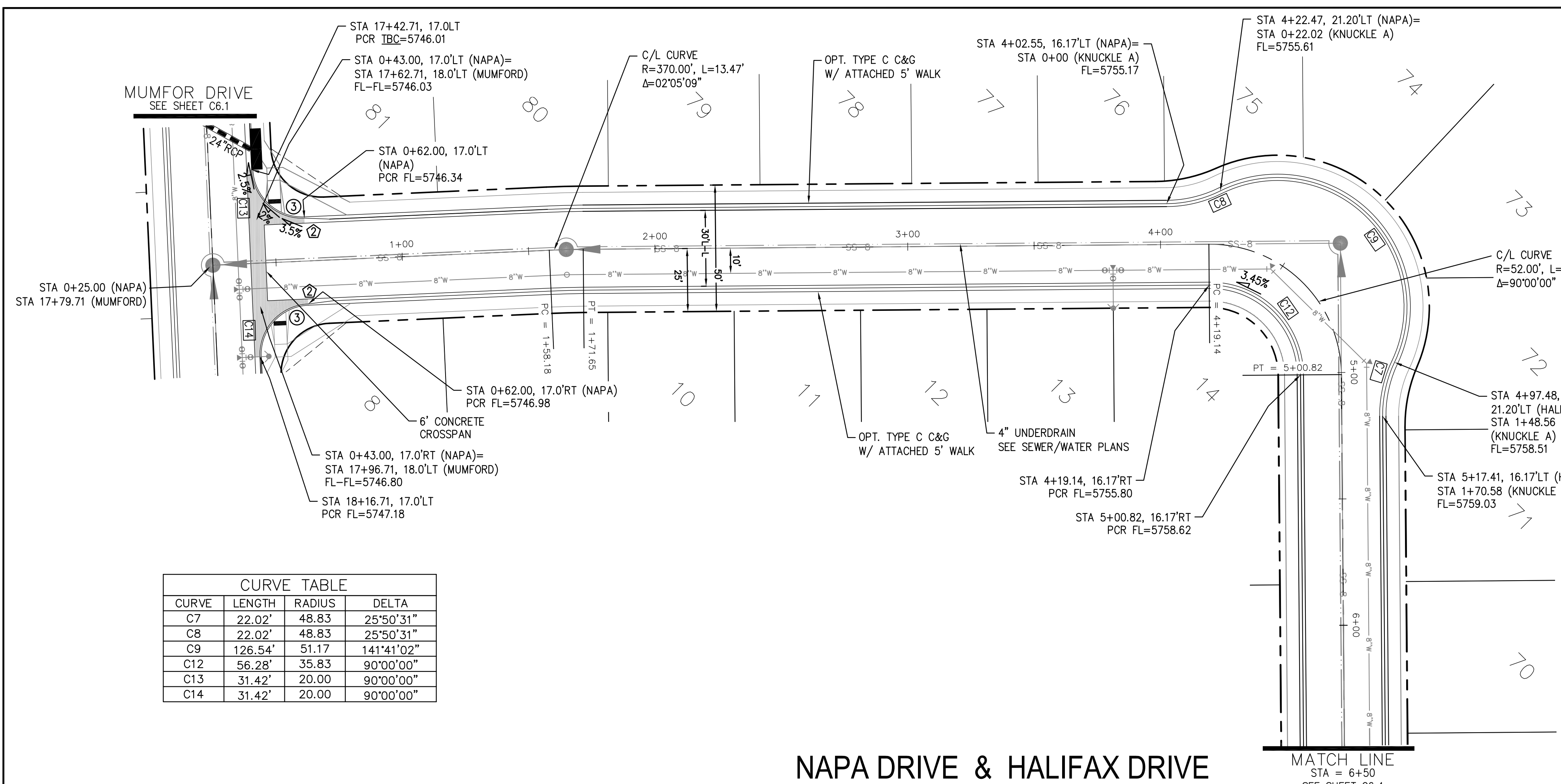


DATE:
 MARCH 6, 2019

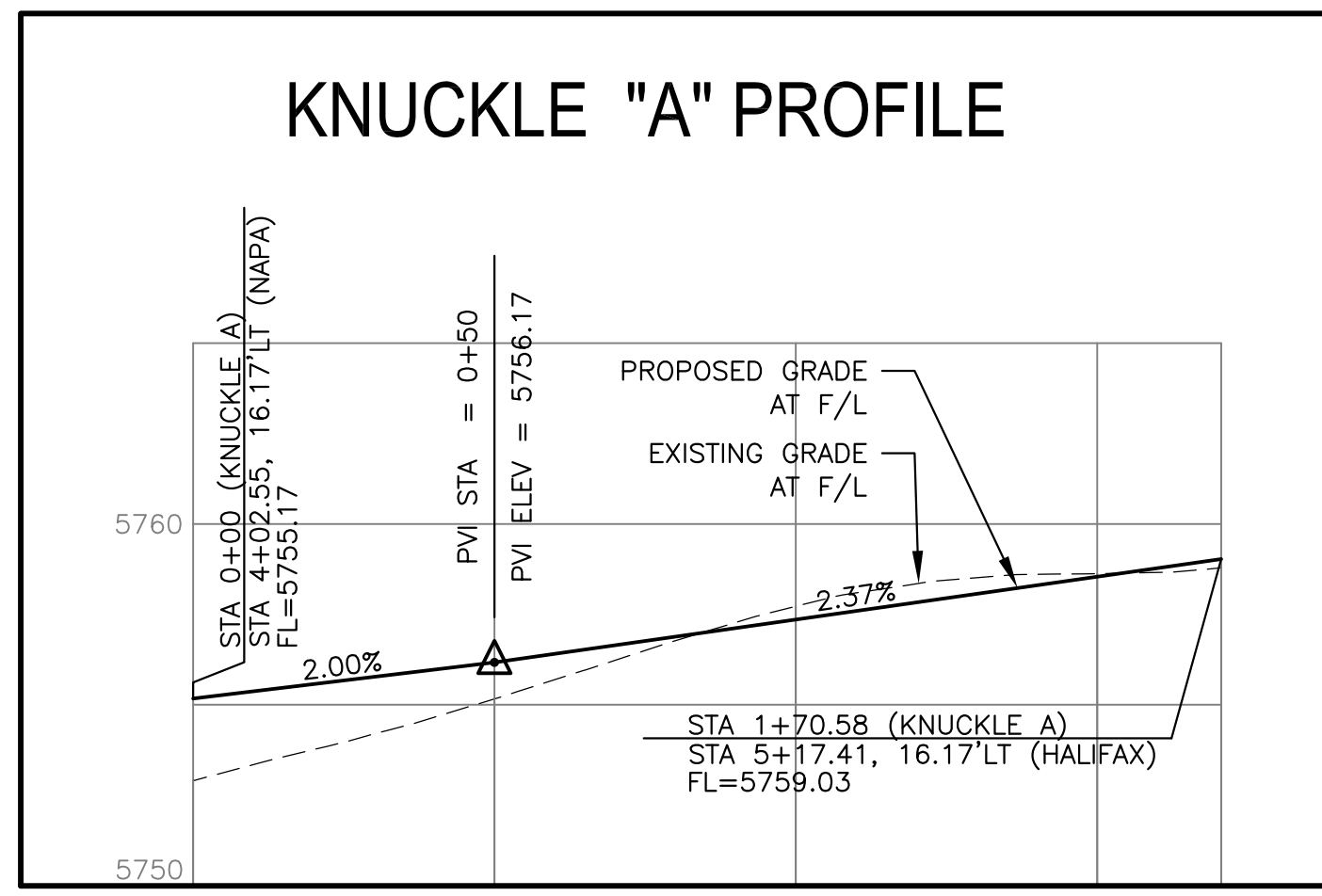
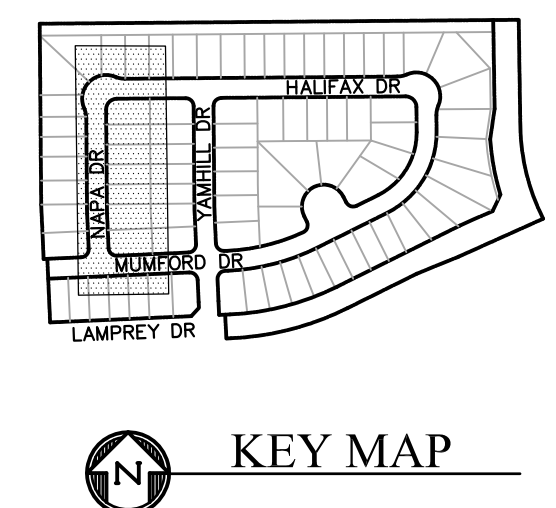
PROJECT NO.
 100.049

SHEET NUMBER
 C6.2

TOTAL SHEETS: 14

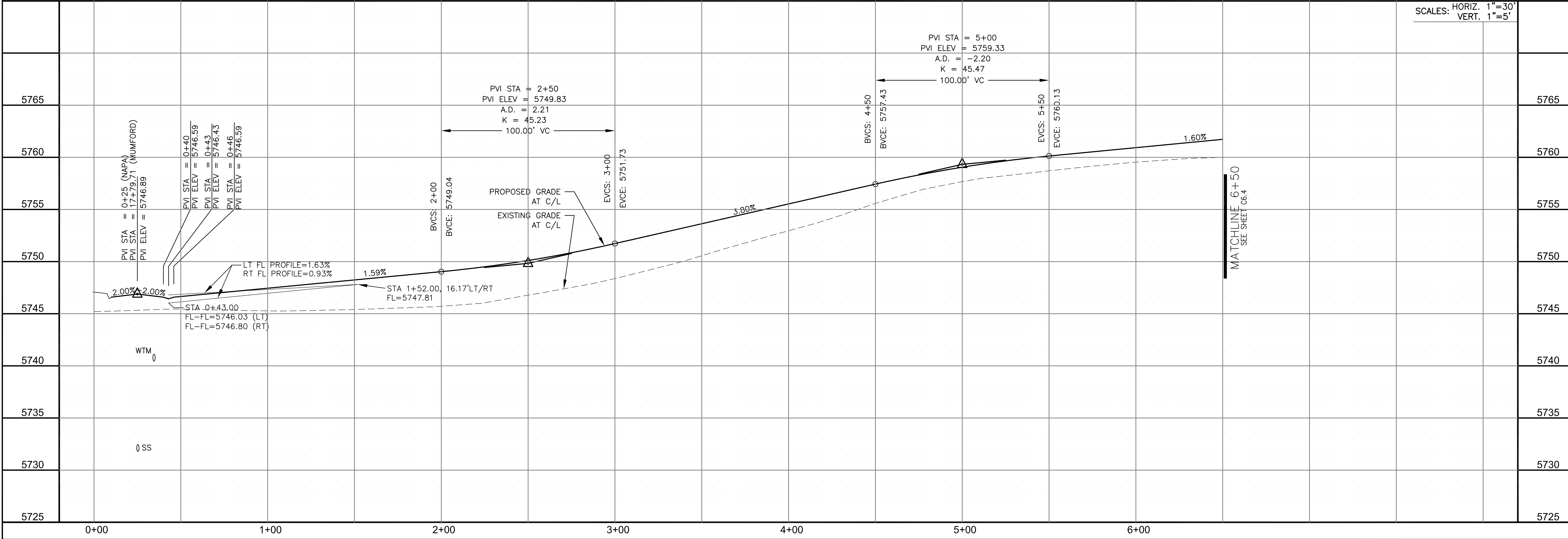


- NOTES**
1. ALL SPOT ELEVATIONS ARE FLOW LINE UNLESS OTHERWISE NOTED.
 2. SEE GRADING PLAN FOR GRADING INFORMATION.
 3. ALL STORM SEWER SHALL BE CLASS III RCP.
 4. ALL MHS SHALL BE TYPE 1 UNLESS OTHERWISE NOTED.
- ① CURVE DATA ID
 - ② CURB TRANSITIONS
 - ③ PEDESTRIAN RAMP, SEE SHEET C10.1



CURVE TABLE			
CURVE	LENGTH	RADIUS	DELTA
C7	22.02'	48.83	25°50'31"
C8	22.02'	48.83	25°50'31"
C9	126.54'	51.17	141°41'02"
C12	56.28'	35.83	90°00'00"
C13	31.42'	20.00	90°00'00"
C14	31.42'	20.00	90°00'00"

NAPA DRIVE & HALIFAX DRIVE



CORE ENGINEERING GROUP
 15004 1ST AVENUE S.
 BIRMGHAM, AL 35206
 PHONE: 205.970.1100
 CONTACT: RICHARD L. SCHINDLER, P.E.
 EMAIL: Rich@cegi.com

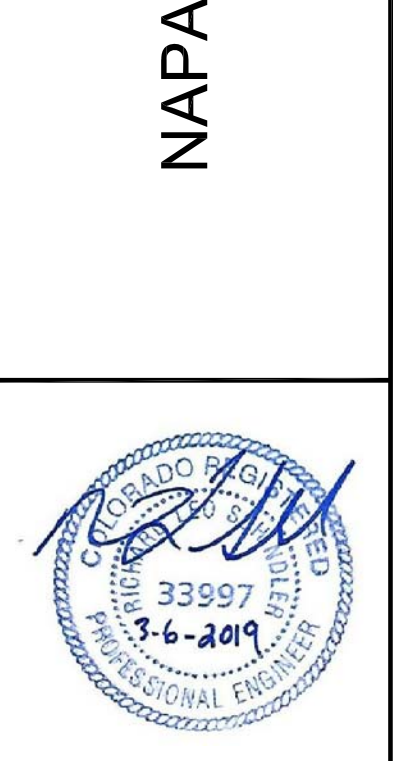
DATE: _____
 DESCRIPTION: _____
 NO.: _____

PREPARED FOR: **LORSON, LLC**
 212 N. WAHSATCH AVE., SUITE 301
 COLORADO SPRINGS, COLORADO 80903
 CONTACT: JEFF MARK

PROJECT: **LORSON RANCH EAST**
FILING NO. 3
 LAMPREY DR - YAMHILL DR
 COLORADO SPRINGS, COLORADO

DRAWN: RLS
 DESIGNED: RLS
 CHECKED: RLS

STREET/STORM
NAPA DRIVE & HALIFAX DRIVE
STA 0+25 TO 6+50

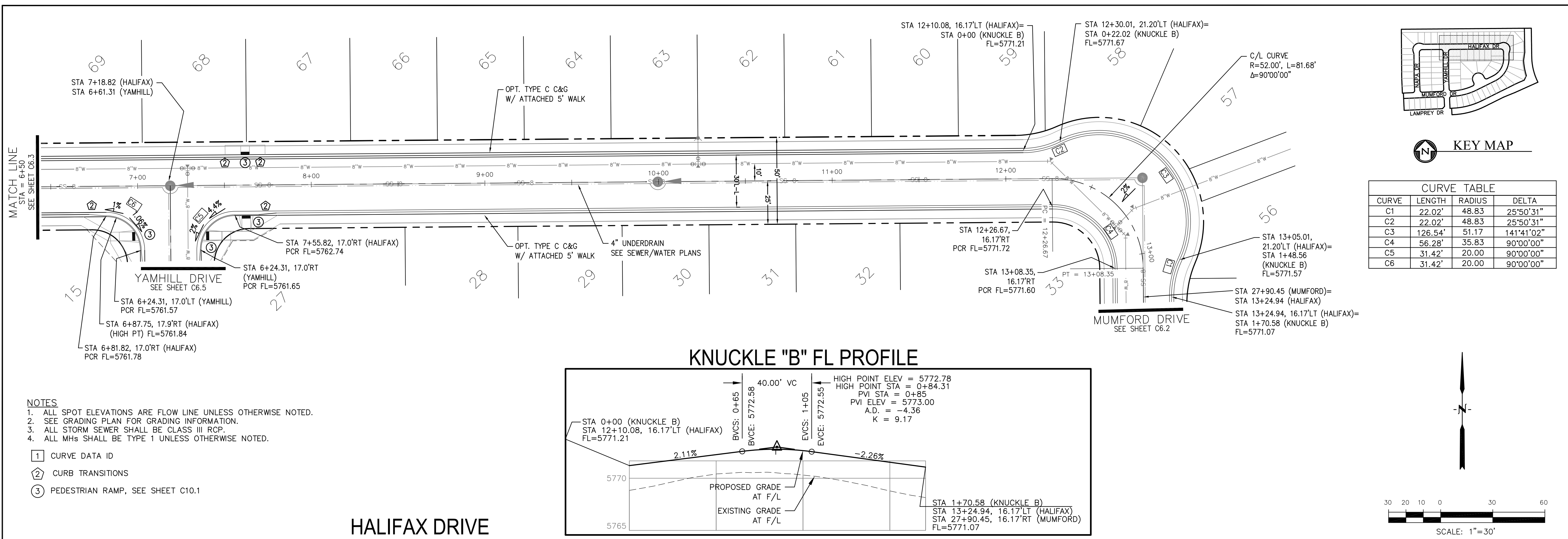


DATE: MARCH 6, 2019

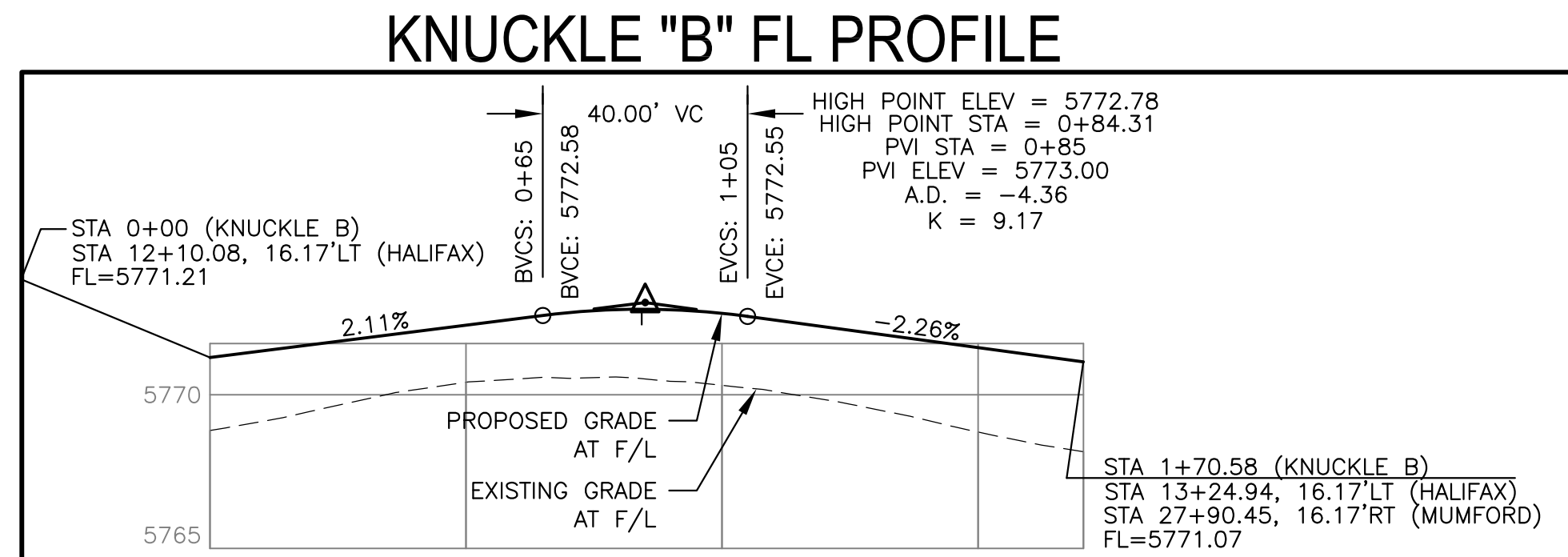
PROJECT NO. 100.049

SHEET NUMBER C6.3

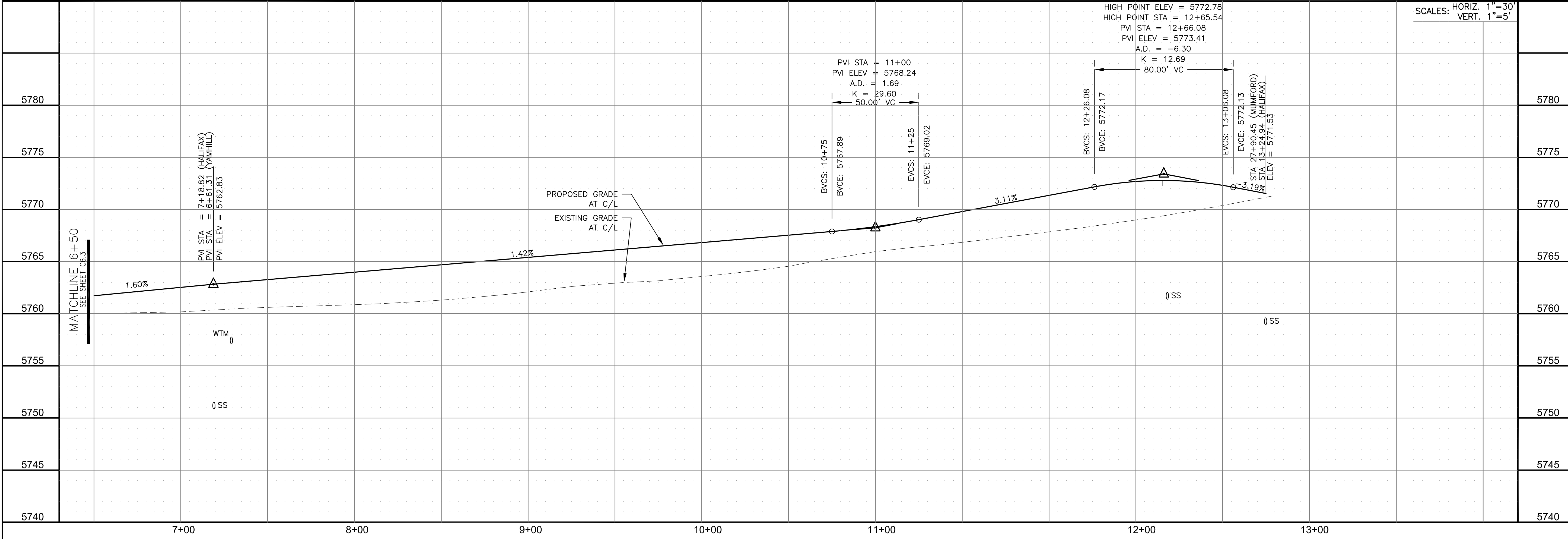
TOTAL SHEETS: 14



- NOTES**
- ALL SPOT ELEVATIONS ARE FLOW LINE UNLESS OTHERWISE NOTED.
 - SEE GRADING PLAN FOR GRADING INFORMATION.
 - ALL STORM SEWER SHALL BE CLASS III RCP.
 - ALL MHS SHALL BE TYPE 1 UNLESS OTHERWISE NOTED.
- ① CURVE DATA ID
 - ② CURB TRANSITIONS
 - ③ PEDESTRIAN RAMP, SEE SHEET C10.1



HALIFAX DRIVE



CORE ENGINEERING GROUP

15004 1ST AVENUE S.
 BLDG 700, SUITE 55506
 BIRMGHAM, AL 35206
 CONTACT: RICHARD L. SCHINDLER, P.E.
 EMAIL: Rich@ceg1.com

DATE: _____

DESCRIPTION: _____

NO: _____

PREPARED FOR: **LORSON RANCH EAST**
 212 N. WAHSATCH AVE. SUITE 301
 COLORADO SPRINGS, COLORADO 80903
 (719) 635-3200
 CONTACT: JEFF MARK

DRAWN: RLS
 DESIGNED: RLS
 CHECKED: RLS

STREET/STORM

HALIFAX DRIVE

STA 6+50 TO 13+25

SCALE: 1"=30'
 VERT. 1"=5'

DATE: MARCH 6, 2019

PROJECT NO. 100.049

SHEET NUMBER C6.4

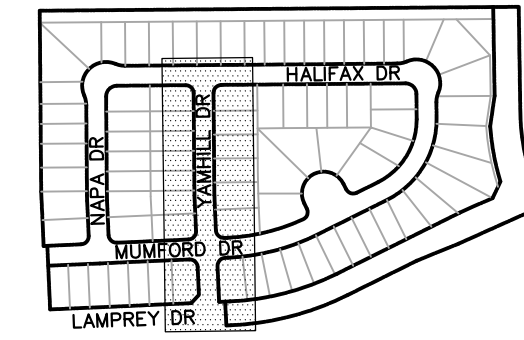
TOTAL SHEETS: 14

CURVE	LENGTH	RADIUS	DELTA
C5	31.42'	20.00	90°00'00"
C6	31.42'	20.00	90°00'00"
C10	31.42'	20.00	90°00'00"
C11	31.42'	20.00	90°00'00"
C18	39.27'	25.00	90°00'00"
C19	31.42'	20.00	90°00'00"
C20	31.42'	20.00	90°00'00"

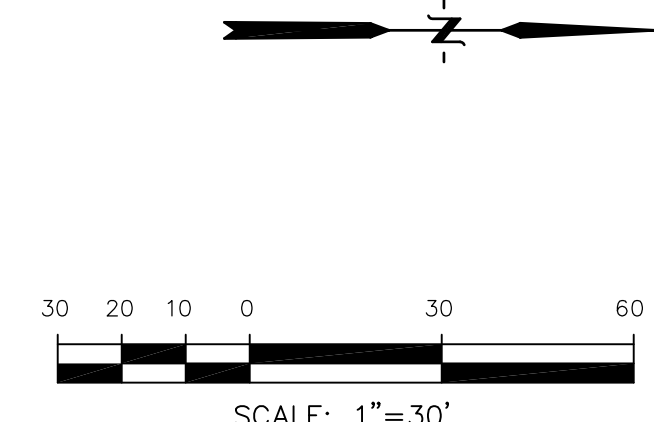
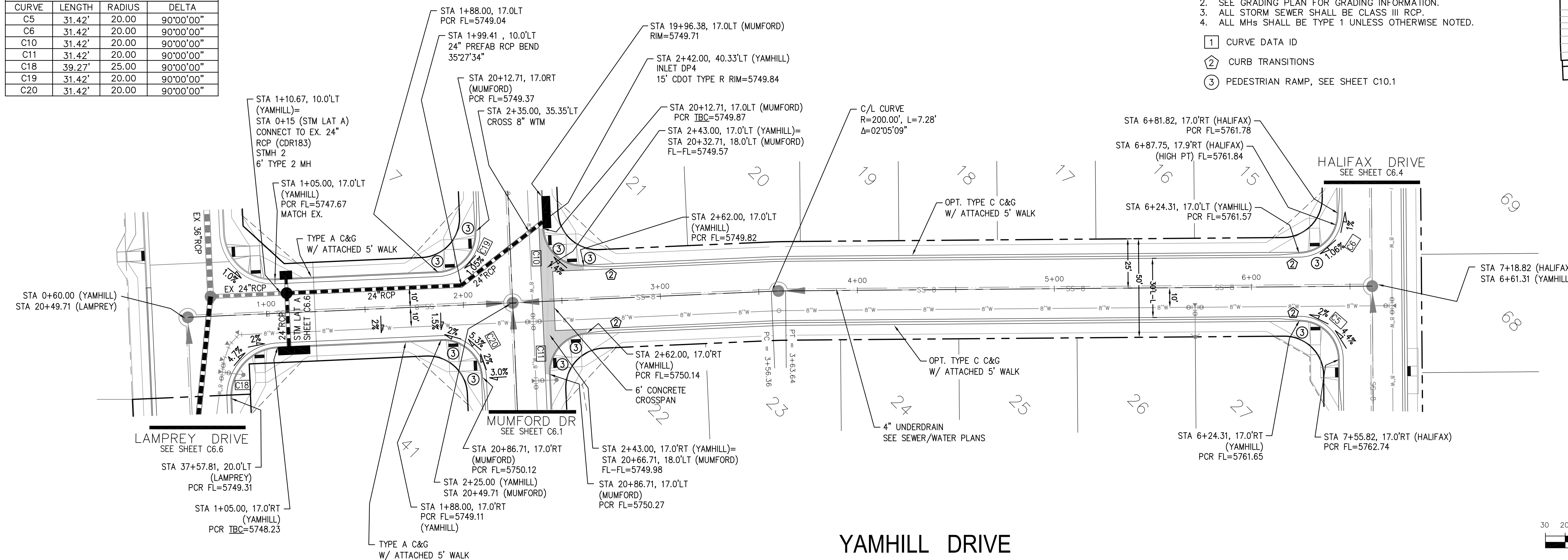
NOTES

1. ALL SPOT ELEVATIONS ARE FLOW LINE UNLESS OTHERWISE NOTED.
2. SEE GRADING PLAN FOR GRADING INFORMATION.
3. ALL STORM SEWER SHALL BE CLASS III RCP.
4. ALL MHS SHALL BE TYPE 1 UNLESS OTHERWISE NOTED.

- ① CURVE DATA ID
- ② CURB TRANSITIONS
- ③ PEDESTRIAN RAMP, SEE SHEET C10.1



KEY MAP



CORE ENGINEERING GROUP
 15004 1ST AVENUE S.
 BLDG 100, SUITE 3506
 BIRMGHAM, AL 35206
 CONTACT: RICHARD L. SCHINDLER, P.E.
 EMAIL: Rich@cegi.com

DATE: _____

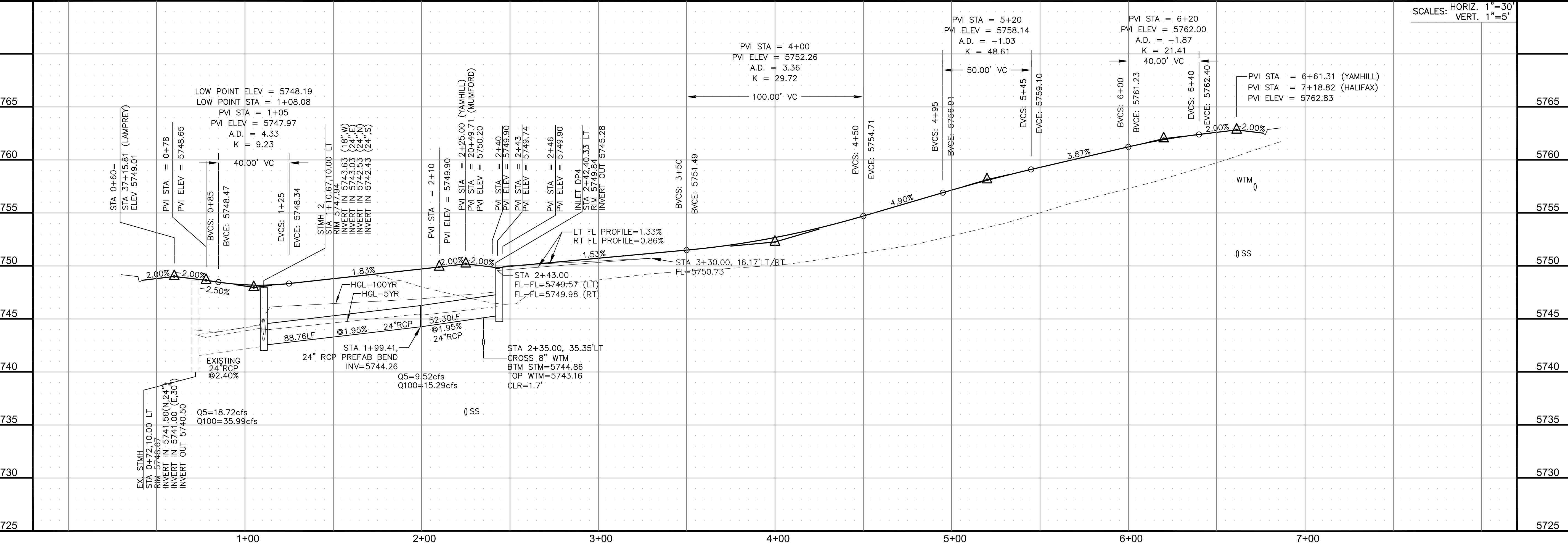
DESCRIPTION: _____

NO: _____

PROJECT: **LORSON RANCH EAST FILING NO. 3**
 LAMPREY DR - YAMHILL DR
 COLORADO SPRINGS, COLORADO

PREPARED FOR: **LORSON, LLC**
 212 N. WAHSATCH AVE, SUITE 301
 COLORADO SPRINGS, COLORADO 80903
 (719) 635-3200
 CONTACT: JEFF MARK

DRAWN: RLS
 DESIGNED: RLS
 CHECKED: RLS



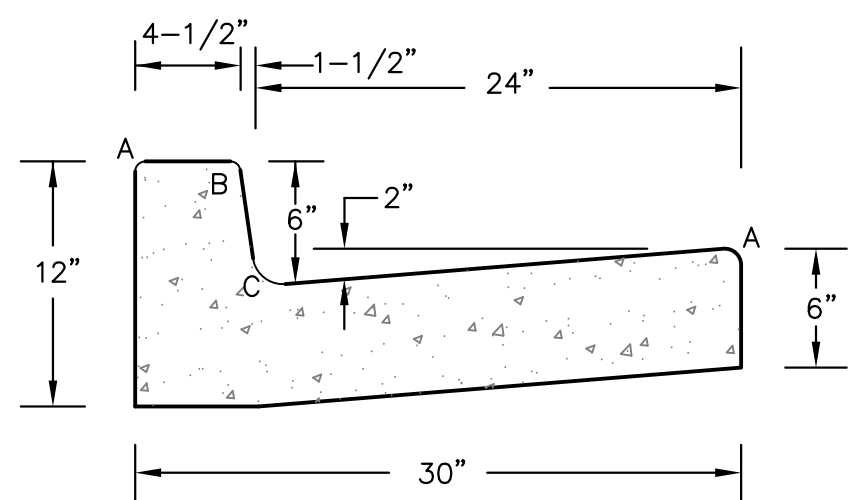
STREET/STORM
YAMHILL DRIVE
STA 0+60 TO 6+61

DATE: MARCH 6, 2019

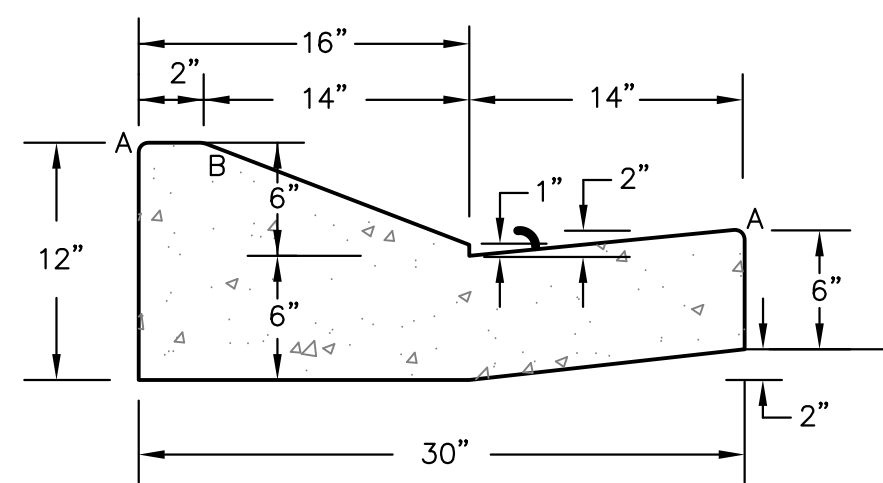
PROJECT NO. 100.049

SHEET NUMBER C6.5

TOTAL SHEETS: 14



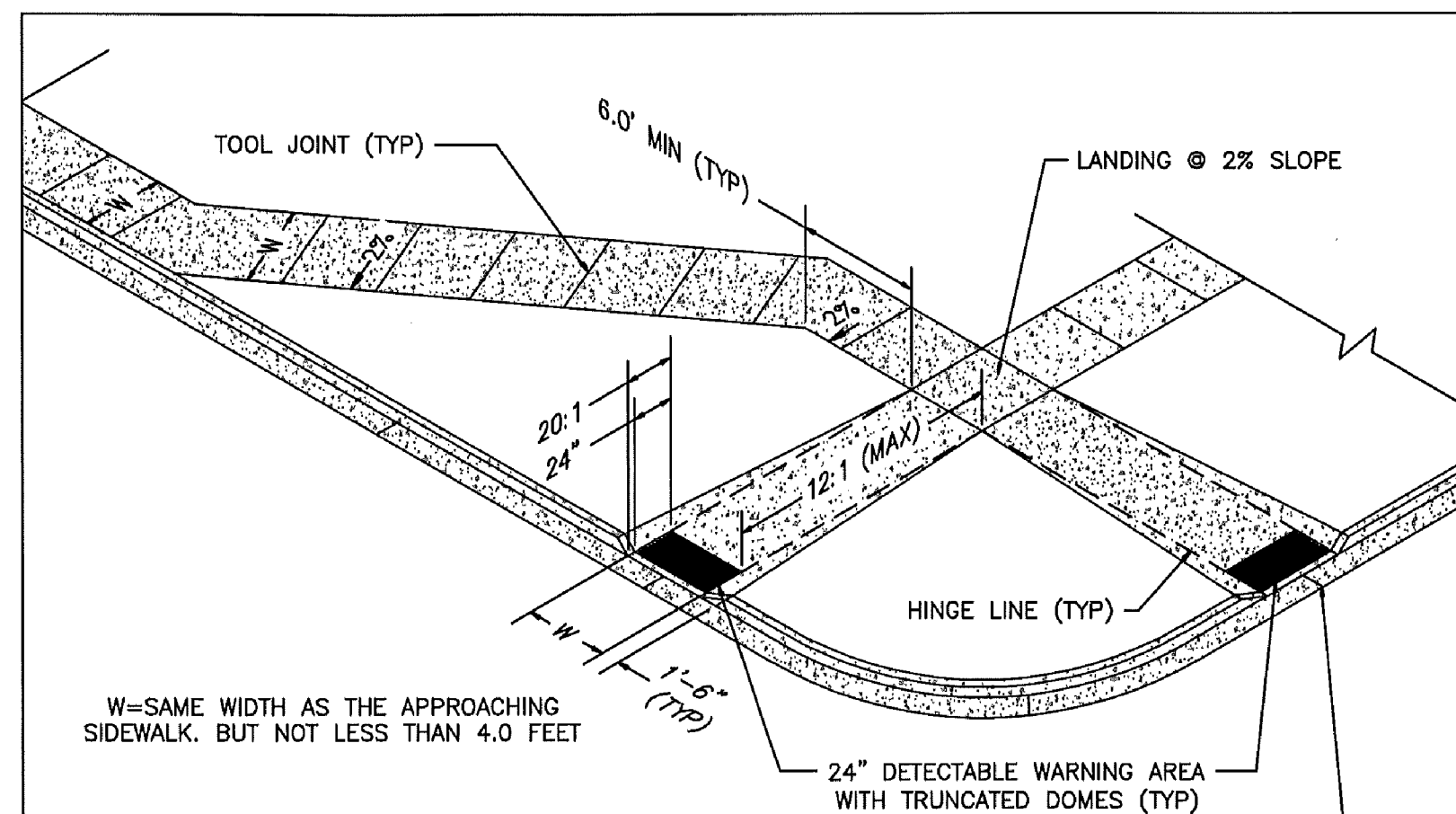
TYPE 'A'
VERTICAL CURB AND GUTTER
SCALE 1" = 1'-0"



TYPE 'C'
OPTIONAL TYPE C RAMP CURB AND GUTTER
SCALE 1" = 1'

LENGTH FOR RADII	
A	1/8" TO 1/4"
B	1-1/2"
C	1-1/2" TO 2"

CURB DETAILS (ECM SD 2-20)



W=SAME WIDTH AS THE APPROACHING SIDEWALK, BUT NOT LESS THAN 4.0 FEET

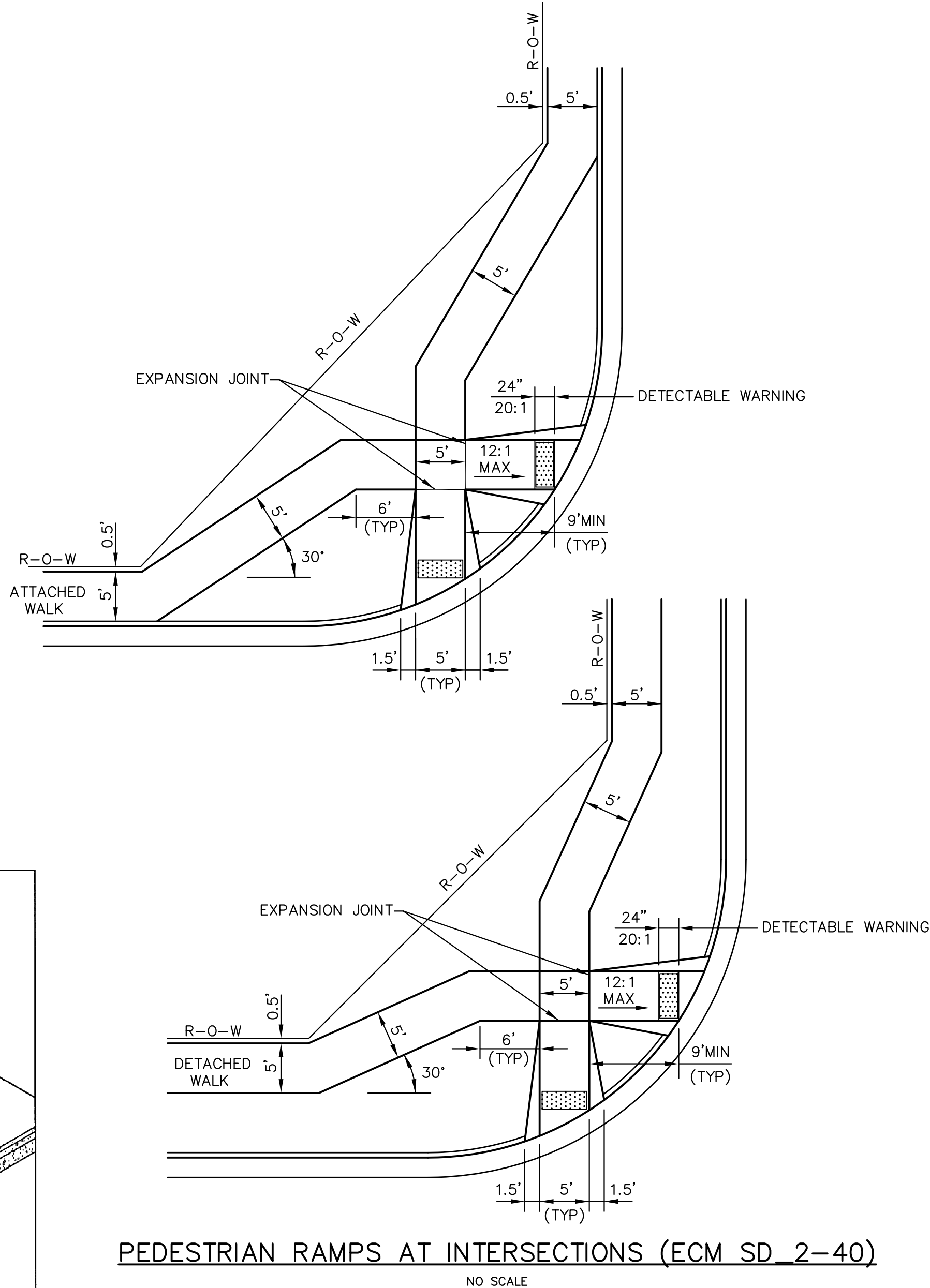
PEDESTRIAN RAMP NOTES

- ALL WORK SHALL BE DONE IN ACCORDANCE WITH THE CURRENT ENGINEERING CRITERIA MANUAL AND ADA REQUIREMENTS.
- CONTRACTOR TO NOTIFY ENGINEERING DIVISION INSPECTION STAFF 48 HOURS PRIOR TO CONCRETE PLACEMENT.
- PEDESTRIAN RAMP CONSTRUCTION SHALL BE A MINIMUM 4,500 PSI CONCRETE, MINIMUM 4" THICK, NON-COLORED, NON-SCORED, COARSE BROOM FINISH.
- RAMP LOCATION AND LENGTH MAY REQUIRE MODIFICATION TO MAINTAIN THE 12:1 MAXIMUM RUNNING RAMP SLOPE AND 20:1 DETECTABLE WARNING AREA DUE TO STREET INTERSECTION GRADES AND/OR ALIGNMENTS.
- DETECTABLE WARNING AREA SHALL START A MINIMUM OF 6" BUT NOT MORE THAN 8" FROM THE FLOWLINE OF THE CURB AT ANY POINT.
- DETECTABLE WARNING AREA SHALL BE REFABRICATED REDDISH INTEGRALLY COLORED TRUNCATED-DOMES.
- THE DETECTABLE WARNING AREA SHALL BE 24" IN LENGTH AND THE FULL WIDTH OF THE RAMP.
- RAMP WIDTH REQUIRED IS SAME AS APPROACHING SIDEWALK; 4" MINIMUM.
- ALL RAMP WILL BE PERPENDICULAR TO TRAFFIC WITH THE EXCEPTION OF MID-BLOCK OR TERMINAL RAMP WHICH MAY BE PARALLEL SUBJECT TO APPROVAL.
- AVOID PLACING DRAINAGE STRUCTURES, TRAFFIC SIGNAL/SIGNAGE, UTILITIES/JUNCTION BOXES, OR OTHER OBSTRUCTIONS WITHIN PROPOSED RAMP AREAS.

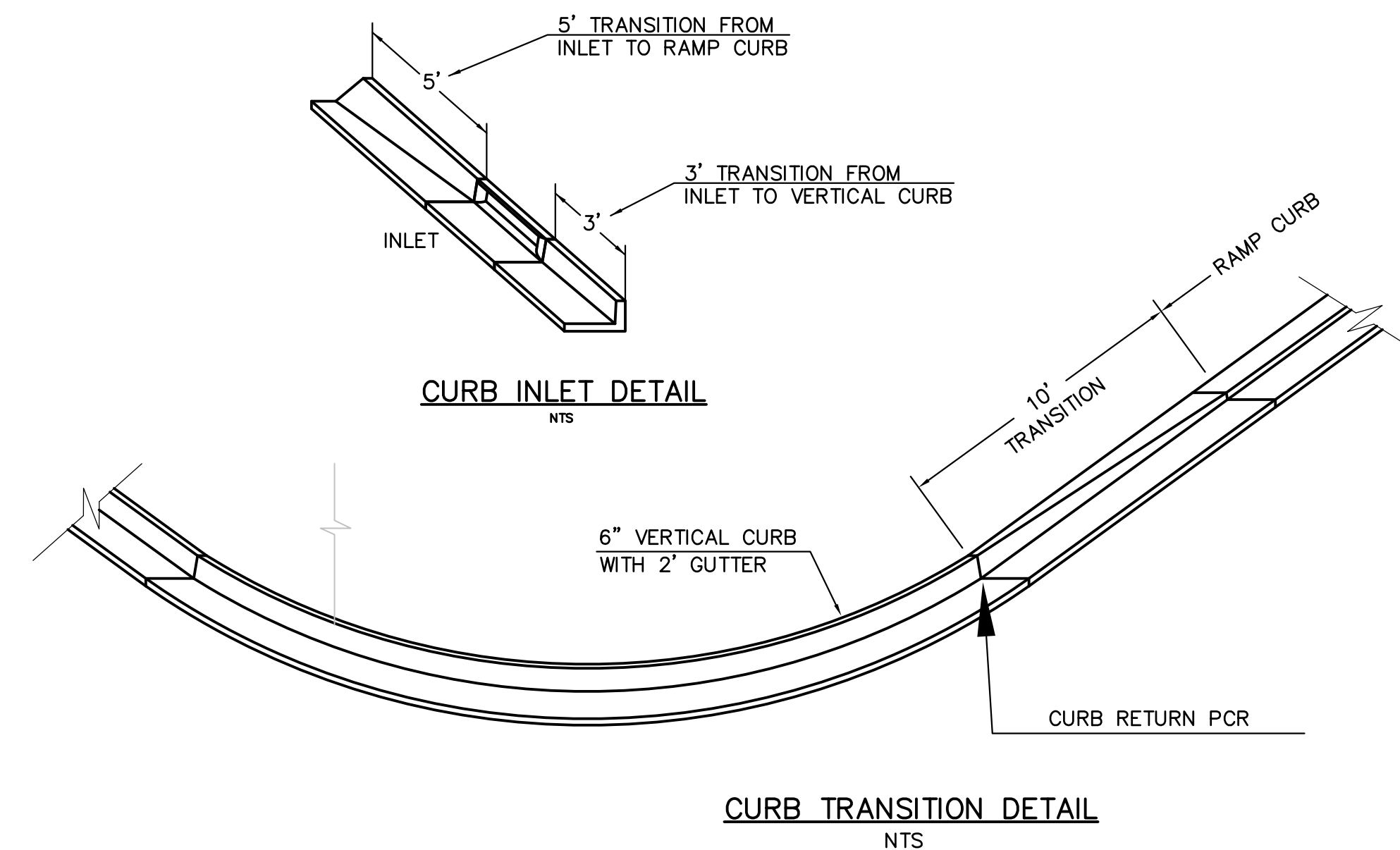
GENERAL NOTES

LAYOUT CURB SECTIONS SO THAT AT LEAST ONE TOOL JOINT IS WITHIN RAMP THROAT

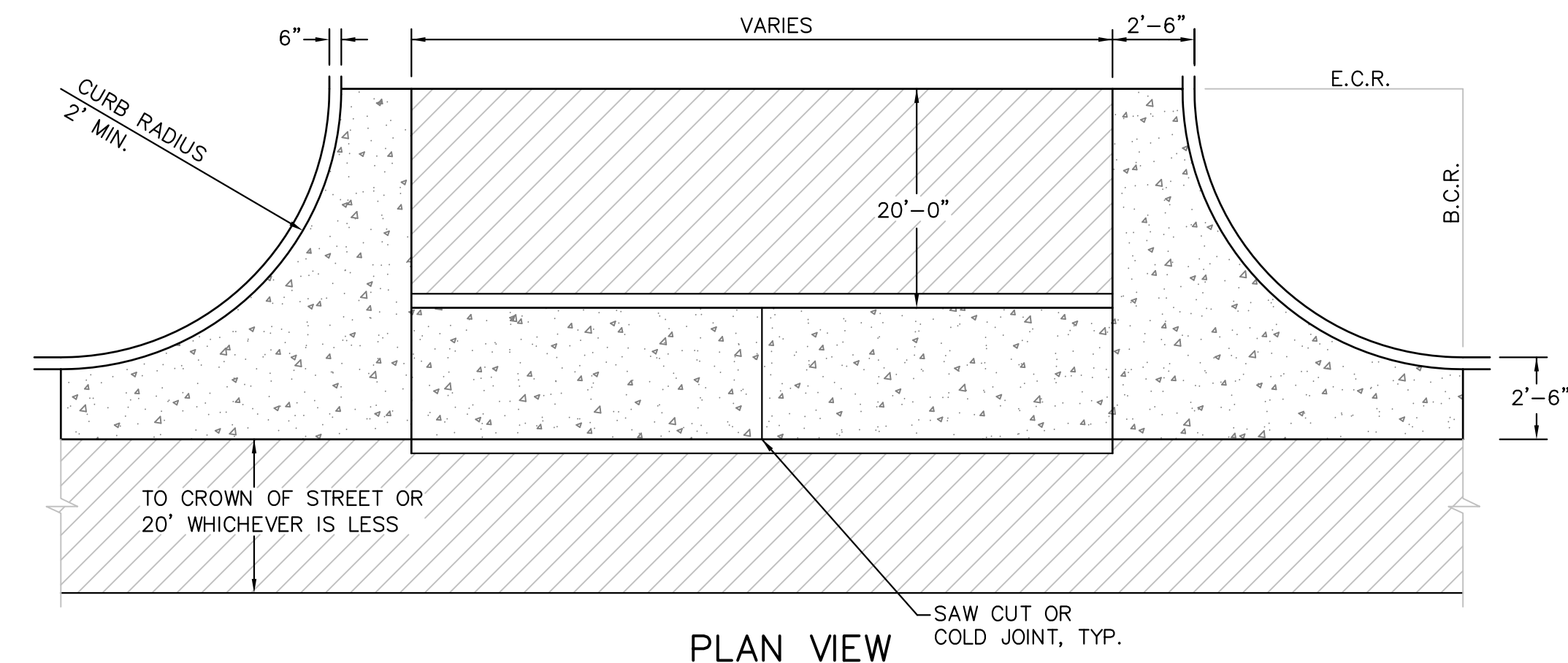
- WHERE THE 1'-6" FLARED SIDE(S) OF A PERPENDICULAR CURB RAMP IS (ARE) CONTIGUOUS WITH A PEDESTRIAN OR HARD SURFACE AREA, THE MAXIMUM FLARE SLOPE SHALL NOT EXCEED 10:1.
- PEDESTRIAN WALKWAY AND/OR LOCATION OF EXISTING OR FUTURE PEDESTRIAN RAMP(S) ON OPPOSITE CORNERS SHALL BE REVIEWED BEFORE CONSTRUCTING NEW RAMP(S).
- AT MARKED PEDESTRIAN CROSSINGS, THE BOTTOM OF THE RAMP(S), EXCLUSIVE OF THE FLARE SIDES, SHALL BE TOTALLY CONTAINED WITHIN THE MARKINGS.



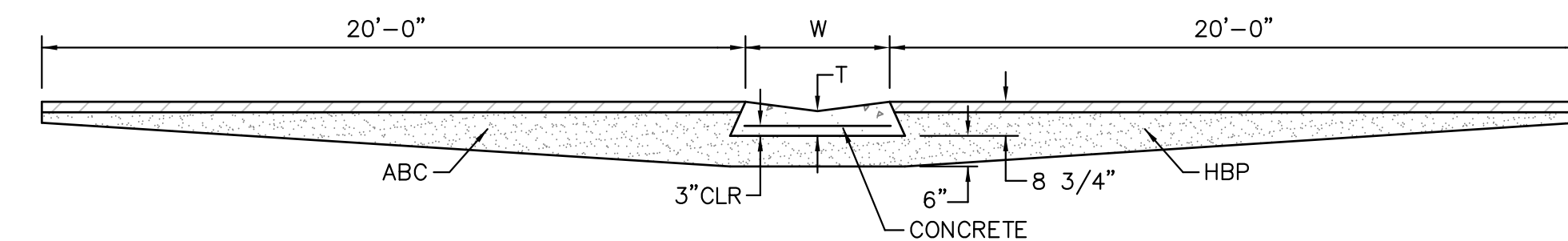
PEDESTRIAN RAMPS AT INTERSECTIONS (ECM SD 2-40)
NO SCALE



CURB TRANSITION DETAIL
NTS



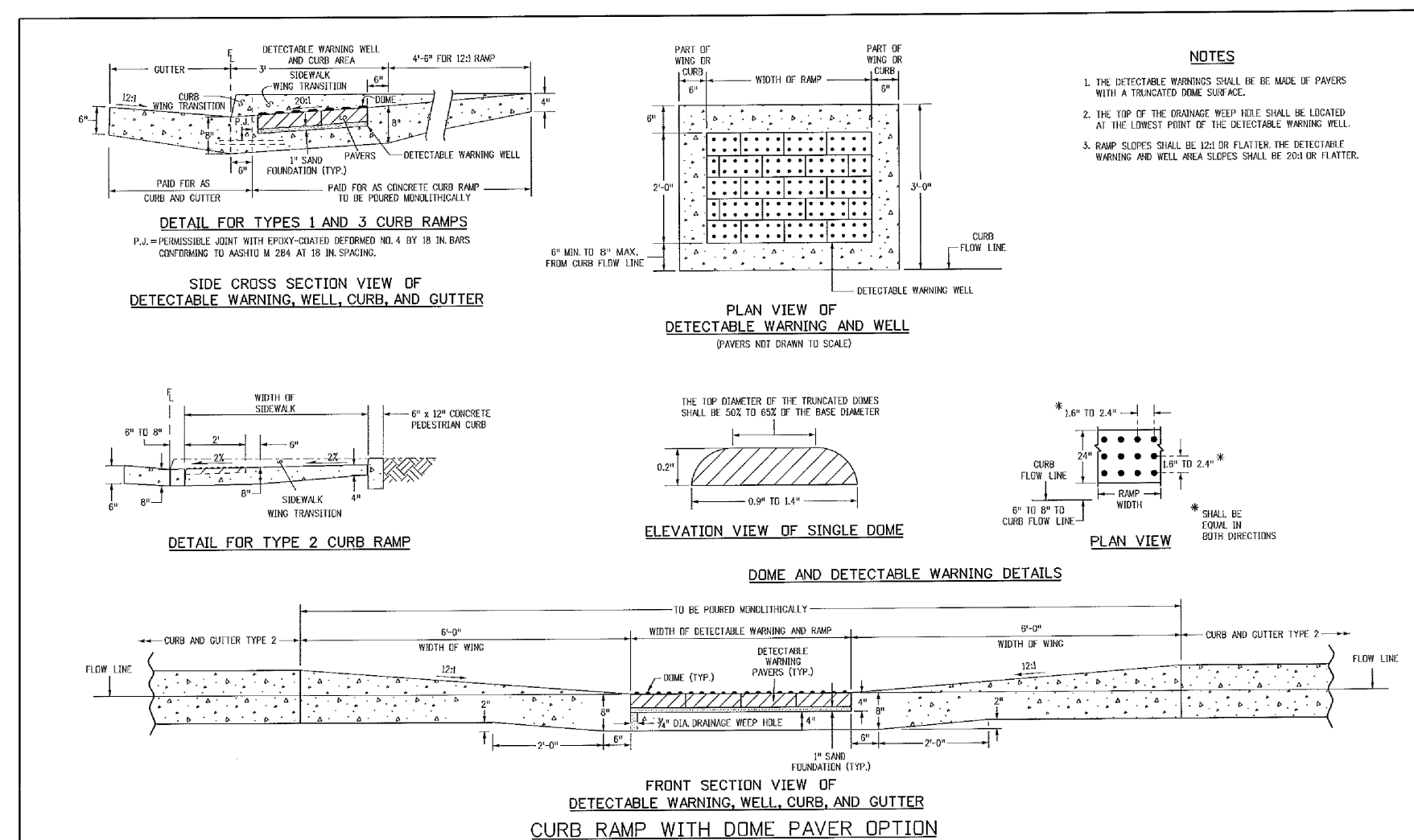
PLAN VIEW



TYPICAL CROSSSPAN LAYOUT (ECM SD 2-26)
NO SCALE

NOTES

- W = WIDTH SHALL BE 6' FOR LOCAL, 8' FOR COLLECTORS, 10' FOR ARTERIAL ROADS.
- T = SQUARED-OFF RETURN TO BE POURED MONOLITHIC 8" PCC, OR 9" FOR COLLECTORS MINIMUM WITH 6x6 - 4,4 WWF OR #4 @ 18"E.W.
- 3" = 3" MINIMUM ASPHALT DEPTH (2 LIFTS).
- DESIGN TO SPECIFY ELEVATIONS AT PI AND PCR.



TRUNCATED DOME DETAILS (ECM SD 2-42)
NO SCALE

Computer File Information	Sheet Revisions	Colorado Department of Transportation	STANDARD PLAN NO.
C:\projects\2019\20190301\20190301.dwg User: andrea.brackin Date: 3/18/2019 10:53:27 AM Project: 20190301	01 3/18/2019 andrea.brackin 02 3/18/2019 andrea.brackin	Project Development Branch DD/LTA	M-608-1 Sheet No. 6 of 6

CORE ENGINEERING GROUP
15004 1ST AVENUE S.
BURNSVILLE, MN 55306
PH: 719.570.1100
CONTACT: RICHARD L. SCHINDLER, P.E.
EMAIL: rich@cegi.com

DATE: _____
DESCRIPTION: _____
NO. _____

PREPARED FOR:
LORSON RANCH EAST
212 N. WAHSATCH AVE. SUITE 301
COLORADO SPRINGS, COLORADO 80903
CONTACT: JEFF MARK

DRAWN: RLS
DESIGNED: RLS
CHECKED: RLS

ROADWAY DETAIL SHEET



DATE:
MARCH 6, 2019

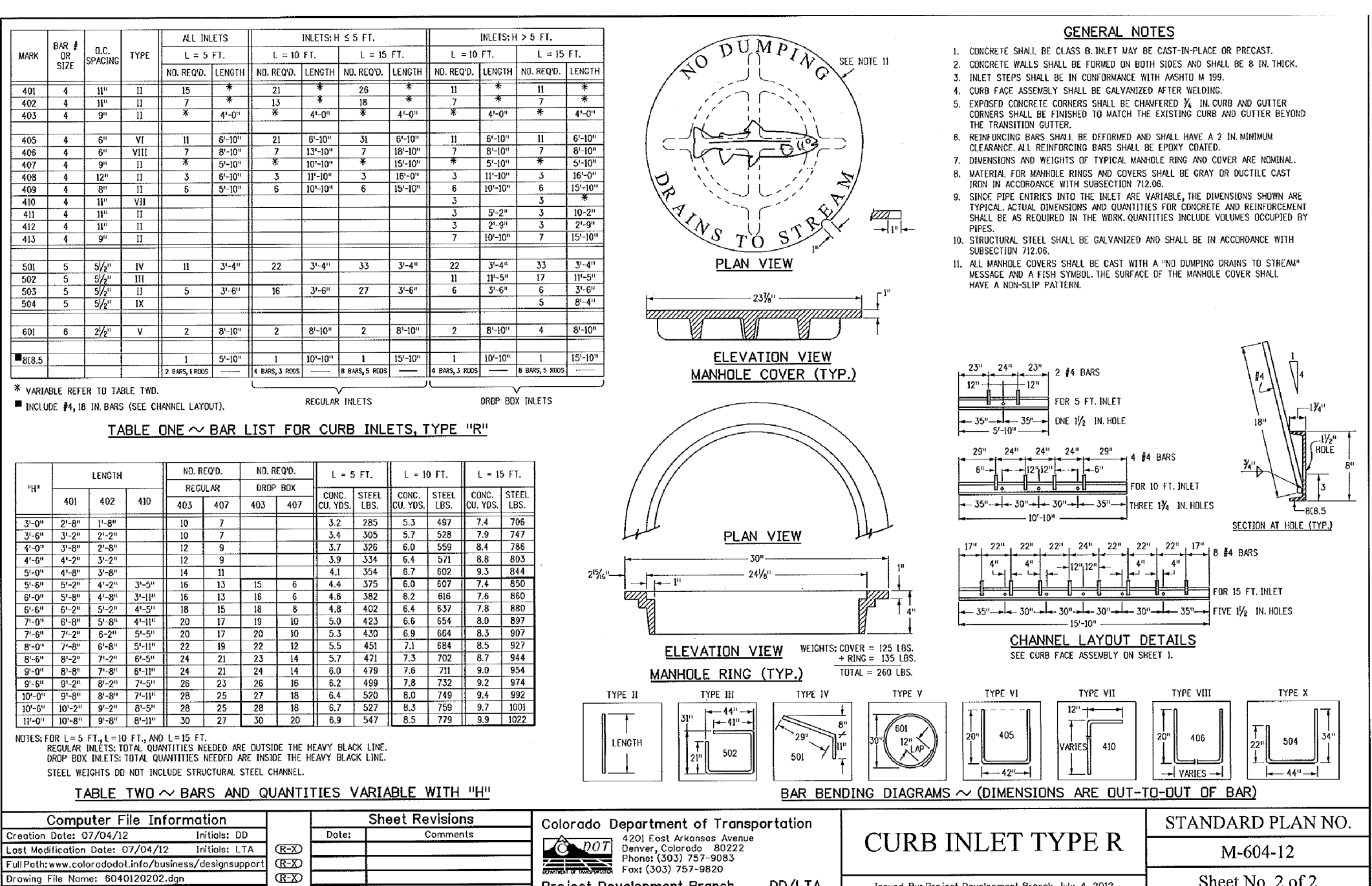
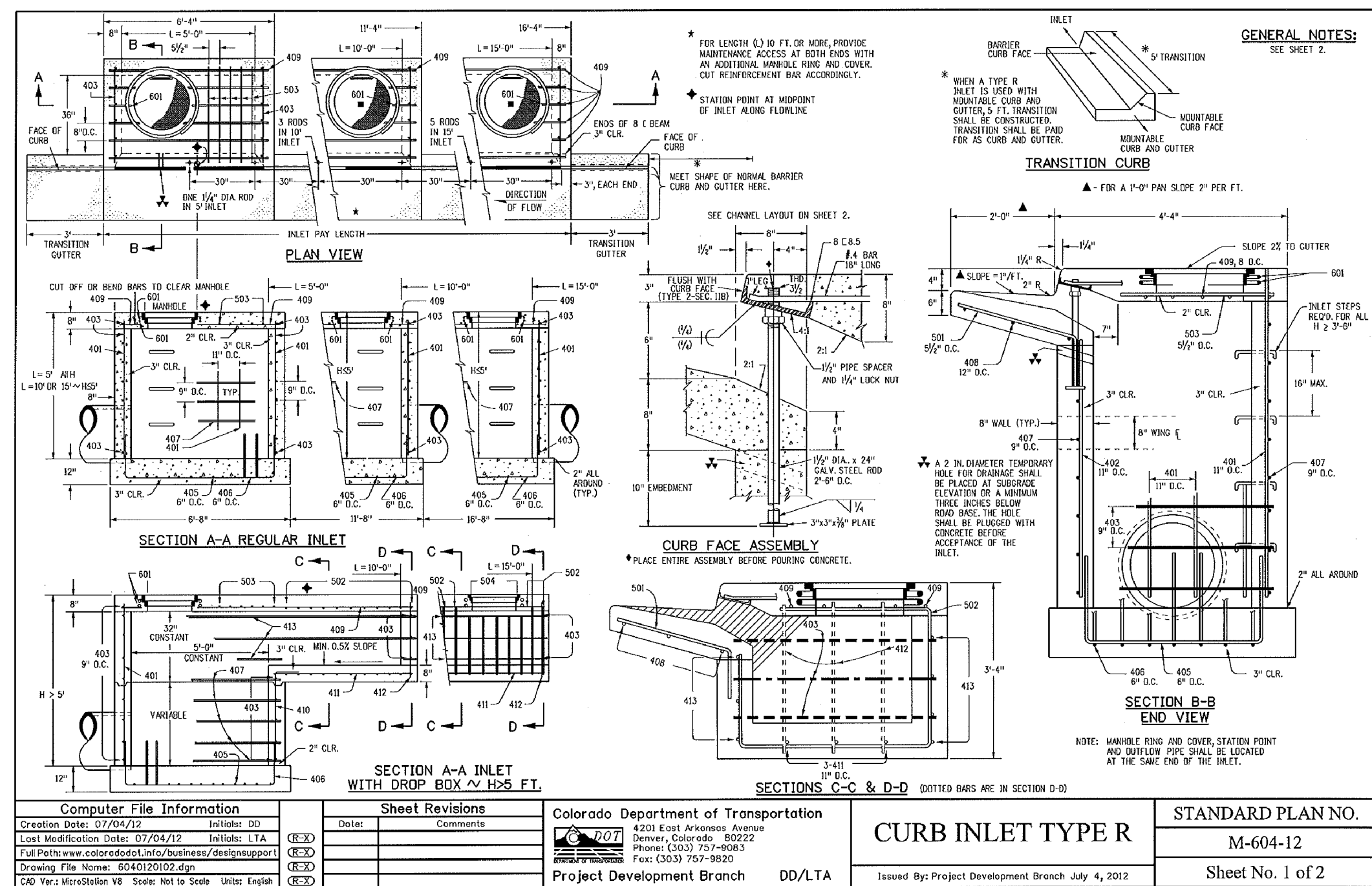
PROJECT NO.
100.049

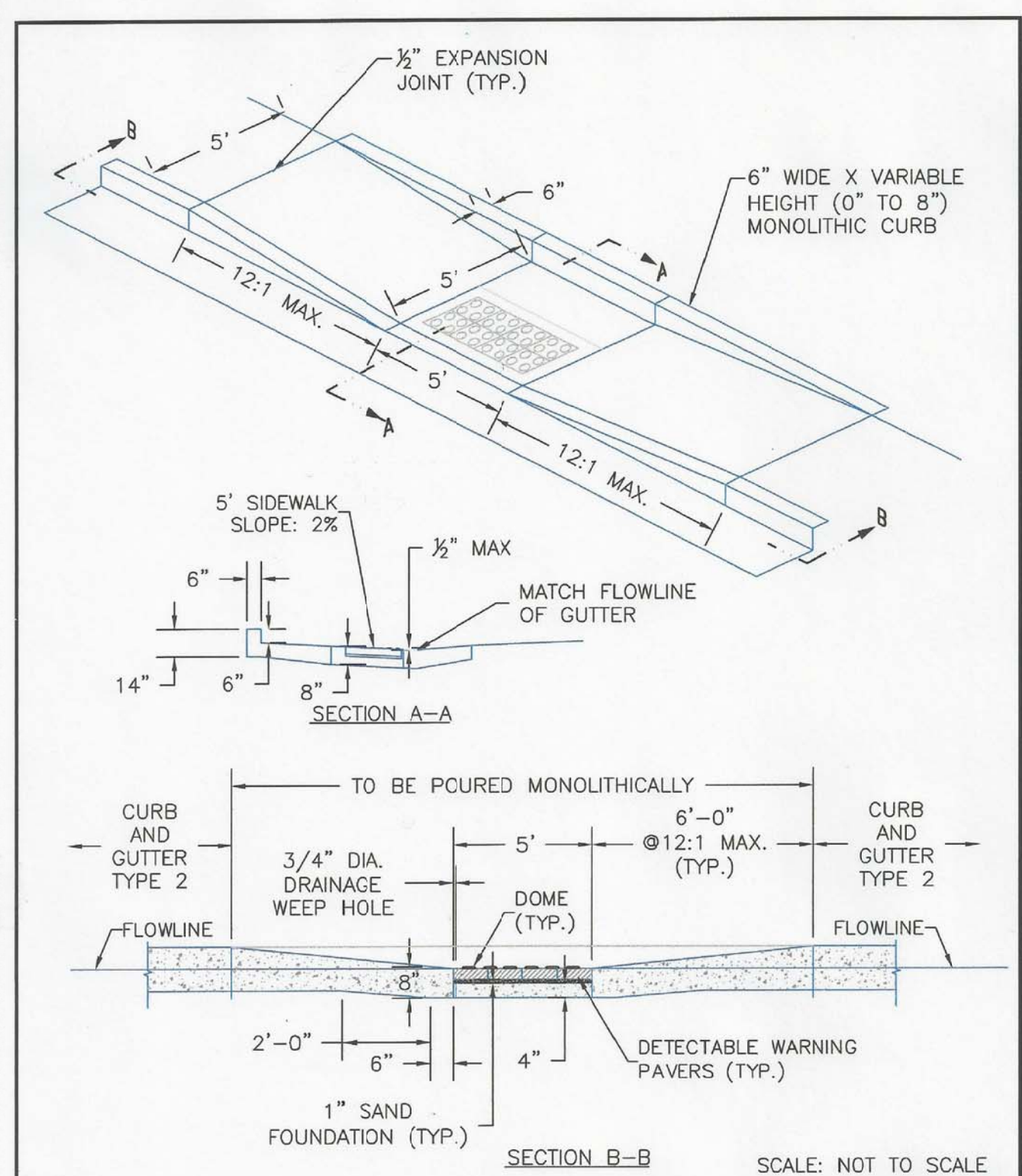
SHEET NUMBER
C10.1

TOTAL SHEETS: 14

DATE APPROVED: 7/9/09	REVISION DATE: 1/18/11	FILE NAME: SD_2-41	
André P. Brackin			

Pedestrian Intersection Ramp
Standard Drawing





DATE APPROVED: 8/11/11	Parallel Pedestrian Ramp Detail Standard Drawing		
APPROVED BY: André P. Brackin	REVISION DATE: 12/8/15	FILE NAME: SD_2-50	

CORE
ENGINEERING GROUP
 15004 1ST AVENUE S.
 BURNSVILLE, MN 55306
 PH: 719.570.1100
 CONTACT: RICHARD L. SCHINDLER, P.E.
 EMAIL: rich@cegi.com

DATE: _____
 DESCRIPTION: _____
 NO. _____
 PREPARED FOR:
LORSON, LLC
 212 N. WAHSATCH AVE., SUITE 301
 COLORADO SPRINGS, COLORADO 80903
 (719) 635-5200
 CONTACT: JEFF MARK

PROJECT:
LORSON RANCH EAST
FILING NO. 3
 LAMPREY DR - YAMHILL DR
 COLORADO SPRINGS, COLORADO

DRAWN: RLS
 DESIGNED: RLS
 CHECKED: RLS

LORSON RANCH EAST FILING NO. 3
ROADWAY DETAIL SHEET



DATE:
 MARCH 6, 2019

PROJECT NO.
 100.049

SHEET NUMBER
 C10.3

TOTAL SHEETS: 14