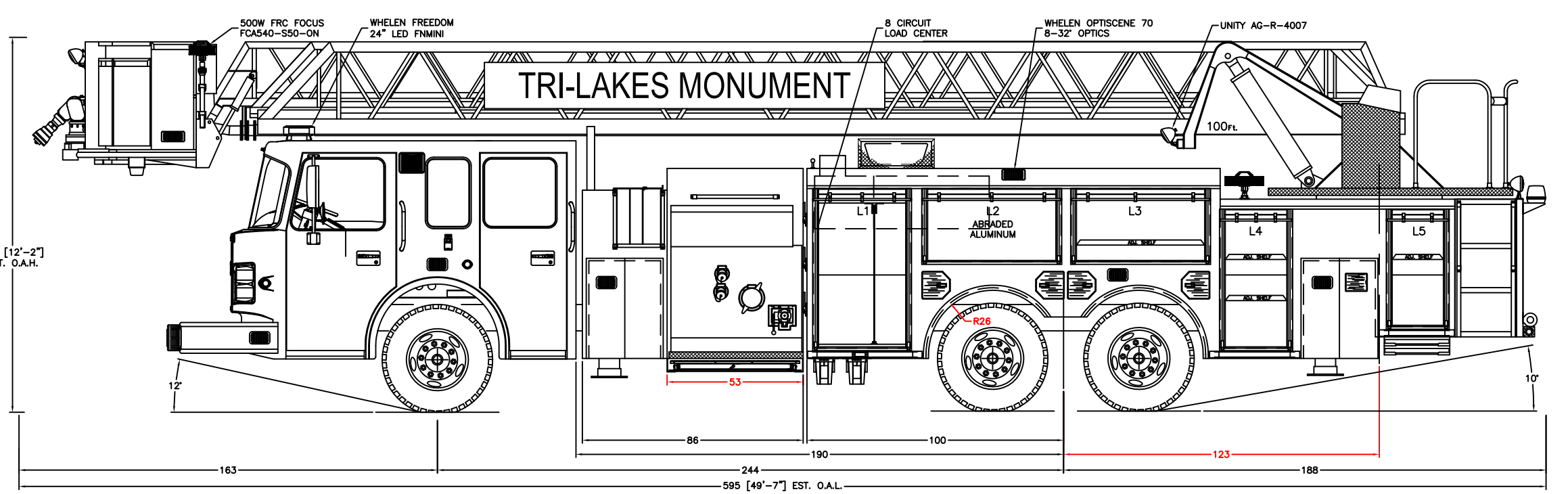
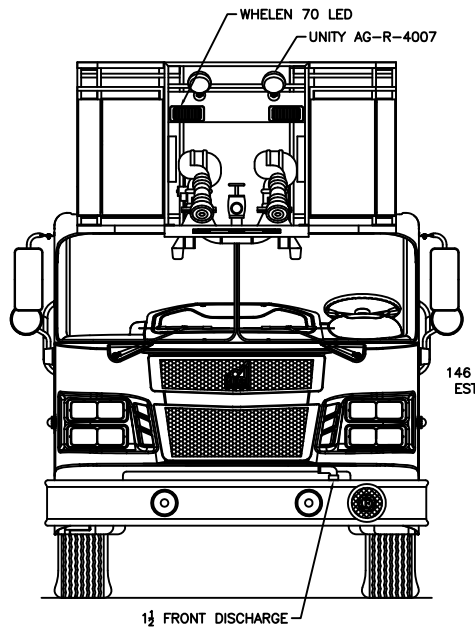
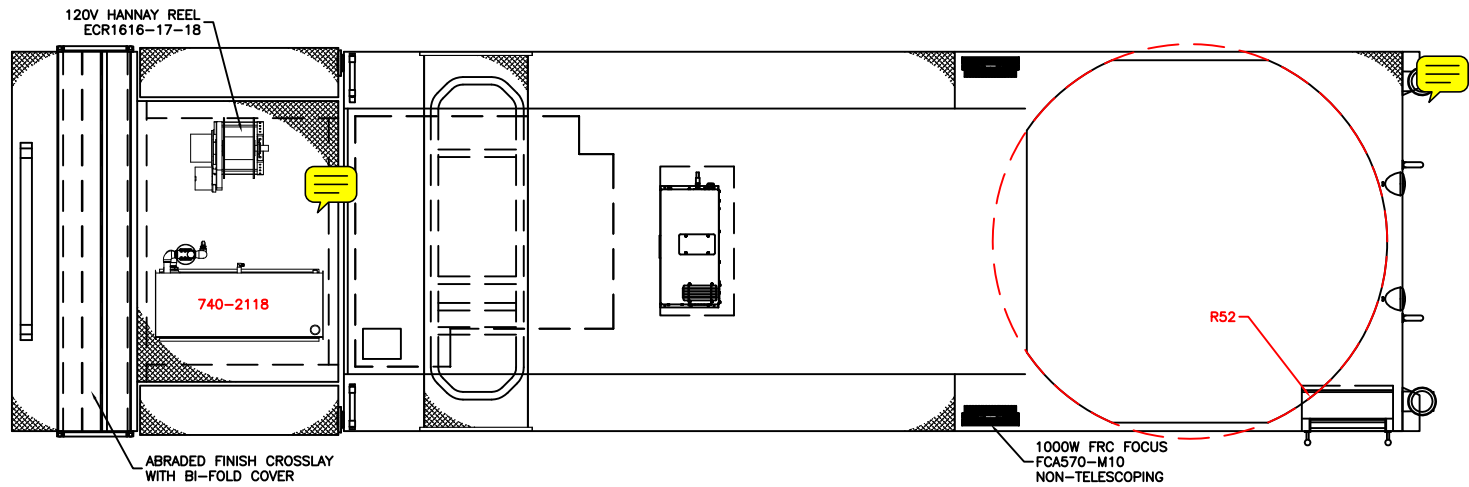


GROUND LADDERS & PIKE POLES			
ITEM	LADDER LENGTH	MODEL	QTY
A	35' 2 SEC	1200A	1
B	28' 2 SEC	1200A	1
C	16' ROOF	875A	1
D	14' FRESNO	701	1
E	10' ATTIC	585A	1
F	4' D-HANDLE	FP4D	2
G	6' PIKE POLE	FP6	2
H	8' PIKE POLE	FP8	2
I	12' PIKE POLE	FP12	2

COMPT.	OPENING	UPPER DEPTH	LOWER
L1	35W x 56H	14	23
L2	51W x 23H	14	N/A
L3	51W x 23H	14	N/A
L4	25W x 48H	14	24
L5	19W x 39H	14	22
R1	35W x 56H	14	23
R2	51W x 23H	14	N/A
R3	51W x 23H	14	N/A
R4	25W x 48H	14	24
R5	45W x 39H	14	22
INTERMEDIATE DIVIDE HEIGHT			
L1/R1	27/30	L4/R4	27/24

LINE-X PANELS WITH ON SCENE LIGHTING
LINE-X TRAYS & SHELVES
ABRADED TOOL BOARD



NOTE:
DIMENSIONS SHOWN ARE APPROXIMATE AND ARE SUBJECT TO CHANGE AS MAY BE FOUND NECESSARY DURING CONSTRUCTION. MINOR DETAILS MAY NOT BE SHOWN.

THE DRAWING IS FOR REFERENCE PURPOSES ONLY. SOME ITEMS MAY OR MAY NOT APPEAR ON THE DRAWING THAT MAY OR MAY NOT INCLUDED IN THE SPECIFICATIONS. SPECIFICATIONS SHALL BE THE FINAL AUTHORITY TO BE DETERMINED WHAT IS SUPPLIED ON THE APPARATUS.

CHASSIS: SIRIUS MFD FLAT ROOF
WATER TANK: 300 GAL
HOSE LOAD: EHL 800' OF 5" & 200' OF 2-1/2"
GENERATOR: ONAN 10kW
PUMP: WATEROUS CSUC20
V-MUX MULTIPLEX
ON SCENE COMPARTMENT LIGHTING

**SHOP PRINT
FINAL
APPROVAL**

Date	Approval Signatures	Revisions
	DEALER	
	FIRE CHIEF	
	SALES AD.	
	PRODUCTION	
	ENGINEERING	



Revisions	Scale	Date	Drawing No.
ML REVISED 03/08/10	3/8"=1'	08/14/09	3876

18 x 24

SMEAL FIRE APPARATUS
SNYDER, NE 68664
TRI-LAKES, CO
100' PLATFORM