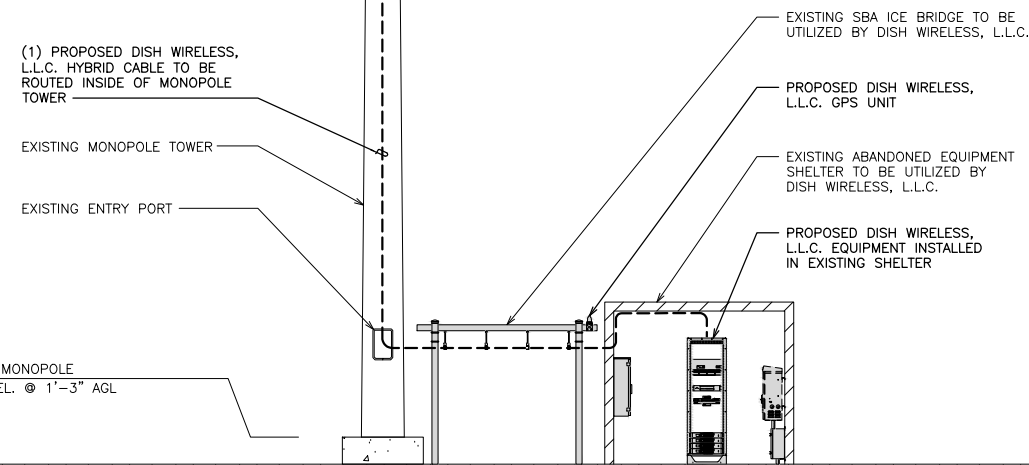
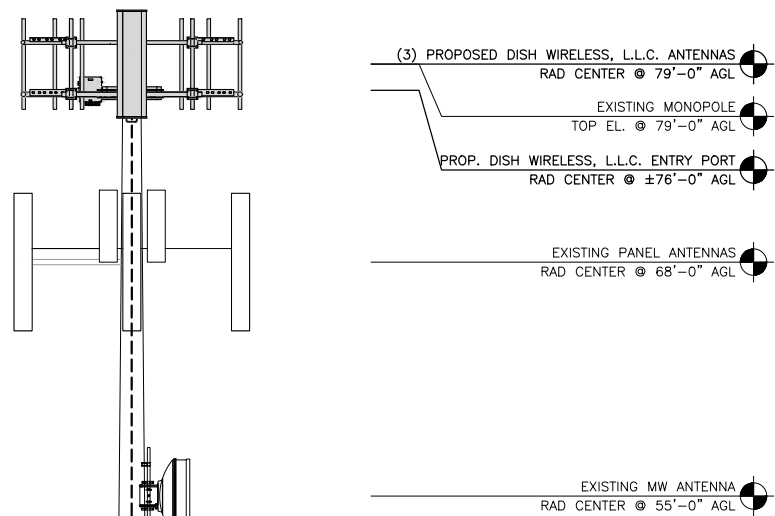
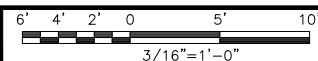


**NOTES**

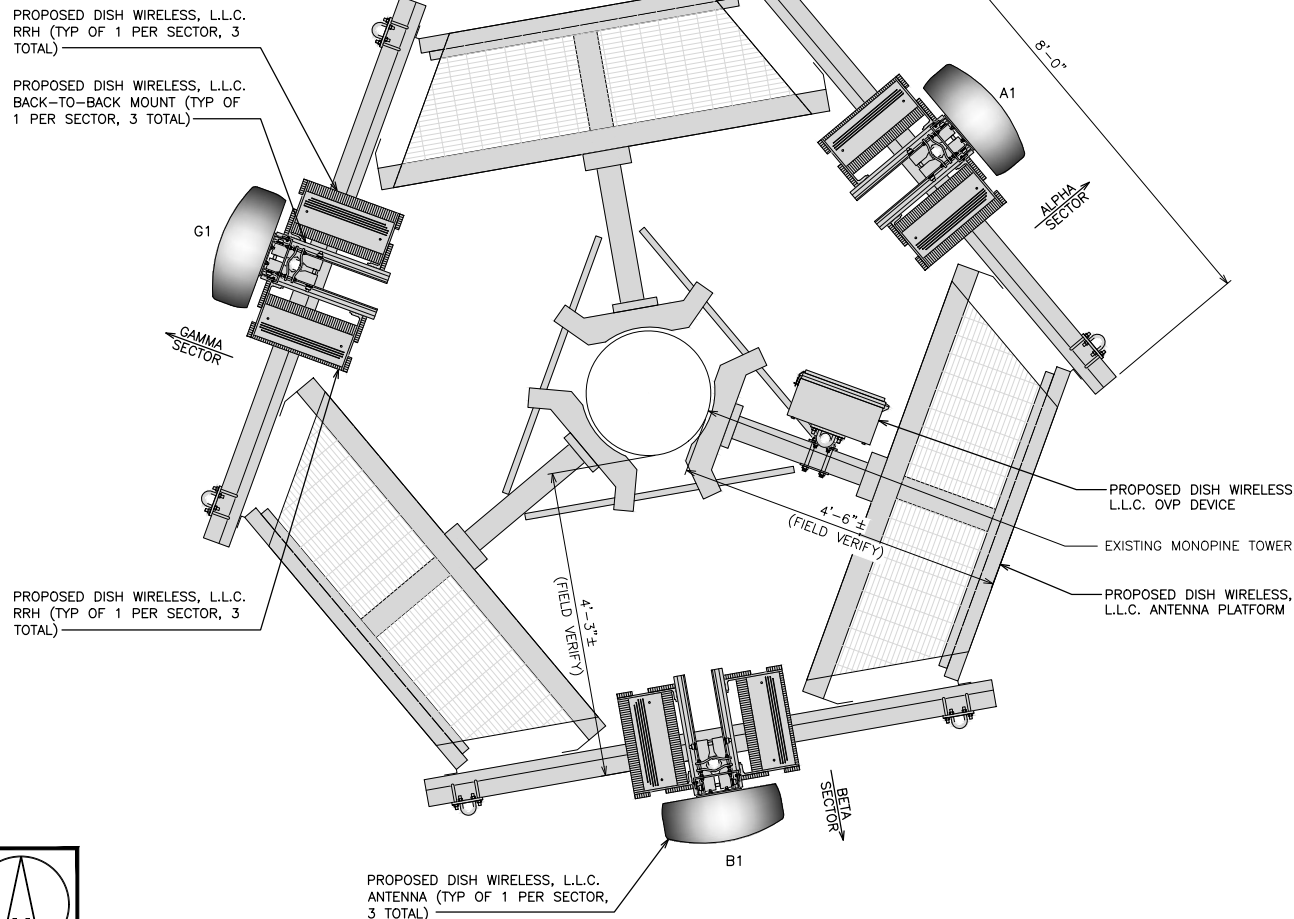
1. CONTRACTOR SHALL FIELD VERIFY ALL DIMENSIONS.
2. ANTENNA AND MW DISH SPECIFICATIONS REFER TO ANTENNA SCHEDULE AND TO FINAL CONSTRUCTION RFDS FOR ALL RF DETAILS.
3. EXISTING EQUIPMENT AND FENCE OMITTED FOR CLARITY.
4. PROPOSED CABLE/ROUTING AND PROPOSED EQUIPMENT SHALL BE VERIFIED BY A PASSING SA PRIOR TO CONSTRUCTION.



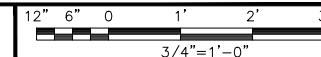
PROPOSED EAST ELEVATION



1



ANTENNA LAYOUT



2

SECTOR POS.	ANTENNA					TRANSMISSION CABLE	RRH			OVP
	EXISTING OR PROPOSED	MANUFACTURER MODEL NUMBER	TECH	AZIMUTH	RAD CENTER		FEED LINE TYPE AND LENGTH	MANUFACTURER MODEL NUMBER	TECH	
A1	---	---	---	---	---	(1) HIGH-CAPACITY HYBRID CABLE (125' LONG)	FUJITSU TA08025-B604	5G	A2	RAYCAP RDIDC-9181-PF-48
A2	PROPOSED	JMA WIRELESS MX08FR0665-21	5G	50°	79'-0"		FUJITSU TA08025-B605	5G	A2	
A3	---	---	---	---	---		---	---	---	
B1	---	---	---	---	---	SHARED W/ALPHA	FUJITSU TA08025-B604	5G	B2	SHARED W/ALPHA
B2	PROPOSED	JMA WIRELESS MX08FR0665-21	5G	170°	79'-0"		FUJITSU TA08025-B605	5G	B2	
B3	---	---	---	---	---		---	---	---	
G1	---	---	---	---	---	SHARED W/ALPHA	FUJITSU TA08025-B604	5G	G2	SHARED W/ALPHA
G2	PROPOSED	JMA WIRELESS MX08FR0665-21	5G	290°	79'-0"		FUJITSU TA08025-B605	5G	G2	
G3	---	---	---	---	---		---	---	---	

**NOTES**

1. CONTRACTOR TO REFER TO FINAL CONSTRUCTION RFDS FOR ALL RF DETAILS.
2. ANTENNA AND RRH MODELS MAY CHANGE DUE TO EQUIPMENT AVAILABILITY. ALL EQUIPMENT CHANGES MUST BE APPROVED AND REMAIN IN COMPLIANCE WITH THE PROPOSED DESIGN AND STRUCTURAL ANALYSES.

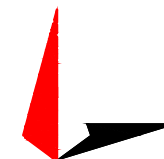
ANTENNA SCHEDULE

NO SCALE

3



5701 SOUTH SANTA FE DRIVE  
LITTLETON, CO 80120



TOWER ENGINEERING PROFESSIONALS  
326 TRYON RD. RALEIGH, NC  
27603 OFFICE: (919) 661-6351



January 4, 2022

IT IS A VIOLATION OF LAW FOR ANY PERSON, UNLESS THEY ARE ACTING UNDER THE DIRECTION OF A LICENSED PROFESSIONAL ENGINEER, TO ALTER THIS DOCUMENT.

DRAWN BY: CDK  
CHECKED BY: CP  
APPROVED BY: CP

RFDS REV #: 0

**CONSTRUCTION DOCUMENTS**

**SUBMITTALS**

REV	DATE	DESCRIPTION
A	08-18-21	PRELIMINARY
B	10-29-21	PRELIMINARY
C	12-14-21	PRELIMINARY
D	01-04-22	CONSTRUCTION

A&E PROJECT NUMBER  
**264624**

DISH WIRELESS, L.L.C.  
PROJECT INFORMATION  
**DNDEN00348A**  
378 COMMAND VIEW  
COLORADO SPRINGS, CO 80915

SHEET TITLE  
**ELEVATION, ANTENNA LAYOUT AND SCHEDULE**

SHEET NUMBER

**A-2**