



Know what's below.
Call before you dig.

INDEX OF SHEETS		SHEET No.
TS01	TITLE SHEET	1
GN01	GENERAL NOTES	2
GEN01	LEGEND & ABBREVIATION NOTES	3
GEC01-GEC03	GRADING & EROSION CONTROL PLAN	4 - 6
ECN01-ECN03	EROSION CONTROL DETAILS	7 - 9

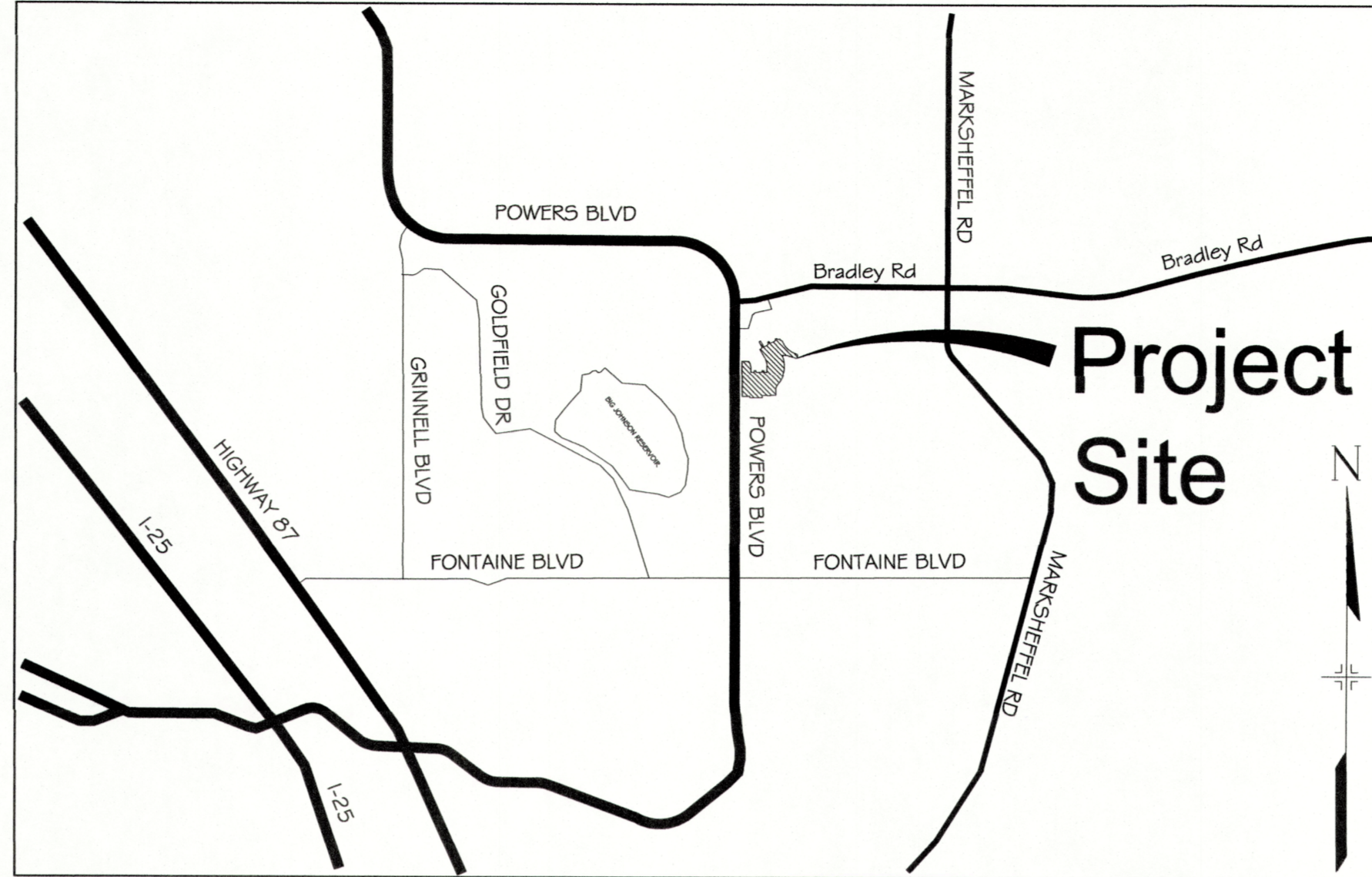
TRAILS AT ASPEN RIDGE FILING NO. 3

COLORADO SPRINGS, COLORADO

FINAL GRADING & EROSION CONTROL PLANS

AUGUST 2021

THIS FINAL GRADING PLAN IS AN ACCURATE REPRESENTATION OF THE GENERAL DRAINAGE PATTERNS ON THE SITE, BUT IS NOT A COMPREHENSIVE DETAILED GRADING PLAN THAT ADDRESSES ALL CONDITIONS THAT MAY OCCUR. THE GRADING OF EACH LOT SHOULD BE CHECKED BY THE HOMEOWNER TO ENSURE THAT DRAINAGE WILL NOT BE COMPROMISED ON THE LOT OR THE ADJACENT LOTS. CONTRACTOR TO CONTACT DESIGN ENGINEER IF FIELD CONDITIONS DIFFER FROM WHAT IS SHOWN WITHIN THESE PLANS.



VICINITY MAP

N.T.S.

OWNER/DEVELOPER	COLA, LLC 555 MIDDLE CREEK PARKWAY, SUITE 380 COLORADO SPRINGS, CO 80921 (719) 382-9433
CIVIL ENGINEER	MATRIX DESIGN GROUP 2435 RESEARCH PARKWAY, SUITE 300 COLORADO SPRINGS, CO 80920 NICOLE SCHANEL, (719) 659 6141
WATER & SANITARY SEWER	WIDEFIELD WATER AND SANITATION DISTRICT 8495 FONTAINE BOULEVARD COLORADO SPRINGS, CO 80925 ROBERT BANNISTER, (719) 390-7111
ELECTRIC	MOUNTAINVIEW ELECTRIC ASSOCIATION (719) 495-2283
GAS	COLORADO SPRINGS UTILITIES 1521 HANCOCK EXPRESSWAY COLORADO SPRINGS, CO MARY HOAGLUND (719) 668-4083
STREET	EL PASO COUNTY PUBLIC SERVICES DEPARTMENT (719) 520-6460
DRAINAGE	EL PASO COUNTY PUBLIC SERVICES DEPARTMENT (719) 520-6460
FIRE DEPARTMENT	SECURITY FIRE DEPARTMENT 400 SECURITY BOULEVARD SECURITY, CO 80911 (719) 392-7121

OWNER'S STATEMENT:

I, THE OWNER/DEVELOPER HAVE READ AND COMPLY WITH THE REQUIREMENTS OF THE GRADING AND EROSION CONTROL PLAN.

Tim Buschar 3/1/22
TIM BUSCHAR DATE
DIRECTOR OF LAND ACQUISITION AND DEVELOPMENT

ENGINEER'S STATEMENT:

THIS GRADING AND EROSION CONTROL PLAN WAS PREPARED UNDER MY DIRECTION AND SUPERVISION AND IS CORRECT TO THE BEST OF MY KNOWLEDGE AND BELIEF. SAID PLAN HAS BEEN PREPARED ACCORDING TO THE CRITERIA ESTABLISHED BY THE COUNTY FOR GRADING AND EROSION CONTROL PLANS. I ACCEPT RESPONSIBILITY FOR ANY LIABILITY CAUSED BY ANY NEGLIGENT ACTS, ERRORS OR OMISSIONS ON MY PART IN PREPARING THIS REPORT.

Nicole Schanel 13 MARCH 2021
NICOLE SCHANEL, PE #52434 DATE

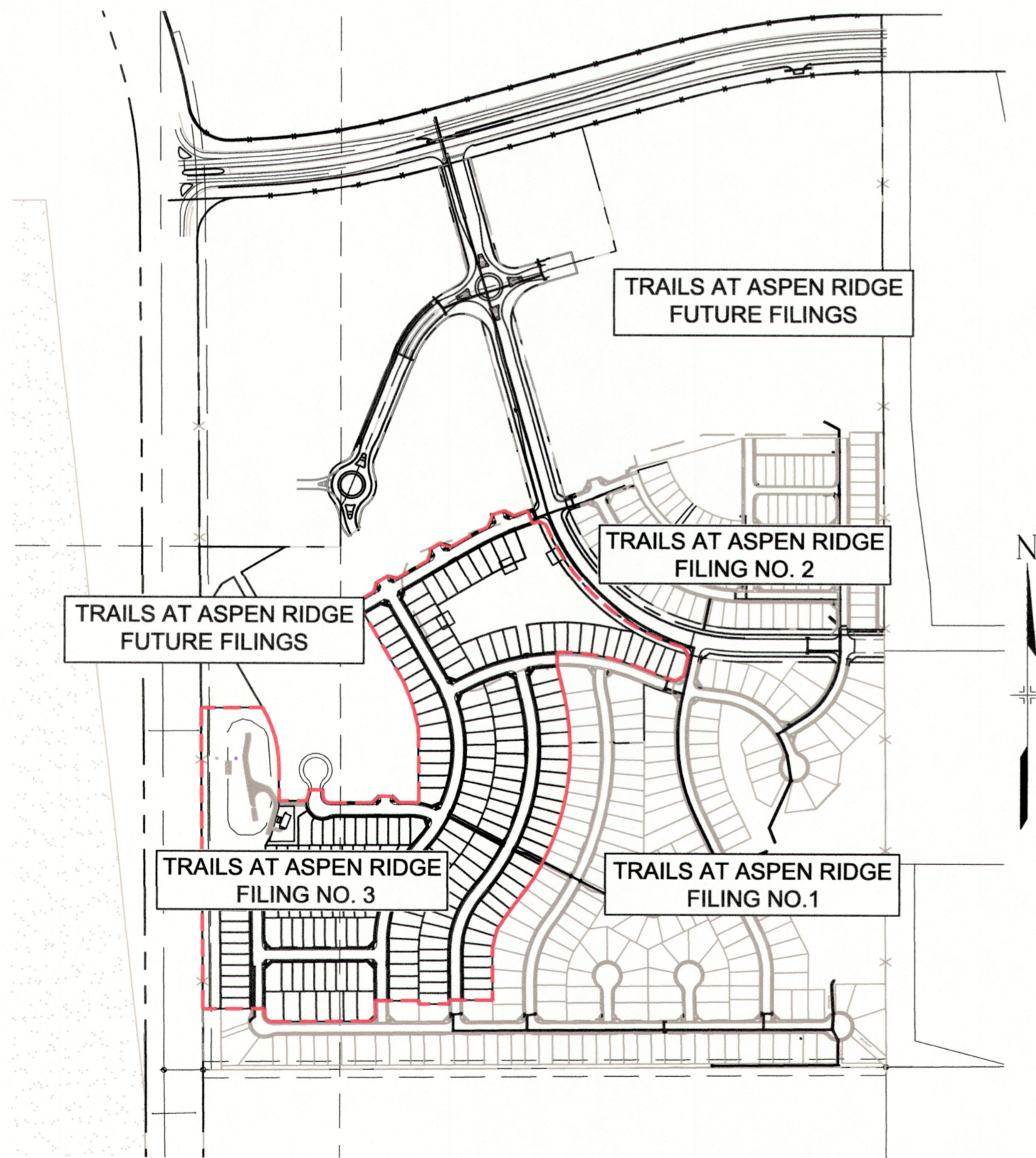
EL PASO COUNTY:

COUNTY PLAN REVIEW IS PROVIDED ONLY FOR GENERAL CONFORMANCE WITH COUNTY DESIGN CRITERIA. THE COUNTY IS NOT RESPONSIBLE FOR THE ACCURACY AND ADEQUACY OF THE DESIGN, DIMENSIONS, AND/OR ELEVATIONS WHICH SHALL BE CONFIRMED AT THE JOB SITE. THE COUNTY THROUGH THE APPROVAL OF THIS DOCUMENT ASSUMES NO RESPONSIBILITY FOR COMPLETENESS AND/OR ACCURACY OF THIS DOCUMENT.

FILED IN ACCORDANCE WITH THE REQUIREMENTS OF THE EL PASO COUNTY LAND DEVELOPMENT CODE, DRAINAGE CRITERIA MANUAL, VOLUMES 1 AND 2, AND ENGINEERING CRITERIA MANUAL AS AMENDED.

IN ACCORDANCE WITH ECM SECTION 1.12, THESE CONSTRUCTION DOCUMENTS WILL BE VALID FOR CONSTRUCTION FOR A PERIOD OF 2 YEARS FROM THE DATE SIGNED BY THE EL PASO COUNTY ENGINEER. IF CONSTRUCTION HAS NOT STARTED WITHIN THOSE 2 YEARS, THE PLANS WILL NEED TO BE RESUBMITTED FOR APPROVAL, INCLUDING PAYMENT OF REVIEW FEES AT THE PLANNING AND COMMUNITY DEVELOPMENT DIRECTORS DISCRETION.

JENNIFER IRVINE, P.E. DATE
COUNTY ENGINEER / ECM ADMINISTRATOR



SITE MAP

1" = 500

REFERENCE DRAWINGS	NO.	DATE	DESCRIPTION	BY
X-TM-GEC	###	###	###	###
X-886-PR SITE-F2	###	###	###	###
10415-EX-886	###	###	###	###
X-886-PR SITE-F1	###	###	###	###
X-886-PR-SITE-F3	###	###	###	###
X-886-EX-SURVEY	###	###	###	###
886-PR Legacy Drive-Roundabout	###	###	###	###
686-pr legacy drive	###	###	###	###

COMPUTER FILE MANAGEMENT	
FILE NAME:	S:\20.886.028 (Trails F3)\100 Dwg\104 Plan Sets\Construction Plans\GEC Plan\TS01.dwg
CTB FILE:	---
PLOT DATE:	March 1, 2022 3:40:47 PM
THIS DRAWING IS CURRENT AS OF PLOT DATE AND MAY BE SUBJECT TO CHANGE.	

BENCHMARK
COLORADO SPRINGS UTILITIES (FIMS) MONUMENT F206
A BERTSEN TOP SECURITY MONUMENT SYSTEM WITH A 3.5-INCH DIAMETER ALUMINUM CAP IN A ROAD BOX, LOCATED ON THE NORTHWEST CORNER OF FONTAINE BOULEVARD AND POWERS BOULEVARD.
ELEVATION - 5897.89' U.S. SURVEY FT

BASIS OF BEARING
BEARINGS ARE BASED ON THE NORTH LINE OF THE NORTHWEST QUARTER OF SECTION 9, TOWNSHIP 15 SOUTH, RANGE 65 WEST OF THE 6TH P.M. SAID LINE BEARS S89°51'23"E FROM THE NORTHWEST CORNER OF SAID SECTION 9 (2 1/2" AULM. CAP PLS 1766) TO THE N 1/4 CORNER OF SAID SECTION 9 (3 1/2" AULM. CAP PLS 10377)

PREPARED BY:



SEAL



FOR AND ON BEHALF OF
MATRIX DESIGN GROUP, INC.
PROJECT No. 20.886.028

TRAILS AT ASPEN RIDGE			
FILING NO. 3			
FINAL GRADING AND EROSION CONTROL PLANS			
TITLE SHEET			
DESIGNED BY: NMS	SCALE:	DATE ISSUED: AUGUST 2021	DRAWING No. TS01
DRAWN BY: TRS	HORIZ: N/A	SHEET 1 OF 9	
CHECKED BY: NMS	VERT: N/A		



Know what's below.
Call before you dig.

GENERAL CONSTRUCTION NOTES:

- STORMWATER DISCHARGES FROM CONSTRUCTION SITES SHALL NOT CAUSE OR THREATEN TO CAUSE POLLUTION, CONTAMINATION, OR DEGRADATION OF STATE WATERS. ALL WORK AND EARTH DISTURBANCE SHALL BE DONE IN A MANNER THAT MINIMIZES POLLUTION OF ANY ON-SITE OR OFF-SITE WATERS, INCLUDING WETLANDS.
- NOTWITHSTANDING ANYTHING DEPICTED IN THESE PLANS IN WORDS OR GRAPHIC REPRESENTATION, ALL DESIGN AND CONSTRUCTION RELATED TO ROADS, STORM DRAINAGE AND EROSION CONTROL SHALL CONFORM TO THE STANDARDS AND REQUIREMENTS OF THE MOST RECENT VERSION OF THE RELEVANT ADOPTED EL PASO COUNTY STANDARDS, INCLUDING THE LAND DEVELOPMENT CODE, THE ENGINEERING CRITERIA MANUAL, THE DRAINAGE CRITERIA MANUAL, AND THE DRAINAGE CRITERIA MANUAL VOLUME 2. ANY DEVIATIONS FROM REGULATIONS AND STANDARDS MUST BE REQUESTED, AND APPROVED, IN WRITING.
- A SEPARATE STORMWATER MANAGEMENT PLAN (SMWP) FOR THIS PROJECT SHALL BE COMPLETED AND AN EROSION AND STORMWATER QUALITY CONTROL PERMIT (ESQCP) ISSUED PRIOR TO COMMENCING CONSTRUCTION. DURING CONSTRUCTION THE SWMP IS THE RESPONSIBILITY OF THE DESIGNATED QUALIFIED STORMWATER MANAGER OR CERTIFIED EROSION CONTROL INSPECTOR. THE SWMP SHALL BE LOCATED ON SITE AT ALL TIMES DURING CONSTRUCTION AND SHALL BE KEPT UP TO DATE WITH WORK PROGRESS AND CHANGES IN THE FIELD.
- ONCE THE ESQCP IS APPROVED AND A "NOTICE TO PROCEED" HAS BEEN ISSUED, THE CONTRACTOR MAY INSTALL THE INITIAL STAGE EROSION AND SEDIMENT CONTROL MEASURES AS INDICATED ON THE APPROVED GEC. A PRECONSTRUCTION MEETING BETWEEN THE CONTRACTOR, ENGINEER, AND EL PASO COUNTY WILL BE HELD PRIOR TO ANY CONSTRUCTION. IT IS THE RESPONSIBILITY OF THE APPLICANT TO COORDINATE THE MEETING TIME AND PLACE WITH COUNTY STAFF.
- CONTROL MEASURES MUST BE INSTALLED PRIOR TO COMMENCEMENT OF ACTIVITIES THAT COULD CONTRIBUTE POLLUTANTS TO STORMWATER. TEMPORARY SEDIMENT AND EROSION CONTROL MEASURES FOR ALL SLOPES, CHANNELS, DITCHES, AND DISTURBED LAND AREAS SHALL BE INSTALLED IMMEDIATELY UPON COMPLETION OF THE DISTURBANCE.
- ALL TEMPORARY SEDIMENT AND EROSION CONTROL MEASURES SHALL BE MAINTAINED AND REMAIN IN EFFECTIVE OPERATING CONDITION UNTIL PERMANENT SOIL EROSION CONTROL MEASURES ARE IMPLEMENTED AND FINAL STABILIZATION IS ESTABLISHED. ALL PERSONS ENGAGED IN LAND DISTURBANCE ACTIVITIES SHALL ASSESS THE ADEQUACY OF CONTROL MEASURES AT THE SITE AND IDENTIFY IF CHANGES TO THOSE CONTROL MEASURES ARE NEEDED TO ENSURE THE CONTINUED EFFECTIVE PERFORMANCE OF THE CONTROL MEASURES. ALL CHANGES TO TEMPORARY SEDIMENT AND EROSION CONTROL MEASURES MUST BE INCORPORATED INTO THE STORMWATER MANAGEMENT PLAN PRIOR TO IMPLEMENTATION.
- TEMPORARY STABILIZATION SHALL BE IMPLEMENTED ON DISTURBED AREAS AND STOCKPILES WHERE GROUND DISTURBING CONSTRUCTION ACTIVITY HAS PERMANENTLY CEASED OR TEMPORARILY CEASED FOR LONGER THAN 14 DAYS. AN AREA THAT IS GOING TO REMAIN IN AN INTERIM STATE FOR MORE THAN 60 DAYS SHALL ALSO BE STABILIZED.
- FINAL STABILIZATION MUST BE IMPLEMENTED AT ALL APPLICABLE CONSTRUCTION SITES. FINAL STABILIZATION IS ACHIEVED WHEN ALL GROUND DISTURBING ACTIVITIES ARE COMPLETE AND ALL DISTURBED AREAS EITHER HAVE A UNIFORM VEGETATIVE COVER WITH INDIVIDUAL PLAN DENSITY OF 70 PERCENT OF PRE-DISTURBANCE LEVELS ESTABLISHED OR EQUIVALENT PERMANENT ALTERNATIVE STABILIZATION METHOD IS IMPLEMENTED. ALL TEMPORARY SEDIMENT AND EROSION CONTROL MEASURES SHALL BE REMOVED UPON FINAL STABILIZATION AND BEFORE PERMIT CLOSURE.
- ALL PERMANENT STORMWATER MANAGEMENT FACILITIES SHALL BE INSTALLED AS DEFINED IN THE APPROVED PLANS. ANY PROPOSED CHANGES THAT EFFECT THE HYDROLOGY OR HYDRAULICS OF A PERMANENT STORMWATER MANAGEMENT STRUCTURES MUST BE APPROVED BY THE ECM ADMINISTRATOR PRIOR TO IMPLEMENTATION.
- ANY EARTH DISTURBANCE SHALL BE CONDUCTED IN SUCH A MANNER SO AS TO EFFECTIVELY MINIMIZE ACCELERATED SOIL EROSION AND RESULTING SEDIMENTATION. ALL DISTURBANCES SHALL BE DESIGNED, CONSTRUCTED, AND COMPLETED SO THAT THE EXPOSED AREA OF ANY DISTURBED LAND SHALL BE LIMITED TO THE SHORTEST PRACTICAL PERIOD OF TIME. PRE-EXISTING VEGETATION SHALL BE PROTECTED AND MAINTAINED WITHIN 50 HORIZONTAL FEET OF A WATERS OF THE STATE, UNLESS INFEASIBLE.

- COMPACTION OF SOIL MUST BE PREVENTED IN AREAS DESIGNATED FOR INFILTRATION CONTROL MEASURES OR WHERE FINAL STABILIZATION WILL BE ACHIEVED BY VEGETATIVE COVER. AREAS DESIGNATED FOR INFILTRATION CONTROL SHALL ALSO BE PROTECTED FROM SEDIMENTATION DURING CONSTRUCTION UNTIL FINAL STABILIZATION IS ACHIEVED.
- ANY TEMPORARY OR PERMANENT FACILITY DESIGNED AND CONSTRUCTED FOR THE CONVEYANCE OF STORMWATER AROUND, THROUGH, OR FROM THE EARTH DISTURBANCE AREA SHALL BE A STABILIZED CONVEYANCE DESIGNED TO MINIMIZE EROSION AND THE DISCHARGE OF SEDIMENT OFF SITE.
- CONCRETE WASH WATER SHALL BE CONTAINED AND DISPOSED OF IN ACCORDANCE WITH THE SWMP. NO WASH WATER SHALL BE DISCHARGED TO OR ALLOWED TO RUNOFF TO STATE WATERS, INCLUDING ANY SURFACE OR SUBSURFACE STORM DRAINAGE SYSTEM OR FACILITIES. CONCRETE WASHOUT SHALL NOT BE LOCATED IN AN AREA WHERE SHALLOW GROUNDWATER MAY BE PRESENT, OR WITHIN 50 FEET OF A SURFACE WATER BODY.
- DURING DEWATERING OPERATIONS OF UNCONTAMINATED GROUND WATER MAY BE DISCHARGED ON SITE, BUT SHALL NOT LEAVE THE SITE IN THE FORM OF SURFACE RUNOFF UNLESS AN APPROVED STATE DEWATERING PERMIT IS IN PLACE.
- EROSION CONTROL BLANKETING OR OTHER PROTECTIVE COVERING SHALL BE USED ON SLOPES STEEPER THAN 3:1.
- CONTRACTOR SHALL BE RESPONSIBLE FOR THE REMOVAL OF ALL WASTES FROM THE CONSTRUCTION SITE FOR DISPOSAL IN ACCORDANCE WITH LOCAL AND STATE REGULATORY REQUIREMENTS. NO CONSTRUCTION DEBRIS, TREE SLASH, BUILDING MATERIAL WASTES OR UNUSED BUILDING MATERIALS SHALL BE BURIED, DUMPED, OR DISCHARGED AT THE SITE.
- WASTE MATERIALS SHALL NOT BE TEMPORARILY PLACED OR STORED IN THE STREET, ALLEY, OR OTHER PUBLIC WAY, UNLESS IN ACCORDANCE WITH AN APPROVED TRAFFIC CONTROL PLAN. CONTROL MEASURES MAY BE REQUIRED BY EL PASO COUNTY ENGINEERING IF DEEMED NECESSARY, BASED ON SPECIFIC CONDITIONS AND CIRCUMSTANCES.
- TRACKING OF SOILS AND CONSTRUCTION DEBRIS OFF-SITE SHALL BE MINIMIZED. MATERIALS TRACKED OFF-SITE SHALL BE CLEANED UP AND PROPERLY DISPOSED OF IMMEDIATELY.
- THE OWNER/DEVELOPER SHALL BE RESPONSIBLE FOR THE REMOVAL OF ALL CONSTRUCTION DEBRIS, DIRT, TRASH, ROCK, SEDIMENT, SOIL, AND SAND THAT MAY ACCUMULATE IN ROADS, STORM DRAINS AND OTHER DRAINAGE CONVEYANCE SYSTEMS AND STORMWATER APPURTENANCES AS A RESULT OF SITE DEVELOPMENT.
- THE QUANTITY OF MATERIALS STORED ON THE PROJECT SITE SHALL BE LIMITED, AS MUCH AS PRACTICAL, TO THAT QUANTITY REQUIRED TO PERFORM THE WORK IN AN ORDERLY SEQUENCE. ALL MATERIALS STORED ON-SITE SHALL BE STORED IN A NEAT, ORDERLY MANNER, IN THEIR ORIGINAL CONTAINERS, WITH ORIGINAL MANUFACTURER'S LABELS.
- NO CHEMICAL(S) HAVING THE POTENTIAL TO BE RELEASED IN STORMWATER ARE TO BE STORED OR USED ONSITE UNLESS PERMISSION FOR THE USE OF SUCH CHEMICAL(S) IS GRANTED IN WRITING BY THE ECM ADMINISTRATOR. IN GRANTING APPROVAL FOR THE USE OF SUCH CHEMICAL(S), SPECIAL CONDITIONS AND MONITORING MAY BE REQUIRED.
- BULK STORAGE OF ALLOWED PETROLEUM PRODUCTS OR OTHER ALLOWED LIQUID CHEMICALS IN EXCESS OF 55 GALLONS SHALL REQUIRE ADEQUATE SECONDARY CONTAINMENT PROTECTION TO CONTAIN ALL SPILLS ONSITE AND TO PREVENT ANY SPILLED MATERIALS FROM ENTERING STATE WATERS, ANY SURFACE OR SUBSURFACE STORM DRAINAGE SYSTEM OR OTHER FACILITIES.
- NO PERSON SHALL CAUSE THE IMPEDIMENT OF STORMWATER FLOW IN THE CURB AND GUTTER OR DITCH EXCEPT WITH APPROVED SEDIMENT CONTROL MEASURES.
- OWNER/DEVELOPER AND THEIR AGENTS SHALL COMPLY WITH THE "COLORADO WATER QUALITY CONTROL ACT" (TITLE 25, ARTICLE 8, CRS), AND THE "CLEAN WATER ACT" (33 USC 1344), IN ADDITION TO THE REQUIREMENTS OF THE LAND DEVELOPMENT CODE, DCM VOLUME II AND THE ECM APPENDIX I. ALL APPROPRIATE PERMITS MUST BE OBTAINED BY THE CONTRACTOR PRIOR TO CONSTRUCTION (1041, NPDES, FLOODPLAIN, 404, FUGITIVE DUST, ETC.). IN THE EVENT OF CONFLICTS BETWEEN THESE REQUIREMENTS AND OTHER LAWS, RULES, OR REGULATIONS OF OTHER FEDERAL, STATE, LOCAL, OR

COUNTY AGENCIES, THE MOST RESTRICTIVE LAWS, RULES, OR REGULATIONS SHALL APPLY.

- ALL CONSTRUCTION TRAFFIC MUST ENTER/EXIT THE SITE ONLY AT APPROVED CONSTRUCTION ACCESS POINTS.
- PRIOR TO CONSTRUCTION THE PERMITTEE SHALL VERIFY THE LOCATION OF EXISTING UTILITIES.
- A WATER SOURCE SHALL BE AVAILABLE ON SITE DURING EARTHWORK OPERATIONS AND SHALL BE UTILIZED AS REQUIRED TO MINIMIZE DUST FROM EARTHWORK EQUIPMENT AND WIND.
- THE SOILS REPORT FOR THIS SITE HAS BEEN PREPARED BY ENTECH ENGINEERING, INC., DATED AUGUST 9, 2019 AND SHALL BE CONSIDERED A PART OF THESE PLANS.
- AT LEAST TEN (10) DAYS PRIOR TO THE ANTICIPATED START OF CONSTRUCTION, FOR PROJECTS THAT WILL DISTURB ONE (1) ACRE OR MORE, THE OWNER OR OPERATOR OF CONSTRUCTION ACTIVITY SHALL SUBMIT A PERMIT APPLICATION FOR STORMWATER DISCHARGE TO THE COLORADO DEPARTMENT OF PUBLIC HEALTH AND ENVIRONMENT, WATER QUALITY DIVISION. THE APPLICATION CONTAINS CERTIFICATION OF COMPLETION OF A STORMWATER MANAGEMENT PLAN (SWMP), OF WHICH THIS GRADING AND EROSION CONTROL PLAN MAY BE A PART. FOR INFORMATION OR APPLICATION MATERIALS CONTACT:

COLORADO DEPARTMENT OF PUBLIC HEALTH AND ENVIRONMENT
WATER QUALITY CONTROL DIVISION
WQCD - PERMITS
4300 CHERRY CREEK DRIVE SOUTH
DENVER, CO 80246-1530
ATTN: PERMITS UNIT

NRCS SOIL SURVEY FOR EL PASO COUNTY

SOIL ID NO.	SOIL TYPE	HYDROLOGIC CLASSIFICATION
8	BLACKLAND LOAMY SAND (1%-9% SLOPES)	B
52	MANZANST CLAY LOAM (0%-3% SLOPES)	C
56	NELSON-TASSEL FINE SANDY LOAM (3%-18% SLOPES)	B
108	WILEY SILT LOAM (3%-9% SLOPES)	B

TIMING

ANTICIPATED STARTING AND COMPLETION TIME PERIOD OF SITE GRADING:
NOVEMBER 2021 THRU DECEMBER 2022

EXPECTED DATE ON WHICH THE FINAL STABILIZATION WILL BE COMPLETED:
DECEMBER 2022

AREAS

TOTAL AREA: 39.14 ACRES

RECEIVING WATERS

NAME OF RECEIVING WATERS
FOUNTAIN CREEK (ULTIMATE)

ENGINEER'S NOTES:

THE EXISTING VEGETATION CONSISTS OF NATIVE GRASSES AND SCRUB OAK. BASED ON SITE VISITS AND A REVIEW OF AERIAL PHOTOGRAPHY, THE VEGETATIVE COVER AT ASPEN RIDGE FILING NO. 3 IS APPROXIMATELY 100%.

NPDES NOTES:

- THE CONTRACTOR SHALL REMOVE ALL SEDIMENT, MUD, AND CONSTRUCTION DEBRIS THAT MAY ACCUMULATE IN THE FLOWLINES AND PUBLIC RIGHTS OF WAYS AS A RESULT OF THIS CONSTRUCTION PROJECT. SAID REMOVAL SHALL BE CONDUCTED IN A TIMELY MANNER, OR AS DIRECTED BY THE ENGINEER.
- THIS CONSTRUCTION ACTIVITIES STORMWATER MANAGEMENT PLAN (SWMP) HAS BEEN SUBMITTED AS PART OF AN APPLICATION FOR AN EROSION AND SEDIMENT CONTROL PERMIT FILED WITH THE CITY OF COLORADO SPRINGS AND AS INCLUSION BY REFERENCE TO THE CDPHE CONSTRUCTION ACTIVITY PERMIT. THE SWMP IS A LIVING DOCUMENT AND ADDITIONAL EROSION AND SEDIMENT CONTROL MEASURES MAY BE REQUIRED OF THE CONTRACTOR DUE TO UNFORESEEN EROSION PROBLEMS OR IF THE SUBMITTED PLAN DOES NOT FUNCTION AS INTENDED. THE REQUIREMENTS OF THIS PLAN SHALL BE THE OBLIGATION OF THE LAND OWNER AND/OR HIS SUCCESSORS OR HEIRS; UNTIL SUCH TIME AS THE PLAN IS PROPERLY COMPLETED, MODIFIED, OR VOIDED.
- THE CONTRACTOR SHALL BE HELD RESPONSIBLE FOR REMEDIATION OF ANY ADVERSE IMPACTS TO ADJACENT WATERWAYS, WETLANDS, ETC., RESULTING FROM WORK DONE AS PART OF THIS PROJECT.
- THE CONTRACTOR SHALL PREVENT SEDIMENT, DEBRIS AND ALL OTHER POLLUTANTS FROM ENTERING THE STORM SEWER SYSTEM DURING ALL DEMOLITION, EXCAVATION, TRENCHING, BORING, GRADING OR OTHER CONSTRUCTION OPERATIONS THAT ARE PART OF THIS PROJECT.
- A LAYER OF SUITABLE MULCH SHALL BE APPLIED TO ALL DISTURBED PORTIONS OF THE SITE WITHIN 21 DAYS OF THE COMPLETION OF GRADING. SAID MULCH SHALL BE APPLIED AT A RATE OF 2 TONS PER ACRE AND SHALL BE TACKED OR FASTENED BY AN APPROVED METHOD SUITABLE FOR THE TYPE OF MULCH USED. ROUGH-CUT STREETS SHALL BE MULCHED UNLESS A LAYER OF AGGREGATE ROAD BASE OR ASPHALT PAVING IS TO BE APPLIED TO SAID ROUGH-CUT STREETS WITHIN THE 21 DAY PERIOD AFTER COMPLETION OF OVERLOT GRADING. AN AREA THAT IS GOING TO REMAIN IN AN INTERIM STATE FOR MORE THEN SIXTY (60) DAYS SHALL ALSO BE SEEDED. ALL TEMPORARY SOIL EROSION CONTROL MEASURES AND BMP'S SHALL BE MAINTAINED UNTIL PERMANENT SOIL EROSION CONTROL MEASURES ARE IMPLEMENTED.
- THE CONTRACTOR SHALL LOCATE, INSTALL, AND MAINTAIN ALL EROSION CONTROL AND WATER QUALITY "BEST MANAGEMENT PRACTICES" AS INDICATED IN THE APPROVED CONSTRUCTION ACTIVITIES STORMWATER MANAGEMENT PLAN. BMP'S SHALL BE MAINTAINED AND KEPT IN GOOD REPAIR FOR THE DURATION OF THIS PROJECT.
- AT A MINIMUM, THE CONTRACTOR SHALL INSPECT, AND KEEP A LOG OF, ALL BMP'S WEEKLY AND AFTER SIGNIFICANT PRECIPITATION EVENTS. ALL NECESSARY MAINTENANCE AND REPAIR SHALL BE COMPLETED IN A TIMELY MANNER. ACCUMULATED SEDIMENT AND DEBRIS SHALL BE REMOVED FROM A BMP WHEN THE SEDIMENT LEVEL REACHES ONE-HALF THE HEIGHT OF THE BMP, OR, AT ANY TIME THAT SEDIMENT OR DEBRIS ADVERSELY IMPACTS THE FUNCTIONING OF THE BMP.
- THE CONTRACTOR SHALL PROPERLY COVER ALL LOADS OF CUT AND FILL MATERIAL IMPORTED TO OR EXPORTED FROM THIS SITE TO PREVENT LOSS OF THE MATERIAL DURING TRANSPORT WITHIN PUBLIC RIGHTS OF WAY.
- THE USE OF REBAR, STEEL STAKES, OR STEEL FENCE POSTS TO STAKE DOWN STRAW OR HAY BALES; OR TO SUPPORT SILT FENCING USED AS AN EROSION CONTROL MEASURE; IS PROHIBITED. THE USE OF OSHA APPROVED COLORED WARNING CAPS ON REBAR OR FENCE POSTS USED WITH EROSION CONTROL MEASURES IS NOT ACCEPTABLE.
- SOILS THAT WILL BE STOCKPILED FOR MORE THAN 30 DAYS SHALL BE MULCHED AND SEEDED WITH A TEMPORARY OR PERMANENT GRASS COVER WITHIN 21 DAYS OF STOCKPILE CONSTRUCTION. IF STOCKPILES ARE LOCATED WITHIN 100 FEET OF A DRAINAGEWAY, ADDITIONAL SEDIMENT CONTROLS SUCH AS TEMPORARY DIKES OR SILT FENCE SHALL BE REQUIRED.
- MODIFICATION OF AN ACTIVE EROSION AND SEDIMENT CONTROL PERMIT BY THE CONTRACTOR SHALL REQUIRE TIMELY NOTIFICATION OF AND APPROVAL BY THE CITY OF COLORADO SPRINGS. TERMINATION OF AN ACTIVE EROSION AND SEDIMENT CONTROL PERMIT UPON COMPLETION OF THE PROJECT REQUIRES NOTIFICATION OF AND APPROVAL BY THE CITY OF COLORADO SPRINGS.
- UNLESS CONFINED IN A PREDEFINED, BERMED CONTAINMENT AREA, THE CLEANING OF CONCRETE TRUCK DELIVERY CHUTES IS PROHIBITED AT THE JOB SITE. THE DISCHARGE OF WATER CONTAINING WASTE CEMENT TO THE STORM SEWER SYSTEM IS PROHIBITED.
- THE CONTRACTOR SHALL PROTECT ALL STORM SEWER FACILITIES ADJACENT TO ANY LOCATION WHERE PAVEMENT CUTTING OPERATIONS INVOLVING WHEEL CUTTING, SAW CUTTING OR ABRASIVE WATER JET CUTTING ARE TO TAKE PLACE. THE DISCHARGE OF ANY WATER CONTAMINATED BY WASTE PRODUCTS FROM CUTTING OPERATIONS TO THE STORM SEWER SYSTEM IS PROHIBITED. THE CONTRACTOR SHALL REMOVE AND PROPERLY DISPOSE OF ALL WASTE PRODUCTS GENERATED BY SAID CUTTING OPERATIONS ON A DAILY BASIS.
- LOCATION OF STAGING, STORAGE, EQUIPMENT MAINTENANCE, TEMPORARY DISPOSAL, VEHICLE TRACKING CONTROL AND CONCRETE TRUCK WASHOUT AREAS WILL BE DETERMINED IN THE FIELD AT THE START OF CONSTRUCTION ACTIVITY AND DELINEATED ON THIS PLAN.

PCD FILING NO.: SF-21-022

REFERENCE DRAWINGS	###	###	###	###
X-T&B-GEC	###	###	###	###
	###	###	###	###
	###	###	###	###
	###	###	###	###
	###	###	###	###
No.	DATE	DESCRIPTION	BY	
REVISIONS				
COMPUTER FILE MANAGEMENT				
FILE NAME: S:\20.886.028 (Trails F3)\100 Dwg\104 Plan Sets\Construction Plans\GEC Plan\GN01.dwg				
CTB FILE: ---				
PLOT DATE: April 26, 2022 3:24:17 PM				
THIS DRAWING IS CURRENT AS OF PLOT DATE AND MAY BE SUBJECT TO CHANGE.				

BENCHMARK
COLORADO SPRINGS UTILITIES (FIMS) MONUMENT F206
A BERNTSEN TOP SECURITY MONUMENT SYSTEM WITH A 3.5-INCH DIAMETER ALUMINUM CAP IN A ROAD BOX, LOCATED ON THE NORTHWEST CORNER OF FONTAINE BOULEVARD AND POWERS BOULEVARD.
ELEVATION - 5897.89' U.S. SURVEY FT

BASIS OF BEARING
BEARINGS ARE BASED ON THE NORTH LINE OF THE NORTHWEST QUARTER OF SECTION 9, TOWNSHIP 15 SOUTH, RANGE 65 WEST OF THE 6TH P.M. SAID LINE BEARS S89°51'23"E FROM THE NORTHWEST CORNER OF SAID SECTION 9 (2 1/2' AULM. CAP PLS 17664) TO THE N 1/4 CORNER OF SAID SECTION 9 (3 1/2' AULM. CAP PLS 10377)

PREPARED BY:

SEAL

FOR AND ON BEHALF OF
MATRIX DESIGN GROUP, INC.
PROJECT No. 20.886.028

TRAILS AT ASPEN RIDGE					
FILING NO. 3 FINAL GRADING AND EROSION CONTROL PLANS					
GENERAL NOTES SHEET					
DESIGNED BY:	NMS	SCALE:	DATE ISSUED:	AUGUST 2021	DRAWING No.
DRAWN BY:	TRS	HORIZ N/A	SHEET	2 OF 9	GN01
CHECKED BY:	NMS	VERT. N/A			



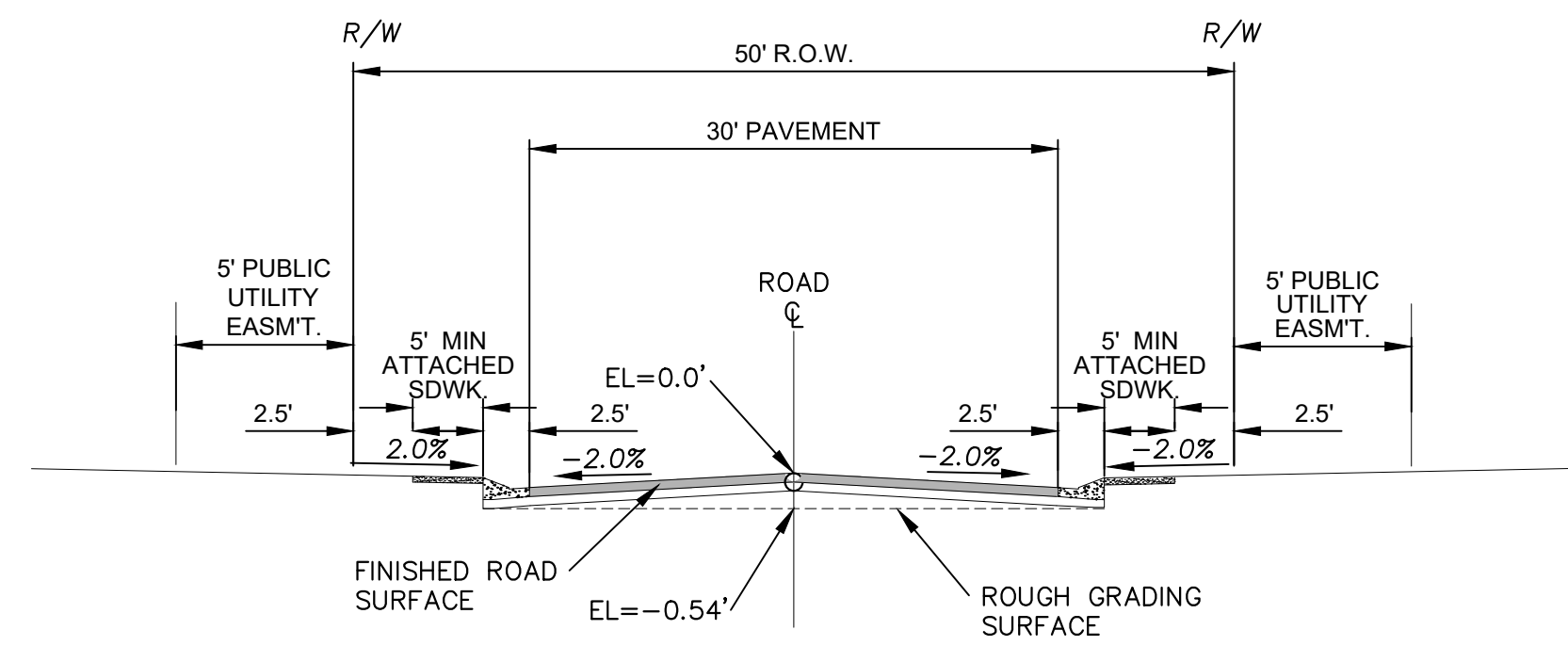
Know what's below.
Call before you dig.

SYMBOLS

	PROPOSED CENTERLINE		PROPOSED MANHOLE
	EXISTING PAVED ROAD		EXISTING POWER POLE
	EXISTING UNDERGROUND UTILITY		THRUST BLOCK
	PROPOSED UNDERGROUND UTILITY		FIRE HYDRANT
	RIGHT OF WAY		EXISTING WATER VALVE
	EASEMENT		PROPOSED WATER VALVE
	EXISTING CURB & GUTTER		WATER FITTINGS
	PROPOSED CURB & GUTTER		EXISTING STORM INLET
	EXISTING CONTOUR		PROPOSED STORM DRAIN/INLET
	PROPOSED CONTOUR		PLUG PIPE
	LIMITS OF CONSTRUCTION/DISTURBANCE		PROPOSED SIGN
	PHASE LINE		EXISTING SIGN

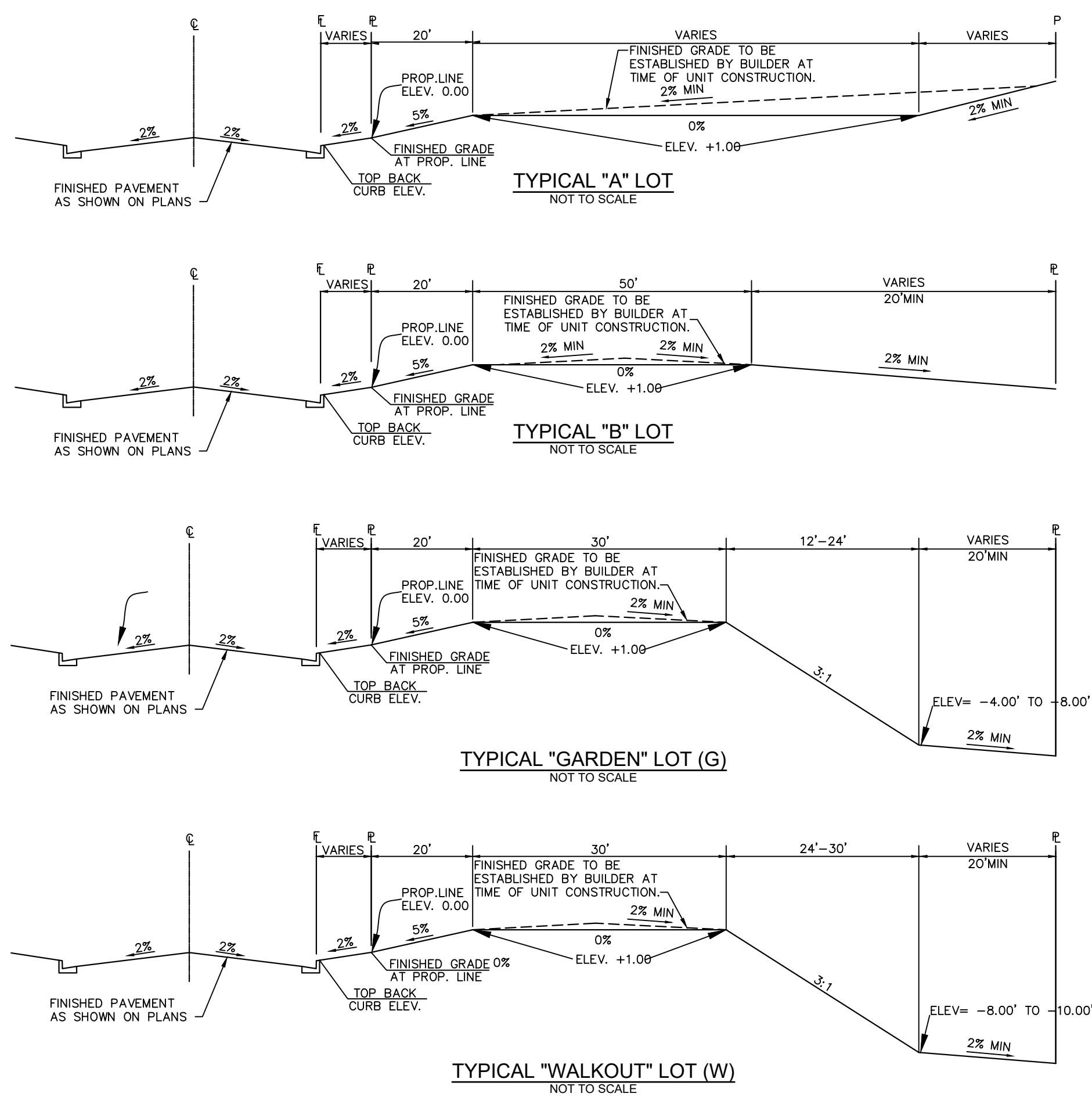
ABBREVIATIONS

ASSY	ASSEMBLY
ASTM	AMERICAN SOCIETY OF TESTING AND MATERIALS
APPROX	APPROXIMATE or APPROXIMATELY
AVE	AVENUE
AVG	AVERAGE
BLVD	BOULEVARD
BTM	BOTTOM
CDOT	COLORADO DEPARTMENT OF TRANSPORTATION
CEN	CENTER
C or CL	CENTERLINE
CFS	CUBIC FEET PER SECOND
CONC	CONCRETE
CONST	CONSTRUCTION
CONT	CONTINUOUS
DIA	DIAMETER
DWG	DRAWING
EA	EACH
EGL	ENERGY GRADE LINE
ELEV or EL	ELEVATION
ESMT	EASEMENT
EX or EXIST	EXISTING
FES	FLARED END SECTION
F or FL	FLOWLINE
FLG	FLANGE
FT	FOOT/FEET
HGL	HYDRAULIC GRADE LINE
HP	HIGH POINT
HORIZ	HORIZONTAL
HCL	HORIZONTAL CONTROL LINE
INV	INVERT
LF	LINEAR FEET
LANE	LANE
LP	LOW POINT
LT	LEFT
MAX	MAXIMUM
MH	MANHOLE
MIN	MINIMUM
MJ	MECHANICAL JOINT
NTS	NOT TO SCALE
O/S	OFFSET
PR	PROPOSED
PC	POINT OF CURVATURE
PCC	POINT OF COMPOUND CURVE
PCR	POINT OF CURB RETURN
P or P/L	PROPERTY LINE
PRC	POINT OF REVERSE CURVE
PT	POINT OF TANGENCY
PVC	POINT OF VERTICAL CURVE or POLYVINYL CHLORIDE
PVI	POINT OF VERTICAL INTERSECTION
PVMT	PAVEMENT
PVT	POINT OF VERTICAL TANGENT
RCP	REINFORCED CONCRETE PIPE
RED	REDUCER
REF	REFERENCE
REQ	REQUIRED
REV	REVISION
ROW	RIGHT-OF-WAY
RT	RIGHT
SD	STORM SEWER
ST	STREET
STA	STATION
STD	STANDARD
SS	SANITARY SEWER
SW or S/W	SIDEWALK
TAN	TANGENT
TBC	TOP BACK OF CURB
TYP	TYPICAL
UG	UNDERGROUND
UTIL	UTILITY
VERT	VERTICAL
W	WIDTH
w/	WITH



LOT TYPES

- (A) "A" LOT
- (B) "B" LOT
- (G) "GARDEN LEVEL" LOT
- (W) "WALKOUT" LOT
- (T) "TRANSITION" LOT

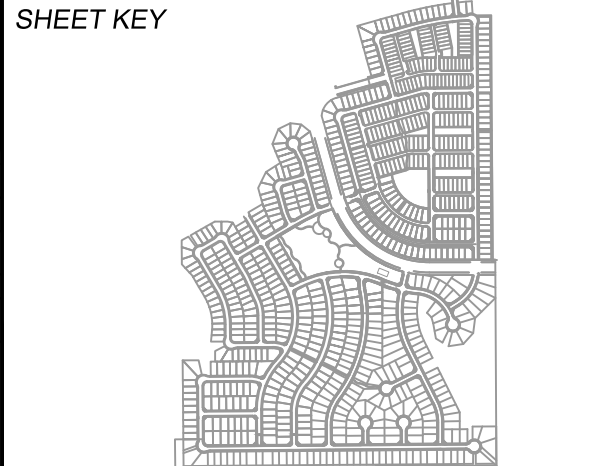


PCD FILING NO.: SF-21-022

REFERENCE DRAWINGS	NO.	DATE	DESCRIPTION	BY
X-TRIP-GEC	###	###	###	###
X-886-EX-BASE	###	###	###	###
X-886-EX-SURVEY	###	###	###	###
X-886-PR-SITE_F1	###	###	###	###
X-886-PR-SITE_F2	###	###	###	###
886-PR Legacy Drive-Roundabout	###	###	###	###
886-PR legacy drive	###	###	###	###
X-886-PR-SITE - F3	###	###	###	###

COMPUTER FILE MANAGEMENT

FILE NAME: S:\20.886.028 (Trails F3)\100 Dwg\104 Plan Sets\Construction Plans\GEC Plan\GEN01.dwg
 CTB FILE: ---
 PLOT DATE: April 26, 2022 3:25:06 PM
 THIS DRAWING IS CURRENT AS OF PLOT DATE AND MAY BE SUBJECT TO CHANGE.



BENCHMARK
 COLORADO SPRINGS UTILITIES (FIMS) MONUMENT F206
 A BERNTSEN TOP SECURITY MONUMENT SYSTEM WITH A 3.5-INCH DIAMETER ALUMINUM CAP IN A ROAD BOX, LOCATED ON THE NORTHWEST CORNER OF FONTAINE BOULEVARD AND POWERS BOULEVARD.
 ELEVATION - 5897.89' U.S. SURVEY FT

BASIS OF BEARING
 BEARINGS ARE BASED ON THE NORTH LINE OF THE NORTHWEST QUARTER OF SECTION 9, TOWNSHIP 15 SOUTH, RANGE 65 WEST OF THE 6TH P.M. SAID LINE BEARS S89°51'23"E FROM THE NORTHWEST CORNER OF SAID SECTION 9 (2 1/2" AULM. CAP PLS 17664) TO THE N 1/4 CORNER OF SAID SECTION 9 (3 1/2" AULM. CAP PLS 10377)

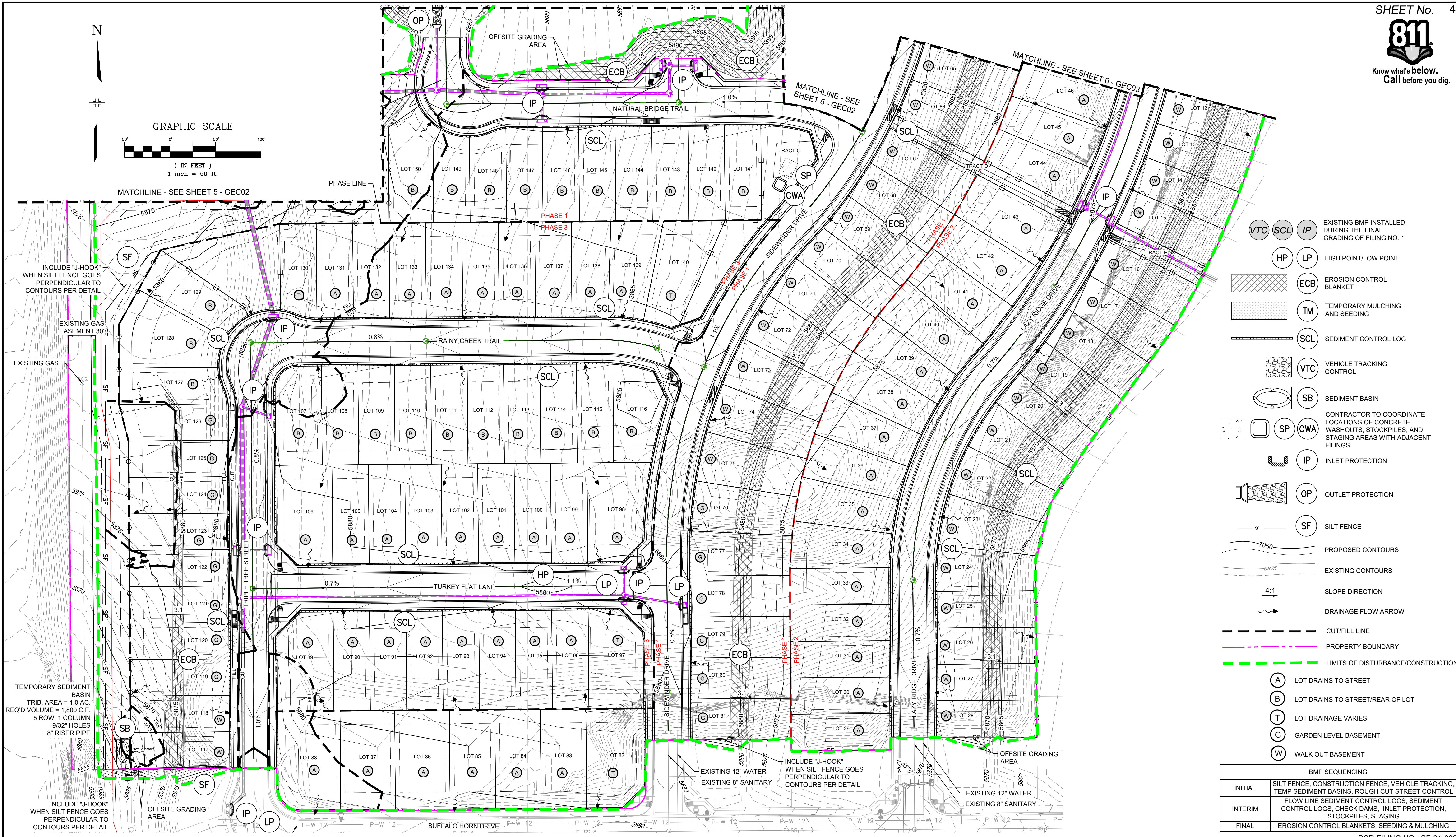
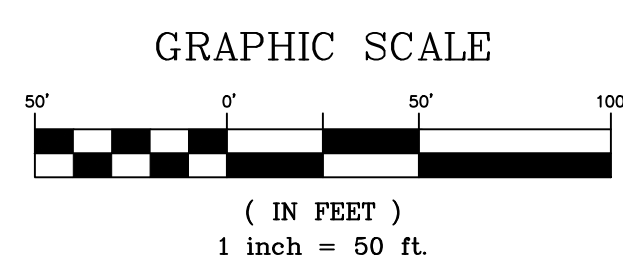
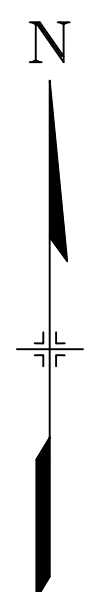
PREPARED BY:



TRAILS AT ASPEN RIDGE			
FILING NO. 3 FINAL GRADING AND EROSION CONTROL PLANS			
LEGEND & ABBREVIATION NOTES			
DESIGNED BY: NMS	SCALE: N/A	DATE ISSUED: AUGUST 2021	DRAWING No. GEN01
DRAWN BY: TRS	HORIZ: N/A	SHEET: 3 OF 9	
CHECKED BY: NMS	VERT: N/A		



Know what's below. Call before you dig.



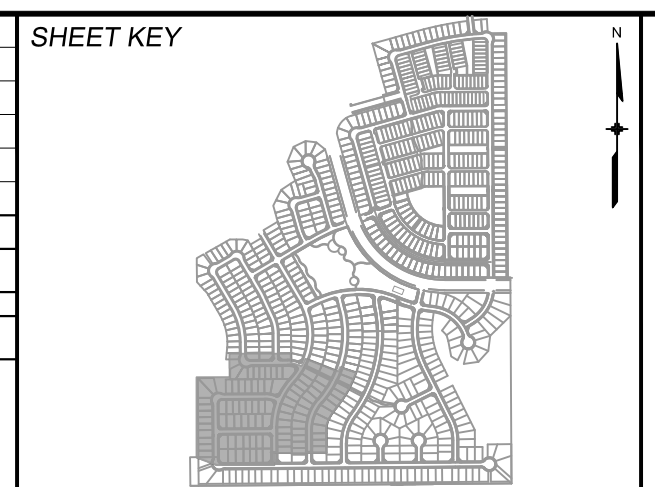
- VTC EXISTING BMP INSTALLED DURING THE FINAL GRADING OF FILING NO. 1
- SCL
- IP
- HP HIGH POINT/LOW POINT
- LP
- ECB EROSION CONTROL BLANKET
- TM TEMPORARY MULCHING AND SEEDING
- SCL SEDIMENT CONTROL LOG
- VTC VEHICLE TRACKING CONTROL
- SB SEDIMENT BASIN
- SP CONTRACTOR TO COORDINATE LOCATIONS OF CONCRETE WASHOUTS, STOCKPILES, AND STAGING AREAS WITH ADJACENT FILINGS
- CWA
- IP INLET PROTECTION
- OP OUTLET PROTECTION
- SF SILT FENCE
- PROPOSED CONTOURS
- EXISTING CONTOURS
- SLOPE DIRECTION
- DRAINAGE FLOW ARROW
- CUT/FILL LINE
- PROPERTY BOUNDARY
- LIMITS OF DISTURBANCE/CONSTRUCTION
- A LOT DRAINS TO STREET
- B LOT DRAINS TO STREET/REAR OF LOT
- T LOT DRAINAGE VARIES
- G GARDEN LEVEL BASEMENT
- W WALK OUT BASEMENT

BMP SEQUENCING	
INITIAL	SILT FENCE, CONSTRUCTION FENCE, VEHICLE TRACKING, TEMP SEDIMENT BASINS, ROUGH CUT STREET CONTROL
INTERIM	FLOW LINE SEDIMENT CONTROL LOGS, SEDIMENT CONTROL LOGS, CHECK DAMS, INLET PROTECTION, STOCKPILES, STAGING
FINAL	EROSION CONTROL BLANKETS, SEEDING & MULCHING

PCD FILING NO.: SF-21-022

REFERENCE DRAWINGS	NO.	DATE	DESCRIPTION
X-886-EX-BASE	###	###	###
X-886-EX SURVEY	###	###	###
X-886-PR-SITE-F1	###	###	###
X-886-PR-SITE-F2	###	###	###
X-886-PR Legacy Drive-Roundabout	###	###	###
X-886-PR-SITE-F3	###	###	###
X-TRM-GEC	###	###	###
10415-Ex Util	###	###	###
19-886-PR-UTIL	###	###	###
X-886-PR-STORM-F1	###	###	###
X-886-PR-UTIL-F2	###	###	###
X-886-PR-UTIL_SANITARY	###	###	###
X-886-PR-WTR	###	###	###
X-886-PR-WTR-F3	###	###	###
X-886-PR-WTR-F4	###	###	###
X-886-PR-WTR-F5	###	###	###
X-886-PR-WTR-F6	###	###	###
X-886-PR-WTR-F7	###	###	###
X-886-PR-WTR-F8	###	###	###

COMPUTER FILE MANAGEMENT
FILE NAME: S:\20.886.028 (Trails F3)\100 Dwg\104 Plan Sets\Construction Plans\GEC Plan\GEC01.dwg
CTB FILE: ----
PLOT DATE: April 26, 2022 3:27:08 PM
THIS DRAWING IS CURRENT AS OF PLOT DATE AND MAY BE SUBJECT TO CHANGE.



BENCHMARK
 COLORADO SPRINGS UTILITIES (FIMS) MONUMENT F206
 A BERTSEN TOP SECURITY MONUMENT SYSTEM WITH A 3.5-INCH DIAMETER ALUMINUM CAP IN A ROAD BOX, LOCATED ON THE NORTHWEST CORNER OF FONTAINE BOULEVARD AND POWERS BOULEVARD.
 ELEVATION - 5897.89' U.S. SURVEY FT

BASIS OF BEARING
 BEARINGS ARE BASED ON THE NORTH LINE OF THE NORTHWEST QUARTER OF SECTION 9, TOWNSHIP 15 SOUTH, RANGE 65 WEST OF THE 6TH P.M. SAID LINE BEARS S89°51'23"E FROM THE NORTHWEST CORNER OF SAID SECTION 9 (2 1/2' AULM. CAP PLS 17664) TO THE N 1/4 CORNER OF SAID SECTION 9 (3 1/2' AULM. CAP PLS 10377)

PREPARED BY:

SEAL

TRAILS AT ASPEN RIDGE

FILING NO. 3
 FINAL GRADING AND EROSION CONTROL PLANS

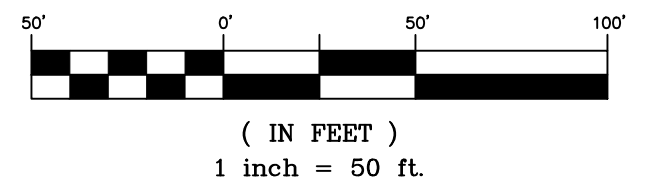
GRADING & EROSION CONTROL PLAN

DESIGNED BY: NMS	SCALE: 1" = 50'	DATE ISSUED: AUGUST 2021	DRAWING No. GEC01
DRAWN BY: TRS	HORIZ: N/A	SHEET 4 OF 9	
CHECKED BY: NMS	VERT: N/A		



Know what's below.
Call before you dig.

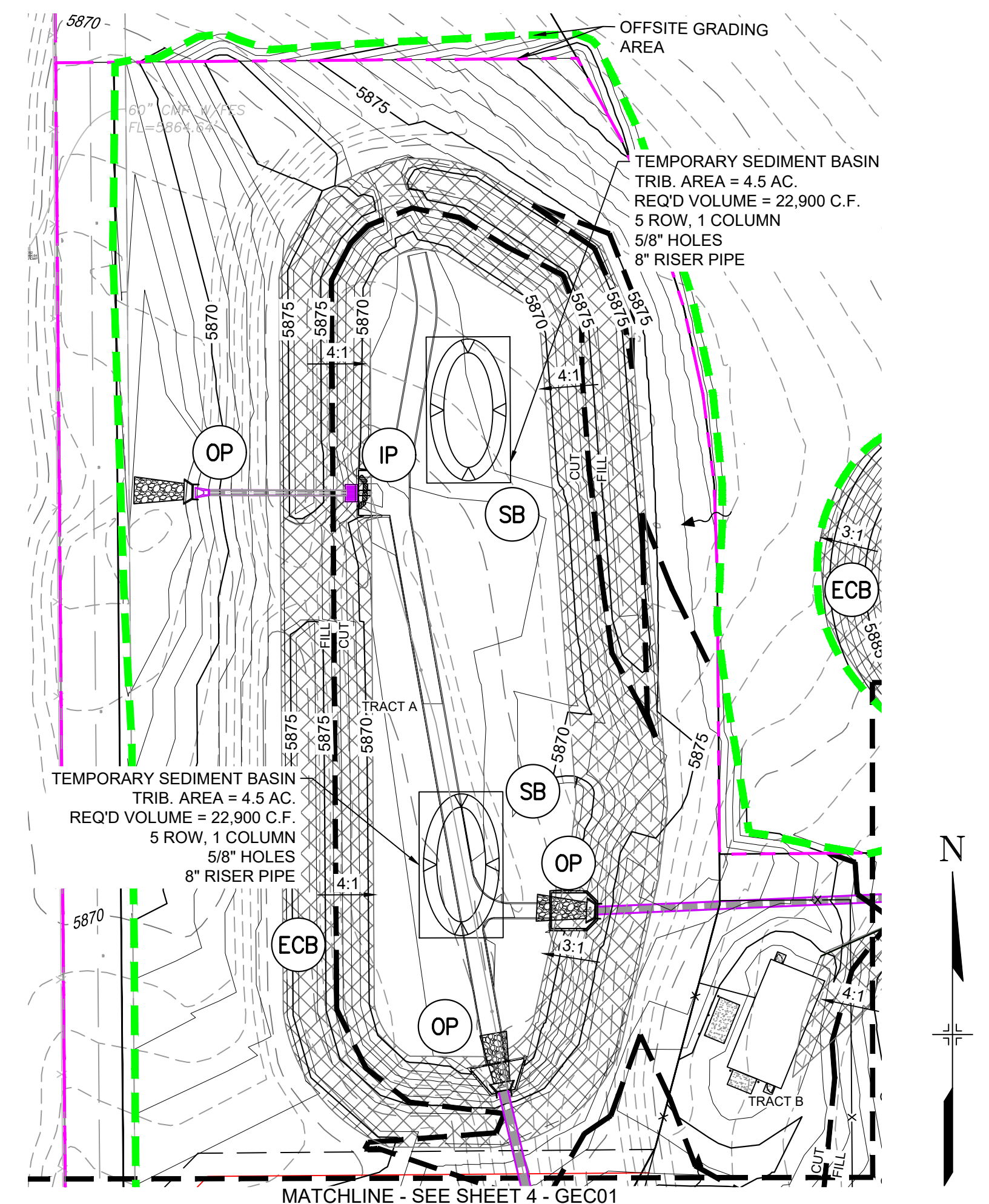
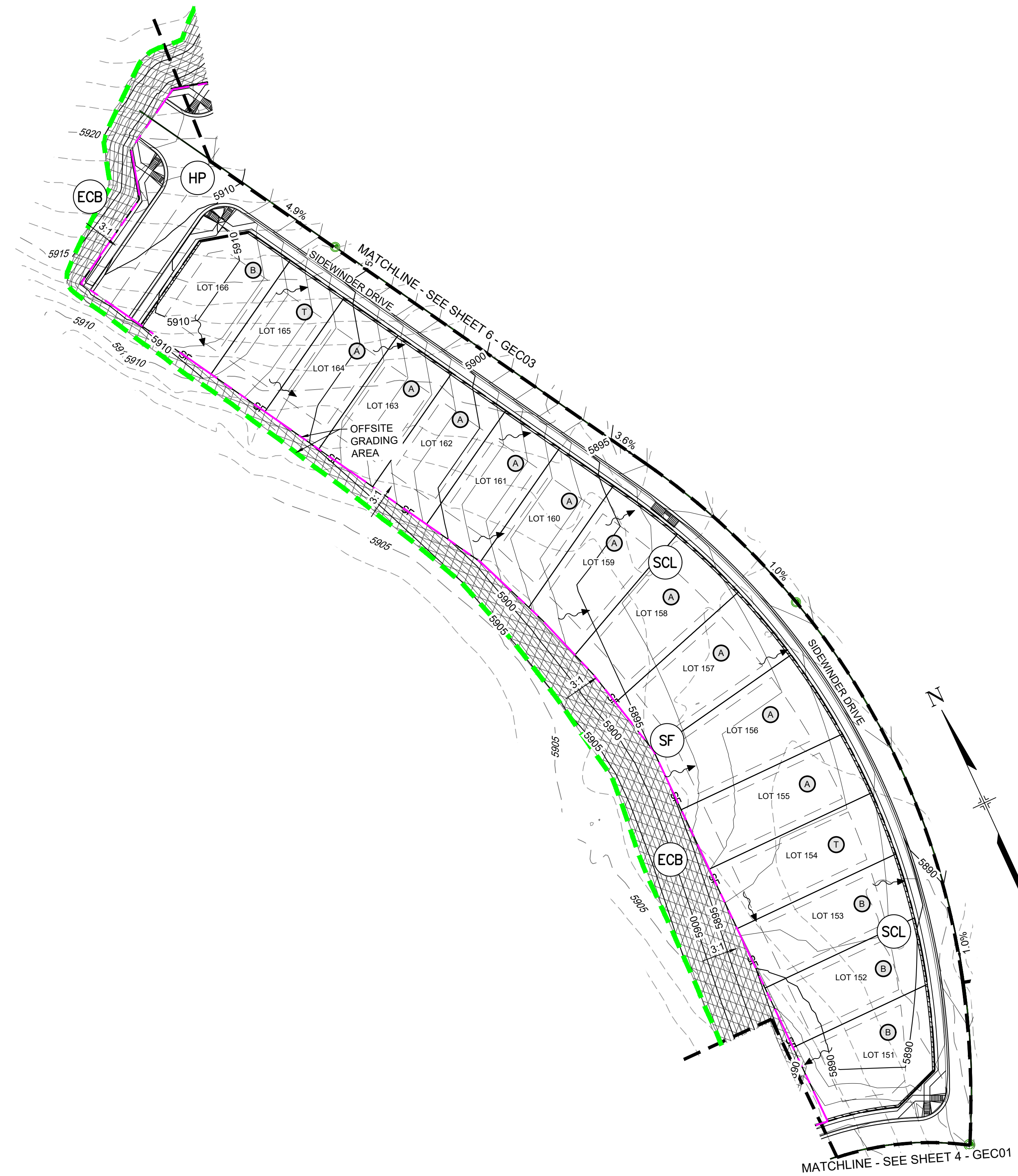
GRAPHIC SCALE



- EXISTING BMP INSTALLED DURING THE FINAL GRADING OF FILING NO. 1
- HIGH POINT/LOW POINT
- EROSION CONTROL BLANKET
- TEMPORARY MULCHING AND SEEDING
- SEDIMENT CONTROL LOG
- VEHICLE TRACKING CONTROL
- SEDIMENT BASIN
- CONTRACTOR TO COORDINATE LOCATIONS OF CONCRETE WASHOUTS, STOCKPILES, AND STAGING AREAS WITH ADJACENT FILINGS
- INLET PROTECTION
- OUTLET PROTECTION
- SILT FENCE
- PROPOSED CONTOURS
- EXISTING CONTOURS
- SLOPE DIRECTION
- DRAINAGE FLOW ARROW
- CUT/FILL LINE
- PROPERTY BOUNDARY
- LIMITS OF DISTURBANCE/CONSTRUCTION
- LOT DRAINS TO STREET
- LOT DRAINS TO STREET/REAR OF LOT
- LOT DRAINAGE VARIES
- GARDEN LEVEL BASEMENT
- WALK OUT BASEMENT

BMP SEQUENCING	
INITIAL	SILT FENCE, CONSTRUCTION FENCE, VEHICLE TRACKING, TEMP SEDIMENT BASINS, ROUGH CUT STREET CONTROL
INTERIM	FLOW LINE SEDIMENT CONTROL LOGS, SEDIMENT CONTROL LOGS, CHECK DAMS, INLET PROTECTION, STOCKPILES, STAGING
FINAL	EROSION CONTROL BLANKETS, SEEDING & MULCHING

PCD FILING NO.: SF-21-022



TRAILS AT ASPEN RIDGE

FILING NO. 3
FINAL GRADING AND EROSION CONTROL PLANS

GRADING & EROSION CONTROL PLAN

DESIGNED BY: NMS	SCALE: HORIZ. 1" = 50'	DATE ISSUED: AUGUST 2021	DRAWING No. GEC02
DRAWN BY: TRS	VERT. N/A	SHEET 5 OF 9	
CHECKED BY: NMS			

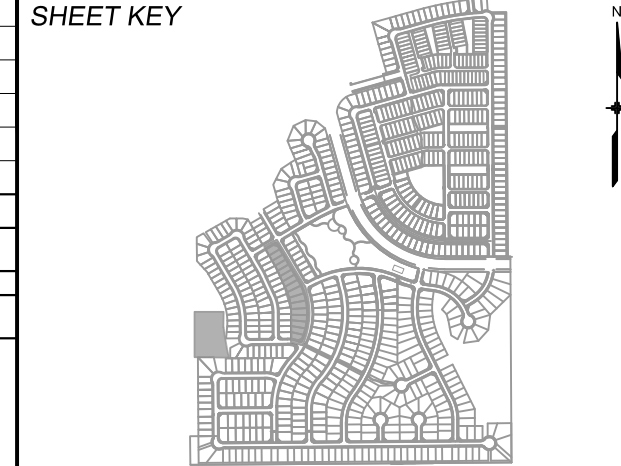
SEAL

FOR AND ON BEHALF OF
MATRIX DESIGN GROUP, INC.
PROJECT No. 20.886.028

PREPARED BY:

BENCHMARK
COLORADO SPRINGS UTILITIES (FIMS) MONUMENT F206
A BERTNSEN TOP SECURITY MONUMENT SYSTEM WITH A 3.5-INCH DIAMETER ALUMINUM CAP IN A ROAD BOX, LOCATED ON THE NORTHWEST CORNER OF FONTAINE BOULEVARD AND POWERS BOULEVARD.
ELEVATION - 5897.89' U.S. SURVEY FT

BASIS OF BEARING
BEARINGS ARE BASED ON THE NORTH LINE OF THE NORTHWEST QUARTER OF SECTION 9, TOWNSHIP 15 SOUTH, RANGE 65 WEST OF THE 6TH P.M. SAID LINE BEARS S89°51'23"E FROM THE NORTHWEST CORNER OF SAID SECTION 9 (2 1/2' AULM. CAP PLS 17664) TO THE N 1/4 CORNER OF SAID SECTION 9 (3 1/2' AULM. CAP PLS 10377)

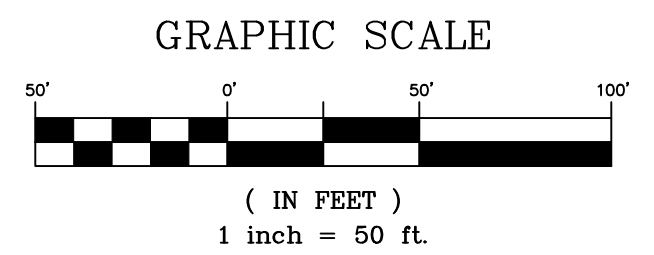
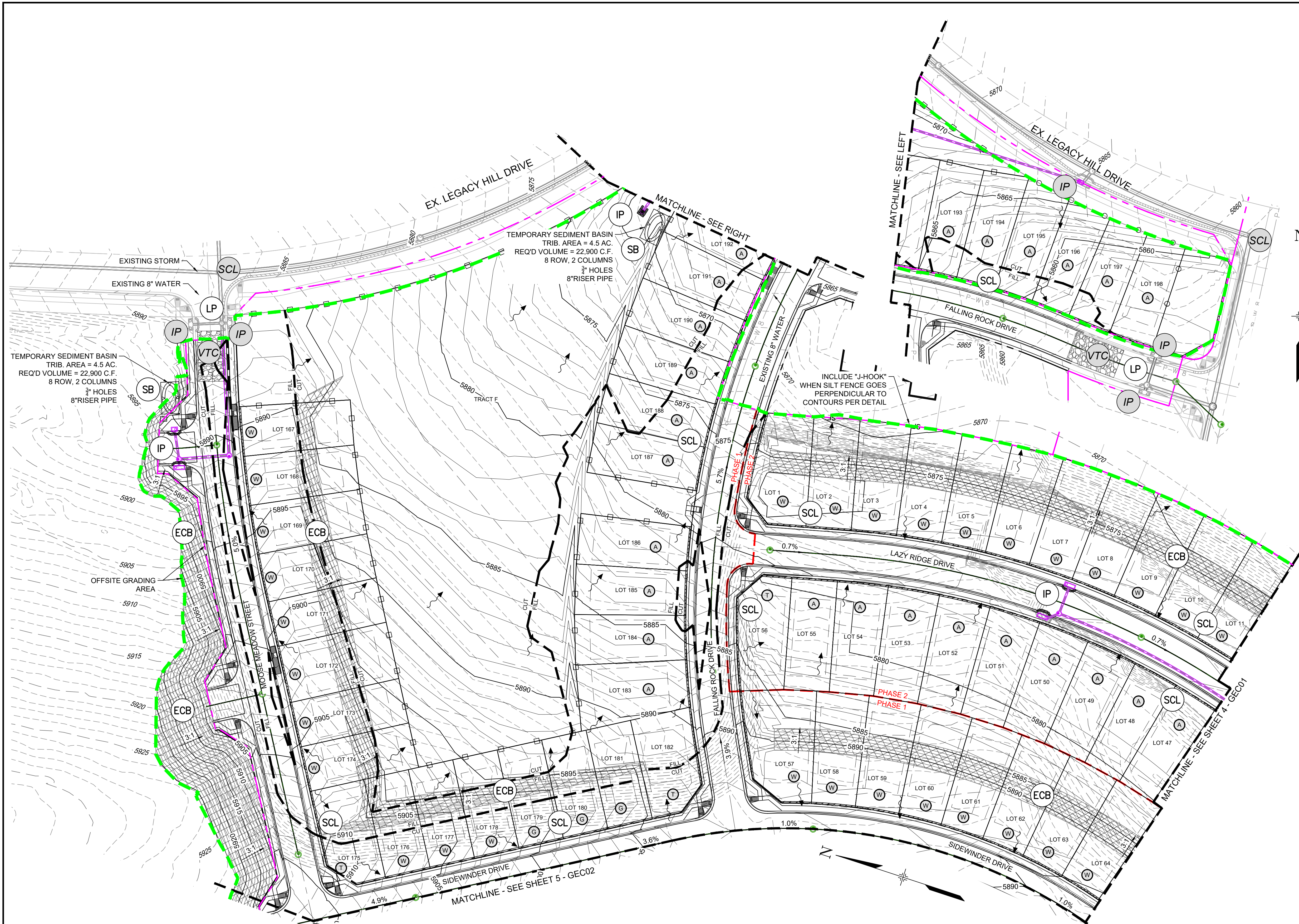


REFERENCE DRAWINGS	NO.	DATE	DESCRIPTION	BY
X-886-EX-BASE	###	###	###	###
X-886-EX SURVEY	###	###	###	###
X-886-PR SITE - F1	###	###	###	###
X-886-PR SITE-F2	###	###	###	###
886-PR Legacy Drive-Roundabout	###	###	###	###
X-886-PR-SITE - F3	###	###	###	###
X-TM-GEC				
10415-Ex Util				
19-886-PR-UTIL				
X-886-PR-STORM-F1				
X-886-PR-UTIL-F2				
19-886-PR-UTIL_SANITARY				
X-886-PR-WTR				
X-886-PR-WTR-F3				
X-886-PR-WTR-F8				
X-886-PR-WTR-F5				
X-886-PR-WTR-F4				
X-886-SB-WTR-FZ				

COMPUTER FILE MANAGEMENT
FILE NAME: S:\20.886.028 (Trails F3)\100 Dwg\104 Plan Sets\Construction Plans\GEC Plan\GEC01.dwg
CTB FILE: ----
PLOT DATE: April 26, 2022 3:27:23 PM
THIS DRAWING IS CURRENT AS OF PLOT DATE AND MAY BE SUBJECT TO CHANGE.



Know what's below.
Call before you dig.

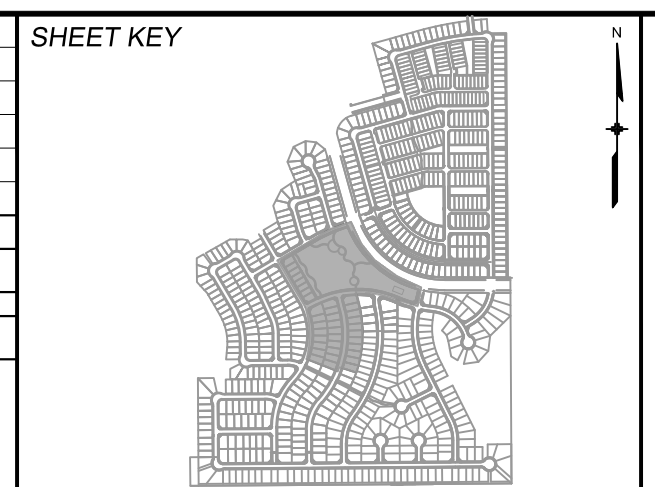


- EXISTING BMP INSTALLED DURING THE FINAL GRADING OF FILING NO. 1
- HIGH POINT/LOW POINT
- EROSION CONTROL BLANKET / TEMPORARY MULCHING AND SEEDING
- SEDIMENT CONTROL LOG
- VEHICLE TRACKING CONTROL
- SEDIMENT BASIN
- CONTRACTOR TO COORDINATE LOCATIONS OF CONCRETE WASHOUTS, STOCKPILES, AND STAGING AREAS WITH ADJACENT FILINGS
- INLET PROTECTION
- OUTLET PROTECTION
- SILT FENCE
- PROPOSED CONTOURS
- EXISTING CONTOURS
- SLOPE DIRECTION
- DRAINAGE FLOW ARROW
- CUT/FILL LINE
- PROPERTY BOUNDARY
- LIMITS OF DISTURBANCE/CONSTRUCTION
- LOT DRAINS TO STREET
- LOT DRAINS TO STREET/REAR OF LOT
- LOT DRAINAGE VARIES
- GARDEN LEVEL BASEMENT
- WALK OUT BASEMENT

BMP SEQUENCING	
INITIAL	SILT FENCE, CONSTRUCTION FENCE, VEHICLE TRACKING, TEMP SEDIMENT BASINS, ROUGH CUT STREET CONTROL
INTERIM	FLOW LINE SEDIMENT CONTROL LOGS, SEDIMENT CONTROL LOGS, CHECK DAMS, INLET PROTECTION, STOCKPILES, STAGING
FINAL	EROSION CONTROL BLANKETS, SEEDING & MULCHING

PCD FILING NO.: SF-21-022

REFERENCE DRAWINGS	NO.	DATE	DESCRIPTION REVISIONS
X-886-EX-BASE	###	###	###
X-886-EX SURVEY	###	###	###
X-886-PR SITE - F1	###	###	###
X-886-PR SITE-F2	###	###	###
886-PR Legacy Drive-Roundabout	###	###	###
X-786-PR SITE - F3	###	###	###
X-786-PR SITE - F4	###	###	###
X-786-PR SITE - F5	###	###	###
X-786-PR SITE - F6	###	###	###
X-786-PR SITE - F7	###	###	###
X-786-PR SITE - F8	###	###	###
X-786-PR SITE - F9	###	###	###
X-786-PR SITE - F10	###	###	###
X-786-PR SITE - F11	###	###	###
X-786-PR SITE - F12	###	###	###
X-786-PR SITE - F13	###	###	###
X-786-PR SITE - F14	###	###	###
X-786-PR SITE - F15	###	###	###
X-786-PR SITE - F16	###	###	###
X-786-PR SITE - F17	###	###	###
X-786-PR SITE - F18	###	###	###
X-786-PR SITE - F19	###	###	###
X-786-PR SITE - F20	###	###	###
X-786-PR SITE - F21	###	###	###
X-786-PR SITE - F22	###	###	###
X-786-PR SITE - F23	###	###	###
X-786-PR SITE - F24	###	###	###
X-786-PR SITE - F25	###	###	###
X-786-PR SITE - F26	###	###	###
X-786-PR SITE - F27	###	###	###
X-786-PR SITE - F28	###	###	###
X-786-PR SITE - F29	###	###	###
X-786-PR SITE - F30	###	###	###
X-786-PR SITE - F31	###	###	###
X-786-PR SITE - F32	###	###	###
X-786-PR SITE - F33	###	###	###
X-786-PR SITE - F34	###	###	###
X-786-PR SITE - F35	###	###	###
X-786-PR SITE - F36	###	###	###
X-786-PR SITE - F37	###	###	###
X-786-PR SITE - F38	###	###	###
X-786-PR SITE - F39	###	###	###
X-786-PR SITE - F40	###	###	###
X-786-PR SITE - F41	###	###	###
X-786-PR SITE - F42	###	###	###
X-786-PR SITE - F43	###	###	###
X-786-PR SITE - F44	###	###	###
X-786-PR SITE - F45	###	###	###
X-786-PR SITE - F46	###	###	###
X-786-PR SITE - F47	###	###	###
X-786-PR SITE - F48	###	###	###
X-786-PR SITE - F49	###	###	###
X-786-PR SITE - F50	###	###	###
X-786-PR SITE - F51	###	###	###
X-786-PR SITE - F52	###	###	###
X-786-PR SITE - F53	###	###	###
X-786-PR SITE - F54	###	###	###
X-786-PR SITE - F55	###	###	###
X-786-PR SITE - F56	###	###	###
X-786-PR SITE - F57	###	###	###
X-786-PR SITE - F58	###	###	###
X-786-PR SITE - F59	###	###	###
X-786-PR SITE - F60	###	###	###
X-786-PR SITE - F61	###	###	###
X-786-PR SITE - F62	###	###	###
X-786-PR SITE - F63	###	###	###
X-786-PR SITE - F64	###	###	###
X-786-PR SITE - F65	###	###	###
X-786-PR SITE - F66	###	###	###
X-786-PR SITE - F67	###	###	###
X-786-PR SITE - F68	###	###	###
X-786-PR SITE - F69	###	###	###
X-786-PR SITE - F70	###	###	###
X-786-PR SITE - F71	###	###	###
X-786-PR SITE - F72	###	###	###
X-786-PR SITE - F73	###	###	###
X-786-PR SITE - F74	###	###	###
X-786-PR SITE - F75	###	###	###
X-786-PR SITE - F76	###	###	###
X-786-PR SITE - F77	###	###	###
X-786-PR SITE - F78	###	###	###
X-786-PR SITE - F79	###	###	###
X-786-PR SITE - F80	###	###	###
X-786-PR SITE - F81	###	###	###
X-786-PR SITE - F82	###	###	###
X-786-PR SITE - F83	###	###	###
X-786-PR SITE - F84	###	###	###
X-786-PR SITE - F85	###	###	###
X-786-PR SITE - F86	###	###	###
X-786-PR SITE - F87	###	###	###
X-786-PR SITE - F88	###	###	###
X-786-PR SITE - F89	###	###	###
X-786-PR SITE - F90	###	###	###
X-786-PR SITE - F91	###	###	###
X-786-PR SITE - F92	###	###	###
X-786-PR SITE - F93	###	###	###
X-786-PR SITE - F94	###	###	###
X-786-PR SITE - F95	###	###	###
X-786-PR SITE - F96	###	###	###
X-786-PR SITE - F97	###	###	###
X-786-PR SITE - F98	###	###	###
X-786-PR SITE - F99	###	###	###
X-786-PR SITE - F100	###	###	###



BENCHMARK
COLORADO SPRINGS UTILITIES (FIMS) MONUMENT F206
A BERTSEN TOP SECURITY MONUMENT SYSTEM WITH A 3.5-INCH DIAMETER ALUMINUM CAP IN A ROAD BOX, LOCATED ON THE NORTHWEST CORNER OF FONTAINE BOULEVARD AND POWERS BOULEVARD.
ELEVATION - 5897.89' U.S. SURVEY FT

BASIS OF BEARING
BEARINGS ARE BASED ON THE NORTH LINE OF THE NORTHWEST QUARTER OF SECTION 9, TOWNSHIP 15 SOUTH, RANGE 65 WEST OF THE 6TH P.M. SAID LINE BEARS S89°51'23"E FROM THE NORTHWEST CORNER OF SAID SECTION 9 (2 1/2' AULM. CAP PLS 17664) TO THE N 1/4 CORNER OF SAID SECTION 9 (3 1/2' AULM. CAP PLS 10377)

PREPARED BY:
Matrix



TRAILS AT ASPEN RIDGE

FILING NO. 3
FINAL GRADING AND EROSION CONTROL PLANS

GRADING & EROSION CONTROL PLAN

DESIGNED BY:	NMS	SCALE:	DATE ISSUED:	AUGUST 2021	DRAWING No.
DRAWN BY:	TRS	HORIZ:	1" = 50'		GEC03
CHECKED BY:	NMS	VERT:	N/A	SHEET	6 OF 9



Know what's below. Call before you dig.

MULCHING NOTES

INSTALLATION REQUIREMENTS

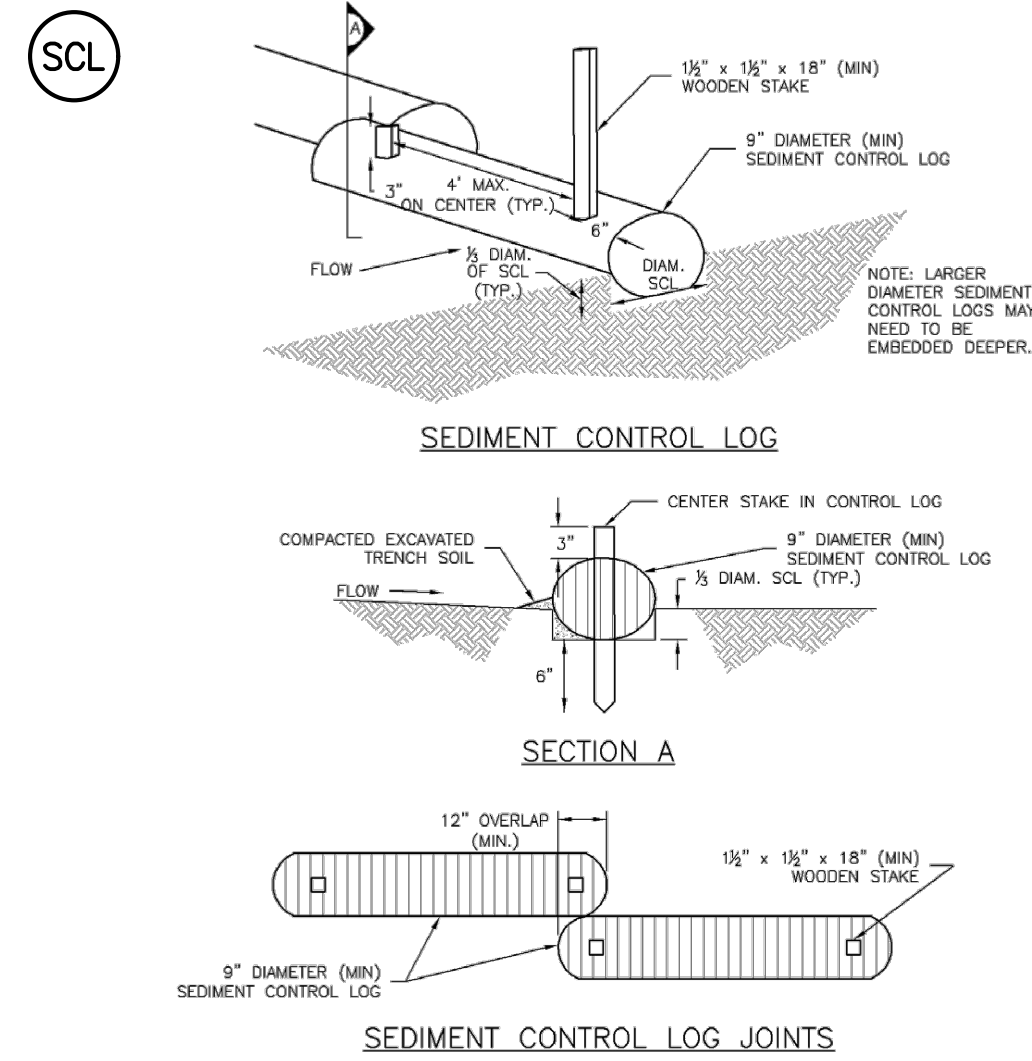
- 1. ALL DISTURBED AREAS MUST BE MULCHED WITHIN 21 DAYS AFTER FINAL GRADE AND SEEDED AREAS ARE TO BE MULCHED WITHIN 24 HOURS AFTER SEEDING.
2. MATERIAL USED FOR MULCH CAN BE CERTIFIED CLEAN, WEED- AND SEED-FREE LONG STEMMED FIELD OR MARSH HAY, OR STRAW OF OATS, BARLEY, WHEAT, RYE, OR TRITICALE CERTIFIED BY THE COLORADO DEPARTMENT OF AGRICULTURE WEED FREE FORAGE CERTIFICATION PROGRAM.
3. HYDRAULIC MULCHING MATERIAL SHALL CONSIST OF VIRGIN WOOD FIBER MANUFACTURED FROM CLEAN WHOLE WOOD CHIPS. WOOD CHIPS CANNOT CONTAIN ANY GROWTH OR GERMINATION INHIBITORS OR BE PRODUCED FROM RECYCLED MATERIAL. GRAVEL CAN ALSO BE USED.
4. MULCH IS TO BE APPLIED EVENLY AT A RATE OF 2 TONS PER ACRE.
5. MULCH IS TO BE ANCHORED EITHER BY CRIMPING (TUCKING MULCH FIBERS 4 INCHES INTO THE SOIL), USING NETTING (USED ON SMALL AREAS WITH STEEP SLOPES), OR WITH A TACKIFIER.
6. HYDRAULIC MULCHING AND TACKIFIERS ARE NOT TO BE USED IN THE PRESENCE OF FREE SURFACE WATER.

MAINTENANCE REQUIREMENTS

- 1. REGULAR INSPECTIONS ARE TO BE MADE OF ALL MULCHED AREAS.
2. MULCH IS TO BE REPLACED IMMEDIATELY IN THOSE AREAS IT HAS BEEN REMOVED, AND IF NECESSARY THE AREA SHOULD BE RESEDED.

City of Colorado Springs Stormwater Quality

Figure MU-1 Mulching Construction Detail and Maintenance Requirements



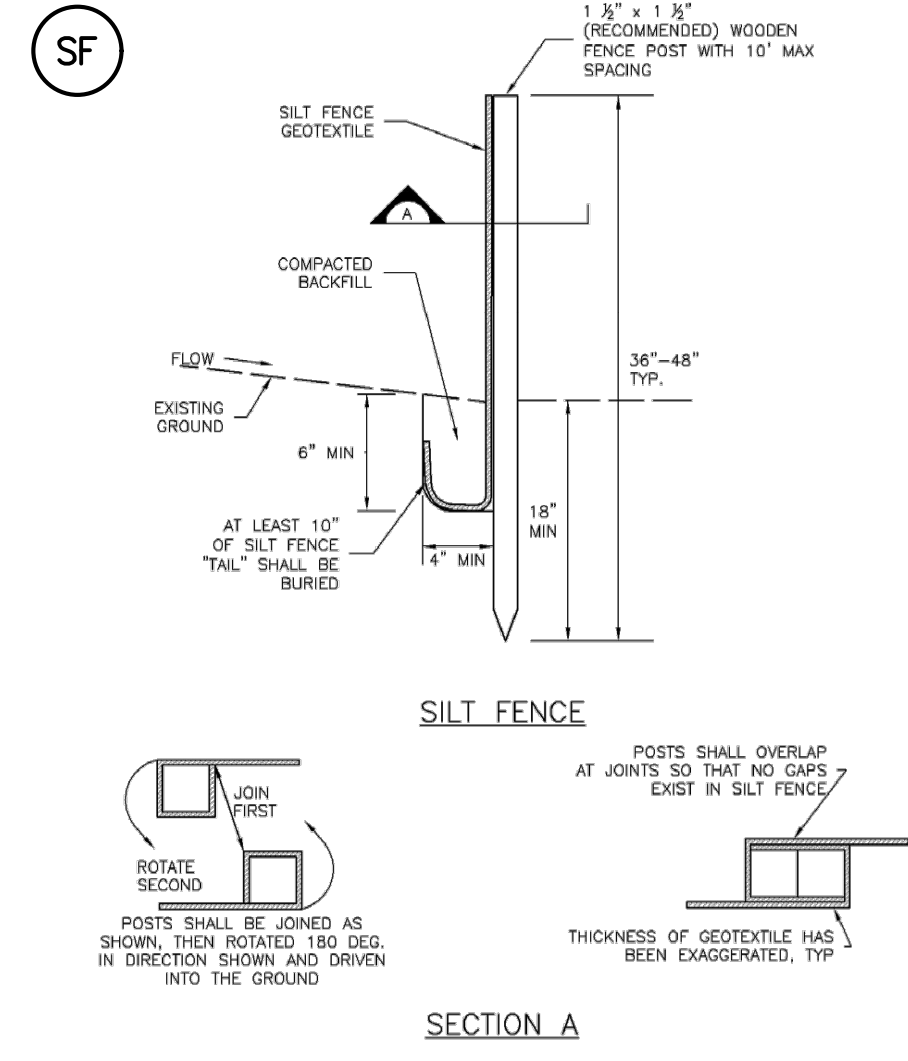
INSTALLATION NOTES:

- 1. SEE PLAN VIEW FOR LOCATION AND LENGTH OF SEDIMENT CONTROL LOGS.
2. SEDIMENT CONTROL LOGS THAT ACT AS PERIMETER CONTROL SHALL BE INSTALLED PRIOR TO ANY UPGRADIENT LAND-DISTURBING ACTIVITIES.
3. SEDIMENT CONTROL LOGS SHALL CONSIST OF STRAW, COMPOST, EXCELISIOR OR COCONUT FIBER, AND SHALL BE FREE OF ANY NOXIOUS WEED SEEDS OR DEFECTS INCLUDING RIPS, HOLES AND OBVIOUS WEAR.
4. SEDIMENT CONTROL LOGS MAY BE USED AS SMALL CHECK DAMS IN DITCHES AND SWALES, HOWEVER, THEY SHOULD NOT BE USED IN PERENNIAL STREAMS OR HIGH VELOCITY DRAINAGE WAYS.
5. IT IS RECOMMENDED THAT SEDIMENT CONTROL LOGS BE TRENCHED INTO THE GROUND TO A DEPTH OF APPROXIMATELY 1/3 THE DIAMETER OF THE LOG. IF TRENCHING TO THIS DEPTH IS NOT FEASIBLE AND/OR DESIRABLE (SHORT TERM INSTALLATION WITH DESIRE NOT TO DAMAGE LANDSCAPE) A LESSER TRENCHING DEPTH MAY BE ACCEPTABLE WITH MORE ROBUST STAKING.
6. THE UPHILL SIDE OF THE SEDIMENT CONTROL LOG SHALL BE BACKFILLED WITH SOIL THAT IS FREE OF ROCKS AND DEBRIS. THE SOIL SHALL BE TIGHTLY COMPACTED INTO THE SHAPE OF A RIGHT TRIANGLE USING A SHOVEL OR WEIGHTED LAWN ROLLER.
7. FOLLOW MANUFACTURERS' GUIDANCE FOR STAKING. IF MANUFACTURERS' INSTRUCTIONS DO NOT SPECIFY SPACING, STAKES SHALL BE PLACED ON 4' CENTERS AND EMBEDDED A MINIMUM OF 6" INTO THE GROUND. 3" OF THE STAKE SHALL PROTRUDE FROM THE TOP OF THE LOG. STAKES THAT ARE BROKEN PRIOR TO INSTALLATION SHALL BE REPLACED.

MAINTENANCE NOTES:

- 1. INSPECT BMPs EACH WORKDAY, AND MAINTAIN THEM IN EFFECTIVE OPERATING CONDITION. MAINTENANCE OF BMPs SHOULD BE PROACTIVE, NOT REACTIVE. INSPECT BMPs AS SOON AS POSSIBLE (AND ALWAYS WITHIN 24 HOURS) FOLLOWING A STORM THAT CAUSES SURFACE EROSION, AND PERFORM NECESSARY MAINTENANCE.
2. FREQUENT OBSERVATIONS AND MAINTENANCE ARE NECESSARY TO MAINTAIN BMPs IN EFFECTIVE OPERATING CONDITION. INSPECTIONS AND CORRECTIVE MEASURES SHOULD BE DOCUMENTED THOROUGHLY.
3. WHERE BMPs HAVE FAILED, REPAIR OR REPLACEMENT SHOULD BE INITIATED UPON DISCOVERY OF THE FAILURE.
4. SEDIMENT ACCUMULATED UPSTREAM OF SEDIMENT CONTROL LOG SHALL BE REMOVED AS NEEDED TO MAINTAIN FUNCTIONALITY OF THE BMP. TYPICALLY WHEN DEPTH OF ACCUMULATED SEDIMENTS IS APPROXIMATELY 1/2 OF THE HEIGHT OF THE SEDIMENT CONTROL LOG.
5. SEDIMENT CONTROL LOG SHALL BE REMOVED AT THE END OF CONSTRUCTION. IF DISTURBED AREAS EXIST AFTER REMOVAL, THEY SHALL BE COVERED WITH TOP SOIL, SEEDED AND MULCHED OR OTHERWISE STABILIZED IN A MANNER APPROVED BY THE LOCAL JURISDICTION.
6. THE UPHILL SIDE OF THE SEDIMENT CONTROL LOG SHALL BE BACKFILLED WITH SOIL THAT IS FREE OF ROCKS AND DEBRIS. THE SOIL SHALL BE TIGHTLY COMPACTED INTO THE SHAPE OF A RIGHT TRIANGLE USING A SHOVEL OR WEIGHTED LAWN ROLLER.
7. FOLLOW MANUFACTURERS' INSTRUCTIONS FOR STAKING. IF MANUFACTURERS' INSTRUCTIONS DO NOT SPECIFY SPACING, STAKES SHALL BE PLACED ON 4' CENTERS AND EMBEDDED A MINIMUM OF 6" INTO THE GROUND. 3" OF THE STAKE SHALL PROTRUDE FROM THE TOP OF THE LOG. STAKES THAT ARE BROKEN PRIOR TO INSTALLATION SHALL BE REPLACED.

Figure SC-2 Sediment Control Log Urban Drainage and Flood Control District Urban Storm Drainage Criteria Manual Volume 3



SILT FENCE INSTALLATION NOTES:

- 1. SILT FENCE MUST BE PLACED AWAY FROM THE TOE OF THE SLOPE TO ALLOW FOR WATER PONDING. SILT FENCE AT TOP OF A SLOPE SHOULD BE INSTALLED IN A FLAT LOCATION AT LEAST SEVERAL FEET (2-5 FT) FROM THE TOE OF THE SLOPE TO ALLOW ROOM FOR PONDING AND DEPOSITION.
2. A UNIFORM 6" x 4" ANCHOR TRENCH SHALL BE EXCAVATED USING TRENCHER OR SILT FENCE INSTALLATION DEVICE. NO ROAD GRADERS, BACKHOES, OR SIMILAR EQUIPMENT SHALL BE USED.
3. COMPACT ANCHOR TRENCH BY HAND OR WITH A "JUMPING JACK" OR BY WHEEL ROLLING. COMPACTION SHALL BE SUCH THAT SILT FENCE RESISTS BEING PULLED OUT OF ANCHOR TRENCH BY HAND.
4. SILT FENCE SHALL BE PULLED TIGHT AS IT IS ANCHORED TO THE STAKES. THERE SHOULD BE NO NOTICEABLE SAG BETWEEN STAKES AFTER IT HAS BEEN ANCHORED TO THE STAKES.
5. SILT FENCE FABRIC SHALL BE ANCHORED TO THE STAKES USING 1" HEAVY DUTY STAPLES OR NAILS WITH 1" HEADS. STAPLES AND NAILS SHOULD BE PLACED 3" ALONG THE FABRIC DOWN THE STAKE.
6. AT THE END OF A RUN OF SILT FENCE ALONG A CONTOUR, THE SILT FENCE SHOULD BE TURNED PERPENDICULAR TO THE CONTOUR TO CREATE A "J-HOOK". THE "J-HOOK" EXTENDING PERPENDICULAR TO THE CONTOUR SHOULD BE OF SUFFICIENT LENGTH TO KEEP RUNOFF FROM FLOWING AROUND THE END OF THE SILT FENCE (TYPICALLY 10' - 20').
7. SILT FENCE SHALL BE INSTALLED PRIOR TO ANY LAND DISTURBING ACTIVITIES.

SILT FENCE MAINTENANCE NOTES:

- 1. INSPECT BMPs EACH WORKDAY, AND MAINTAIN THEM IN EFFECTIVE OPERATING CONDITION. MAINTENANCE OF BMPs SHOULD BE PROACTIVE, NOT REACTIVE. INSPECT BMPs AS SOON AS POSSIBLE (AND ALWAYS WITHIN 24 HOURS) FOLLOWING A STORM THAT CAUSES SURFACE EROSION, AND PERFORM NECESSARY MAINTENANCE.
2. FREQUENT OBSERVATIONS AND MAINTENANCE ARE NECESSARY TO MAINTAIN BMPs IN EFFECTIVE OPERATING CONDITION. INSPECTIONS AND CORRECTIVE MEASURES SHOULD BE DOCUMENTED THOROUGHLY.
3. WHERE BMPs HAVE FAILED, REPAIR OR REPLACEMENT SHOULD BE INITIATED UPON DISCOVERY OF THE FAILURE.
4. SEDIMENT ACCUMULATED UPSTREAM OF THE SILT FENCE SHALL BE REMOVED AS NEEDED TO MAINTAIN FUNCTIONALITY OF THE BMP. TYPICALLY WHEN DEPTH OF ACCUMULATED SEDIMENTS IS APPROXIMATELY 6".
5. REPAIR OR REPLACE SILT FENCE WHEN THERE ARE SIGN OF WEAR, SUCH AS SAGGING, TEARING, OR COLLAPSE.
6. SILT FENCE IS TO REMAIN IN PLACE UNTIL THE UPSTREAM DISTURBED AREA IS STABILIZED AND APPROVED BY THE LOCAL JURISDICTION, OR IS REPLACED BY AN EQUIVALENT PERIMETER SEDIMENT CONTROL BMP.
7. WHEN SILT FENCE IS REMOVED, ALL DISTURBED AREAS SHALL BE COVERED WITH TOP SOIL, SEEDED AND MULCHED OR OTHERWISE STABILIZED AS APPROVED BY LOCAL JURISDICTION.

Figure SC-1 Silt Fence Urban Drainage and Flood Control District Urban Storm Drainage Criteria Manual Volume 3

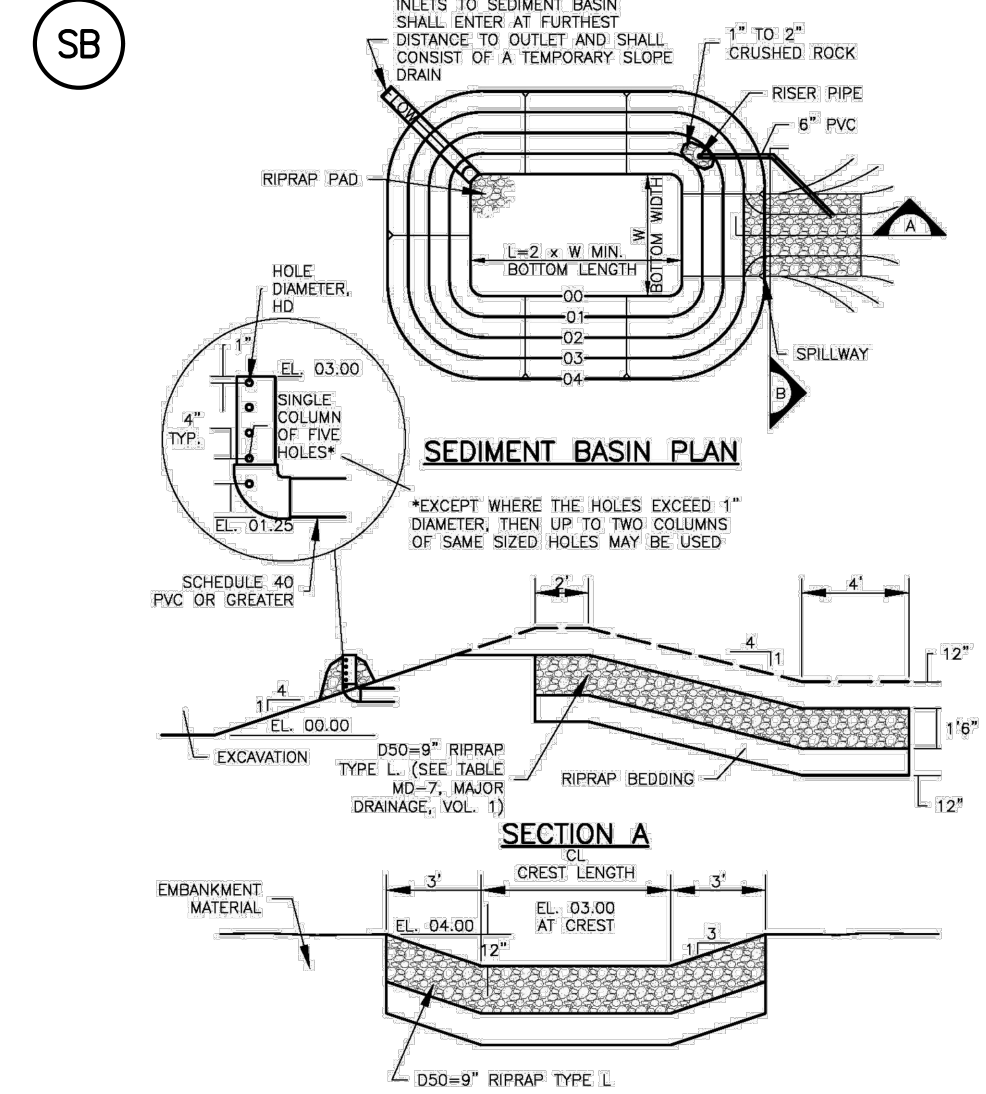


Table SB-1: SIZING INFORMATION FOR STANDARD SEDIMENT BASIN. Columns include Upstream Drainage Area (rounded to nearest acre-ft), Basin Bottom Width (ft), Spillway Crest Length (ft), and Hole Diameter (in).

SEDIMENT BASIN

SEDIMENT BASIN INSTALLATION NOTES:

- 1. SEE PLAN VIEW FOR:
- LOCATION OF SEDIMENT BASIN.
- TYPE OF BASIN (STANDARD BASIN OR NONSTANDARD BASIN).
- FOR STANDARD BASIN, BOTTOM WIDTH W, CREST LENGTH CL, AND HOLE DIAMETER, HD.
- FOR NONSTANDARD BASIN, SEE CONSTRUCTION DRAWINGS FOR DESIGN OF BASIN INCLUDING RISER HEIGHT H, NUMBER OF COLUMNS N, HOLE DIAMETER HD AND PIPE DIAMETER D.
2. FOR STANDARD BASIN, BOTTOM DIMENSION MAY BE MODIFIED AS LONG AS BOTTOM AREA IS NOT REDUCED.
3. SEDIMENT BASINS INSTALLED PRIOR TO ANY OTHER LAND-DISTURBING ACTIVITY THAT RELIES ON BASINS AS A STORMWATER CONTROL.
4. EMBANKMENT MATERIAL SHALL CONSIST OF SOIL FREE OF DEBRIS, ORGANIC MATERIAL AND ROCKS OR CONCRETE. GREATER THAN 3 INCHES AND SHALL HAVE A MINIMUM OF 15 PERCENT BY WEIGHT PASSING THE NO. 200 SIEVE.
5. EMBANKMENT MATERIAL SHALL BE COMPACTED TO AT LEAST 95 PERCENT OF MAXIMUM DENSITY IN ACCORDANCE WITH ASTM D698.
6. PIPE SCH 40 OR GREATER SHALL BE USED.
7. THE DETAILS SHOWN ON THESE SHEETS PERTAIN TO STANDARD SEDIMENT BASINS FOR DRAINAGE AREAS LESS THAN 15 ACRES. SEE CONSTRUCTION DRAWINGS FOR EMBANKMENT, STORAGE VOLUME, SPILLWAY, OUTLET, AND OUTLET PROTECTION DETAILS FOR ANY SEDIMENT BASINS THAT HAVE BEEN INDIVIDUALLY DESIGNED FOR DRAINAGE AREAS.

Figure SC-7 Sediment Basin Urban Drainage and Flood Control District Urban Storm Drainage Criteria Manual Volume 3

Table 14-10. Recommended Seed Mix for Transition Areas¹

Table with 7 columns: Common Name (Variety), Scientific Name, Growth Season, Growth Form, Seeds/Lb, Lbs PLS/Acre Drilled, Lbs PLS/Acre Broadcast or Hydroseeded. Rows include Sheep fescue, Western wheatgrass, Alkali sacaton, Slender wheatgrass, Canadian bluegrass, Switchgrass, Annual rye, Wildflowers, Blanket flower, Prairie coneflower, Purple prairie clover, Gayfeather, Flax, Penstemon, Yarrow.

SEED MIX NOTES:

A MIXTURE DEVELOPED FOR ELEVATIONS 3,000 TO 8,000 FEET TO PROVIDE NATURAL COVER UNDER DRYLAND CONDITIONS. CONTAINS BOTH COOL AND WARM SEASON GRASSES ADAPTED TO THE WESTERN GREAT PLAINS AND SOUTHWESTERN REGION. HAS EXCELLENT COLD AND DROUGHT TOLERANCE. GOOD FOR SOIL STABILIZATION ON POOR SOILS.

CHARACTERISTICS:

GROWS 30-60 INCHES WITH AVERAGE RAINFALL.

SEEDING RATE:

BROADCAST: 20-25 LBS/ACRE
DRILLED: 15-20 LBS/ACRE
OVERSEEDING
BROADCAST: 10-15 LBS/ACRE
DRILLED: 5-10 LBS/ACRE

MIX CONTAINS:

Table with 4 columns: KIND AND VARIETY, PURE, GERM, ORIGIN. Rows include ANNUAL RYEGRASS, SLENDER WHEATGRASS, CRESTED WHEATGRASS, MOUNTAIN BROME, CANADA BLUEGRASS, HARD FESCUE, SIDE-OATS GRAMA, SWITCHGRASS, BIG BLUESTEM, BLUE GRAMA, SAND DROPSSEED.

¹For side slopes or between wet and dry areas.
²Substitute 1.7 lbs PLS/acre of inland saltgrass (Distichlis spicata) in salty soils.

REFERENCE DRAWINGS

Table with 4 columns: No., DATE, DESCRIPTION, REVISIONS. Includes X-T18-GEC.

COMPUTER FILE MANAGEMENT

FILE NAME: S:\20.886.028 (Trails F3)\100 Dwg\104 Plan Sets\Construction Plans\GEC Plan\ECN01.dwg
CTB FILE: ---
PLOT DATE: April 26, 2022 3:27:52 PM
THIS DRAWING IS CURRENT AS OF PLOT DATE AND MAY BE SUBJECT TO CHANGE.



BENCHMARK
COLORADO SPRINGS UTILITIES (FIMS) MONUMENT F206
A BERNTSEN TOP SECURITY MONUMENT SYSTEM WITH A 3.5-INCH DIAMETER ALUMINUM CAP IN A ROAD BOX, LOCATED ON THE NORTHWEST CORNER OF FONTAINE BOULEVARD AND POWERS BOULEVARD.
ELEVATION - 5897.89' U.S. SURVEY FT

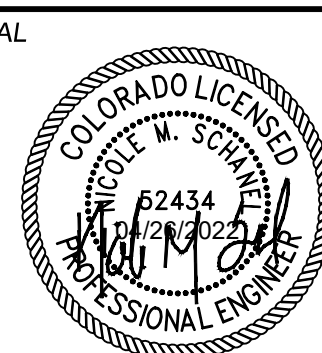
BASIS OF BEARING

BEARINGS ARE BASED ON THE NORTH LINE OF THE NORTHWEST QUARTER OF SECTION 9, TOWNSHIP 15 SOUTH, RANGE 65 WEST OF THE 6TH P.M. SAID LINE BEARS S89°51'23"E FROM THE NORTHWEST CORNER OF SAID SECTION 9 (2 1/2" AULM. CAP PLS 17864) TO THE N 1/2 CORNER OF SAID SECTION 9 (3 1/2" AULM. CAP PLS 10377)

PREPARED BY:



SEAL



FOR AND ON BEHALF OF
MATRIX DESIGN GROUP, INC.
PROJECT No. 20.886.028

TRAILS AT ASPEN RIDGE

FILING NO. 3
FINAL GRADING AND EROSION CONTROL PLANS

EROSION CONTROL NOTES

Table with 4 columns: DESIGNED BY, DRAWN BY, CHECKED BY, SCALE, DATE ISSUED, DRAWING No. Includes NMS, TRS, N/A, AUGUST 2021, ECN01.



Know what's below.
Call before you dig.

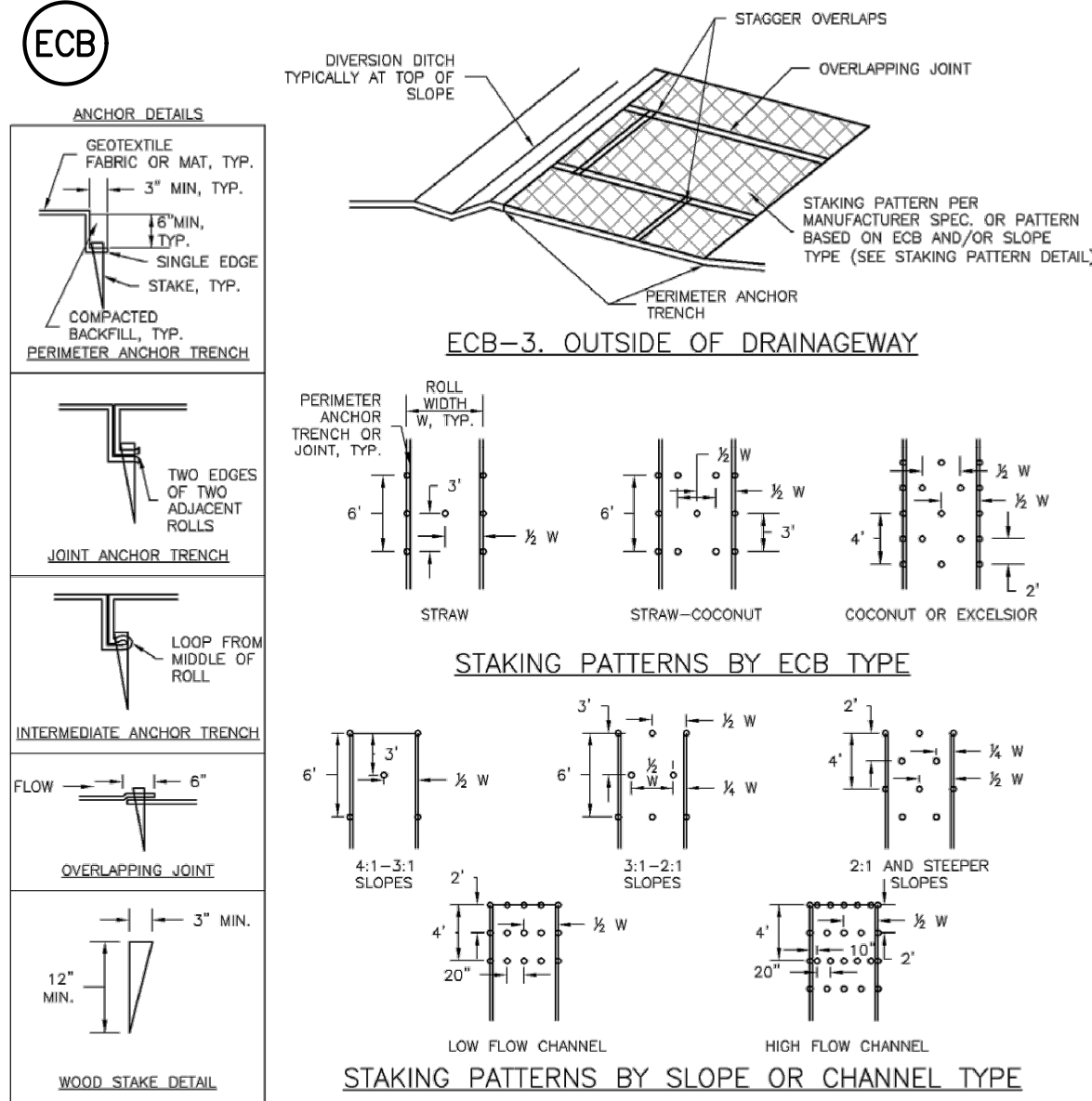


TABLE ECB-1. ECB MATERIAL SPECIFICATIONS

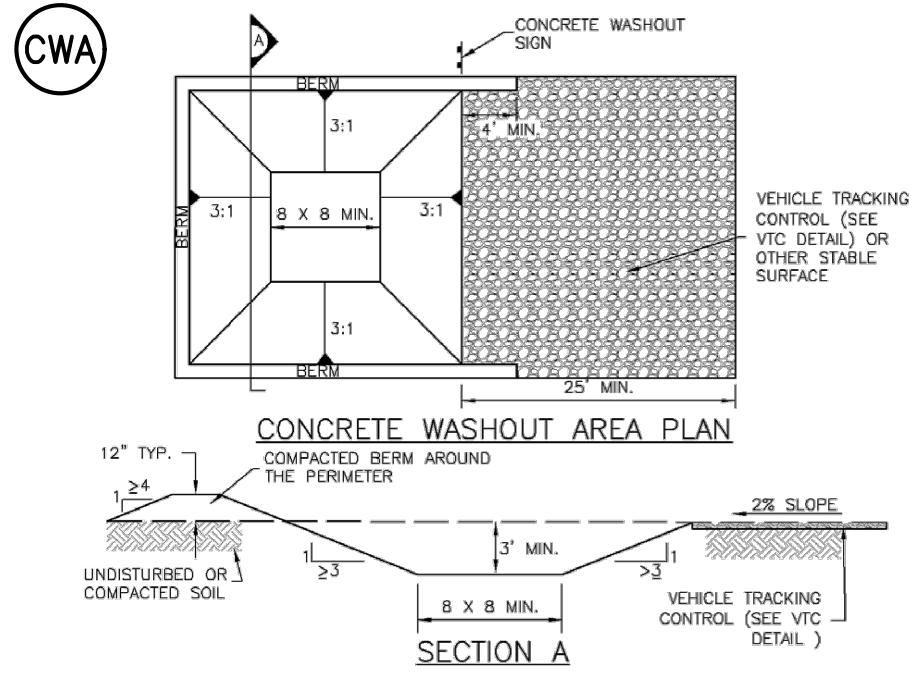
TYPE	COCONUT CONTENT	STRAW CONTENT	EXCELSIOR CONTENT	RECOMMENDED NETTING**
STRAW*	-	100%	-	DOUBLE/NATURAL
STRAW-COCONUT	30% MIN	70% MAX	-	DOUBLE/NATURAL
COCONUT	100%	-	-	DOUBLE/NATURAL
EXCELSIOR	-	-	100%	DOUBLE/NATURAL

* STRAW ECBs MAY ONLY BE USED OUTSIDE OF STREAMS AND DRAINAGE CHANNELS.
** ALTERNATE NETTING MAY BE ACCEPTABLE IN SOME JURISDICTIONS.

EROSION CONTROL BLANKET

- INSTALLATION NOTES:**
- SEE PLAN VIEW FOR:
 - LOCATION OF ECB.
 - TYPE OF ECB (STRAW, STRAW-COCONUT, COCONUT, EXCELSIOR).
 - AREA, A, IN SQUARE YARDS OF EACH TYPE OF ECB.
 - 100% NATURAL AND BIODEGRADABLE MATERIALS ARE PREFERRED FOR RECS, ALTHOUGH SOME JURISDICTIONS MAY ALLOW OTHER MATERIALS IN SOME APPLICATIONS.
 - IN AREAS WHERE ECBs ARE SHOWN ON THE PLANS, THE PERMITTEE SHALL PLACE TOPSOIL AND PERFORM FINAL GRADING, SURFACE PREPARATION, AND SEEDING AND MULCHING. SUBGRADE SHALL BE SMOOTH AND MOIST PRIOR TO ECB INSTALLATION AND THE ECB SHALL BE IN FULL CONTACT WITH SUBGRADE. NO GAPS OR VOIDS SHALL EXIST UNDER THE BLANKET.
 - PERIMETER ANCHOR TRENCH SHALL BE USED ALONG THE OUTSIDE PERIMETER OF ALL BLANKET AREAS.
 - JOINT ANCHOR TRENCH SHALL BE USED TO JOIN ROLLS OF ECBs TOGETHER (LONGITUDINALLY AND TRANSVERSELY) FOR ALL ECBs EXCEPT STRAW WHICH MAY USE AN OVERLAPPING JOINT.
 - INTERMEDIATE ANCHOR TRENCH SHALL BE USED AT SPACING OF ONE-HALF ROLL LENGTH FOR COCONUT AND EXCELSIOR ECBs.
 - OVERLAPPING JOINT DETAIL SHALL BE USED TO JOIN ROLLS OF ECBs TOGETHER FOR ECBs ON SLOPES.
 - MATERIAL SPECIFICATIONS OF ECBs SHALL CONFORM TO TABLE ECB-1.
 - ANY AREAS OF SEEDING AND MULCHING DISTURBED IN THE PROCESS OF INSTALLING ECBs SHALL BE RESEEDING AND MULCHED.
 - DETAILS ON DESIGN PLAND FOR MAJOR DRAINAGEWAY STABILIZATION WILL GOVERN IF DIFFERENT FROM THOSE SHOWN HERE.
- MAINTENANCE NOTES:**
- INSPECT BMPs EACH WORKDAY, AND MAINTAIN THEM IN EFFECTIVE OPERATING CONDITION. MAINTENANCE OF BMPs SHOULD BE PROACTIVE, NOT REACTIVE. INSPECT BMPs AS SOON AS POSSIBLE (AND ALWAYS WITHIN 24 HOURS) FOLLOWING A STORM THAT CAUSES SURFACE EROSION, AND PERFORM NECESSARY MAINTENANCE.
 - FREQUENT OBSERVATIONS AND MAINTENANCE ARE NECESSARY TO MAINTAIN BMPs IN EFFECTIVE OPERATING CONDITION. INSPECTIONS AND CORRECTIVE MEASURES SHOULD BE DOCUMENTED THOROUGHLY.
 - WHERE BMPs HAVE FAILED, REPAIR OR REPLACEMENT SHOULD BE INITIATED UPON DISCOVERY OF THE FAILURE.
 - ECBs SHALL BE LEFT IN PLACE TO EVENTUALLY BIODEGRADE, UNLESS REQUESTED TO BE REMOVED BY THE LOCAL JURISDICTION.
 - ANY ECB PULLED OUT, TORN, OR OTHERWISE DAMAGED SHALL BE REPAIRED OR REINSTALLED, ANY SUBGRADE AREAS BELOW THE GEOTEXTILE THAT HAVE ERODED TO CREATED A VOID UNDER THE BLANKET, OR THAT REMAIN DEVOID OF GRASS SHALL BE REPAIRED, RESEEDING AND MULCHED AND THE ECB REINSTALLED.

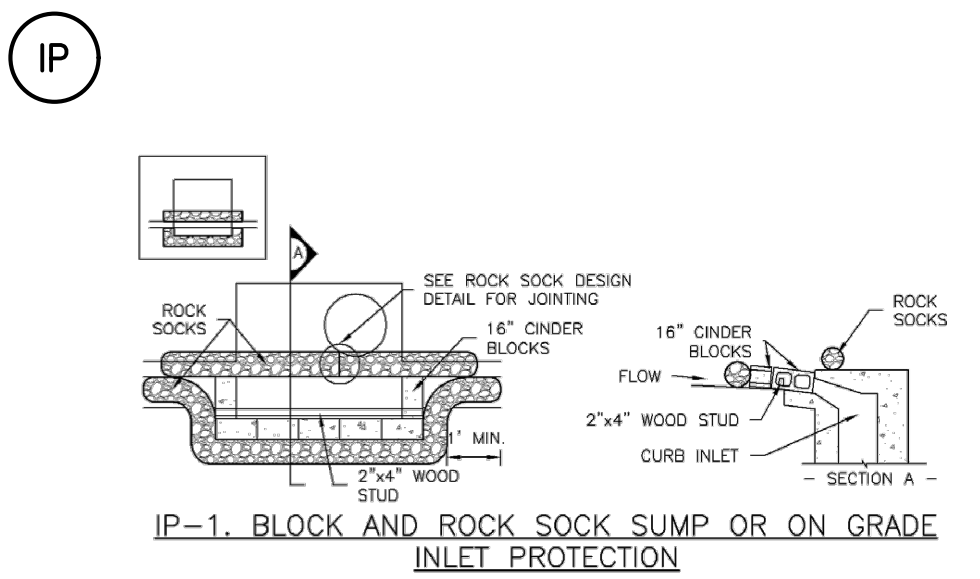
Figure EC-6
Rolled Erosion Control Product
Urban Drainage and Flood Control District
Urban Storm Drainage Criteria Manual Volume 3



CONCRETE WASHOUT AREA

- CWA INSTALLATION NOTES:**
- SEE PLAN VIEW FOR:
 - CWA INSTALLATION LOCATION
 - DO NOT LOCATE AN UNLINED CWA WITHIN 400' OF ANY NATURAL DRAINAGE PATHWAY OR WATER BODY. DO NOT LOCATE WITHIN 1000' OF ANY WELLS OR DRINKING WATER SOURCES. IF SITE CONSTRAINTS MAKE THIS INFEASIBLE, OR IF HIGHLY PERMEABLE SOILS EXIST ON SITE, THE CWA MUST BE INSTALLED WITH AN IMPERMEABLE LINER (16 MIL MIN. THICKNESS) OR SURFACE STORAGE ALTERNATIVES USING PREFABRICATED CONCRETE WASHOUT DEVICES OR A LINED ABOVE GROUND STORAGE AREA SHOULD BE USED.
 - THE CWA SHALL BE INSTALLED PRIOR TO CONCRETE PLACEMENT ON SITE.
 - THE CWA SHALL INCLUDE A FLAT SUBSURFACE PIT THAT IS AT LEAST 8" BY 8" SLOPES LEADING OUT OF THE SUBSURFACE PIT SHALL BE 3:1 OR FLATTER. THE PIT SHALL BE AT LEAST 3' DEEP.
 - BERM SURROUNDING SIDES AND BACK OF THE CWA SHALL HAVE A MINIMUM HEIGHT OF 1'.
 - VEHICLE TRACKING PAD SHALL BE SLOPED 2% TOWARDS THE CWA.
 - SIGNS SHALL BE PLACED AT THE CONSTRUCTION ENTRANCE, AT THE CWA, AND ELSEWHERE AS NECESSARY TO CLEARLY INDICATE THE LOCATION OF THE CWA TO OPERATORS OF CONCRETE TRUCKS AND PUMP RIGS.
 - USE EXCAVATED MATERIAL FOR PERIMETER BERM CONSTRUCTION.

Figure CWA-3
Concrete Washout Area
Urban Drainage and Flood Control District
Urban Storm Drainage Criteria Manual Volume 3



TEMPORARY INLET PROTECTION IP-1

- INSTALLATION NOTES:**
- SEE ROCK SOCK DESIGN DETAIL FOR INSTALLATION REQUIREMENTS.
 - CONCRETE "CINDER" BLOCKS SHALL BE LAID ON THEIR SIDES AROUND THE INLET IN A SINGLE ROW, ABUTTING ONE ANOTHER WITH THE OPEN END FACING AWAY FROM THE CURB.
 - GRAVEL BAGS SHALL BE PLACED AROUND CONCRETE BLOCKS, CLOSELY ABUTTING ONE ANOTHER AND JOINED TOGETHER IN ACCORDANCE WITH ROCK SOCK DESIGN DETAIL.

Figure IP-1
Temporary Inlet Protection
Urban Drainage and Flood Control District

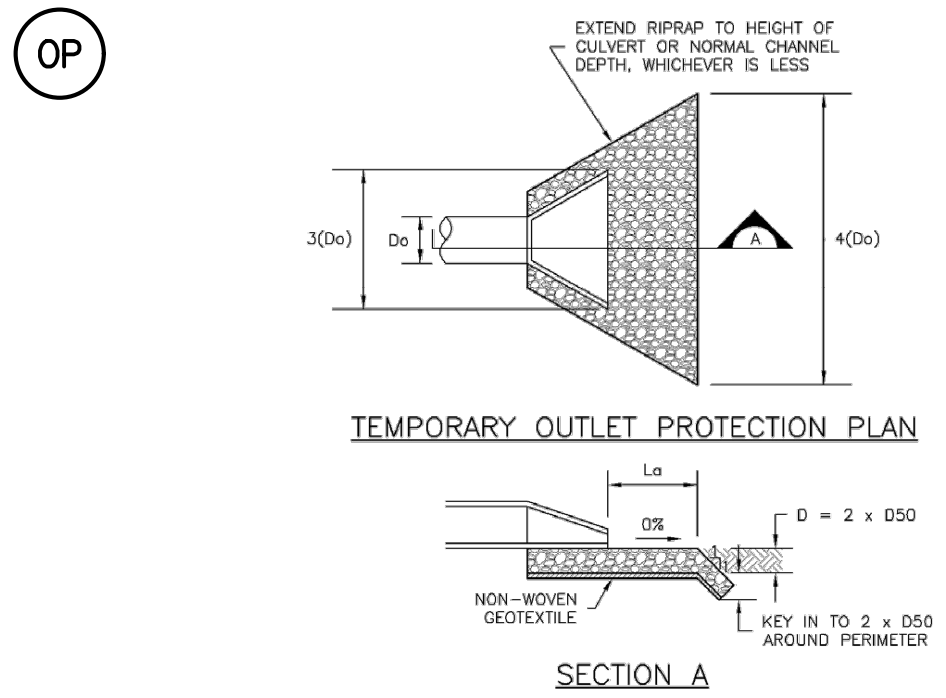


TABLE OP-1. TEMPORARY OUTLET PROTECTION SIZING TABLE

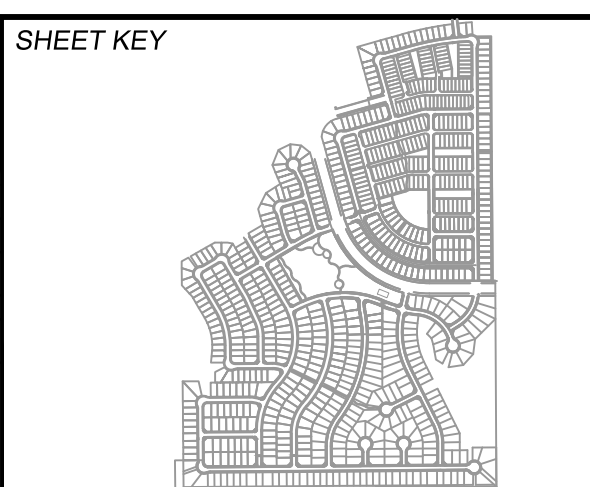
PIPE DIAMETER, Dp (INCHES)	DISCHARGE, Q (CFS)	APPROX LENGTH, Lp (FT)	RIPRAP D50 DIAMETER MIN (INCHES)
8	2.5	5	4
	5	10	6
12	5	10	4
	10	13	6
	20	16	6
18	30	23	12
	40	26	15
	30	16	9
	40	26	9
24	50	28	12
	60	30	16

TEMPORARY OUTLET PROTECTION

- INSTALLATION NOTES:**
- SEE PLAN VIEW FOR:
 - LOCATION OF OUTLET PROTECTION.
 - DIMENSIONS OF OUTLET PROTECTION.
 - DETAIL IS INTENDED FOR PIPES WITH SLOPE ≤ 10%. ADDITIONAL EVALUATION OF RIPRAP SIZING AND OUTLET PROTECTION DIMENSIONS REQUIRED FOR STEEPER SLOPES.
 - TEMPORARY OUTLET PROTECTION INFORMATION IS FOR OUTLETS INTENDED TO BE UTILIZED LESS THAN 2 YEARS.
- MAINTENANCE NOTES:**
- INSPECT BMPs EACH WORKDAY, AND MAINTAIN THEM IN EFFECTIVE OPERATING CONDITION. MAINTENANCE OF BMPs SHOULD BE PROACTIVE, NOT REACTIVE. INSPECT BMPs AS SOON AS POSSIBLE (AND ALWAYS WITHIN 24 HOURS) FOLLOWING A STORM THAT CAUSES SURFACE EROSION, AND PERFORM NECESSARY MAINTENANCE.
 - FREQUENT OBSERVATIONS AND MAINTENANCE ARE NECESSARY TO MAINTAIN BMPs IN EFFECTIVE OPERATING CONDITION. INSPECTIONS AND CORRECTIVE MEASURES SHOULD BE DOCUMENTED THOROUGHLY.
 - WHERE BMPs HAVE FAILED, REPAIR OR REPLACEMENT SHOULD BE INITIATED UPON DISCOVERY OF THE FAILURE.

Figure EC-8
Temporary Outlet Protection
Urban Drainage and Flood Control District
Urban Storm Drainage Criteria Manual Volume 3

REFERENCE DRAWINGS	###	###	###	###
X-T&G-GEC	###	###	###	###
	###	###	###	###
	###	###	###	###
	###	###	###	###
No.	DATE	DESCRIPTION		BY
REVISIONS				
COMPUTER FILE MANAGEMENT				
FILE NAME: S:\20.886.028 (Trails F3)\100 Dwg\104 Plan Sets\Construction Plans\GEC Plan\ECN01.dwg				
CTB FILE: ---				
PLOT DATE: April 26, 2022 3:27:58 PM				
THIS DRAWING IS CURRENT AS OF PLOT DATE AND MAY BE SUBJECT TO CHANGE.				



BENCHMARK
COLORADO SPRINGS UTILITIES (FIMS) MONUMENT F206
A BERNTSEN TOP SECURITY MONUMENT SYSTEM WITH A 3.5-INCH DIAMETER ALUMINUM CAP IN A ROAD BOX, LOCATED ON THE NORTHWEST CORNER OF FONTAINE BOULEVARD AND POWERS BOULEVARD.
ELEVATION - 5897.89' U.S. SURVEY FT

BASIS OF BEARING
BEARINGS ARE BASED ON THE NORTH LINE OF THE NORTHWEST QUARTER OF SECTION 9, TOWNSHIP 15 SOUTH, RANGE 65 WEST OF THE 6TH P.M. SAID LINE BEARS S89°51'23"E FROM THE NORTHWEST CORNER OF SAID SECTION 9 (2 1/2' AULM. CAP PLS 17664) TO THE N 1/4 CORNER OF SAID SECTION 9 (3 1/2' AULM. CAP PLS 10377)

PREPARED BY:

SEAL

TRAILS AT ASPEN RIDGE

FILING NO. 3
FINAL GRADING AND EROSION CONTROL PLANS

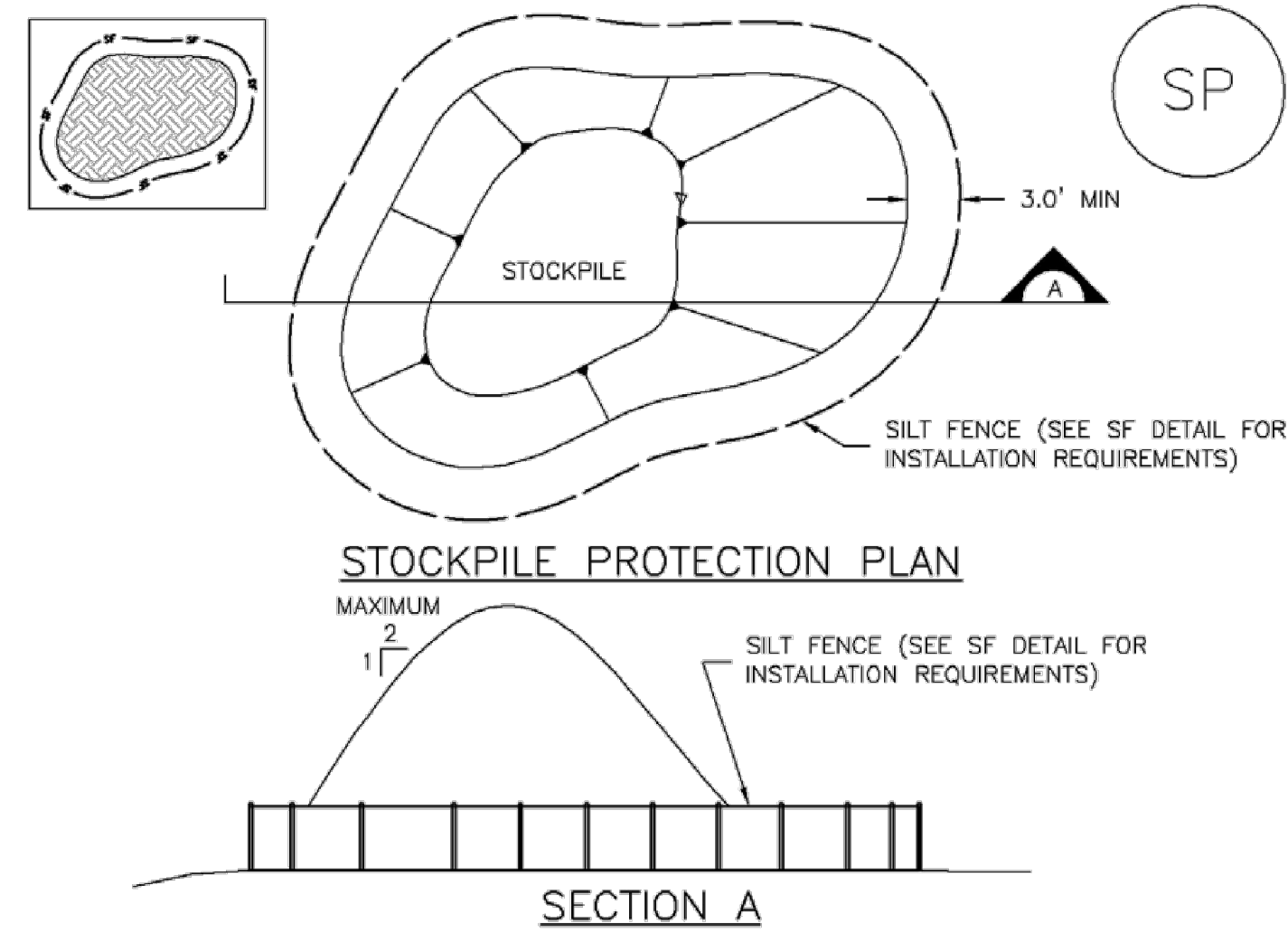
EROSION CONTROL NOTES

DESIGNED BY: NMS	SCALE:	DATE ISSUED: AUGUST 2021	DRAWING No. ECN02
DRAWN BY: TRS	HORIZ N/A	SHEET 8 OF 9	
CHECKED BY: NMS	VERT. N/A		



Know what's below. Call before you dig.

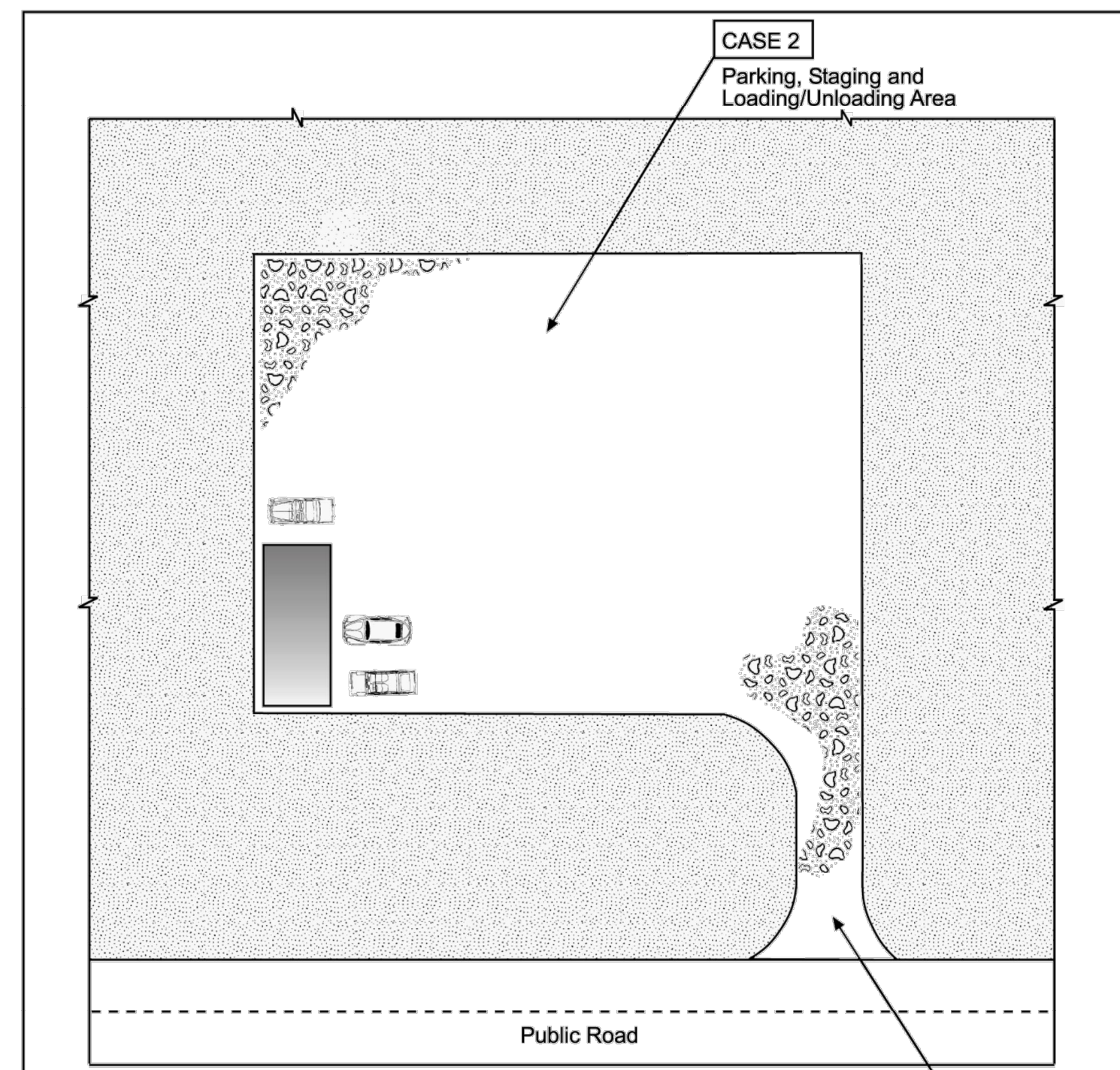
Stockpile Management (SP) MM-2



SP-1. STOCKPILE PROTECTION

STOCKPILE PROTECTION INSTALLATION NOTES

- SEE PLAN VIEW FOR:
 - LOCATION OF STOCKPILES.
 - TYPE OF STOCKPILE PROTECTION.
- INSTALL PERIMETER CONTROLS IN ACCORDANCE WITH THEIR RESPECTIVE DESIGN DETAILS. SILT FENCE IS SHOWN IN THE STOCKPILE PROTECTION DETAILS; HOWEVER, OTHER TYPES OF PERIMETER CONTROLS INCLUDING SEDIMENT CONTROL LOGS OR ROCK SOCKS MAY BE SUITABLE IN SOME CIRCUMSTANCES. CONSIDERATIONS FOR DETERMINING THE APPROPRIATE TYPE OF PERIMETER CONTROL FOR A STOCKPILE INCLUDE WHETHER THE STOCKPILE IS LOCATED ON A PERVIOUS OR IMPERVIOUS SURFACE, THE RELATIVE HEIGHTS OF THE PERIMETER CONTROL AND STOCKPILE, THE ABILITY OF THE PERIMETER CONTROL TO CONTAIN THE STOCKPILE WITHOUT FAILING IN THE EVENT THAT MATERIAL FROM THE STOCKPILE SHIFTS OR SLUMPS AGAINST THE PERIMETER, AND OTHER FACTORS.
- STABILIZE THE STOCKPILE SURFACE WITH SURFACE ROUGHENING, TEMPORARY SEEDING AND MULCHING, EROSION CONTROL BLANKETS, OR SOIL BINDERS. SOILS STOCKPILED FOR AN EXTENDED PERIOD (TYPICALLY FOR MORE THAN 60 DAYS) SHOULD BE SEEDED AND MULCHED WITH A TEMPORARY GRASS COVER ONCE THE STOCKPILE IS PLACED (TYPICALLY WITHIN 14 DAYS). USE OF MULCH ONLY OR A SOIL BINDER IS ACCEPTABLE IF THE STOCKPILE WILL BE IN PLACE FOR A MORE LIMITED TIME PERIOD (TYPICALLY 30-60 DAYS).
- FOR TEMPORARY STOCKPILES ON THE INTERIOR PORTION OF A CONSTRUCTION SITE, WHERE OTHER DOWNGRADIENT CONTROLS, INCLUDING PERIMETER CONTROL, ARE IN PLACE, STOCKPILE PERIMETER CONTROLS MAY NOT BE REQUIRED.

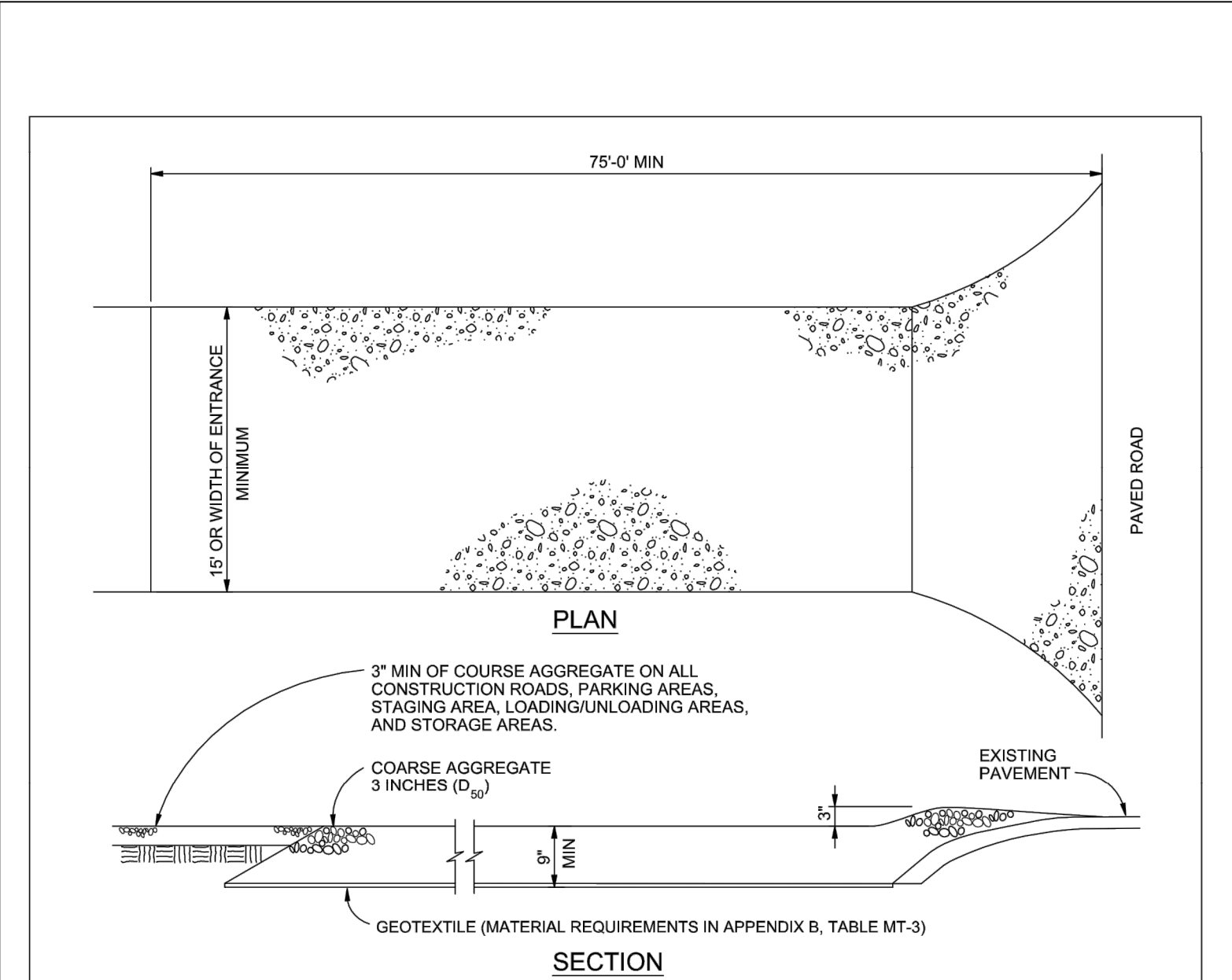


	Case 1	Case 2
Gravel Thickness	9"	3"
Filter Fabric	YES	NO

City of Colorado Springs Storm Water Quality

Figure VT-1 Vehicle Tracking Application Examples

DENM153722.CS.CB/Fig/VT-1/0-99 3-53



VEHICLE TRACKING NOTES

INSTALLATION REQUIREMENTS

- ALL ENTRANCES TO THE CONSTRUCTION SITE ARE TO BE STABILIZED PRIOR TO CONSTRUCTION BEGINNING.
- CONSTRUCTION ENTRANCES ARE TO BE BUILT WITH AN APRON TO ALLOW FOR TURNING TRAFFIC, BUT SHOULD NOT BE BUILT OVER EXISTING PAVEMENT EXCEPT FOR A SLIGHT OVERLAP.
- AREAS TO BE STABILIZED ARE TO BE PROPERLY GRADED AND COMPACTED PRIOR TO LAYING DOWN GEOTEXTILE AND STONE.
- CONSTRUCTION ROADS, PARKING AREAS, LOADING/UNLOADING ZONES, STORAGE AREAS, AND STAGING AREAS ARE TO BE STABILIZED.
- CONSTRUCTION ROADS ARE TO BE BUILT TO CONFORM TO SITE GRADES, BUT SHOULD NOT HAVE SIDE SLOPES OR ROAD GRADES THAT ARE EXCESSIVELY STEEP.

MAINTENANCE REQUIREMENTS

- REGULAR INSPECTIONS ARE TO BE MADE OF ALL STABILIZED AREAS, ESPECIALLY AFTER STORM EVENTS.
- STONES ARE TO BE REAPPLIED PERIODICALLY AND WHEN REPAIR IS NECESSARY.
- SEDIMENT TRACKED ONTO PAVED ROADS IS TO BE REMOVED DAILY BY SHOVELING OR SWEEPING. SEDIMENT IS NOT TO BE WASHED DOWN STORM SEWER DRAINS.
- STORM SEWER INLET PROTECTION IS TO BE IN PLACE, INSPECTED, AND CLEANED IF NECESSARY.
- OTHER ASSOCIATED SEDIMENT CONTROL MEASURES ARE TO BE INSPECTED TO ENSURE GOOD WORKING CONDITION.

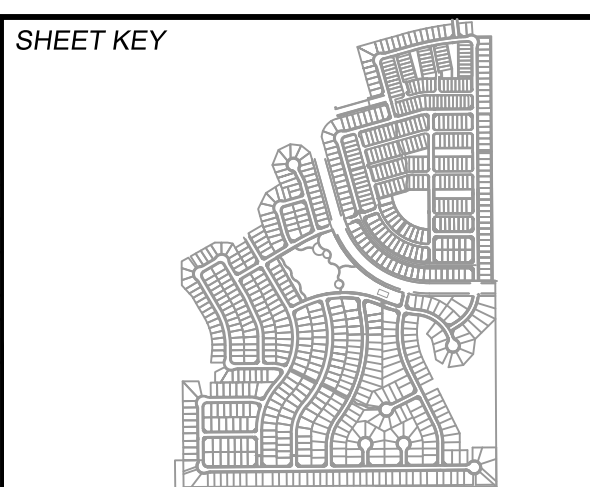
City of Colorado Springs Stormwater Quality

Figure VT-2 Vehicle Tracking Application Examples

3-54

PCD FILING NO.: SF-21-022

REFERENCE DRAWINGS	###	###	###	###	SHEET KEY
X-T86-GEC	###	###	###	###	
	###	###	###	###	
	###	###	###	###	
	###	###	###	###	
No.	DATE	DESCRIPTION		BY	
COMPUTER FILE MANAGEMENT					
FILE NAME: S:\20.886.028 (Trails F3)\100 Dwg\104 Plan Sets\Construction Plans\GEC Plan\ECN01.dwg					
CTB FILE: ---					
PLOT DATE: April 26, 2022 3:28:03 PM					
THIS DRAWING IS CURRENT AS OF PLOT DATE AND MAY BE SUBJECT TO CHANGE.					



BENCHMARK
 COLORADO SPRINGS UTILITIES (FIMS) MONUMENT F206
 A BERNTSEN TOP SECURITY MONUMENT SYSTEM WITH A 3.5-INCH DIAMETER ALUMINUM CAP IN A ROAD BOX, LOCATED ON THE NORTHWEST CORNER OF FONTAINE BOULEVARD AND POWERS BOULEVARD.
 ELEVATION - 5897.89' U.S. SURVEY FT.

BASIS OF BEARING
 BEARINGS ARE BASED ON THE NORTH LINE OF THE NORTHWEST QUARTER OF SECTION 9, TOWNSHIP 15 SOUTH, RANGE 65 WEST OF THE 6TH P.M. SAID LINE BEARS S89°51'23"E FROM THE NORTHWEST CORNER OF SAID SECTION 9 (2 1/2' AULM. CAP PLS 17664) TO THE N 1/4 CORNER OF SAID SECTION 9 (3 1/4' AULM. CAP PLS 10377)

PREPARED BY:

SEAL

FOR AND ON BEHALF OF
 MATRIX DESIGN GROUP, INC.
 PROJECT No. 20.886.028

TRAILS AT ASPEN RIDGE

FILING NO. 3
 FINAL GRADING AND EROSION CONTROL PLANS

EROSION CONTROL NOTES

DESIGNED BY:	NMS	SCALE	DATE ISSUED:	AUGUST 2021	DRAWING No.
DRAWN BY:	TRS	HORIZ	N/A	9 OF 9	ECN03
CHECKED BY:	NMS	VERT.	N/A	SHEET	