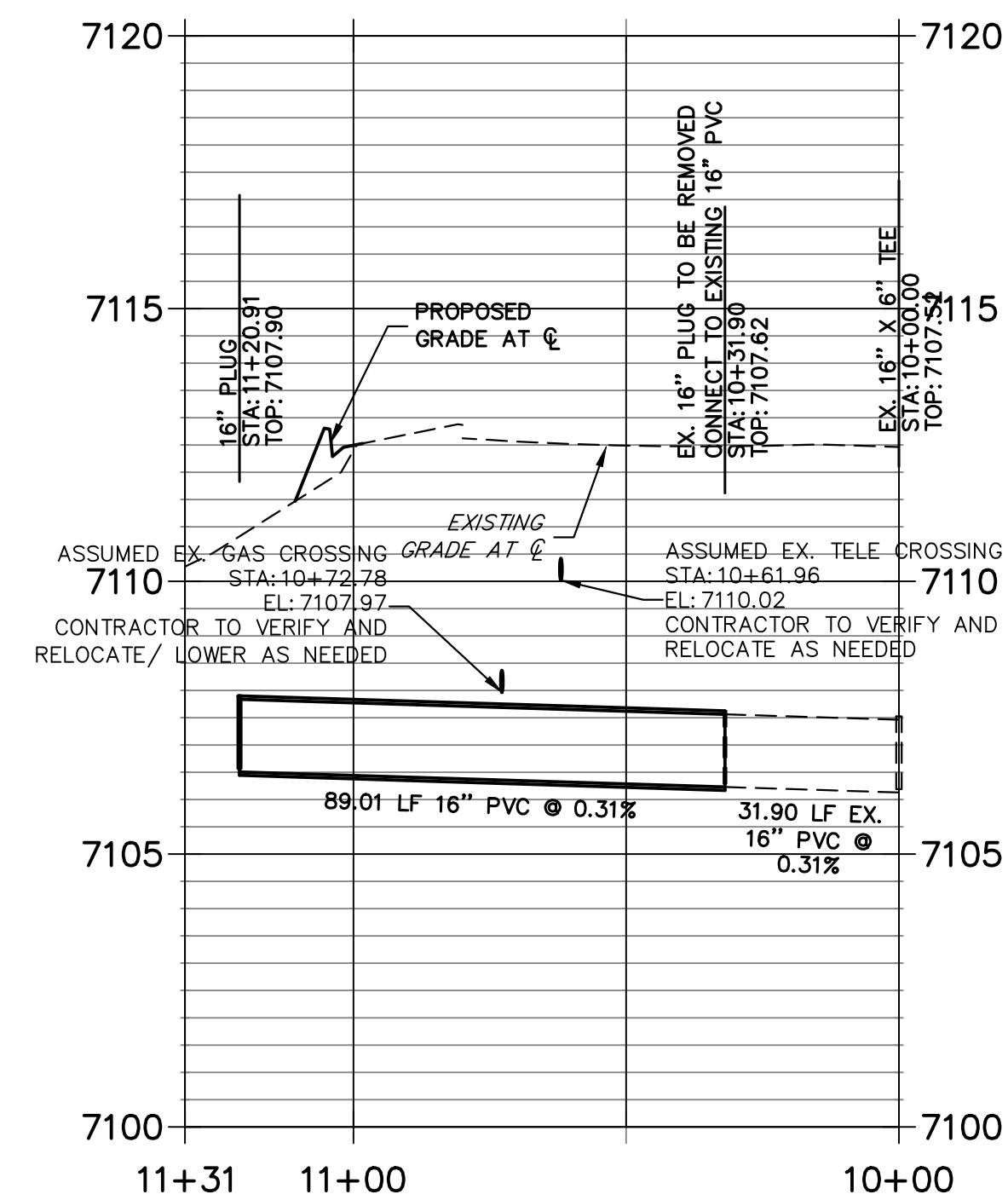
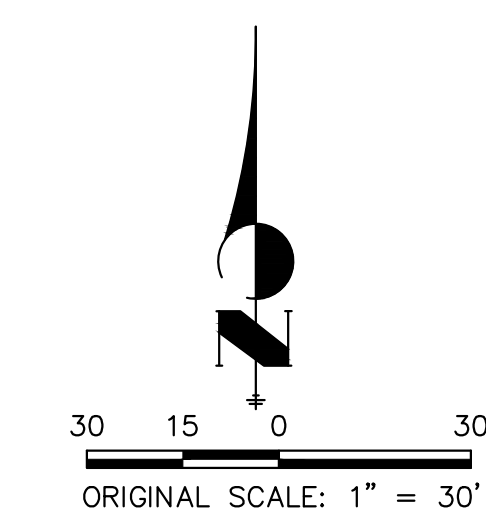


**DINES BLVD WL EXTENSION PROFILE
STA 10+00.00 TO 11+30.91**



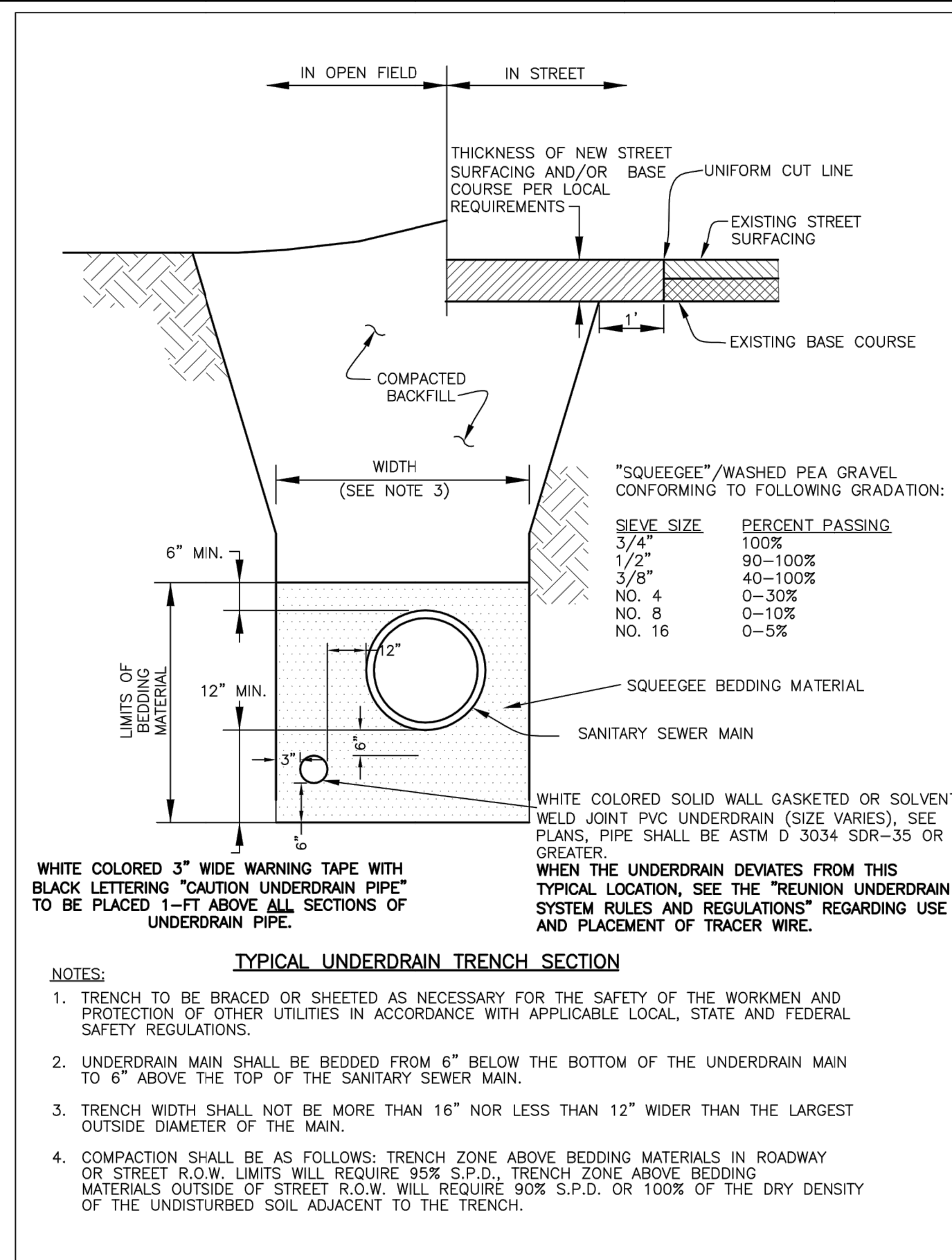
Know what's below.
Call before you dig.



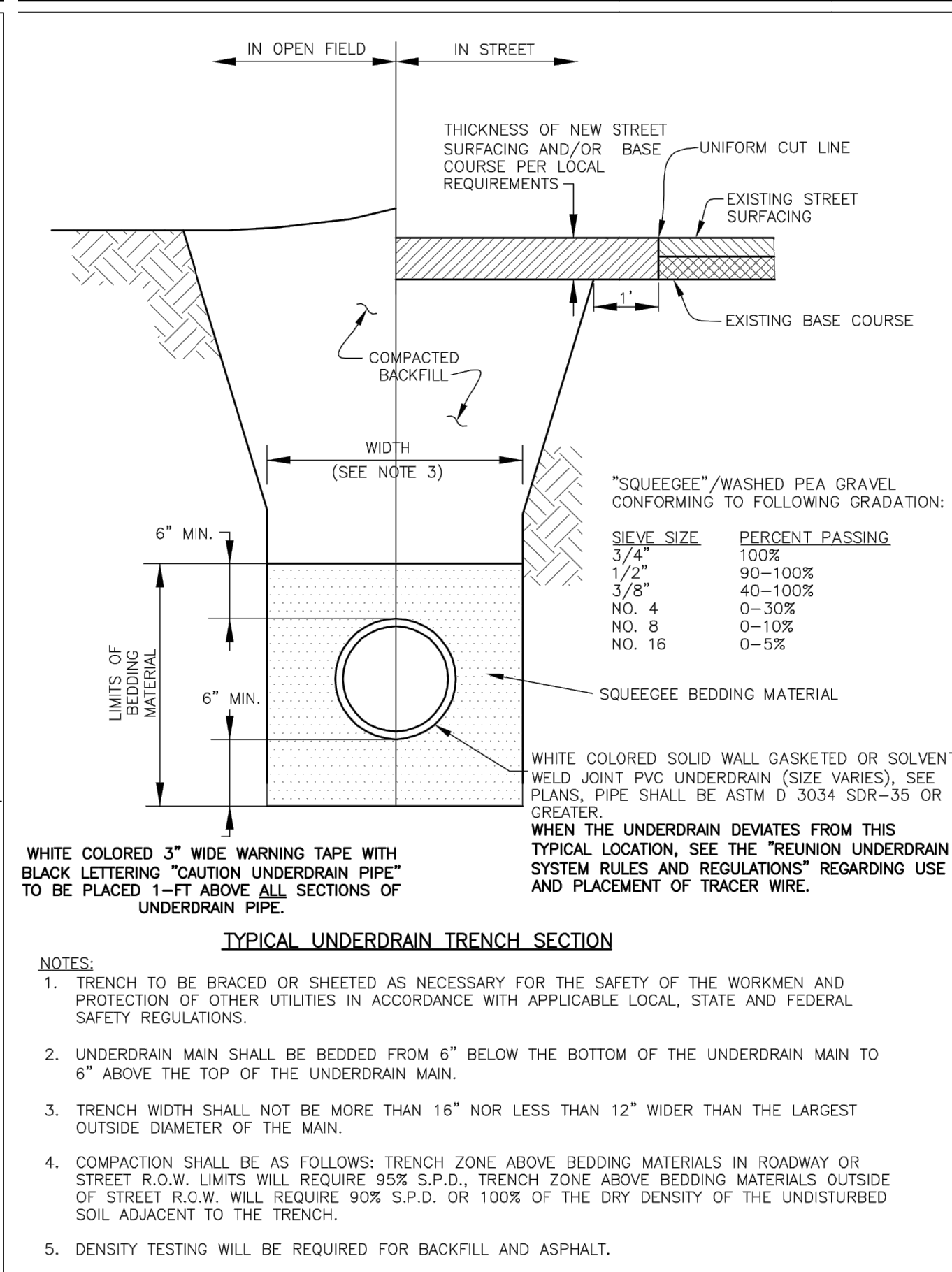
ENGINEER'S STATEMENT

PREPARED UNDER MY DIRECT SUPERVISION AND ON BEHALF OF JR ENGINEERING
Mike A. Bramlett
 MIKE A. BRAMLETT, P.E.
 COLORADO P.E. 32314
 FOR AND ON BEHALF OF JR ENGINEERING, INC.
 DATE 12/12/22

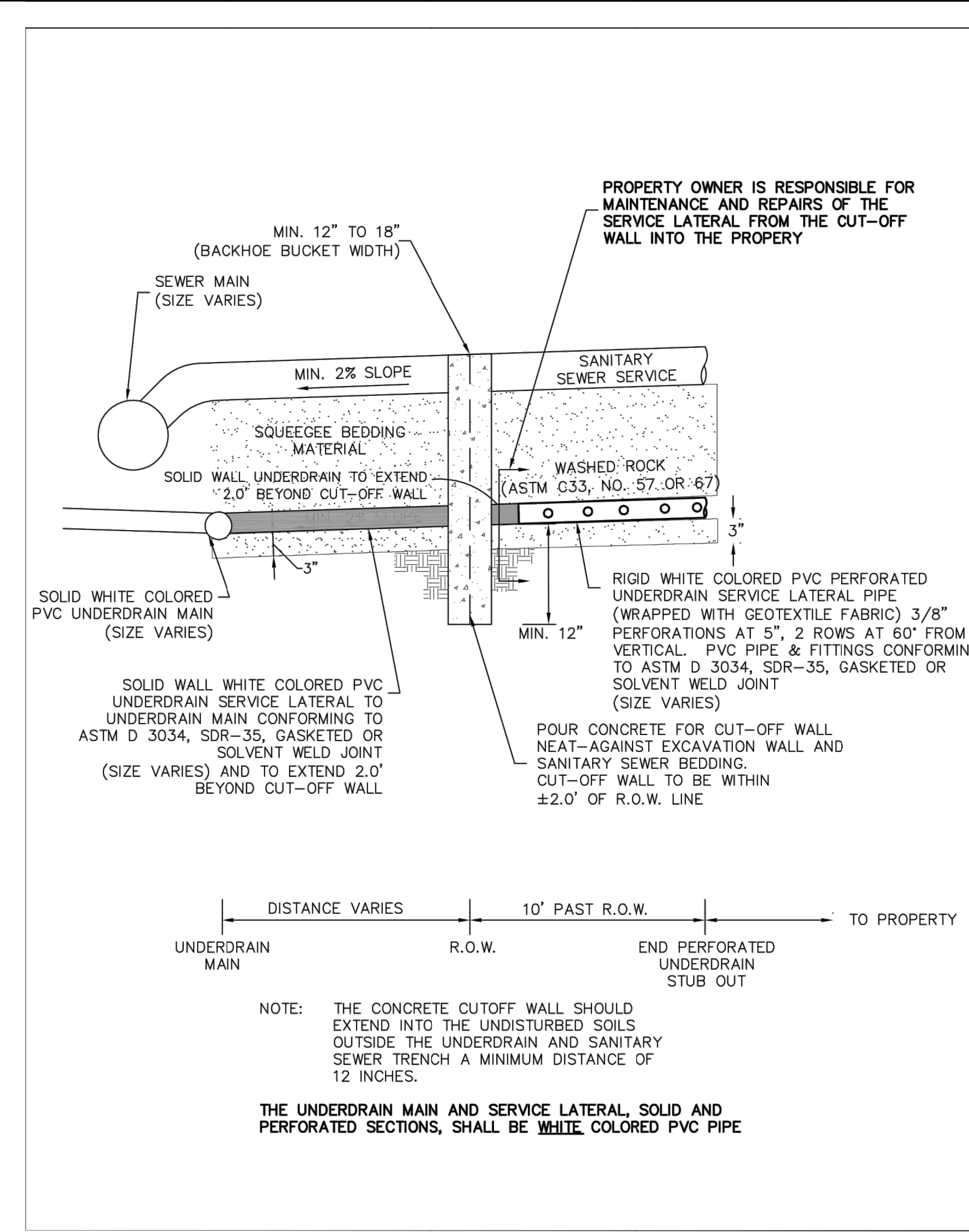
UNTIL SUCH TIME AS THESE DRAWINGS ARE APPROVED BY THE APPROPRIATE REVIEWING AGENCIES, JR ENGINEERING APPROVES THEIR USE FOR PURPOSES DESIGNATED BY WRITTEN AUTHORIZATION.	
PREPARED FOR	SR LAND, LLC 20 BOULDER CRESCENT SUITE 201 COLORADO SPRINGS, CO 80903 JAMES F. MORLEY (719) 471-1742
 J.R. ENGINEERING A Westman Company Centennial 303-740-9888 • Colorado Springs 719-583-2583 Fort Collins 970-491-9888 • www.jrengineering.com	
BY	DATE
No.	REVISION
H-SCALE	1"=40'
V-SCALE	N/A
DATE	11/29/22
DESIGNED BY	RAB
DRAWN BY	AUH
CHECKED BY	
AMENDMENT TO STERLING RANCH WATER AND SANITARY INFRASTRUCTURE	
WATER PLAN AND PROFILE	
SHEET	2 OF 4
JOB NO.	25188.00



UNDERDRAIN TYPICAL TRENCH
SCALE: NTS



UNDERDRAIN TYPICAL TRENCH OUTSIDE OF SANITARY SEWER
SCALE: NTS



UNDER DRAIN CUT-OFF WALL DETAIL
SCALE: NTS

UNTIL SUCH TIME AS THESE DRAWINGS ARE APPROVED BY THE APPROPRIATE REVIEWING AGENCIES, OR ENGINEERING APPROVES THEIR USE, THESE DRAWINGS ARE DESIGNATED BY WRITTEN AUTHORIZATION.

PREPARED FOR
SR LAND, LLC
20 BOULDER CRESCENT
SUITE 201
COLORADO SPRINGS, CO 80903
JAMES F. MORLEY
(719) 471-1742

J.R. ENGINEERING
A Westman Company
Central 303-740-8888 • Colorado Springs 719-588-2583
Fort Collins 970-491-9888 • www.jrengineering.com

No.	REVISION	BY	DATE	H-SCALE	V-SCALE	DATE	DESIGNED BY	DRAWN BY	CHECKED BY
				1"=40'	N/A	11/29/22	RAB	AUH	

AMENDMENT TO STERLING RANCH WATER AND SANITARY INFRASTRUCTURE
DETAILS