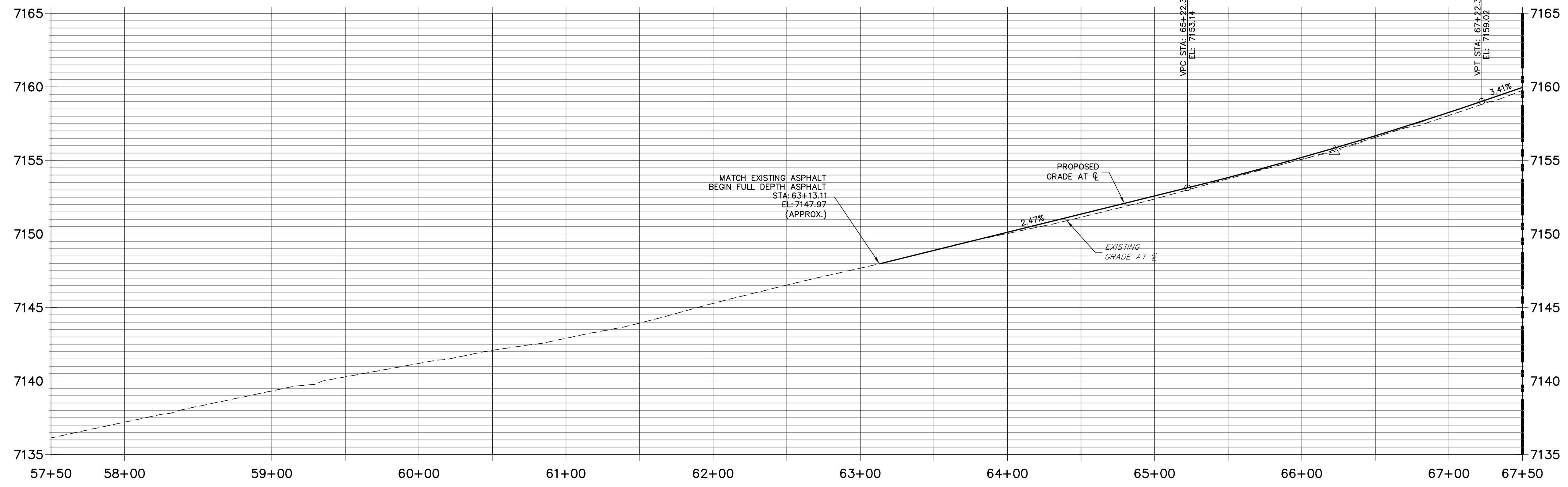


LINE AND CURVE TABLE — VOLLMER NORTH

LINE/CURVE	BEARING/Delta	LENGTH	RADIUS
L1	N39°33'48"E	2083.54'	
C1	27°30'38"	393.78'	820.12'
L2	N9°52'19"E	1001.18'	
C2	10°21'16"	247.73'	1370.85'

VOLLMER NORTH PROFILE (1)
STA 57+50.00 TO 67+50.00

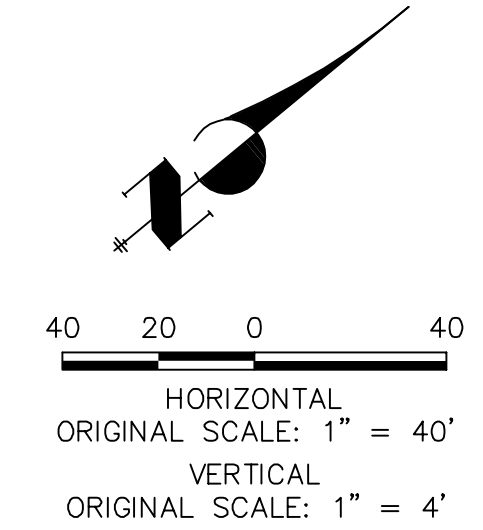


LEGEND

- PROPOSED FULL DEPTH ASPHALT REMOVAL
- PROPOSED MILL & OVERLAY (2" DEPTH)
- PROPOSED FULL DEPTH ASPHALT
- PROPOSED CONCRETE PAVEMENT
- PROPOSED SIDEWALK (4" DEPTH)

ROADWAY NOTES

- ALL STATIONING AND PROFILE ELEVATIONS ARE ROADWAY CENTERLINE UNLESS OTHERWISE NOTED.
- URBAN MINOR ARTERIAL IS BASED ON A DESIGN SPEED OF 40 MPH. REDIRECT TAPERS ARE BASED ON A DESIGN SPEED OF 50 MPH.



ENGINEER'S STATEMENT
 PREPARED UNDER THE AUTHORITY OF THE BOARD OF PROFESSIONAL ENGINEERS OF THE STATE OF COLORADO
 MIKE A. BRAMLEY, P.E.
 11/11/21
 FOR AND ON BEHALF OF JR ENGINEERING, LLC

UNTIL SUCH TIME AS THESE DRAWINGS ARE APPROVED BY THE APPROPRIATE REVIEWING AGENCIES, JR ENGINEERING APPROVES THEIR USE ONLY AS DESIGNATED BY WRITTEN AUTHORIZATION.

PREPARED FOR
SR LAND, LLC
 20 BOULDER CRESCENT
 SUITE 201
 COLORADO SPRINGS, CO 80903
 JAMES F. MORLEY
 (719) 471-1742

J.R. ENGINEERING
 A Westman Company
 Centennial 303-740-9883 • Colorado Springs 719-593-2593
 Fort Collins 970-491-9888 • www.jrengineering.com

BY	DATE	REVISION

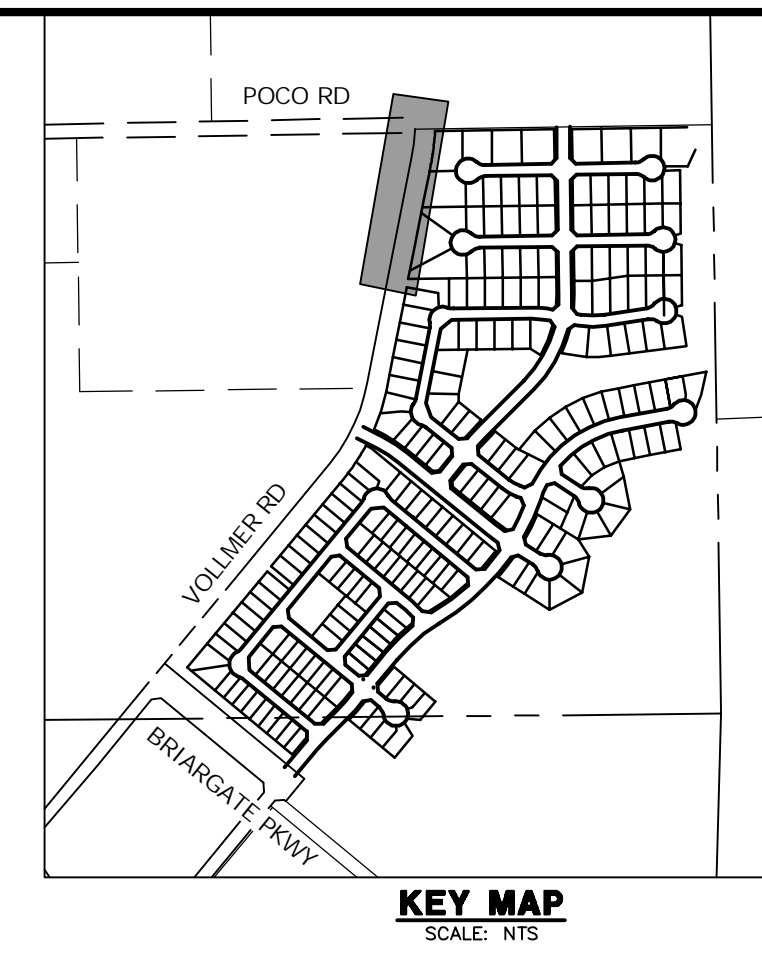
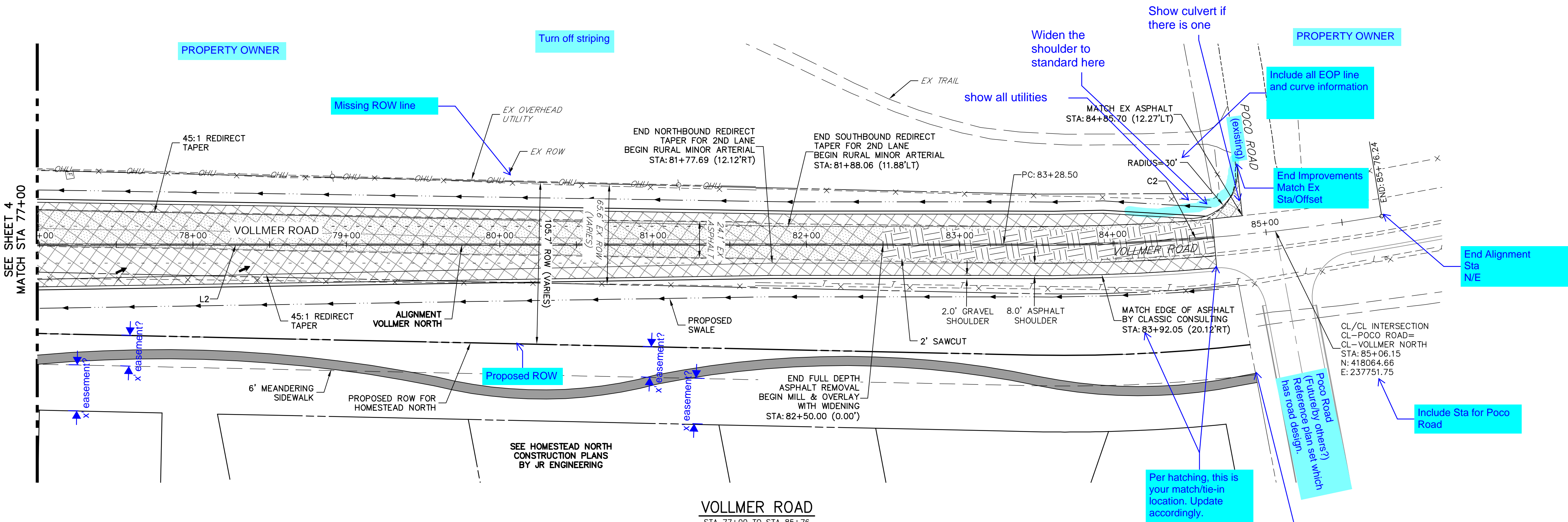
H-SCALE: 1"=40'
 V-SCALE: 1"=4'
 DATE: 11/12/21
 DESIGNED BY: CWC
 DRAWN BY: CWC
 CHECKED BY: CWC

VOLLMER ROAD (NORTH)
ROADWAY PLAN & PROFILE

SHEET 3 OF 9
 JOB NO. 25188.00

X:\25188\25188\Drawings\Sheet\Drawings\Vollmer North\Sheet Plan and Profile\251880_Vollmer North\Sheet Plan and Profile.dwg, 5/11/2021 9:45:18 AM, CorneigC

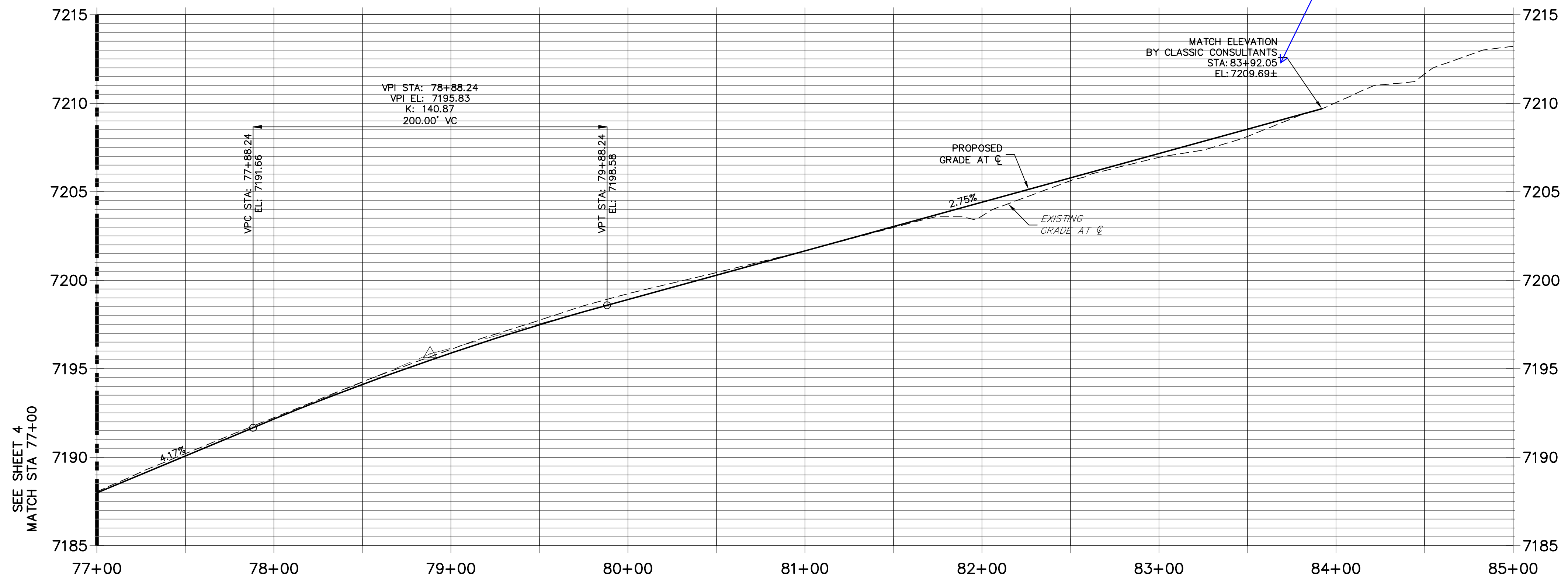




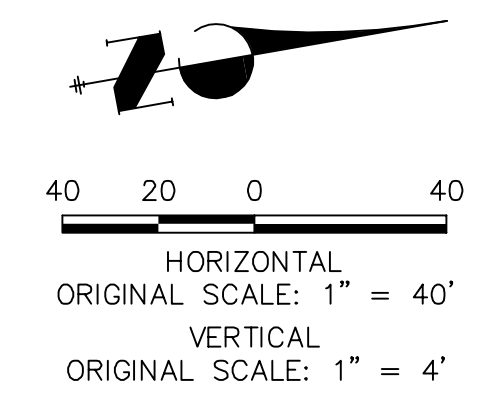
LINE AND CURVE TABLE — VOLLMER NORTH

LINE/CURVE	BEARING/Delta	LENGTH	RADIUS
L1	N39°33'48"E	2083.54'	
C1	27°30'38"	393.78'	820.12'
L2	N9°52'19"E	1001.18'	
C2	10°21'16"	247.73'	1370.85'

VOLLMER NORTH PROFILE (3)
STA 77+00.00 TO 85+00.00



- LEGEND**
- PROPOSED FULL DEPTH ASPHALT REMOVAL
 - PROPOSED MILL & OVERLAY (2" DEPTH)
 - PROPOSED FULL DEPTH ASPHALT
 - PROPOSED CONCRETE PAVEMENT
 - PROPOSED SIDEWALK (4" DEPTH)
- ROADWAY NOTES**
- ALL STATIONING AND PROFILE ELEVATIONS ARE ROADWAY CENTERLINE UNLESS OTHERWISE NOTED.
 - URBAN MINOR ARTERIAL IS BASED ON A DESIGN SPEED OF 40 MPH. REDIRECT TAPERS ARE BASED ON A DESIGN SPEED OF 50 MPH.



ENGINEER'S STATEMENT
 PREPARED UNDER THE AUTHORITY OF THE BOARD OF PROFESSIONAL ENGINEERS, STATE OF COLORADO, FOR AND ON BEHALF OF JR ENGINEERING, INC.
 MIKE A. BRAMLEY, P.E.
 PRELIMINARY NOT FOR CONSTRUCTION
 11/11/21

UNTIL SUCH TIME AS THESE DRAWINGS ARE APPROVED BY THE APPROPRIATE REVIEWING AGENCIES, JR ENGINEERING APPROVES THEIR USES AS DESIGNATED BY WRITTEN AUTHORIZATION.

PREPARED FOR
SR LAND, LLC
 20 BOULDER CRESCENT SUITE 201
 COLORADO SPRINGS, CO 80903
 JAMES F. MORLEY (719) 471-1742

J.R. ENGINEERING
 A Westrian Company
 Centennial 303-740-9888 • Colorado Springs 719-593-2593
 Fort Collins 970-491-9888 • www.jrengineering.com

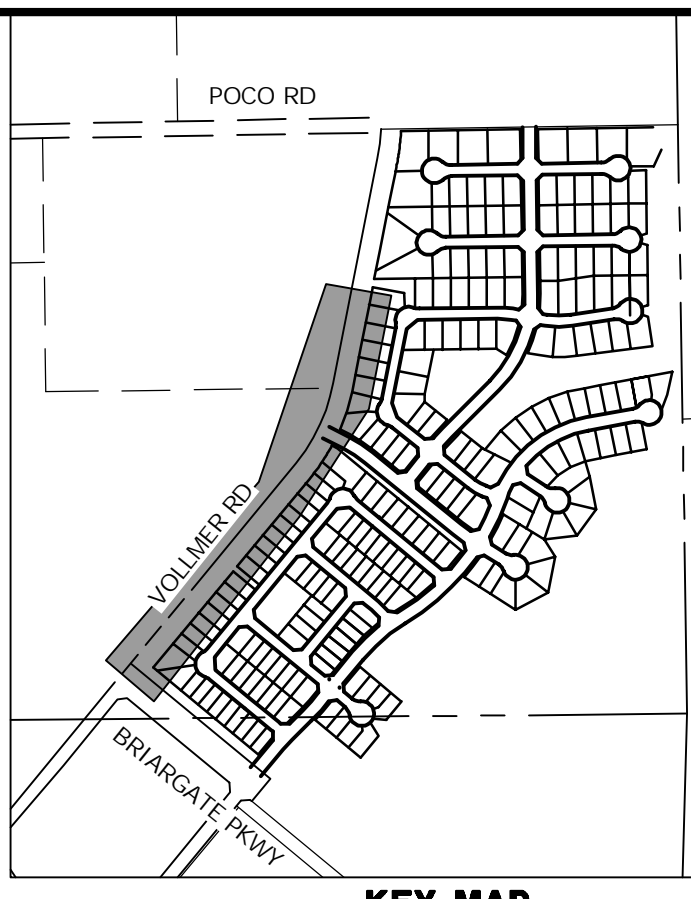
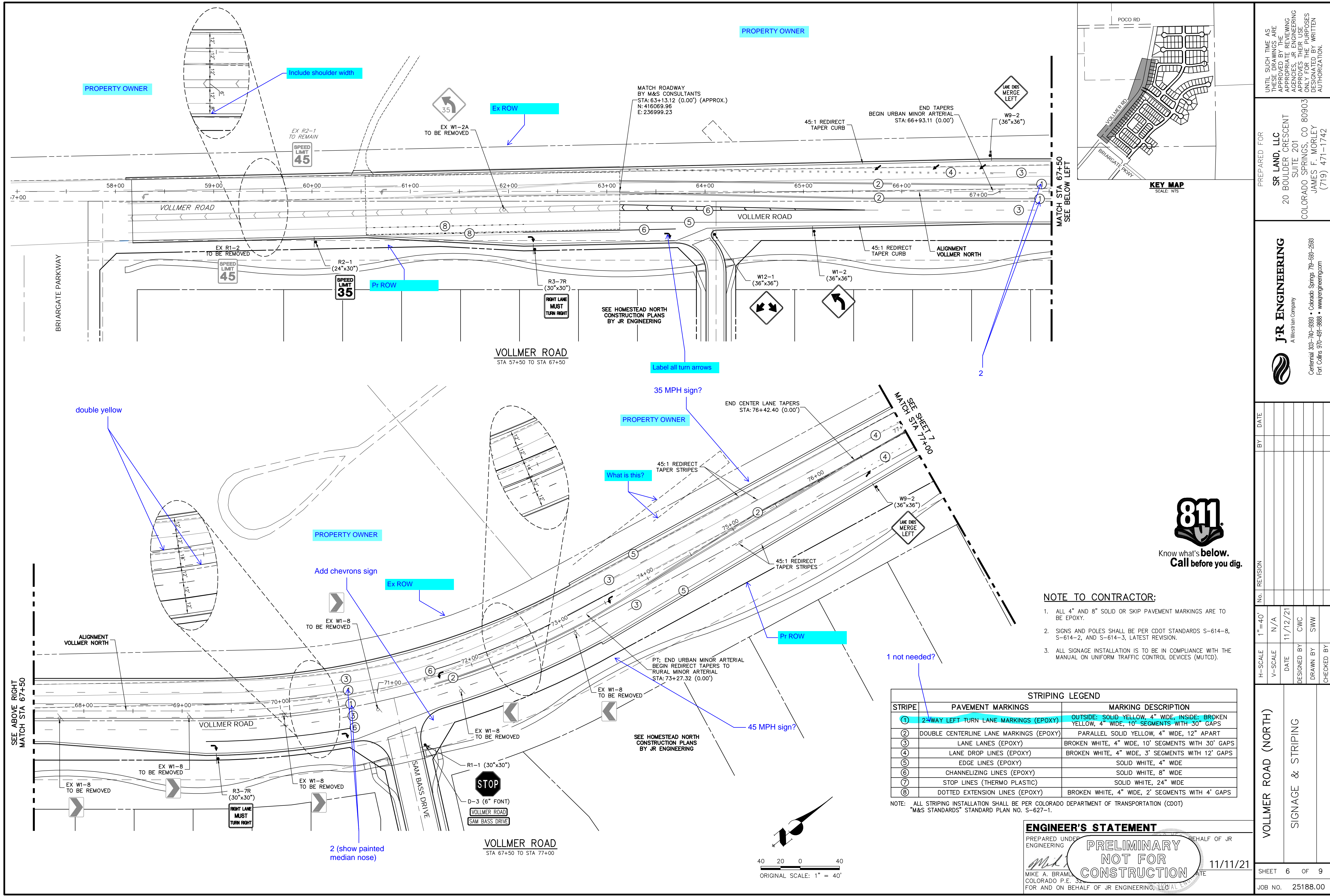
BY	DATE	REVISION

H-SCALE 1"=40'
 V-SCALE 1"=4'
 DATE 11/12/21
 DESIGNED BY CWC
 DRAWN BY CWC
 CHECKED BY

VOLLMER ROAD (NORTH)
 ROADWAY PLAN & PROFILE

SHEET 5 OF 9
 JOB NO. 25188.00

X:\25188\25188\Drawings\Sheet Drawings\Vollmer North\Sheet Plan and Profile\2518800_Vollmer North\Sheet Plan and Profile.dwg, 5/11/2021 9:53:36 AM, CorneigC



UNTIL SUCH TIME AS THESE DRAWINGS ARE APPROVED BY THE AGENCIES, JR ENGINEERING APPROVES THEIR USES DESIGNATED BY WRITTEN AUTHORIZATION.

PREPARED FOR
SR LAND, LLC
 20 BOULDER CRESCENT
 SUITE 201
 COLORADO SPRINGS, CO 80903
 JAMES F. MORLEY
 (719) 471-1742

J.R. ENGINEERING
 A Westman Company
 Centennial 303-740-9883 • Colorado Springs 719-593-2593
 Fort Collins 970-491-9888 • www.jrengineering.com



NOTE TO CONTRACTOR:

- ALL 4" AND 8" SOLID OR SKIP PAVEMENT MARKINGS ARE TO BE EPOXY.
- SIGNS AND POLES SHALL BE PER CDOT STANDARDS S-614-8, S-614-2, AND S-614-3, LATEST REVISION.
- ALL SIGNAGE INSTALLATION IS TO BE IN COMPLIANCE WITH THE MANUAL ON UNIFORM TRAFFIC CONTROL DEVICES (MUTCD).

STRIPE	PAVEMENT MARKINGS	MARKING DESCRIPTION
①	2-WAY LEFT TURN LANE MARKINGS (EPOXY)	OUTSIDE: SOLID YELLOW, 4" WIDE, INSIDE: BROKEN YELLOW, 4" WIDE, 10' SEGMENTS WITH 30" GAPS
②	DOUBLE CENTERLINE LANE MARKINGS (EPOXY)	PARALLEL SOLID YELLOW, 4" WIDE, 12" APART
③	LANE LANES (EPOXY)	BROKEN WHITE, 4" WIDE, 10' SEGMENTS WITH 30' GAPS
④	LANE DROP LINES (EPOXY)	BROKEN WHITE, 4" WIDE, 3' SEGMENTS WITH 12' GAPS
⑤	EDGE LINES (EPOXY)	SOLID WHITE, 4" WIDE
⑥	CHANNELIZING LINES (EPOXY)	SOLID WHITE, 8" WIDE
⑦	STOP LINES (THERMO PLASTIC)	SOLID WHITE, 24" WIDE
⑧	DOTTED EXTENSION LINES (EPOXY)	BROKEN WHITE, 4" WIDE, 2' SEGMENTS WITH 4' GAPS

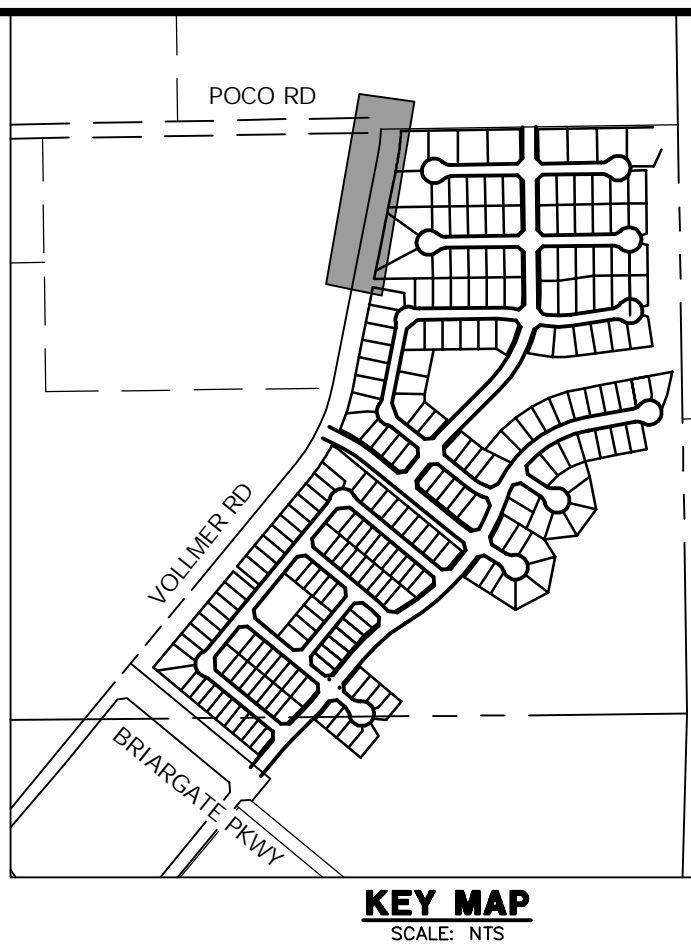
NOTE: ALL STRIPING INSTALLATION SHALL BE PER COLORADO DEPARTMENT OF TRANSPORTATION (CDOT) "M&S STANDARDS" STANDARD PLAN NO. S-627-1.

ENGINEER'S STATEMENT
 PREPARED UNDER THE AUTHORITY OF THE BOARD OF PROFESSIONAL ENGINEERS FOR AND ON BEHALF OF JR ENGINEERING, LLC
 MIKE A. BRAMLEY
 COLORADO P.E. No. 11122021
 DATE: 11/11/21
PRELIMINARY NOT FOR CONSTRUCTION

VOLLMER ROAD (NORTH)
 SIGNAGE & STRIPING

SHEET 6 OF 9
 JOB NO. 25188.00

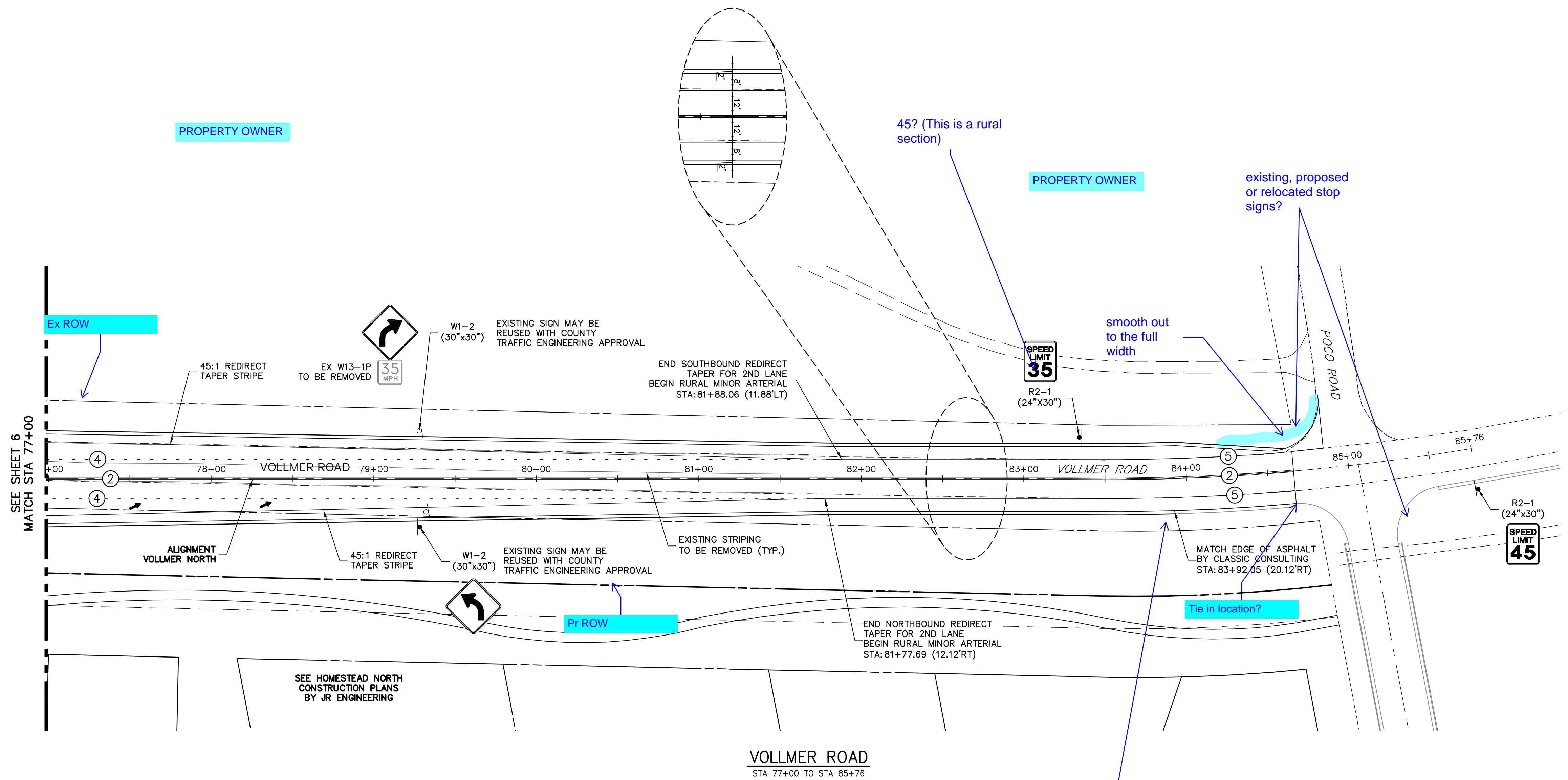
X:\25188\2518800\Drawings\Sheet\Drawings\North\Signage and Striping\2518800_Vollmer North Signage and Striping.dwg, SDR-1, 11/12/2021 9:28:42 AM, C:\msdcs\...



UNTIL SUCH TIME AS THESE DRAWINGS ARE APPROVED BY THE APPROPRIATE REVIEWING AGENCIES, JR ENGINEERING APPROVES THEIR USE AS DESIGNATED BY WRITTEN AUTHORIZATION.

PREPARED FOR
SR LAND, LLC
 20 BOULDER CRESCENT
 SUITE 201
 COLORADO SPRINGS, CO 80903
 JAMES F. MORLEY
 (719) 471-1742

J.R. ENGINEERING
 A Westman Company
 Centennial 303-740-9883 • Colorado Springs 719-593-2583
 Fort Collins 970-491-9888 • www.jrengineering.com

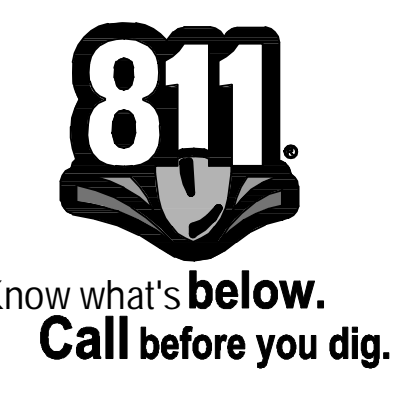
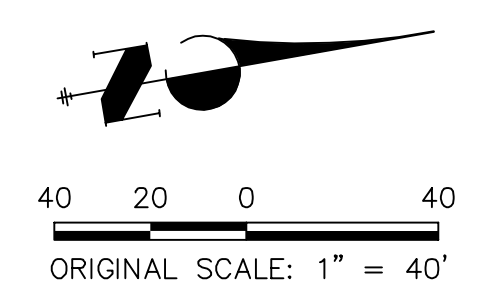


NOTE TO CONTRACTOR:

- ALL 4" AND 8" SOLID OR SKIP PAVEMENT MARKINGS ARE TO BE EPOXY.
- SIGNS AND POLES SHALL BE PER CDOT STANDARDS S-614-8, S-614-2, AND S-614-3, LATEST REVISION.
- ALL SIGNAGE INSTALLATION IS TO BE IN COMPLIANCE WITH THE MANUAL ON UNIFORM TRAFFIC CONTROL DEVICES (MUTCD).

STRIPING LEGEND		
STRIPE	PAVEMENT MARKINGS	MARKING DESCRIPTION
①	2-WAY LEFT TURN LANE MARKINGS (EPOXY)	OUTSIDE: SOLID YELLOW, 4" WIDE, INSIDE: BROKEN YELLOW, 4" WIDE, 10' SEGMENTS WITH 30" GAPS
②	DOUBLE CENTERLINE LANE MARKINGS (EPOXY)	PARALLEL SOLID YELLOW, 4" WIDE, 12" APART
③	LANE LANES (EPOXY)	BROKEN WHITE, 4" WIDE, 10' SEGMENTS WITH 30' GAPS
④	LANE DROP LINES (EPOXY)	BROKEN WHITE, 4" WIDE, 3' SEGMENTS WITH 12' GAPS
⑤	EDGE LINES (EPOXY)	SOLID WHITE, 4" WIDE
⑥	CHANNELIZING LINES (EPOXY)	SOLID WHITE, 8" WIDE
⑦	STOP LINES (THERMO PLASTIC)	SOLID WHITE, 24" WIDE
⑧	DOTTED EXTENSION LINES (EPOXY)	BROKEN WHITE, 4" WIDE, 2' SEGMENTS WITH 4' GAPS

NOTE: ALL STRIPING INSTALLATION SHALL BE PER COLORADO DEPARTMENT OF TRANSPORTATION (CDOT) "M&S STANDARDS" STANDARD PLAN NO. S-627-1.



No.	REVISION	BY	DATE	DESIGNED BY		DRAWN BY		CHECKED BY	
				CWC	SWW	CWC	SWW	CWC	SWW
1"	40'								
H-SCALE									
V-SCALE									
DATE									
11/12/21									

VOLLMER ROAD (NORTH)

SIGNAGE & STRIPING

SHEET 7 OF 9

JOB NO. 25188.00

ENGINEER'S STATEMENT

PREPARED UNDER THE AUTHORITY OF THE PROFESSIONAL ENGINEER IN CHARGE OF THE PROJECT FOR AND ON BEHALF OF JR ENGINEERING, LLC

PRELIMINARY NOT FOR CONSTRUCTION

MIKE A. BRAMLEY
 COLORADO P.E. No. 37411
 11/11/21

