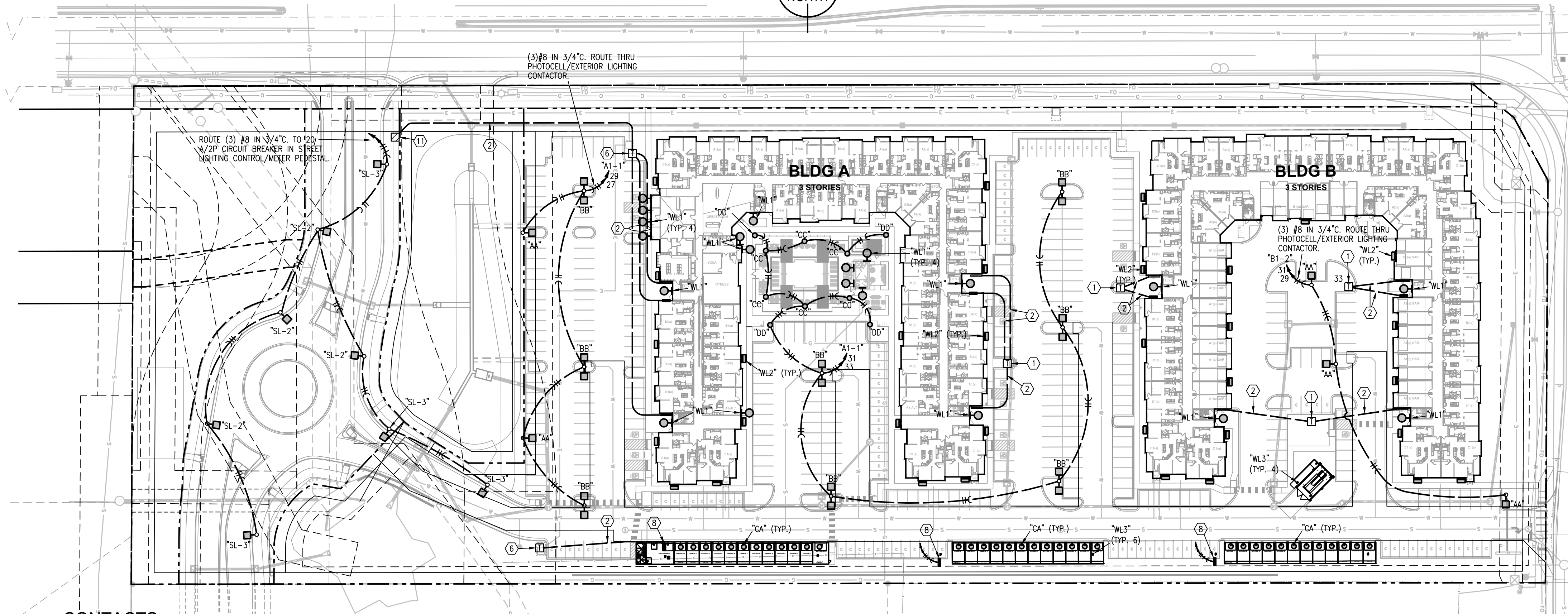
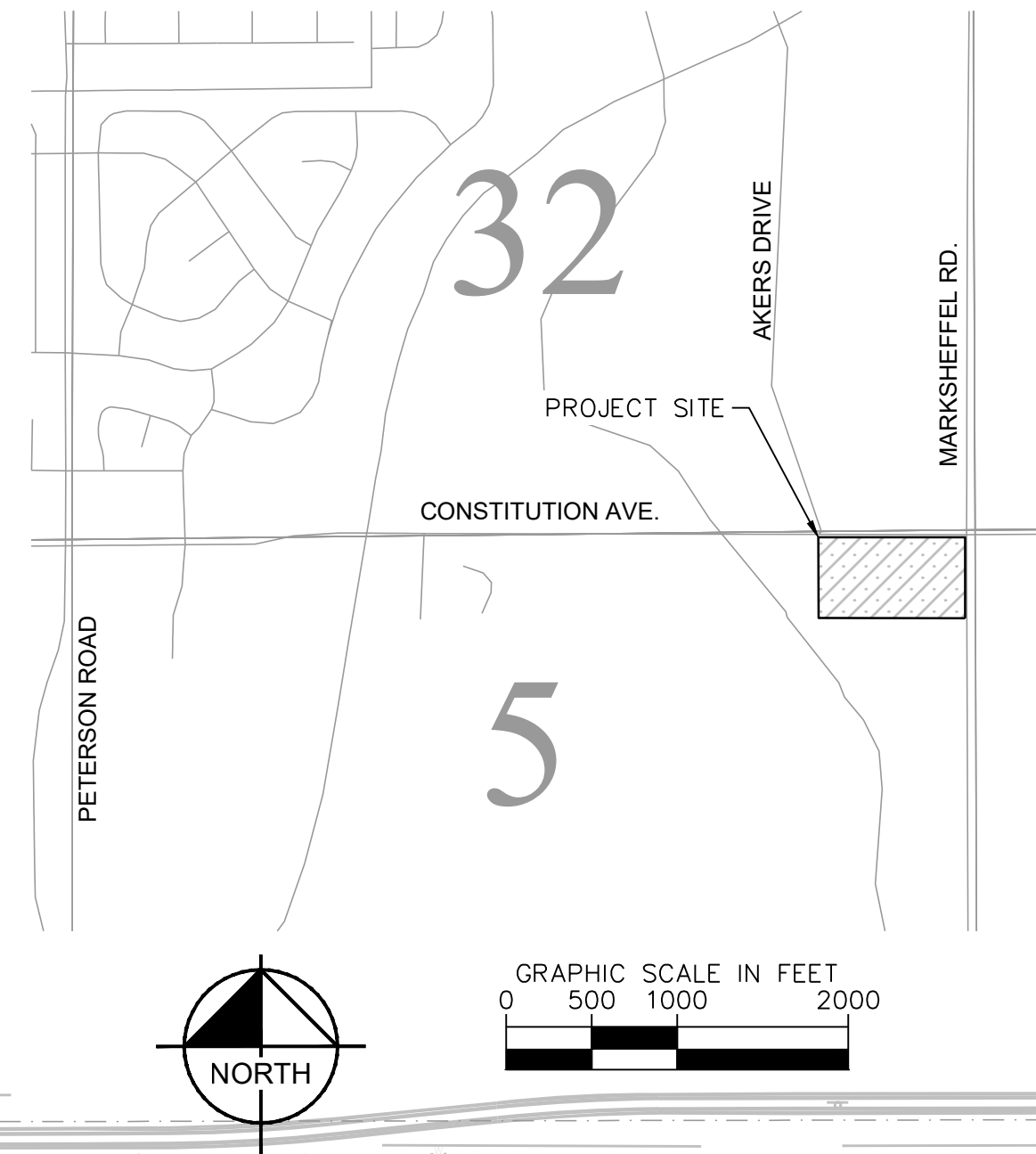


# THE CITIZEN ON CONSTITUTION

## SITE DEVELOPMENT PLAN

A PORTION OF THE NORTHEAST QUARTER OF SECTION 5, TOWNSHIP 14 SOUTH, RANGE 65 WEST OF THE 6TH P.M.,  
CITY OF COLORADO SPRINGS, COUNTY OF EL PASO, STATE OF COLORADO



- NOTES:**
- COORDINATE WATER AND SANITARY SEWER WITH CIVIL DRAWINGS. VERIFY ALL UTILITY LOCATIONS WITH PROVIDERS.
  - PRIMARY AND SECONDARY POWER AND TRANSFORMER LOCATIONS SHOWN ARE PRELIMINARY ONLY. FINAL DESIGN BY COLORADO SPRINGS UTILITIES. VERIFY PRIMARY CONDUIT ROUTING AND REQUIREMENTS/CONTRACTOR RESPONSIBILITIES WITH UTILITY COMPANY AND INCLUDE ALL COSTS. CONTACT JOE REUTER, JREUTER@CSU.ORG
  - CONTRACTOR SHALL INCLUDE IN BASE BID ALL COSTS AND FEES IMPOSED BY THE UTILITY PROVIDERS TO ESTABLISH SERVICE TO THE BUILDING.
  - FIELD VERIFY ALL ABOVE AND BELOW GRADE UTILITIES. CALL 1-800-DIG-SAFE (1-800-344-7233) 48 HOURS PRIOR TO ANY DIGGING FOR UTILITY LOCATORS.
  - REFER TO CIVIL DRAWINGS FOR COORDINATION AND LOCATION OF OTHER BUILDING SERVICES.
  - TRANSFORMER AND LIGHT POLE LOCATIONS SHALL BE COORDINATED WITH OTHER SITE UTILITIES AND LOCATED SUCH THAT THEY ARE NOT DIRECTLY ABOVE UNDERGROUND UTILITIES.
  - PROVIDE PULL STRING IN ALL VOICE/DATA/CATV CONDUITS.
  - REFERENCE BUILDING PLANS FOR CIRCUITING OF BUILDING MOUNTED EXTERIOR LIGHTING

- LEGEND:**
- PROPOSED LOCATION FOR 3 PHASE TRANSFORMER. TRANSFORMER BY POWER COMPANY. PAD BY CONTRACTOR ACCORDING TO POWER COMPANY STANDARDS.
  - FEEDERS AND CONDUIT FOR SECONDARY SERVICE FROM TRANSFORMER TO BUILDING ALONG WITH TRENCHING AND BACKFILL BY CONTRACTOR. TRANSFORMER BY POWER COMPANY. REFER TO RISER DIAGRAM FOR DETAILS.
  - 24"x36"x30" QUARTZITE HANDHOLE FOR TELE/DATA/CATV SYSTEMS. VERIFY SIZE, QUANTITY AND LOCATION WITH UTILITY PROVIDER(S).
  - (3) 4" C. FOR VOICE/DATA/CATV SYSTEMS AT 36" MIN. BELOW-GRADE. VERIFY SIZE AND QUANTITY WITH UTILITY PROVIDER(S).
  - ROUTE (3) 4" C. FOR VOICE/DATA/CATV SYSTEMS TO DEMARC LOCATION AT 36" MIN. BELOW-GRADE. VERIFY SIZE, QUANTITY AND DEMARC LOCATION WITH UTILITY PROVIDER(S).
  - PROPOSED LOCATION FOR 1 PHASE TRANSFORMER TRANSFORMER POWER COMPANY. PAD BY CONTRACTOR ACCORDING TO POWER COMPANY STANDARDS.
  - 3/4" C. UP TO GAS GRILL (90 MBH). PROVIDE WITH GAS SHUTOFF VALVE AND SOLENOID VALVE. CONNECTED TO TIMER. REFERENCE LANDSCAPE DRAWINGS.
  - GARAGE PANEL. REFER TO SHEET ME201 FOR SIZE. FEEDER SHALL CONSIST OF (4) #8 IN 1" C. TO DESIGNATED HOUSE PANEL IN BUILDING #2.
  - (3) #8 IN 3/4" C. ROUTE THRU PHOTOCELL/EXTERIOR LIGHTING CONTACTOR IN CLUBHOUSE.
  - POWER/USB PEDESTAL. REFER TO LANDSCAPE DRAWINGS.
  - STREET LIGHTING CONTROL/METER PEDESTAL EQUAL TO MYERS POWER PRODUCTS, INC. #MUG16-M100. 120/208 V., 1PH., NEMA 3R. PROVIDE WITH 100 A. MCB, BUILT-IN LIGHTING ARRESTOR, PHOTOCELL, AUTO-TEST SWITCH AND SLIP FITTING FOR CONCRETE PAD MOUNTING.

**CONTACTS:**

**OWNER:**  
THE GARRETT COMPANIES, INC.  
1051 GREENWOOD SPRINGS BLVD, SUITE 101  
GREENWOOD, IN 46143  
TEL: (317) 497-8275  
CONTACT: ANDREW WHITE

**EL PASO COUNTY:**  
EL PASO COUNTY  
PCD DEPARTMENT  
2880 INTERNATIONAL CIRCLE, SUITE 110  
COLORADO SPRINGS, CO 80910  
PHONE: (719) 520-6300

**ENGINEER:**  
KIMLEY-HORN AND ASSOCIATES, INC.  
4582 SOUTH ULSTER STREET, SUITE 1500  
DENVER, CO 80237  
TEL: (303) 228-2318  
CONTACT: DAN SKEEHAN, P.E.

**SURVEYOR:**  
BARRON LAND, LLC  
2790 N. ACADEMY BLVD. SUITE 311  
COLORADO SPRINGS, CO 80917  
TEL: (719) 360-6827  
CONTACT: SPENCER BARRON, PLS

**1 SITE PLAN**  
1"=60'-0" ELECTRICAL



CALL UTILITY NOTIFICATION  
CENTER OF COLORADO  
1-800-922-1987  
CALL 2-BUSINESS DAYS IN ADVANCE  
BEFORE YOU DIG, GRADE, OR EXCAVATE  
FOR THE MARKING OF UNDERGROUND  
MEMBER UTILITIES



**PRELIMINARY**  
FOR REVIEW ONLY  
NOT FOR  
CONSTRUCTION  
**Kimley-Horn**  
Kimley-Horn and Associates, Inc.

PROJECT NO.  
096481004  
SHEET

**E0-01**

MOH	9/12/2022	MOH	10/24/2022
1	1	NO.	REVISION
2	2	BY	DATE
			APPR

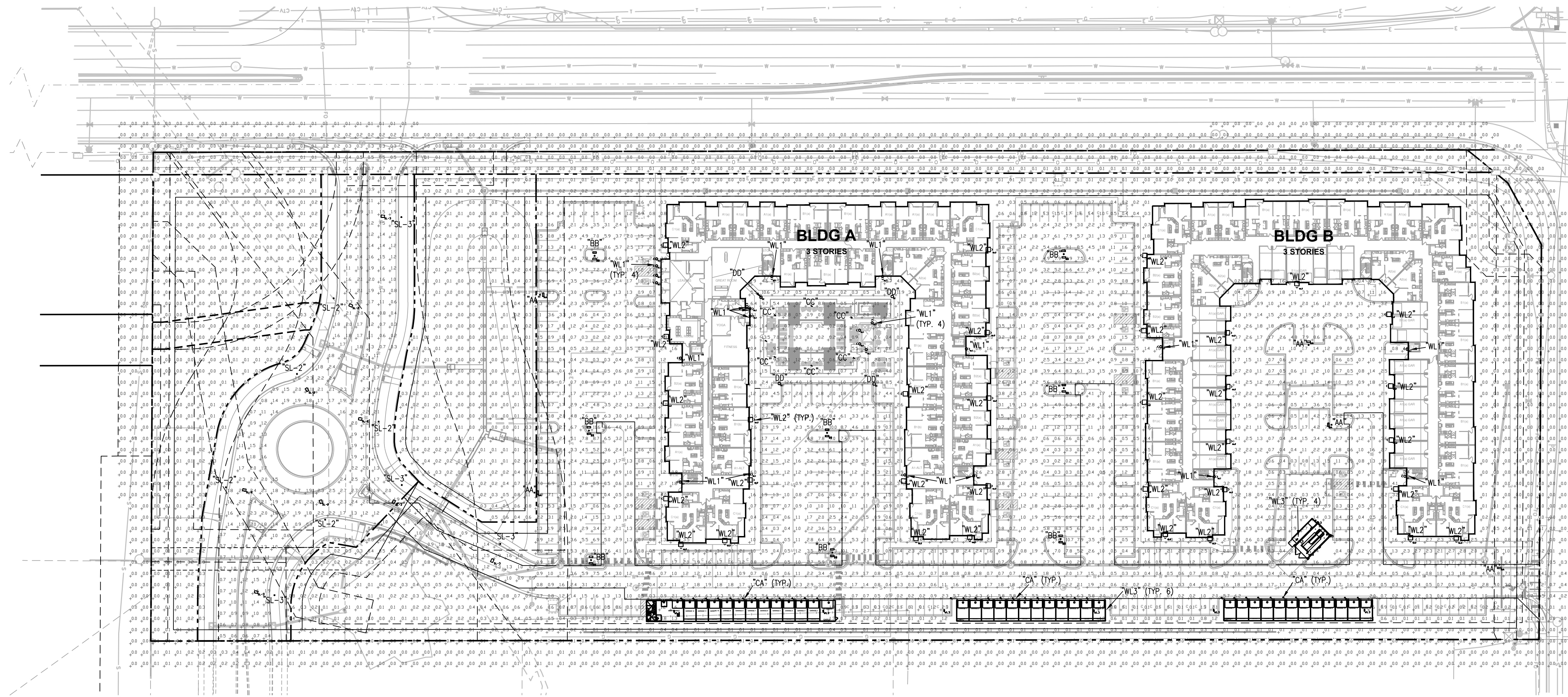
DESIGNED BY: DBE  
DRAWN BY: CAD  
CHECKED BY: DBE  
DATE: 04/18/2022

THE CITIZEN ON CONSTITUTION  
 EL PASO COUNTY, COLORADO  
 SITE DEVELOPMENT PLAN  
 SITE PLAN - ELECTRICAL

# THE CITIZEN ON CONSTITUTION

## SITE DEVELOPMENT PLAN

A PORTION OF THE NORTHEAST QUARTER OF SECTION 5, TOWNSHIP 14 SOUTH, RANGE 65 WEST OF THE 6TH P.M.,  
CITY OF COLORADO SPRINGS, COUNTY OF EL PASO, STATE OF COLORADO



**1 SITE PLAN**  
1"=60'-0" PHOTOMETRIC

PHOTOMETRIC STATISTICS (fc)				
Description	Avg	Max	Min	Average/Min
Roundabout	1.6	2.7	0.4	4.0:1
Collector Roads	1	2	0.3	3.4:1
Site	0.9	18.3	0	-

**811** Know what's below.  
Call before you dig.

CALL UTILITY NOTIFICATION  
CENTER OF COLORADO  
1-800-922-1987  
CALL 2-BUSINESS DAYS IN ADVANCE  
BEFORE YOU DIG, GRADE, OR EXCAVATE  
FOR THE MARKING OF UNDERGROUND  
MEMBER UTILITIES



10-24-22

NO.	REVISION	BY	DATE	APPR.
1			9/12/2022	MCH
2			10/24/2022	MCH

3888 SW Summerfield Drive, Suite A  
Overland Park, Kansas 66210  
Telephone: (785) 233-3252  
Email: [ls&a@ls&a.com](mailto:ls&a@ls&a.com)  
L&A PROJECT NO: 220704

**LS&A**  
Lalimer Sommers  
& Associates, P.A.  
CONSULTING ENGINEERS

DESIGNED BY: DBE  
DRAWN BY: CAD  
CHECKED BY: DBE  
DATE: 04/18/2022

THE CITIZEN ON CONSTITUTION  
EL PASO COUNTY, COLORADO  
SITE DEVELOPMENT PLAN  
SITE PLAN - PHOTOMETRICS

PRELIMINARY  
FOR REVIEW ONLY  
NOT FOR CONSTRUCTION  
**Kimley-Horn**  
Kimley-Horn and Associates, Inc.

PROJECT NO.  
096481004  
SHEET  
**E0-02**

# THE CITIZEN ON CONSTITUTION SITE DEVELOPMENT PLAN

A PORTION OF THE NORTHEAST QUARTER OF SECTION 5, TOWNSHIP 14 SOUTH, RANGE 65 WEST OF THE 6TH P.M.,  
CITY OF COLORADO SPRINGS, COUNTY OF EL PASO, STATE OF COLORADO

## EXTERIOR LIGHTING FIXTURE SCHEDULE

MARK	MANUFACTURER	CATALOG NUMBER	DESCRIPTION	MOUNTING				FINISH	LED	CODE	WATTAGE	LUMENS	LIGHT LOSS FACTOR	REMARKS
				RECESS.	SURF.	WALL	MOUNTING HEIGHT							
"AA"	MAXLITE	MP-AR-100-U-T3-30-B/GMP-PM-B	POLE LIGHT		POLE		20'-0"	DK BRONZE	X	3000K	100	12,460	0.9	1
"BB"	MAXLITE	(2) MP-AR-100-U-T3-30-B/GMP-PM-B	POLE LIGHT		POLE		20'-0"	DK BRONZE	X	3000K	100	24,920	0.9	1,2
"CC"	MAXLITE	BL-CLRD17U-30-B	BOLLARD		BOLLARD		3'-8"	DK BRONZE	X	3000 K	17	1081	0.9	
"DD"	MAXLITE	PTSM-53UT5-30B	POST TOP		POLE		12'-0"	DK BRONZE	X	3000K	53	6830	0.9	3
"SL-2"	AMERICAN ELECTRIC LIGHTING	ATB0-P203-MVOLT-R3	STREET POLE LIGHT		POLE		25'-0"	DK BRONZE	X	3000K	70	10,056	0.9	4
"SL-3"	AMERICAN ELECTRIC LIGHTING	ATB0-P203-MVOLT-R4	STREET POLE LIGHT		POLE		25'-0"	DK BRONZE	X	3000K	70	10,056	0.9	4
"WL1"	PROGRESS LIGHTING	P5676-2030K9	WALL MOUNTED LIGHT			X	6'-0"	DK BRONZE	X	3000K	9	400	0.9	
"WL2"	MAXLITE	WPCL-70-U-T4-CS-B	WALL MOUNTED LIGHT			X	20'-0"	DK BRONZE	X	3000K	70	8,872	0.9	
"WL3"	HUBBELL LIGHTING	LNC-SLU-3K-3	WALL MOUNTED LIGHT			X	8'-0"	DK BRONZE	X	3000K	13	833	0.9	
"CA"	MAXLITE	DL7119CSWH	SURFACE DOWN LIGHT			X	9'-0"	WHITE	X	3000K	11	1000	0.9	

- REMARKS:
- Provide with 20' tall direct buried screw in pole.
  - Provide with (2) heads mounted on single pole, 180 degrees apart
  - Provide with 12' tall direct buried screw in pole. Post top mounting.
  - Provide with 25' straight round steel pole. Dark Bronze in Color.

NO.	BY	DATE	APPR.
1		9/12/2022	
2		10/24/2022	

3888 SW Summerfield Drive, Suite A  
Overland Park, Kansas 66210  
Tel: (785) 233-3252  
Email: info@ls&a.com  
LS&A PROJECT NO: 220704



DESIGNED BY: DBE  
DRAWN BY: CAD  
CHECKED BY: DBE  
DATE: 04/18/2022

THE CITIZEN ON CONSTITUTION  
EL PASO COUNTY, COLORADO  
SITE DEVELOPMENT PLAN  
SITE PLAN - CUT SHEETS

PRELIMINARY  
FOR REVIEW ONLY  
NOT FOR CONSTRUCTION  
Kimley-Horn  
Kimley-Horn and Associates, Inc.

PROJECT NO.  
096481004  
SHEET  
E0-03

### AA, BB MPulse AREA LIGHT

A stunning blend of performance, value and aesthetics, the MPulse Area Light is available in a wide range of lumen packages to address a variety of outdoor lighting needs. The Area Light can be combined with a full architectural-grade LED family to create a total site solution for commercial, municipal, retail, education, and hospitality applications. Optional visual comfort optics distribute light through a non-polarized light source that creates uniform, eye-pleasing illumination with minimal glare. The high-performance, IP66-rated luminaire delivers a minimum of 120 lumens per watt, providing significant energy savings while remaining durable in the field.



DIMENSIONS: Please see pg. 4 for dimensional drawings. 100W-300W also available for wall mount applications, use QMP-KS mount

**PERFORMANCE:**

- Available in lumen packages ranging from 12,460lm to 38,400lm
- Calculated lumen maintenance value of > 90% (L90) at 100,000 hours calculated at 25°C
- 120-277V dimming standard. 347-480V options available
- 10KV surge suppression standard

**OPTICS:**

- Available in Type II, Type III, Type IV, and Type V optics

**OPTIONS:**

- NEMA 3-pin and 7-pin photocell receptacle
- High/Low/Off PIR fixture-integrated photo/motion sensor compatible with FSIR-100 remote control

**FINISHES:**

- Satin bronze and silver finish standard

**CONTROLS:**

**Photo/Motion Sensor:** The Wattstopper FSP-211 uses passive infrared (PIR) sensing technology to react to changes in infrared energy (i.e. moving body heat) within the coverage area. This slim, low-profile sensor is designed for installation inside the bottom of a light fixture body and is ideal for outdoor environments. The sensor operates at 120V/230V-240V and single phase 277V. The motion sensor is fully adjustable with dimmed light level options as well as on/off dusk to dawn control. Sensor can be combined with various lenses to operate at mounting heights from 6' to 40'. Factory settings can be adjusted via the FSIR-100, a wireless configuration tool. Note that the sensor comes with photocell setting disabled and the FSIR-100 must be purchased if photocell functionality is desired.

**FACTORY DEFAULTS:**

High Mode	10V
Low Mode	TV
Time Delay	5 Min
Cut Off	Off
Sensitivity	Max

**CONSTRUCTION:**

- Die Cast Aluminum housing
- Tempered Glass
- 12' 18/3 cord standard

**MOUNTING:**

- Straight arm, trunion swivel, and 2-3/8" slipfitter knuckle options available.

**ENVIRONMENT:**

- Listed for use in wet locations to UL standards and IP66 rated.

**PHOTOMETRICS:**

Please see page 6 for iso-footcandle layouts. All .IES files available online.

**WARRANTY:**

10-year standard warranty with labor allowance\* (further details available at [www.maxlite.com/warranties](http://www.maxlite.com/warranties))

\*Warranty Limitations: Product must be rated for the application per the Product Data Sheet (PDS); operated <16 hrs/day in ambient of -29°F to 104°F.

\*Up to \$25/unit; labor allowances of up to \$500/unit available for purchase - contact MaxLite representative for details.

Phone: 1-800-555-5629 | Fax: 973-244-7333 | Web: [www.maxlite.com](http://www.maxlite.com) | E-mail: [info@maxlite.com](mailto:info@maxlite.com)

### CC MaxLite PATHMAX™ LED BOLLARDS CLASSIC SERIES DOME TOP

PROJECT NAME: \_\_\_\_\_ CATALOG NUMBER: \_\_\_\_\_  
NOTES: \_\_\_\_\_ FIXTURE SCHEDULE: \_\_\_\_\_



**PRODUCT DESCRIPTION:**

The round Classic LED Bollard is an economical and energy efficient choice for lighting walkways, plazas and other pedestrian areas in commercial and residential applications.

**FEATURES:**

- 120-277V with dimming capability
- Dimming driver standard
- CRI 80
- 10 year warranty
- Up to 50,000 hour L70 lifetime, TM-21 standards @ 25°C

**CONSTRUCTION:**

- Extruded Aluminum Housing
- Clear Polycarbonate lens
- An optional GFCI can be installed and centered 12" from the top of the shaft

**ENVIRONMENT:**

- CSA Group for wet locations
- IP65 rated Optical system

**INSTALLATION:**

- Flush Mounting Base with Vandal Resistant Screws
- Installation Kit with 8" Anchor Bolts Included

**WARRANTY:**

10-year standard warranty with labor allowance\* (further details available at [www.maxlite.com/warranties](http://www.maxlite.com/warranties))

\*Warranty Limitations: Product must be rated for the application per the Product Data Sheet (PDS); operated <16 hrs; in ambient of -29°F to 104°F.

\*Up to \$25/unit; labor allowances of up to \$500/unit available for purchase - contact MaxLite representative for details.

BL	RD	TS	B
BL-100	RD-100	TS-100	B-100
BL-150	RD-150	TS-150	B-150
BL-200	RD-200	TS-200	B-200
BL-250	RD-250	TS-250	B-250
BL-300	RD-300	TS-300	B-300

Phone: 1-800-555-5629 | Fax: 973-244-7333 | Web: [www.maxlite.com](http://www.maxlite.com) | E-mail: [info@maxlite.com](mailto:info@maxlite.com)

### DD MaxLite LED POST TOP SPIDER MOUNT PTSM SERIES

PROJECT NAME: \_\_\_\_\_ CATALOG NUMBER: \_\_\_\_\_  
NOTES: \_\_\_\_\_ FIXTURE SCHEDULE: \_\_\_\_\_



**PRODUCT DESCRIPTION:**

Maxlite's Post Top Spider Mount offers a sleek, stylish area fixture ideal for pathways and parks for general area lighting applications. It comes in 3 different outputs and offers photocell and motion sensor options.

**FEATURES:**

- Die cast aluminum housing with corrosion resistant powder coat paint finish
- 6,800-15,000 lumens
- Choice of 53/78/143W, 126-130 lm/W
- Available in 3000K, 4000K or 5000K
- 120V-277V, 50/60Hz
- UV stabilized vandal resistant polycarbonate lens
- Slip fitter mounting fits 2 3/8" tenon
- Passes ANSI 3G vibration test
- On/Off Motion sensor or 3pin NEMA twist lock photocell receptacle available as options
- cULus certified for WL

**CONSTRUCTION:**

- Extruded Aluminum Housing
- Clear Polycarbonate lens
- An optional GFCI can be installed and centered 12" from the top of the shaft

**ENVIRONMENT:**

- CSA Group for wet locations
- IP65 rated Optical system

**INSTALLATION:**

- Flush Mounting Base with Vandal Resistant Screws
- Installation Kit with 8" Anchor Bolts Included

**WARRANTY:**

5-year standard warranty with labor allowance\* (further details available at [www.maxlite.com/warranties](http://www.maxlite.com/warranties))

\*Product may be eligible for a warranty extension to 10 years, for an additional fee. Contact MaxLite for details.

**DESIGNLIGHTS CONSORTIUM:**

Not all product variations listed on this page are DLC Standard/Premium qualified. Visit [www.designlights.org](http://www.designlights.org) to confirm qualification.

MODEL SELECTION		LI	TS	B		
FAMILY	WATTAGE (NOMINAL)	VOLTAGE	DISTRIBUTION	CCT	FINISH	OPTIONS
PTSM-Post Top Spider Mount	53-250W 78-130W 143-143W	120-277V	TS-type V	30-3000K 40-4000K 50-5000K	DK Bronze Clear Maxlite for additional finishes	MS-Daylight/Motion Sensor (On/Off) RPC-NEMA 3pin receptacle (Photocell sold separately)

DLC OPL					
MODEL NUMBER	PRODUCT ID	MODEL NUMBER	PRODUCT ID	MODEL NUMBER	PRODUCT ID
PTSM53UT5-30B	PLR0P9HRCM	PTSM143UT5-30B	PL1VYAR1PDU	PTSM143UT5-30B	PL1VYAR1PDU
PTSM53UT5-40B	PLR0E09GCC	PTSM143UT5-40B	PL26099C3MJ	PTSM143UT5-40B	PL26099C3MJ
PTSM53UT5-50B	PLH0P9E5LAP	PTSM143UT5-50B	PL66M0R0R2J	PTSM143UT5-50B	PL66M0R0R2J

ACCESSORIES		
MODEL # (OPTION CODE)	DESCRIPTION	ACCESSORY IMAGE
TREBZ (101877)	Tenon Reducer, 3" to 2-3/8", Bronze	

Phone: 1-800-555-5629 | Fax: 973-244-7333 | Web: [www.maxlite.com](http://www.maxlite.com) | E-mail: [info@maxlite.com](mailto:info@maxlite.com)



CALL UTILITY NOTIFICATION  
CENTER OF COLORADO  
1-800-922-1987  
CALL 2-BUSINESS DAYS IN ADVANCE  
BEFORE YOU DIG, GRADE, OR EXCAVATE  
FOR THE MARKING OF UNDERGROUND  
MEMBER UTILITIES



10-24-22

# THE CITIZEN ON CONSTITUTION SITE DEVELOPMENT PLAN

A PORTION OF THE NORTHEAST QUARTER OF SECTION 5, TOWNSHIP 14 SOUTH, RANGE 65 WEST OF THE 6TH P.M.,  
CITY OF COLORADO SPRINGS, COUNTY OF EL PASO, STATE OF COLORADO

**WL1**  
PROGRESS LIGHTING

---

Small Wall Lantern

Wall mounted • Wet location listed PROGRESS LED

---

**Description:**

The one-light wall lantern from the Belle LED Collection features neutral undertones and a cage reminiscent of industrial spaces that is ideal for both interior and exterior settings. This fixture is available in convertible ceiling/pendant and wall mount options. Small LED wall lantern. Antique Bronze finish.

**Specifications:**

- Antique Bronze (20) (painted)
- Aluminum Construction
- Etched glass diffuser
- LED Module is replaceable (part # 93554049)
- Nautical undertones.
- Cage reminiscent of industrial spaces.
- Ideal for both interior and exterior spaces.
- 603 lumens 69.2 lumens/watt per module (source)
- 3000K color temperature, 90a CRI
- Dimmable to 10% brightness (See Dimming Notes)
- Back plate covers a standard 4" octagonal recessed outlet box
- Mounting strap for outlet box included
- 6" of wire supplied
- ENERGY STAR® qualified
- Meets California Title 24 high efficiency requirements for outdoor use only

**Performance:**

Number of Modules	1
Input Power	9w
Input Voltage	120 V
Input Frequency	60 Hz
Lumens (LPW - Source)	623,692 (LM-82)
Lumens (LPW - Delivered)	401,950.9 (LM-79)
CCT	3000 K
CRI	90 CRI
Life (hours)	60,000 (L70TM-21)
FCC	Meets FCC Title 47, Part 15 Class B
Max. Start Temp	30 °C
Max. Operating Temp	30 °C
Warranty	5 year warranty
Labels	iC-Max Wet location listed ENERGY STAR® qualified Meets California Title 24 high efficiency requirements for outdoor use only

**P5676-2030K9**

**Images:**

**Dimensions:**

Width: 5-1/2"  
Depth: 7-3/8"  
Height: 10-5/8"  
H/CTR: 3"

Glass  
Width: 4-3/8"  
Length: 4-3/8"  
Height: 8-3/4"

---

For more information visit our website: [www.progresslighting.com](http://www.progresslighting.com)

Progress Lighting • 701 Millennium Boulevard • Greenville, SC 29607

Submitted by InSolution Products  
jin.rago@insolutionproducts.com M-317-372-4947  
All Rights Reserved

Page 1 of 2  
02/26/2021

Submitted by InSolution Products  
jin.rago@insolutionproducts.com M-317-372-4947  
All Rights Reserved

**WL2**  
MaxLite  
A NEW WAVE OF LIGHT

---

**WALLMAX™ LARGE CUTOFF  
WPCL SERIES**

Built-in level helps ensure straight mounting

CCT Selectable switch  
Choose between 3K, 4K or 5K

**PRODUCT DESCRIPTION:**

WallMax Cutoff Wall Packs are a full cutoff architectural wall mounted fixture ideal for commercial offices, schools and other public administrative buildings. It offers a wide range of outputs and options including CCT selectability so the customer can choose between 3000K, 4000K and 5000K color temperatures.

---

**FEATURES:**

- 120V-277V, 347V-480V available
- 0-10V dimming
- Color Selectable between 3000K, 4000K or 5000K

**CONTROL OPTIONS:**

- Photocontrol (120V-277V)
- Dimmable motion sensor with photocontrol (requires RMRC-100 remote control to program)

**INSTALLATION:**

- 1/2" threaded conduit hole in the center of the back housing
- 5 1/2" threaded conduit holes, one on each side of the back housing and 2 on the top of the housing
- Built-in level helps ensure straight mounting

**CONSTRUCTION:**

Die Cast Aluminum housing with polycarbonate LED lens

**WARRANTY:**

10-year standard warranty with labor allowance\* (further details available at [www.maxlite.com/warranty](http://www.maxlite.com/warranty))

\*Warranty Limitations: Product must be rated for the application per the Product Data Sheet (PDS), operated ≤16 hrs, in ambient of -29°F to 104°F.  
\*Up to \$25/unit; labor allowances of up to \$500/unit available for purchase – contact MaxLite representative for details.

---

**ORDER STRUCTURE**

FAMILY	WATTAGE	VOLTAGE	DISTRIBUTION	CCT	FINISH	OPTIONS*
WPCLa WallMax Cutoff	40w <40W 100w <100W	120-277V 120-277V	T4a Type IV	Cs CCT Selectable (3K, 4K, 5K)	Ba Bronze	EM0a Battery Backup, 0°C, 120V or 277V only EM0b Battery Backup, -20°C, 120V or 277V only MS* PIR Daylight/Motion Sensor PC* 120-277V Button Photocontrol

NOTES:  
\*EM and MS can be selected together  
\*MS includes PC function, internal for 120-277V, external for 347-480V, requires F8IR-100 remote control to program (at least one per job location)

---

**ACCESSORY**

ORDER CODE	MODEL NUMBER	DESCRIPTION	IMAGE
104799	RMRC-100	REMOTE CONTROL FOR SHARKWARD PRODUCTS, RANGE 50FT INDOORS, NO BACKLIGHT	

---

Phone: 1-800-555-5629 | Fax: 973-244-7333 | Web: [www.maxlite.com](http://www.maxlite.com) | E-mail: [info@maxlite.com](mailto:info@maxlite.com)

PLM391  
Rev: 09/11/20  
Page 1 of 6  
02/26/2021

Submitted by InSolution Products  
jin.rago@insolutionproducts.com M-317-372-4947  
All Rights Reserved

**WL3**  
COMPACT LED LITERAK

DATE: \_\_\_\_\_ LOCATION: \_\_\_\_\_

TYPE: \_\_\_\_\_ PROJECT: \_\_\_\_\_

CATALOG #: \_\_\_\_\_

---

**FEATURES**

- Compact LNC LED is designed for perimeter illumination and available in 3 lumen packages for safety, security and identity
- 3000K, 4000K, 5000K and Amber color temperatures
- Up to 4" spacing to mounting height ratio means fewer fixtures to install
- Acrylic diffuser included! Use for applications near entrances or locations where reduced brightness is desired. (Maximum spacing with diffuser 30")
- Die-cast aluminum housing with decorative Laredo styling
- Full cut-off neighbor friendly
- Listed to UL1598 for use in wet locations

RELATED PRODUCTS

[LNC2](#) [LNC3](#) [LNC4](#)

---

**SPECIFICATIONS**

**CONSTRUCTION**

- Decorative die-cast aluminum housing and door
- Rugged design protects internal components and provides excellent thermal management for long life
- Powder paint finishes provide lasting appearance in outdoor environments
- Full cut-off distribution; Ambient diffuser included, use for applications near entrances or locations where reduced brightness is desired

**OPTICS**

- Drivers are 120-277V, 50/60Hz Type II, III and Type IV lenses provide wide lateral spread
- 3000K - 80 CRI, 4000K - 70 CRI, and 5000K - 70 CRI CCT nominal
- Drivers have greater than .90 power factor and less than 20% Total Harmonic Distortion

**INSTALLATION**

- Quick mount adapter provides quick installation, designed for recessed box 4" square junction box

**ELECTRICAL**

- 60,000 hours minimum LED life at L96 rating per IESNA TM-214
- Minimum operating temperature is -40°C/-40°F
- 0-10V dimming 120-277V only
- LNC5L - 5 LEDs, Types II, III or IV available, see page 2 for electrical details
- LNC7L - 7 LEDs, Type II, III or IV available, see page 2 for electrical details
- LNC9L - 9 LEDs, Types II, III or IV available, see page 2 for electrical details

**CONTROLS**

- Photocontrol option is available to provide dusk-to-dawn control for additional energy savings

---

**KEY DATA**

Lumen Range	800-2100
Wattage Range	13-22
Efficacy Range (LPW)	64-95
Fixture Projected Life (Hours)	L96-60K
Weights lbs. (kg)	9.6 (24.5)

---

Page: 03 Rev: 01/20/21  
LNCLED-SPCC

© 2021 Hubbell Outdoor Lighting, a division of Hubbell Lighting, Inc. Specifications subject to change without notice.  
701 Millennium Blvd • Greenville, SC 29607 | Tel: 864.678.0000 | Website: [www.hubbelloutdoor.com](http://www.hubbelloutdoor.com)

NO.	REVISION	BY	DATE	APPR.
1			9/12/2021	MCH
2			10/24/2021	MCH

3888 SW Summerfield Drive, Suite A  
Greenville, SC 29607  
8655 Colquhoun Blvd, West Side, 102  
Overland Park, Kansas 66210  
Telephone: (785) 233-3252  
Email: [lsand@lsand.com](mailto:lsand@lsand.com)  
LSA PROJECT NO: 2207004

LS&A

Lalimer Sumners  
& Associates, P.A.  
CONSULTING ENGINEERS

DESIGNED BY: DBE  
DRAWN BY: CAD  
CHECKED BY: DBE  
DATE: 04/18/2022

THE CITIZEN ON CONSTITUTION  
EL PASO COUNTY, COLORADO  
SITE DEVELOPMENT PLAN  
SITE PLAN - CUT SHEETS

PRELIMINARY

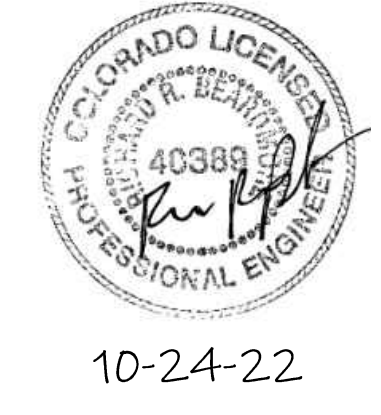
FOR REVIEW ONLY  
NOT FOR CONSTRUCTION

**Kimley-Horn**  
Kimley-Horn and Associates, Inc.

PROJECT NO.  
096481004

SHEET

E0-04



**811** Know what's below.  
Call before you dig.

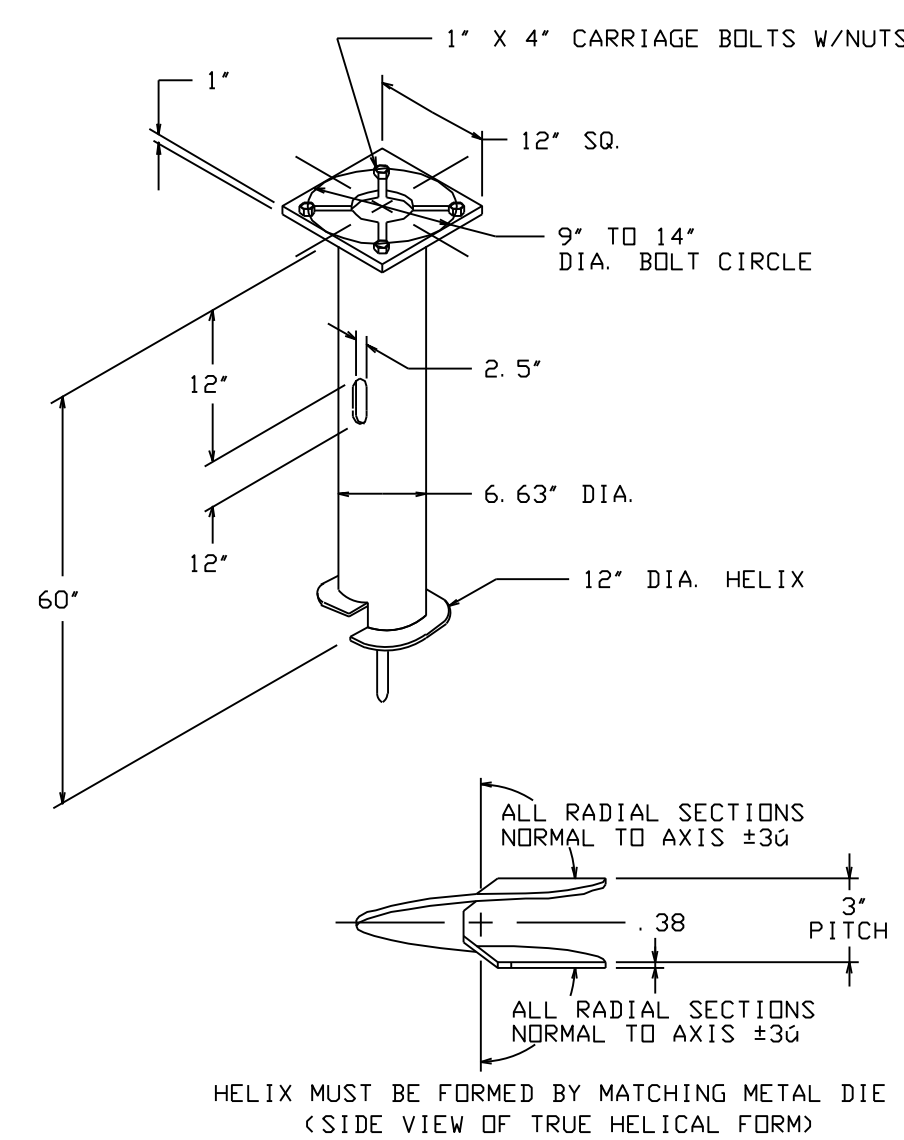
---

CALL UTILITY NOTIFICATION  
CENTER OF COLORADO  
1-800-922-1987

CALL 2-BUSINESS DAYS IN ADVANCE  
BEFORE YOU DIG, GRADE, OR EXCAVATE  
FOR THE MARKING OF UNDERGROUND  
MEMBER UTILITIES

# THE CITIZEN ON CONSTITUTION SITE DEVELOPMENT PLAN

A PORTION OF THE NORTHEAST QUARTER OF SECTION 5, TOWNSHIP 14 SOUTH, RANGE 65 WEST OF THE 6TH P.M.,  
CITY OF COLORADO SPRINGS, COUNTY OF EL PASO, STATE OF COLORADO



- NOTES-**
1. FINISH: HOT DIP GALVANIZE PER ASTM-A553 (LATEST REVISION)
  2. BASEPLATE TO BE PERPENDICULAR TO SHAFT AXIS (±10°) AND HOLE CENTERLINE CONCENTRIC (±.188) TO SHAFT AXIS
  3. STENCIL MIN. 1/2" IN. LETTERS MANUFACTURER'S NUMBER AFTER GALVANIZING
  4. PILOT POINT AND SHAFT AXES TO BE CONCENTRIC (±.125 FIM) AND IN LINE (±20)
  5. FLAME CUT SLOTT PERPENDICULAR TO THE BASEPLATE. PREHEAT, TUMBLEBLAST, HANDGRIND, AND CLEAN BASEPLATE, HELIX, AND PILOT POINT ON ALL WELDED AREAS
  6. FLAMECUT IRREGULARITIES PERMISSIBLE (1) VALLEYS NOT TO EXCEED 3/32 IN. BELOW NOMINAL SURFACE LEVEL, (2) PEAKS OR POSITIVE IRREGULARITIES NOT TO EXCEED 1/32 IN. ABOVE NOMINAL SURFACE LEVEL OR INTERSECTIONS OF NOMINAL SURFACES
  7. MANUFACTURER TO HAVE IN EFFECT INDUSTRY RECOGNIZED WRITTEN QUALITY CONTROL FOR ALL MATERIALS AND MANUFACTURING PROCESSES. ALL MATERIAL IS TO BE NEW, UNUSED AND MILL TRACEABLE MEETING THE FOLLOWING SPECIFICATIONS:
  8. BASEPLATE: ASTM A36 (LATEST REVISION) HOT ROLLED STEEL PLATE, (CONFORM TO AASHTO TECH. BUL. #270)
  9. SHAFT: STEEL PIPE PILES, SEAMLESS OR STRAIGHT WELDED, GRADE-B PER ASTM A550 - ALT. MATERIAL: STEEL PIPE TYPE E OR S, GRADE-B PER ASTM A53
  10. HELIX: ASTM A635 (LATEST REVISION) HOT ROLLED STEEL
  11. PILOT POINT: ASTM A575 (LATEST REVISION) STEEL BAR
  12. BOLTS: CARR BOLT PER ANSI B-18.2.1, SAE J429 GRADE-5
  13. BASEPLATE IS PERMANENTLY STAMPED WITH MANUFACTURER'S IDENTIFICATION "ABC" IN 1/2" LETTERS AND DATE CODE IN 1/4" LETTERS.

## 1 LIGHT POLE FOUNDATION NO SCALE CAT. NO. C11242NG4VP

### CA MaxLite A NEW WAVE OF LIGHT

#### DISC LIGHT CCT SELECTABLE SERIES



**PRODUCT DESCRIPTION:**  
The LED Disc Light's versatility as a flush mount fixture and surface downlight saves electrical contractors time, labor and space by making it possible to install custom downlighting without a recessed can. This luminaire is wet location rated, CCT selectable (2700K/3000K/4000K/5000K), T10 and ETL listed as both a retrofit kit and a luminaire. The slim-profile Disc Light is available in two sizes, and mounts directly to a 3/4" x 1/2" housing and standard 4" J-Box. In other words, more options and fewer SKUs to stock on distributor shelves and job sites!

Providing exceptional performance in general lighting applications for homes, hotels, motels and commercial properties, this series can also serve as a cost-effective temporary lighting solution. The luminaire is the ideal choice for adding energy-efficient and long-lasting downlighting to bathrooms, showers, spas and other indoor wet, damp, dry locations environment.



- FEATURES:**
- E26 screw-base connector included
  - Listed as a fixture and a retrofit
  - Tested and listed with Lutron
- DIMMING:**
- 120V option available with 120V triac dimming (10%)
- MOUNTING:**
- DL6 model fits 3/4" housing and standard 4" J-Box
  - DL7 model fits 3/4" x 1/2" housing and standard 4" J-Box
  - E26 screw-base connector included
- CONSTRUCTION:**
- Durable thermoplastic housing
  - Plastic lens
- LISTINGS:**
- ETL listed for Wet Locations
  - ENERGY STAR Certified
  - T20 Listed
  - Supports T24 Part 6 high efficacy lighting requirements
  - JAB Listed for CCTs ≥ 4000K
- WARRANTY:**  
5-year standard warranty (further details available at [www.maxlite.com/warranties](http://www.maxlite.com/warranties)) Product may be eligible for a warranty extension to 10 years, for an additional fee. Contact MaxLite for details.

**ORDERING STRUCTURE**

FAMILY	SIZE	WATTAGE (NOMINAL)	CRI	CCT	FINISH
DL= Disc Light	6" O.D. 5.20"	69w-07W	90-90	CS= 2700K/3000K/4000K/5000K CCT Selectable	White-White
	7" O.D. 7.33"	11w-11W			

**ORDER CODE**

ORDER CODE	MODEL NUMBER
103864	DL6079CSWH
103873	DL7119CSWH

**COMPATIBLE DIMMERS**

DIMMER BRAND	MODELS
LUTRON	DVLU-600P, DVLEVL-300P, DV4-600P, MAQL-153M, SCL-153P, DVCL-153P, MAELV-600, CTCL-153PDH-WH, TGCL-153PH-WH, DWLCL-153PH-WH

Phone: 1-800-555-5659 | Fax: 973-944-7333 | Web: [www.maxlite.com](http://www.maxlite.com) | E-mail: [info@maxlite.com](mailto:info@maxlite.com)  
Data subject to change without notice. © Copyright 2020, MaxLite, Inc. All Rights Reserved.  
PLM #588  
Revised: 12/21/20  
MaxLite  
Submitted by InSolutio Products  
[j.l.m.rago@insolutio.com](mailto:j.l.m.rago@insolutio.com) P#317-372-4947  
Page 1 of 2  
02/26/2021  
All Rights Reserved

**Autobahn Series ATB0  
Roadway Lighting**

**PRODUCT OVERVIEW**

**Features:** SL2 (TYPE 2), SL3 (TYPE IV)

**APPLICATIONS:**  
Roadways  
Off ramps  
Residential streets  
Parking lots

**DIMENSIONS**

Effective Projected Area (EPA): The EPA for the ATB0 is 0.76 sq. ft. Approx. Wt. = 14 lbs.

**STANDARDS**

DesignLights Consortium® (DLC) Premium qualified product. Not all versions of this product may be DLC Premium qualified. Please check the DLC Qualified Products List at [www.designlights.org/QPL](http://www.designlights.org/QPL) to confirm which versions are qualified.

Color temperatures of ≤ 3000K must be specified for International Dark-Sky Association certification.

Rated for -40° to 40°C ambient  
CSA Certified to U.S. and Canadian standards.  
Complies with ANSI: C136.2, C136.10, C136.14, C136.31, C136.15, C136.37

**BUY AMERICAN** — Product with the BAA option is assembled in the USA and meets the Buy America(n) government procurement requirements under FAR, DFARS and DOT. Please refer to [www.acuitybrands.com/buy-american](http://www.acuitybrands.com/buy-american) for additional information.

Note: Specifications subject to change without notice. Actual performance may differ as a result of end-user environment and application.

© 2014-2022 Acuity Brands Lighting, Inc. ATB0 01/22/22

**AEI American Electric Lighting**

**811** Know what's below.  
Call before you dig.

CALL UTILITY NOTIFICATION  
CENTER OF COLORADO  
1-800-922-1987  
CALL 2-BUSINESS DAYS IN ADVANCE  
BEFORE YOU DIG, GRADE, OR EXCAVATE  
FOR THE MARKING OF UNDERGROUND  
MEMBER UTILITIES



10-24-22

NO.	REVISION	BY	DATE	APPR.
1			9/12/2022	MCH
2			10/24/2022	MCH

3888 SW Summerfield Drive, Suite A  
Overland Park, Kansas 66210  
8656 Colshire Blvd, Suite 102  
Overland Park, Kansas 66210  
Telephone: (785) 233-3252  
Email: [isa@isausa.com](mailto:isa@isausa.com)  
LSC PROJECT NO: 2207004

**ISA**  
Lalimer Summers  
& Associates, P.A.  
CONSULTING ENGINEERS

DESIGNED BY: DBE  
DRAWN BY: CAD  
CHECKED BY: DBE  
DATE: 04/18/2022

THE CITIZEN ON CONSTITUTION  
EL PASO COUNTY, COLORADO  
SITE DEVELOPMENT PLAN  
SITE PLAN - CUT SHEETS

PRELIMINARY  
FOR REVIEW ONLY  
NOT FOR CONSTRUCTION  
**Kimley-Horn**  
Kimley-Horn and Associates, Inc.

PROJECT NO.  
096481004  
SHEET  
**E0-05**