



A Division of Larkspur Outlet, LLC

**(303) 396-3957**

17 Commerce St.  
Colorado Springs, CO 80907

**PROJECT:**

30x50x10  
PAVILION

**PROJECT NAME:**

BLACK FOREST  
MEADOWS ALPACA

**PROJECT ADDRESS:**

17104 F GOSHAWK RD  
COLORADO SPRINGS, CO 80908

**TITLE:**

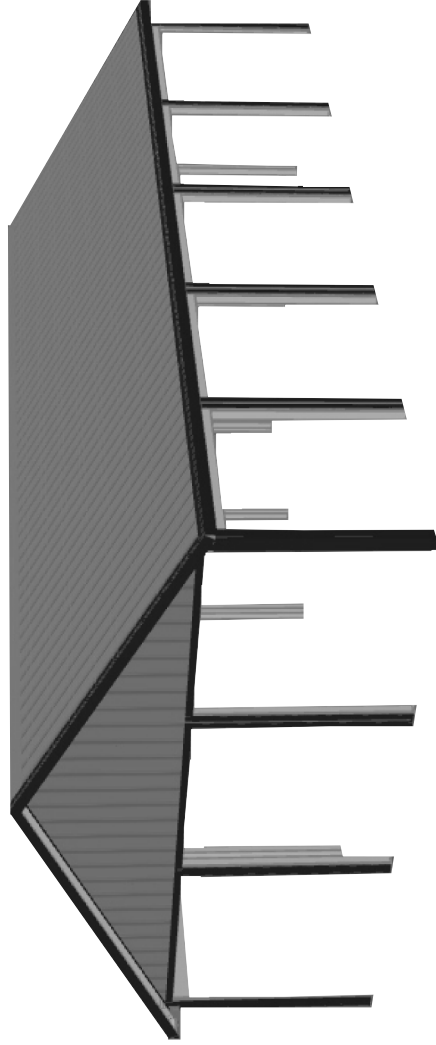
**TITLE SHEET**

**SCALE:**

NTS

**SHEET:**

**01**



GIVEN:  
Wind: 130 MPH  
Snow: 40 PSF  
Book 2015 IRC  
Min. Soil Capacity: 1,500 PSF



A Division of Larkspur Outlet, LLC

**(303) 396-3957**

17 Commerce St.  
Colorado Springs, CO 80907

**PROJECT:**

30x50x10  
PAVILION

**PROJECT NAME:**

BLACK FOREST  
MEADOWS ALPACA

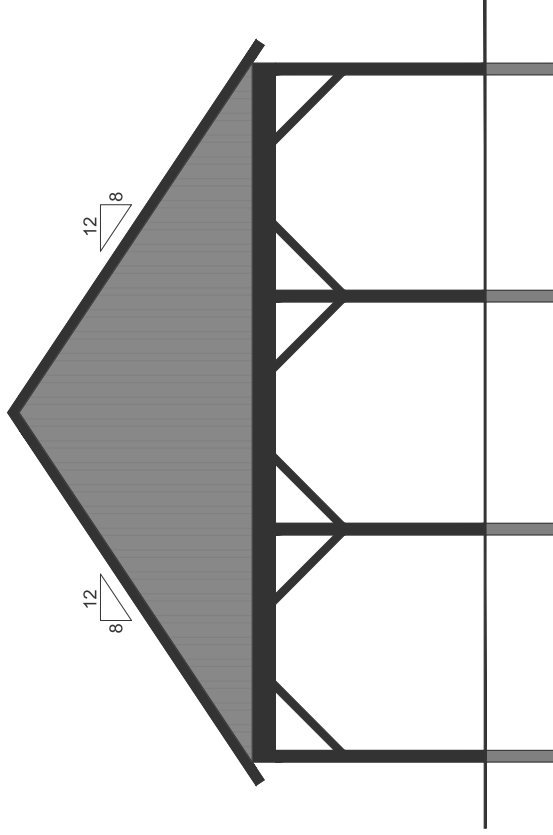
**PROJECT ADDRESS:**

17304 E GOSHAWK RD.  
COLORADO SPRINGS CO 80908

TITLE:



FRONT & BACK ELEVATION  
SCALE: 3/16"=1'-0"



SCALE: 3/16"=1'-0"

SHEET: **02**



A Division of Larkspur Outlet, LLC

**(303) 396-3957**

17 Commerce St.  
Colorado Springs, CO 80907

**PROJECT:**

30x50x10  
PAVILION

**PROJECT NAME:**

BLACK FOREST  
MEADOWS ALPACA

**PROJECT ADDRESS:**

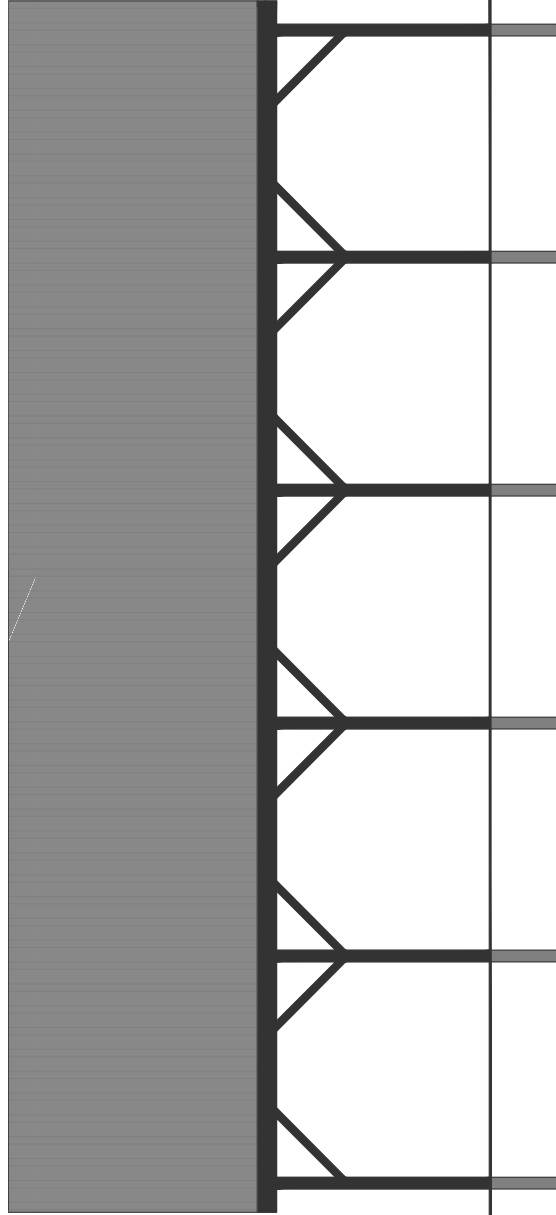
17104 E GOSHAWK RD.  
COLORADO SPRINGS, CO 80908

**TITLE:**

**RIGHT & LEFT  
ELEVATION**

**SCALE:** 3/16"=1'-0"

**SHEET:** 03



RIGHT & LEFT ELEVATION

SCALE: 3/16"=1'-0"





A Division of Larkspur Outlet, LLC

**(303) 396-3957**

17 Commerce St.  
Colorado Springs, CO 80907

**PROJECT:**

30x50x10  
PAVILION

**PROJECT NAME:**

BLACK FOREST  
MEADOWS ALPACA

**PROJECT ADDRESS:**

17104 E GOSHAWK RD  
COLORADO SPRINGS, CO 80908



**TITLE:**

**POLES HOLES  
DIAGRAM**

**SCALE:** 1/8"=1'-0"

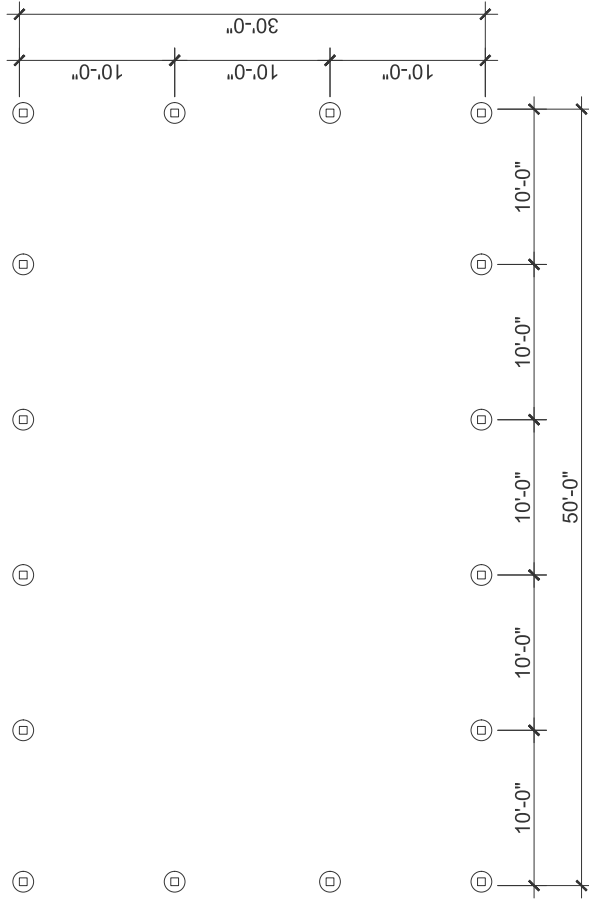
**SHEET:** 04

**RIGHT**

**FRONT**

**BACK**

**LEFT**



POLES HOLES DIAGRAM

SCALE: 1/8"=1'-0"



A Division of Larkspur Outlet, LLC

**(303) 396-3957**

17 Commerce St.  
Colorado Springs, CO 80907

**PROJECT:**

30x50x10  
PAVILION

**PROJECT NAME:**

BLACK FOREST  
MEADOWS ALPACA

**PROJECT ADDRESS:**

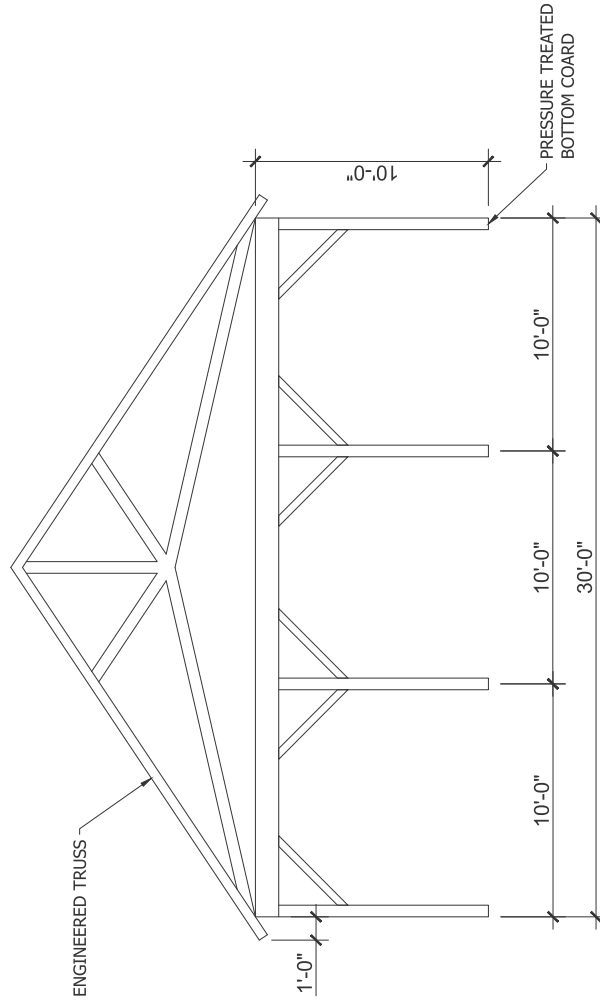
17104 E GOSHAWK RD  
COLORADO SPRINGS, CO 80908

**TITLE:**

**FRONT & BACK  
FRAMING PLAN**

**SCALE:** 3/16"=1'-0"

**SHEET:** 05



FRONT & BACK FRAMING PLAN  
SCALE: 3/16"=1'-0"



A Division of Larkspur Outlet, LLC

(303) 396-3957

17 Commerce St.  
Colorado Springs, CO 80907

**PROJECT:**

30x50x10  
PAVILION

**PROJECT NAME:**

BLACK FOREST  
MEADOWS ALPACA

**PROJECT ADDRESS:**

17104 E GOSHAWK RD  
COLORADO SPRINGS, CO 80908

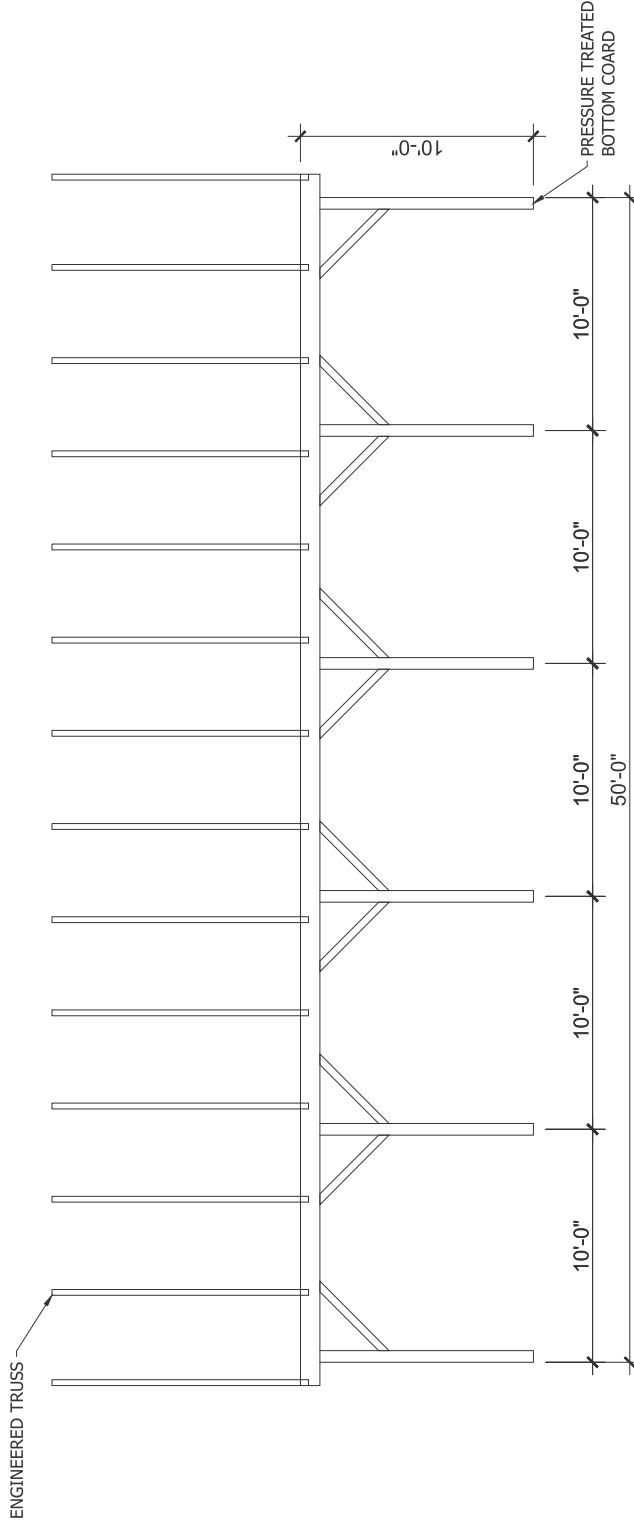


**TITLE:**

**LEFT & RIGHT  
FRAMING PLAN**

**SCALE:** 3/16"=1'-0"

**SHEET:** 06



RIGHT & LEFT WALL FRAME  
SCALE: 3/16"=1'-0"



A Division of Larkspur Outlet, LLC

**(303) 396-3957**

17 Commerce St.  
Colorado Springs, CO 80907

**PROJECT:**

30x50x10  
PAVILION

**PROJECT NAME:**

BLACK FOREST  
MEADOWS ALPACA

**PROJECT ADDRESS:**

17104 E GOSHAWK RD.  
COLORADO SPRINGS, CO 80908

**TITLE:**

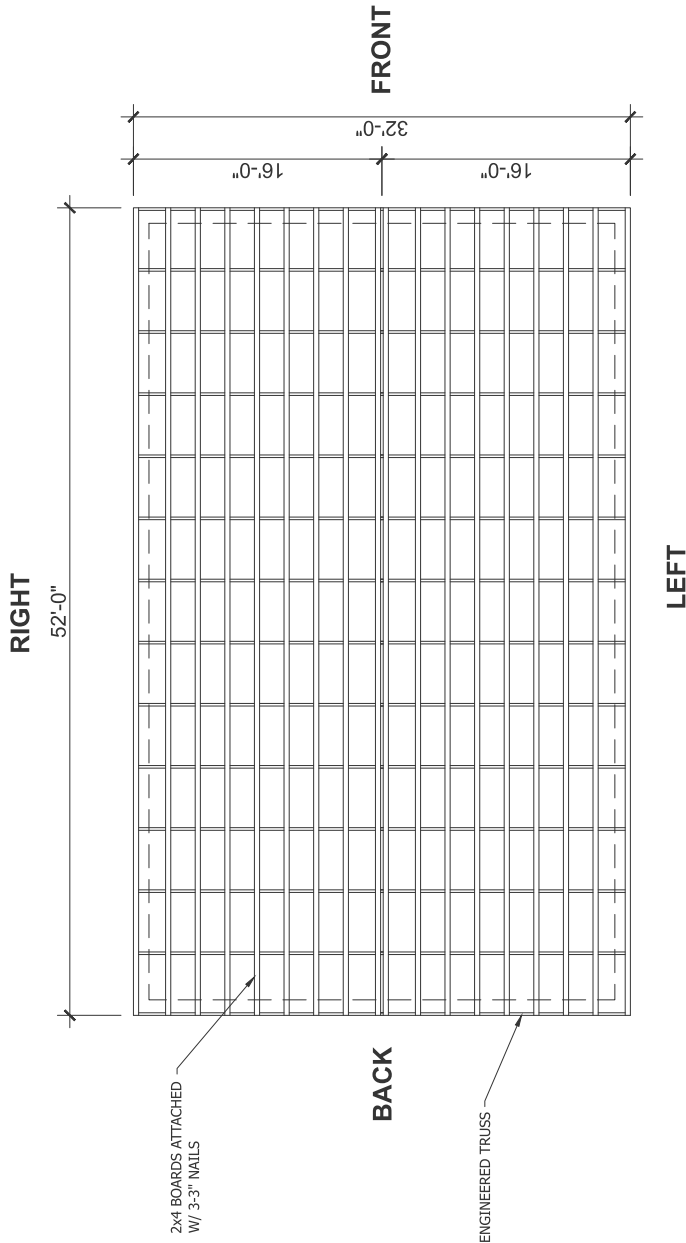
**ROOF PLAN**

**SCALE:**

1/8"=1'-0"

**SHEET:**

**07**



ROOF PLAN  
SCALE: 1/8"=1'-0"



A Division of Larkspur Outlet, LLC

**(303) 396-3957**

17 Commerce St.  
Colorado Springs, CO 80907

**PROJECT:**

30x50x10  
PAVILION

**PROJECT NAME:**

BLACK FOREST  
MEADOWS ALPACA

**PROJECT ADDRESS:**

17104 E GOSHAWK RD.  
COLORADO SPRINGS, CO 80908

**TITLE:**

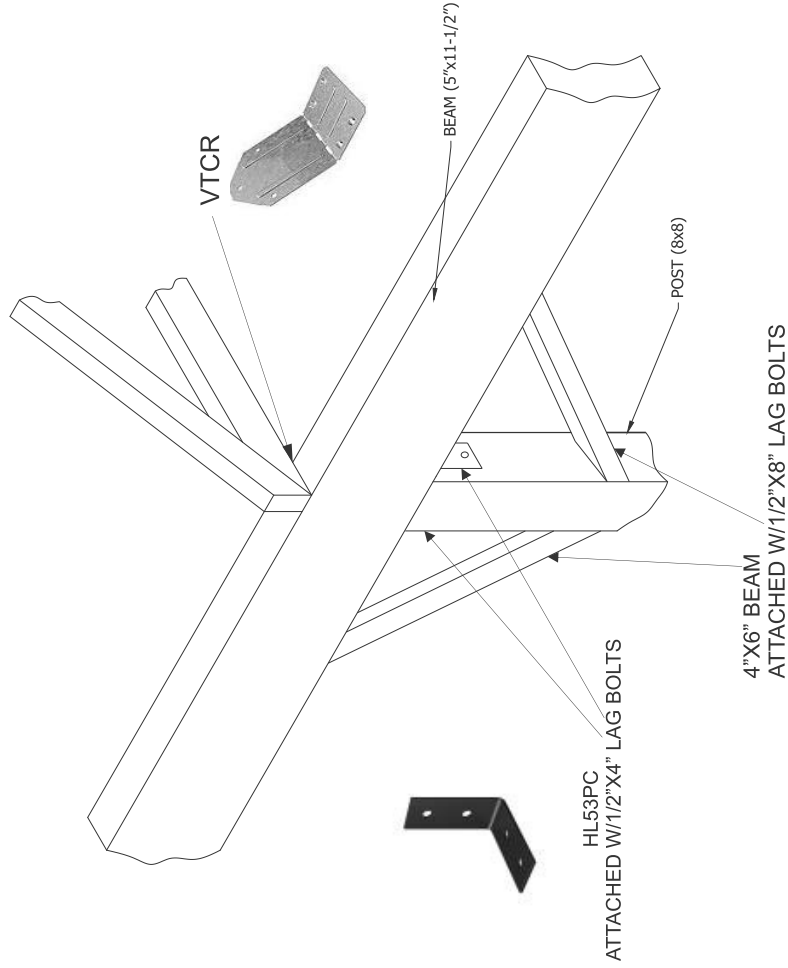
**TRUSSES  
CONNECTIONS**

SCALE:

NTS

SHEET:

**08**



TRUSSES CONNECTIONS  
SCALE: NTS





A Division of Larkspur Outlet, LLC

**(303) 396-3957**

17 Commerce St.  
Colorado Springs, CO 80907

**PROJECT:**

30x50x10  
PAVILION

**PROJECT NAME:**

BLACK FOREST  
MEADOWS ALPACA

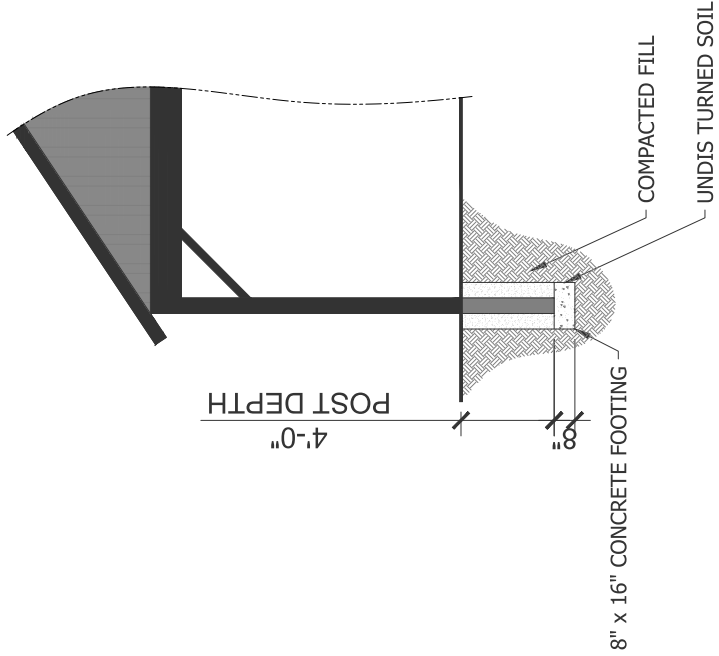
**PROJECT ADDRESS:**

17104 E GOSHAWK RD.  
COLORADO SPRINGS, CO 80908



**TITLE:**

**POLES SECTION**



SCALE: 1/4"=1'-0"

SHEET: **09**