

**STORMWATER MANAGEMENT PLAN**  
**FOR LORSON BLVD CONSTRUCTION**  
**FROM JCC TO STINGRAY LN.**

**CDR 18-006**

Stormwater Permit # \_\_\_\_\_

Certification # \_\_\_\_\_

**Owner/Developer:**

Lorson, LLC  
212 N. Wahsatch Avenue, Suite 301  
Colorado Springs, Colorado 80903  
Contact: Jeff Mark  
(719) 635-3200

**SWMP Administrator:**

TNT Landscaping, Inc  
Trevor Terrill  
4795 Mark Dabling Rd.  
Colorado Springs, Colorado 80918  
(719) 659-5619

**Engineers:**

Core Engineering Group, LLC  
15004 1<sup>st</sup> Avenue S.  
Burnsville, MN 55306  
Contact: Richard Schindler, P.E.  
(719) 570-1100

**Contractor:**

Name:  
Address:  
Contact:  
Phone #:

**SWMP Location**

On-site (copy) at Lorson Blvd/Old Glory Dr.  
and Lorson, LLC (original)

---

## TABLE OF CONTENTS

---

### TABLE OF CONTENTS

#### SWMP REPORT REVISION LOG

1.0 INTRODUCTION	1
2.0 SEQUENCE OF MAJOR ACTIVITIES	2
3.0 PRE-DEVELOPMENT CONDITIONS	3
4.0 DEVELOPED CONDITIONS	4
5.0 POTENTIAL SOURCES OF POLLUTION AND CONTROL STRATEGIES	4
6.0 BEST MANAGEMENT PRACTICES	7
7.0 SPILL PREVENTION PLAN	11
8.0 INSPECTIONS	14
9.0 RECORDS MANAGEMENT	14
10.0 FINAL STABILIZATION	15

#### **APPENDIX A:** VICINITY MAP

#### **APPENDIX B:** EXHIBIT 1: LORSON BLVD. FINAL GRADING AND EROSION CONTROL PLANS, DATED AUGUST 30, 2018 BY CORE ENGINEERING GROUP

#### **APPENDIX C:** STORMWATER INSPECTION REPORTS **(BY REFERENCE ONLY NOT ATTACHED)**

#### **APPENDIX D:** SPILL REPORT FORM

#### **APPENDIX E:** RECORD OF STABILIZATION AND CONSTRUCTION ACTIVITY DATES

#### **APPENDIX F:** FEDERAL, STATE, OR LOCAL STORM WATER OR OTHER ENVIRONMENTAL INSPECTOR SITE VISIT LOG

#### **APPENDIX G:** GENERAL PERMIT AND APPLICATION

## SWMP REPORT REVISION LOG

REV. #	DATE:	BY:	COMMENTS	Initials
1.				
2.				
3.				
4.				
5.				

---

## 1.0 INTRODUCTION

---

**Lorson Boulevard Construction** consists of 2400 feet of street construction and expansion of existing Pond C1 for a total site area of 10.5 acres. The site is currently farm and ranching land that has been used as haul roads in the past. There is no 100-year floodplain within the project limits.

Lorson, LLC is the overall developer and will construct major infrastructure (grading, roads, utilities, etc.) to serve the site. This Stormwater Management Plan (SWMP) will only cover construction activities that are provided as the overall developer. As the Lorson Ranch development progresses, this SWMP plan may need to be updated to reflect the revised scope of infrastructure.

The major infrastructure for **Lorson Boulevard Construction** includes but is not limited to construction of a collector street, onsite utilities, and grading for the street construction. Detention/Water quality for this project is located in an existing on-site pond named Pond C1. Existing Pond C1 has been designed to treat and detain stormwater runoff prior to discharging into the East Tributary of Jimmy Camp Creek.

The site boundaries for **Lorson Boulevard Construction** is: Jimmy Camp Creek on the west, Stingray Lane on the east, existing residential subdivisions on the north. The construction area is a corridor approximately 100 feet wide and 2400 feet long.

---

## 2.0 SEQUENCE OF MAJOR ACTIVITIES – Exhibit 1 Construction

---

The anticipated date for beginning construction activities is October, 2018 and will be complete in May, 2019. Implementation of the storm water management plan should be in place prior to initiating construction activities. The anticipated sequence of construction is as follows:

1. Installation of perimeter erosion control measures as shown on Exhibit 1.
2. Site Clearing/Grubbing and topsoil stockpiling.
3. Expand Pond C1 generating fill material for street construction
4. Complete final grading of street ROW's
5. Construct underground water/storm.
6. Construct curb/gutter and pavement.
7. Final stabilize areas outside of ROW.
8. Construct gas/electric/cable/phone in the ROW areas.
9. Final stabilize ROW.
10. Final erosion control measures as areas are completed

---

## 3.0 PRE-DEVELOPMENT CONDITIONS

---

According to the current FEMA Flood Insurance Rate Map (FIRM) number 08041CO957 F, this site is not located within the 100-year floodplain. See Appendix A.

### Existing Vegetation:

The northern portion of site is currently undeveloped and has been used as a farm field (alfalfa) and a haul road for the past several years. Ground cover is estimated at 75% coverage.

Existing Slopes:

Existing slopes are around 1-2% that direct runoff southerly to the East Tributary of Jimmy Camp Creek. Detention Pond C1 was graded in 2010 next to the East Tributary of Jimmy Camp Creek and collects all of the runoff prior to discharge.

Existing Drainage Patterns:

Pre-development drainage patterns include runoff flowing southerly to the East Tributary of Jimmy Camp Creek. In 2010 Pond C1 was constructed which collects and treats runoff from Lorson Boulevard and residential areas north of Lorson Boulevard prior to discharge to the East Tributary. The drainage patterns will remain the same after construction.

Existing Soil Types:

The following table summarizes the characteristics of the soil type.

**Table 3.1: SCS Soils Survey**

Soil	Hydro. Group	Shrink/Swell Potential	Permeability	Surface Runoff Potential	Erosion Hazard
10-Blendon Sandy Loam	B	Moderate	Moderate	Slow to Medium	Moderate
52-Manzanola Clay Loam	C	High	Slow	Medium	Moderate

The existing soil types have a moderate potential for erosion which can be mitigated by employing appropriate downstream construction BMP's before/during/after construction to limit potential impacts to stormwater discharges. The potential impacts are stormwater discharge into the existing storm sewer system, proposed storm sewer system, and the discharge into existing Pond C1. Sediment should not be allowed to enter these existing and proposed facilities. Based upon the location of the different soil types and type of construction, the contractor shall employ the most appropriate method of erosion control measures based on the El Paso County/City of Colorado Springs Drainage Criteria Manual, Vol. 2 or as directed by the SWMP administrator or his representative.

More detailed soils information can be found in the SCS soils survey for El Paso County. Manzanola clay loam according to the Soil Survey of El Paso County Area.

---

#### **4.0 DEVELOPED CONDITIONS**

---

The overall drainage concept for **Lorson Boulevard Construction** is to direct runoff to new inlets at a low point in the street. The new inlets drain south into Existing Pond C1 for Stormwater Quality and detention prior to discharge into The East Tributary of Jimmy Camp Creek.

Proper erosion protection will be installed so no sediment enters the storm sewer system or is discharged offsite.

Construction Site Estimates:

- Project Site: 10.5 acres
- Disturbed Area: 10.5 acres
  
- Percent Impervious before Construction: 0%
- Runoff Coefficient before Construction: 0.35
  
- Percent Impervious after Construction: 80%
- Runoff Coefficient after Construction: 0.9

Receiving Waters:

- East Tributary of Jimmy Camp Creek
- Description: The creek channel is a dry creek bed that flows water intermittently after significant rainfall events in the drainage basin.
- Description of Storm Sewer System. New storm sewer consists of 18” and 24” storm sewer that conveys runoff from two inlets in Lorson Boulevard and discharges into Existing Pond C1. Pond C1 was designed to accept runoff from Lorson Boulevard and discharges flows through an outlet structure into the East Tributary of Jimmy Camp Creek.
- Description of impaired waters or waters subject to TMDLs: The site contains no impaired waters or waters subject to TMDLs.
- Description of unique features that are to be preserved: There are no known protected plant species within the project limits.
- Describe measures to protect these features: there are no known features to be protected.

Site Features and Sensitive Areas to be Protected:

This site is not located within (100-year floodplain) and contains no other sensitive areas including wetlands or endangered species and no grading will occur in the floodway of the creek.

---

**5.0 POTENTIAL SOURCES OF POLLUTION AND CONTROL STRATEGIES**

---

Potential sources of sediment to stormwater runoff include earth moving and concrete activities associated with grading and landscaping.

Potential pollutants and sources, other than sediment, to stormwater runoff include Trash, debris, line transfer, Dewatering, fueling and equipment failure.

A dewatering permit is not anticipated with this project.

There are no asphalt or concrete batch plants proposed with this project.

Construction activities produce many different kinds of pollutants which may cause storm water contamination problems. Grading activities remove rocks, vegetation and other erosion controlling surfaces, resulting in the exposure of underlying soil to the elements. Because the soil surface is unprotected, soil and sand particles are easily picked up by wind and/or washed away by rain or other water sources.

The following sections highlight the potential sources of pollution at the Project Site and list the “Best Management” strategies that will be used to prevent migration of pollution offsite.

Chemical materials stored indoors or that have no reasonable chance of impacting storm water quality will not be discussed in this plan.

Materials of significance stored on the project site include:

- Sediment
- Concrete Washout
- Cement
- Trash & Debris
- Sanitary Wastes
- Fuels & Oils

### **5.1 Wind Erosion & Dust Control**

Pollutant: Sediment

Best Management Strategies:

- Daily inspections will occur for areas experiencing excessive winds, vehicle traffic, or precipitation events.
- Water trucks will spray down dust on the project Site as needed to not impact adjacent properties.
- Attention will be given to prevent the over use of water in dust control operations to minimize any muddying of the surface and possible sediment transportation.

### **5.2 Vehicular Transport**

Pollutant: Sediment Tracking

Best Management Strategies:

- Construct a stabilized construction entrance to provide ingress and egress of the site.
- Restrict access to the stabilized construction entrance.
- Fencing will be erected if problems with access control are evident.
- Maintain track out pads by fluffing up the rock material or by adding additional rock as needed.
- Inspect, sweep and clean adjacent streets where track out is evident.

### **5.3 Stockpiles**

Pollutant: Sediment

Best Management Strategies:

- Locate stockpiles clear of any water flow paths.
- Locate stockpiles within the property boundary.
- Stockpiles will have erosion control devices as needed installed around the base to prevent the migration of soil.
- Topsoil stock piles and disturbed portions of the site where construction activity temporarily ceases for at least 14 days will be stabilized with temporary seed and mulch no later than 14 days from the last construction activity in the area.

### **5.4 Grading, Trenching, Export/Import**

Pollutant: Sediment

Best management Strategies:

- Earth moving will be minimized by the engineering balancing of the site.
- Disturbed portions of the site where construction activity temporarily ceases for at least 14 days will be stabilized with temporary seed and mulch no later than 14 days from the last construction activity in the area.

- Seed bed preparation is not required if soil is in loose condition.
- Prior to seeding, fertilizer shall be applied to each acre to be stabilized in accordance with the manufacturer's specifications.
- If required seeding areas shall be mulched with straw to a uniformed cover. The straw mulch is to be tacked into place by a disk with blades set nearly straight.
- A site specific erosion control drawing has been developed showing the location of Best Management practices to be used during site construction.
- Where indicated on the erosion control plan, Best Management Practices will be installed.
- Material shall be in accordance with the plans and specifications and all construction shall be provided in accordance with the manufacturer's specifications.
- All BMP's will be inspected bi-weekly and cleaned/maintained as required.

### **5.5 Waste, Residual Concrete**

Pollutant: Concrete, paint, and Phosphoric Acid

Best Management Strategies:

- A cleanup and washout area will be designated and posted.
- Subcontractors will be instructed on the locations and importance of the washout and cleanup areas. No on-site disposal is allowed.
- Instruct subcontractors to remove waste for which proper onsite disposal facilities are not provided back to their own facilities for ultimate transport, storage & disposal.
- Subcontractors and subcontractor employees are held responsible for improper washout.

### **5.6 Sanitary Facilities, Trash Containers & Littering**

Pollutant: Bacteria, Ammonia, Trash

Best Management Strategies:

- Portable facilities will be regularly serviced to prevent excessive waste containment and overflow.
- All waste materials will be collected and stored in a container which will meet all local and any state solid waste management regulations.
- Trash dumpsters will be emptied prior to becoming 90% full or when debris control becomes an issue.
- Employees will be instructed on the importance of recycling and waste management, and will be held responsible for improper waste management.

### **5.7 Fueling, Hazardous Materials, Equipment Leakage, Fertilizer**

Pollutant: Petroleum Hydrocarbons, Ethylene Glycol, Sediment

Best Management Strategies:

- MSDS sheets will be maintained in the project trailer for all onsite materials
- All dry materials such as cement will be covered and protected from rain.
- Secondary containment will be provided for stored fuel, oil, paint and any material classified as hazardous.
- Subcontractors are responsible for hazardous waste removal back to their own facilities for ultimate transportation, storage and disposal.
- Supplies will be kept onsite as necessary to control any potential spill.
- Employees will be held responsible for any illegal dumping.



- Seals will be checked by a qualified professional on all equipment and containers containing significant materials that could contribute potential pollutants and will be replaced as necessary.
- Equipment will be inspected by a qualified professional.
- Drip pans will be available for minor leaks and during fueling operations.
- Fueling nozzles, gauges, hoses, seals, and emergency shutoff valves will be inspected for leaks prior to use.
- Under no circumstances during fueling will the fueling hose/nozzle be left unattended.
- Fertilizers used will be applied only in the minimum amounts recommended by soil tests.
- Once applied, fertilizers will be worked into the soil to limit exposure to storm water.
- Stored fertilizer will be protected from exposure to precipitation and storm water runoff.

**5.8 Dewatering – not anticipated to be necessary. This shown for information only**

Pollutant: Sediment, Oil and/or Grease and Phosphoric Acid

Best Management Strategies:

- All dewatering will be filtered through rock and/or woven geo mesh fabric.
- All dewatering will be tested for Pollutants per state guidelines weekly

**5.9 Concrete and Asphalt Batch Plant** This shown for information only

There are no existing batch plants located on this project site and there are no proposed batch plants in the future.

---

**6.0 BEST MANAGEMENT PRACTICES (BMP's)**

---

Also refer to attached Erosion and Sediment Control notes and plans included in the site plans

**6.1 – Erosion and Sediment Control BMP's**

**6.1.1 Minimize Disturbed Area and Protect Natural Features and Soil**

All work will occur inside the limits of construction per the Erosion Control Site Plan. See Exhibit

1. Erosion control measures noted on Exhibit 1 shall be employed prior to construction.

**6.1.2 Phase Construction Activity**

The sequence for the installation and removal of erosion and sediment control measures is as follows:

1. Installation of perimeter erosion control measures as shown on Exhibit 1.
2. Site Clearing/Grubbing and topsoil stockpiling.
3. Expand existing detention pond using fill material to grade the street
4. Verify/complete final grading of street ROW's.
5. Construct underground water/storm.
6. Construct curb/gutter and pavement.
7. Final stabilize areas outside of ROW.
8. Construct gas/electric/cable/phone in the ROW areas.
9. Final stabilize ROW.

10. Final erosion control measures as areas are completed

### **6.1.3 Control Stormwater Flowing onto and through the Project**

Narrative:

There is no offsite stormwater flowing onto this project. Upstream runoff is collected in an existing storm sewer system in the residential subdivisions and conveyed in existing storm sewer pipes to existing Pond C1.

### **6.1.4 Stabilize Soils**

No disturbed area which is not actively being worked shall remain denuded for more than 14 calendar days unless otherwise authorized by the director. Temporary cover by seeding or mulching should be provided on areas which will be exposed for a period greater than 14 days before permanent stabilization can be achieved. Permanent cover should be provided on all areas as soon as possible, by means of seeding and mulching, straw or hay mulch is required. All soil stock piles and borrow areas must be protected with silt fence within 14 days after grading. All slopes within the project limits that are found to be eroding excessively within two years of permanent stabilization shall be provided additional slope stabilization methods such as seeding and mulching.

Water is to be used for dust control. The Contractor will prevent the escape of this water and any sediment it may carry from the construction site.

### **6.1.5 Protect Slopes**

Temporary stabilization will include the installation of silt fences on level contours spaces at 10-20 foot intervals. Slopes will be seeded and covered with hay, straw or erosion control blankets on slopes greater than 3:1 as needed to provide for temporary stabilization until vegetation is permanently established.

All slopes within the project limits that are found to be eroding excessively within two years of permanent stabilization shall be provided additional slope stabilization methods such as seeding and mulching. Where slopes are steeper than 3:1 erosion control blankets (per specification requirements) will be utilized for final stabilization.

### **6.1.6 Protect Storm Drain Inlets**

Inlet protection will be installed as soon as storm drain inlets are installed and before land-disturbance activities begin in areas with existing storm drain systems.

At the Contractor's discretion, additional temporary erosion control practices to include rock bags and sand bag barriers may be installed to prevent sediment movement. Inlet protection will include rock bags erosion logs curb inlet sediment filters where an overflow capacity is necessary to prevent excessive ponding in front of the curb inlet. Concrete block and wire screen inlet protection if used detail will be included Appendix C prior to installation, will be used where heavy flows are expected and where an overflow capacity is necessary to prevent excessive ponding around the inlet.

Inlet protection devices will be inspected and accumulated sediment will be removed as needed.

### **6.1.7 Establish Perimeter Controls and Sediment Barriers**

Temporary stabilization will include the installation of silt fences on the downslope perimeter of project area. The silt fence will be trenched in on the uphill side 6 inches deep and 6 inches wide as detailed in the silt fence exhibit. Sediment will be removed when it reaches 1/3 the height of the fence. Silt fence will be inspected and replaced or repaired as needed.

### **6.1.8 Retain Sediment On-Site**

Temporary sediment traps shall be installed to detain sediment laden runoff from small watersheds for a period long enough to allow sediment to settle before discharge into receiving waters. For small drainage locations smaller sediment traps should be used. At a minimum, silt fences, vegetative buffer strips or equivalent sediment controls are required for all down-slope boundaries (and for those side slope boundaries deemed appropriate as dictated by individual site conditions) of the construction. The use of a combination of sediment and erosion control measures in order to achieve maximum pollutant removal will be utilized. Sediment traps will be checked regularly for sediment cleanout. Sediments shall be removed and the trap restored to its original dimensions when the sediment has accumulated to one half the design volume of the wet storage. Sediment shall be disposed in suitable areas and in such a manner that will not erode or cause sedimentation problems.

The gravel outlets will be checked regularly for sediment buildup which will prevent damage. If the gravel is clogged by sediment, it shall be removed and cleaned or replaced.

An alternate to sediment traps are temporary sediment basins.

#### **6.1.9 Establish Stabilized Construction Exits**

The construction entrance will be established in the entry points of roads. The construction entrance will be at least 75 feet in length and approximately 12 feet wide and graded so runoff does not leave the site. The aggregate will be established at 8 inches thick on top of 4 inch minimum thick free draining material on top of geotextile and will consist of Type G dense graded material. A stabilized stone pad with a filter fabric under liner will be placed at points of vehicular ingress and egress.

#### **6.1.10 Additional BMP's**

##### **BMP Schedule:**

All Sediment and Erosion control BMP's (detailed below and only on BMP site map and details if utilized onsite) will be installed prior to any excavation or demolition and will be coordinated with the construction schedule.

As construction changes and new temporary BMP's are needed to control sediment and erosion temporary BMP's will be installed within 24 hours of inspection report.

##### **Recommended BMP's:**

ALL RECOMMENDED BMP'S WILL BE INSTALLED PRIOR TO EXCAVATION NEAR ANY SENSITIVE AREAS.

**Culvert Inlet Protection** will be used to protect existing and new culvert inlets. Inlet Protection Detail will be included in Appendix before using onsite. Removal of this BMP will occur only after vegetation is established to a minimum of 70% pre construction coverage and after removal of BMP all sediment builds up will be removed and the area exposed shall be seeded.

**Silt Fence** is to be installed in sensitive areas to protect stream channels, pond, and overland runoff. On this site it will be used to protect runoff from the slip pits. See Silt Fence Detail. Removal of this BMP will occur only after vegetation is established to a minimum of 70% pre construction coverage and after removal of BMP all sediment builds up will be removed and the area exposed shall be seeded.

**Vehicle Tracking Control** is needed at the main construction entrance location. Vehicle tracking control shall be installed at the edge of the construction staging area where

construction vehicles regularly exit onto existing asphalt road. If sediment tracking occurs it will be cleaned within 24 hours.

See Vehicle Tracking Control Detail in Appendix C. Removal of this BMP will occur only after project is substantially complete and is ready for seeding operations; the area will then be seeded per specification with the rest of the project.

**Check Dams** (rip rap) will be used to reduce storm water velocities in drainage channels during construction as a temporary measure until permanent stabilization can be created and vegetation has been established. Check Dam Detail will be included in the the Appendix before using onsite. Removal of this BMP will occur only after vegetation is established to a minimum of 70% pre construction coverage and after removal of BMP all sediment build-up will be removed and the area exposed shall be seeded.

**Portable Toilets:** Portable toilets are brought in from a service contractor and will be maintained in accordance with standard waste disposal practices using vacuum trucks and place on stable ground to minimize risk of spillage. All portable toilets will be kept a minimum of 500' from any waterway.

**Waste Disposal:** If needed Roll offs will be utilized for standard construction waste. A qualified contractor will remove waste weekly and take to an appropriate dump site off this project.

#### **6.1.11 Permanent BMP'S:**

##### **Re-vegetation:**

During construction any disturbed area not being currently worked left dormant longer than 14 days will be re-vegetated per specification with native seed and mulched and crimped with weed free straw.

**Final Stabilization** will be considered complete when all disturbed areas have a minimum of 70% preconstruction coverage for the specification requirements. Then all temporary BMP's will be removed and the exposed areas left behind will be seeded.

Other permanent BMP's include Detention/WQ Pond C1 and permanent seeding/mulching areas outside of pavement

## **6.2 Good Housekeeping BMP'S**

### **6.2.1 Material Handling and Waste Management**

The site will use a private refuse collector that will remove litter twice weekly. No less than one litter receptacle will be present at the construction site. In the event that unusual items such as tanks, cylinders, unidentified containers, etc. which could contain potentially hazardous materials are discovered or disturbed, the Fire and Rescue services will be notified.

Litter and debris will be picked up and disposed of properly daily.

Temporary toilet facilities will be located 500 feet away from any storm drain inlets and all waters of the state.

### **6.2.2 Establish Proper Building Material Staging Areas**

A designated staging area will be used, location to be determined based on available space in the field and plans will be redline. The staging area will be contained per SWMP guidelines. All Equipment and Materials will be brought into the site as needed.

### **6.2.3 Designate Washout Areas**

A concrete washout will be installed to detail as shown in Exhibit 1, and will be placed more than 500 feet away from any waters of the state.

### **6.2.4 Establish Proper Equipment/Vehicle Fueling and Maintenance Practices**

During construction the site will be exposed to operation and maintenance of construction equipment. The contractor shall be responsible for all activities such as fueling, oil changing, lubrication and repair which require use of petroleum products. Such products shall be transported to and from the site in special trucks equipped for that purpose. No waste petroleum products, rags, residue, or equipment parts shall be left on site. In the event of a spill or leak, causing soil to be contaminated, that soil shall be excavated placed in sealed barrels and removed from the site for transport to an approved location for disposal.

See section 7 for the Spill Plan.

### **6.2.5 Control Equipment/Vehicle Washing**

Washing any equipment will not be allowed on-site

### **6.2.6 Any Additional BMPs**

There are no additional BMP's anticipated

### **6.2.7 Allowable Non-Stormwater Discharge Management**

There are no visible natural springs or irrigation or other non-stormwater discharges anticipated to be encountered.

### **6.2.8: SELECTING POST-CONSTRUCTION BMPs**

Post Construction BMPs. Re-vegetation including seeding, mulching and erosion control blanket will be final BMP's. Permanent stabilization will be achieved with 70% pre construction vegetative establishment.

---

## **7.0 SPILL PREVENTION AND CONTROL PLAN**

---

The SITE SUPERINTENDENT will act as the point of contact for any spill that occurs at this jobsite. The project manager will be responsible for implementation of prevention practices, spill containment / cleanup, worker training, reporting and complete documentation in the event of a spill. The ECO shall immediately notify the Owner, /Construction Manager, STATE and the Local Fire Department in addition to the legally required Federal, State, and Local reporting channels (including the National Response Center, 800.424.8802) if a reportable quantity is released to the environment

### **7.1 SPILL PREVENTION BEST MANAGEMENT PRACTICES**

This section describes spill prevention methods Best Management Practices (BMP) that will be practiced to eliminate spills before they happen.

### **7.1.a Equipment Staging and Maintenance**

Store and maintain equipment in a designated area Reduce the amount of hazardous materials and waste by substituting non-hazardous or less hazardous materials. Use secondary containment (drain pan) to catch spills when removing or changing fluids. Use proper equipment (pumps, funnels) to transfer fluids Keep spill kits readily accessible Check incoming vehicles for leaking oil and fluids. Transfer used fluids and oil filters to waste or recycling drums immediately following generation. Inspect equipment routinely for leaks and spills Repair equipment immediately, if necessary implement a preventative maintenance schedule for equipment and vehicles.

### **7.1.b Fueling Area**

Perform fueling in designated fueling area minimum 50' away from federal waters Use secondary containment (drain pan) to catch spills Use proper equipment (pumps, funnels) to transfer fluids Keep spill kits readily accessible Inspect fueling areas routinely for leaks and spills

### **Hazardous Material Storage Areas**

Reduce the amount of hazardous materials by substituting non-hazardous or Less hazardous materials.

### **7.1. c Hazardous Material Storage Areas**

Minimize the quantity of hazardous materials brought onsite Store hazardous materials in a designated area away from drainage points.

### **7.1. d Unexpected Contaminated Soil and Water**

- Investigate historical site use
- Perform all excavation activities carefully and only after the Owner/Construction Manager directed any activities

## **7.2 SPILL CONTAINMENT METHODS**

The following discussion identifies the types of secondary containment that will be used in the event of a spill. Table 1 summarizes the containment methods for each potential source.

- **Equipment Staging and Maintenance Area.** An equipment leak from a fuel tank, equipment seal, or hydraulic line will be contained within a spill containment cell placed beneath all stationary potential leak sources. An undetected leak from parked equipment will be cleaned up using hand shovels and containerized in a 55-gallon steel drum for offsite disposal.
- **Fueling Area.** A small spill during fueling operations will be contained using fuel absorbent pads at the nozzle. The transfer of fuel into portable equipment will be performed using a funnel and/or hand pump and a spill pad used to absorb any incidental spills/drips. Any leaking tanks or drums will have fluids removed and transferred to another tank, drum, or container for the fluids. A spill response kit will be located near the fueling area or on the fuel truck for easy access. The spill response kit will include plastic sheeting, tarps, over pack drums, absorbent litter, and shovels.

- **Hazardous Material Storage Area.** A spill from containers or cans in a hazardous material storage area will be contained within the storage cabinet these materials are kept in.
- **Unexpected Contaminated Soil.** If contaminated soil is encountered during the project, the Owner/Construction Manager will be notified immediately. Small quantities of suspected contaminated soil will be placed on a 6-mil plastic liner and covered with 6-mil plastic. A soil berm or silt fence will be used to contain the stockpile and prevent migration of contaminated liquids in the soil.

**Table 1: Spill Prevention and Containment Methods**

Potential Spill Source	Potential Spill Source
Equipment Staging and Maintenance Area	Spill containment pad, spill kit, pumps, funnels
Fueling Area (site equipment only)	Spill containment pad, spill kit, pumps, funnels
Hazardous Material Staging Area	Spill containment pad, spill kit, pumps, funnels
Unexpected Contaminated Soil	Plastic liner, plastic cover, soil berm, hay bales, lined super sacks

### 7.3 SPILL COUNTERMEASURES

Every preventative measure shall be taken to keep contaminated or hazardous materials contained. If a release occurs, the following actions shall be taken:

1. **Stop the Spill:** The severity of a spill at the site is anticipated to be minimal as large containers/quantities of Hazardous Materials (HM) are not anticipated. The type of spill would occur while dispensing material at the HM storage facility and would likely be contained in secondary containment. Thus, the use spill kits or other available absorbent materials should stop the spill.
2. **Warn Others:** Notify co-workers and supervisory personnel of the release. Notify emergency responders if appropriate. For site personnel, an alarm system will consist of three one second blasts on an air horn sounded by the person discovering a spill or fire. In the event of any spill, the Superintendent and Project Manager shall be notified **if the spill is 5 gallons or more the STATE will be contacted along with the Fire Department.**
3. **Isolate the Area:** Prevent public access to the area and continue to minimize the spread of the material. Minimize personal exposure throughout emergency response actions.
4. **Containment:** A spill shall only be contained by trained personnel and if it is safe to do so. **DO NOT PLACE YOURSELF IN DANGER.** Attempt to extinguish a fire only if it is in the incipient stage; trash can size or smaller. For larger spills, wait for the arrival of emergency response personnel and provide directions to the location of the emergency.
5. **Complete a Spill and Incident Report:** For each spill of a Hazardous Material a spill and incident report shall be completed and submitted to the Owner/Construction Manager and if applicable to the Engineer and the State of Colorado Department of Public Health and Environment

---

## **8.0 INSPECTIONS**

---

### **8.1 Inspections**

Inspections will occur at least every 14 days and within 24 hours of a precipitation event producing runoff, which from past experience this occurs with precipitation of 1/4 inch of rain or more. The primary site for tracking weather data and rainfall measurements will be taken from Weather Underground and a rain gauge will be onsite for verification only.

#### **1. Inspection Personnel:**

The contract Stormwater Inspector will conduct the site inspections as mentioned above in Section 1.

#### **2. Inspection Schedule and Procedures:**

The inspection schedule will be routinely accomplished every 14 days and after every storm event for the entire site with all BMP's evaluated for performance and need. Any BMP found to be ineffective will be re-accomplished or replaced with a new BMP to provide the level of protection needed. BMP's found to be no longer needed will be removed. Inspections will also be accomplished as soon as practical, but within 24 hours of the end of a precipitation event causing surface erosion, over 1/4" or more.

The general procedures for correcting problems when they are identified will be to document the problem in the log and devise a solution utilizing all resources available to formulate BMP's that will correct the problem as soon as possible.

A copy of the inspection report to be used for the site is attached. See Appendix.

### **8.2 Delegation of Authority**

#### **Duly Authorized Representative(s) or Position(s):**

Authorized representatives for the SWMP plan will be: Jeff Mark – Primary Contact  
SWMP INSPECTOR – Trevor Terrill

### **8.3 Revisions to the SWMP**

The SWMP Inspector and/or the site superintendent have the authority to add/subtract/revise BMP's as necessary to accommodate construction activities. However, the engineer should be notified when any major redirection of runoff, offsite runoff, pond modifications, or other substantial changes are made to this SWMP. Changes should be documented per Section 9.0.

---

## **9.0 RECORDKEEPING AND TRAINING**

---

### **9.1 Recordkeeping**

Records will be retained for a minimum period of at least 3 years after the permit is terminated.

Major activities will start on 8/2018:

Date(s) when construction activities permanently cease on a portion of the site: 11/2018

Date(s) when an area is either temporarily or permanently stabilized: 5/2019

### **9.2 Changes to the SWMP**

Any changes will be referenced in APPENDIX. See Section 8.3 for authority to change the SWMP.

### **9.3 Training**



Individual(s) Responsible for Training:

All personnel on site will be trained on the site specific SWMP requirements to be conducted by the SWMP Inspector and/or the site superintendent.

**9.4 SWMP Location**

The on-site SWMP will be located at the NW corner of Lorson Boulevard and Old Glory Drive as indicated on Exhibit 1.

---

**10.0 FINAL STABILIZATION**

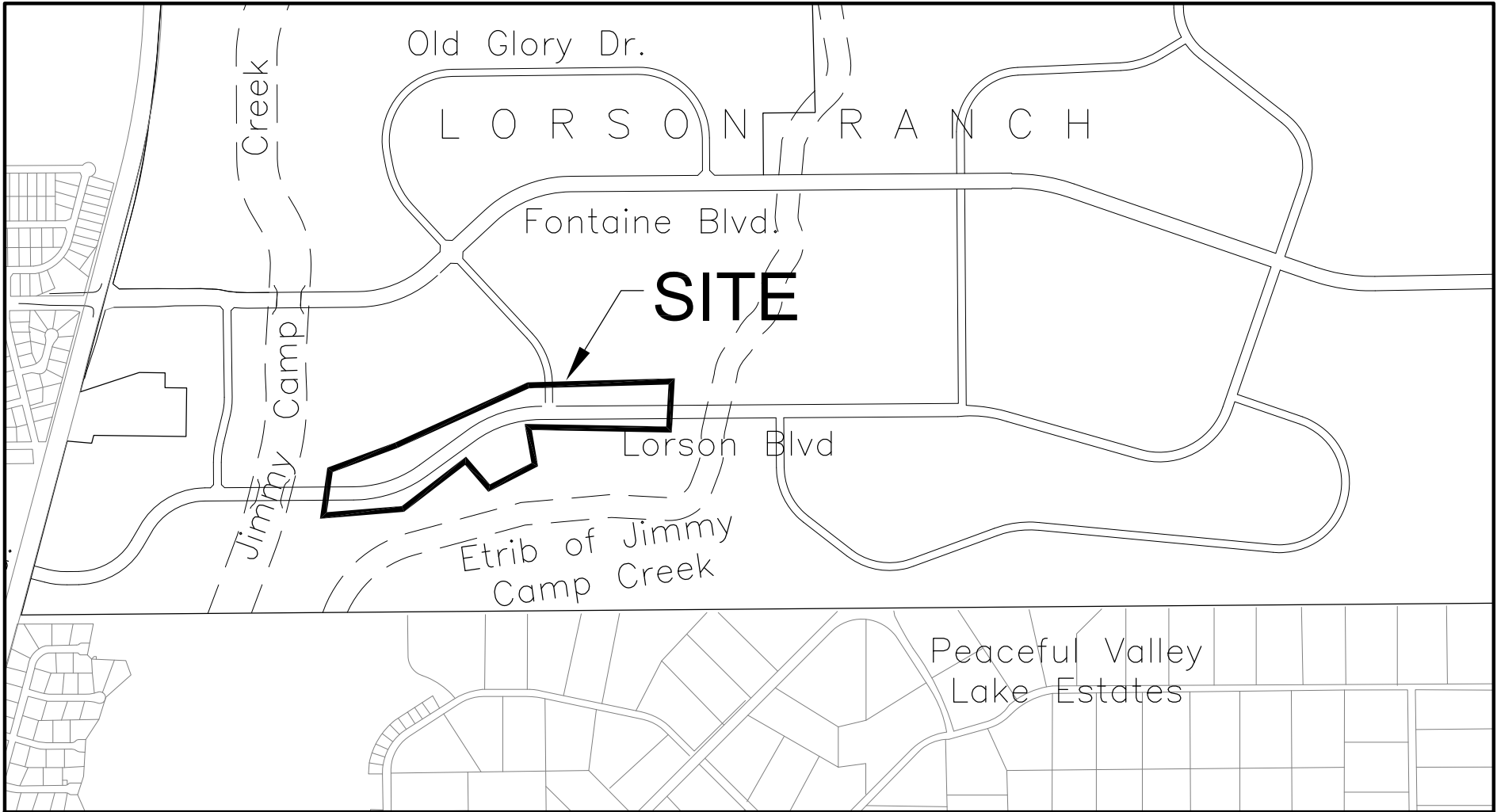
---

Final stabilization will be accomplished by contractors to re-vegetate the area of disturbance per the approved plans and specifications. Final stabilization will include permanent seeding/mulching of disturbed areas, erosion control blankets, and permanent BMP's.

Once 70% of the pre-development vegetative cover has been established and has been accepted, temporary BMP's will be removed and the permit will be terminated and filed.

Final stabilization is anticipated to be completed in May, 2019

## **APPENDIX A**



**VICINITY MAP**  
NO SCALE



**CORE**  
ENGINEERING GROUP

15004 1ST AVE. S.  
BURNSVILLE, MN 55306  
PH: 719.570.1100

CONTACT: RICHARD L. SCHINDLER, P.E.  
EMAIL: Rich@ceg1.com

**Lorson Boulevard Construction  
VICINITY MAP**

SCALE:  
NTS

DATE:  
APRIL, 2018

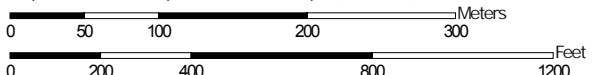
FIGURE NO.  
--

Soil Map—El Paso County Area, Colorado



Soil Map may not be valid at this scale.

Map Scale: 1:5,090 if printed on A landscape (11" x 8.5") sheet.



Map projection: Web Mercator Corner coordinates: WGS84 Edge tics: UTM Zone 13N WGS84



## MAP LEGEND

- Area of Interest (AOI)
- Area of Interest (AOI)
- Soil Map Unit Polygons
- Soil Map Unit Lines
- Soil Map Unit Points
- Special Point Features**
- Blowout
- Borrow Pit
- Clay Spot
- Closed Depression
- Gravel Pit
- Gravelly Spot
- Landfill
- Lava Flow
- Marsh or swamp
- Mine or Quarry
- Miscellaneous Water
- Perennial Water
- Rock Outcrop
- Saline Spot
- Sandy Spot
- Severely Eroded Spot
- Sinkhole
- Slide or Slip
- Sodic Spot
- Spoil Area
- Stony Spot
- Very Stony Spot
- Wet Spot
- Other
- Special Line Features
- Water Features**
- Streams and Canals
- Transportation**
- Rails
- Interstate Highways
- US Routes
- Major Roads
- Local Roads
- Background**
- Aerial Photography

## MAP INFORMATION

The soil surveys that comprise your AOI were mapped at 1:24,000.

Warning: Soil Map may not be valid at this scale.

Enlargement of maps beyond the scale of mapping can cause misunderstanding of the detail of mapping and accuracy of soil line placement. The maps do not show the small areas of contrasting soils that could have been shown at a more detailed scale.

Please rely on the bar scale on each map sheet for map measurements.

Source of Map: Natural Resources Conservation Service  
 Web Soil Survey URL:  
 Coordinate System: Web Mercator (EPSG:3857)

Maps from the Web Soil Survey are based on the Web Mercator projection, which preserves direction and shape but distorts distance and area. A projection that preserves area, such as the Albers equal-area conic projection, should be used if more accurate calculations of distance or area are required.

This product is generated from the USDA-NRCS certified data as of the version date(s) listed below.

Soil Survey Area: El Paso County Area, Colorado  
 Survey Area Data: Version 15, Oct 10, 2017

Soil map units are labeled (as space allows) for map scales 1:50,000 or larger.

Date(s) aerial images were photographed: Nov 7, 2015—Mar 9, 2017

The orthophoto or other base map on which the soil lines were compiled and digitized probably differs from the background imagery displayed on these maps. As a result, some minor shifting of map unit boundaries may be evident.

## Map Unit Legend

Map Unit Symbol	Map Unit Name	Acres in AOI	Percent of AOI
10	Blendon sandy loam, 0 to 3 percent slopes	4.9	29.8%
52	Manzanst clay loam, 0 to 3 percent slopes	11.5	70.2%
<b>Totals for Area of Interest</b>		<b>16.3</b>	<b>100.0%</b>

**APPENDIX B**

**CONSTRUCTION PLANS**

CONSTRUCTION PLANS  
FOR  
**LORSON BOULEVARD**

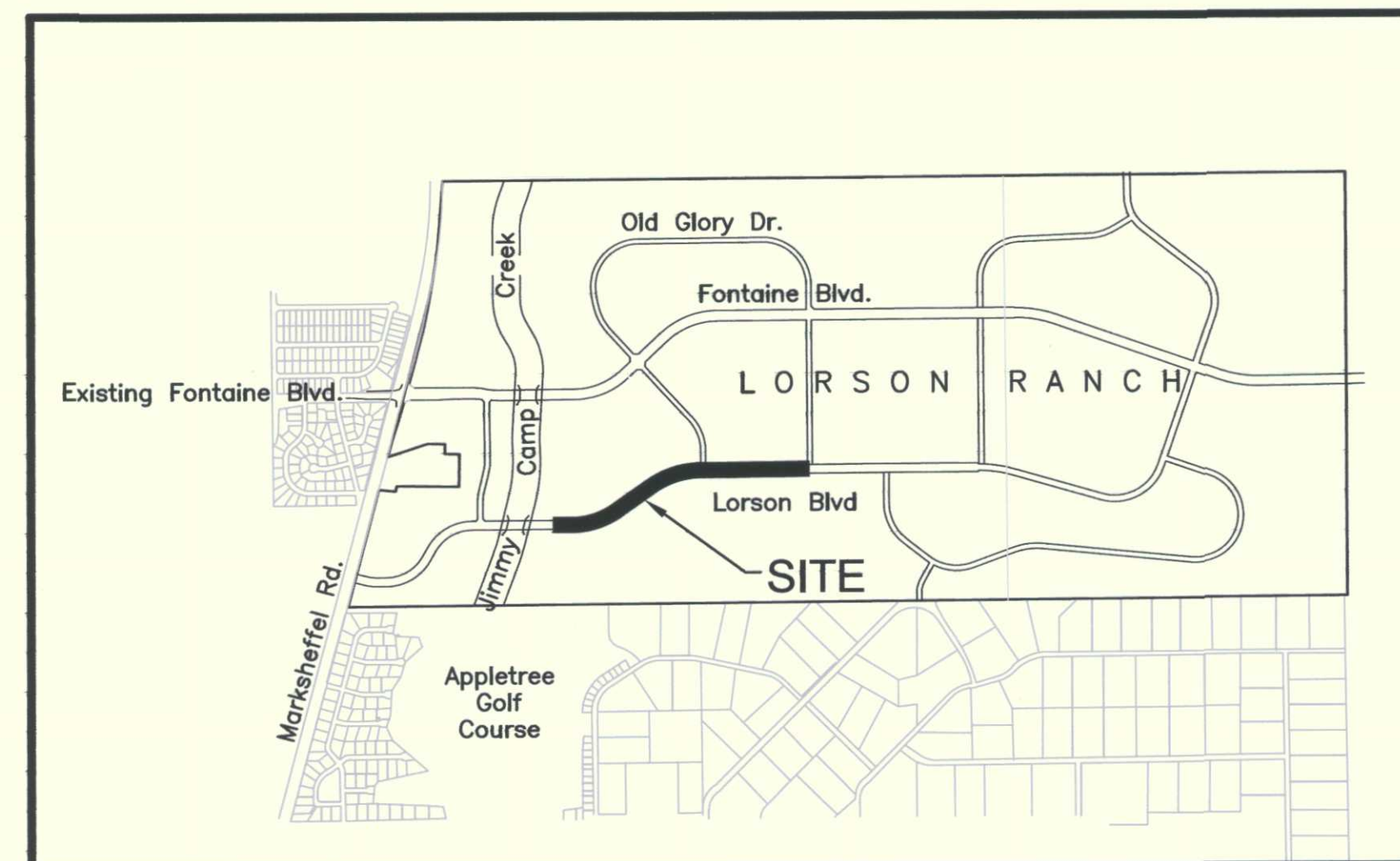
**GRADING AND  
EROSION CONTROL PLANS**



Know what's below.  
Call before you dig.

CALL 2-BUSINESS DAYS IN ADVANCE  
BEFORE YOU DIG, GRADE OR  
EXCAVATE FOR THE MARKING OF  
UNDERGROUND MEMBER UTILITIES

SHEET INDEX	
SHEET NO.	SHEET DESCRIPTION
C0.1	COVER SHEET
C0.2	NOTES
C0.3	TYPICAL SECTIONS
C4.1	GRADING AND EROSION CONTROL
C10.1	EROSION CONTROL DETAILS



**VICINITY MAP**  
NO SCALE

**DEVELOPER'S STATEMENT**

THE UNDERSIGNED OWNER/DEVELOPER HAS READ AND WILL COMPLY WITH ALL THE REQUIREMENTS SPECIFIED IN THESE CONSTRUCTION PLANS AND THE ACCOMPANYING DRAINAGE REPORT.

BUSINESS NAME LORSON, LLC  
BY [Signature] DATE 8/30/18  
TITLE Authorized Signing Agent  
ADDRESS 212 N. WAHSATCH AVE., SUITE 301  
COLORADO SPRINGS, CO 80903

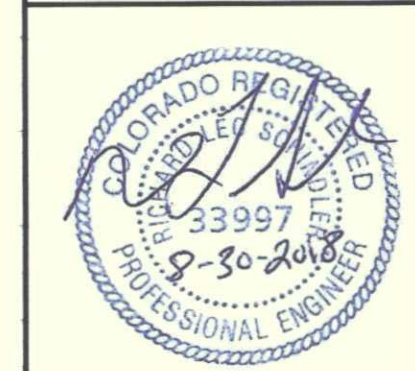
**CORE ENGINEERING GROUP**  
15004 1ST AVENUE S.  
BURNSVILLE, MN 55306  
PH: 719.570.1100  
CONTACT: RICHARD L. SCHINDLER, P.E.  
EMAIL: Rich@cegi.com

**PREPARED FOR:**  
**LORSON, LLC**  
212 N. WAHSATCH AVE., SUITE 301  
COLORADO SPRINGS, COLORADO 80903  
(719) 635-3200  
CONTACT: JEFF MARK

**PROJECT:**  
**LORSON BLVD**  
LORSON BLVD-OLD GLORY DR  
COLORADO SPRINGS, COLORADO

NO. \_\_\_\_\_  
DRAWN: RLS  
DESIGNED: RLS  
CHECKED: RLS

**COVER SHEET**  
**LORSON BLVD FROM JCC TO STINGRAY LN GRADING & E.C. PLANS**



DATE: **AUGUST 30, 2018**  
PROJECT NO. **100.043**  
SHEET NUMBER **C0.1**  
TOTAL SHEETS: **5**

PREPARED FOR  
**LORSON, LLC**  
212 N. WAHSATCH AVE., SUITE 301  
COLORADO SPRINGS, CO 80903  
719-635-3200  
CONTACT: JEFF MARK

PREPARED BY  
**CORE ENGINEERING GROUP**  
15004 1ST AVENUE S.  
BURNSVILLE, MN 55306  
719-570-1100  
CONTACT: RICHARD L. SCHINDLER P.E.

**WATER / SANITARY**  
WIDEFIELD WATER AND SANITATION DISTRICT  
8495 FONTAINE BLVD.  
COLORADO SPRINGS, CO 80925  
719-390-7111

**CABLE**  
COMCAST  
P.O. BOX 173838  
DENVER, CO 80217  
970-641-4774

**ELECTRIC**  
MOUNTAIN VIEW ELECTRIC  
11140 E. WOODMEN RD.  
COLORADO SPRINGS, CO 80831  
719-495-2283

**SECURITY FIRE PROTECTION DISTRICT**  
400 SECURITY BOULEVARD  
SECURITY, CO 80911  
719-392-7121

**TELEPHONE**  
CENTURYLINK  
7925 INDUSTRY ROAD  
COLORADO SPRINGS, CO 80939  
719-278-4651

**GAS**  
BLACK HILLS ENGERGY  
7060 ALLEGRE ST.  
FOUNTAIN, CO 80817  
719-393-6639

**EL PASO COUNTY**  
PLANNING AND COMMUNITY DEVELOPMENT  
2880 INTERNATIONAL CIRCLE  
COLORADO SPRINGS, CO 80910  
719-520-6300

**BASIS OF BEARING**  
BEARINGS ARE BASED ON THE SOUTH LINE OF THE NORTH HALF OF SECTION 23, TOWNSHIP 15 SOUTH, RANGE 65 WEST OF THE 6TH PRINCIPAL MERIDIAN AS BEING S89°41'52"W.  
THE EAST QUARTER CORNER OF SAID SECTION 23 IS A FOUND 3-1/2" ALUMINUM CAP MONUMENT AND THE WEST QUARTER CORNER OF SAID SECTION 23 IS A FOUND 2-1/2" ALUMINUM CAP MONUMENT.

**BENCHMARK**  
FIMS MONUMENT F204 LOCATED AT THE NORTHWEST CORNER OF FONTAINE BLVD.  
AND COTTONWOOD GROVE DR. ELEVATION 5724.072 (N.G.V.D. 29)

**TRAFFIC CONTROL NOTE**  
THE CONTRACTOR SHALL PROVIDE ALL TRAFFIC CONTROL DEVICES AND MONITORING NECESSARY TO SAFELY COMPLETE THE WORK SHOWN IN THESE CONSTRUCTION DOCUMENTS IN CONFORMANCE WITH M.U.T.C.D. GUIDELINES. THE CONTRACTOR SHALL COMPLETE ALL NECESSARY WORK FOR PLAN REVIEW, PERMITS AND PROCESSING. TRAFFIC CONTROL WILL NOT BE PAID SEPARATELY BUT IS INCLUDED IN THE COST OF THE PROJECT.

**CONSTRUCTION APPROVAL**  
COUNTY PLAN REVIEW IS PROVIDED ONLY FOR GENERAL CONFORMANCE WITH COUNTY DESIGN CRITERIA. THE COUNTY IS NOT RESPONSIBLE FOR THE ACCURACY AND ADEQUACY OF THE DESIGN, DIMENSIONS, AND/OR ELEVATIONS WHICH SHALL BE CONFIRMED AT THE JOB SITE. THE COUNTY THROUGH THE APPROVAL OF THIS DOCUMENT ASSUMES NO RESPONSIBILITY FOR COMPLETENESS AND/OR ACCURACY OF THIS DOCUMENT.

FILED IN ACCORDANCE WITH THE REQUIREMENTS OF THE EL PASO COUNTY LAND DEVELOPMENT CODE, DRAINAGE CRITERIA MANUAL VOLUMES I AND II, AND ENGINEERING CRITERIA MANUAL AS AMENDED. CONSTRUCTION DOCUMENTS WILL BE VALID FOR A PERIOD OF 2 YEARS FROM THE DATE SIGNED BY THE EL PASO COUNTY ENGINEER.

JENNIFER IRVINE, COUNTY ENGINEER/ECM ADMINISTRATOR      DATE  
CONDITIONS:

**ENGINEER'S APPROVAL**  
THIS GRADING AND EROSION CONTROL PLAN WAS PREPARED UNDER MY DIRECTION AND SUPERVISION AND IS CORRECT TO THE BEST OF MY KNOWLEDGE AND BELIEF. SAID PLAN HAS BEEN PREPARED ACCORDING TO THE CRITERIA ESTABLISHED BY THE COUNTY FOR GRADING AND EROSION CONTROL PLANS. I ACCEPT RESPONSIBILITY FOR ANY NEGLIGENT ACTS, ERRORS, OR OMISSIONS ON MY PART IN PREPARING THIS PLAN

RICHARD L. SCHINDLER, P.E. # 33997  
FOR AND ON BEHALF OF CORE ENGINEERING GROUP

CDR18-006



**CONSTRUCTION NOTES**

- ALL WORK SHALL COMPLY WITH THE CODES AND POLICIES FOR EL PASO COUNTY.
- EXISTING TOPOGRAPHIC INFORMATION SHOWN ON THIS GRADING PLAN WAS OBTAINED FROM DREXEL, BARRELL & CO., JULY, 2005. SUPPLEMENTAL SURVEY DATA WAS OBTAINED FOR MARKSHEFFEL ROAD FROM M&S CIVIL GROUP IN NOVEMBER, 2016. THE CONTRACTOR SHALL BE RESPONSIBLE TO EXAMINE THE SITE AND BE FAMILIAR WITH THE EXISTING CONDITIONS.
- DEPTH OF MOISTURE-DENSITY CONTROL FOR THIS PROJECT SHALL BE AS FOLLOWS:  
BASE OF ALL CUTS AND FILLS - 12 INCHES,  
FULL DEPTH OF ALL EMBANKMENTS
- THE CONTRACTOR IS RESPONSIBLE FOR THE RE-ESTABLISHMENT OF ALL SURVEY MONUMENTS DISTURBED WITHIN THE PROJECT LIMITS.
- THE CONTRACTOR SHALL PROTECT ALL WORK AREAS AND FACILITIES FROM FLOODING AT ALL TIMES. AREAS AND FACILITIES SUBJECTED TO FLOODING, REGARDLESS OF THE SOURCE OF WATER, SHALL BE PROMPTLY DEWATERED AND RESTORED.
- PRIOR TO PAVING OPERATIONS, THE ENTIRE SUBGRADE SHALL BE PROOF-ROLLED WITH A LOADED 988 FRONT-END LOADER OR SIMILAR HEAVY RUBBER Tired VEHICLE (GVW OF 50,000 POUNDS WITH 18 KIP PER AXLE AT TIRE PRESSURES OF 90 PSI) TO DETECT ANY SOFT OR LOOSE AREAS. IN AREAS WHERE SOFT OR LOOSE SOILS, PUMPING OR EXCESSIVE MOVEMENT IS OBSERVED, THE EXPOSED MATERIALS SHALL BE OVER-EXCAVATED TO A MINIMUM DEPTH OF TWO FEET BELOW PROPOSED FINAL GRADE OR TO A DEPTH AT WHICH SOILS ARE STABLE. AFTER THIS HAS BEEN COMPLETED, THE EXPOSED MATERIALS SHALL BE SCARIFIED TO A DEPTH OF 12 INCHES AND MOISTURE CONDITIONED. THE SUBGRADE SHALL THEN BE UNIFORMLY COMPACTED TO A MINIMUM OF 95% OF STANDARD PROCTOR DENSITY (ASTM D-698) AT 0 TO +4.0% OF OPTIMUM MOISTURE CONTENT FOR A-6 AND A-7-6 SOILS ENCOUNTERED. OTHER SUBGRADE TYPES SHALL BE UNIFORMLY COMPACTED TO A MINIMUM OF 95% OF MODIFIED PROCTOR DENSITY (ASTM D-1557) AT PLUS OR MINUS 2.0% OF OPTIMUM MOISTURE CONTENT. AREAS WHERE STABLE NATURAL SOILS ARE ENCOUNTERED AT PROPOSED SUBGRADE ELEVATION SHALL ALSO BE SCARIFIED (18 INCHES FOR A-7-6 SOILS BELOW FULL-DEPTH ASPHALT CONCRETE) AND COMPACTED AS OUTLINED ABOVE PRIOR TO PAVING OPERATIONS. SUBGRADE FILL SHALL BE PLACED IN SIX-INCH LIFTS AND UNIFORMLY COMPACTED, MEETING THE REQUIREMENTS AS PREVIOUSLY DESCRIBED.
- SUBGRADE MATERIALS DEEMED UNSUITABLE BY THE ENGINEER SHALL BE EXCAVATED, DISPOSED OF AND REPLACED WITH APPROVED MATERIALS.
- FILL SHALL BE PLACED IN 8-INCH MAXIMUM LOOSE LIFTS AND SHALL BE COMPACTED PRIOR TO SUCCESSIVE LIFTS.
- THE CONTRACTOR IS RESPONSIBLE FOR PREVENTING AND CONTROLLING EROSION DURING CONSTRUCTION ACTIVITIES AT ALL TIMES DURING GRADING AND CONSTRUCTION. THE CONTRACTOR SHALL PROVIDE THE FOLLOWING EROSION AND SEDIMENT CONTROL MEASURES:
  - HAY BALE BARRIERS WHERE NEEDED AND/OR AS DIRECTED BY THE ENGINEER.
  - SILT FENCE WHERE NEEDED AND/OR AS DIRECTED BY THE ENGINEER.
  - TEMPORARY SEDIMENTATION BASINS WHERE NEEDED AND/OR AS DIRECTED BY THE ENGINEER.
  - MULCHING AND SEEDING OF EXCESSIVE SLOPED AREAS AS NEEDED OR AS DIRECTED BY THE ENGINEER.
  - TEMPORARY VEHICLE TRACKING CONTROL AS NEEDED AND/OR DIRECTED BY THE ENGINEER.
  - CONCRETE WASH AREAS.
  - INLET PROTECTION.
 THESE AND ALL EROSION CONTROL BEST MANAGEMENT PRACTICES AS SHOWN IN THE GRADING AND EROSION CONTROL PLANS SHALL BE STRICTLY ADHERED TO.

**EL PASO COUNTY STANDARD CONSTRUCTION NOTES:**

- ALL DRAINAGE AND ROADWAY CONSTRUCTION SHALL MEET THE STANDARDS AND SPECIFICATIONS OF THE CITY OF COLORADO SPRINGS/EL PASO COUNTY DRAINAGE CRITERIA MANUAL, VOLUMES 1 AND 2, AND THE EL PASO COUNTY ENGINEERING CRITERIA MANUAL.
- CONTRACTOR SHALL BE RESPONSIBLE FOR THE NOTIFICATION AND FIELD NOTIFICATION OF ALL EXISTING UTILITIES, WHETHER SHOWN ON THE PLANS OR NOT, BEFORE BEGINNING CONSTRUCTION. LOCATION OF EXISTING UTILITIES SHALL BE VERIFIED BY THE CONTRACTOR PRIOR TO CONSTRUCTION. CALL 811 TO CONTACT THE UTILITY NOTIFICATION CENTER OF COLORADO (UNCC).
- CONTRACTOR SHALL KEEP A COPY OF THESE APPROVED PLANS, THE GRADING AND EROSION CONTROL PLAN, THE STORMWATER MANAGEMENT PLAN (SWMP), THE SOILS AND GEOTECHNICAL REPORT, AND THE APPROPRIATE DESIGN AND CONSTRUCTION STANDARDS AND SPECIFICATIONS AT THE JOB SITE AT ALL TIMES, INCLUDING THE FOLLOWING:
  - EL PASO COUNTY ENGINEERING CRITERIA MANUAL (ECM)
  - CITY OF COLORADO SPRINGS/EL PASO COUNTY DRAINAGE CRITERIA MANUAL, VOLUMES 1 AND 2
  - COLORADO DEPARTMENT OF TRANSPORTATION (CDOT) STANDARD SPECIFICATIONS FOR ROAD AND BRIDGE CONSTRUCTION
  - CDOT M & S STANDARDS
- NOTWITHSTANDING ANYTHING DEPICTED IN THESE PLANS IN WORDS OR GRAPHIC REPRESENTATION, ALL DESIGN AND CONSTRUCTION RELATED TO ROADS, STORM DRAINAGE AND EROSION CONTROL SHALL CONFORM TO THE STANDARDS AND REQUIREMENTS OF THE MOST RECENT VERSION OF THE RELEVANT ADOPTED EL PASO COUNTY STANDARDS, INCLUDING THE LAND DEVELOPMENT CODE, THE ENGINEERING CRITERIA MANUAL, THE DRAINAGE CRITERIA MANUAL, AND THE DRAINAGE CRITERIA MANUAL VOLUME 2. ANY DEVIATIONS FROM REGULATIONS AND STANDARDS MUST BE REQUESTED, AND APPROVED, IN WRITING. ANY MODIFICATIONS NECESSARY TO MEET CRITERIA AFTER-THE-FACT WILL BE ENTIRELY THE DEVELOPER'S RESPONSIBILITY TO RECTIFY.
- IT IS THE DESIGN ENGINEER'S RESPONSIBILITY TO ACCURATELY SHOW EXISTING CONDITIONS, BOTH ONSITE AND OFFSITE, ON THE CONSTRUCTION PLANS. ANY MODIFICATIONS NECESSARY DUE TO CONFLICTS, OMISSIONS, OR CHANGED CONDITIONS WILL BE ENTIRELY THE DEVELOPER'S RESPONSIBILITY TO RECTIFY.
- CONTRACTOR SHALL SCHEDULE A PRE-CONSTRUCTION MEETING WITH PLANNING AND COMMUNITY DEVELOPMENT (PCD) - INSPECTIONS, PRIOR TO STARTING CONSTRUCTION.
- IT IS THE CONTRACTOR'S RESPONSIBILITY TO UNDERSTAND THE REQUIREMENTS OF ALL JURISDICTIONAL AGENCIES AND TO OBTAIN ALL REQUIRED PERMITS, INCLUDING BUT NOT LIMITED TO EL PASO COUNTY EROSION AND STORMWATER QUALITY CONTROL PERMIT (ESQCP), REGIONAL BUILDING FLOODPLAIN DEVELOPMENT PERMIT, U.S. ARMY CORPS OF ENGINEERS-ISSUED 401 AND/OR 404 PERMITS, AND COUNTY AND STATE FUGITIVE DUST PERMITS.
- CONTRACTOR SHALL NOT DEVIATE FROM THE PLANS WITHOUT FIRST OBTAINING WRITTEN APPROVAL FROM THE DESIGN ENGINEER AND PCD. CONTRACTOR SHALL NOTIFY THE DESIGN ENGINEER IMMEDIATELY UPON DISCOVERY OF ANY ERRORS OR INCONSISTENCIES.
- ALL STORM DRAIN PIPE SHALL BE CLASS III RCP UNLESS OTHERWISE NOTED AND APPROVED BY PCD.
- CONTRACTOR SHALL COORDINATE GEOTECHNICAL TESTING PER ECM STANDARDS. PAVEMENT DESIGN SHALL BE APPROVED BY EL PASO COUNTY PCD PRIOR TO PLACEMENT OF CURB AND GUTTER AND PAVEMENT.
- ALL CONSTRUCTION TRAFFIC MUST ENTER/EXIT THE SITE AT APPROVED CONSTRUCTION ACCESS POINTS.
- SIGHT VISIBILITY TRIANGLES AS IDENTIFIED IN THE PLANS SHALL BE PROVIDED AT ALL INTERSECTIONS. OBSTRUCTIONS GREATER THAN 18 INCHES ABOVE FLOWLINE ARE NOT ALLOWED WITHIN SIGHT TRIANGLES.
- SIGNING AND STRIPING SHALL COMPLY WITH EL PASO COUNTY PUBLIC WORKS DEPARTMENT AND MUTCD CRITERIA.
- CONTRACTOR SHALL OBTAIN ANY PERMITS REQUIRED BY EL PASO COUNTY PUBLIC WORKS DEPARTMENT, INCLUDING WORK WITHIN THE RIGHT-OF-WAY AND SPECIAL TRANSPORT PERMITS.
- THE LIMITS OF CONSTRUCTION SHALL REMAIN WITHIN THE PROPERTY LINE UNLESS OTHERWISE NOTED. THE OWNER/DEVELOPER SHALL OBTAIN WRITTEN PERMISSION AND EASEMENTS, WHERE REQUIRED, FROM ADJOINING PROPERTY OWNER(S) PRIOR TO ANY OFF-SITE DISTURBANCE, GRADING, OR CONSTRUCTION.

**STANDARD NOTES FOR EL PASO COUNTY GRADING AND EROSION CONTROL PLANS**

- CONSTRUCTION MAY NOT COMMENCE UNTIL A CONSTRUCTION PERMIT IS OBTAINED FROM PCD AND A PRECONSTRUCTION CONFERENCE IS HELD WITH PCD INSPECTIONS.
- STORMWATER DISCHARGES FROM CONSTRUCTION SITES SHALL NOT CAUSE OR THREATEN TO CAUSE POLLUTION, CONTAMINATION, OR DEGRADATION OF STATE WATERS. ALL WORK AND EARTH DISTURBANCE SHALL BE DONE IN A MANNER THAT MINIMIZES POLLUTION OF ANY ON-SITE OR OFF SITE WATERS, INCLUDING WETLANDS.
- NOTWITHSTANDING ANYTHING DEPICTED IN THESE PLANS IN WORDS OR GRAPHIC REPRESENTATION, ALL DESIGN AND CONSTRUCTION RELATED TO ROADS, STORM DRAINAGE AND EROSION CONTROL SHALL CONFORM TO THE STANDARDS AND REQUIREMENTS OF THE MOST RECENT VERSION OF THE RELEVANT ADOPTED EL PASO COUNTY STANDARDS, INCLUDING THE LAND DEVELOPMENT CODE, THE ENGINEERING CRITERIA MANUAL, THE DRAINAGE CRITERIA MANUAL, AND THE DRAINAGE CRITERIA MANUAL VOLUME 2. ANY DEVIATIONS FROM REGULATIONS AND STANDARDS MUST BE REQUESTED, AND APPROVED, IN WRITING.
- A SEPARATE STORMWATER MANAGEMENT PLAN (SWMP) FOR THIS PROJECT SHALL BE COMPLETED AND AN EROSION AND STORMWATER QUALITY CONTROL PERMIT (ESQCP) ISSUED PRIOR TO COMMENCING CONSTRUCTION. DURING CONSTRUCTION THE SWMP IS THE RESPONSIBILITY OF THE DESIGNATED STORMWATER MANAGER, SHALL BE LOCATED ON SITE AT ALL TIMES AND SHALL BE KEPT UP TO DATE WITH WORK PROGRESS AND CHANGES IN THE FIELD.
- ONCE THE ESQCP HAS BEEN ISSUED, THE CONTRACTOR MAY INSTALL THE INITIAL STAGE EROSION AND SEDIMENT CONTROL BMP'S AS INDICATED ON THE GEC. A PRECONSTRUCTION MEETING BETWEEN THE CONTRACTOR, ENGINEER, AND EL PASO COUNTY WILL BE HELD PRIOR TO ANY CONSTRUCTION. IT IS THE RESPONSIBILITY OF THE APPLICANT TO COORDINATE THE MEETING TIME AND PLACE WITH COUNTY PCD INSPECTIONS STAFF.
- SOIL EROSION CONTROL MEASURES FOR ALL SLOPES, CHANNELS, DITCHES, OR ANY DISTURBED LAND AREA SHALL BE COMPLETED WITHIN 21 CALENDAR DAYS AFTER FINAL GRADING, OR FINAL EARTH DISTURBANCE, HAS BEEN COMPLETED. DISTURBED AREAS AND STOCKPILES WHICH ARE NOT AT FINAL GRADE BUT WILL REMAIN DORMANT FOR LONGER THAN 30 DAYS SHALL ALSO BE MULCHED WITHIN 21 DAYS AFTER INTERIM GRADING. AN AREA THAT IS GOING TO REMAIN IN AN INTERIM STATE FOR MORE THAN 60 DAYS SHALL ALSO BE SEEDDED. ALL TEMPORARY SOIL EROSION CONTROL MEASURES AND BMP'S SHALL BE MAINTAINED UNTIL PERMANENT SOIL EROSION CONTROL MEASURES ARE IMPLEMENTED AND ESTABLISHED.
- TEMPORARY SOIL EROSION CONTROL FACILITIES SHALL BE REMOVED AND EARTH DISTURBANCE AREAS GRADED AND STABILIZED WITH PERMANENT SOIL EROSION CONTROL MEASURES PURSUANT TO STANDARDS AND SPECIFICATION PRESCRIBED IN THE DCM VOLUME II AND THE ENGINEERING CRITERIA MANUAL (ECM) APPENDIX I.
- ALL PERSONS ENGAGED IN EARTH DISTURBANCE SHALL IMPLEMENT AND MAINTAIN ACCEPTABLE SOIL EROSION AND SEDIMENT CONTROL MEASURES INCLUDING BMP'S IN CONFORMANCE WITH THE EROSION CONTROL TECHNICAL STANDARDS OF THE DRAINAGE CRITERIA MANUAL (DCM) VOLUME II AND IN ACCORDANCE WITH THE STORMWATER MANAGEMENT PLAN (SWMP).
- ALL TEMPORARY EROSION CONTROL FACILITIES INCLUDING BMP'S AND ALL PERMANENT FACILITIES INTENDED TO CONTROL EROSION OF ANY EARTH DISTURBANCE OPERATIONS, SHALL BE INSTALLED AS DEFINED IN THE APPROVED PLANS, THE SWMP AND THE DCM VOLUME II AND MAINTAINED THROUGHOUT THE DURATION OF THE EARTH DISTURBANCE OPERATION.
- ANY EARTH DISTURBANCE SHALL BE CONDUCTED IN SUCH A MANNER SO AS TO EFFECTIVELY REDUCE ACCELERATED SOIL EROSION AND RESULTING SEDIMENTATION. ALL DISTURBANCES SHALL BE DESIGNED, CONSTRUCTED, AND COMPLETED SO THAT THE EXPOSED AREA OF ANY DISTURBED LAND SHALL BE LIMITED TO THE SHORTEST PRACTICAL PERIOD OF TIME.
- ANY TEMPORARY OR PERMANENT FACILITY DESIGNED AND CONSTRUCTED FOR THE CONVEYANCE OF STORMWATER AROUND, THROUGH, OR FROM THE EARTH DISTURBANCE AREA SHALL BE DESIGNED TO LIMIT THE DISCHARGE TO A NON-EROSIVE VELOCITY.
- CONCRETE WASH WATER SHALL BE CONTAINED AND DISPOSED OF IN ACCORDANCE WITH THE SWMP. NO WASH WATER SHALL BE DISCHARGED TO OR ALLOWED TO RUNOFF TO STATE WATERS, INCLUDING ANY SURFACE OR SUBSURFACE STORM DRAINAGE SYSTEM OR FACILITIES.
- EROSION CONTROL BLANKETING SHALL BE USED ON SLOPES STEEPER THAN 3:1.
- BUILDING, CONSTRUCTION, EXCAVATION, OR OTHER WASTE MATERIALS SHALL NOT BE TEMPORARILY PLACED OR STORED IN THE STREET, ALLEY, OR OTHER PUBLIC WAY, UNLESS IN ACCORDANCE WITH AN APPROVED TRAFFIC CONTROL PLAN. BMP'S MAY BE REQUIRED BY EL PASO COUNTY PCD IF DEEMED NECESSARY, BASED ON SPECIFIC CONDITIONS AND CIRCUMSTANCES.
- VEHICLE TRACKING OF SOILS AND CONSTRUCTION DEBRIS OFF-SITE SHALL BE MINIMIZED. MATERIALS TRACKED OFFSITE SHALL BE CLEANED UP AND PROPERLY DISPOSED OF IMMEDIATELY.
- CONTRACTOR SHALL BE RESPONSIBLE FOR THE REMOVAL OF ALL WASTES FROM THE CONSTRUCTION SITE FOR DISPOSAL IN ACCORDANCE WITH LOCAL AND STATE REGULATORY REQUIREMENTS. NO CONSTRUCTION DEBRIS, TREE SLASH, BUILDING MATERIAL WASTES OR UNUSED BUILDING MATERIALS SHALL BE BURIED, DUMPED, OR DISCHARGED AT THE SITE.
- THE OWNER, SITE DEVELOPER, CONTRACTOR, AND/OR THEIR AUTHORIZED AGENTS SHALL BE RESPONSIBLE FOR THE REMOVAL OF ALL CONSTRUCTION DEBRIS, DIRT, TRASH, ROCK, SEDIMENT, AND SAND THAT MAY ACCUMULATE IN THE STORM SEWER OR OTHER DRAINAGE CONVEYANCE SYSTEM AND STORMWATER APPURTENANCES AS A RESULT OF SITE DEVELOPMENT.
- THE QUANTITY OF MATERIALS STORED ON THE PROJECT SITE SHALL BE LIMITED, AS MUCH AS PRACTICAL, TO THAT QUANTITY REQUIRED TO PERFORM THE WORK IN AN ORDERLY SEQUENCE. ALL MATERIALS STORED ON-SITE SHALL BE STORED IN A NEAT, ORDERLY MANNER, IN THEIR ORIGINAL CONTAINERS, WITH ORIGINAL MANUFACTURER'S LABELS.
- NO CHEMICALS ARE TO BE USED BY THE CONTRACTOR, WHICH HAVE THE POTENTIAL TO BE RELEASED IN STORMWATER UNLESS PERMISSION FOR THE USE OF A SPECIFIC CHEMICAL IS GRANTED IN WRITING BY THE ECM ADMINISTRATOR. IN GRANTING THE USE OF SUCH CHEMICALS, SPECIAL CONDITIONS AND MONITORING MAY BE REQUIRED.
- BULK STORAGE STRUCTURES FOR PETROLEUM PRODUCTS AND OTHER CHEMICALS SHALL HAVE ADEQUATE PROTECTION SO AS TO CONTAIN ALL SPILLS AND PREVENT ANY SPILLED MATERIAL FROM ENTERING STATE WATERS, INCLUDING ANY SURFACE OR SUBSURFACE STORM DRAINAGE SYSTEM OR FACILITIES.
- NO PERSON SHALL CAUSE THE IMPEDIMENT OF STORMWATER FLOW IN THE FLOW LINE OF THE CURB AND GUTTER OR IN THE DITCHLINE.
- INDIVIDUALS SHALL COMPLY WITH THE "COLORADO WATER QUALITY CONTROL ACT" (TITLE 25, ARTICLE 8, CRS), AND THE "CLEAN WATER ACT" (33 USC 1344), IN ADDITION TO THE REQUIREMENTS INCLUDED IN THE DCM VOLUME II AND THE ECM APPENDIX I. ALL APPROPRIATE PERMITS MUST BE OBTAINED BY THE CONTRACTOR PRIOR TO CONSTRUCTION (NPDES, FLOODPLAIN, 404, FUGITIVE DUST, ETC.). IN THE EVENT OF CONFLICTS BETWEEN THESE REQUIREMENTS AND LAWS, RULES, OR REGULATIONS OF OTHER FEDERAL, STATE, OR COUNTY AGENCIES, THE MORE RESTRICTIVE LAWS, RULES, OR REGULATIONS SHALL APPLY.
- ALL CONSTRUCTION TRAFFIC MUST ENTER/EXIT THE SITE AT APPROVED CONSTRUCTION ACCESS POINTS.
- PRIOR TO ACTUAL CONSTRUCTION THE PERMITTEE SHALL VERIFY THE LOCATION OF EXISTING UTILITIES.
- A WATER SOURCE SHALL BE AVAILABLE ON SITE DURING EARTHWORK OPERATIONS AND UTILIZED AS REQUIRED TO MINIMIZE DUST FROM EARTHWORK EQUIPMENT AND WIND.
- THE SOILS REPORTS WILL BE PREPARED BY RMG AND SHALL BE CONSIDERED A PART OF THESE PLANS.
- AT LEAST TEN DAYS PRIOR TO THE ANTICIPATED START OF CONSTRUCTION, FOR PROJECTS THAT WILL DISTURB 1 ACRE OR MORE, THE OWNER OR OPERATOR OF CONSTRUCTION ACTIVITY SHALL SUBMIT A PERMIT APPLICATION FOR STORMWATER DISCHARGE TO THE COLORADO DEPARTMENT OF PUBLIC HEALTH AND ENVIRONMENT, WATER QUALITY DIVISION. THE APPLICATION CONTAINS CERTIFICATION OF COMPLETION OF A STORMWATER MANAGEMENT PLAN (SWMP), OF WHICH THIS GRADING AND EROSION CONTROL PLAN MAY BE A PART. FOR INFORMATION OR APPLICATION MATERIALS CONTACT:

COLORADO DEPARTMENT OF PUBLIC HEALTH AND ENVIRONMENT  
WATER QUALITY CONTROL DIVISION  
WOOD - PERMITS  
4300 CHERRY CREEK DRIVE SOUTH  
DENVER, CO 80246-1530  
ATTN: PERMITS UNIT

**CORE**  
**ENGINEERING GROUP**  
15004 1ST AVENUE S.  
BURNSVILLE, MN 55306  
PH: 719.570.1100  
CONTACT: RICHARD L. SCHINDLER, P.E.  
EMAIL: Rls@cegi.com

DATE  
DESCRIPTION  
NO.

PREPARED FOR:  
**LORSON, LLC**  
212 N. WASHBACH AVE., SUITE 301  
COLORADO SPRINGS, COLORADO 80903  
CONTACT: JEFF MARK

PROJECT:  
**LORSON BLVD**  
LORSON BLVD-OLD GLORY DR  
COLORADO SPRINGS, COLORADO

DRAWN: RLS  
DESIGNED: RLS  
CHECKED: RLS

**GENERAL NOTES**  
**LORSON BLVD FROM JCC TO**  
**STINGRAY LN CONSTRUCTION PLANS**

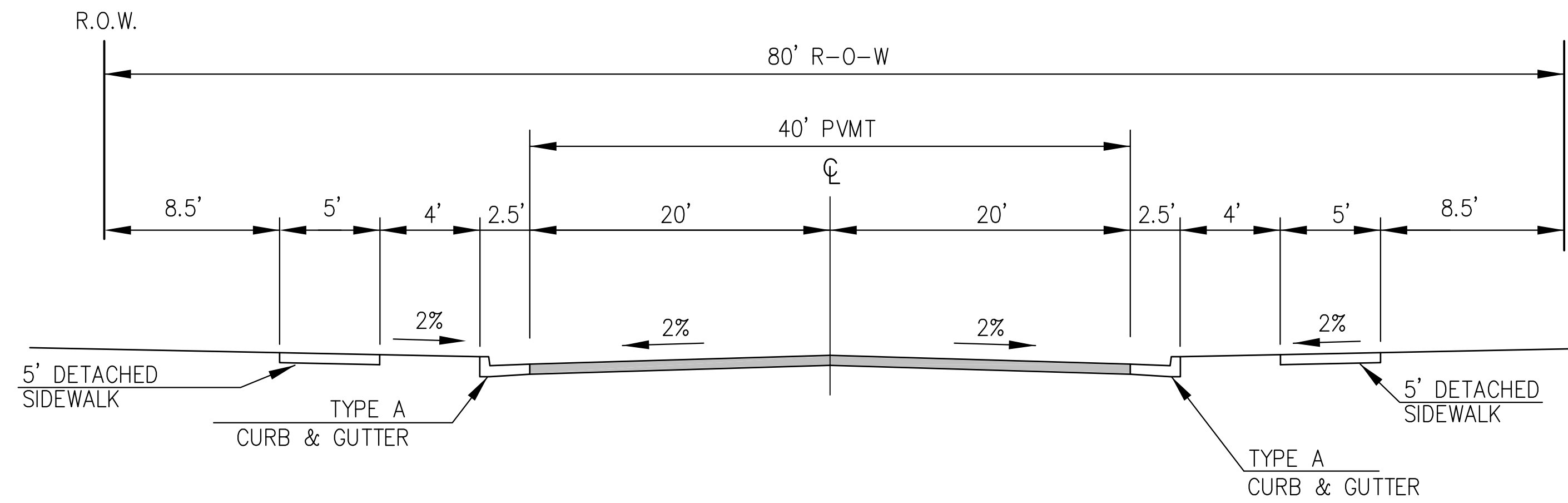


DATE:  
AUGUST 30, 2018

PROJECT NO.  
100.043

SHEET NUMBER  
C1.2

TOTAL SHEETS: 5



DESIGN SPEED: 40 MPH  
 POSTED SPEED: 35 MPH

**TYPICAL SECTION 80' R.O.W.  
 RESIDENTIAL URBAN COLLECTOR**  
 NOT TO SCALE  
 LORSON BOULEVARD

NOTE:  
 Pavement section to be determined  
 by Hveem analysis and design. Design  
 to be approved by El Paso County PCD  
 Engineering

**CORE**  
**ENGINEERING GROUP**  
 15004 1ST AVENUE S.  
 BURNSVILLE, MN 55306  
 PH: 719.570.1100  
 CONTACT: RICHARD L. SCHINDLER, P.E.  
 EMAIL: Rich@cegi.com

DATE: \_\_\_\_\_  
 DESCRIPTION: \_\_\_\_\_  
 NO. \_\_\_\_\_  
 PREPARED FOR:  
**LORSON, LLC**  
 212 N. WASHACH AVE., SUITE 301  
 COLORADO SPRINGS, COLORADO 80903  
 CONTACT: JEFF MARK

PROJECT:  
**LORSON BLVD**  
 LORSON BLVD--OLD GLORY DR  
 COLORADO SPRINGS, COLORADO

DRAWN: RLS  
 DESIGNED: RLS  
 CHECKED: RLS

**TYPICAL STREET SECTIONS**

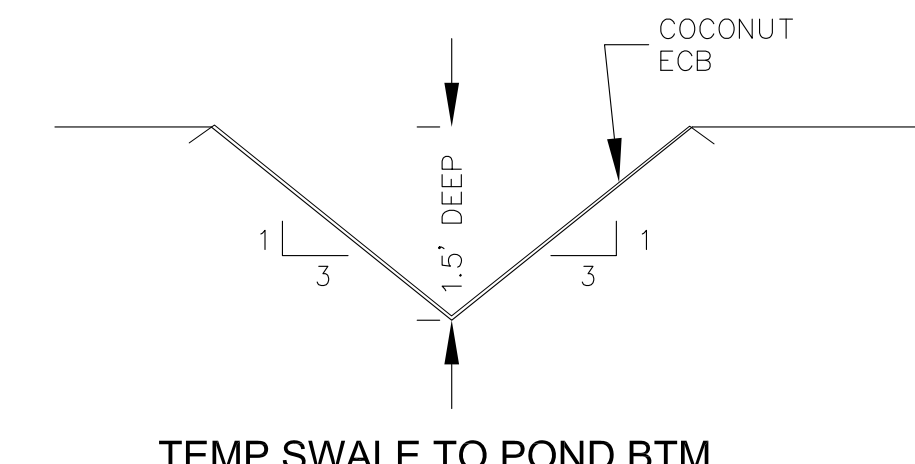
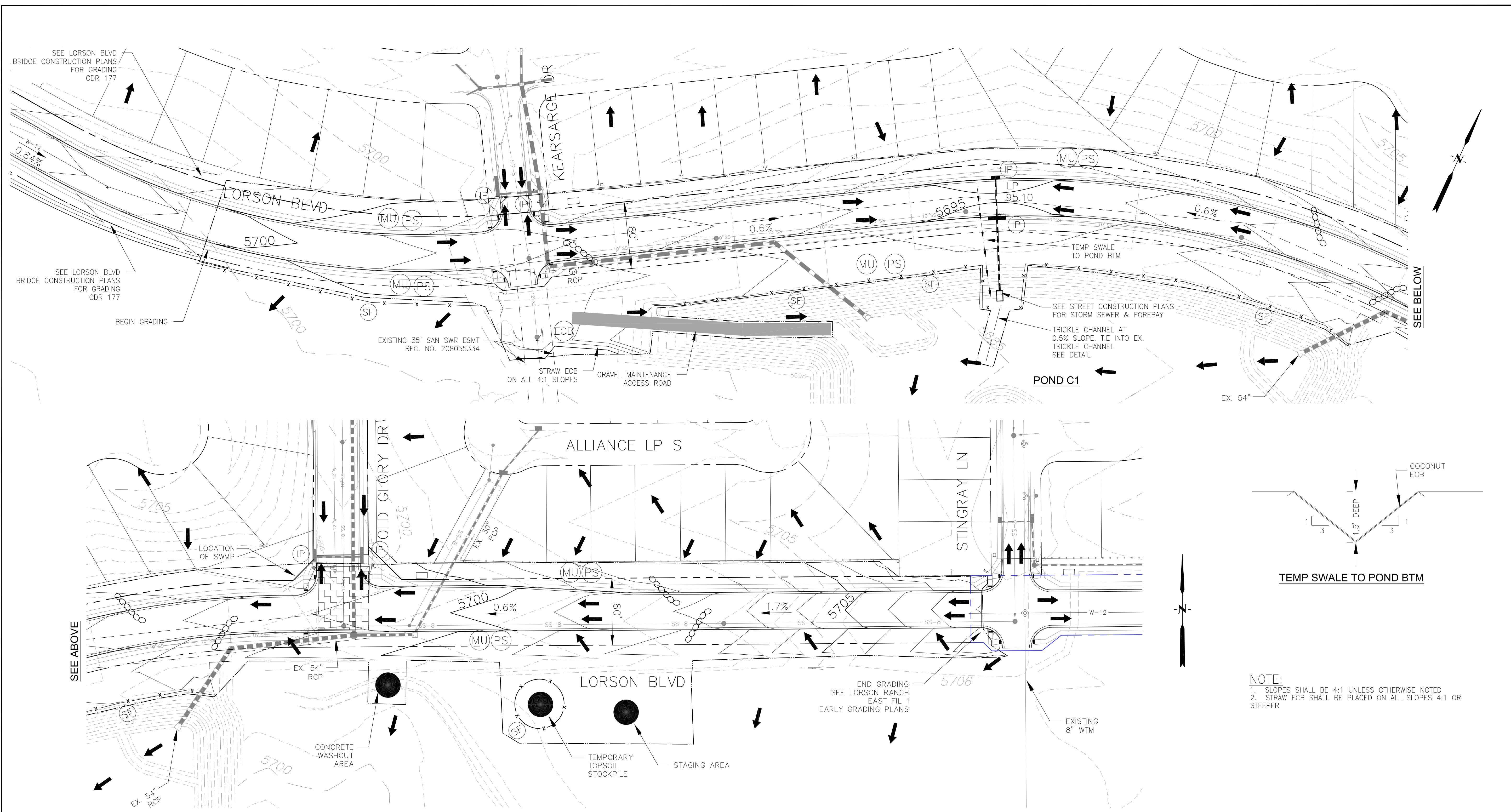


DATE:  
 AUGUST 30, 2018

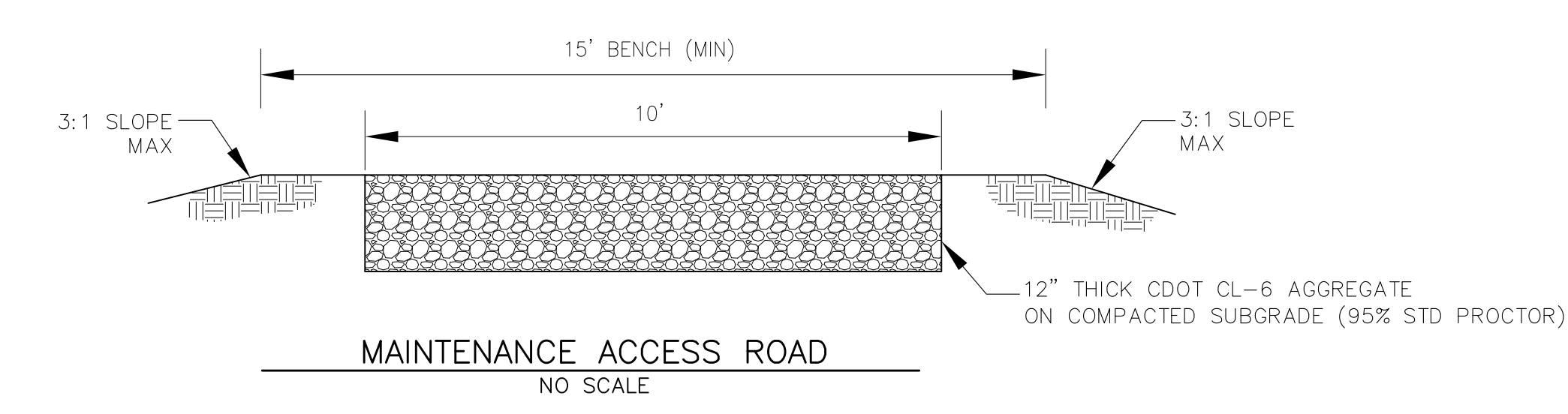
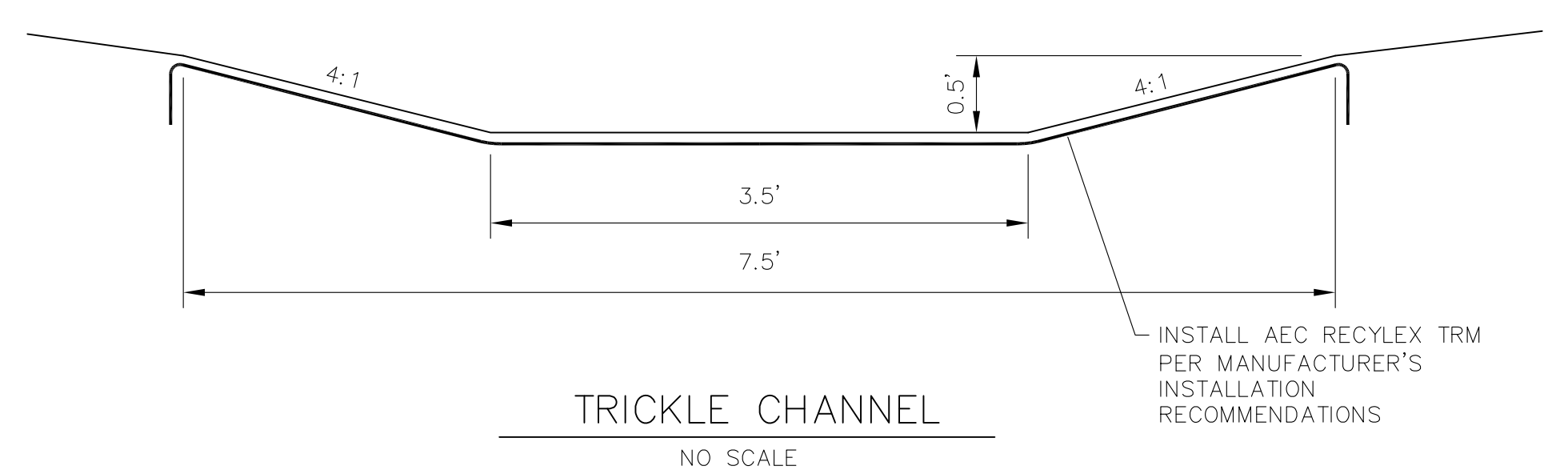
PROJECT NO.  
 100.043

SHEET NUMBER  
 C1.3

TOTAL SHEETS: 5

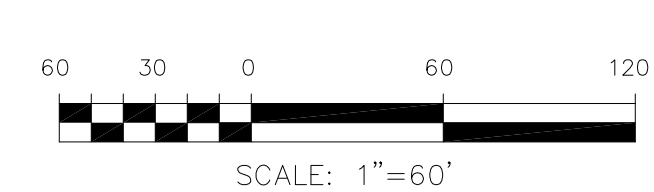


**NOTE:**  
 1. SLOPES SHALL BE 4:1 UNLESS OTHERWISE NOTED.  
 2. STRAW ECB SHALL BE PLACED ON ALL SLOPES 4:1 OR STEEPER



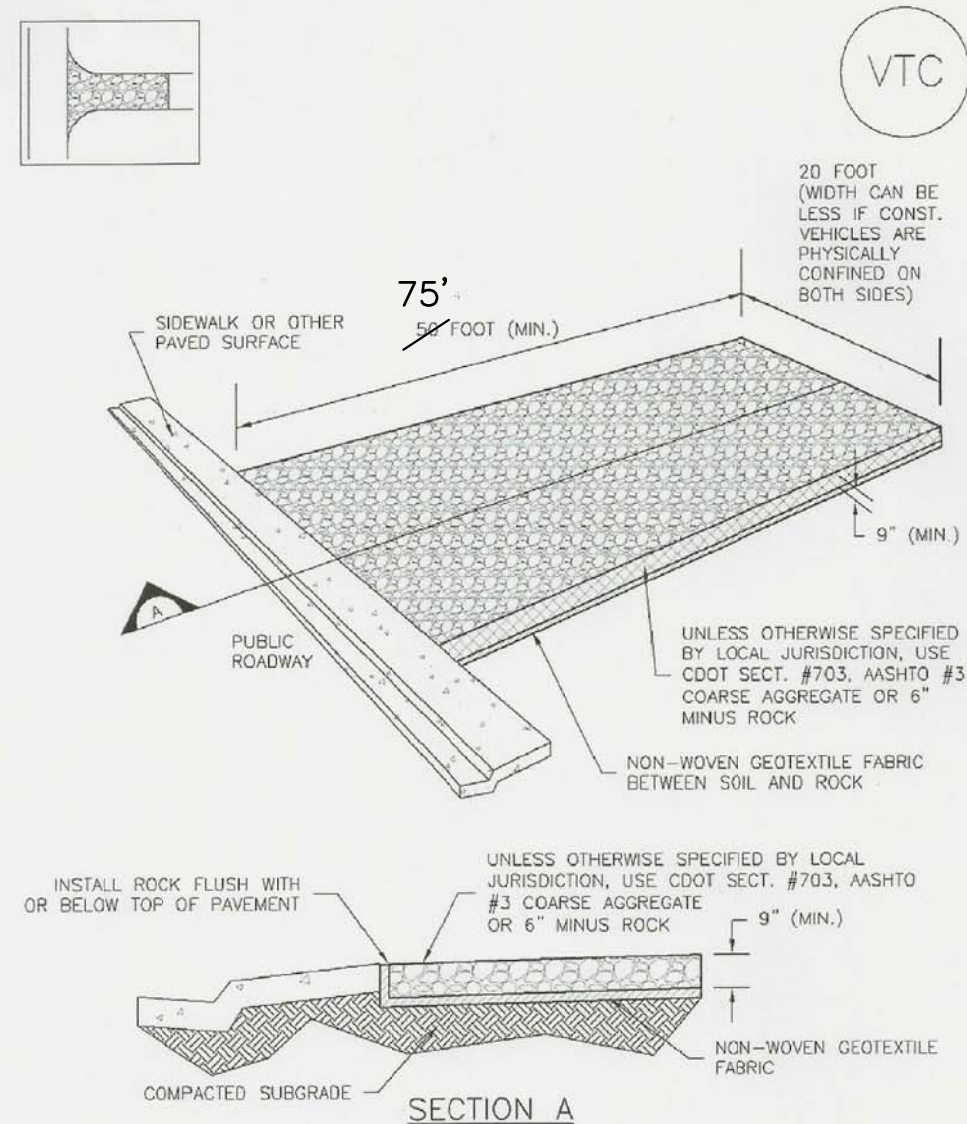
- LEGEND**
- 5721 - - - - - EXISTING MINOR CONTOUR
  - 5720 - - - - - EXISTING MAJOR CONTOUR
  - 5720 ——— PROPOSED CONTOUR
  - - - - - EXISTING STORM SEWER
  - - - - - PROPOSED STORM SEWER
  - - - - - LIMITS OF CONSTRUCTION
  - ← RUNOFF FLOW DIRECTION
  - ▨ VEHICLE TRACKING CONTROL
  - CHECK DAM (SD-3-62)
  - IP INLET PROTECTION
  - SF PERIMETER EROSION CONTROL SILT FENCE OR EROSION LOG
  - MU MULCHING
  - PS PERMANENT SEEDING
  - ECB EROSION CONTROL BLANKET

<b>CORE ENGINEERING GROUP</b>	
1500 S. AVENUE S. BOULDER, CO 80506 PH: 719.570.1100 CONTACT: RICHARD L. SCHINDLER, P.E. EMAIL: Rich@ceg.com	
PREPARED FOR: <b>LORSON, LLC</b> 212 N. WAHSATCH AVE, SUITE 301 COLORADO SPRINGS, COLORADO 80903 (719) 635-3200 CONTACT: JEFF MARK	PROJECT: <b>LORSON BLVD</b> LORSON BLVD - OLD GLORY DR COLORADO SPRINGS, COLORADO
DATE: _____ DESCRIPTION: _____ NO: _____	DRAWN: RLS DESIGNED: RLS CHECKED: RLS
<b>FINAL GRADING AND EROSION CONTROL PLAN</b>	
DATE: AUGUST 30, 2018	
PROJECT NO. 100.043	
SHEET NUMBER C4.1	
TOTAL SHEETS: 5	



**Vehicle Tracking Control (VTC)**

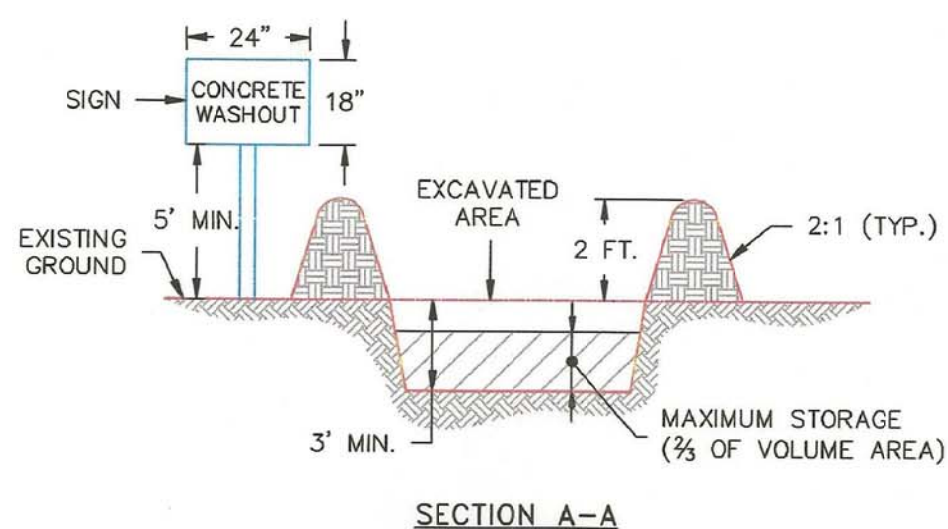
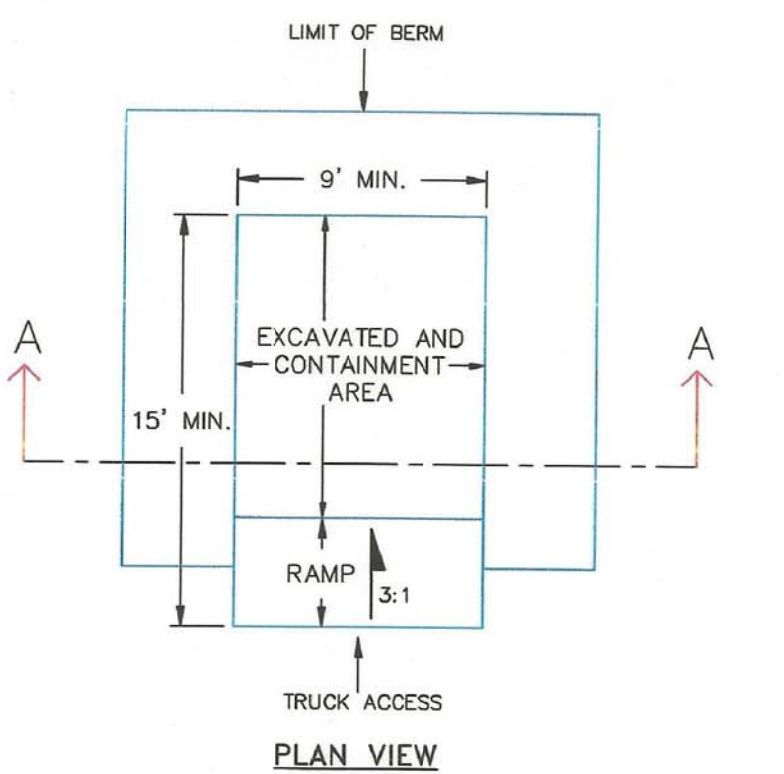
SM-4



VTC-1. AGGREGATE VEHICLE TRACKING CONTROL

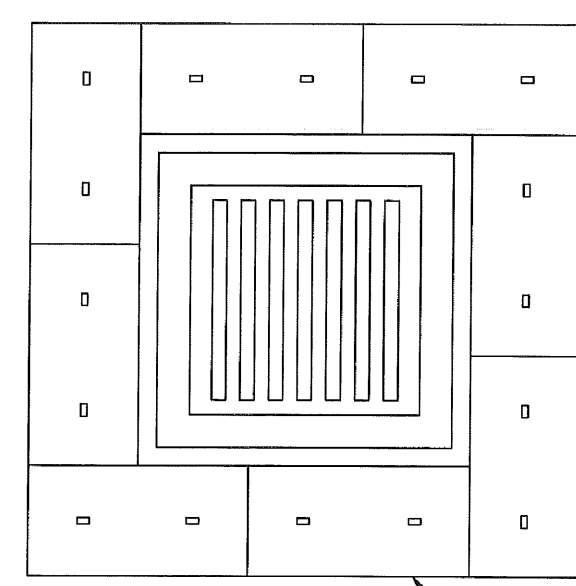
November 2010 Urban Drainage and Flood Control District Urban Storm Drainage Criteria Manual Volume 3 VTC-3

DATE APPROVED: 1/1/08	CONCRETE WASHOUT STRUCTURE
DESIGNED BY: John A. McCarty	STANDARD DRAWING
DEPARTMENT OF TRANSPORTATION	REVISION DATE: 7/17/07 FILE NAME: SD_3-84



NOTES:  
1. SIGN MATERIAL, EXCAVATION, AND RESTORATION ARE INCLUDED IN THE COST OF THE CONCRETE WASHOUT STRUCTURE.  
2. EROSION BALES MAY BE USED AS AN ALTERNATIVE FOR THE BERM.

DATE APPROVED: 1/1/08	CONCRETE WASHOUT STRUCTURE
DESIGNED BY: John A. McCarty	STANDARD DRAWING
DEPARTMENT OF TRANSPORTATION	REVISION DATE: 7/17/07 FILE NAME: SD_3-84



STRAW BALE INLET PROTECTION NOTES

**STRAW BALE INLET PROTECTION NOTES**

- INSTALLATION REQUIREMENTS**
- INLET PROTECTION SHALL BE INSTALLED IMMEDIATELY AFTER CONSTRUCTION OF INLET.
  - BALES ARE TO BE PLACED IN A SINGLE ROW AROUND THE INLET WITH THE END OF THE BALES TIGHTLY ABUTTING ONE ANOTHER.
  - SEE STRAW BALE BARRIER FIGURE SBB-2 FOR INSTALLATION REQUIREMENTS.
- MAINTENANCE REQUIREMENTS**
- CONTRACTOR SHALL INSPECT STRAW BALE INLET PROTECTION IMMEDIATELY AFTER EACH RAINFALL, AT LEAST DAILY DURING PROLONGED RAINFALL, AND WEEKLY DURING PERIODS OF NO RAINFALL.
  - DAMAGED OR INEFFECTIVE INLET PROTECTION SHALL PROMPTLY BE REPAIRED. REPLACING BALES IF NECESSARY, AND UNREINFORCED BALES NEED TO BE REPAIRED WITH COMPACTED BACKFILL MATERIAL.
  - SEDIMENT SHALL BE REMOVED FROM BEHIND STRAW BALES WHEN IT ACCUMULATES TO APPROXIMATELY 1/3 THE HEIGHT OF THE BARRIER.
  - INLET PROTECTION SHALL BE REMOVED WHEN ADEQUATE VEGETATIVE COVER IS ATTAINED WITHIN THE DRAINAGE AREA AS APPROVED BY THE CITY.

City of Colorado Springs Stormwater Quality Figure IP-2 Straw Bale Inlet Protection Construction Detail and Maintenance Requirements

SEED MIX TABLE		
GRASS MIX FOR QUICK REVEGETATION ALL SITES:		
GRASS	VARIETY	AMOUNT IN PLS LBS PER ACRE
CRESTED WHEAT GRASS	EPHRAIM OR HYCREST	4.0
PERENNIAL RYE	LINN	2.0
WESTERN WHEAT GRASS	BARTON	3.0
SMOOTH BROME GRASS	LINCOLN OR MANCHAR	5.0
SIDEOATS GRAMA	EL RENO	2.5
		TOTAL 16.5 LBS
GRASS MIX FOR SANDY SOILS:		
GRASS	VARIETY	AMOUNT IN PLS LBS PER ACRE
SIDEOATS GRAMA	EL RENO	3.0
WESTERN WHEAT GRASS	BARTON	2.5
SLENDER WHEAT GRASS	NATIVE	2.0
LITTLE BLUESTEM	PASTURA	2.0
SAND DROPS-EED	NATIVE	0.5
SWITCH GRASS	NEBRASKA 28	3.0
WEEPING LOVE GRASS	MORPHA	1.0
		TOTAL 14.0 LBS
GRASS MIX FOR HEAVIER SOIL AREAS:		
GRASS	VARIETY	AMOUNT IN PLS LBS PER ACRE
WESTERN WHEAT GRASS	BARTON	5.0
SIDEOATS GRAMA	EL RENO	3.0
SLENDER WHEAT GRASS	SODAR	2.5
SMOOTH BROME	LINCOLN OR MANCHAR	4.0
CRESTEDWHEAT GRASS	EPHRAIM	3.0
		TOTAL 17.5 LBS

**CORE ENGINEERING GROUP**  
1500 S. 1ST AVENUE, SUITE 3506  
P.O. BOX 79, 870, 1100  
CONTACT: RICHARD L. SCHINDLER, P.E.  
EMAIL: Rich@ceg1.com

DATE: \_\_\_\_\_  
DESCRIPTION: \_\_\_\_\_  
NO. \_\_\_\_\_  
PROJECT: **LORSON, LLC**  
212 N. WAHSATCH AVE, SUITE 301  
COLORADO SPRINGS, COLORADO 80903  
CONTACT: JEFF MARK

DRAWN: RLS  
DESIGNED: RLS  
CHECKED: RLS

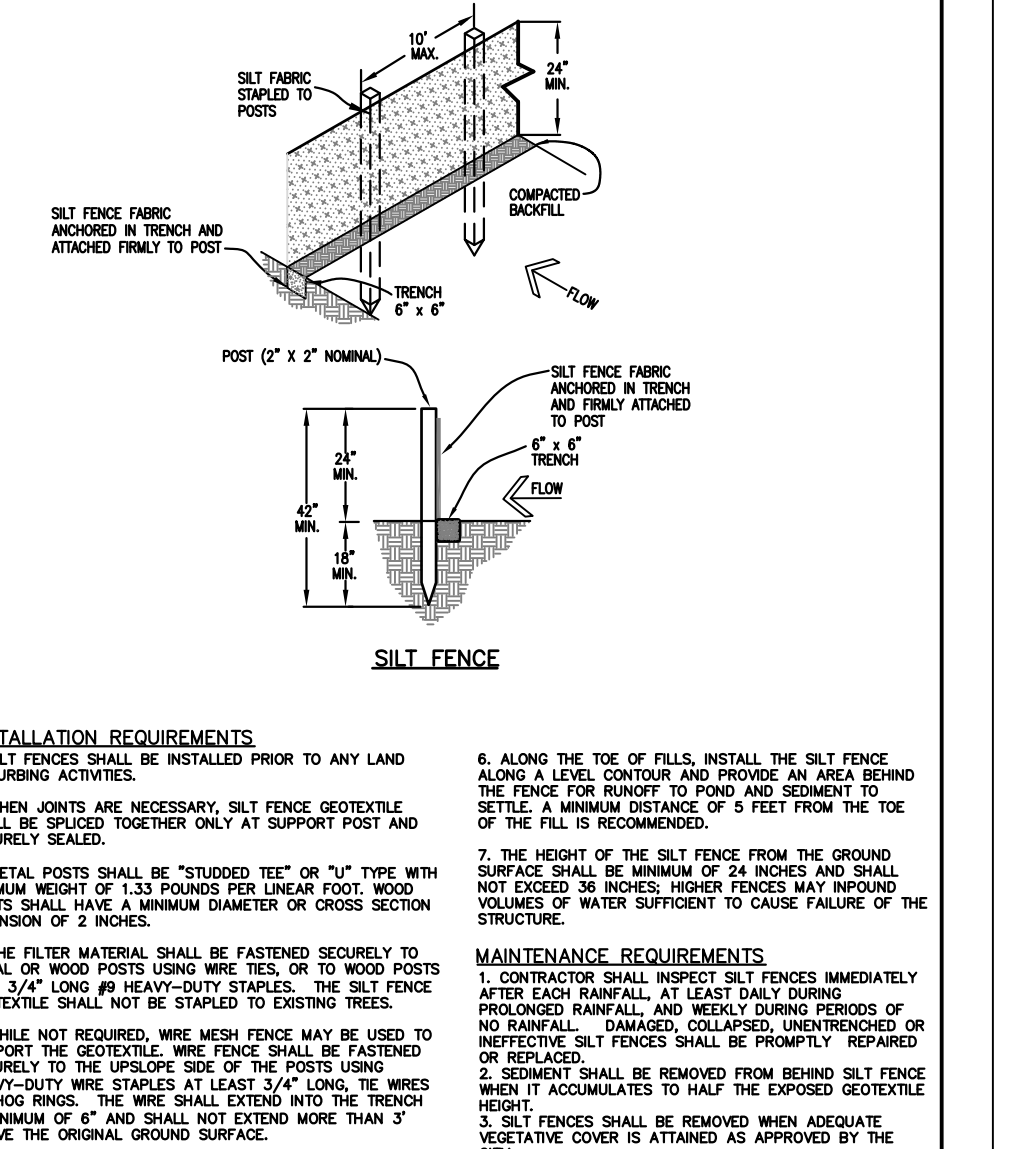


Figure SF-2 Silt Fence Construction Detail and Maintenance Requirements

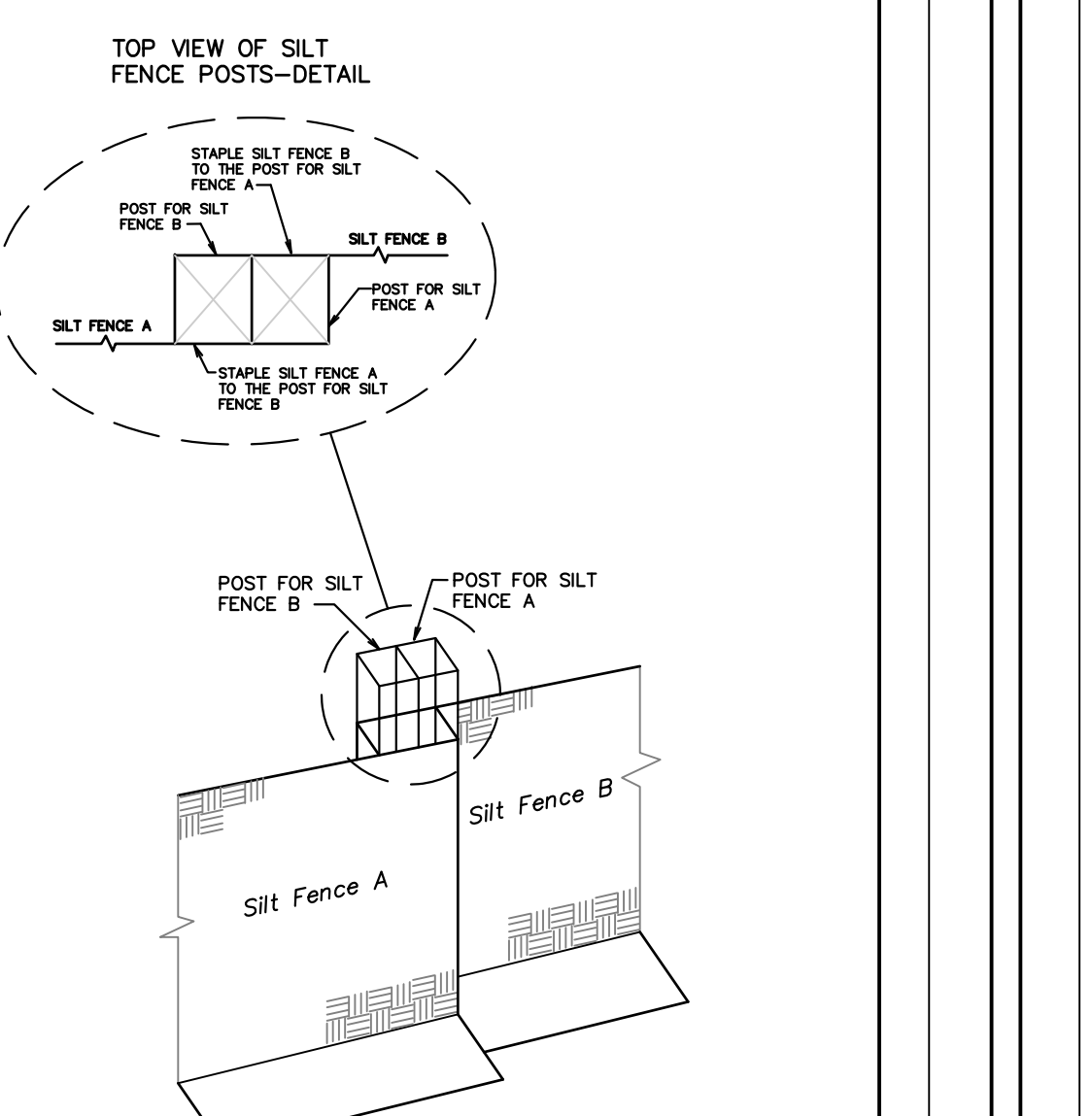
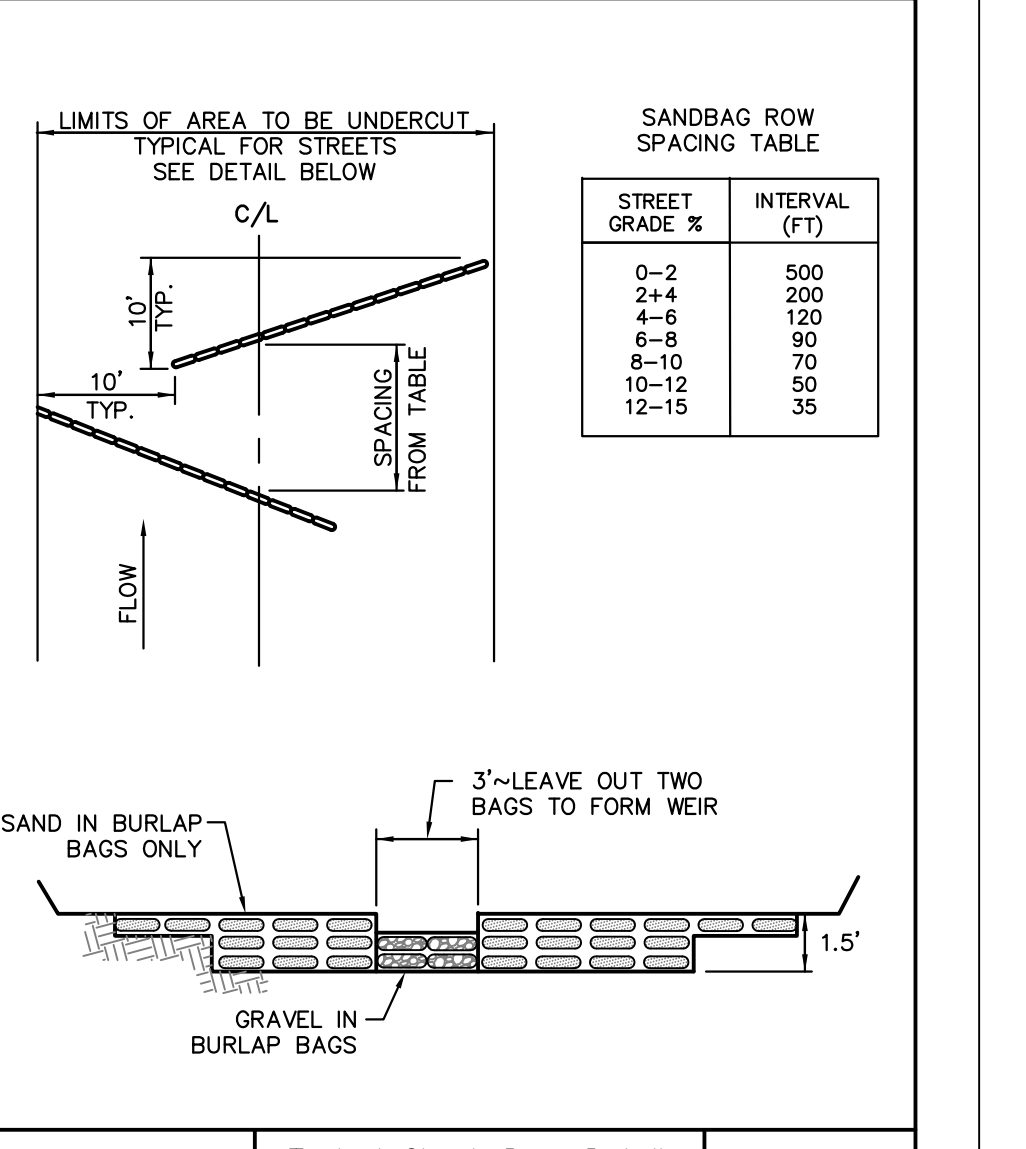
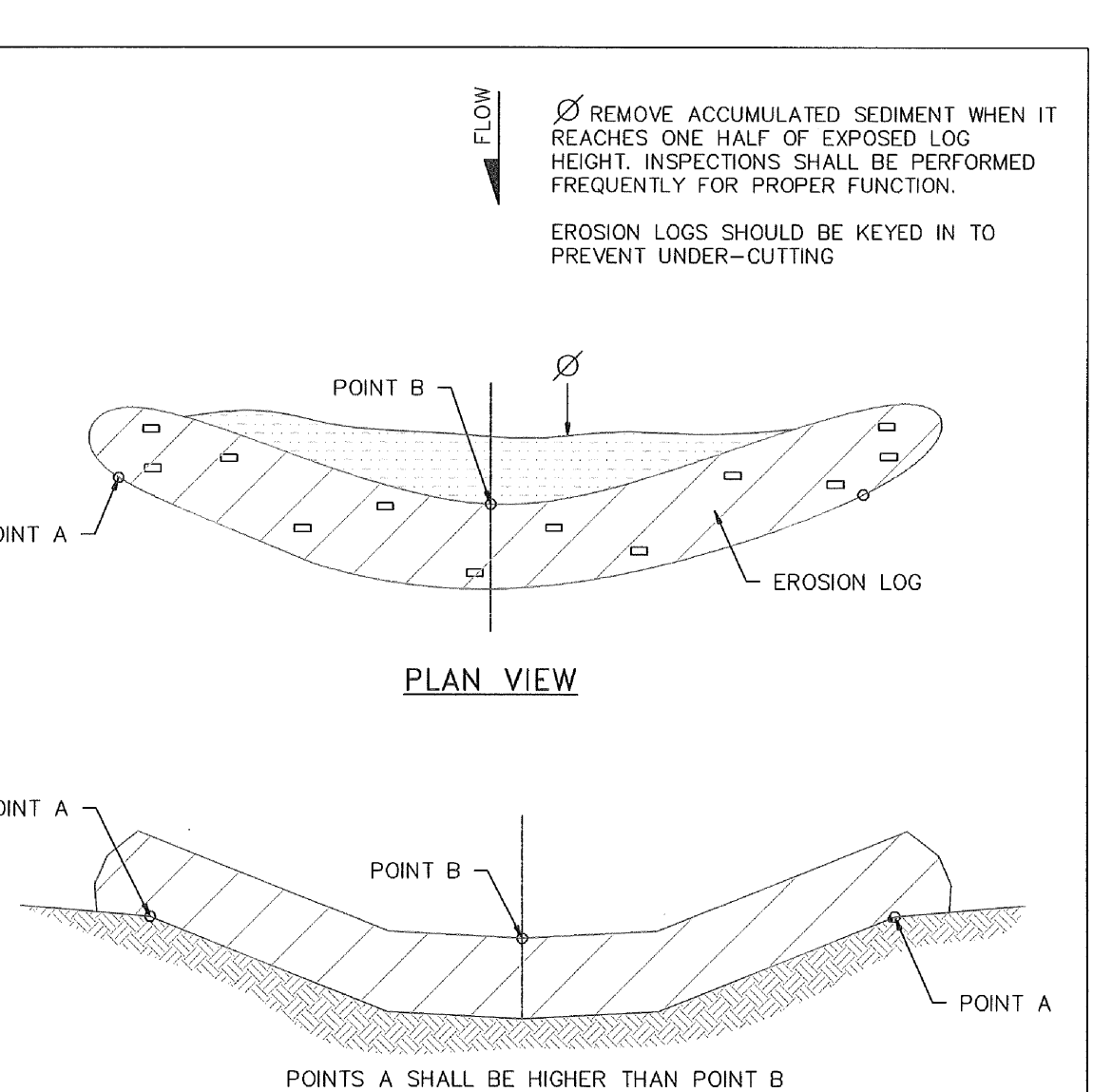


Figure SF-3 Silt Fence Joint Tying Construction Detail and Maintenance Requirements



Typical Check Dam Detail Standard Drawing

DATE APPROVED: 11/10/04	REVISION DATE: 11/10/04	FILE NAME: SD_3-62
-------------------------	-------------------------	--------------------



EROSION LOG DETAIL DITCH INSTALLATION

DATE APPROVED: 1/1/08	REVISION DATE: 7/17/07	FILE NAME: SD_3-85
-----------------------	------------------------	--------------------



**GRADING AND EROSION CONTROL DETAILS**



DATE: AUGUST 30, 2018  
PROJECT NO. 100.043  
SHEET NUMBER C10.1  
TOTAL SHEETS: 5

**APPENDIX C**

**STORMWATER INSPECTION REPORT**

## Stormwater Inspection Report

Project Name and Location: \_\_\_\_\_

Inspector Name and Title: \_\_\_\_\_ Director: \_\_\_\_\_

Date/Time of Inspection: \_\_\_\_\_ Weather Conditions: \_\_\_\_\_

Schedule Completion Date: \_\_\_\_\_ Construction Stage (circle all that apply):

Clearing/Grubbing Paving Rough Grading Infrastructure Building Construction Final

Grading Final Stabilization Terminate Permit \_\_\_\_\_

Type of Control	Describe status, identify problems, maintenance needs, or non-conformance with details or temporary alteration	Problem addressed (date and description of corrective action)
<b>Structural:</b>		
Silt Fence <input type="checkbox"/> OK <input type="checkbox"/> N/A	<input type="checkbox"/> Tears/Holes <input type="checkbox"/> Burial <input type="checkbox"/> Sed. Accum. <input type="checkbox"/> Sediment bypass	
Const. Exit <input type="checkbox"/> OK <input type="checkbox"/> N/A	<input type="checkbox"/> Voids Filled <input type="checkbox"/> Trackout	
Check Dam <input type="checkbox"/> OK <input type="checkbox"/> N/A	<input type="checkbox"/> Sediment Accumulation	
Inlet Protection <input type="checkbox"/> OK <input type="checkbox"/> N/A	<input type="checkbox"/> Sed. Accum. <input type="checkbox"/> Sed. Bypass <input type="checkbox"/> Application not appropriate	
Diversion Ditch/Berm <input type="checkbox"/> OK <input type="checkbox"/> N/A	<input type="checkbox"/> Erosion <input type="checkbox"/> Stabilization	
Sediment Trap <input type="checkbox"/> OK <input type="checkbox"/> N/A	<input type="checkbox"/> Sediment Accumulation	
Sediment Basin <input type="checkbox"/> OK <input type="checkbox"/> N/A	<input type="checkbox"/> Sed. Accumulation <input type="checkbox"/> Bank erosion <input type="checkbox"/> Stabilization	
Discharge Point <input type="checkbox"/> OK <input type="checkbox"/> N/A	<input type="checkbox"/> Erosion <input type="checkbox"/> Sediment Discharge	
Material Storage/Secondary Contain. <input type="checkbox"/> OK <input type="checkbox"/> N/A	<input type="checkbox"/> Not shown on Site Map <input type="checkbox"/> Spills <input type="checkbox"/> Out of design. area <input type="checkbox"/> Improper storage: chemicals; solvents; paint; fuels, etc.	

Other Structural Controls <input type="checkbox"/> OK <input type="checkbox"/> N/A		
<b>Non-Structural:</b>		
Good Housekeeping <input type="checkbox"/> OK <input type="checkbox"/> N/A	<input type="checkbox"/> Solid Waste <input type="checkbox"/> Sanitary Waste <input type="checkbox"/> Dust Control	

Project Name and Location: \_\_\_\_\_ Date: \_\_\_\_\_ Page 2

Equip. Wash/Maint. <input type="checkbox"/> OK <input type="checkbox"/> N/A	<input type="checkbox"/> Spills <input type="checkbox"/> Outside designated area	
Concrete Washout <input type="checkbox"/> OK <input type="checkbox"/> N/A	<input type="checkbox"/> Spills out of designated area <input type="checkbox"/> Not shown on Site Map	
<b>Stabilization:</b>		
Seed/Sod Mulching, Geotextile, Blankets <input type="checkbox"/> OK <input type="checkbox"/> N/A	<input type="checkbox"/> Need Temp. stab. <input type="checkbox"/> Need final stab. <input type="checkbox"/> Health of veg.	
<b>Record Keeping:</b>		
Entrance Postings <input type="checkbox"/> OK <input type="checkbox"/> N/A	<input type="checkbox"/> NOI <input type="checkbox"/> Permits <input type="checkbox"/> Construction Site Notice	
SWPPP Notebook <input type="checkbox"/> OK <input type="checkbox"/> N/A	<input type="checkbox"/> Missing Sections <input type="checkbox"/> Missing Forms	
Site Map/Details <input type="checkbox"/> OK <input type="checkbox"/> N/A	<input type="checkbox"/> Activities not up-to-date <input type="checkbox"/> Deviate from details <input type="checkbox"/> BMP Additions <input type="checkbox"/> Modifications <input type="checkbox"/> Not up-to-date	
Other <input type="checkbox"/> OK <input type="checkbox"/> N/A		

I certify under penalty of law that this document and all attachments were prepared under my direction or supervision in accordance with a system designed to assure that qualified personnel properly gathered and evaluated the information submitted. Based on my inquiry of the person or persons who manage the system, or those persons directly responsible for gathering the information, the information is, to the best of my knowledge and belief, true, accurate, and complete. I am aware that there are significant penalties for submitting false information, including the possibility of fine and imprisonment for knowing violations.

\_\_\_\_\_  
Inspector's Signature

Date

**APPENDIX D**

**SPILL REPORT FORM**



## Spill Report Form

Project Type and Location: \_\_\_\_\_

Spill Reported by: \_\_\_\_\_

Date/Time Spill: \_\_\_\_\_

Describe spill location and events leading to spill: \_\_\_\_\_

\_\_\_\_\_

Material spilled: \_\_\_\_\_

Source of spill: \_\_\_\_\_

Amount spilled: \_\_\_\_\_ Amount spilled to waterway: \_\_\_\_\_

Containment or clean up action: \_\_\_\_\_

\_\_\_\_\_

Approximate depth of soil excavation: \_\_\_\_\_

List Injuries or Personal Contamination: \_\_\_\_\_

Action to be taken to prevent future spills: \_\_\_\_\_

\_\_\_\_\_

Modifications to the SWPPP necessary due to this spill: \_\_\_\_\_

\_\_\_\_\_

Agencies notified of the spill: \_\_\_\_\_

\_\_\_\_\_

I certify under penalty of law that this document and all attachments were prepared under my direction or supervision in accordance with a system designed to assure that qualified personnel properly gather and evaluate the information submitted. Based on my inquiry of the person or persons who manage the system, or those persons directly responsible for gathering the information, the information submitted is, to the best of my knowledge and belief, true, accurate, and complete. I am aware that there are significant penalties for submitting false information, including the possibility of fine and imprisonment for knowing violations.

\_\_\_\_\_  
Contractor Superintendent

\_\_\_\_\_  
Date

**APPENDIX E**

**RECORD OF STABILIZATION AND  
CONSTRUCTION ACTIVITY DATES**

## **SITE STABILIZATION and CONSTRUCTION ACTIVITY DATES**

A record of dates when BMPs are installed or removed, stabilization measures are initiated, major grading activities occur, and construction activities temporarily or permanently cease on a portion of the site shall be maintained until final site stabilization is achieved.

### MAJOR STABILIZATION AND GRADING ACTIVITIES

Description of Activity: \_\_\_\_\_

Site Contractor: \_\_\_\_\_ Begin (date): \_\_\_\_\_  
End(date): \_\_\_\_\_

Location: \_\_\_\_\_

\_\_\_\_\_

\_\_\_\_\_

\_\_\_\_\_

\_\_\_\_\_

Description of Activity: \_\_\_\_\_

Site Contractor: \_\_\_\_\_ Begin (date): \_\_\_\_\_  
End(date): \_\_\_\_\_

Location: \_\_\_\_\_

\_\_\_\_\_

\_\_\_\_\_

\_\_\_\_\_

\_\_\_\_\_

\_\_\_\_\_

Description of Activity: \_\_\_\_\_

Site Contractor: \_\_\_\_\_ Begin (date): \_\_\_\_\_  
End(date): \_\_\_\_\_

Location: \_\_\_\_\_

\_\_\_\_\_

\_\_\_\_\_

**APPENDIX F**

**FEDERAL, STATE, OR LOCAL STORM WATER OR OTHER  
ENVIRONMENTAL INSPECTOR SITE VISIT LOG**

# Federal, State, or Local Storm Water or other Environmental Inspector Site Visit Log

Inspectors Name: \_\_\_\_\_ Agency: \_\_\_\_\_

Contractors Representative Present: \_\_\_\_\_

Others Present: \_\_\_\_\_

Comments: \_\_\_\_\_

Time and Date: \_\_\_\_\_ Report Prepared:  
Yes No

Inspectors Name: \_\_\_\_\_ Agency: \_\_\_\_\_

Contractors Representative Present: \_\_\_\_\_

Others Present: \_\_\_\_\_

Comments: \_\_\_\_\_

Time and Date: \_\_\_\_\_ Report Prepared:  
Yes No

Inspectors Name: \_\_\_\_\_ Agency: \_\_\_\_\_

Contractors Representative Present: \_\_\_\_\_

Others Present: \_\_\_\_\_

Comments: \_\_\_\_\_

Time and Date: \_\_\_\_\_ Report Prepared:  
Yes No

**APPENDIX G**  
**GENERAL PERMIT**