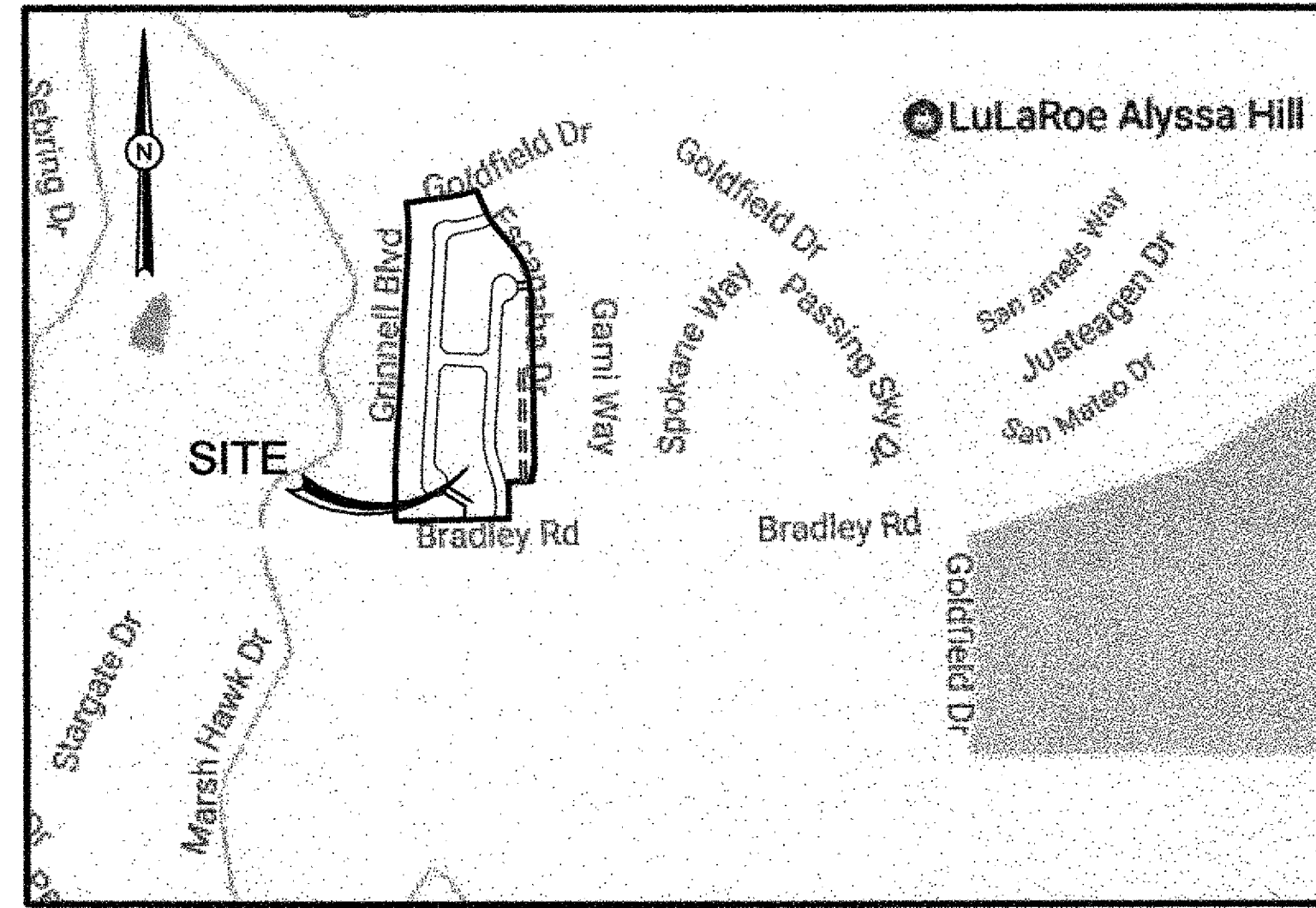


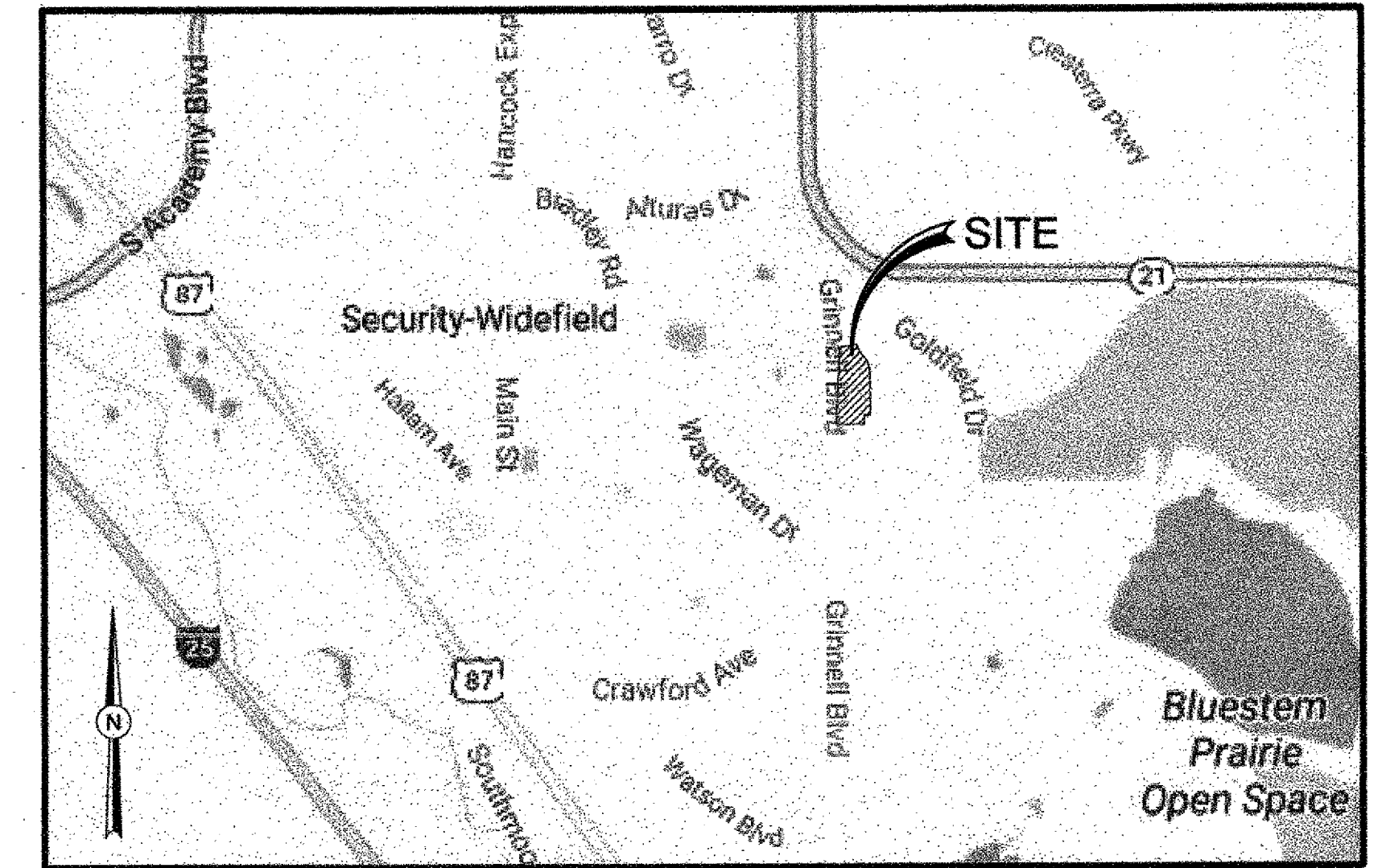
# GRADING AND EROSION CONTROL PLANS

## SPRINGS AT WATERVIEW

EL PASO COUNTY, STATE OF COLORADO



**LOCATION MAP**  
NTS



**VICINITY MAP**  
NTS

**LEGAL DESCRIPTION**

KNOW ALL MEN BY THESE PRESENTS:

THAT WATERVIEW INVESTMENTS LLC, BEING THE OWNER OF THE FOLLOWING DESCRIBED PARCEL OF LAND:

THAT INCLUDES:

PARCEL A, WATERVIEW PUMP STATION SUBDIVISION EXEMPTION AN EXEMPTION PLAT OF TRACT D OF PAINTED SKY AT WATERVIEW FILING NO. 1, RECORDED JUNE 22, 2015 UNDER RECEPTION NO. 215713634, COUNTY OF EL PASO, STATE OF COLORADO.

TOTAL AREA CONTAINS 15.68 ACRES, MORE OR LESS.

**BASIS OF BEARING**

BEARINGS ARE BASED IN THE SOUTHERLY LINE OF THE NORTHWEST QUARTER OF SECTION 7, TOWNSHIP 15 SOUTH, RANGE 65 WEST OF THE 6th PRINCIPAL MERIDIAN. SAID LINE IS MONUMENTED ON THE EAST END BY A 3 1/4" ALUMINUM CAP, LS# 17496 AND ON THE WEST END BY A 3 1/4" ALUMINUM CAP, LS# 17496 AND IS ASSUMED TO BEAR S89°01'29"W.

**BENCHMARK**

BENCHMARK FOR THIS SITE IS CSU FIMS MONUMENT "5501V", A RAILROAD SPIKE SET IN CONCRETE NEXT TO A RAILROAD RAIL FENCE POST SOUTHWEST OF A 90° CURVE IN POWERS BOULEVARD. SAID POINT APPARENTLY MONUMENTS THE CORNER COMMON TO SECTIONS 6 AND 7, T15S, R65W, AND SECTIONS 1 AND 12, T15S, R66W OF THE 6TH P.M.

ELEVATION = 5905.44

**TRAFFIC CONTROL NOTE**

THE CONTRACTOR SHALL PROVIDE ALL TRAFFIC CONTROL DEVICES AND MONITORING NECESSARY TO SAFELY COMPLETE THE WORK SHOWN IN THESE CONSTRUCTION DOCUMENTS IN CONFORMANCE WITH M.U.T.C.D. GUIDELINES. THE CONTRACTOR SHALL COMPLETE ALL NECESSARY WORK FOR PLAN REVIEW, PERMITS AND PROCESSING. TRAFFIC CONTROL WILL NOT BE PAID FOR SEPARATELY BUT IS INCLUDED IN THE COST OF THE PROJECT.

**OWNER/DEVELOPER**

ROS EQUITY HOLDING - INDEPENDENCE, LLC  
31 N. TEJON STREET, SUITE 500  
COLORADO SPRINGS, CO 80903  
719-491-1590  
CONTACT: RAYMOND O'SULLIVAN & JAMES BULLER

**ENGINEER/PLANNER**

DAKOTA SPRINGS ENGINEERING, LLC  
31 N. TEJON, SUITE 500  
COLORADO SPRINGS, CO 80903  
719-227-7388  
CONTACT: CHARLES K. COTHERN, P.E.

**EL PASO COUNTY**

PLANNING AND COMMUNITY DEVELOPMENT  
2880 INTERNATIONAL CIRCLE, SUITE 110  
COLORADO SPRINGS, COLORADO 80910  
719-520-6695

**SECURITY FIRE PROTECTION DISTRICT**

400 SECURITY BOULEVARD  
SECURITY, COLORADO 80911  
719-392-7121

**WATER/SANITARY**

SECURITY WATER AND SANITATION DISTRICTS  
231 SECURITY BOULEVARD  
COLORADO SPRINGS, COLORADO 80921  
719-392-3475

**GAS**

COLORADO SPRINGS UTILITIES  
1521 HANCOCK EXPRESSWAY  
COLORADO SPRINGS, COLORADO 80903  
719-668-8111

**ELECTRIC**

COLORADO SPRINGS UTILITIES  
1521 HANCOCK EXPRESSWAY  
COLORADO SPRINGS, COLORADO 80903  
719-668-8111

**TELEPHONE**

CENTURYLINK  
7925 INDUSTRY ROAD  
COLORADO SPRINGS, COLORADO 80939  
719-278-4651

**CABLE**

COMCAST  
P.O. BOX 173838  
DENVER, COLORADO 80217  
970-641-4774

**DEVELOPER'S STATEMENT**

I, THE DEVELOPER HAVE READ AND WILL COMPLY WITH ALL OF THE REQUIREMENTS OF THE GRADING AND EROSION CONTROL PLAN.

BUSINESS NAME: ROS EQUITY HOLDING - INDEPENDENCE, LLC

*Raymond O'Sullivan*  
BY: RAYMOND O'SULLIVAN

*James Buller*  
AND BY: JAMES BULLER

TITLE: MANAGER

TITLE: MANAGER

ADDRESS: 31 N. TEJON, SUITE 500  
COLORADO SPRINGS, CO 80903

**EL PASO COUNTY CONSTRUCTION APPROVAL**

COUNTY PLAN REVIEW IS PROVIDED ONLY FOR GENERAL CONFORMANCE WITH COUNTY DESIGN CRITERIA. THE COUNTY IS NOT RESPONSIBLE FOR THE ACCURACY AND ADEQUACY OF THE DESIGN, DIMENSIONS, AND/OR ELEVATIONS WHICH SHALL BE CONFIRMED AT THE JOB SITE. THE COUNTY THROUGH THE APPROVAL OF THIS DOCUMENT ASSUMES NO RESPONSIBILITY FOR COMPLETENESS AND/OR ACCURACY OF THIS DOCUMENT.

FILED IN ACCORDANCE WITH THE REQUIREMENTS OF THE EL PASO COUNTY LAND DEVELOPMENT CODE, DRAINAGE CRITERIA MANUALS VOL. 1 AND 2, AND ENGINEERING CRITERIA MANUAL AS AMENDED.

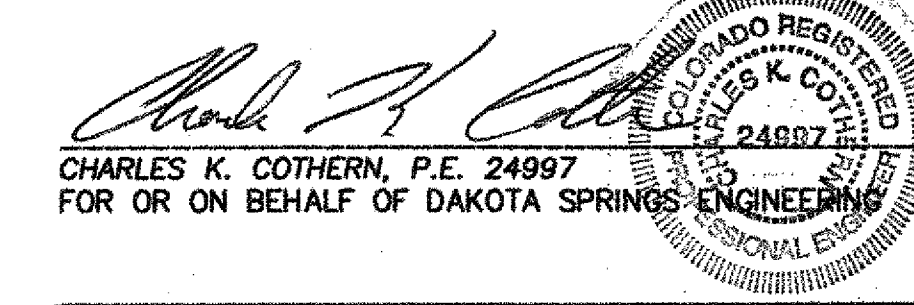
IN ACCORDANCE WITH ECM SECTION 1.12, THESE CONSTRUCTION DOCUMENTS WILL BE VALID FOR CONSTRUCTION FOR A PERIOD OF 2 YEARS FROM THE DATE SIGNED BY THE EL PASO COUNTY ENGINEER. IF CONSTRUCTION HAS NOT STARTED WITHIN THOSE 2 YEARS, THE PLANS WILL NEED TO BE RESUBMITTED FOR APPROVAL, INCLUDING PAYMENT OF REVIEW FEES AT THE PLANNING AND COMMUNITY DEVELOPMENT DIRECTORS DISCRETION.



JENNIFER IRVINE, P.E.  
COUNTY ENGINEER/ECM ADMINISTRATOR

**ENGINEER'S APPROVAL**

THIS GRADING AND EROSION CONTROL PLAN WAS PREPARED UNDER MY DIRECTION AND SUPERVISION AND IS CORRECT TO THE BEST OF MY KNOWLEDGE AND BELIEF SAID PLAN HAS BEEN PREPARED ACCORDING TO THE CRITERIA ESTABLISHED BY THE COUNTY FOR GRADING AND EROSION CONTROL PLANS. I ACCEPT RESPONSIBILITY FOR ANY NEGLIGENT ACTS, ERRORS, OR OMISSIONS ON MY PART IN PREPARING THIS PLAN.



CHARLES K. COTHERN, P.E. 24997  
FOR OR ON BEHALF OF DAKOTA SPRINGS ENGINEERING

SF 16-017



**SHEET LIST**

NO.	Title
1	TITLE SHEET
2	GENERAL NOTES
3	GENERAL DETAILS
4	HORIZONTAL CONTROL PLAN
5	GRADING & EROSION CONTROL PLAN
6	EROSION CONTROL DETAILS (1 OF 2)
7	EROSION CONTROL DETAILS (2 OF 2)

PCD File No. SF-16-017

REVISIONS:			ENGINEER:	
NO.	DESCRIPTION	DATE	DESIGNED BY:	DATE:
			J.M.	3/1/18
			J.M.	3/1/18
			J.M.	10/1/18

48 HOURS BEFORE YOU DIG,  
CALL UTILITY LOCATORS  
**1-800-922-1987**  
CITY OF COLORADO SPRINGS DEPT. OF UTILITIES  
GAS, ELECTRIC, WATER AND WASTEWATER

**DSE** Dakota Springs Engineering  
31 N. TEJON, SUITE 500  
COLORADO SPRINGS, CO 80903  
P: (719) 227-7388  
F: (719) 227-7392

PROJECT: SPRINGS AT WATERVIEW  
SHEET TITLE: TITLE SHEET  
FROM: \_\_\_\_\_ TO: \_\_\_\_\_  
JOB NO. 0102.1 SHEET 1 OF 7



**STANDARD NOTES FOR EL PASO COUNTY GRADING AND EROSION CONTROL PLANS**

- CONSTRUCTION MAY NOT COMMENCE UNTIL A CONSTRUCTION PERMIT IS OBTAINED FROM DEVELOPMENT SERVICES AND A PRECONSTRUCTION CONFERENCE IS HELD WITH DEVELOPMENT SERVICES INSPECTIONS.
- STORMWATER DISCHARGES FROM CONSTRUCTION SITES SHALL NOT CAUSE OR THREATEN TO CAUSE POLLUTION, CONTAMINATION, OR DEGRADATION OF STATE WATERS. ALL WORK AND EARTH DISTURBANCE SHALL BE DONE IN A MANNER THAT MINIMIZES POLLUTION OF ANY ON-SITE OR OFF SITE WATERS, INCLUDING WETLANDS.
- NOTWITHSTANDING ANYTHING DEPICTED IN THESE PLANS IN WORDS OR GRAPHIC REPRESENTATION, ALL DESIGN AND CONSTRUCTION RELATED TO ROADS, STORM DRAINAGE AND EROSION CONTROL SHALL CONFORM TO THE STANDARDS AND REQUIREMENTS OF THE MOST RECENT VERSION OF THE RELEVANT ADOPTED EL PASO COUNTY STANDARDS, INCLUDING THE LAND DEVELOPMENT CODE, THE ENGINEERING CRITERIA MANUAL, THE DRAINAGE CRITERIA MANUAL, AND THE DRAINAGE CRITERIA MANUAL VOLUME 2. ANY DEVIATIONS TO REGULATIONS AND STANDARDS MUST BE REQUESTED, AND APPROVED, IN WRITING.
- A SEPARATE STORMWATER MANAGEMENT PLAN (SWMP) FOR THIS PROJECT SHALL BE COMPLETED AND AN EROSION AND STORMWATER QUALITY CONTROL PERMIT (ESQCP) ISSUED PRIOR TO COMMENCING CONSTRUCTION. DURING CONSTRUCTION THE SWMP IS THE RESPONSIBILITY OF THE DESIGNATED STORMWATER MANAGER, SHALL BE LOCATED ON SITE AT ALL TIMES AND SHALL BE KEPT UP TO DATE WITH WORK PROGRESS AND CHANGES IN THE FIELD.
- ONCE THE ESQCP HAS BEEN ISSUED, THE CONTRACTOR MAY INSTALL THE INITIAL STAGE EROSION AND SEDIMENT CONTROL BMPs AS INDICATED ON THE GEC. A PRECONSTRUCTION MEETING BETWEEN THE CONTRACTOR, ENGINEER, AND EL PASO COUNTY WILL BE HELD PRIOR TO ANY CONSTRUCTION. IT IS THE RESPONSIBILITY OF THE APPLICANT TO COORDINATE THE MEETING TIME AND PLACE WITH COUNTY DSD INSPECTIONS STAFF.
- SOIL EROSION CONTROL MEASURES FOR ALL SLOPES, CHANNELS, DITCHES, OR ANY DISTURBED LAND AREA SHALL BE COMPLETED WITHIN 21 CALENDAR DAYS AFTER FINAL GRADING, OR FINAL EARTH DISTURBANCE, HAS BEEN COMPLETED. DISTURBED AREAS AND STOCKPILES WHICH ARE NOT AT FINAL GRADE BUT WILL REMAIN DORMANT FOR LONGER THAN 30 DAYS SHALL ALWAYS BE MULCHED WITHIN 21 DAYS AFTER INTERIM GRADING. AN AREA THAT IS GOING TO REMAIN IN AN INTERIM STATE FOR MORE THAN 60 DAYS SHALL ALSO BE SEEDED. ALL TEMPORARY SOIL EROSION CONTROL MEASURES AND BMPs SHALL BE MAINTAINED UNTIL PERMANENT SOIL EROSION CONTROL MEASURES ARE IMPLEMENTED AND ESTABLISHED.
- TEMPORARY SOIL EROSION CONTROL FACILITIES SHALL BE REMOVED AND EARTH DISTURBANCE AREAS GRADED AND STABILIZED WITH PERMANENT SOIL EROSION CONTROL MEASURES PURSUANT TO STANDARDS AND SPECIFICATION PRESCRIBED IN THE DCM VOLUME II AND THE ENGINEERING CRITERIA MANUAL (ECM) APPENDIX I.
- ALL PERSONS ENGAGED IN EARTH DISTURBANCE SHALL IMPLEMENT AND MAINTAIN ACCEPTABLE SOIL EROSION AND SEDIMENT CONTROL MEASURES INCLUDING BMPs IN CONFORMANCE WITH THE EROSION CONTROL TECHNICAL STANDARDS OF THE DRAINAGE CRITERIA MANUAL (DCM) VOLUME II AND IN ACCORDANCE WITH THE STORMWATER MANAGEMENT PLAN (SWMP).
- ALL TEMPORARY EROSION CONTROL FACILITIES INCLUDING BMPs AND ALL PERMANENT FACILITIES INTENDED TO CONTROL EROSION OF ANY EARTH DISTURBANCE OPERATIONS, SHALL BE INSTALLED AS DEFINED IN THE APPROVED PLANS, THESWMP AND THE DCM VOLUME II AND MAINTAINED THROUGHOUT THE DURATION OF THE EARTH DISTURBANCE OPERATION.
- ANY EARTH DISTURBANCE SHALL BE CONDUCTED IN SUCH A MANNER SO AS TO EFFECTIVELY REDUCE ACCELERATED SOIL EROSION AND RESULTING SEDIMENTATION. ALL DISTURBANCES SHALL BE DESIGNED, CONSTRUCTED, AND COMPLETED SO THAT THE EXPOSED AREA OF ANY DISTURBED LAND SHALL BE LIMITED TO THE SHORTEST PRACTICAL PERIOD OF TIME.
- ANY TEMPORARY OR PERMANENT FACILITY DESIGNED AND CONSTRUCTED FOR THE CONVEYANCE OF STORMWATER AROUND, THROUGH, OR FROM THE EARTH DISTURBANCE AREA SHALL BE DESIGNED TO LIMIT THE DISCHARGE TO A NON-EROSIVE VELOCITY.
- CONCRETE WASH WATER SHALL BE CONTAINED AND DISPOSED OF IN ACCORDANCE WITH THE SWMP. NO WASH WATER SHALL BE DISCHARGED TO OR ALLOWED TO RUNOFF TO STATE WATERS, INCLUDING ANY SURFACE OR SUBSURFACE STORM DRAINAGE SYSTEM OR FACILITIES.
- EROSION CONTROL BLANKETING IS TO BE USED ON SLOPES STEEPER THAN 3:1.
- BUILDING, CONSTRUCTION, EXCAVATION, OR OTHER WASTE MATERIALS SHALL NOT BE TEMPORARILY PLACED OR STORED IN THE STREET, ALLEY, OR OTHER PUBLIC WAY, UNLESS IN ACCORDANCE WITH AN APPROVED TRAFFIC CONTROL PLAN. BMPs MAY BE REQUIRED BY EL PASO COUNTY ENGINEERING IF DEEMED NECESSARY, BASED ON SPECIFIC CONDITIONS AND CIRCUMSTANCES.
- VEHICLE TRACKING OF SOILS AND CONSTRUCTION DEBRIS OFF-SITE SHALL BE MINIMIZED. MATERIALS TRACKED OFFSITE SHALL BE CLEANED UP AND PROPERLY DISPOSED OF IMMEDIATELY.
- CONTRACTOR SHALL BE RESPONSIBLE FOR THE REMOVAL OF ALL WASTES FROM THE CONSTRUCTION SITE FOR DISPOSAL IN ACCORDANCE WITH LOCAL AND STATE REGULATORY REQUIREMENTS. NO CONSTRUCTION DEBRIS, TREE SLASH, BUILDING MATERIAL WASTES OR UNUSED BUILDING MATERIALS SHALL BE BURIED, DUMPED, OR DISCHARGED AT THE SITE.
- THE OWNER, SITE DEVELOPER, CONTRACTOR, AND/OR THEIR AUTHORIZED AGENTS SHALL BE RESPONSIBLE FOR THE REMOVAL OF ALL CONSTRUCTION DEBRIS, DIRT, TRASH, ROCK, SEDIMENT, AND SAND THAT MAY ACCUMULATE IN THE STORM SEWER OR OTHER DRAINAGE CONVEYANCE SYSTEM AND STORMWATER APPURTENANCES AS A RESULT OF SITE DEVELOPMENT.
- THE QUANTITY OF MATERIALS STORED ON THE PROJECT SITE SHALL BE LIMITED, AS MUCH AS PRACTICAL, TO THAT QUANTITY REQUIRED TO PERFORM THE WORK IN AN ORDERLY SEQUENCE. ALL MATERIALS STORED ON-SITE SHALL BE STORED IN A NEAT, ORDERLY MANNER, IN THEIR ORIGINAL CONTAINERS, WITH ORIGINAL MANUFACTURER'S LABELS.
- NO CHEMICALS ARE TO BE USED BY THE CONTRACTOR, WHICH HAVE THE POTENTIAL TO BE RELEASED IN STORMWATER UNLESS PERMISSION FOR THE USE OF A SPECIFIC CHEMICAL IS GRANTED IN WRITING BY THE ECM ADMINISTRATOR. IN GRANTING THE USE OF SUCH CHEMICALS, SPECIAL CONDITIONS AND MONITORING MAY BE REQUIRED.
- BULK STORAGE STRUCTURES FOR PETROLEUM PRODUCTS AND OTHER CHEMICALS SHALL HAVE ADEQUATE PROTECTION SO AS TO CONTAIN ALL SPILLS AND PREVENT ANY SPILLED MATERIAL FROM ENTERING STATE WATERS, INCLUDING ANY SURFACE OR SUBSURFACE STORM DRAINAGE SYSTEM OR FACILITIES.
- NO PERSON SHALL CAUSE THE IMPEDIMENT OF STORMWATER FLOW IN THE FLOW LINE OF THE CURB AND GUTTER OR IN THE DITCHLINE.
- INDIVIDUALS SHALL COMPLY WITH THE "COLORADO WATER QUALITY CONTROL ACT"(TITLE 25, ARTICLE 8, CRS), AND THE "CLEAN WATER ACT"(33 USC 1344), IN ADDITION TO THE REQUIREMENTS INCLUDED IN THE DCM VOLUME II AND THE ECM APPENDIX I. ALL APPROPRIATE PERMITS MUST BE OBTAINED BY THE CONTRACTOR PRIOR TO CONSTRUCTION (NPDES, FLOODPLAIN, 404, FUGITIVE DUST, ETC.). IN THE EVENT OF CONFLICTS BETWEEN THESE REQUIREMENTS AND LAWS, RULES, OR REGULATIONS OF OTHER FEDERAL, STATE, OR COUNTY AGENCIES, THE MORE RESTRICTIVE LAWS, RULES, OR REGULATIONS SHALL APPLY.
- ALL CONSTRUCTION TRAFFIC MUST ENTER/EXIT THE SITE AT APPROVED CONSTRUCTION ACCESS POINTS.
- PRIOR TO ACTUAL CONSTRUCTION THE PERMITEE SHALL VERIFY THE LOCATION OF EXISTING UTILITIES.
- A WATER SOURCE SHALL BE AVAILABLE ON SITE DURING EARTHWORK OPERATIONS AND UTILIZED AS REQUIRED TO MINIMIZE DUST FROM EARTHWORK EQUIPMENT AND WIND.
- THE SOILS REPORT FOR THIS SITE HAS BEEN PREPARED BY KUMAR AND ASSOCIATES AND SHALL BE CONSIDERED A PART OF THESE PLANS.
- AT LEAST TEN DAYS PRIOR TO THE ANTICIPATED START OF CONSTRUCTION, FOR PROJECTS THAT WILL DISTURB 1 ACRE OR MORE, THE OWNER OR OPERATOR OF CONSTRUCTION ACTIVITY SHALL SUBMIT A PERMIT APPLICATION FOR STORMWATER DISCHARGE TO THE COLORADO DEPARTMENT OF PUBLIC HEALTH AND ENVIRONMENT, WATER QUALITY DIVISION. THE APPLICATION CONTAINS CERTIFICATION OF COMPLETION OF A STORMWATER MANAGEMENT PLAN (SWMP), OF WHICH THIS GRADING AND EROSION CONTROL PLAN MAY BE A PART. FOR INFORMATION OR APPLICATION MATERIALS CONTACT:

COLORADO DEPARTMENT OF PUBLIC HEALTH AND ENVIRONMENT  
WATER QUALITY CONTROL DIVISION  
WQCD - PERMITS  
4300 CHERRY CREEK DRIVE SOUTH  
DENVER, CO 80246-1530  
ATTN: PERMITS UNIT

**STANDARD NOTES FOR EL PASO COUNTY CONSTRUCTION**

- ALL DRAINAGE AND ROADWAY CONSTRUCTION SHALL MEET THE STANDARDS AND SPECIFICATIONS OF THE CITY OF COLORADO SPRINGS/EL PASO COUNTY DRAINAGE CRITERIA MANUAL, VOLUMES 1 AND 2, AND THE EL PASO COUNTY ENGINEERING CRITERIA MANUAL.
- CONTRACTOR SHALL BE RESPONSIBLE FOR THE NOTIFICATION AND FIELD LOCATIONS OF ALL EXISTING UTILITIES, WHETHER SHOWN ON THE PLANS OR NOT, BEFORE BEGINNING CONSTRUCTION. LOCATION OF EXISTING UTILITIES SHALL BE VERIFIED BY THE CONTRACTOR PRIOR TO CONSTRUCTION. CALL 811 TO CONTACT THE UTILITY NOTIFICATION CENTER OF COLORADO (UNCC).
- CONTRACTOR SHALL KEEP A COPY OF THESE APPROVED PLANS, THE GRADING AND EROSION CONTROL PLAN, THE STORMWATER MANAGEMENT PLAN (SWMP), THE SOILS AND GEOTECHNICAL REPORT, AND THE APPROPRIATE DESIGN AND CONSTRUCTION STANDARDS AND SPECIFICATIONS AT THE JOB SITE AT ALL TIMES, INCLUDING THE FOLLOWING:
  - EL PASO COUNTY ENGINEERING CRITERIA MANUAL (ECM)
  - CITY OF COLORADO SPRINGS/EL PASO COUNTY DRAINAGE CRITERIA MANUAL, VOLUMES 1 AND 2
  - COLORADO DEPARTMENT OF TRANSPORTATION (CDOT) STANDARD SPECIFICATIONS FOR ROAD AND BRIDGE CONSTRUCTION
  - CDOT M & S STANDARDS
- NOTWITHSTANDING ANYTHING DEPICTED IN THESE PLANS IN WORDS OR GRAPHIC REPRESENTATION, ALL DESIGN AND CONSTRUCTION RELATED TO ROADS, STORM DRAINAGE AND EROSION CONTROL SHALL CONFORM TO THE STANDARDS AND REQUIREMENTS OF THE MOST RECENT VERSION OF EL PASO COUNTY STANDARDS, INCLUDING THE LAND DEVELOPMENT CODE, THE ENGINEERING CRITERIA MANUAL, THE DRAINAGE CRITERIA MANUAL, AND THE DRAINAGE CRITERIA MANUAL VOLUME 2. ANY DEVIATIONS FROM REGULATIONS AND STANDARDS MUST BE REQUESTED, AND APPROVED, IN WRITING. ANY MODIFICATIONS NECESSARY TO MEET CRITERIA AFTER-THE-FACT WILL BE ENTIRELY THE DEVELOPER'S RESPONSIBILITY TO RECTIFY.
- IT IS THE DESIGN ENGINEER'S RESPONSIBILITY TO ACCURATELY SHOW EXISTING CONDITIONS, BOTH ONSITE AND OFFSITE, ON THE CONSTRUCTION PLANS. ANY MODIFICATIONS NECESSARY DUE TO CONFLICTS, OMISSIONS, OR CHANGED CONDITIONS WILL BE ENTIRELY THE DEVELOPER'S RESPONSIBILITY TO RECTIFY.
- CONTRACTOR SHALL SCHEDULE A PRE-CONSTRUCTION MEETING WITH EL PASO COUNTY PLANNING AND COMMUNITY DEVELOPMENT (PCD) - INSPECTIONS, PRIOR TO STARTING CONSTRUCTION.
- IT IS THE CONTRACTOR'S RESPONSIBILITY TO UNDERSTAND THE REQUIREMENTS OF ALL JURISDICTIONAL AGENCIES AND TO OBTAIN ALL REQUIRED PERMITS, INCLUDING BUT NOT LIMITED TO EL PASO COUNTY EROSION AND STORMWATER QUALITY CONTROL PERMIT (ESQCP), REGIONAL BUILDING FLOODPLAIN DEVELOPMENT PERMIT, U.S. ARMY CORPS OF ENGINEERS-ISSUED 401 AND/OR 404 PERMITS, AND COUNTY AND STATE FUGITIVE DUST PERMITS.
- CONTRACTOR SHALL NOT DEVIATE FROM THE PLANS WITHOUT FIRST OBTAINING WRITTEN APPROVAL FROM THE DESIGN ENGINEER AND PCD. CONTRACTOR SHALL NOTIFY THE DESIGN ENGINEER IMMEDIATELY UPON DISCOVERY OF ANY ERRORS OR INCONSISTENCIES.
- ALL STORM DRAIN PIPE SHALL BE CLASS III RCP UNLESS OTHERWISE NOTED AND APPROVED BY PCD.
- CONTRACTOR SHALL COORDINATE GEOTECHNICAL TESTING PER ECM STANDARDS. PAVEMENT DESIGN SHALL BE APPROVED BY EL PASO COUNTY PCD PRIOR TO PLACEMENT OF CURB AND GUTTER AND PAVEMENT.
- ALL CONSTRUCTION TRAFFIC MUST ENTER/EXIT THE SITE AT APPROVED CONSTRUCTION ACCESS POINTS.
- SIGHT VISIBILITY TRIANGLES AS IDENTIFIED IN THE PLANS SHALL BE PROVIDED AT ALL INTERSECTIONS. OBSTRUCTIONS GREATER THAN 18 INCHES ABOVE FLOWLINE ARE NOT ALLOWED WITHIN SIGHT TRIANGLES.
- SIGNING AND STRIPING SHALL COMPLY WITH EL PASO COUNTY DOT AND MUTCD CRITERIA. [IF APPLICABLE, ADDITIONAL SIGNING AND STRIPING NOTES WILL BE PROVIDED.]
- CONTRACTOR SHALL OBTAIN ANY PERMITS REQUIRED BY EL PASO COUNTY PUBLIC SERVICES DEPARTMENT, INCLUDING WORK WITHIN THE RIGHT-OF-WAY AND SPECIAL TRANSPORT PERMITS.
- THE LIMITS OF CONSTRUCTION SHALL REMAIN WITHIN THE PROPERTY LINE UNLESS OTHERWISE NOTED. THE OWNER/DEVELOPER SHALL OBTAIN WRITTEN PERMISSION AND EASEMENTS, WHERE REQUIRED, FROM ADJOINING PROPERTY OWNER(S) PRIOR TO ANY OFF-SITE DISTURBANCE, GRADING, OR CONSTRUCTION.

**CONSTRUCTION NOTES**

- ALL WORK SHALL COMPLY WITH THE CODES AND POLICIES FOR EL PASO COUNTY.
- EXISTING TOPOGRAPHIC INFORMATION SHOWN ON THIS GRADING PLAN WAS OBTAINED FROM A TOPOGRAPHIC SURVEY AND PREVIOUS CONSTRUCTION DOCUMENTS. THE CONTRACTOR SHALL BE RESPONSIBLE TO EXAMINE THE SITE AND BE FAMILIAR WITH THE EXISTING CONDITIONS.
- DEPTH OF MOISTURE-DENSITY CONTROL FOR THIS PROJECT SHALL BE AS DICTATED BY THE GEOLOGIC HAZARD STUDY PREPARED BY ENTECH ENGINEERING CONSULTANTS, INC. DATED 3/15/17
- THE CONTRACTOR IS RESPONSIBLE FOR THE RE-ESTABLISHMENT OF ALL SURVEY MONUMENTS DISTURBED WITHIN THE PROJECT LIMITS.
- THE CONTRACTOR SHALL PROTECT ALL WORK AREAS AND FACILITIES FROM FLOODING AT ALL TIMES. AREAS AND FACILITIES SUBJECT TO FLOODING, REGARDLESS OF THE SOURCE OF WATER, SHALL BE PROMPTLY DEWATERED AND RESTORED.
- PRIOR TO PAVING OPERATIONS, THE ENTIRE SUBGRADE SHALL BE INSPECTED IN ACCORDANCE WITH THE GEOLOGIC HAZARD STUDY PREPARED BY ENTECH ENGINEERING CONSULTANTS, INC. DATED 3/15/17.
- SUBGRADE MATERIALS DEEMED UNSUITABLE BY THE GEOLOGIC HAZARD STUDY PREPARED BY ENTECH ENGINEERING CONSULTANTS, INC. DATED 3/15/17 SHALL BE EXCAVATED, DISPOSED OF AND REPLACED WITH APPROVED MATERIALS.
- FILL SHALL BE PLACED IN ACCORDANCE WITH THE GEOLOGIC HAZARD STUDY PREPARED BY ENTECH ENGINEERING CONSULTANTS, INC. DATED 3/15/17.
- THE CONTRACTOR IS RESPONSIBLE FOR PREVENTING AND CONTROLLING EROSION DURING CONSTRUCTION ACTIVITIES AT ALL TIMES DURING GRADING AND CONSTRUCTION. THE CONTRACTOR SHALL PROVIDE THE FOLLOWING EROSION AND SEDIMENT CONTROL MEASURES:
  - HAY BALE BARRIERS WHERE NEEDED AND/OR AS DIRECTED BY THE ENGINEER.
  - SILT FENCE WHERE NEEDED AND/OR AS DIRECTED BY THE ENGINEER.
  - TEMPORARY SEDIMENTATION BASINS WHERE NEEDED AND/OR AS DIRECTED BY THE ENGINEER.
  - MULCHING AND SEEDING OF EXCESSIVE SLOPED AREAS AS NEEDED OR AS DIRECTED BY THE ENGINEER.
  - TEMPORARY VEHICLE TRACKING CONTROL AS NEEDED AND/OR DIRECTED BY THE ENGINEER.
  - CONCRETE WASH AREAS.
  - INLET PROTECTION.
 THESE AND ALL EROSION CONTROL BEST MANAGEMENT PRACTICES AS SHOWN IN THE GRADING AND EROSION CONTROL PLANS SHALL BE STRICTLY ADHERED TO.
- FINISHED CONTOURS/SPOT ELEVATIONS HEREON REPRESENT FINISHED GRADES. ALL PAVEMENT SUBGRADES ARE BASED ON THE COMPOSITE ASPHALT PAVEMENT RECOMMENDATIONS MADE IN THE "GEOTECHNICAL STUDY" FOR THIS PROJECT.
- ALL GRADING SHALL CONFORM TO THE GEOTECHNICAL RECOMMENDATIONS FOR SPRINGS AT WATERVIEW PREPARED BY ENTECH ENGINEERING CONSULTANTS, INC. DATED 3/15/17.
- THERE MAY BE SOME TOPSOIL WITHIN SPRINGS AT WATERVIEW THAT IS NOT SUITABLE FOR RE-USE. CONTRACTOR SHALL AMEND THE TOPSOIL AS NECESSARY AND RE-SPREAD IN ACCORDANCE WITH THE GEOTECHNICAL RECOMMENDATIONS. IF TOPSOIL CANNOT BE AMENDED IT SHALL BE USED AS FILL WHERE NO FUTURE STRUCTURES OR ROADS WILL BE BUILT.

EPC 10/16/18



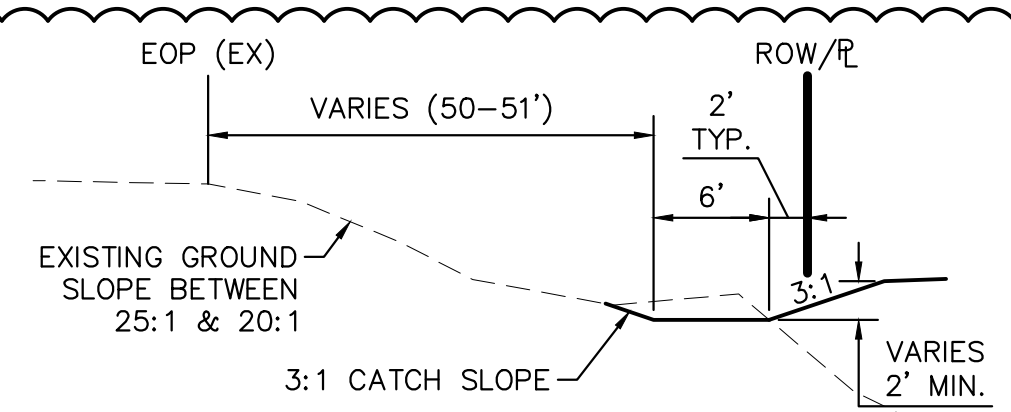
REVISIONS:		
NO.	DESCRIPTION	DATE

ENGINEER:  
DESIGNED BY: JM DATE: 3/2/18  
DRAWN BY: JM DATE: 3/2/18  
CHECKED BY: JM DATE: 10/1/18  
48 HOURS BEFORE YOU DIG,  
CALL UTILITY LOCATORS  
1-800-922-1987  
CITY OF COLORADO SPRINGS DEPT. OF UTILITIES  
GAS, ELECTRIC, WATER AND WASTEWATER

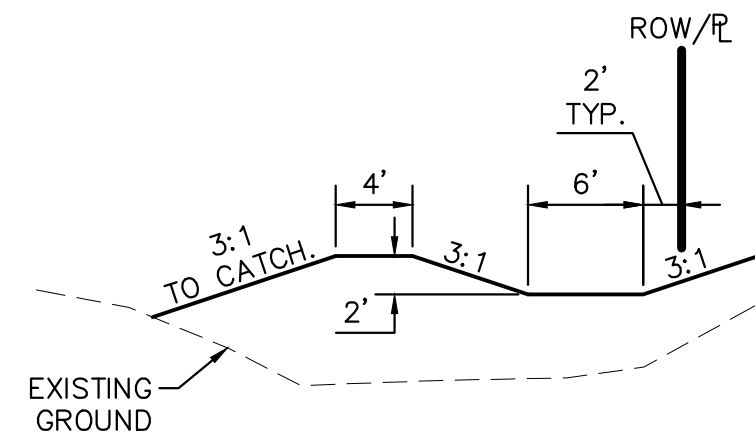
**DSE** Dakota Springs Engineering  
31 N. TEJON, SUITE 500  
COLORADO SPRINGS, CO 80903  
P: (719) 227-7388  
F: (719) 227-7392  
PROJECT SPRINGS AT WATERVIEW  
SHEET TITLE 0102-1 - GEC-NOTES - 2 GENERAL NOTES  
FROM   TO    
JOB NO. 0102.1 SHEET   OF 7

PDF: 0102-1 - GRADING.PDF

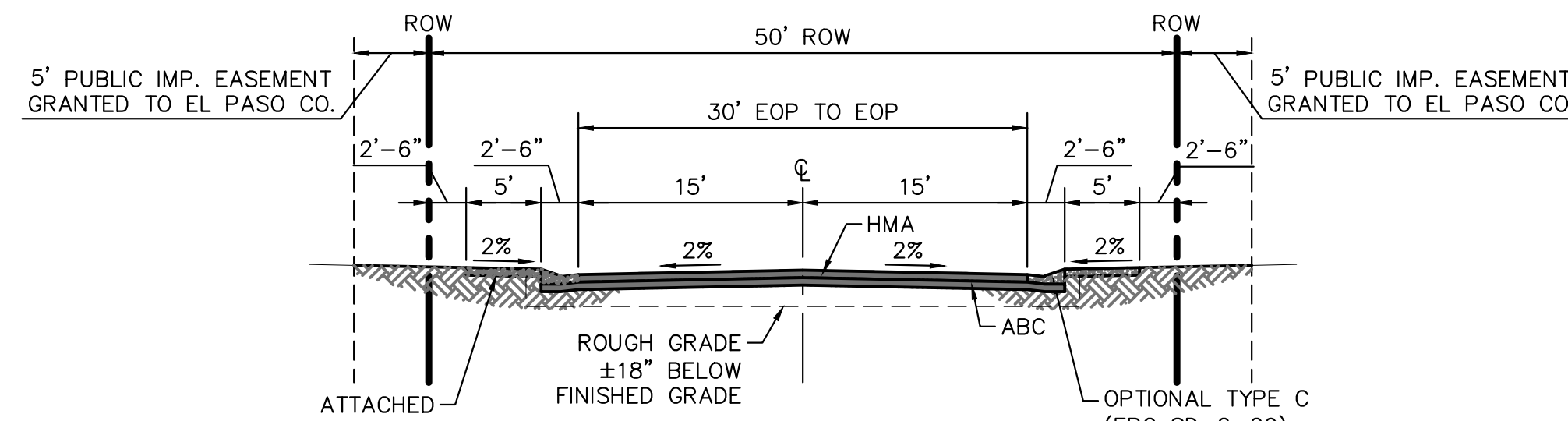




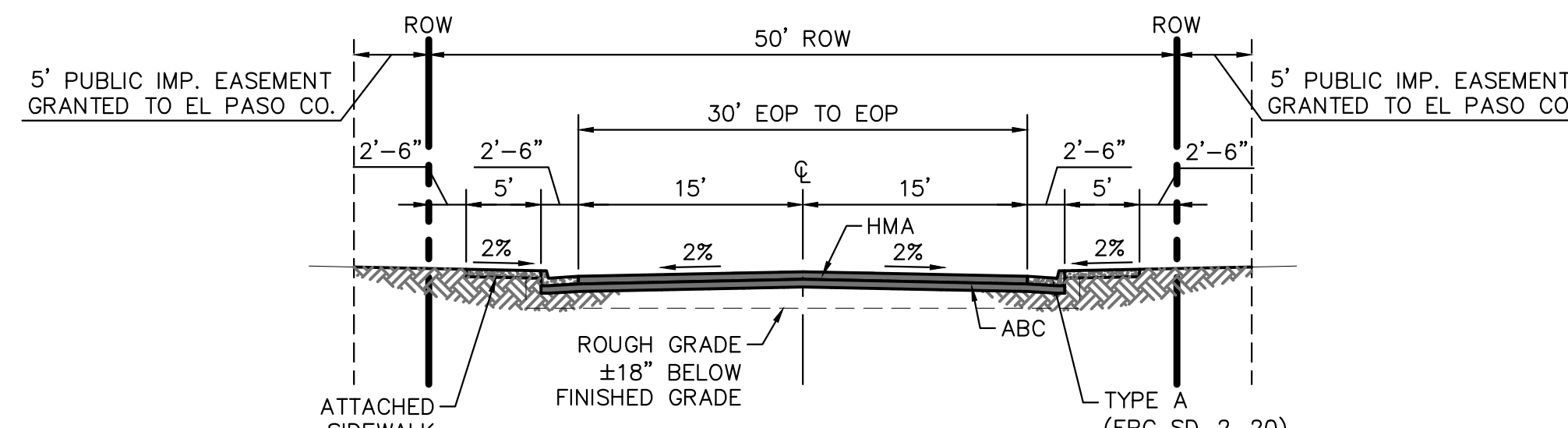
**TYPICAL DITCH**  
ALONG EDGE OF SITE TO MAINTAIN DRAINAGE



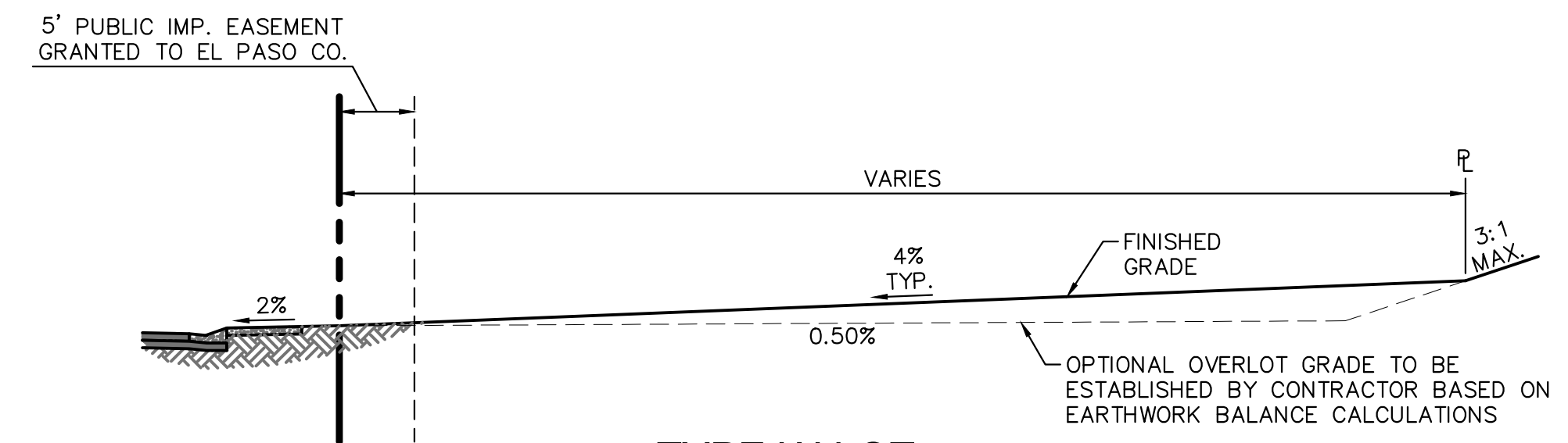
**BERMED DITCH**  
AT SITE LOW POINT DIRECTS TO SITE OUTFALL



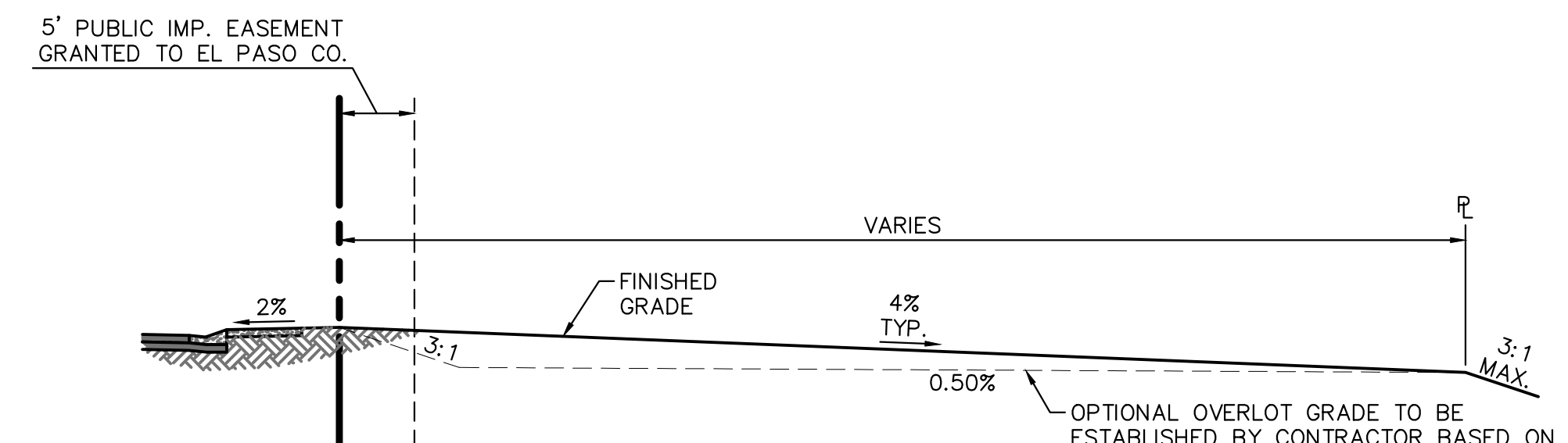
**TYPICAL SECTION 50' ROW URBAN LOCAL ROADWAY**  
DESIGN SPEED: 25 mph  
PASSING SKY DR.  
WOLF MOON DR.



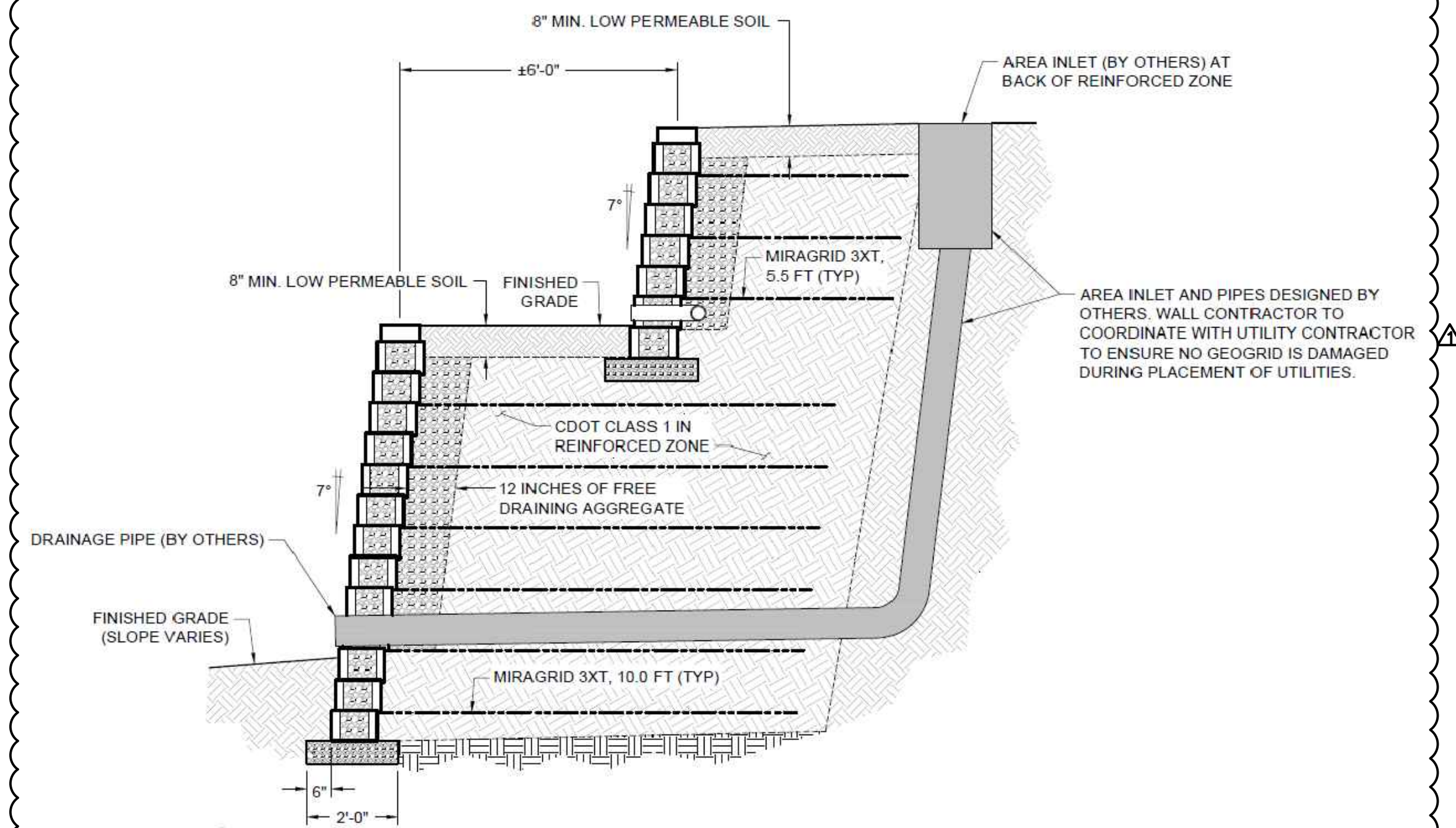
**TYPICAL SECTION 50' ROW URBAN LOCAL ROADWAY**  
DESIGN SPEED: 25 mph  
NEW MOON CT.



**TYPE 'A' LOT**



**TYPE 'C' LOT**



**TYPICAL WALL SECTION**

**APPROVED**  
Engineering Department  
02/18/21 8:41:17 AM  
adnjikamp  
EPC Planning & Community Development Department



REVISIONS:		
NO.	DESCRIPTION	DATE
1	ADDED WALL & DITCH DETAILS	01.28.21

ENGINEER:  
DESIGNED BY: JJM DATE: 3/2/18  
DRAWN BY: JJM DATE: 3/2/18  
CHECKED BY: \_\_\_\_\_ DATE: \_\_\_\_\_  
48 HOURS BEFORE YOU DIG,  
CALL UTILITY LOCATORS  
**1-800-922-1987**  
CITY OF COLORADO SPRINGS DEPT. OF UTILITIES  
GAS, ELECTRIC, WATER AND WASTEWATER

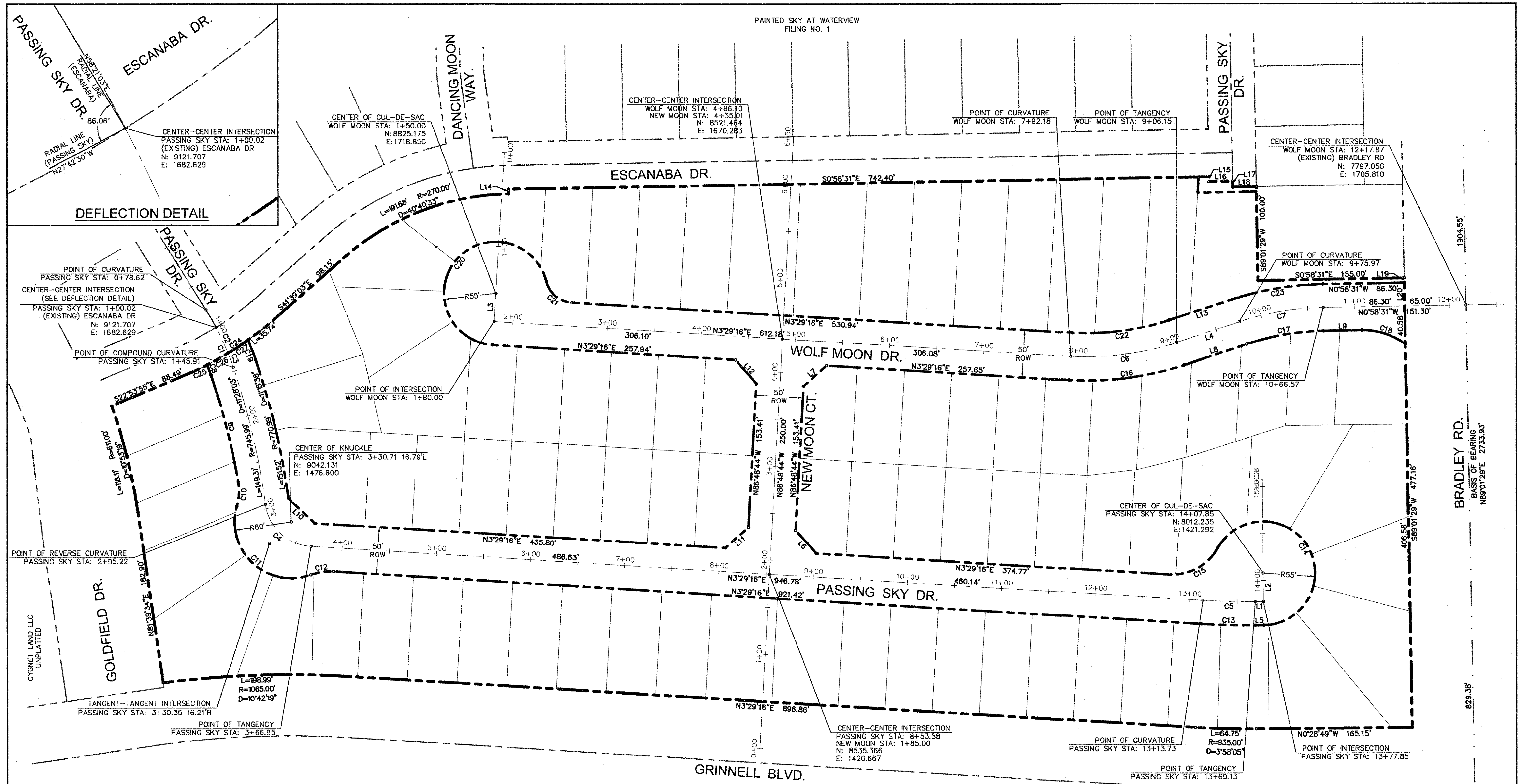
EPC 2/18/21

**JCAD CONSULTING, INC.**  
J-CADCONSULTING.COM  
719-377-0002

**DSE Dakota Springs Engineering**  
31 N. TEJON, SUITE 500  
COLORADO SPRINGS, CO 80903  
P: (719) 227-7388  
F: (719) 227-7392

PROJECT SPRINGS AT WATERVIEW  
SHEET TITLE 0102.1 - GEC-DETAIL - 3 GENERAL DETAILS  
FROM \_\_\_\_\_ TO \_\_\_\_\_  
JOB NO. 0102.1 SHEET --- OF 7





**LINE TABLE**

TAG	LENGTH	BEARING
L1	8.72'	N00°28'49"W
L2	30.00'	S89°31'11"W
L3	30.00'	N86°30'44"W
L4	69.82'	N18°16'41"W
L5	8.72'	N00°28'49"W
L6	33.03'	S48°20'16"W
L7	32.86'	N41°39'44"W
L8	69.82'	N18°16'41"W
L9	40.54'	N00°58'31"W
L10	38.37'	S43°22'02"W

**LINE TABLE**

TAG	LENGTH	BEARING
L11	32.86'	S41°39'44"E
L12	33.03'	N48°20'16"E
L13	69.82'	S18°16'41"E
L14	5.00'	N89°01'29"E
L15	5.00'	S89°01'29"W
L16	25.00'	S00°58'31"E
L17	6.32'	S89°01'29"W
L18	25.00'	S00°58'31"E
L19	5.00'	S89°01'29"W
L20	25.00'	S89°01'29"W

**CURVE TABLE**

TAG	LENGTH	RADIUS	DELTA
C1	45.90'	300.00'	8°45'56"
C2	30.21'	300.00'	5°46'09"
C3	15.69'	300.00'	2°59'47"
C4	71.73'	52.00'	79°02'13"
C5	55.40'	800.00'	3°58'05"
C6	113.97'	300.00'	21°45'57"
C7	90.60'	300.00'	17°18'10"
C8	11.35'	275.00'	2°21'56"
C9	116.63'	720.99'	9°16'07"
C10	26.76'	60.00'	25°33'20"

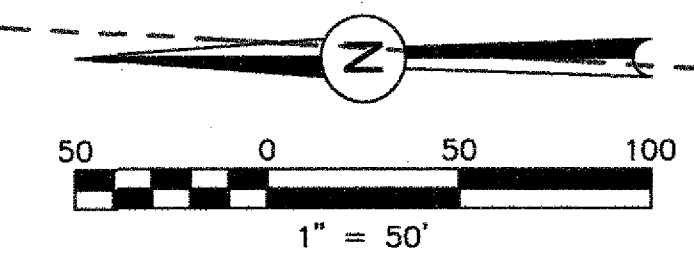
**CURVE TABLE**

TAG	LENGTH	RADIUS	DELTA
C11	131.89'	60.00'	125°56'59"
C12	24.67'	60.00'	23°33'23"
C13	57.14'	825.00'	3°58'05"
C14	230.79'	55.00'	240°25'10"
C15	61.81'	55.00'	64°23'15"
C16	123.46'	325.00'	21°45'57"
C17	83.05'	275.00'	17°18'10"
C18	49.23'	75.00'	37°36'22"
C19	21.98'	325.00'	3°52'32"
C20	242.76'	55.00'	252°53'43"

**CURVE TABLE**

TAG	LENGTH	RADIUS	DELTA
C21	38.17'	30.00'	72°53'43"
C22	104.47'	275.00'	21°45'57"
C23	98.15'	325.00'	17°18'10"
C24	108.01'	330.00'	18°45'12"
C25	21.61'	330.00'	3°45'07"
C26	25.21'	330.00'	4°22'34"
C27	25.46'	330.00'	4°25'14"

CYGNET LAND LLC UNPLATTED



**REVISIONS:**

NO.	DESCRIPTION	DATE

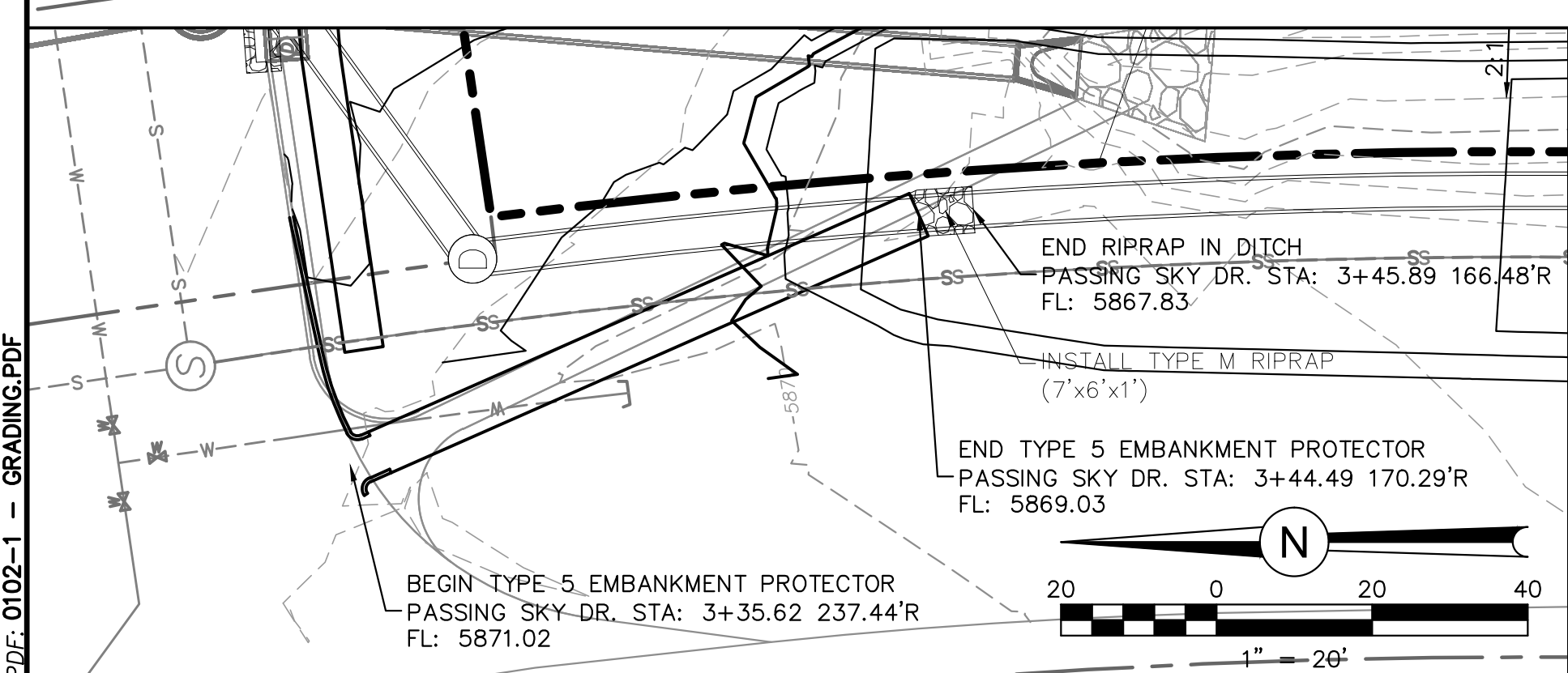
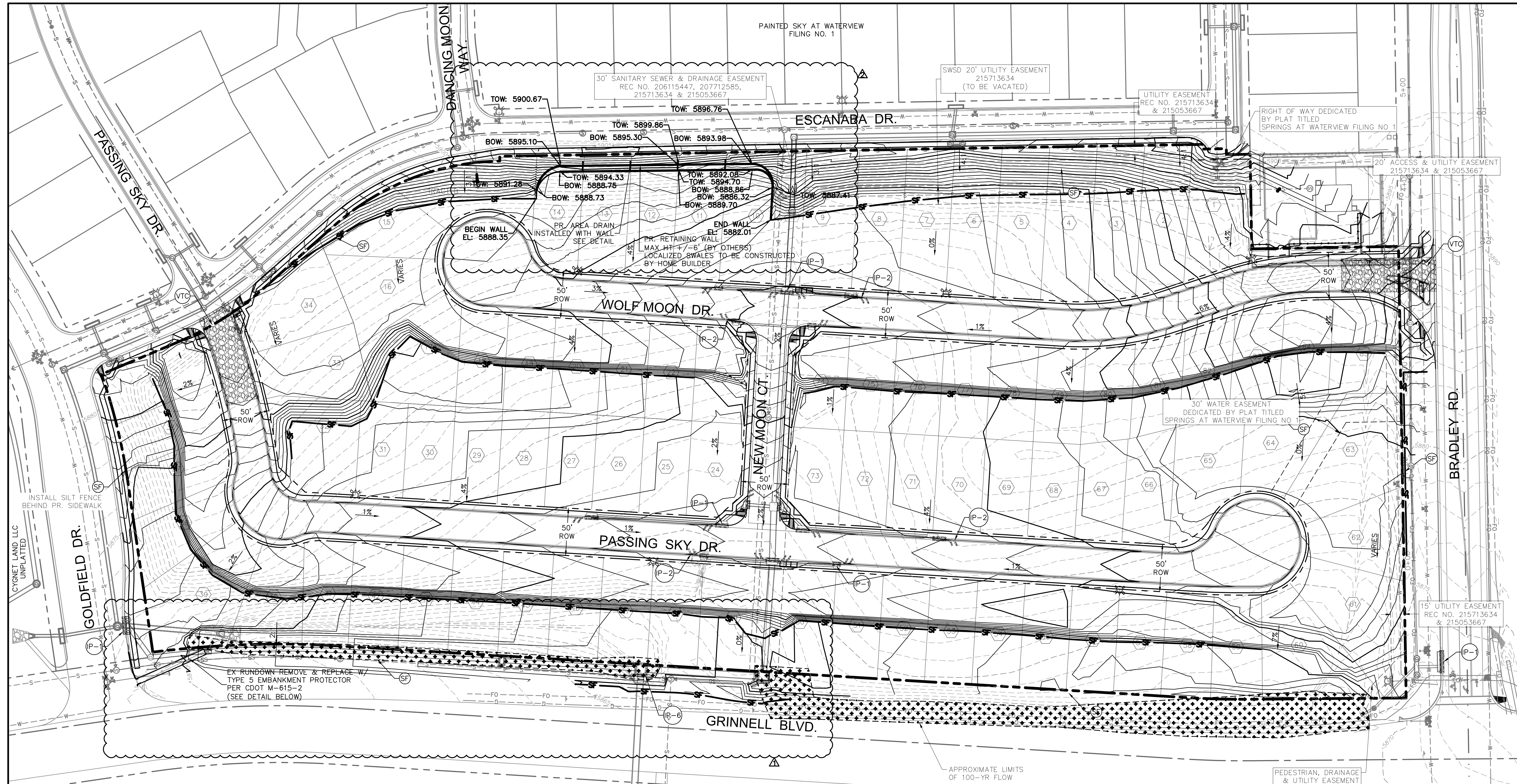
ENGINEER:  
 DESIGNED BY: JMM DATE: 3/28/18  
 DRAWN BY: JMM DATE: 7/23/18  
 CHECKED BY: JMM DATE: 10/1/18  
 48 HOURS BEFORE YOU DIG,  
 CALL UTILITY LOCATORS  
 1-800-922-1987  
 CITY OF COLORADO SPRINGS DEPT. OF UTILITIES  
 GAS, ELECTRIC, WATER AND WASTEWATER

**DSE** Dakota Springs Engineering  
 31 N. TEJON, SUITE 500  
 COLORADO SPRINGS, CO 80903  
 P. (719) 227-7368  
 F. (719) 227-7392

PROJECT SPRINGS AT WATERVIEW  
 SHEET TITLE HORIZONTAL CONTROL PLAN  
 FROM \_\_\_\_\_ TO \_\_\_\_\_  
 JOB NO. 0102.1 SHEET 3 OF 13

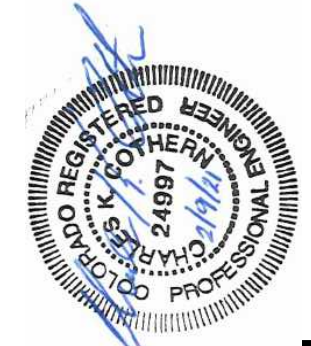
PDF: 0102-1 - CD - UTILITY.PDF



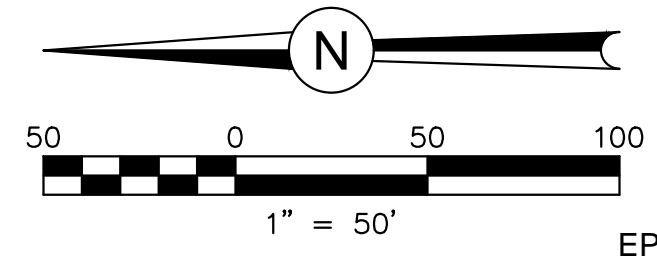


**LEGEND**

EXISTING MAJOR CONTOUR	---
EXISTING MINOR CONTOUR	- - - -
PROPOSED MAJOR CONTOUR	—
PROPOSED MINOR CONTOUR	- - - -
SILT FENCE	SF
VEHICLE TRACKING	[Pattern]



**APPROVED**  
 Engineering Department  
 02/18/2021 3:41:28 AM  
 JMM  
 EPC Planning & Community  
 Development Department



REVISIONS:

NO.	DESCRIPTION	DATE
1	REVISED GRADING OVER GRINNELL STORM	01.28.21
2	ADDED WALL PER HOME BUILDER	01.28.21

ENGINEER:  
 DESIGNED BY: JMM DATE: 3/3/18  
 DRAWN BY: JMM DATE: 3/3/18  
 CHECKED BY: DATE:

48 HOURS BEFORE YOU DIG,  
 CALL UTILITY LOCATORS  
**1-800-922-1987**  
 CITY OF COLORADO SPRINGS DEPT. OF UTILITIES  
 GAS, ELECTRIC, WATER AND WASTEWATER

**DSE** *Dakota Springs Engineering*  
 31 N. TEJON, SUITE 500  
 COLORADO SPRINGS, CO 80903  
 P: (719) 227-7388  
 F: (719) 227-7392

PROJECT SPRINGS AT WATERVIEW  
 SHEET TITLE GRADING & EROSION CONTROL PLAN  
 FROM TO  
 JOB NO. 0102.1 SHEET 5 OF 7

PDF: 0102-1 - GRADING.PDF

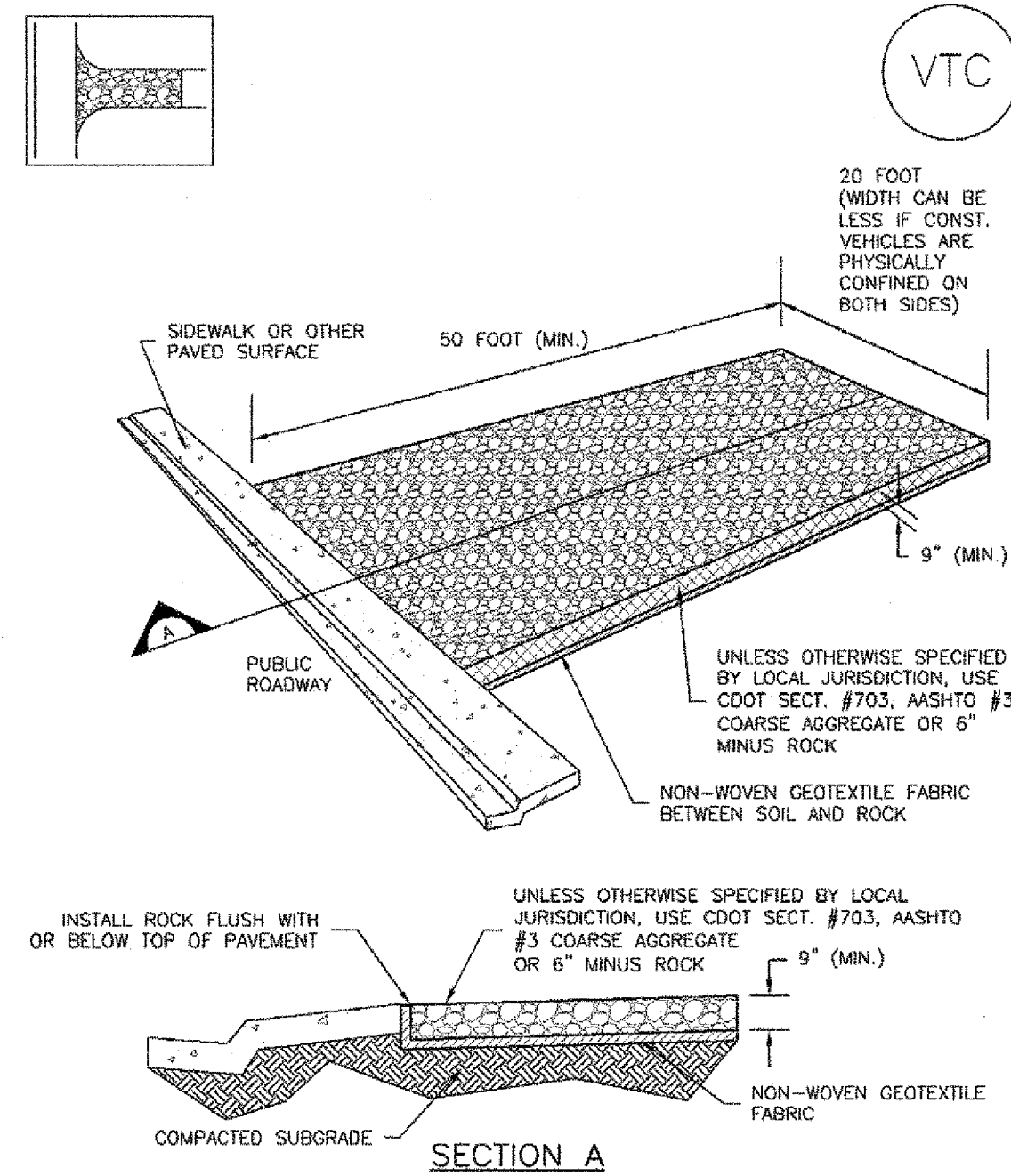


EPC 2/18/21



**Vehicle Tracking Control (VTC)**

**SM-4**



**VTC-1. AGGREGATE VEHICLE TRACKING CONTROL**

**STABILIZED CONSTRUCTION ENTRANCE/EXIT INSTALLATION NOTES**

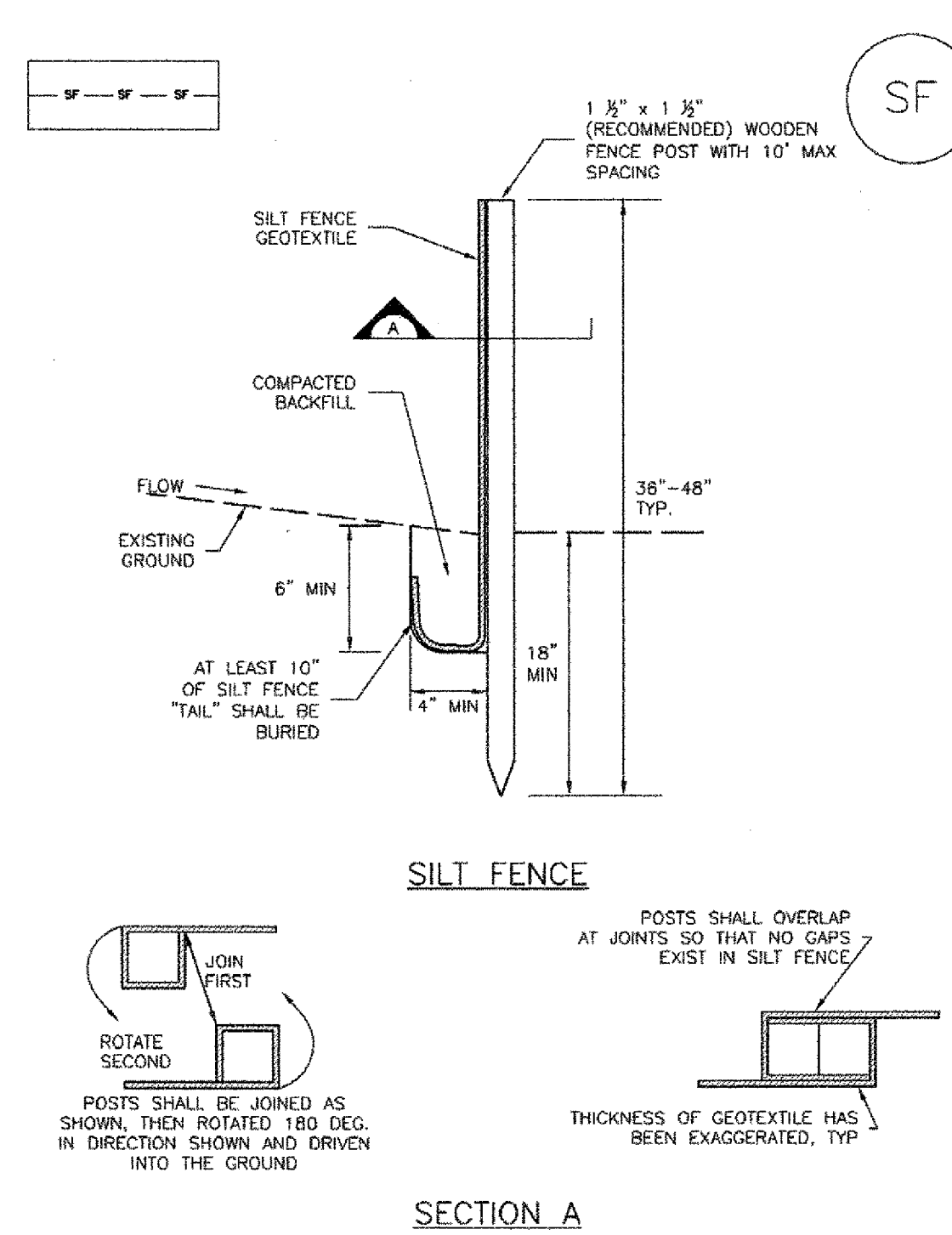
1. SEE PLAN VIEW FOR:
  - LOCATION OF CONSTRUCTION ENTRANCE(S)/EXIT(S)
  - TYPE OF CONSTRUCTION ENTRANCE(S)/EXIT(S) (WITH/WITHOUT WHEEL WASH, CONSTRUCTION MAT OR TRM)
2. CONSTRUCTION MAT OR TRM STABILIZED CONSTRUCTION ENTRANCES ARE ONLY TO BE USED ON SHORT DURATION PROJECTS (TYPICALLY RANGING FROM A WEEK TO A MONTH) WHERE THERE WILL BE LIMITED VEHICULAR ACCESS.
3. A STABILIZED CONSTRUCTION ENTRANCE/EXIT SHALL BE LOCATED AT ALL ACCESS POINTS WHERE VEHICLES ACCESS THE CONSTRUCTION SITE FROM PAVED RIGHT-OF-WAYS.
4. STABILIZED CONSTRUCTION ENTRANCE/EXIT SHALL BE INSTALLED PRIOR TO ANY LAND DISTURBING ACTIVITIES.
5. A NON-WOVEN GEOTEXTILE FABRIC SHALL BE PLACED UNDER THE STABILIZED CONSTRUCTION ENTRANCE/EXIT PRIOR TO THE PLACEMENT OF ROCK.
6. UNLESS OTHERWISE SPECIFIED BY LOCAL JURISDICTION, ROCK SHALL CONSIST OF DOT SECT. #703, AASHTO #3 COARSE AGGREGATE OR 6" (MINUS) ROCK.

**STABILIZED CONSTRUCTION ENTRANCE/EXIT MAINTENANCE NOTES**

1. INSPECT BMPs EACH WORKDAY, AND MAINTAIN THEM IN EFFECTIVE OPERATING CONDITION. MAINTENANCE OF BMPs SHOULD BE PROACTIVE, NOT REACTIVE. INSPECT BMPs AS SOON AS POSSIBLE (AND ALWAYS WITHIN 24 HOURS) FOLLOWING A STORM THAT CAUSES SURFACE EROSION, AND PERFORM NECESSARY MAINTENANCE.
2. FREQUENT OBSERVATIONS AND MAINTENANCE ARE NECESSARY TO MAINTAIN BMPs IN EFFECTIVE OPERATING CONDITION. INSPECTIONS AND CORRECTIVE MEASURES SHOULD BE DOCUMENTED THOROUGHLY.
3. WHERE BMPs HAVE FAILED, REPAIR OR REPLACEMENT SHOULD BE INITIATED UPON DISCOVERY OF THE FAILURE.
4. ROCK SHALL BE REAPPLIED OR REGRADED AS NECESSARY TO THE STABILIZED ENTRANCE/EXIT TO MAINTAIN A CONSISTENT DEPTH.
5. SEDIMENT TRACKED ONTO PAVED ROADS IS TO BE REMOVED THROUGHOUT THE DAY AND AT THE END OF THE DAY BY SHOVELING OR SWEEPING. SEDIMENT MAY NOT BE WASHED DOWN STORM SEWER DRAINS.

**Silt Fence (SF)**

**SC-1**



**SF-1. SILT FENCE**

**SILT FENCE INSTALLATION NOTES**

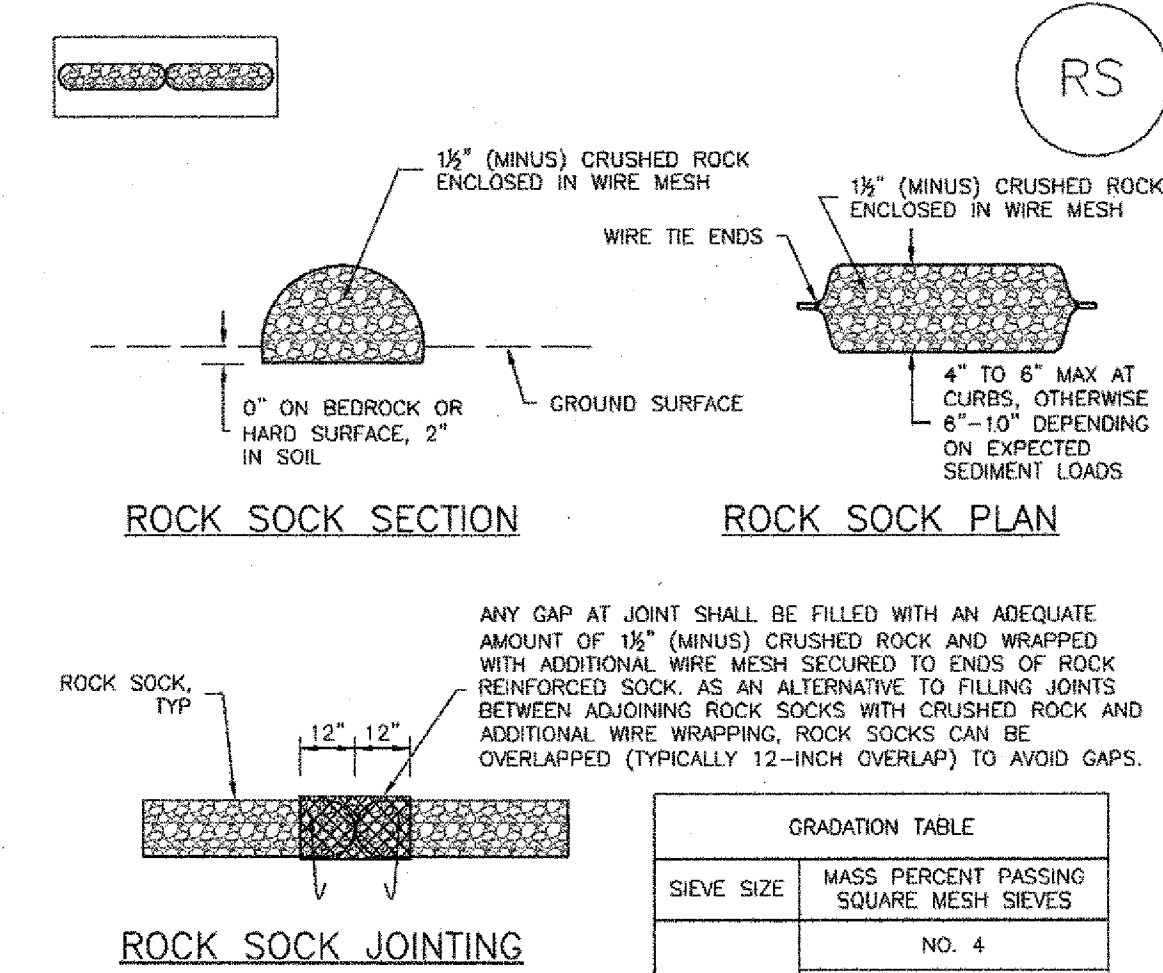
1. SILT FENCE MUST BE PLACED AWAY FROM THE TOE OF THE SLOPE TO ALLOW FOR WATER PONDING. SILT FENCE AT THE TOE OF A SLOPE SHOULD BE INSTALLED IN A FLAT LOCATION AT LEAST SEVERAL FEET (2-5 FT) FROM THE TOE OF THE SLOPE TO ALLOW ROOM FOR PONDING AND DEPOSITION.
2. A UNIFORM 6" X 4" ANCHOR TRENCH SHALL BE EXCAVATED USING TRENCHER OR SILT FENCE INSTALLATION DEVICE. NO ROAD GRADERS, BACKHOES, OR SIMILAR EQUIPMENT SHALL BE USED.
3. COMPACT ANCHOR TRENCH BY HAND WITH A "JUMPING JACK" OR BY WHEEL ROLLING. COMPACTION SHALL BE SUCH THAT SILT FENCE RESISTS BEING PULLED OUT OF ANCHOR TRENCH BY HAND.
4. SILT FENCE SHALL BE PULLED TIGHT AS IT IS ANCHORED TO THE STAKES. THERE SHOULD BE NO NOTICEABLE SAG BETWEEN STAKES AFTER IT HAS BEEN ANCHORED TO THE STAKES.
5. SILT FENCE FABRIC SHALL BE ANCHORED TO THE STAKES USING 1" HEAVY DUTY STAPLES OR NAILS WITH 1" HEADS. STAPLES AND NAILS SHOULD BE PLACED 3" ALONG THE FABRIC DOWN THE STAKE.
6. AT THE END OF A RUN OF SILT FENCE ALONG A CONTOUR, THE SILT FENCE SHOULD BE TURNED PERPENDICULAR TO THE CONTOUR TO CREATE A "J-HOOK." THE "J-HOOK" EXTENDING PERPENDICULAR TO THE CONTOUR SHOULD BE OF SUFFICIENT LENGTH TO KEEP RUNOFF FROM FLOWING AROUND THE END OF THE SILT FENCE (TYPICALLY 10' - 20').
7. SILT FENCE SHALL BE INSTALLED PRIOR TO ANY LAND DISTURBING ACTIVITIES.

**SILT FENCE MAINTENANCE NOTES**

1. INSPECT BMPs EACH WORKDAY, AND MAINTAIN THEM IN EFFECTIVE OPERATING CONDITION. MAINTENANCE OF BMPs SHOULD BE PROACTIVE, NOT REACTIVE. INSPECT BMPs AS SOON AS POSSIBLE (AND ALWAYS WITHIN 24 HOURS) FOLLOWING A STORM THAT CAUSES SURFACE EROSION, AND PERFORM NECESSARY MAINTENANCE.
2. FREQUENT OBSERVATIONS AND MAINTENANCE ARE NECESSARY TO MAINTAIN BMPs IN EFFECTIVE OPERATING CONDITION. INSPECTIONS AND CORRECTIVE MEASURES SHOULD BE DOCUMENTED THOROUGHLY.
3. WHERE BMPs HAVE FAILED, REPAIR OR REPLACEMENT SHOULD BE INITIATED UPON DISCOVERY OF THE FAILURE.
4. SEDIMENT ACCUMULATED UPSTREAM OF THE SILT FENCE SHALL BE REMOVED AS NEEDED TO MAINTAIN THE FUNCTIONALITY OF THE BMP. TYPICALLY WHEN DEPTH OF ACCUMULATED SEDIMENTS IS APPROXIMATELY 5".
5. REPAIR OR REPLACE SILT FENCE WHEN THERE ARE SIGNS OF WEAR, SUCH AS SAGGING, TEARING, OR COLLAPSE.
6. SILT FENCE IS TO REMAIN IN PLACE UNTIL THE UPSTREAM DISTURBED AREA IS STABILIZED AND APPROVED BY THE LOCAL JURISDICTION, OR IS REPLACED BY AN EQUIVALENT PERIMETER SEDIMENT CONTROL BMP.
7. WHEN SILT FENCE IS REMOVED, ALL DISTURBED AREAS SHALL BE COVERED WITH TOPSOIL, SEEDED AND MULCHED OR OTHERWISE STABILIZED AS APPROVED BY LOCAL JURISDICTION.

**SC-5**

**Rock Sock (RS)**



**ROCK SOCK JOINTING**

**ROCK SOCK INSTALLATION NOTES**

1. SEE PLAN VIEW FOR:
  - LOCATION(S) OF ROCK SOCKS.
2. CRUSHED ROCK SHALL BE 1/2" (MINUS) IN SIZE WITH A FRACTURED FACE (ALL SIDES) AND SHALL COMPLY WITH GRADATION SHOWN ON THIS SHEET (1/2" MINUS).
3. WIRE MESH SHALL BE FABRICATED OF 10 GAGE POLYESTER MESH, OR EQUIVALENT, WITH A MAXIMUM OPENING OF 1/2". RECOMMENDED MINIMUM ROLL WIDTH OF 48".
4. WIRE MESH SHALL BE SECURED USING "MOO RINGS" OR WIRE TIES AT 6" CENTERS ALONG ALL JOINTS AND AT 2" CENTERS ON ENDS OF SOCKS.
5. SOME MUNICIPALITIES MAY ALLOW THE USE OF FILTER FABRIC AS AN ALTERNATIVE TO WIRE MESH FOR THE ROCK ENCLOSEURE.

GRADATION TABLE	
SIEVE SIZE	MASS PERCENT PASSING SQUARE MESH SIEVES
NO. 4	
2"	100
1 1/2"	90 - 100
1"	20 - 55
3/4"	0 - 15
3/8"	0 - 5

**RS-1. ROCK SOCK PERIMETER CONTROL**

**ROCK SOCK MAINTENANCE NOTES**

1. INSPECT BMPs EACH WORKDAY, AND MAINTAIN THEM IN EFFECTIVE OPERATING CONDITION. MAINTENANCE OF BMPs SHOULD BE PROACTIVE, NOT REACTIVE. INSPECT BMPs AS SOON AS POSSIBLE (AND ALWAYS WITHIN 24 HOURS) FOLLOWING A STORM THAT CAUSES SURFACE EROSION, AND PERFORM NECESSARY MAINTENANCE.
2. FREQUENT OBSERVATIONS AND MAINTENANCE ARE NECESSARY TO MAINTAIN BMPs IN EFFECTIVE OPERATING CONDITION. INSPECTIONS AND CORRECTIVE MEASURES SHOULD BE DOCUMENTED THOROUGHLY.
3. WHERE BMPs HAVE FAILED, REPAIR OR REPLACEMENT SHOULD BE INITIATED UPON DISCOVERY OF THE FAILURE.
4. ROCK SOCKS SHALL BE REPLACED IF THEY BECOME HEAVILY SOILED, OR DAMAGED BEYOND REPAIR.
5. SEDIMENT ACCUMULATED UPSTREAM OF ROCK SOCKS SHALL BE REMOVED AS NEEDED TO MAINTAIN FUNCTIONALITY OF THE BMP. TYPICALLY WHEN DEPTH OF ACCUMULATED SEDIMENTS IS APPROXIMATELY 1/2 OF THE HEIGHT OF THE ROCK SOCK.
6. ROCK SOCKS ARE TO REMAIN IN PLACE UNTIL THE UPSTREAM DISTURBED AREA IS STABILIZED AND APPROVED BY THE LOCAL JURISDICTION.
7. WHEN ROCK SOCKS ARE REMOVED, ALL DISTURBED AREAS SHALL BE COVERED WITH TOPSOIL, SEEDED AND MULCHED OR OTHERWISE STABILIZED AS APPROVED BY LOCAL JURISDICTION.

(DETAIL ADAPTED FROM TOWN OF PARKER, COLORADO AND CITY OF AURORA, COLORADO, NOT AVAILABLE IN AUTOCAD)  
 NOTE: MANY JURISDICTIONS HAVE BMP DETAILS THAT VARY FROM UDFCD STANDARD DETAILS. CONSULT WITH LOCAL JURISDICTIONS AS TO WHICH DETAIL SHOULD BE USED WHEN DIFFERENCES ARE NOTED.  
 NOTE: THE DETAILS INCLUDED WITH THIS FACT SHEET SHOW COMMONLY USED, CONVENTIONAL METHODS OF ROCK SOCK INSTALLATION IN THE DENVER METROPOLITAN AREA. THERE ARE MANY OTHER SIMILAR PROPRIETARY PRODUCTS ON THE MARKET. UDFCD NEITHER ENDORSES NOR DISCOURAGES USE OF PROPRIETARY PROTECTION PRODUCTS; HOWEVER, IN THE EVENT PROPRIETARY METHODS ARE USED, THE APPROPRIATE DETAIL FROM THE MANUFACTURER MUST BE INCLUDED IN THE SWMP AND THE BMP MUST BE INSTALLED AND MAINTAINED AS SHOWN IN THE MANUFACTURER'S DETAILS.

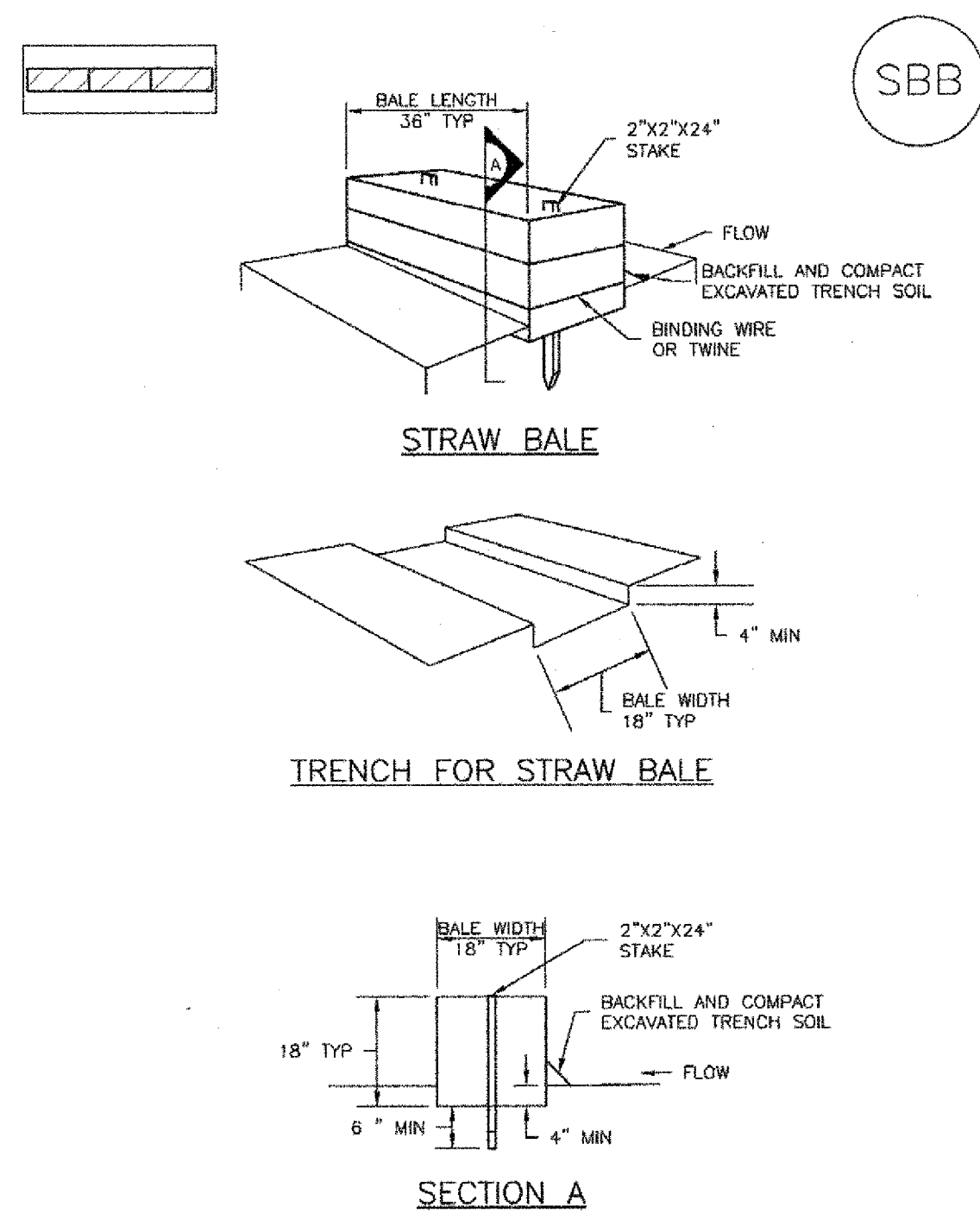
REVISIONS:		
NO.	DESCRIPTION	DATE

ENGINEER: *JMM* DATE: 3/2/18  
 DESIGNED BY: *JMM* DATE: 3/2/18  
 DRAWN BY: *JMM* DATE: 3/2/18  
 CHECKED BY: *JMM* DATE: 10/1/18  
 48 HOURS BEFORE YOU/DIG,  
 CALL UTILITY LOCATORS  
 1-800-922-1987  
 CITY OF COLORADO SPRINGS DEPT. OF UTILITIES  
 GAS, ELECTRIC, WATER AND WASTEWATER

**DSE** Dakota Springs Engineering  
 31 N. TEJON, SUITE 500  
 COLORADO SPRINGS, CO 80903  
 P: (719) 227-7388  
 F: (719) 227-7392  
 PROJECT SPRINGS AT WATERVIEW  
 SHEET TITLE EROSION CONTROL DETAILS (1 OF 2)  
 FROM \_\_\_\_\_ TO \_\_\_\_\_  
 JOB NO. 0102.1 SHEET 6 OF 7

SC-3

Straw Bale Barrier (SBB)



SBB-1. STRAW BALE

STRAW BALE INSTALLATION NOTES

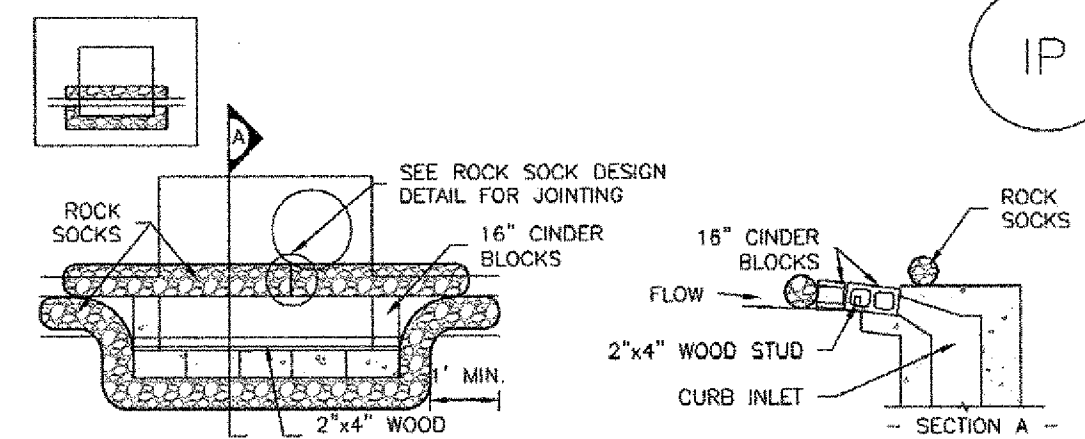
- SEE PLAN VIEW FOR:
  - LOCATION(S) OF STRAW BALES.
- STRAW BALES SHALL CONSIST OF CERTIFIED WEED FREE STRAW OR HAY. LOCAL JURISDICTIONS MAY REQUIRE PROOF THAT BALES ARE WEED FREE.
- STRAW BALES SHALL CONSIST OF APPROXIMATELY 5 CUBIC FEET OF STRAW OR HAY AND WEIGH NOT LESS THAN 35 POUNDS.
- WHEN STRAW BALES ARE USED IN SERIES AS A BARRIER, THE END OF EACH BALE SHALL BE TIGHTLY ABUTTING ONE ANOTHER.
- STRAW BALE DIMENSIONS SHALL BE APPROXIMATELY 36"x18"x18".
- A UNIFORM ANCHOR TRENCH SHALL BE EXCAVATED TO A DEPTH OF 4". STRAW BALES SHALL BE PLACED SO THAT BINDING TWINE IS ENCOMPASSING THE VERTICAL SIDES OF THE BALES. ALL EXCAVATED SOIL SHALL BE PLACED ON THE UPHILL SIDE OF THE STRAW BALE(S) AND COMPACTED.
- TWO (2) WOODEN STAKES SHALL BE USED TO HOLD EACH BALE IN PLACE. WOODEN STAKES SHALL BE 2"x2"x24". WOODEN STAKES SHALL BE DRIVEN 6" INTO THE GROUND.

STRAW BALE MAINTENANCE NOTES

- INSPECT BMPs EACH WORKDAY, AND MAINTAIN THEM IN EFFECTIVE OPERATING CONDITION. MAINTENANCE OF BMPs SHOULD BE PROACTIVE, NOT REACTIVE. INSPECT BMPs AS SOON AS POSSIBLE (AND ALWAYS WITHIN 24 HOURS) FOLLOWING A STORM THAT CAUSES SURFACE EROSION, AND PERFORM NECESSARY MAINTENANCE.
- FREQUENT OBSERVATIONS AND MAINTENANCE ARE NECESSARY TO MAINTAIN BMPs IN EFFECTIVE OPERATING CONDITION. INSPECTIONS AND CORRECTIVE MEASURES SHOULD BE DOCUMENTED THOROUGHLY.
- WHERE BMPs HAVE FAILED, REPAIR OR REPLACEMENT SHOULD BE INITIATED UPON DISCOVERY OF THE FAILURE.
- STRAW BALES SHALL BE REPLACED IF THEY BECOME HEAVILY SOILED, ROTTEN, OR DAMAGED BEYOND REPAIR.
- SEDIMENT ACCUMULATED UPSTREAM OF STRAW BALE BARRIER SHALL BE REMOVED AS NEEDED TO MAINTAIN FUNCTIONALITY OF THE BMP, TYPICALLY WHEN DEPTH OF ACCUMULATED SEDIMENTS IS APPROXIMATELY 1/2 OF THE HEIGHT OF THE STRAW BALE BARRIER.
- STRAW BALES ARE TO REMAIN IN PLACE UNTIL THE UPSTREAM DISTURBED AREA IS STABILIZED AND APPROVED BY THE LOCAL JURISDICTION.
- WHEN STRAW BALES ARE REMOVED, ALL DISTURBED AREAS SHALL BE COVERED WITH TOPSOIL, SEEDED AND MULCHED OR OTHERWISE STABILIZED AS APPROVED BY LOCAL JURISDICTION.

SC-6

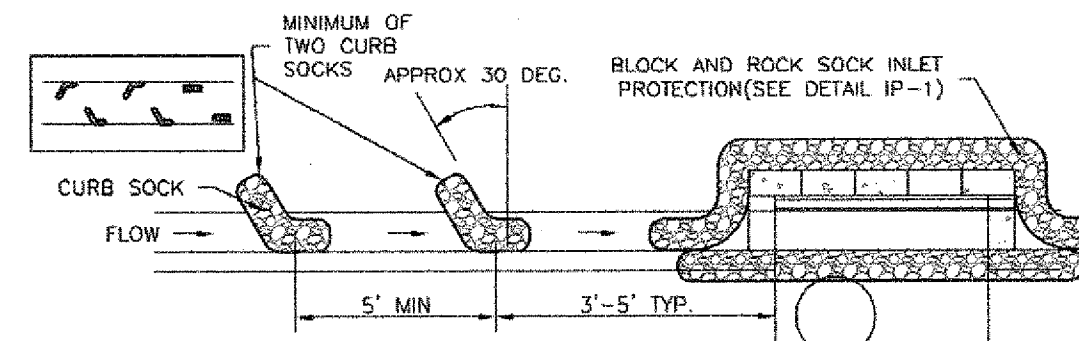
Inlet Protection (IP)



IP-1. BLOCK AND ROCK SOCK SUMP OR ON GRADE INLET PROTECTION

BLOCK AND CURB SOCK INLET PROTECTION INSTALLATION NOTES

- SEE ROCK SOCK DESIGN DETAIL FOR INSTALLATION REQUIREMENTS.
- CONCRETE "CINDER" BLOCKS SHALL BE LAID ON THEIR SIDES AROUND THE INLET IN A SINGLE ROW, ABUTTING ONE ANOTHER WITH THE OPEN END FACING AWAY FROM THE CURB.
- GRAVEL BAGS SHALL BE PLACED AROUND CONCRETE BLOCKS, CLOSELY ABUTTING ONE ANOTHER AND JOINED TOGETHER IN ACCORDANCE WITH ROCK SOCK DESIGN DETAIL.



IP-2. CURB ROCK SOCKS UPSTREAM OF INLET PROTECTION

CURB ROCK SOCK INLET PROTECTION INSTALLATION NOTES

- SEE ROCK SOCK DESIGN DETAIL INSTALLATION REQUIREMENTS.
- PLACEMENT OF THE SOCK SHALL BE APPROXIMATELY 30 DEGREES FROM PERPENDICULAR IN THE OPPOSITE DIRECTION OF FLOW.
- SOCKS ARE TO BE FLUSH WITH THE CURB AND SPACED A MINIMUM OF 5 FEET APART.
- AT LEAST TWO CURB SOCKS IN SERIES ARE REQUIRED UPSTREAM OF ON-GRADE INLETS.

GENERAL INLET PROTECTION INSTALLATION NOTES

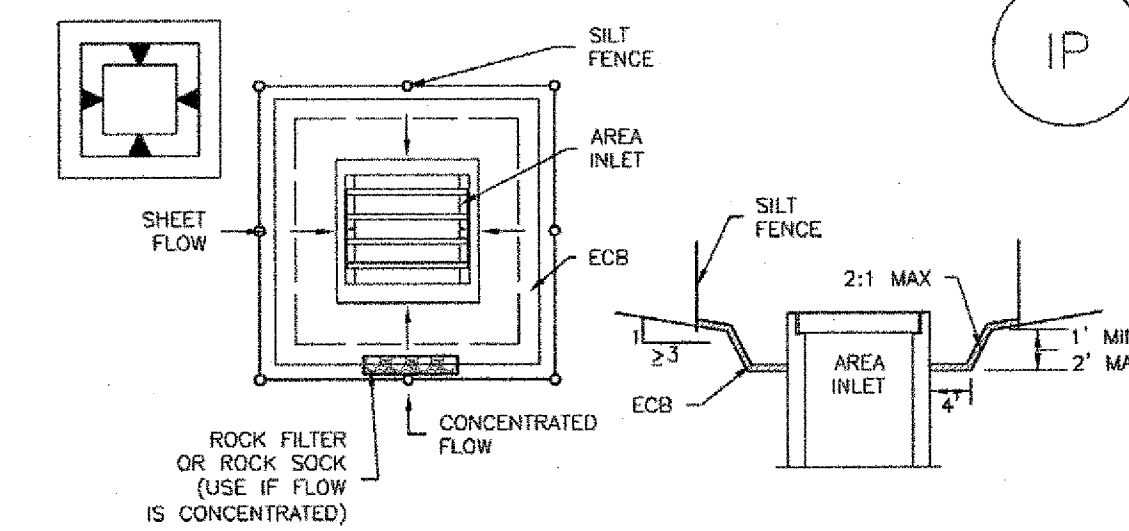
- SEE PLAN VIEW FOR:
  - LOCATION OF INLET PROTECTION.
  - TYPE OF INLET PROTECTION (IP-1, IP-2, IP-3, IP-4, IP-5, IP-6)
- INLET PROTECTION SHALL BE INSTALLED PROMPTLY AFTER INLET CONSTRUCTION OR PAVING IS COMPLETE (TYPICALLY WITHIN 48 HOURS). IF A RAINFALL/RUNOFF EVENT IS FORECAST, INSTALL INLET PROTECTION PRIOR TO ONSET OF EVENT.
- MANY JURISDICTIONS HAVE BMP DETAILS THAT VARY FROM UDFCD STANDARD DETAILS. CONSULT WITH LOCAL JURISDICTIONS AS TO WHICH DETAIL SHOULD BE USED WHEN DIFFERENCES ARE NOTED.

INLET PROTECTION MAINTENANCE NOTES

- INSPECT BMPs EACH WORKDAY, AND MAINTAIN THEM IN EFFECTIVE OPERATING CONDITION. MAINTENANCE OF BMPs SHOULD BE PROACTIVE, NOT REACTIVE. INSPECT BMPs AS SOON AS POSSIBLE (AND ALWAYS WITHIN 24 HOURS) FOLLOWING A STORM THAT CAUSES SURFACE EROSION, AND PERFORM NECESSARY MAINTENANCE.
- FREQUENT OBSERVATIONS AND MAINTENANCE ARE NECESSARY TO MAINTAIN BMPs IN EFFECTIVE OPERATING CONDITION. INSPECTIONS AND CORRECTIVE MEASURES SHOULD BE DOCUMENTED THOROUGHLY.
- WHERE BMPs HAVE FAILED, REPAIR OR REPLACEMENT SHOULD BE INITIATED UPON DISCOVERY OF THE FAILURE.
- SEDIMENT ACCUMULATED UPSTREAM OF INLET PROTECTION SHALL BE REMOVED AS NECESSARY TO MAINTAIN BMP EFFECTIVENESS, TYPICALLY WHEN STORAGE VOLUME REACHES 50% OF CAPACITY, A DEPTH OF 6" WHEN SILT FENCE IS USED, OR 1/2 OF THE HEIGHT FOR STRAW BALES.
- INLET PROTECTION IS TO REMAIN IN PLACE UNTIL THE UPSTREAM DISTURBED AREA IS PERMANENTLY STABILIZED, UNLESS THE LOCAL JURISDICTION APPROVES EARLIER REMOVAL OF INLET PROTECTION IN STREETS.
- WHEN INLET PROTECTION AT AREA INLETS IS REMOVED, THE DISTURBED AREA SHALL BE COVERED WITH TOP SOIL, SEEDED AND MULCHED, OR OTHERWISE STABILIZED IN A MANNER APPROVED BY THE LOCAL JURISDICTION.

SC-6

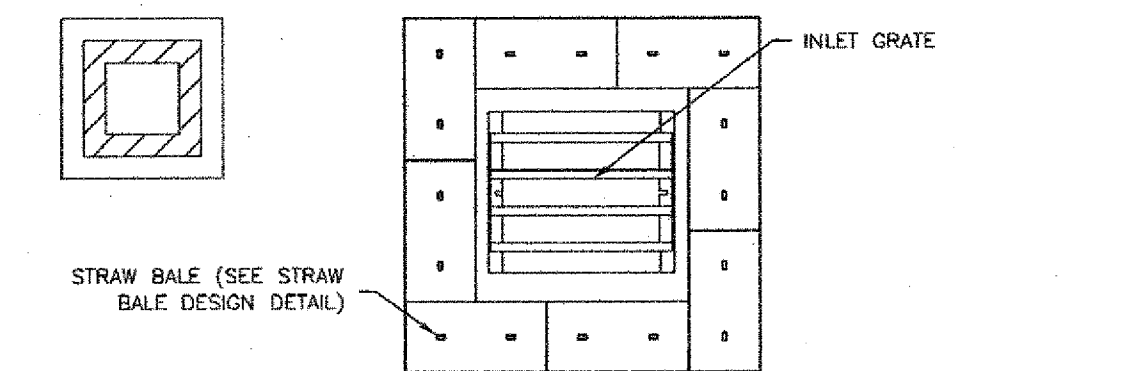
Inlet Protection (IP)



IP-5. OVEREXCAVATION INLET PROTECTION

OVEREXCAVATION INLET PROTECTION INSTALLATION NOTES

- THIS FORM OF INLET PROTECTION IS PRIMARILY APPLICABLE FOR SITES THAT HAVE NOT YET REACHED FINAL GRADE AND SHOULD BE USED ONLY FOR INLETS WITH A RELATIVELY SMALL CONTRIBUTING DRAINAGE AREA.
- WHEN USING FOR CONCENTRATED FLOWS, SHAPE BASIN IN 2:1 RATIO WITH LENGTH ORIENTED TOWARDS DIRECTION OF FLOW.
- SEDIMENT MUST BE PERIODICALLY REMOVED FROM THE OVEREXCAVATED AREA.



IP-6. STRAW BALE FOR SUMP INLET PROTECTION

STRAW BALE BARRIER INLET PROTECTION INSTALLATION NOTES

- SEE STRAW BALE DESIGN DETAIL FOR INSTALLATION REQUIREMENTS.
- BALES SHALL BE PLACED IN A SINGLE ROW AROUND THE INLET WITH ENDS OF BALES TIGHTLY ABUTTING ONE ANOTHER.

REVISIONS:		
NO.	DESCRIPTION	DATE

ENGINEER:  
DESIGNED BY: JJM DATE: 3/2/18  
DRAWN BY: JJM DATE: 3/2/18  
CHECKED BY: JJM DATE: 10/1/18

48 HOURS BEFORE YOU DIG,  
CALL/UTILITY LOCATORS  
1-800-922-1987  
CITY OF COLORADO SPRINGS DEPT. OF UTILITIES  
GAS, ELECTRIC, WATER AND WASTEWATER

**DSE** *Dakota Springs Engineering*

31 N. TEJON, SUITE 500  
COLORADO SPRINGS, CO 80903  
P: (719) 227-7388  
F: (719) 227-7392

PROJECT SPRINGS AT WATERVIEW

SHEET TITLE EROSION CONTROL DETAILS (2 OF 2)

FROM   TO  

JOB NO. 0102.1 SHEET 7 OF 7