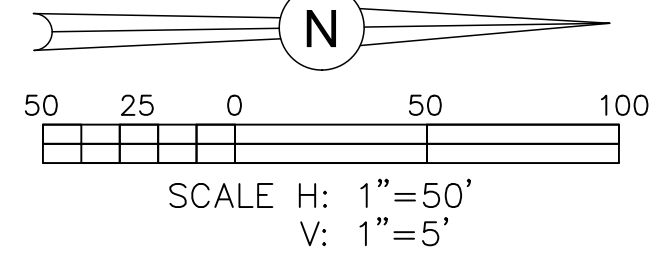
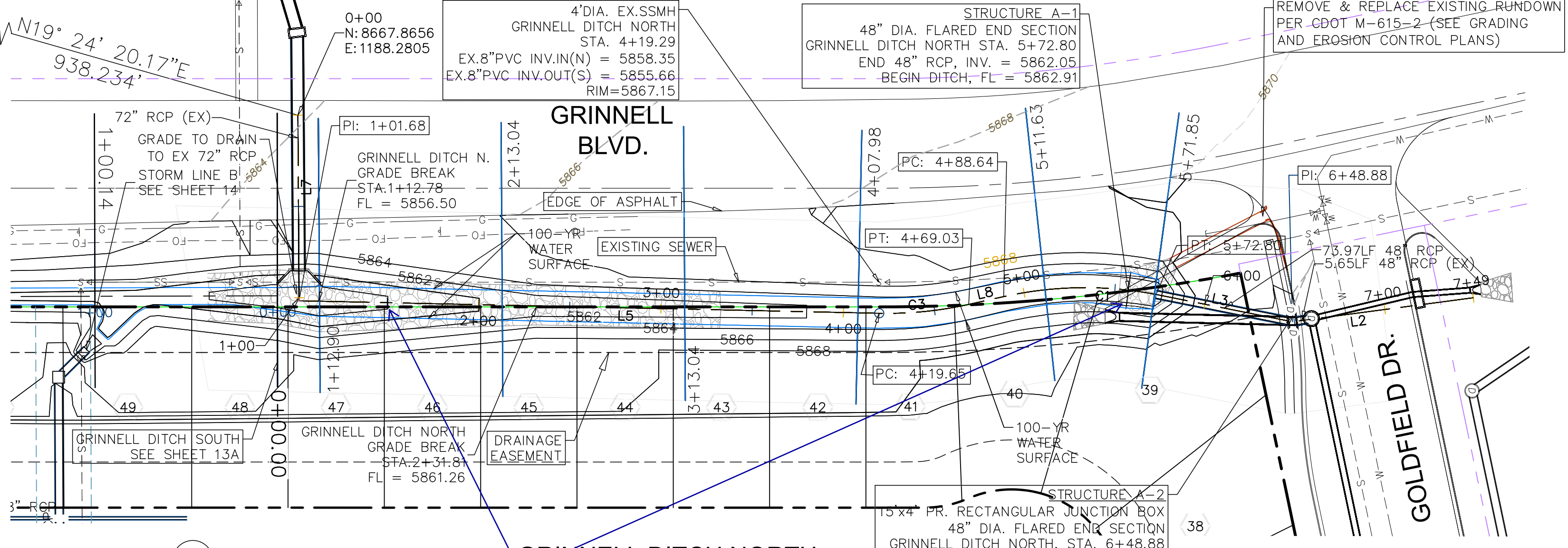


WEST 1/4 CORNER
SEC 7, T15S, R65W
N: 7782.9326
E: 876.5491



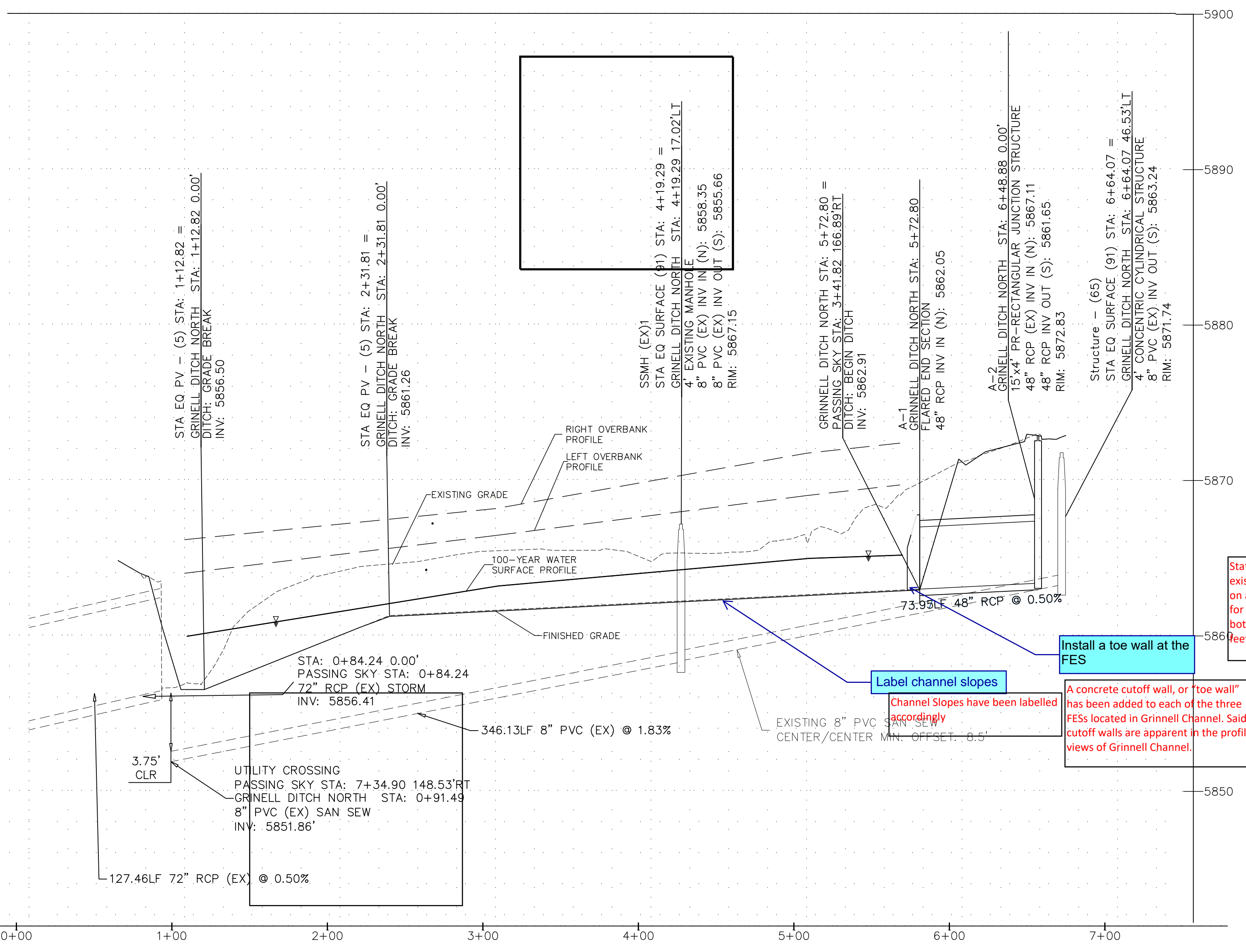
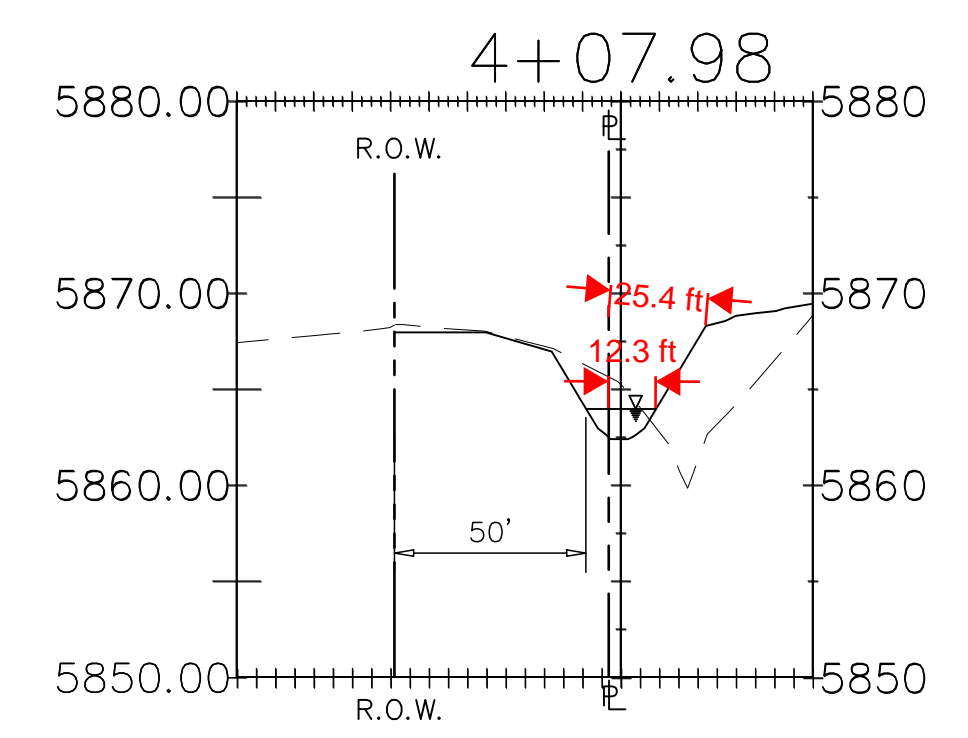
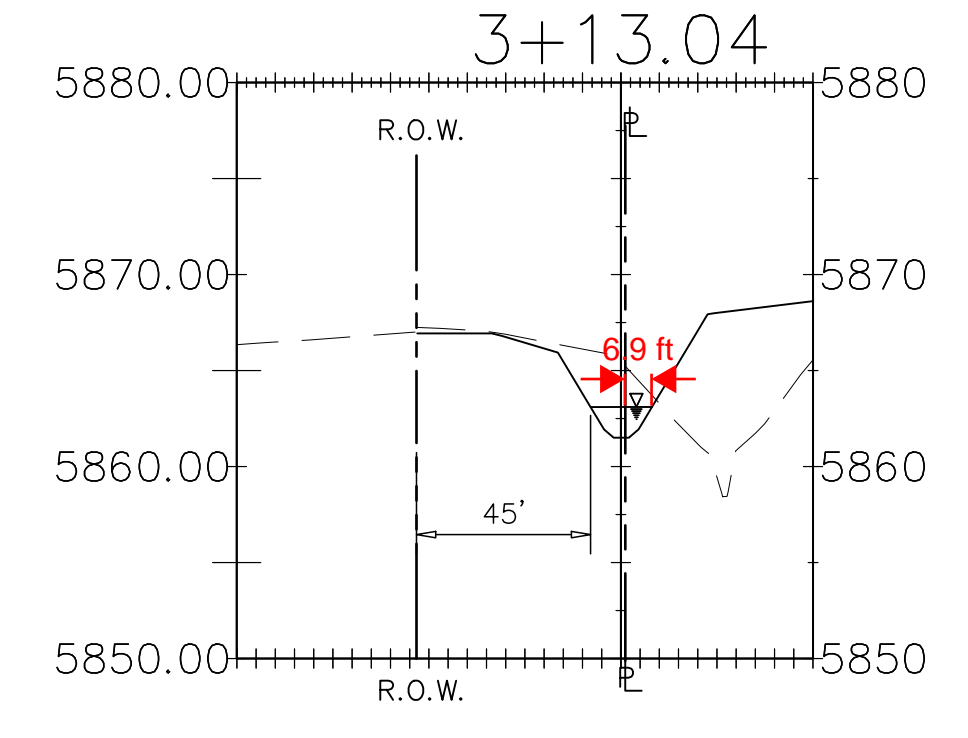
Provide riprap details. Identify the riprap type, length width, depth. Is there a lining between the riprap and subgrade?

RIPRAP details are included and provide the requested information.

HORIZONTAL CONTROL FOR GRINNELL DITCH-NORTH ALIGNMENT

MEASURED FROM THE WEST 1/4 CORNER OF SECTION 7, T15S, R65W, TO STA. 0+00 OF THE GRINNELL DITCH NORTH ALIGNMENT; THENCE N19°24'20.17\"/>

Grinnell Ditch North				
Number	Radius	Length	Line/Chord Direction	A Value
L7		101.68	S86° 52' 06.71\"/>	
C3	205.00	49.38	N2° 10' 51.07\"/>	
L8		19.61	N9° 04' 51.71\"/>	
L3		76.08	N14° 49' 16.03\"/>	
L2		100.00	N4° 04' 35.11\"/>	
C1	205.00	84.16	N2° 40' 49.87\"/>	
L5		317.97	N4° 43' 09.58\"/>	



Label channel slopes accordingly

Install a toe wall at the FES. A concrete cutoff wall, or 'toe wall' has been added to each of the three FESs located in Grinnell Channel. Said cutoff walls are apparent in the profile views of Grinnell Channel.

The property line is located in the middle of the channel. The

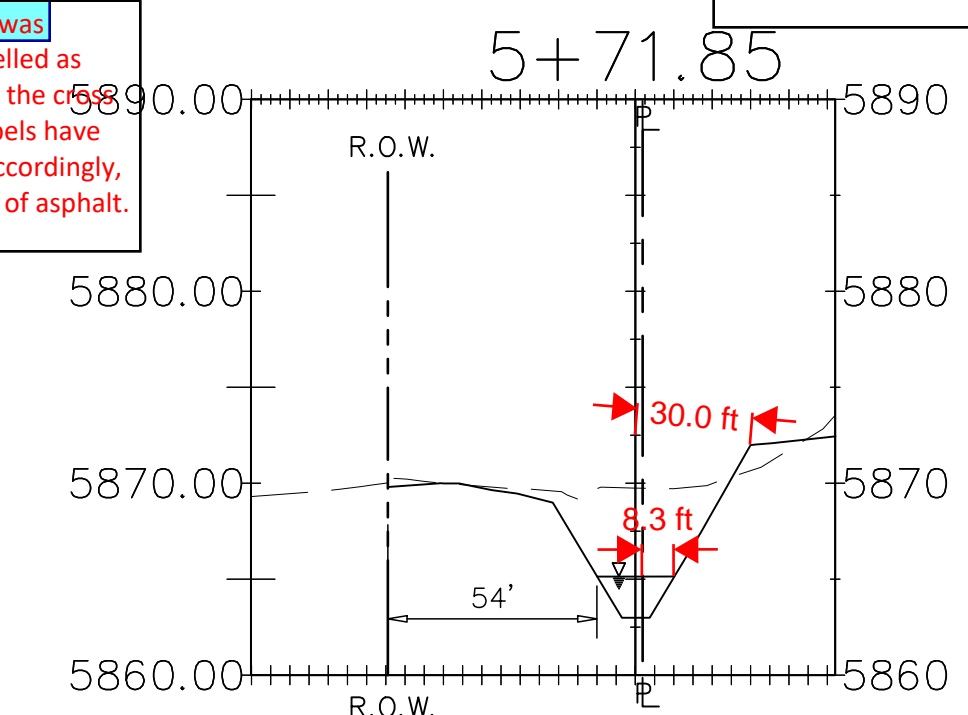
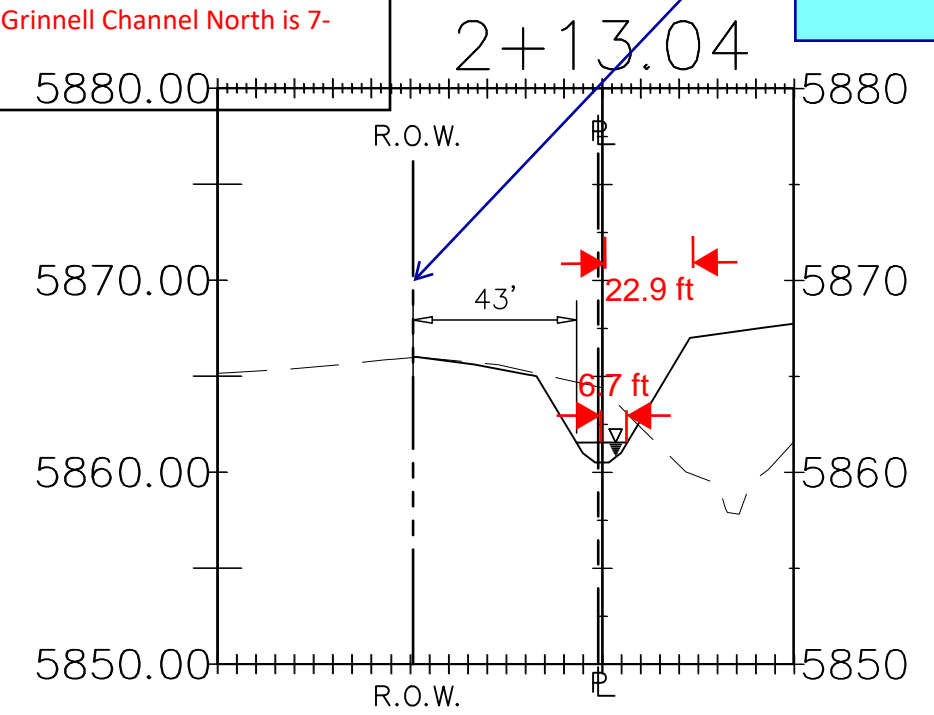
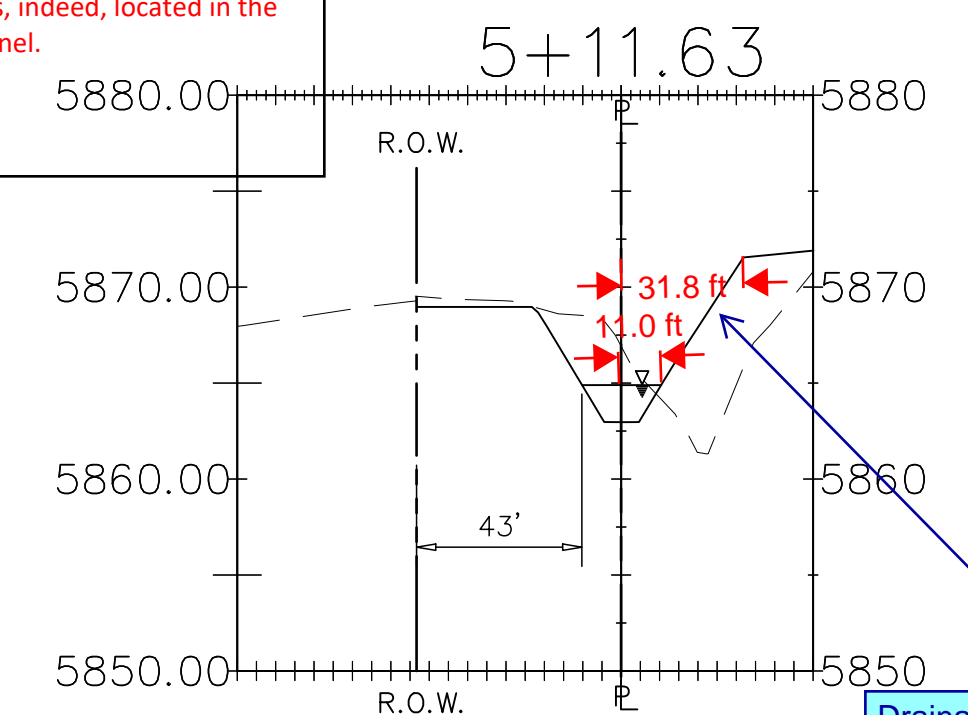
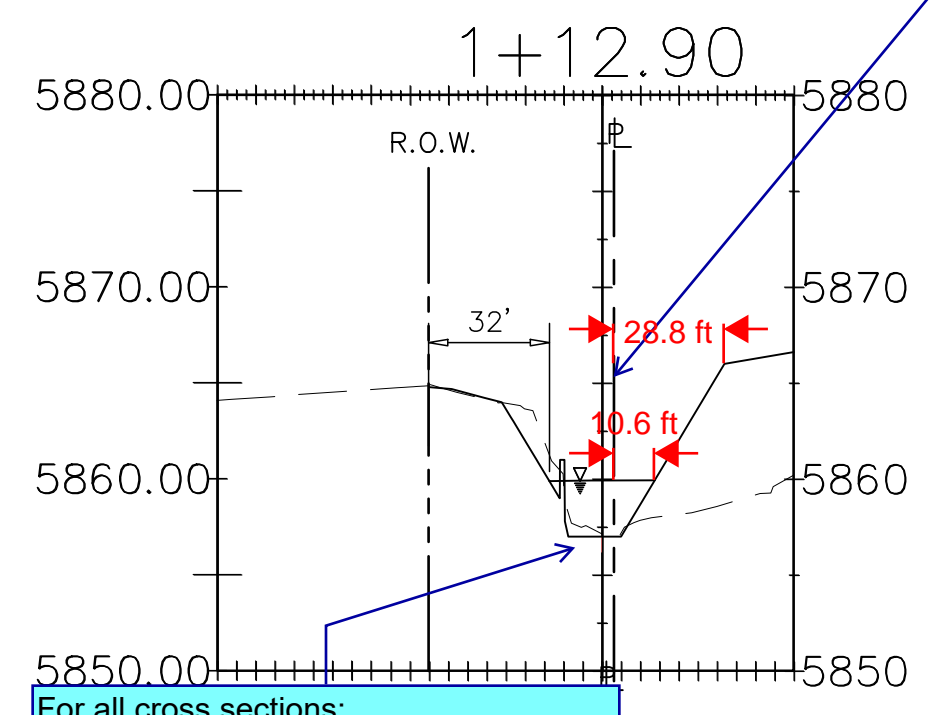
The property line is, indeed, located in the middle of the channel.

For all cross sections: - Label the station offsets of the toes. - Channel bottom width appears to vary - Label the existing and proposed grades.

Is this supposed to be the edge of asphalt. Plat only shows a property line.

Edge of Asphalt was erroneously labeled as ROW in many of the cross sections. The labels have been updated accordingly, to indicate edge of asphalt.

Drainage easement on the plat was only 25 feet. It should be adjusted to include the entire channel side. Please refer to the discussion in the revised drainage letter.



DSE Dakota Springs Engineering
31 N. TOLON, SUITE 600
COLORADO SPRINGS, CO 80903
P: (719) 227-2392
F: (719) 227-2392

DESIGNED BY: CEB DATE: 8/15/19
DRAWN BY: CEB DATE: 8/15/19
CHECKED BY: CC DATE:
SCALE: HORIZ: 1"=50'
VERT: 1"=5'
STATION: FROM: N/A TO: N/A

SPRINGS AT WATERVIEW - AMENDED STORM

GRINNELL DITCH NORTH - PLAN / PROFILE

REVISIONS:	DATE
NO. DESCRIPTION	

PROJECT NUMBER: 0102.2
SHEET 13 OF 19

Z:\0102\0102-2-Storm Amend\0102-2 - Storm Amend.dwg, 13 GRINNELL DITCH NORTH PROFILE, 8/20/19 7:08:07 PM, ARCADIA EXPERT CO, 04.00, 04.00, 04.00

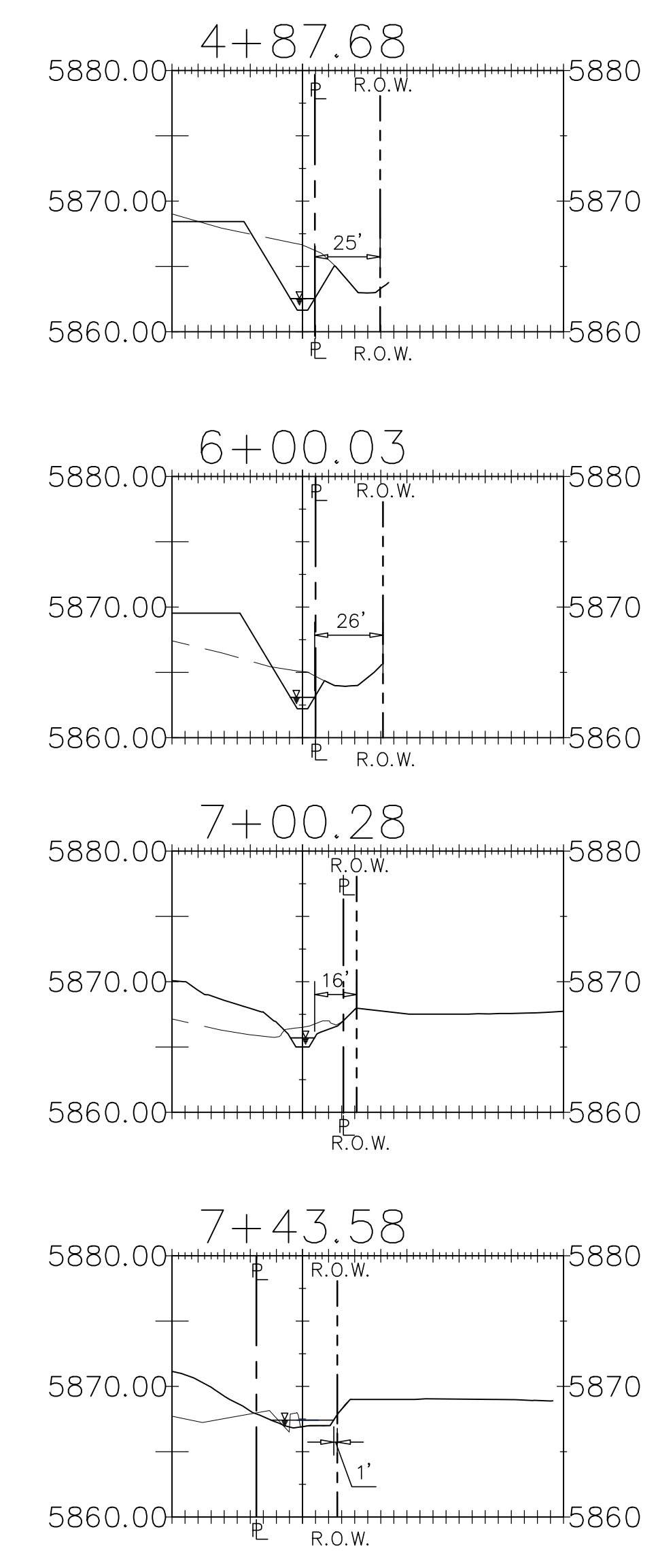
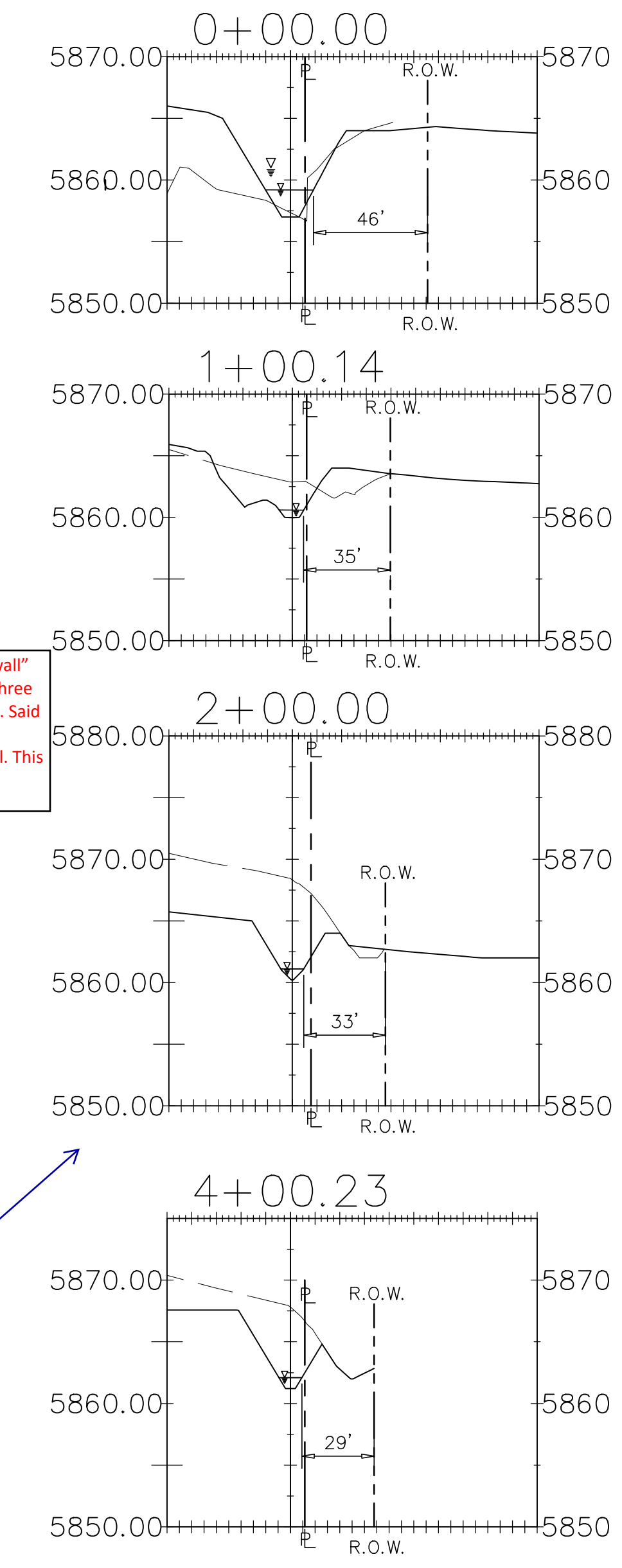
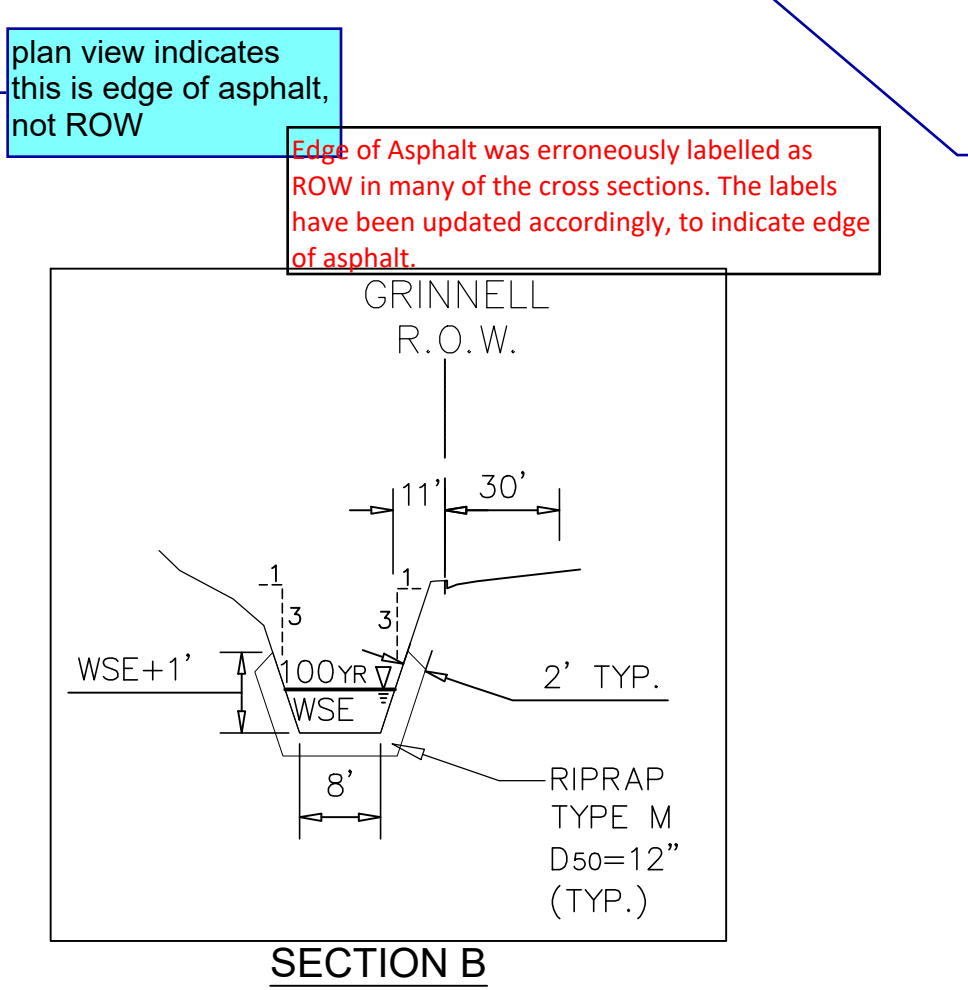
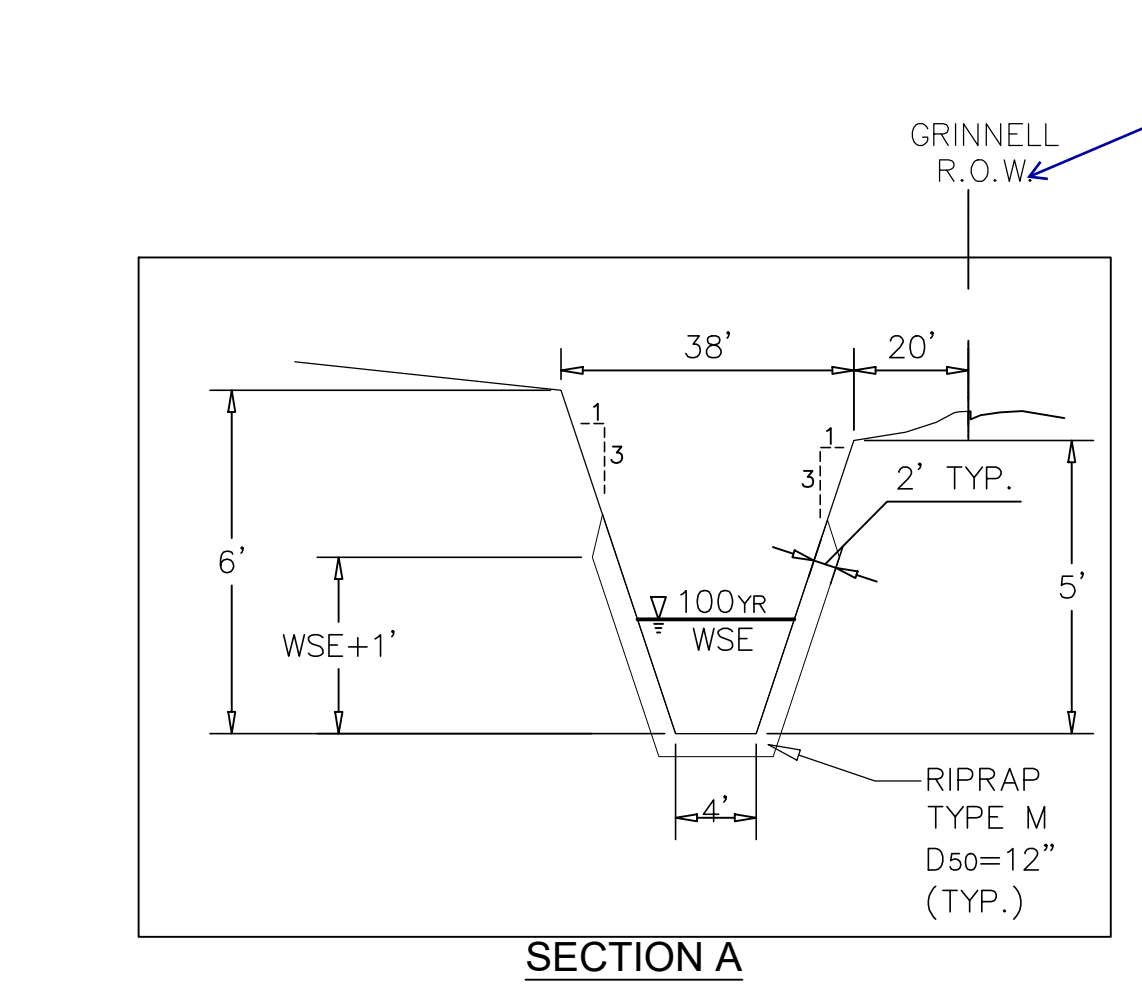
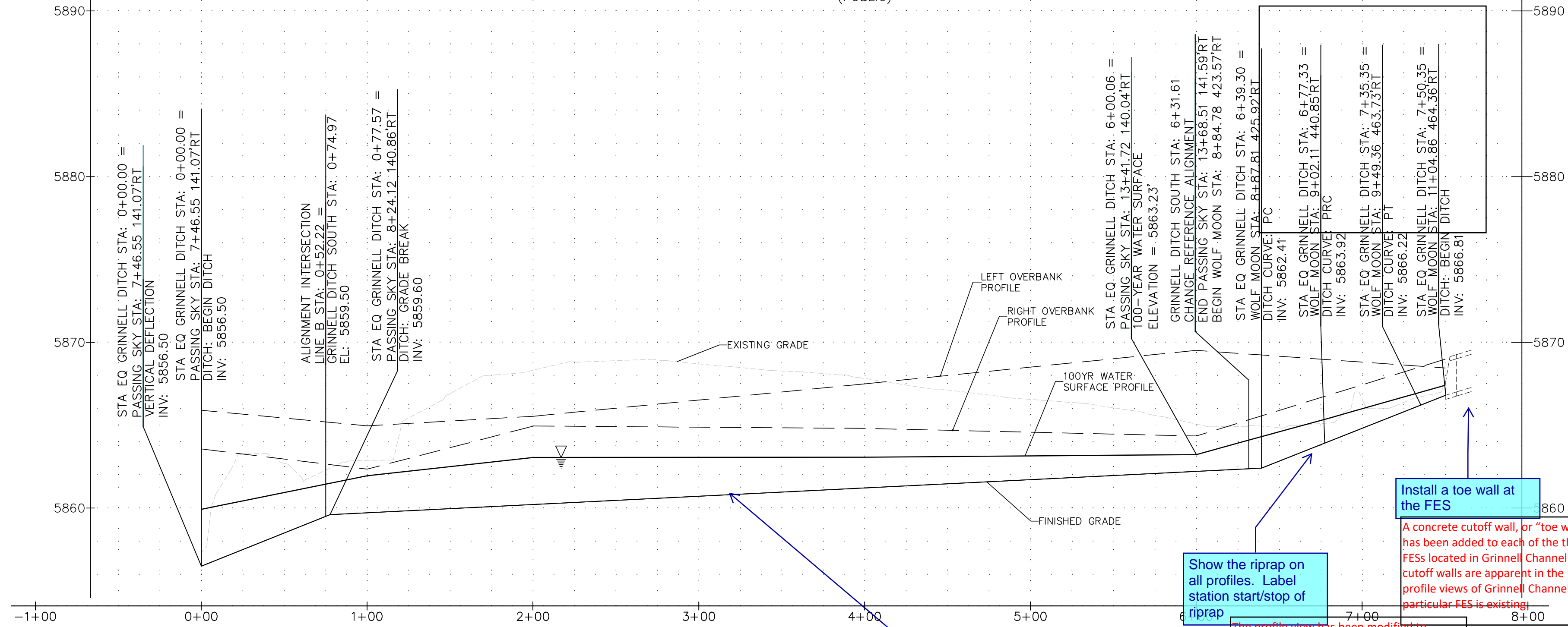
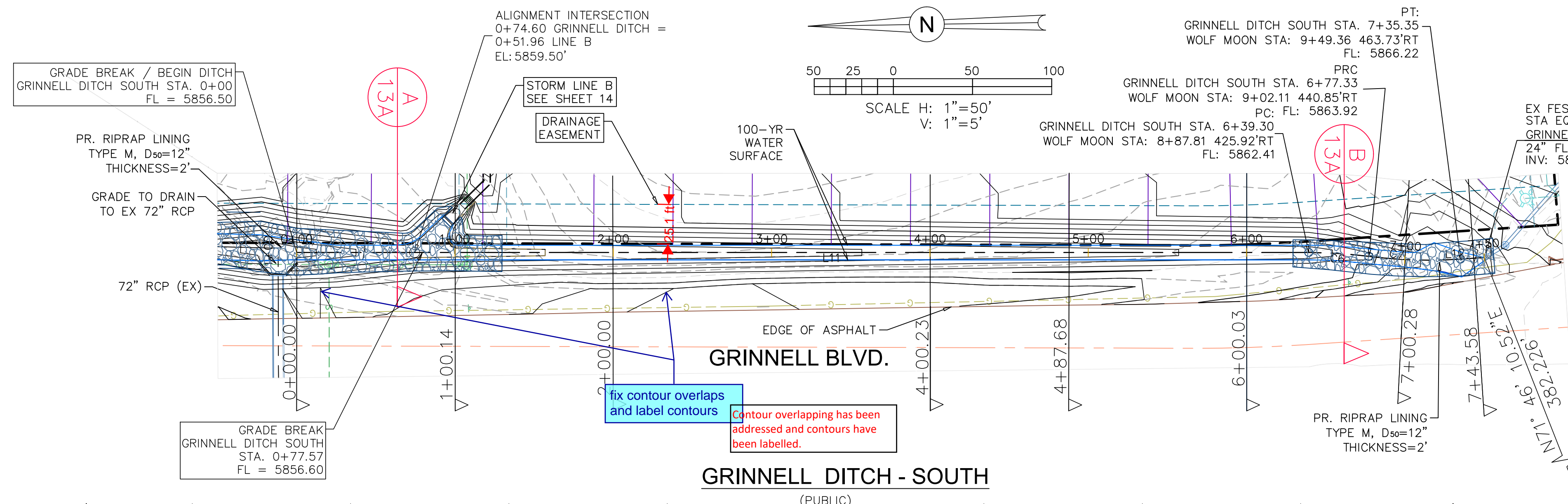
HORIZONTAL CONTROL FOR GRINNELL DITCH SOUTH

MEASURED FROM THE WEST 1/4 CORNER OF SECTION 7, T15S, R65W, TO STA. 7+49.98 OF THE GRINNELL DITCH SOUTH ALIGNMENT; THENCE N71°46'10.52"E A DISTANCE OF 382.226'; THE FOLLOWING TABLE PROVIDES THE HORIZONTAL CONTROL FOR THE GRINNELL DITCH SOUTH ALIGNMENT:

Number	Radius	Length	Line/Chord Direction	A Value
L12	14.63	14.63	S0° 28' 49.00"E	
C7	300.00	58.01	S5° 03' 34.58"W	
C6	300.00	38.04	S6° 58' 01.42"W	
L11	639.30	639.30	S3° 20' 04.67"W	

The horizontal control table has been modified to include delta angles for the curves.

Provide delta angle



See previous page for comments regarding the cross sections

DESIGNED BY: CEB DATE: 8/19/19

DRAWN BY: CEB DATE: 8/19/19

CHECKED BY: FAK DATE: 8/19/19

SCALE: HORIZ: 1"=50' VERT: 1"=5'

STATION: FROM: 0+00 TO: 8+00

SPRINGS AT WATERVIEW - AMENDED STORM

GRINNELL DITCH SOUTH PROFILE

REVISIONS:

NO.	DESCRIPTION	DATE

PROJECT NUMBER: 0102.2

SHEET 13A OF 19

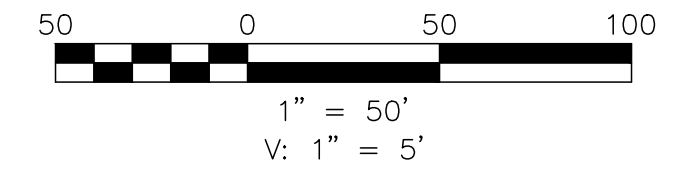
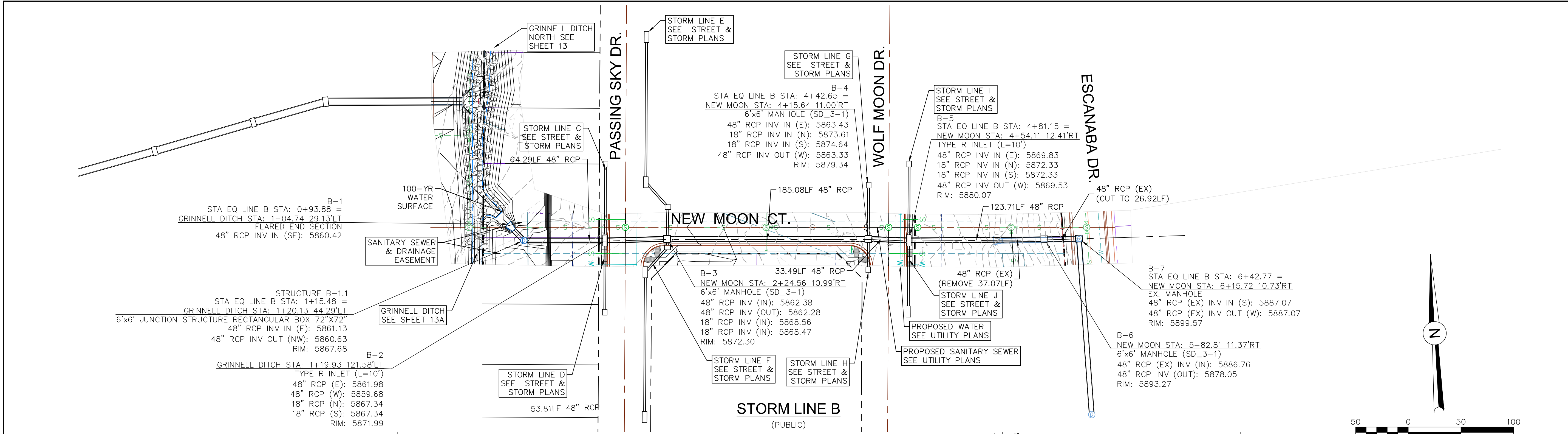
DSE Dakota Springs Engineering

31 N. TELON, SUITE 500 COLORADO SPRINGS, CO 80903 P: (719) 227-7388 F: (719) 227-7392

48 HOURS BEFORE YOU DIG. CALL UTILITY LOCATORS 1-800-922-1987. CITY OF ELECTRICAL, WATER AND WASTE WATER.

PDF: 0102-2 - STORM AMEND.PDF

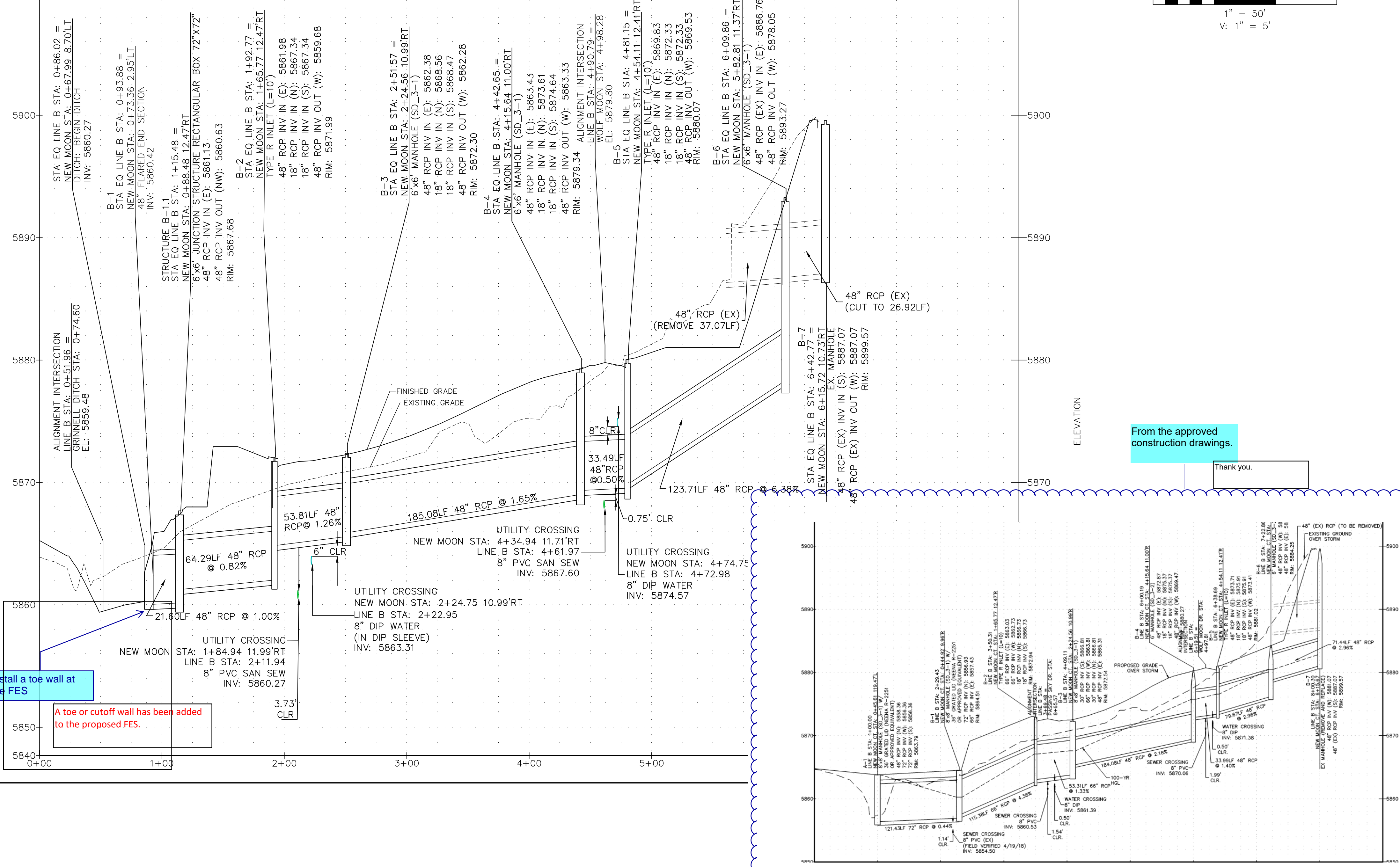
Z:\001\cable\spring\02\storm\amend\amend\storm102.1 - amnd.dwg, 13A GRINNELL DITCH PROFILE, 8/20/19 7:08:48 PM, AECI\rsprng\02\0102.1.dwg (2019.08.20 14:00:00)



Draw revision cloud around the elements that are revised from the originally approved design.

Per the first review comments, the drainage letter needs address the changes and show the updated calculations. (See snippet below from the review 1 of the drainage letter)

This entire stormline B is completely altered from the originally approved report. Update the drainage letter to have the supporting narrative and calculations.



Install a toe wall at the FES

A toe or cutoff wall has been added to the proposed FES.

Proposed Storm System

There are three existing storm drain systems that discharge onto or adjacent to the site and one existing system that carries three storm systems. The

Similar comment for the proposed storm. Narrative should be specific to the amendment only. Describing which system is being revised, what is proposed, and explaining the results of the calculations.

Appendix D: Inlet Design, Runoff Analysis and Channel Design

Remove any hydraulic analysis not pertinent to this report.

PDF: 0102-2 - STORM AMEND.PDF

DSE Dakota Springs Engineering
 31 N. TEJON, SUITE 500
 COLORADO SPRINGS, CO 80903
 P: (719) 227-7388
 F: (719) 227-7392

DESIGNED BY: CEB DATE: 8/22/19
 DRAWN BY: CEB DATE: 8/22/19
 CHECKED BY: DATE:

SCALE: HORIZ: 1"=50' VERT: 1"=5'
 STATION: FROM: 0+00 TO: 9+00

SPRINGS AT WATERVIEW - AMENDED STORM

STORM B PROFILE

DATE	DESCRIPTION
14	
19	

PROJECT NUMBER: 0102.2