

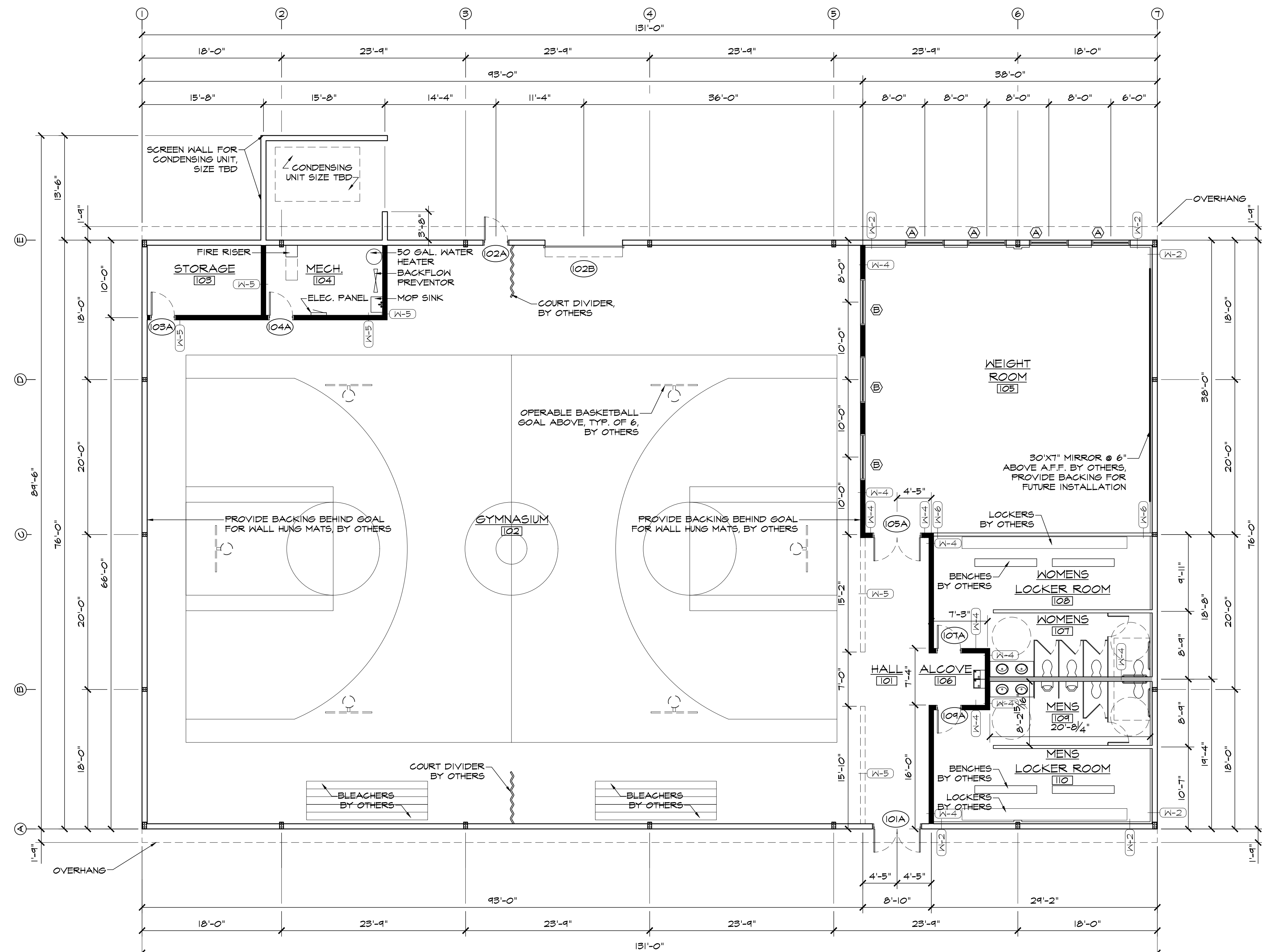
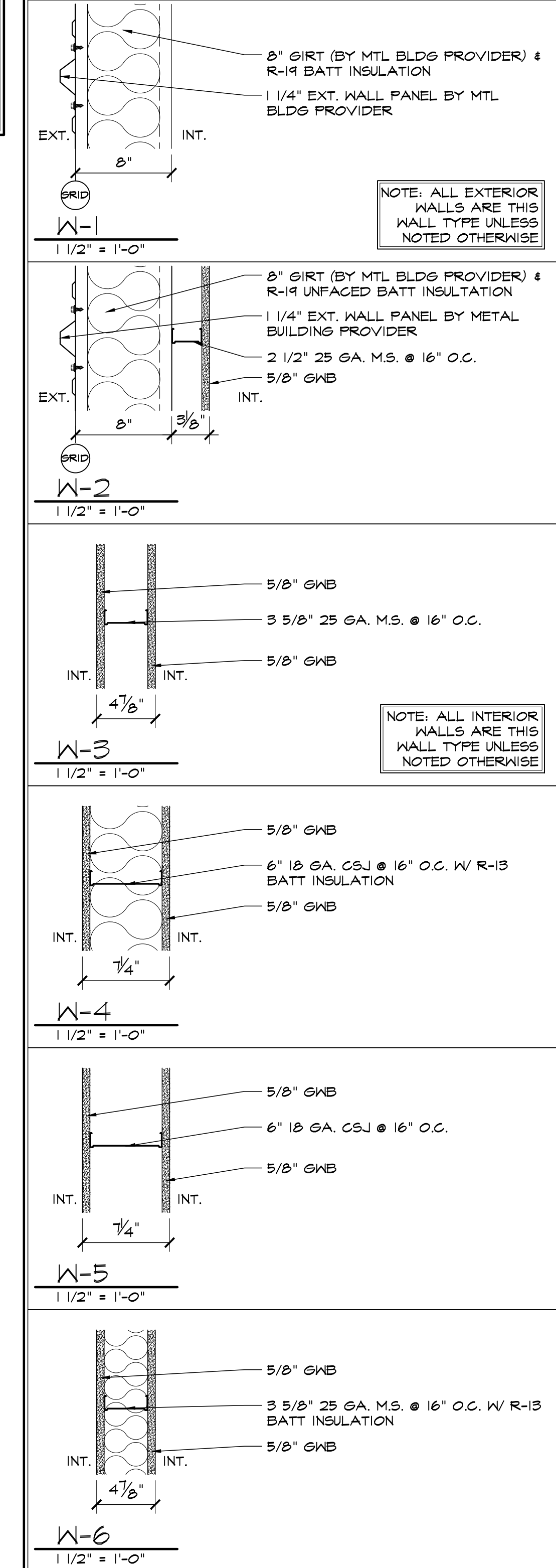
**GENERAL FLOOR PLAN NOTES**

- REFERENCE DOOR SCHEDULE FOR ALL DOOR TYPES, HARDWARE AND ETC.
- EXIT DOORS SHALL SWING IN THE DIRECTION OF EXIT TRAVEL WHEN SERVING ANY HAZARDOUS AREA OR WHEN SERVING AN OCCUPANT LOAD OF 50 OR MORE.
- ALL GLAZING IN DOORS OR WITHIN TWENTY FOUR INCHES (24") OF DOORS AND WITHIN EIGHTEEN INCHES (18") OF WALKING SURFACE SHALL BE TEMPERED.
- PROVIDE CONTROL JOINTS AT A MIN. OF 30'-0" AT ALL GYP. BD. WALLS.
- PROVIDE TRANSITION STRIPS AT ALL FLOOR MATERIAL CHANGES.
- FINISH FLOOR ELEVATIONS ARE TO TOP OF CONCRETE UNLESS NOTED OTHERWISE. FLOOR SLABS ARE TO BE LEVEL WITHIN CLASS B TOLERANCES. REFER TO CIVIL & STRUCTURAL DRAWINGS FOR ADDITIONAL INFO.
- REFER TO PLUMBING PLANS FOR HOSE BIB LOCATIONS AND LANDSCAPE METER/STUB LOCATIONS
- DOOR OPENINGS IN PARTITIONS NOT DIMENSIONED ARE TO BE LOCATED WITHIN 4" OF ADJACENT PERPENDICULAR PARTITION. PROVIDE 18" CLEAR AT STRIKE SIDE AND 12" ON PUSH SIDE OF DOOR OPENING.
- ALL INTERIOR WALLS AND PARTITIONS SHALL BE TAPED AND SANDED SMOOTH TO RECEIVE PAINT OR WALL FINISH MATERIAL.
- FURNISH AND INSTALL 16 GAUGE METAL STRAP FOR WALL BACKING AT DOOR STOPS, HANGING WALL, EQUIPMENT, ETC. VERIFY EXACT BACKING LOCATIONS PRIOR TO INSTALLATION.
- PROVIDE AND LOCATE ACCESS DOORS AND PANELS IN THE WALL AS REQUIRED TO PROVIDE ACCESS TO FIRE SPRINKLER, PLUMBING AND ELECTRICAL WORK.
- ALL PLUMBING CLEANOUTS SHALL BE INSTALLED WHERE READILY ACCESSIBLE. THE CONTRACTOR SHALL COORDINATE ALL CLEAN-OUT LOCATIONS WITH EQUIPMENT. PROPER CAPS MUST BE INSTALLED PRIOR TO COMPLETION OF INTERIOR AND EXTERIOR.
- PROVIDE AND INSTALL STIFFENERS, BRACING, BACK-UP PLATES AND/OR SUPPORTING BRACKETS AS REQUIRED FOR THE INSTALLATION OF WALL MOUNTED OR SUSPENDED, ELECTRICAL AND MISC. EQUIPMENT.
- ALL EXTERIOR DOORS MUST OPEN OVER A LANDING NOT MORE THAN 1/2" BELOW THRESHOLD.
- PROVIDE A SLIP-TRACK ASSEMBLY AT ALL PARTITION WALLS THAT GO TO BOTTOM OF DECK OR STRUCTURE.
- PREPARE ALL FLOOR SURFACES AND WALLS AS REQUIRED TO RECEIVE FINISHES.
- REFER TO CIVIL AND SITE PLAN FOR ALL EXTERIOR SIDEWALK LOCATIONS.
- ALL MECH, ELEC, & PLUMB. REQUIREMENTS FOR EQUIPMENT SHOWN TO BE VERIFIED & COORD. W/ G.C. PRIOR TO INSTALLATION.
- REFER TO MECH, ELEC, & PLUMB. FOR BUILDING SYSTEMS EQUIPMENT.
- PROVIDE SAW CUT IN CONCRETE SLAB AT A MIN. OF 10'-0" O.C.
- VERIFY DOOR & WINDOW ROUGH OPENINGS WITH MANUFACTURER PRIOR TO FRAMING.

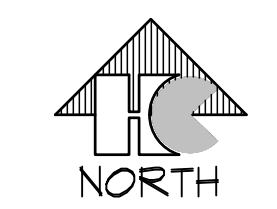
**FLOOR PLAN LEGEND**

- FULL HEIGHT WALL
- 6" MTL STUD, 10'-0" HIGH WALL
- 48" HIGH WALL
- 10'-0" HIGH WALL

**WALL TYPE DETAILS**



**1 FLOOR PLAN**  
 SCALE: 1/8" = 1'-0"



FOR DP SUBMITTAL ONLY

**HAMMERS CONSTRUCTION INC.**  
 COMMERCIAL GENERAL CONTRACTORS SPECIALIZING IN DESIGN/BUILD  
 PRESIDENT: STEVE R. HAMMERS  
 VICE PRES: DAVID J. HAMMERS  
 1411 WOODLEY HEIGHTS  
 COLORADO SPRINGS, CO 80915  
 (719) 570-1599 FAX (719) 570-7008  
 www.hammersconstruction.com

THIS DRAWING CONTAINS MATERIAL & INFORMATION WHICH MAY NOT BE REPRODUCED WITHOUT WRITTEN CONSENT OF HAMMERS CONSTRUCTION INC. THESE DRAWINGS ARE INTENDED TO BE USED ONLY BY HAMMERS CONSTRUCTION & ITS REPRESENTATIVES. THESE DRAWINGS HAVE NOT BEEN PREPARED FOR ANY OTHER PURPOSE THAN TO INDICATE THE GENERAL FEATURES AND PLACEMENT OF THE PROPOSED PROJECT. COPYRIGHT © 2020 HAMMERS CONSTRUCTION

**WOODMEN HILLS RECREATION CENTER**  
 91205 MERIDIAN RANCH BLVD.  
 FEYTON, CO 80831  
 EL PASO COUNTY, COLORADO

DATE: OCT. 19, 2020  
 DRAWN BY: J.CANTERBERRY  
 PROJ. MGR: E. SMITH  
 SCALE: SEE PLAN  
 APPROVED BY:  
 JOB NO: 1192

REVISIONS:


**A1.1**  
 FLOOR PLAN