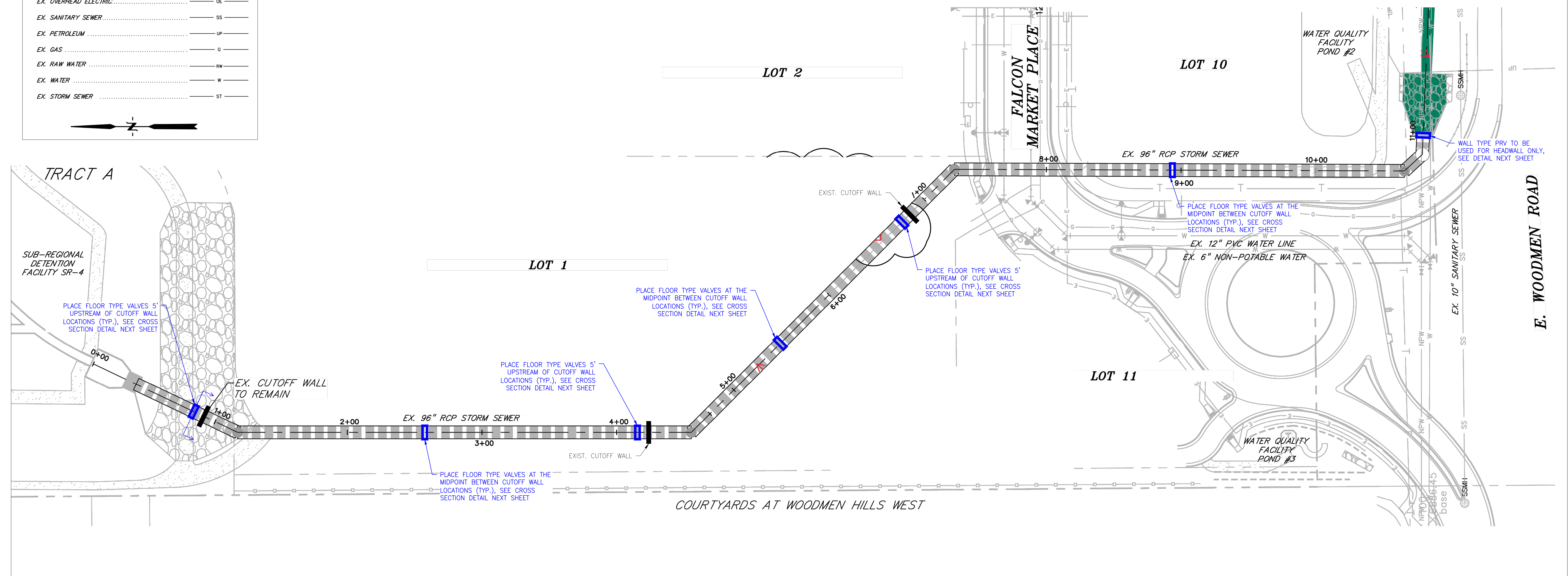
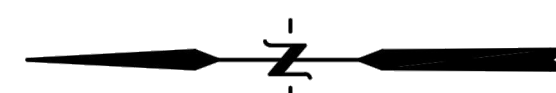


**LEGEND**

PROPERTY LINE	-----
LOT LINE	-----
EASEMENT	-----
CURB & GUTTER	=====
SIDEWALK	=====
PRO. WATER LINE	-----
PRO. FIRE HYDRANT	-----
PRO. RAW WATER	-----
PRO. SANITARY SEWER	-----
PRO. STORM SEWER	-----
EX. OVERHEAD ELECTRIC	-----
EX. SANITARY SEWER	-----
EX. PETROLEUM	-----
EX. GAS	-----
EX. RAW WATER	-----
EX. WATER	-----
EX. STORM SEWER	-----



**PLAN VIEW**

**RICK**  
 5690 WEBSTER STREET  
 ARVADA, CO 80002  
 303-423-6036  
 rickengineering.com

**FALCON MARKETPLACE**  
 PRV SOLUTION EXHIBIT  
 PLAN VIEW

PROJECT NO: D02415 SCALE: NTS  
 DRAWN BY: KCS/JAJ DATE: 8/26/2024

C:\BIC\Projects\2024000\2415\_FalconMarketplace\Civil\Exhibits\FalconMarketplace\_PRVsolution.dwg - plotted by: gjoirain ON 2024-08-27 @ 10:39 - c:\brcs\_rns\_v2.ctb - © 2024 Rick Engineering Company

## Floor-Type Hydrostatic Tank Pressure Relief Valves (PRV's)

QUADROSEAL Design - Ductile Iron & Type 316 Cast Stainless Steel

### TRUMBULL FLOOR TYPE TANK PRESSURE RELIEF VALVES

are cast in the bottom of tanks in treatment plants to keep empty tanks from floating from an excess of groundwater beneath them. When this condition occurs, the hydrostatic pressure will open the cover of the valve allowing water to enter, thereby equalizing pressure inside and outside the tank and preventing it from floating. They will start to open at less than one foot of head. Lugs in the body prevent the cover or strainer from becoming separated from the body of the valve due to flow. Both can be removed when necessary, however, by turning to the right or left.

Both Floor Type & Wall Type Valves use two Neoprene seating surfaces so if particles of grit lodge on them, the head of liquid in the tank will force the valve closed. These valves are for low seating or unseating pressure applications only.

Improved design uses C900 pipe gaskets in bell to securely retain PVC pipe to valve.

#### Floor-Type PRV's

Available in both high-strength ductile iron and type 316 cast stainless steel models.\*

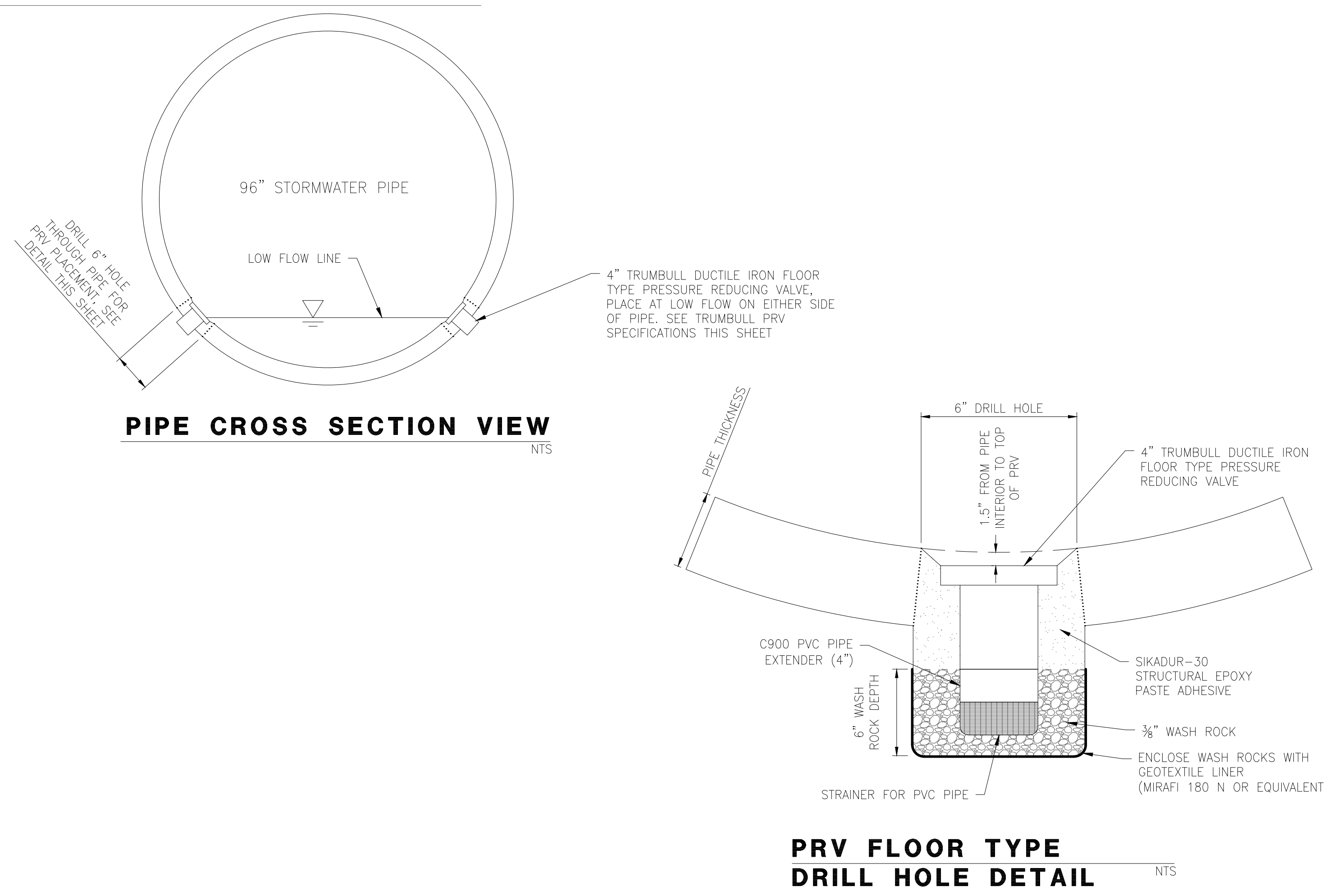
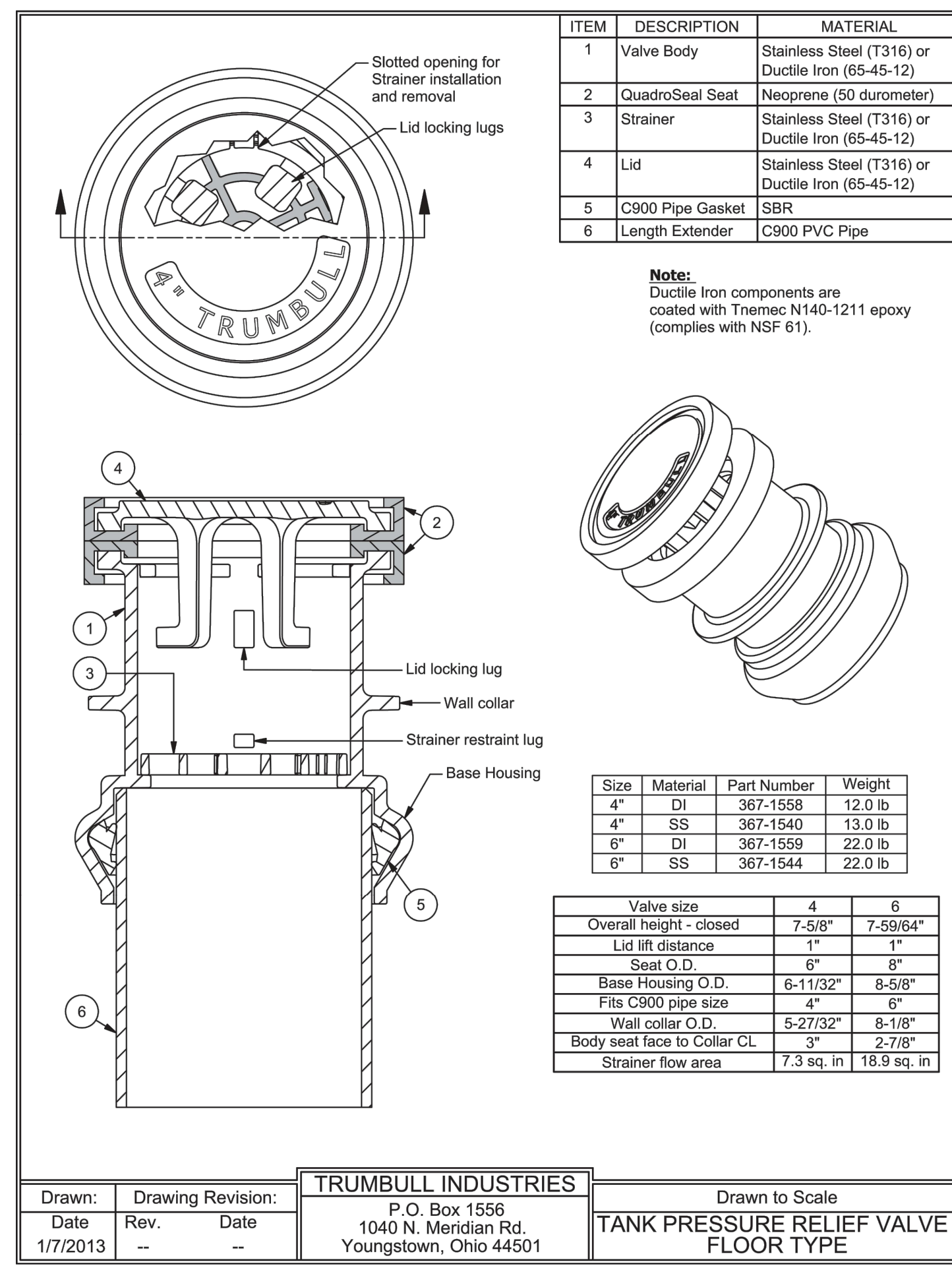
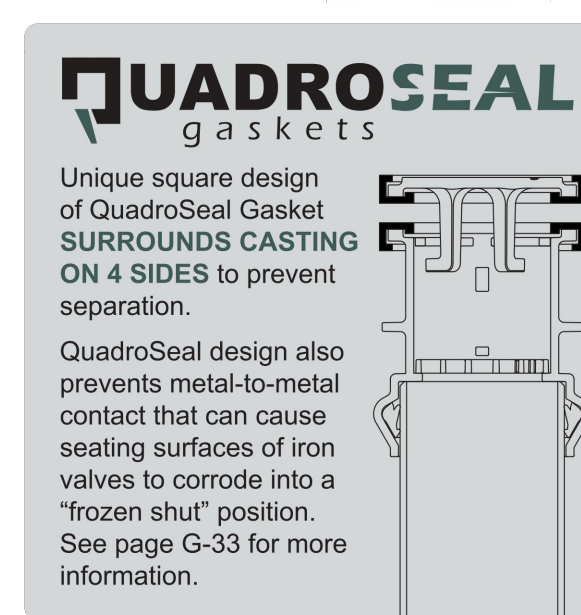
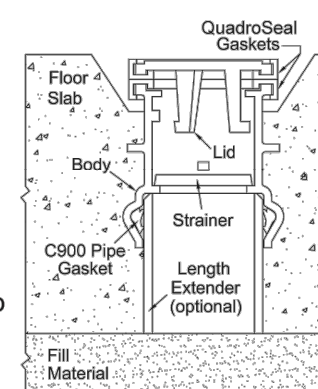
Size	Ductile Iron**		316 Stainless Steel	
	Domestic	Non-Domestic	Domestic	Non-Domestic
4"	1367-1558	367-1558	1367-1540	367-1540
6"	1367-1559	367-1559	1367-1544	367-1544

\* For product weights, see drawing on Page G-30.  
 \*\* Furnished with NSF-61, 2 part epoxy coating.

Floor type valves are cast in 4" and 6" sizes, in overall lengths of approx. 7-3/4". The lengths can be extended by inserting C900 PVC pipe into the underside of the valve. The PVC extensions can be furnished and inserted by Trumbull, to customer's exact length requirements, or in the field with customer supplied PVC pipe.

090115

Page G-29



## Wall-Type Hydrostatic Tank Pressure Relief Valves (PRV's)

QUADROSEAL Design - Ductile Iron & Type 316 Cast Stainless Steel

TRUMBULL WALL TYPE TANK PRESSURE RELIEF VALVES are designed for installation in side walls of tanks of treatment plants. They are intended for low unseating pressure applications and will start to open at less than one foot of head to relieve groundwater pressure from the exterior of tank wall. For low seating applications, contact Trumbull.

Trumbull Relief Valves use two Neoprene seating surfaces so if particles of grit lodge on them, the head of liquid in the tank will force the valve closed.

The valve has a flanged body for use with a wall pipe. The flange drilling is according to ANSI 125# STD on both sizes. The wall type valve uses a removable stainless steel hinge pin and two stainless cotter pins.

#### Wall-Type PRV's

Available in both high-strength ductile iron and type 316 cast stainless steel models.\*

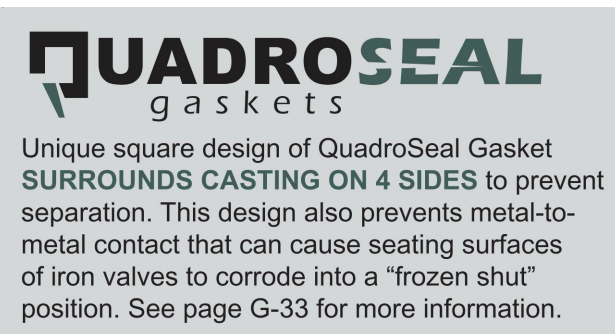
Size	Ductile Iron**		316 Stainless Steel	
	Domestic	Non-Domestic	Domestic	Non-Domestic
4"	1367-1572	367-1572	1367-1560	367-1560
6"	1367-1573	367-1573	1367-1564	367-1564

\* For product weights, see drawing on Page G-32.  
 \*\* Furnished with NSF-61, 2 part epoxy coating.

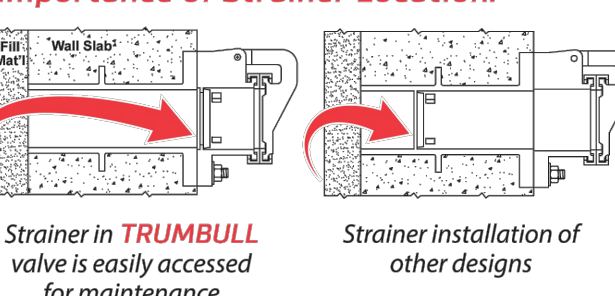
#### Wallpipes

Wallpipes are 18" long (overall) with a collar 6" from the face of the flange; they can be furnished cut-to-length to meet your requirements. The flange is tapped for studs to allow the flange on the wall pipe to be set flush with the wall. No flange accessories will be furnished unless ordered separately. Wallpipe & Wall PRV sold separately. In order for the wall type valve to operate properly, it must be installed so that the bolt holes straddle the centerline.

Size	Ductile Iron		NOTE: When stainless valves are used, wall pipes are furnished in ductile iron or fabricated from stainless pipe.
	Trumbull Item No.	Weight	
4"	367-1000	33.50 lbs.	
6"	367-1002	68.50 lbs.	



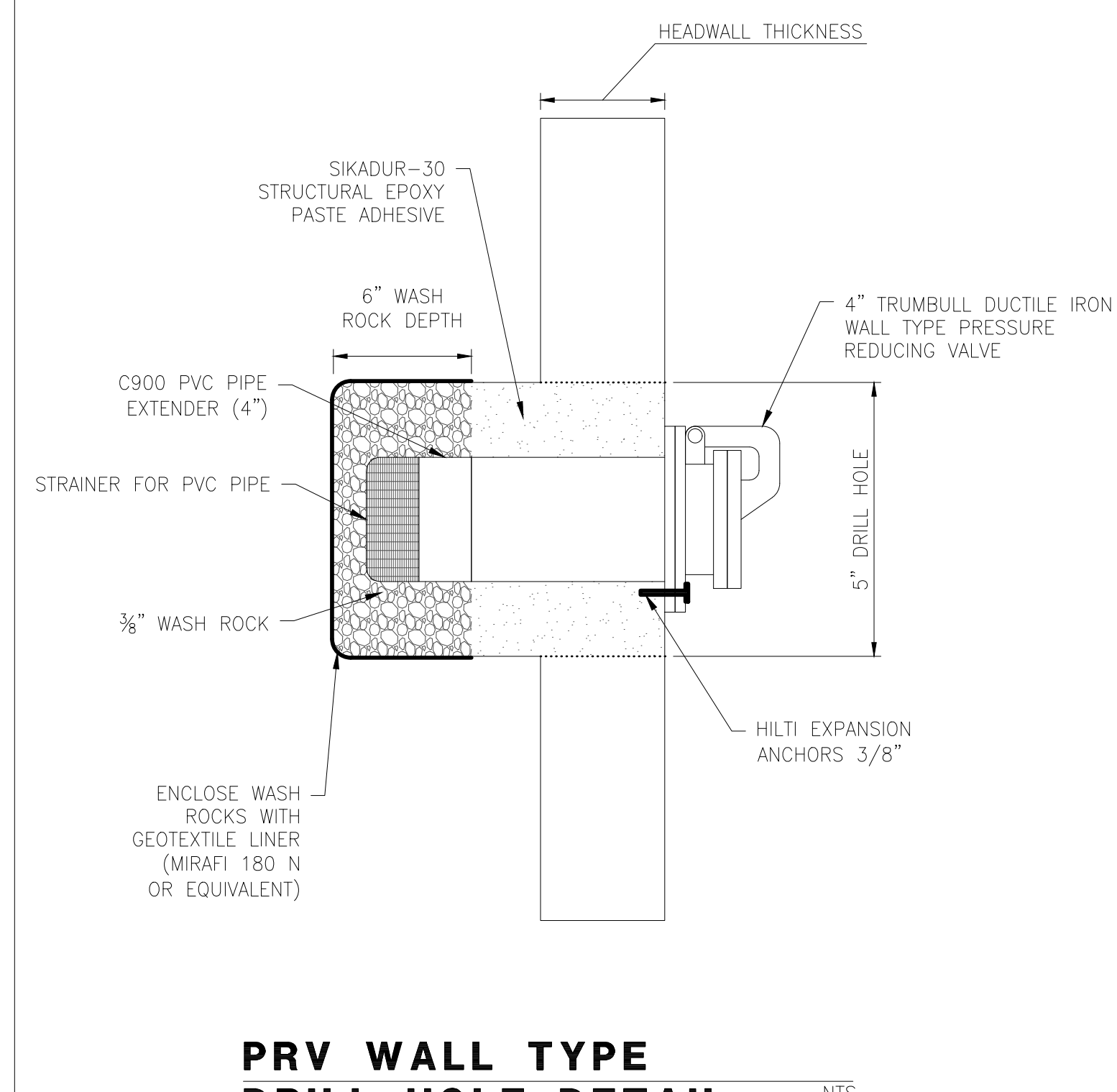
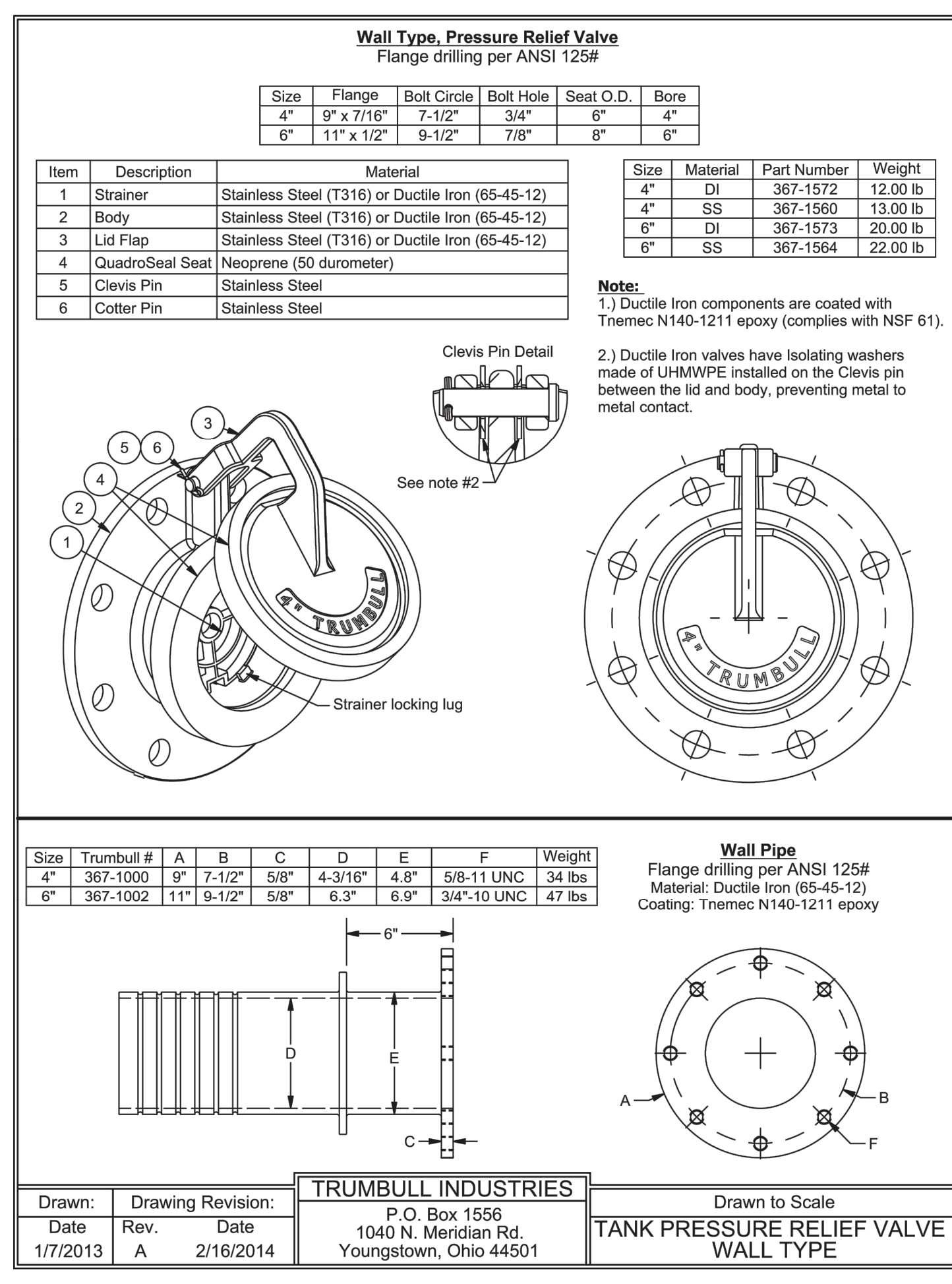
#### Importance of Strainer Location:



Easy access to strainer helps prevent blockage of flow that could lead to structural tank damage. Wallpipes are frequently provided by ductile pipe suppliers and don't have strainers. The accumulation of debris on seating surfaces can lead to leakage from the tank. To prevent that condition, specify a valve with an internal strainer.

090115

Page G-31



HEADWALL SECTION VIEW

PRV WALL TYPE DRILL HOLE DETAIL NTS