



N.E.S. Inc.  
619 N. Cascade Avenue, Suite 200  
Colorado Springs, CO 80903

Tel. 719.471.0073  
Fax 719.471.0267

www.nescolorado.com

© 2012. All Rights Reserved.

PLANNER / LANDSCAPE ARCHITECT

IN ASSOCIATION WITH

**VENTURE ON VENETUCCI**  
  
MULTI-FAMILY  
VENETUCCI BLVD  
  
OTHER INFO  
DATE: 11/05/2024  
PROJECT MGR: PROJECT MGT  
PREPARED BY: PREPARED BY

STAMP

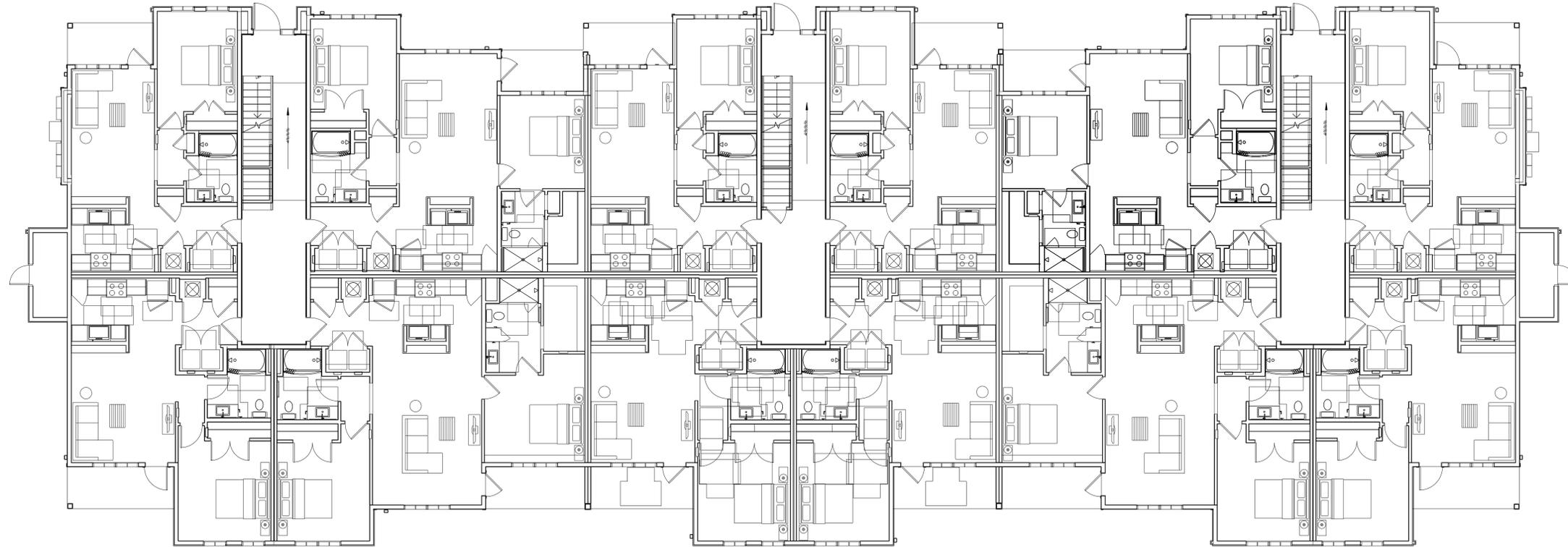
ISSUE INFO

DATE:	BY:	DESCRIPTION:
ISSUE.1	BY	DESCRIPTION

SHEET TITLE

PLAN FILE #

CPC #



Type A Building Floor Plan  
Scale: 1/8" = 1'-0"

ENTITLEMENT

ARCHITECTURAL FLOOR PLANS

32

32 OF 43

CPC #



N.E.S. Inc.  
619 N. Cascade Avenue, Suite 200  
Colorado Springs, CO 80903

Tel. 719.471.0073  
Fax 719.471.0267

www.nescolorado.com

© 2012. All Rights Reserved.

PLANNER / LANDSCAPE ARCHITECT

IN ASSOCIATION WITH

# VENTURE ON VENETUCCI

MULTI-FAMILY

VENETUCCI BLVD

OTHER INFO

DATE: 11/05/2024  
PROJECT MGR: PROJECT MGT  
PREPARED BY: PREPARED BY

STAMP

ENTITLEMENT

ISSUE INFO

DATE:	BY:	DESCRIPTION:
ISSUE.1	BY	DESCRIPTION

ISSUE / REVISION

ARCHITECTURAL FLOOR PLANS

SHEET TITLE

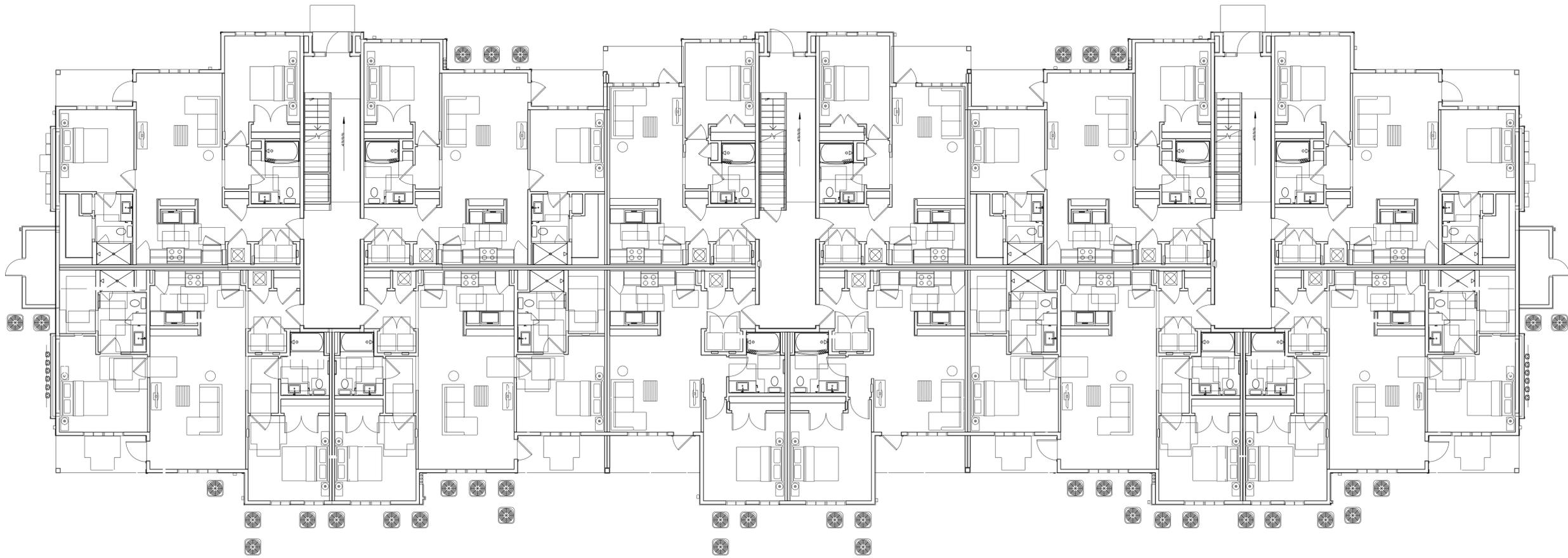
# 33

33 OF 43

SHEET NUMBER

CPC #

PLAN FILE



Type B Building Floor Plan  
Scale: 1/8" = 1'-0"



N.E.S. Inc.  
619 N. Cascade Avenue, Suite 200  
Colorado Springs, CO 80903

Tel. 719.471.0073  
Fax 719.471.0267

www.nescolorado.com

© 2012. All Rights Reserved.

PLANNER / LANDSCAPE ARCHITECT

IN ASSOCIATION WITH

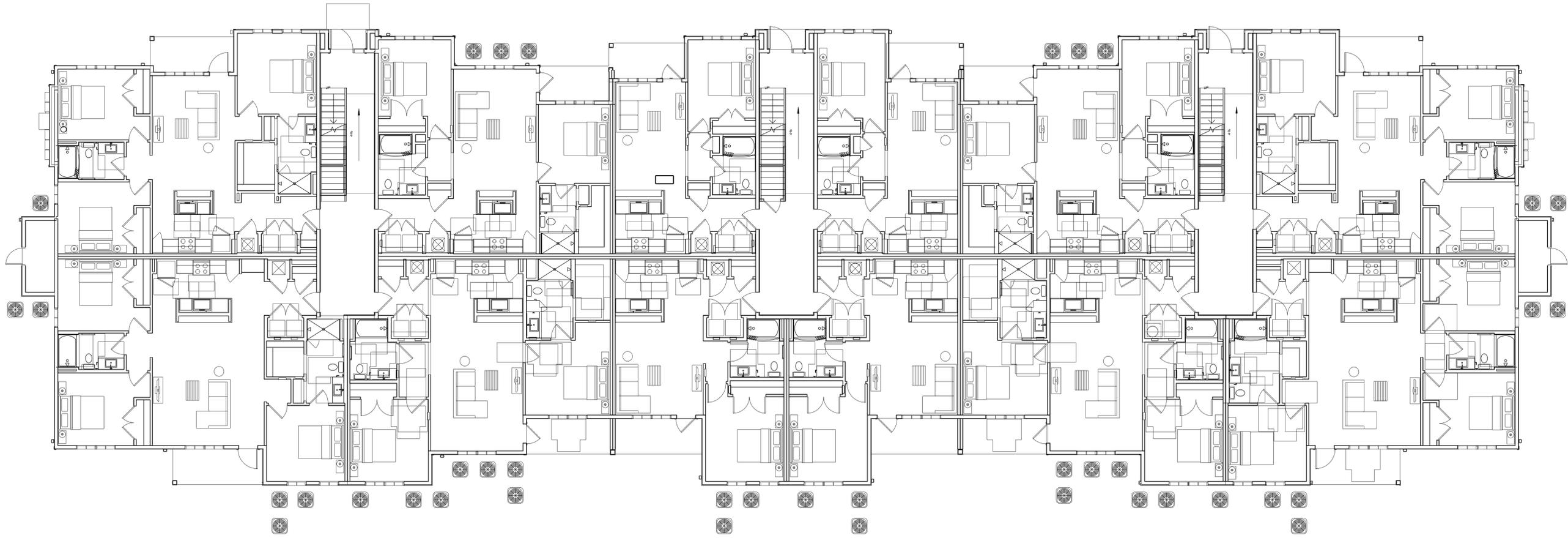
# VENTURE ON VENETUCCI

MULTI-FAMILY

VENETUCCI BLVD

OTHER INFO

DATE:	11/05/2024
PROJECT MGR:	PROJECT MGT
PREPARED BY:	PREPARED BY



Type C Building Floor Plan  
Scale: 1/8" = 1'-0"

STAMP

ENTITLEMENT

ISSUE INFO

DATE:	BY:	DESCRIPTION:
ISSUE.1	BY	DESCRIPTION

ISSUE / REVISION

ARCHITECTURAL FLOOR PLANS

SHEET TITLE

34

34 OF 43

SHEET NUMBER

CPC #

PLAN FILE #

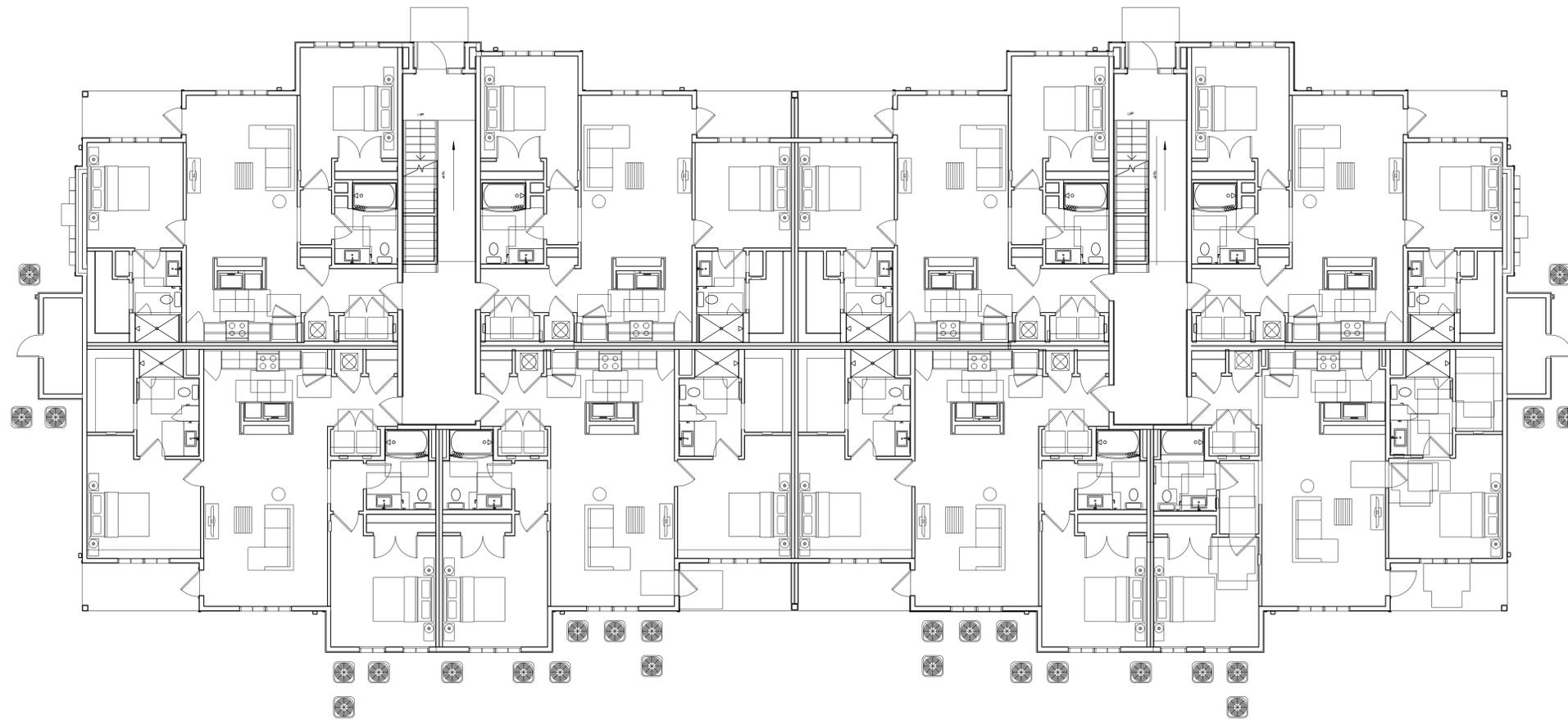


N.E.S. Inc.  
619 N. Cascade Avenue, Suite 200  
Colorado Springs, CO 80903

Tel. 719.471.0073  
Fax 719.471.0267

www.nescolorado.com

© 2012. All Rights Reserved.



Type D Building Floor Plan  
Scale: 1/8" = 1'-0"

VENTURE ON  
VENETUCCI

MULTI-FAMILY

VENETUCCI BLVD

OTHER INFO

DATE: 11/05/2024  
PROJECT MGR: PROJECT MGT  
PREPARED BY: PREPARED BY

ENTITLEMENT

DATE: BY: DESCRIPTION:  
ISSUE.1 BY: DESCRIPTION

ARCHITECTURAL FLOOR  
PLANS

35

35 OF 43

CPC #



N.E.S. Inc.  
619 N. Cascade Avenue, Suite 200  
Colorado Springs, CO 80903

Tel. 719.471.0073  
Fax 719.471.0267

www.nescolorado.com

© 2012. All Rights Reserved.

PLANNER / LANDSCAPE ARCHITECT

IN ASSOCIATION WITH

# VENTURE ON VENETUCCI

MULTI-FAMILY

VENETUCCI BLVD

OTHER INFO

DATE: 11/05/2024  
PROJECT MGR: PROJECT MGT  
PREPARED BY: PREPARED BY

STAMP

ENTITLEMENT

ISSUE INFO

DATE:	BY:	DESCRIPTION:
ISSUE.1	BY	DESCRIPTION

ISSUE / REVISION

ARCHITECTURAL FLOOR PLANS

SHEET TITLE

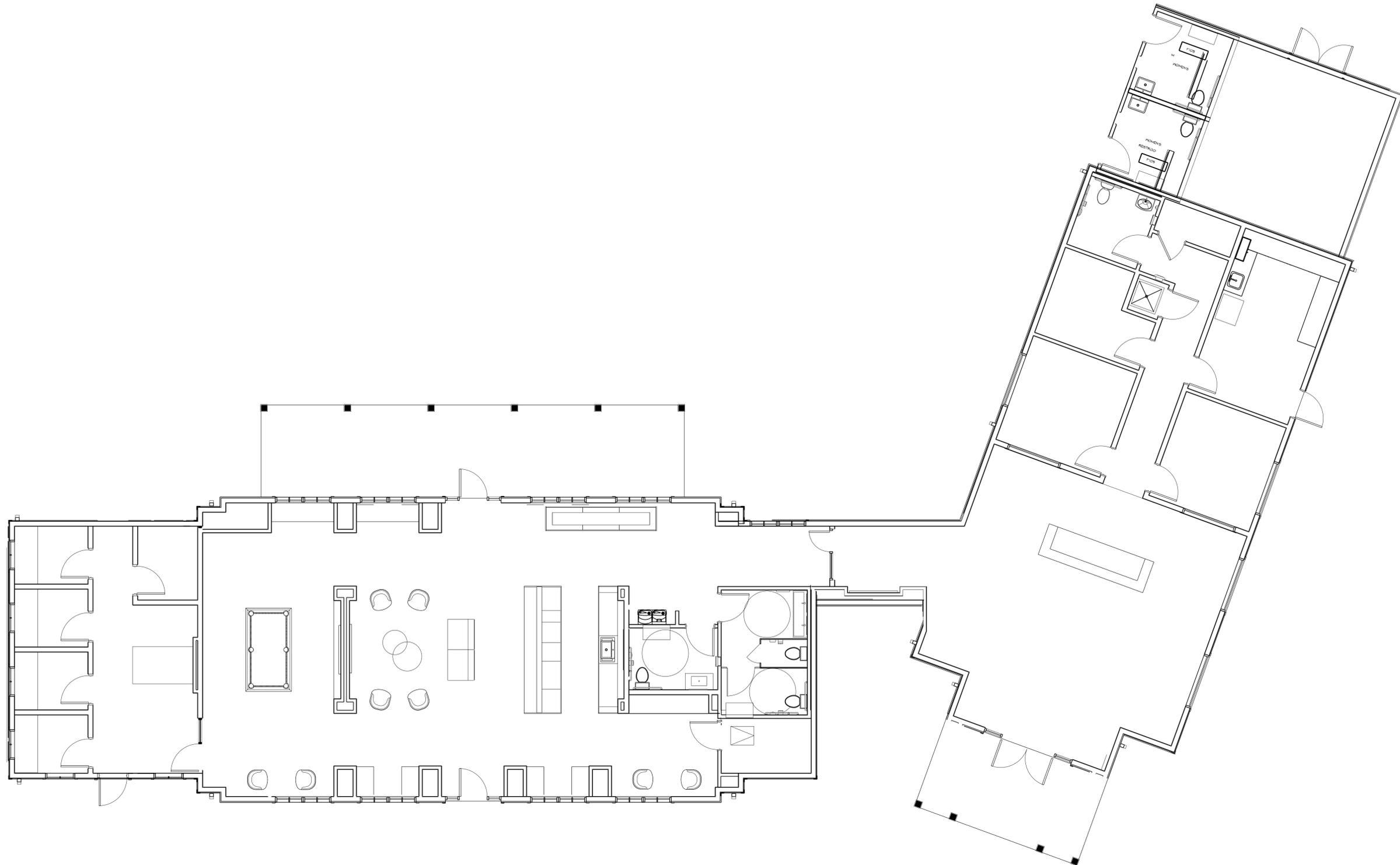
# 36

36 OF 43

SHEET NUMBER

CPC #

PLAN FILE



Clubhouse and Leasing Building Floor Plan  
Scale: 3/16" = 1'-0"



N.E.S. Inc.  
619 N. Cascade Avenue, Suite 200  
Colorado Springs, CO 80903

Tel. 719.471.0073  
Fax 719.471.0267

www.nescolorado.com

© 2012. All Rights Reserved.

PLANNER / LANDSCAPE ARCHITECT

IN ASSOCIATION WITH

# VENTURE ON VENETUCCI

MULTI-FAMILY

VENETUCCI BLVD

OTHER INFO

DATE: 11/05/2024  
PROJECT MGR: PROJECT MGT  
PREPARED BY: PREPARED BY

STAMP

ENTITLEMENT

ISSUE INFO

DATE:	BY:	DESCRIPTION:
ISSUE.1	BY	DESCRIPTION

ISSUE / REVISION

ARCHITECTURAL FLOOR PLANS

SHEET TITLE

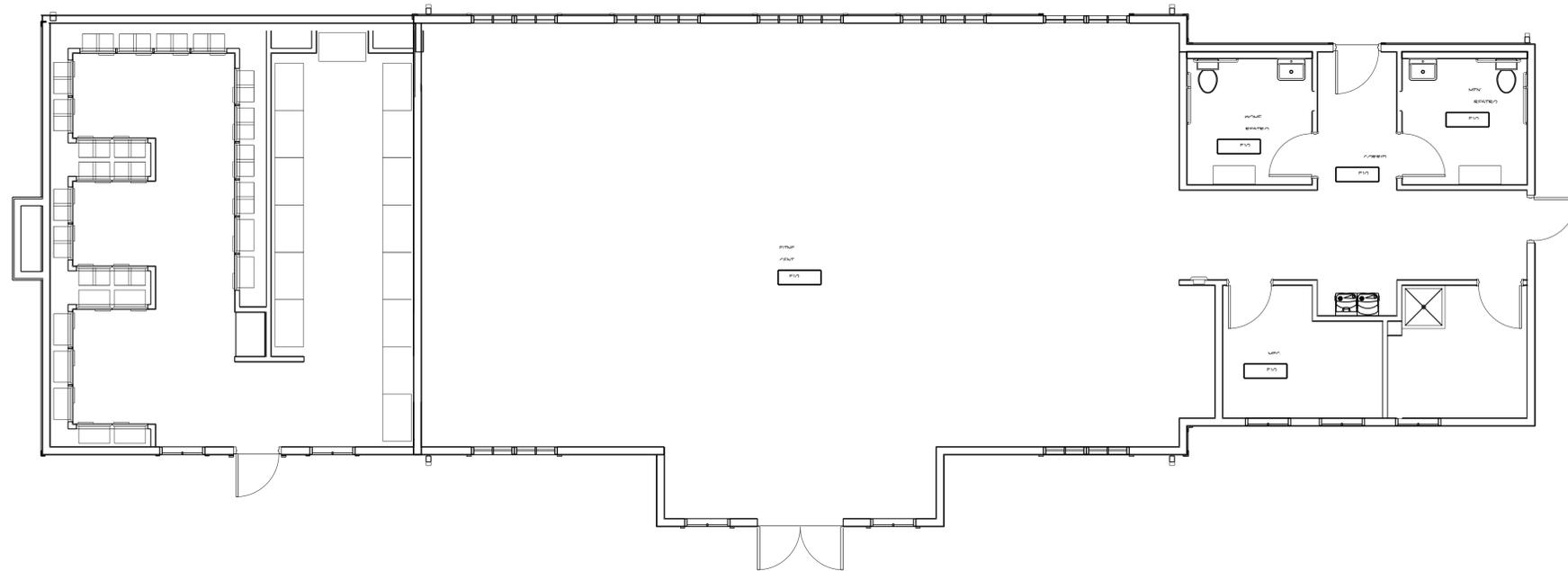
# 37

37 OF 43

SHEET NUMBER

CPC #

PLAN FILE #



Fitness and Mail Building Floor Plan  
Scale: 3/16" = 1'-0"

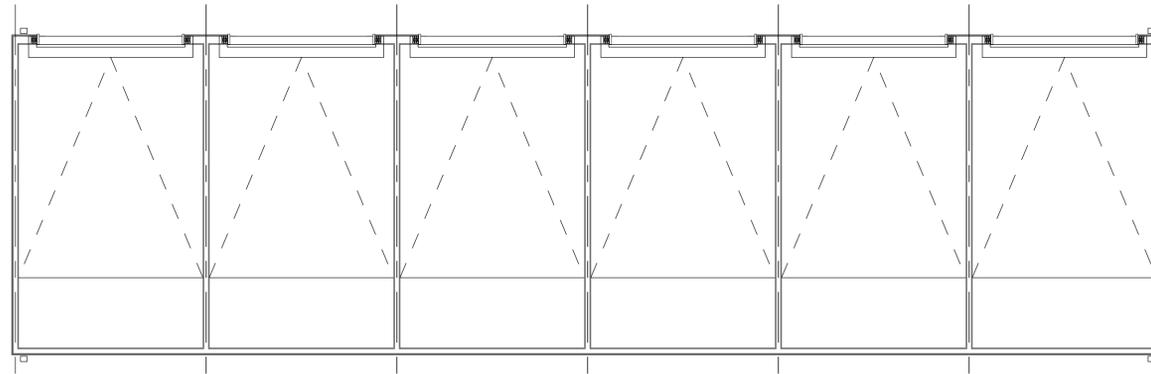


N.E.S. Inc.  
619 N. Cascade Avenue, Suite 200  
Colorado Springs, CO 80903

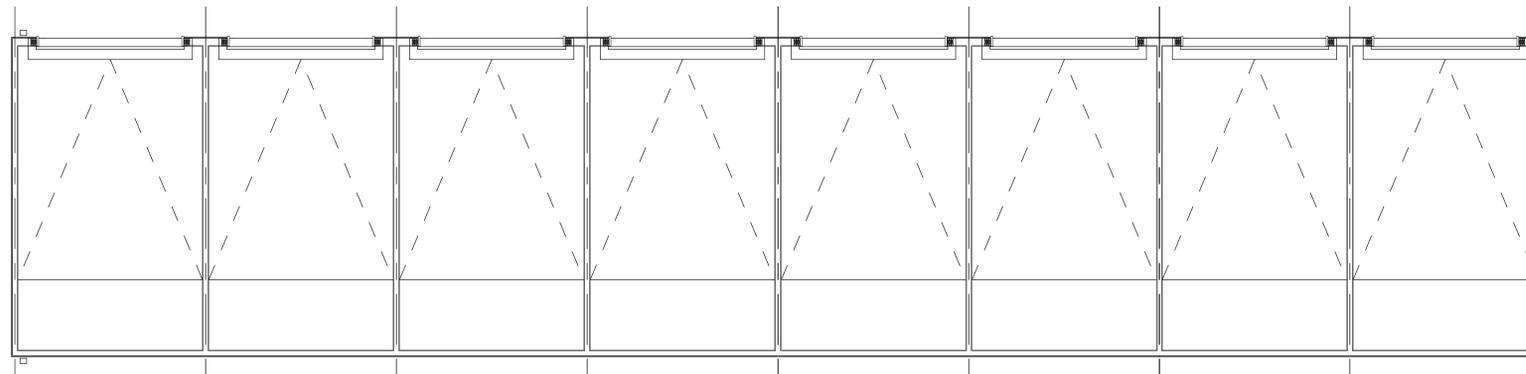
Tel. 719.471.0073  
Fax 719.471.0267

www.nescolorado.com

© 2012. All Rights Reserved.



6 Bay Garage Floor Plan  
Scale: 3/16" = 1'-0"



8 Bay Garage Floor Plan  
Scale: 3/16" = 1'-0"

VENTURE ON  
VENETUCCI

MULTI-FAMILY

VENETUCCI BLVD

OTHER INFO

DATE: 11/05/2024  
PROJECT MGR: PROJECT MGT  
PREPARED BY: PREPARED BY

ENTITLEMENT

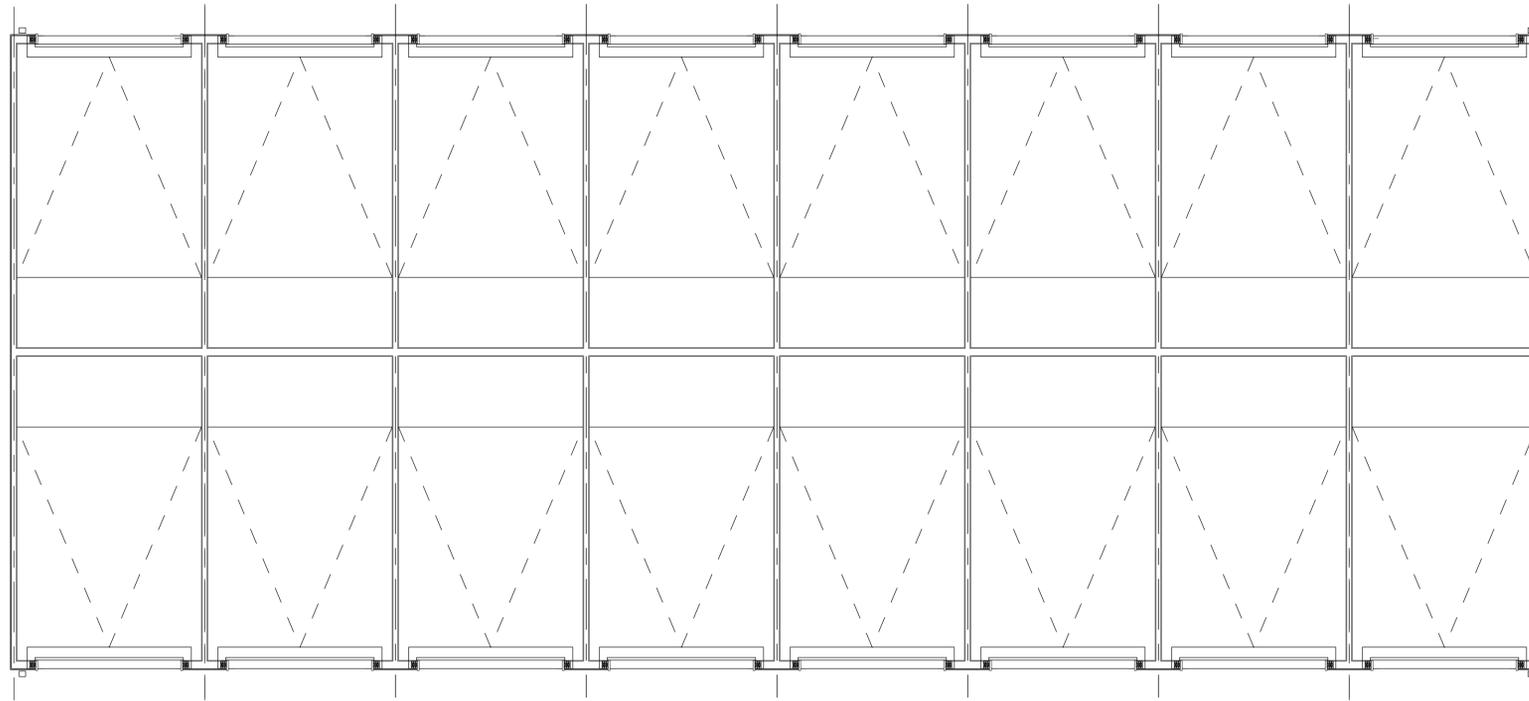
DATE:	BY:	DESCRIPTION:
ISSUE.1	BY:	DESCRIPTION

ARCHITECTURAL FLOOR  
PLANS

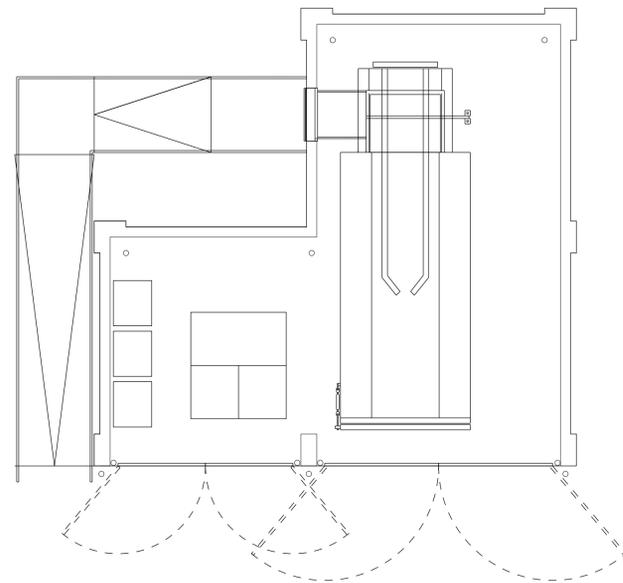
38

38 OF 43

CPC #



**16 Bay Garage Floor Plan**  
Scale: 3/16" = 1'-0"



**Trash Enclosure Floor Plan**  
Scale: 3/16" = 1'-0"



N.E.S. Inc.  
619 N. Cascade Avenue, Suite 200  
Colorado Springs, CO 80903

Tel. 719.471.0073  
Fax 719.471.0267

www.nescolorado.com

© 2012. All Rights Reserved.

PLANNING / LANDSCAPE ARCHITECT

IN ASSOCIATION WITH

**VENTURE ON VENETUCCI**

MULTI-FAMILY

VENETUCCI BLVD

OTHER INFO

DATE:	11/05/2024
PROJECT MGR:	PROJECT MGT
PREPARED BY:	PREPARED BY

STAMP

**ENTITLEMENT**

ISSUE INFO

DATE:	BY:	DESCRIPTION:
ISSUE.1	BY	DESCRIPTION

ISSUE / REVISION

SHEET TITLE

**ARCHITECTURAL FLOOR PLANS**

**39**

39 OF 43

SHEET NUMBER

PLAN FILE #

CPC #