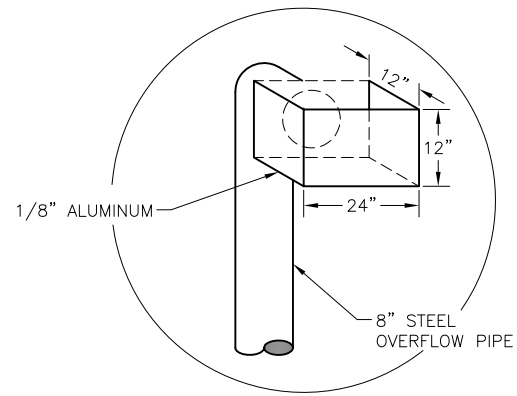


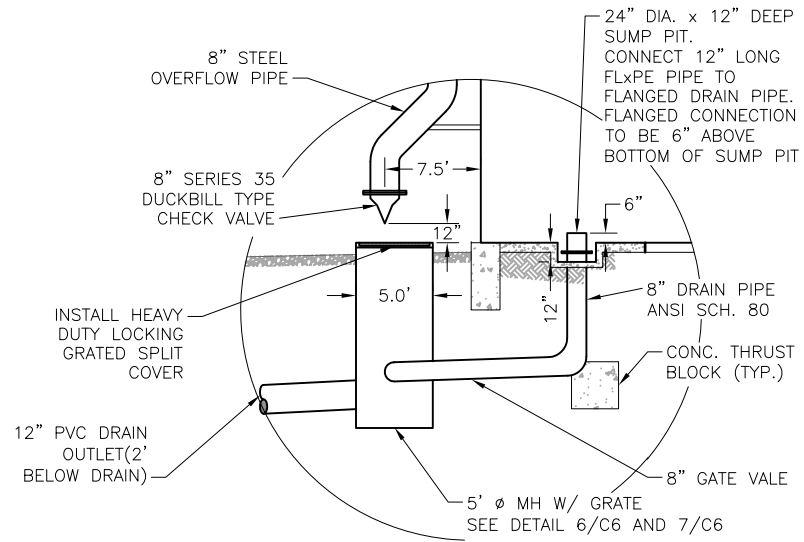
NOTES:

1. INLET AND OUTLET PIPING SHALL BE ANSI SCH. 40 STEEL (FROM TANK TO FIRST FITTING CONNECTING TO EXISTING INLET AND OUTLET PIPING), AND INTERIOR OF SAID PIPING SHALL BE COATED WITH AN EPOXY COATING AWWA APPROVED FOR DRINKING WATER. THE EXTERIOR OF INLET AND OUTLET PIPING SHALL BE COATED AS PER TANK COATING SPECIFICATIONS. THE EXTERIOR OF BURIED PIPING SHALL BE TREATED AS DESCRIBED IN SPECIFICATIONS.
2. ALL BURIED PIPE BENDS SHALL HAVE THRUST BLOCKS, AND ALL BURIED PIPE SHALL SIT ON 6" OF 3/4" CRUSHED ROCK.
3. ALL BURIED FITTINGS SHALL BE MECHANICAL JOINT, UNLESS OTHERWISE APPROVED OR NOTED.
4. ALL BURIED DUCTILE IRON AND STEEL PIPE SHALL BE CATHODICALLY PROTECTED USING 17 LB. MAGNESIUM ANODES, AND ALL FITTINGS SHALL BE CATHODICALLY PROTECTED USING 9 LB. MAGNESIUM ANODES.
5. TANK COATING TO MEET AWWA D102 REQUIREMENTS.
6. TANK LIVE LOAD AND WIND LOAD TO MEET EL PASO COUNTY/PPRBD REQUIREMENTS.

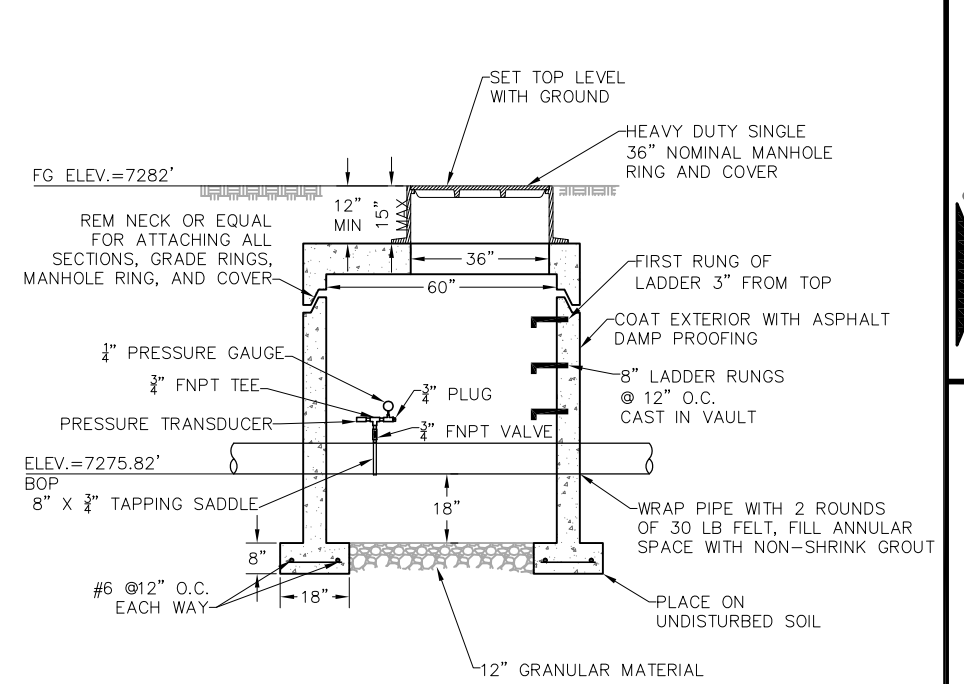


USE ABOVE DIMENSIONS OR AS NEEDED FOR 1.0 CFS WITH 0.2 FT. OF HEAD

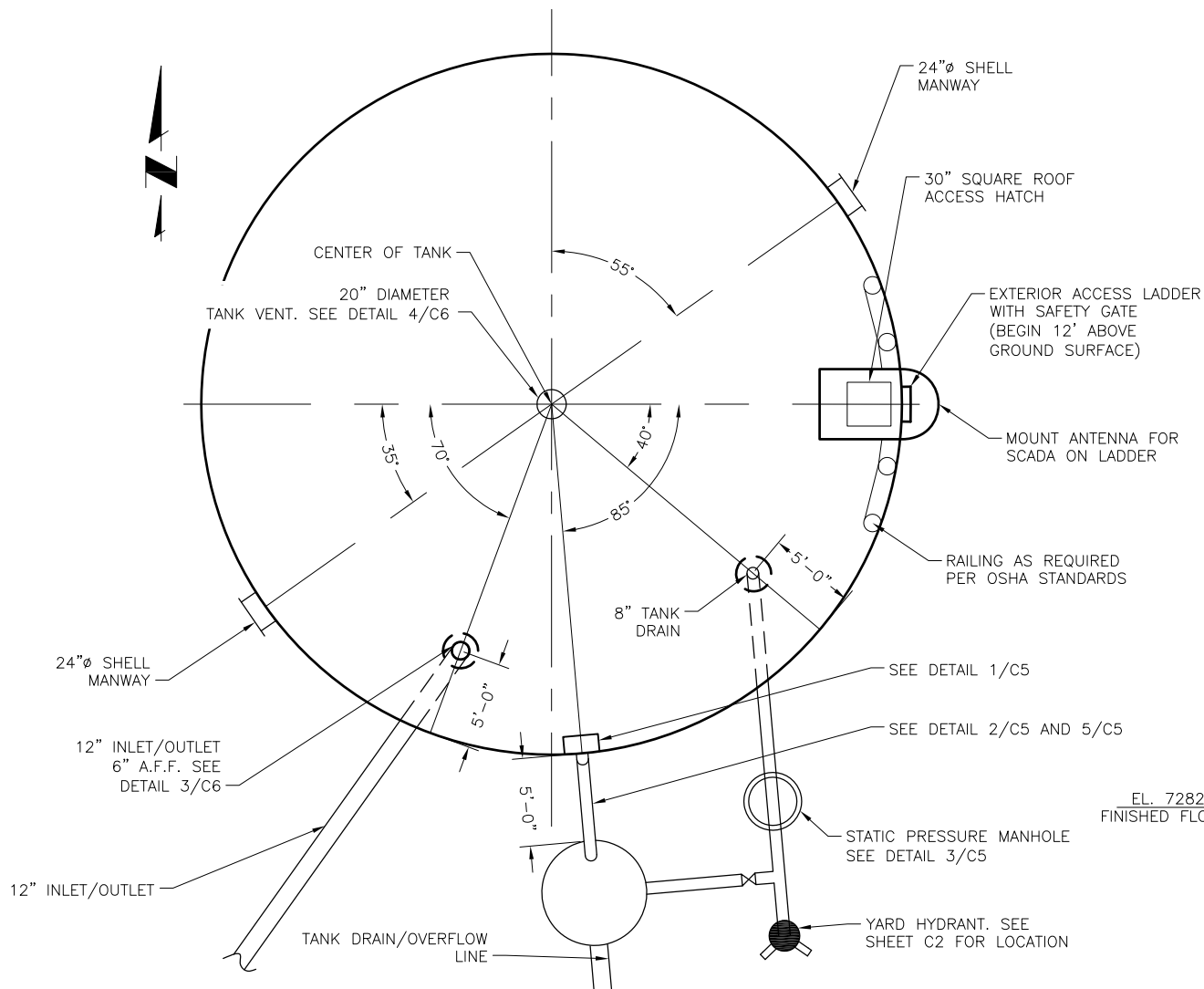
1 WEIR DETAIL
C5 SCALE: N.T.S.



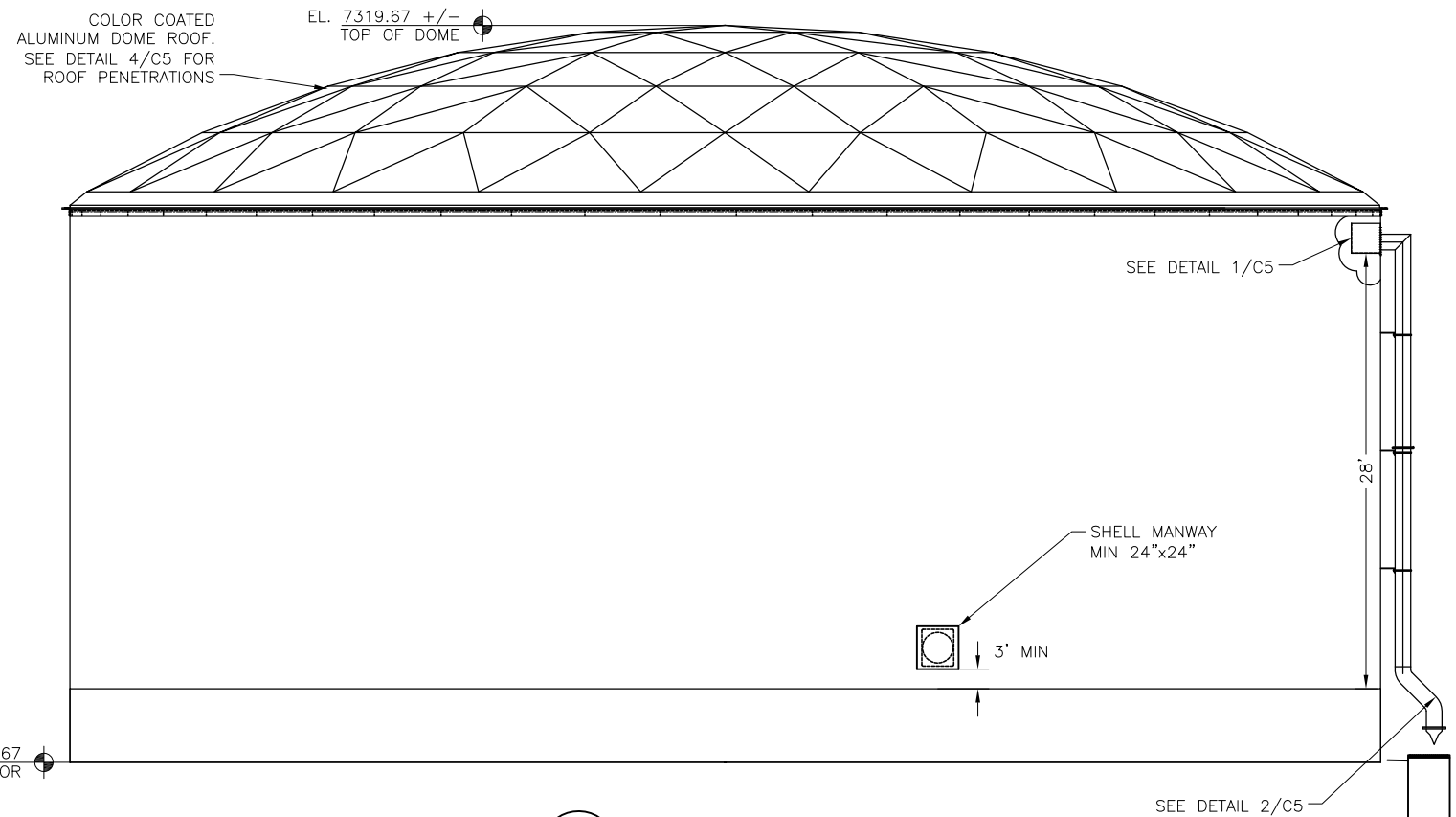
2 OVERFLOW PIPE & DRAIN MANHOLE SECTION
C5 SCALE: N.T.S.



3 STATIC PRESSURE MANHOLE DETAIL
C5 SCALE: N.T.S.



4 42' DIAMETER TANK GEOMETRY
C5 SCALE: N.T.S.



5 42' DIAMETER TANK ELEVATION
C5 SCALE: N.T.S.

JDS-HYDRO CONSULTANTS, INC.
5540 TECH CENTER DRIVE SUITE 100
COLORADO SPRINGS, COLORADO 80919
(719) 227-0072

FLRD #2, LLC.
PHASE II REGIONAL WATER IMPROVEMENTS
0.26 MG POTABLE WATER TANK
TANK ELEVATION & DETAILS

NO.	DESCRIPTION	BY	APP.	DATE
1				
2				
3				
4				
5				
6				
7				

FOR PLAN REVIEW

Project No.: 294.01
Date: 11/18/19
Design: GJD
Drawn: SNW/GGM
Check: JPM

C5
SHEET 8 OF 11

2019/11/21 1:07 PM By: ACH J:\JDS-Hydro\Project Files\294 FLRD #2 LLC\294.01 Phase II Regional Water & Sewer Facilities\Drawings\CAD\Working\Tank\294.01_Tank_Details.dwg