

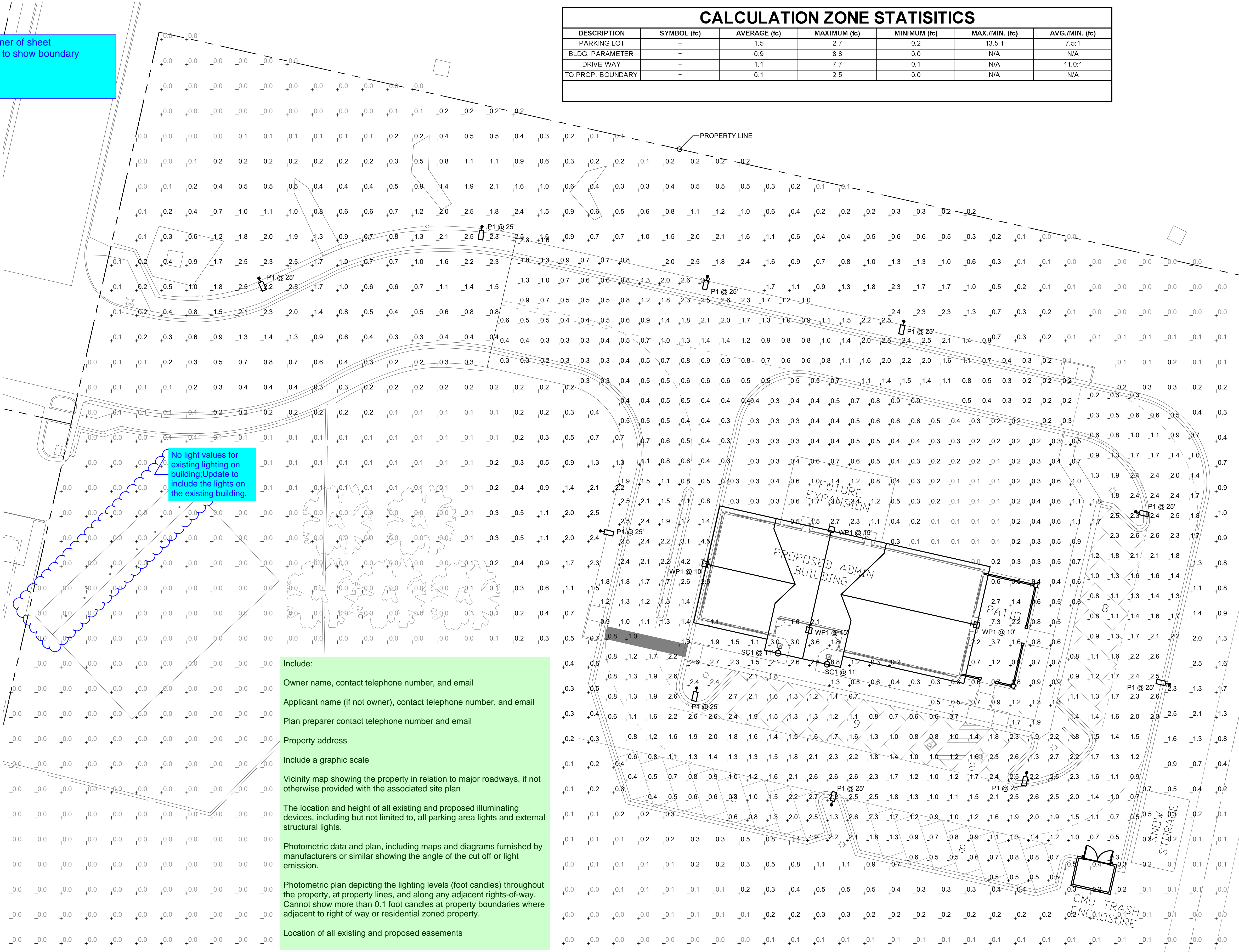
LIGHT FIXTURE SCHEDULE										
MARK	MANUF.	MODEL	LAMP			MOUNTING	DESCRIPTION	VOLTAGE	TOTAL WATTS	NOTES
			QTY.	WATT	TYPE					
P1	LITHONIA	DSX1 LED P1 40K VLS HS FBZ	1	85.5	LED	POLE @ 25'-0"	AREA LUMINAIRE	120	85.5	
SC1	LITHONIA	OLLWU LED P1 40K 120 DDB	1	13.8	LED	SURFACE	SCONCE	120	13.8	
WP1	LITHONIA	ARC1 LED P2 40K	1	16.8	LED	SURFACE	WALLPACK	120	16.8	

McShea Consulting, LLC
 MECHANICAL + ELECTRICAL + PLUMBING
 4445 Northpark Dr. Suite 200
 Colorado Springs, CO 80907
 mcsheaconsulting.com
 Project #: 21-1847



CALCULATION ZONE STATISTICS						
DESCRIPTION	SYMBOL (fc)	AVERAGE (fc)	MAXIMUM (fc)	MINIMUM (fc)	MAX./MIN. (fc)	AVG./MIN. (fc)
PARKING LOT	+	1.5	2.7	0.2	13.5:1	7.5:1
BLDG. PARAMETER	+	0.9	8.8	0.0	N/A	N/A
DRIVE WAY	+	1.1	7.7	0.1	N/A	11.0:1
TO PROP. BOUNDARY	+	0.1	2.5	0.0	N/A	N/A

- Please add PCD File number to right corner of sheet
 - Add Property lines around entire lot area to show boundary



No light values for existing lighting on building. Update to include the lights on the existing building.

Include:
 Owner name, contact telephone number, and email
 Applicant name (if not owner), contact telephone number, and email
 Plan preparer contact telephone number and email
 Property address
 Include a graphic scale
 Vicinity map showing the property in relation to major roadways, if not otherwise provided with the associated site plan
 The location and height of all existing and proposed illuminating devices, including but not limited to, all parking area lights and external structural lights.
 Photometric data and plan, including maps and diagrams furnished by manufacturers or similar showing the angle of the cut off or light emission.
 Photometric plan depicting the lighting levels (foot candles) throughout the property, at property lines, and along any adjacent rights-of-way. Cannot show more than 0.1 foot candles at property boundaries where adjacent to right of way or residential zoned property.
 Location of all existing and proposed easements



4 ARC1 WALLPACK LUMINAIRE
 ES0.1 SCALE: NONE



3 OLLWU SCONCE LUMINAIRE
 ES0.1 SCALE: NONE



2 DSX1 AREA LUMINAIRE
 ES0.1 SCALE: NONE

1 SITE PHOTOMETRIC PLAN
 ES0.1 SCALE: 1"=20'-0"



Design Development Consultants @
 1310 FORD STREET
 COLORADO SPRINGS, CO 80915
 (719) 570-1456
 (C) ALL RIGHTS RESERVED

Revisions	DESCRIPTION	DATE
#		

CO. CTR. METRO. DISTRICT ADMINISTRATION BUILDING
 9686 FLAGSTONE STREET
 COLORADO SPRINGS, CO 80916
 D2-0321
 CDD'S

DATE	05-27-2021
CHECKED	MRM
DRAWN BY	CCF

ES0.1

C:\Users\ConeForrester\McShea\Shared - Documents\Projects\1847 - CCM Administration Building\Drawings\MEP\2021.09.10_Site Photometric Updates\2021.09.10_CCM Admin Building - Site Photometric.dwg, 9/10/2021 12:34:11 PM, DWG To PDF.pc3



D-Series VC Size 1 LED Area Luminaire

d#series



Catalog Number
Notes
Type

Hit the Tab key or mouse over the page to see all interactive elements.

A+ Capable Luminaire

This item is an A+ capable luminaire, which has been designed and tested to provide consistent color appearance and system-level interoperability.

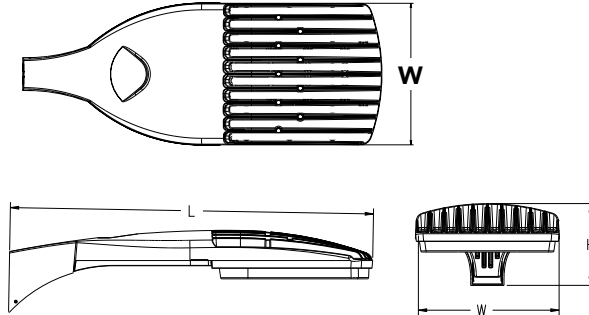
- All configurations of this luminaire meet the Acuity Brands' specification for chromatic consistency
- This luminaire is A+ Certified when ordered with DTL[®] controls marked by a **shaded background**. DTL DLL equipped luminaires meet the A+ specification for luminaire to photocontrol interoperability¹
- This luminaire is part of an A+ Certified solution for ROAM[®] or XPoint[™] Wireless control networks, providing out-of-the-box control compatibility with simple commissioning, when ordered with drivers and control options marked by a **shaded background**¹

To learn more about A+, visit www.acuitybrands.com/aplus.

- See ordering tree for details.
- A+ Certified Solutions for ROAM require the order of one ROAM node per luminaire. Sold Separately: [Link to Roam](#); [Link to DTL DLL](#)

Specifications

EPA:	1.01 ft ² (0.09 m ²)
Length:	33" (83.8 cm)
Width:	13" (33.0 cm)
Height:	7-1/2" (19.0 cm)
Weight (max):	27 lbs (12.2 kg)



A+ Capable options indicated by this color background.

Ordering Information

EXAMPLE: DSX1 LED P3 30K VLS MVOLT SPA FAO DDBXD

DSX1LED					
Series	Lumen Package	Color temperature	Distribution	Voltage	Mounting
DSX1 LED	P1 11,000 Lumen Package	30K 3000 K	VLS Symmetric	MVOLT ¹	Shipped included SPA Square pole mounting RPA Round pole mounting WBA Wall bracket SPUMBA Square pole universal mounting adaptor ⁴ RPUMBA Round pole universal mounting adaptor ⁴ Shipped separately KMA8 DDBXD U Mast arm mounting bracket adaptor (specify finish) ⁵
	P2 15,000 Lumen Package	40K 4000 K		120 ²	
	P3 18,000 Lumen Package	50K 5000 K		208 ²	
			240 ²		
			277 ²		
			347 ^{2,3}		
			480 ^{2,3}		

Control options	Other options	Finish (required)
Shipped installed NLTAIR2 nLight AIR generation 2 enabled ⁶ PER NEMA twist-lock receptacle only (no controls) ⁷ PER5 Five-wire receptacle only (no controls) ^{7,8} PER7 Seven-wire receptacle only (no controls) ^{7,8} DMG 0-10V dimming driver (no controls) PIR Bi-level, motion/ambient sensor, 8-15' mounting height, ambient sensor enabled at 5fc ^{9,10} PIRH Bi-level, motion/ambient sensor, 15-30' mounting height, ambient sensor enabled at 5fc ^{9,10} PIRHN Network, Bi-Level motion/ambient sensor ¹ PIR1FC3V Bi-level, motion/ambient sensor, 8-15' mounting height, ambient sensor enabled at 1fc ^{9,10}	PIRH1FC3V Bi-level, motion/ambient sensor, 15-30' mounting height, ambient sensor enabled at 1fc ^{9,10} BL30 Bi-level switched dimming, 30% ^{12,13} BL50 Bi-level switched dimming, 50% ^{12,13} PNMTDD3 Part night, dim till dawn ¹⁴ PNMTSD3 Part night, dim 5 hrs ¹⁴ PNMT6D3 Part night, dim 6 hrs ¹⁴ PNMT7D3 Part night, dim 7 hrs ¹⁴ FAO Field adjustable output ¹⁵ Shipped installed SF Single fuse (120, 277, 347V) ² DF Double fuse (208, 240, 480V) ² FBZ Flat bezel Shipped separately HS House-side shield ^{16,17,18} BS Bird spikes ¹⁶ WG Wireguard ^{16,18}	DDBXD Dark bronze DBLXD Black DNAXD Natural aluminum DWHXD White DDBTXD Textured dark bronze DBLTXD Textured black DNATXD Textured natural aluminum DWHGXD Textured white



Accessories

Ordered and shipped separately.

Controls & Shields

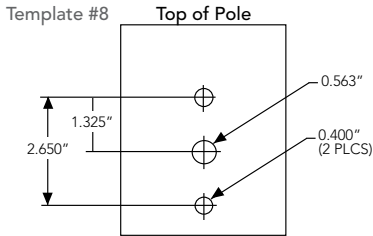
DLL127F 1.5 JU	Photocell - SSL twist-lock (120-277V) ¹⁹
DLL347F 1.5 CUL JU	Photocell - SSL twist-lock (347V) ¹⁹
DLL480F 1.5 CUL JU	Photocell - SSL twist-lock (480V) ¹⁹
PUMBA DDBXD U*	Square and round pole universal mounting bracket (specify finish) ²⁰
KMA8 DDBXD U	Mast arm mounting bracket adaptor (specify finish) ⁵

For more control options, visit [DTL](#) and [ROAM](#) online.

Notes

- MVOLT driver operates on any line voltage from 120-277V (50/60 Hz).
- Single fuse (SF) requires 120V, 277V or 347V. Double fuse (DF) requires 208V, 240V or 480V.
- Not available with BL30, BL50 or PNMT options.
- Existing drilled pole only. Available as a separate combination accessory; for retrofit use only: PUMBA (finish) U; 1.5 G vibration load rating per ANCI C136.31.
- Must order fixture with SPA mounting. Must be ordered as a separate accessory; see Accessories information. For use with 2-3/8" mast arm (not included).
- Must be ordered with PIRHN.
- Photocell ordered and shipped as a separate line item from Acuity Brands Controls. See accessories. Shorting Cap included.
- If ROAM® node required, it must be ordered and shipped as a separate line item from Acuity Brands Controls. Shorting Cap included.
- Reference Motion Sensor table on page 3.
- Reference Motion Sensor Default Settings on page 3 to see functionality.
- Must be order with NLTAIR2. For more information on nLight Air 2 [visit this link](#).
- Requires (2) separately switched circuits with isolated neutral.
- Not available with 347V, 480V, PNMT. For PER5 or PER7 see PER Table on page 3.
- Not available with 347V, 480V, BL30 and BL50. For PER5 or PER7 see PER Table on page 3. Separate Dusk to Dawn required.
- Not available with other dimming controls options.
- Must be ordered with fixture for factory pre-drilling. Not field installable.
- HS available in black only.
- HS not available with WG option.
- Requires luminaire to be specified with PER option. See PER Table.
- For retrofit use only.

Drilling



DSX1 shares a unique drilling pattern with the AERIS™ family. Specify this drilling pattern when specifying poles, per the table below.

DM19AS	Single unit	DM29AS	2 at 90°*
DM28AS	2 at 180°	DM39AS	3 at 90°*
DM49AS	4 at 90°*	DM32AS	3 at 120°**

Example: SSA 20 4C DM19AS DDBXD

Visit Lithonia Lighting's [POLES CENTRAL](#) to see our wide selection of poles, accessories and educational tools.

*Round pole top must be 3.25" O.D. minimum.

**For round pole mounting (RPA) only.

Tenon Mounting Slipfitter**

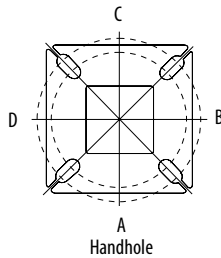
Tenon O.D.	Single Unit	2 at 180°	2 at 90°	3 at 120°	3 at 90°	4 at 90°
2-3/8"	AST20-190	AST20-280	AST20-290	AST20-320		
2-7/8"	AST25-190	AST25-280	AST25-290	AST25-320		
4"	AST35-190	AST35-280	AST35-290	AST35-320	AST35-390	AST35-490

Motion Sensor Default Settings (Any other presets require an RFD)

Option	Dimmed State	High Level (when triggered)	Photocell Operation	Dwell Time	Ramp-up Time	Ramp-down Time
*PIR or PIRH	3V (37%) Output	10V (100%) Output	Enabled @ 5FC	3 sec	5 min	5 min
PIR3FC3V or PIRH3FC3V	3V (37%) Output	10V (100%) Output	Enabled @ 3FC	3 sec	5 min	5 min

*for use with Inline Dusk to Dawn or timer

HANDHOLE ORIENTATION



Pole drilling nomenclature: # of heads at degree from handhole (default side A)

DM19AS	DM28AS	DM29AS	DM32AS	DM39AS	DM49AS
1 @ 90°	2 @ 280°	2 @ 90°	3 @ 120°	3 @ 90°	4 @ 90°
Side B	Side B & D	Side B & C	Round pole only	Side B, C, & D	Sides A, B, C, D

Note: Review luminaire spec sheet for specific nomenclature

PER Table

Control	PER (3 wire)	PER5 (5 wire)		PER7 (7 wire)		
			Wire 4/Wire5		Wire 4/Wire5	Wire 6/Wire7
Photocontrol Only (On/Off)	✓	⚠	Wired to dimming leads on driver	⚠	Wired to dimming leads on driver	Wires Capped inside fixture
ROAM	⊘	✓	Wired to dimming leads on driver	⚠	Wired to dimming leads on driver	Wires Capped inside fixture
ROAM with Motion (ROAM on/off only)	⊘	⚠	Wired to dimming leads on driver	⚠	Wired to dimming leads on driver	Wires Capped inside fixture
Futureproof*	⊘	⚠	Wired to dimming leads on driver	✓	Wired to dimming leads on driver	Wires Capped inside fixture
Futureproof* with Motion	⊘	⚠	Wired to dimming leads on driver	✓	Wired to dimming leads on driver	Wires Capped inside fixture

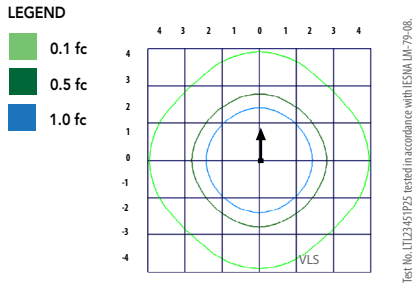
- ✓ Recommended
- ⊘ Will not work
- ⚠ Alternate

*Futureproof means: Ability to change controls in the future.

Photometric Diagrams

To see complete photometric reports or download .ies files for this product, visit Lithonia Lighting's [D-Series Area Size 1 homepage](#).

Isofootcandle plots for the DSX1 LED 60C 1000 40K. Distances are in units of mounting height (20').



Performance Data

Lumen Ambient Temperature (LAT) Multipliers

Use these factors to determine relative lumen output for average ambient temperatures from 0-40°C (32-104°F).

Ambient		Lumen Multiplier
0°C	32°F	1.02
10°C	50°F	1.01
20°C	68°F	1.00
25°C	77°F	1.00
30°C	86°F	1.00
40°C	104°F	0.99

Electrical Load

Number of LEDs	System Watts	Current (A)					
		120	208	240	277	347	480
P1	85	0.72	0.42	0.37	0.33	0.33	0.19
P2	116	0.95	0.55	0.55	0.48	0.42	0.25
P3	160	1.36	0.78	0.68	0.60	0.47	0.34

Projected LED Lumen Maintenance

Data references the extrapolated performance projections for the platforms noted in a **25°C ambient**, based on 10,000 hours of LED testing (tested per IESNA LM-80-08 and projected per IESNA TM-21-11).

To calculate LLF, use the lumen maintenance factor that corresponds to the desired number of operating hours below. For other lumen maintenance values, contact factory.

Operating Hours	0	25,000	50,000	100,000
Lumen Maintenance Factor	DSX1 LED P1			
	1.0	0.96	0.93	0.86
	DSX1 LED P2			
	1.0	0.96	0.92	0.85
	DSX1 LED P3			
	1.0	0.96	0.92	0.85

Lumen Output

Lumen values are from photometric tests performed in accordance with IESNA LM-79-08. Data is considered to be representative of the configurations shown, within the tolerances allowed by Lighting Facts. Contact factory for performance data on any configurations not shown here.

Performance Package	System Watts	Distribution Type	30K					40K					50K				
			Lumens	B	U	G	LPW	Lumens	B	U	G	LPW	Lumens	B	U	G	LPW
P1	85	VLS	8,545	3	0	2	101	9,108	3	0	2	107	9,199	3	0	2	108
		VLS w/FBZ	9,681	3	0	2	114	10,319	3	0	2	121	10,422	3	0	2	123
P2	116	VLS	11,466	3	0	2	99	12,222	3	0	2	105	12,344	3	0	2	106
		VLS w/FBZ	12,990	3	0	3	112	13,847	3	0	3	119	13,985	3	0	3	121
P3	160	VLS	15,110	3	0	2	94	16,106	3	0	2	101	16,267	3	0	2	102
		VLS w/FBZ	17,119	4	0	3	107	18,247	4	0	3	114	18,429	4	0	3	115

FEATURES & SPECIFICATIONS

INTENDED USE

The sleek design of the D-Series Size 1 reflects the embedded high performance LED technology. It is ideal for many commercial and municipal applications, such as parking lots, plazas, campuses, and streetscapes.

CONSTRUCTION

Single-piece die-cast aluminum housing has integral heat sink fins to optimize thermal management through conductive and convective cooling. Modular design allows for ease of maintenance and future light engine upgrades. The LED drivers are mounted in direct contact with the casting to promote low operating temperature and long life. Housing is completely sealed against moisture and environmental contaminants (IP65). Low EPA (1.01 ft²) for optimized pole wind loading.

FINISH

Exterior parts are protected by a zinc-infused Super Durable TGIC thermoset powder coat finish that provides superior resistance to corrosion and weathering. A tightly controlled multi-stage process ensures a minimum 3 mils thickness for a finish that can withstand extreme climate changes without cracking or peeling. Available in both textured and non-textured finishes.

OPTICS

Precision-molded proprietary acrylic lenses are engineered for superior area lighting distribution, uniformity, and pole spacing. Light engines are available in standard 3000 K, 4000 K and 5000 K (80 CRI) configurations. The D-Series Size 1 has zero uplight and qualifies as a Nighttime Friendly™ product, meaning it is consistent with the LEED® and Green Globes™ criteria for eliminating wasteful uplight.

ELECTRICAL

Light engine configurations consist of high-efficacy LEDs mounted to metal-core circuit boards to maximize heat dissipation and promote long life (up to L86/100,000 hours at 25°C). Class 1 electronic drivers are designed to have a power factor >90%, THD <20%, and an expected life of 100,000 hours with <1% failure rate. Easily serviceable 10kV surge protection device meets a minimum Category C Low operation (per ANSI/IEEE C62.41.2).

INSTALLATION

Included mounting block and integral arm facilitate quick and easy installation. Stainless steel bolts fasten the mounting block securely to poles and walls, enabling the D-Series Size 1 to withstand up to a 3.0 G vibration load rating per ANSI C136.31. The D-Series Size 1 utilizes the AERIS™ series pole drilling pattern (template #8). Optional terminal block, tool-less entry, and NEMA photocontrol receptacle are also available.

LISTINGS

UL Listed for wet locations. Light engines are IP66 rated; luminaire is IP65 rated. Rated for -40°C minimum ambient. U.S. Patent No. D672,492 S. International patent pending.

DesignLights Consortium® (DLC) Premium qualified product and DLC qualified product. Not all versions of this product may be DLC Premium qualified or DLC qualified. Please check the DLC Qualified Products List at www.designlights.org to confirm which versions are qualified.

International Dark-Sky Association (IDA) Fixture Seal of Approval (FSA) is available for all products on this page utilizing 3000K color temperature only.

WARRANTY

5-year limited warranty. Complete warranty terms located at: www.acuitybrands.com/CustomerResources/Terms_and_conditions.aspx

Note: Actual performance may differ as a result of end-user environment and application. All values are design or typical values, measured under laboratory conditions at 25 °C. Specifications subject to change without notice.



IMPORTANT SAFETY INSTRUCTIONS

- To reduce the risk of death, personal injury or property damage from fire, electric shock, falling parts, cuts/abrasions, and other hazards read all warnings and instructions included with and on the fixture box and all fixture labels.
- Before installing, servicing, or performing routine maintenance upon this equipment, follow these general precautions.
- Commercial installation, service and maintenance of luminaires should be performed by a qualified licensed electrician.
- For Residential installation: If you are unsure about the installation or maintenance of the luminaires, consult a qualified licensed electrician and check your local electrical code.
- DO NOT INSTALL DAMAGED PRODUCT!**
- Recycle: For information on how to recycle LED electronic products, please visit www.epa.gov.
- Fixture can NOT be used with a dimmer switch, motion or occupancy sensors and other electronic switching devices unless otherwise designated.
- This fixture should not be used in areas with limited ventilation or high ambient temperatures.
- This fixture is intended to be connected to a properly installed and grounded UL listed junction box.
- These instructions do not purport to cover all details or variations in equipment nor to provide every possible contingency to meet in connection with installation, operation, or maintenance. Should further information be desired or should particular problems arise which are not covered sufficiently for the purchaser's or owner's purpose, this matter should be referred to Acuity Brands

WARNING: RISK OF ELECTRICALSHOCK

- Turn off electrical power at fuse or circuit breaker box before wiring fixture to the power supply.
- Turn off the power when you perform any maintenance.
- Verify that supply voltage is correct by comparing it with the luminaire label information.
- Make all electrical and grounded connections in accordance with the National Electrical Code and any applicable local code requirements.
- All wiring connections should be capped with UL approved wire connectors.

CAUTION: RISK OF INJURY

- Wear gloves and safety glasses at all times when removing luminaire from carton, installing, servicing or performing maintenance.
- Avoid direct eye exposure to the light source while it is on.
- Account for small parts and destroy packing material, as these may be hazardous to children.

WARNING: RISK OF BURN

- Allow fixture to cool before handling. Do not touch enclosure or light source.
- Do not exceed maximum wattage marked on luminaire label.
- Follow all lamp manufacturer's warnings, recommendations and restrictions for: driver type, burning position, mounting locations/methods, replacement, and recycling.
- Use only lamps that comply with ANSI standards.

CAUTION: RISK OF FIRE

- Keep combustible and other materials that can burn away from luminaire and lamp/lens.
- Minimum 75° C supply conductors.

INFORMACIÓN IMPORTANTE DE SEGURIDAD

- Para reducir el riesgo de muerte, lesiones personales o daño a la propiedad que pueda surgir de incendios, choques eléctricos, cortes, abrasiones, caída de partes y otros peligros lea todas las advertencias e instrucciones incluidas en la caja o su interior, además de las etiquetas del montaje.
- Antes de instalar o revisar el equipo, o realizar mantenimiento de rutina, siga estas precauciones generales.
- La instalación, la revisión y el mantenimiento comerciales de las luminarias debe ser realizada por un electricista calificado autorizado.
- En el caso de instalaciones residenciales: Si no está seguro sobre la instalación o el mantenimiento de las luminarias, consulte a un electricista calificado autorizado y verifique el código eléctrico local.
- NO INSTALE EL PRODUCTO SI ESTÁ DAÑADO**
- Reciclado: Para obtener información sobre cómo reciclar productos electrónicos LED, visite www.epa.gov.
- El montaje NO se puede utilizar con un reductor de intensidad de luz, sensor de movimiento u ocupación, u otro dispositivo de conmutación eléctrico salvo que se especifique lo contrario.
- Este montaje no se debe utilizar en áreas con poca ventilación o alta temperatura ambiente.
- Este montaje ha sido diseñado para conectarse a una caja de unión aprobada por UL debidamente instalada y puesta a tierra.
- Estas instrucciones no pretenden cubrir todos los detalles o las variaciones de los equipos ni abarcar todas las posibles eventualidades relacionadas con la instalación, el funcionamiento o el mantenimiento. Si necesita más información o surgen problemas específicos que no están debidamente cubiertos en la información del producto, remítase a Acuity Brands Lighting, Inc.

ADVERTENCIA: RIESGO DE CHOQUE ELÉCTRICO

- Desconecte la energía eléctrica en el fusible o disyuntor antes de conectar el montaje a la fuente de energía.
- Desconecte la energía eléctrica cuando realice operaciones de mantenimiento.
- Verifique que el voltaje de alimentación sea correcto; compárelo con la información de la etiqueta de la luminaria.
- Realice todas las conexiones eléctricas y a tierra en cumplimiento del Código Eléctrico Nacional y de los requisitos del código local vigente.
- Todas las conexiones de cableado deben cubrirse con conectores para cable reconocidos y aprobados por UL.

PRECAUCIÓN: RIESGO DE LESIONES

- Use gafas y guantes de protección en todo momento al retirar la luminaria de la caja, al instalarla, repararla o realizar operaciones de mantenimiento.
- Una vez encendida la fuente de luz, evite la exposición directa con los ojos.
- Tenga cuidado con las piezas pequeñas y destruya el material de embalaje, ya que pueden ser peligrosos si están al alcance de niños.

ADVERTENCIA: RIESGO DE QUEUMADURAS

- Antes de manipular el montaje, déjelo enfriar. No toque la carcasa ni la fuente de iluminación.
- No supere el voltaje máximo señalado en la etiqueta de la luminaria.
- Respete todas las advertencias, recomendaciones y restricciones que proporciona el fabricante para: tipo de conductor, posición de funcionamiento, puntos o métodos de montaje, reemplazo y reciclado.
- Use sólo lámparas que cumplan los estándares ANSI.

PRECAUCIÓN: RIESGO DE INCENDIO

- Mantenga lejos de la luminaria y de las lámparas/lentes, los materiales combustibles y de otro tipo que se puedan incendiar.
- Conductores de alimentación de un mínimo de 75° C.

IMPORTANTES MESURES DE SÉCURITÉ

- Afin de réduire le risque de blessures personnelles ou de mort, ou d'endommager le matériel en raison d'un incendie, d'un choc électrique, de la chute de pièces, de coupures/abrasions ou de tout autre danger, lisez tous les avertissements et instructions compris dans et sur la boîte de la fixation et toutes ses étiquettes.
- Avant d'installer, d'entretenir ou de réaliser une maintenance de routine sur cet équipement, tenez compte de ces précautions générales.
- L'installation commerciale, l'entretien et les réparations des lampes ne devraient être effectuées que par un électricien diplômé et qualifié.
- Pour les installations résidentielles : Si vous avez des doutes quant à l'installation ou l'entretien des lampes, consultez un électricien diplômé et qualifié et vérifiez votre code de l'électricité local.
- N'INSTALLEZ PAS UN PRODUIT ENDOMMAGÉ !**
- Recyclage : pour des informations sur la manière de recycler les produits électroniques à DEL, veuillez vous rendre sur www.epa.gov.
- Cette fixation ne peut PAS être utilisée avec un dispositif de gradation, des capteurs de mouvement ou d'occupation et d'autres dispositifs de commutation électroniques sauf indication contraire.
- Cette fixation ne devrait pas être utilisée dans des endroits où la ventilation est limitée ou qui présentent des températures ambiantes élevées.
- Cette fixation est conçue pour être connectée à une boîte de jonction certifiée UL, correctement installée et mise à la masse.
- Ces instructions ne sont pas censées couvrir tous les détails ou variations de l'équipement ni fournir toutes les éventualités possibles en ce qui concerne l'installation, l'utilisation ou l'entretien. Si des informations supplémentaires devaient s'avérer nécessaires, ou si des problèmes particuliers se présentent et ne sont pas suffisamment repris par l'acheteur ou du propriétaire, il conviendrait de contacter Acuity Brands Lighting, Inc à ce sujet.

AVERTISSEMENT: RISQUE DE CHOC ÉLECTRIQUE

- Coupez l'alimentation électrique au niveau du fusible ou du disjoncteur avant de câbler la fixation sur l'alimentation.
- Coupez l'alimentation lorsque vous effectuez tout travail d'entretien.
- Vérifiez que la tension d'alimentation est correcte en la comparant avec les informations sur l'étiquette de la lampe.
- Réalisez tous les raccordements électriques et de masse conformément aux exigences du Code national de l'électricité et de tout code local applicable.
- Tous les raccordements câblés doivent être faits avec des connecteurs de câbles certifiés UL.

ATTENTION: RISQUE DE BLESSURE

- Portez des gants et des lunettes de protection en permanence lorsque vous retirez la lampe du carton et que vous procédez à l'installation, à l'entretien ou à des réparations.
- Évitez le contact direct des yeux avec la source de lumière lorsqu'elle est allumée.
- Faites attention aux petites pièces et détruisez le matériel d'emballage car ils pourraient être dangereux pour les enfants.

AVERTISSEMENT: RISQUE DE BRÛLURE

- Laissez refroidir la fixation avant de la manipuler. Ne touchez pas l'enceinte ou la source de lumière.
- Ne dépassez pas la puissance maximum indiquée sur l'étiquette de la lampe.
- Respectez tous les avertissements, recommandations et restrictions du fabricant de lampe pour le circuit d'attaque, la position de fonctionnement, les méthodes/endroits de montage, le remplacement et le recyclage.
- Utilisez uniquement les lampes qui sont conformes aux normes ANSI.

ATTENTION: RISQUE D'INCENDIE

- Conservez les matériaux combustibles et tout autre élément pouvant prendre feu à l'écart de la lampe/lentille.
- Conducteurs d'alimentation de 75° C minimum.

IMPORTANT SAFETY INSTRUCTIONS

CAUTION: RISK OF PRODUCT DAMAGE

- Never connect components under load.
- Do not mount or support these fixtures in a manner that can cut the outer jacket or damage wire insulation.
- Unless individual product specifications deem otherwise: Never connect an LED product directly to a dimmer packs, occupancy sensors, timing devices, or other related control devices. LED fixtures must be powered directly off a switch circuit.
- Unless individual product specifications deem otherwise: Do not restrict fixture ventilation. Allow for some volume of airspace around fixture. Avoid covering LED fixtures with insulation, foam, or other material that will prevent convection or conduction cooling.
- Unless individual product specifications deem otherwise: Do not exceed fixtures maximum ambient temperature.
- Only use fixture in its intended location.
- LED products are Polarity Sensitive. Ensure proper Polarity before installation.
- Electrostatic Discharge (ESD): ESD can damage LED fixtures. Personal grounding equipment must be worn during all installation or servicing of the unit.
- Do not touch individual electrical components as this can cause ESD, shorten lamp life, or alter performance.
- Some components inside the fixture may not be serviceable. In the unlikely event your unit may require service, stop using the unit immediately and contact an ABL representative for assistance.

This equipment has been tested and found to comply with the limits for a class B digital device, pursuant to part 15 of the FCC rules. These limits are designed to provide reasonable protection against harmful interference when used in a commercial environment. This equipment generates, uses and can radiate radio frequency energy. If not installed and used in accordance with the instruction manual, this equipment may cause harmful interference to radio communications. Operation is subject to the following two conditions:
1) This device may not cause harmful interference, and
2) This device must accept any interference received, including interference that may cause undesired operation.

INFORMACIÓN IMPORTANTE DE SEGURIDAD

PRECAUCIÓN: RIESGO DE DAÑO PARA EL PRODUCTO

- Jamás conecte componentes bajo carga.
- No monte estos montajes de manera que puedan cortar el revestimiento exterior o dañar el aislamiento de los cables.
- A menos que las especificaciones del producto individual consideren lo contrario: jamás conecte un producto LED directamente a un paquete de reducción de intensidad de la luz, sensores de ocupación, dispositivos de temporización ni demás dispositivos de control relacionados. Los montajes LED se deben apagar directamente de un circuito de interruptores.
- A menos que las especificaciones del producto individual consideren lo contrario: no limite la ventilación del montaje. Deje un poco de espacio alrededor del montaje. Evite cubrir los montajes LED con aislación, goma u otro material que evitará la convección o el enfriamiento de la conducción.
- A menos que las especificaciones del producto individual consideren lo contrario: no supere la temperatura ambiente máxima para el montaje.
- Use el montaje sólo en la ubicación para la que está diseñado.
- Los productos LED son sensibles a la polaridad. Asegure la correcta polaridad antes de la instalación.
- Descarga electrostática (DES): la DES puede dañar los montajes LED. Durante la instalación o reparación de la unidad se debe usar siempre equipo personal conectado a tierra.
- No toque componentes eléctricos individuales ya que esto puede causar DES, reducir la vida útil de la lámpara o alterar el funcionamiento.
- Es posible que algunos componentes dentro del montaje no se puedan reparar. En el caso improbable de que su unidad requiera reparación, deje de usar la unidad inmediatamente y comuníquese con un representante de ABL para obtener ayuda.

Este equipo se ha probado y se ha encontrado para conformarse con los límites para un dispositivo de la clase B digital, conforme a la parte 15 de las reglas de la FCC. Estos límites se diseñan para proporcionar la protección razonable contra interferencia dañosa cuando están utilizados en un ambiente comercial. Este equipo genera, las aplicaciones y puede irradiar energía de la radiofrecuencia. Si no instalado y utilizado de acuerdo con el manual de la instrucción, este equipo puede causar interferencia dañosa a las comunicaciones por radio. La operación está conforme a las dos condiciones siguientes:
1) Este dispositivo puede no causar interferencia dañosa, y
2) Este dispositivo debe aceptar cualquier interferencia recibida, incluyendo interferencia que operación indeseada de la causa de mayo.

IMPORTANTES MESURES DE SÉCURITÉ

ATTENTION : RISQUE D'ENDOMMAGEMENT DU PRODUIT

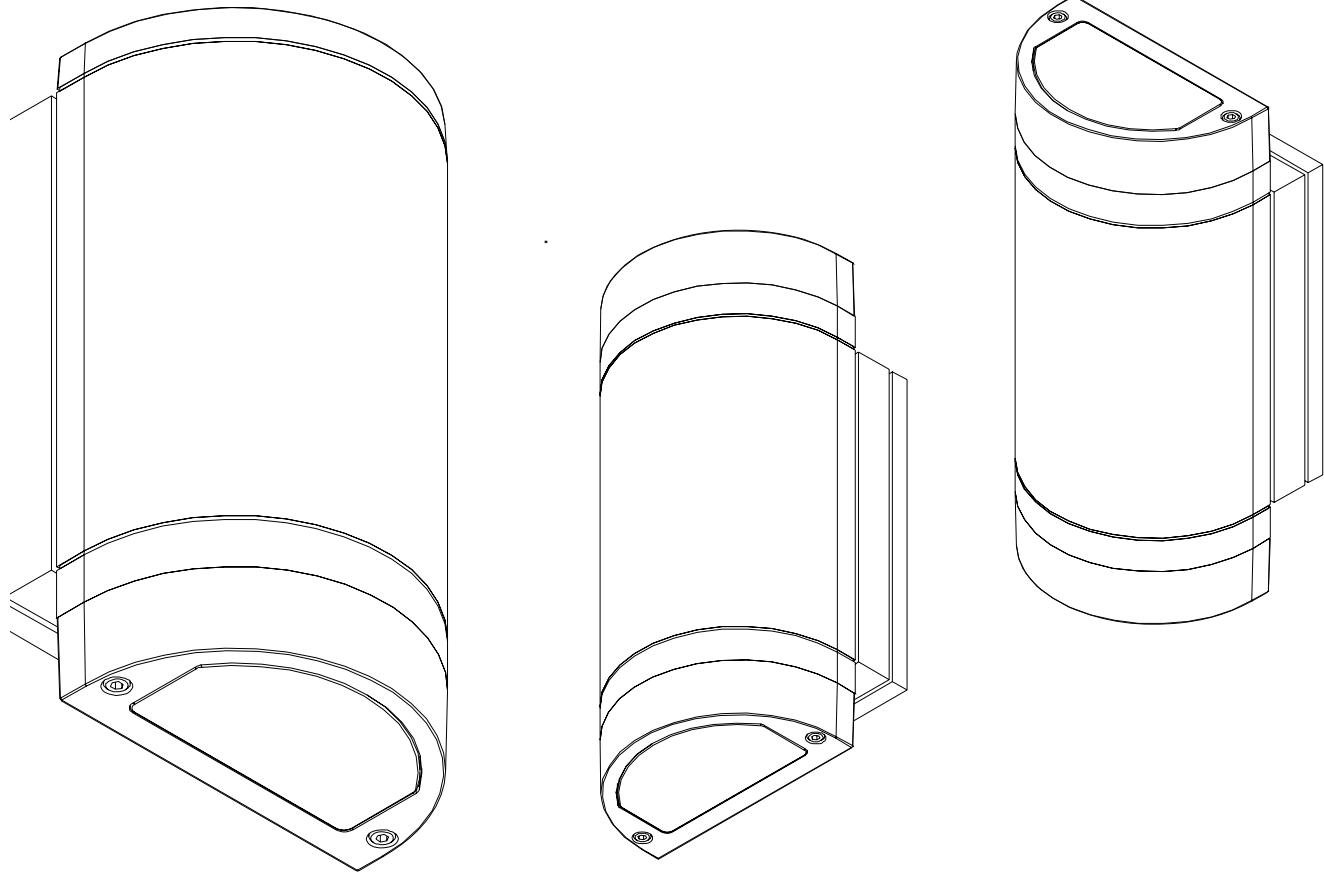
- Ne connectez jamais des composants sous charge.
- Ne montez ni soutenez pas ces fixations d'une manière qui pourrait sectionner la gaine extérieure ou endommager l'isolation de câble.
- Sauf si contraire aux spécifications du produit individuel : ne connectez jamais un produit à DEL directement à des packs de gradation de la lumière, des capteurs d'occupation, des dispositifs de minuterie ou d'autres dispositifs de commande liés. Les fixations DEL doivent être alimentées directement hors d'un circuit à interrupteur.
- Sauf si contraire aux spécifications du produit individuel : ne connectez jamais un produit à DEL directement à des packs de gradation de la lumière, des capteurs d'occupation, des dispositifs de minuterie ou d'autres dispositifs de commande liés. Les fixations DEL doivent être alimentées directement hors d'un circuit à interrupteur.
- Sauf si contraire aux spécifications du produit individuel : ne pas limiter la ventilation de la fixation. Laissez un espace libre suffisant autour de la fixation. Évitez de couvrir les fixations DEL avec de l'isolation, de la mousse ou d'autres matériaux qui empêcheront le refroidissement de convection ou de conduction.
- Sauf si contraire aux spécifications du produit individuel : ne pas dépasser la température ambiante maximum à laquelle les fixations sont exposées.
- N'utilisez la fixation que dans l'emplacement prévu à cet effet.
- Les produits à DEL sont sensibles à la polarité. Assurez-vous que la polarité est correcte avant l'installation.
- Décharge électrostatique (DES) : les DES peuvent endommager les fixations DEL. Un équipement de mise à la masse personnel doit être porté lors de toute installation ou entretien de l'unité.
- Ne touchez pas les composants électriques individuels car cela peut causer une DES, réduire la durée de vie de la lampe ou altérer ses performances.
- Certains composants à l'intérieur de la fixation peuvent ne pas être réparables. Dans le cas peut probable où votre unité aurait besoin d'être réparée, arrêtez immédiatement d'utiliser l'unité et contactez un représentant ABL pour obtenir de l'aide.

Cet équipement a été examiné et avéré pour être conforme aux limites pour un dispositif de la classe B digital, conformément à la partie 15 des règles de FCC. Ces limites sont conçues pour assurer la protection raisonnable contre l'interférence nocive une fois utilisées dans un environnement commercial. Cet équipement se produit, des utilisations et peut rayonner l'énergie de radiofréquence. Sinon installé et utilisé selon le manuel d'instruction, cet équipement peut causer l'interférence nocive aux communications par radio. L'opération est sujette aux deux conditions suivantes :
1) Ce dispositif peut ne pas causer l'interférence nocive, et
2) Ce dispositif doit accepter n'importe quelle interférence reçue, y compris l'interférence qu'opération peu désirée de cause de mai.



LED Wall Cylinder Light

Luz LED de cilindro de pared Éclairage mural cylindrique DEL



Model Number / Número de Modelo / Numéro des modèles

OLLWD & OLLWU



Protect yourself. Before installing, read these instructions carefully and save them for future reference.

Date Installed: _____

Failure to follow any of these instructions could void product warranties. For a complete list of product Terms and Conditions, visit www.acuitybrands.com/CustomerResources/Terms_and_conditions.aspx Acuity Brands Lighting, Inc. assumes no responsibilities for claims arising out of improper or careless installation or handling of its products.

Protégase. Antes de instalar, lea estas instrucciones cuidadosamente y guárdelas para futura referencia.
Fecha Instalada: _____

El incumplimiento de alguna de estas instrucciones puede anular la garantía del producto. Para obtener la lista completa de los términos y las condiciones respecto al producto, visite www.acuitybrands.com. Acuity Brands Lighting, Inc. no se hace responsable por los reclamos que puedan surgir de la instalación o manipulación inadecuada o negligente de sus productos.

Pour votre propre protection. Avant de procéder à l'installation, veuillez lire attentivement ces directives et les conserver pour référence ultérieure.
Date de l'installation : _____

Tout manquement au respect de ces instructions pourrait rendre nulles les garanties. Pour une liste complète des conditions générales du produit, veuillez vous rendre sur www.acuitybrands.com. Acuity Brands Lighting, Inc. n'assume aucune responsabilité pour les réclamations découlant d'une installation ou d'une manipulation incorrectes ou négligentes de ses produits.

INSTALLATION INSTRUCTIONS

INSTALLATION FIGURES/FIGURES D'INSTALLATION FIGURAS DE LA INSTALACIÓN

Description	Quantity
1) LED Light Fixture.....	1
2) Mounting Plate	1
3) 5/8" #6 Screw	1
4) 1-1/4" #8 Screws *	2
5) Wire Nuts*	3

*Contained in parts packs
Mounting Hardware Included
Silicone Sealant required

- Remove fixture components and parts pack. Check that all parts are included.

Note: NOT suitable for use with dimmers, motion sensors or other remote devices.

- Turn OFF Power at circuit breaker box.

CAUTION: Do not rely on wall switch alone to turn off power.

Note: This fixture is intended for wall mount

Assistance may be required to support fixture during installation.

- Fixture Installation: see Fig.A & B

Loosen Screw [3] on bottom of back and remove Mounting Plate [2] from LED Light Fixture. Thread house supply wires through center of mounting Plate and attach Mounting Plate to standard recessed outdoor wet location junction box using two 1-1/4" Screws [4] (see Fig. B). Use Wire Nuts [5] to make wiring connections as outlined in step 4 below. Push wire connections into jbox and align LED Light Fixture [1] over Mounting bracket. Tighten Screw [3] to secure LED Light Fixture to Mounting plate.

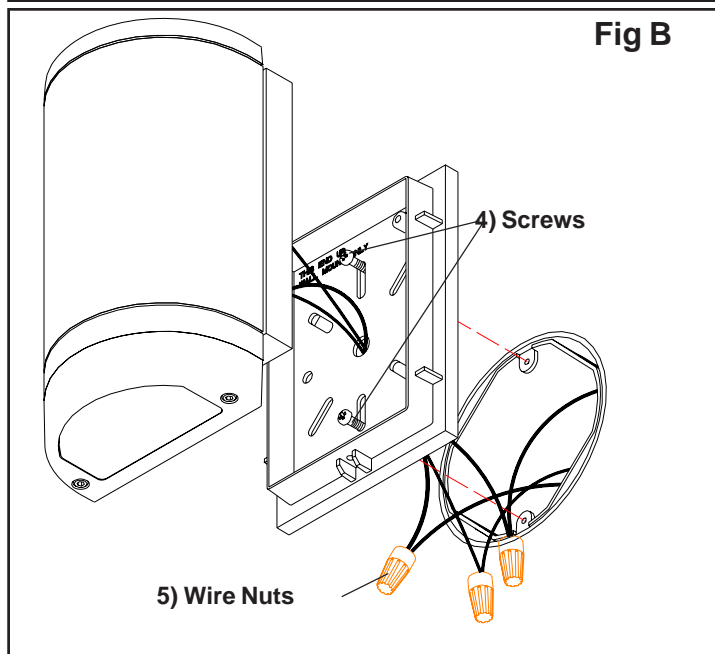
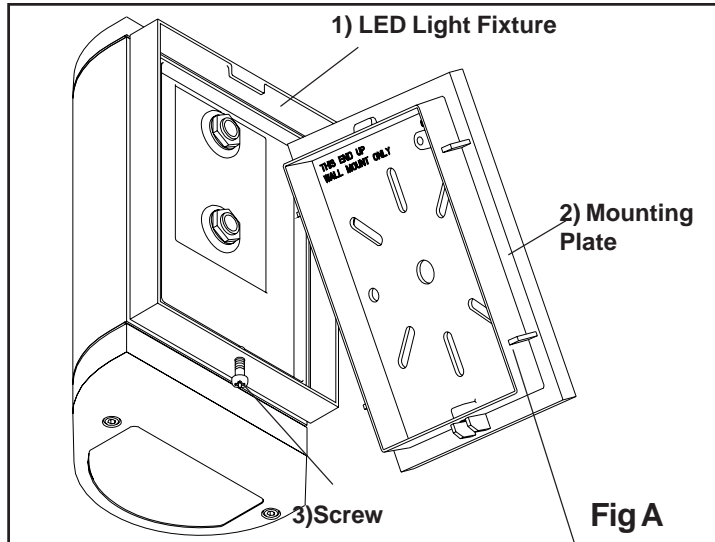
- CAUTION: WIRING AND FIXTURE OPERATION** Note: Make sure power is turned off!

Use Wire Nut to connect the house supply ground wire (**copper**) & the fixture ground (**copper**) wire.
Note: If house wiring does not include a ground wire, consult your local electrical code for approved grounding methods. Use Wire Nuts to connect the black fixture wire to the black power supply wire and the white fixture wire to the white (*neutral*) house supply wire.

For proper connection, place wire nut over wires and twist clockwise until tight.

- Turn on electricity at fuse or circuit breaker box and verify success of installation.

- Apply silicone caulking (not included) around the perimeter of the back of the fixture where it contacts the mounting surface for moisture seal.



GUÍA DE PASO-A-PASO

LISTA DE EMBALAJE

Descripción	Cantidad
1) Montaje de luz LED	1
2) Placa de Montaje	1
3) Tornillo	1
4) Tornillos N.º 8 de 1-1/4"	2
5) Tuercas para conexión de cables*	3

*Contenido en el paquete de piezas

Herraje de Montaje Incluido
Requiere Sellador de Silicona

- Quite los componentes del luminario y el paquete de piezas. Verifique que todas las piezas estén incluidas.

Nota: Este montaje NO se puede usar con reductores de lumbrado, sensores de movimiento u otros dispositivos remotos.

- ¡Apague la electricidad en la caja de rtacircuitos!

ATENCIÓN: No se confie de cortar la corriente en el interruptor mural solamente.

Nota: Este montaje está diseñado para colocarse en paredes

Puede que necesite ayuda a sostener el luminario durante la instalación.

- Instalación del montaje: ver Fig. A & B

Afloje el tornillo [3] ubicado en la parte inferior trasera y quite la placa de montaje [2] del montaje de la luz LED [1]. Pase los cables de alimentación a través del centro de la placa de montaje y conéctelos a la caja de unión empotrada estándar para lugares húmedos del exterior utilizando dos tornillos de 1-1/4" [4] (ver Fig. B). Utilice tuercas para conexión de cables [5] para hacer las conexiones de cableado como se explica en el paso 4. Inserte las conexiones de cables en la caja de unión y alinee el montaje de luz LED sobre la placa posterior. Ajuste el tornillo [3] para asegurar el montaje de la luz LED a la placa posterior.

4. PRECAUCIÓN: OPERACIÓN DEL LUMINARIO Y ALAMBRADO
Cerciórese que la fuente de alimentación eléctrica este apagada.

Para poner a tierra el luminario, utilice una Tuerca de Alambres para conectar el alambre de tierra de suministro de la casa y el alambre (cobre) de tierra del luminario (cobre). **Nota:** Si el alambrado de la casa no incluye un alambre de Conexión a Tierra, consulte su código eléctrico local para métodos aprobados para conectar a tierra. Use capuchones de alambres para conectar los dos alambres negro del luminario al alambre negro del suministro de electricidad de la casa y los dos alambres blanco del luminario al blanco (neutral) del suministro de electricidad de la casa.

Para una conexión apropiada, coloque el capuchón de alambre sobre los alambres y gire en el sentido de las agujas del reloj hasta que este apretado.

- Encienda la electricidad en la caja de fusibles o caja de cortacircuitos y verifique el éxito de la instalación.
- Aplique calafatea de silicona (no incluida) alrededor del perímetro de la Placa Trasera para Un sello contra la humedad.

GUIDE DÉTAILLÉ

LISTE DES PIÈCES

Description	Quantité
1) Appareil d'éclairage DEL	1
2) Plaque de montage	1
3) Vis	1
4) Vis n° 8 de 1-1/4 po*	2
5) Capuchons de connexion*	3

*Compris dans l'emballage de pièces

Quincaillerie de montage comprises
Joint d'étanchéité à la silicone requis

- Retirer les composants de l'appareil et l'emballage des pièces. S'assurer que toutes les pièces sont incluses.

Remarque: Cette fixation n'est pas compatible avec les gradateurs ou les dispositifs de gradation de la lumière.

- Couper l'électricité au fusible ou au disjoncteur!

ATTENTION: Ne coupez pas le courant uniquement au niveau de l'interrupteur mural.

Note: Cette lampe est prévue pour une fixation murale.

De l'aide peut être nécessaire pour supporter le luminaire lors de l'installation.

- Installation de la lampe: voir Fig. A & B

Desserrer la vis [3] placée en bas à l'arrière, puis retirer la plaque de fixation [2] de l'appareil d'éclairage DEL [1]. Faire passer les câbles d'alimentation de la maison à travers la plaque de fixation par le centre, puis les fixer sur le boîtier de connexion en emplacement humide extérieur standard au moyen de deux vis de 1-1/4 po [4] (voir figure B). Utiliser des capuchons de connexion [5] pour effectuer des connexions de câblage comme indiqué à l'étape 4. Introduire les connexions de câblage dans le boîtier de connexion, puis aligner l'appareil d'éclairage DEL sur la plaque arrière. Serrer la vis [3] pour fixer solidement l'appareil d'éclairage DEL sur la plaque arrière.

4. Pour MISE EN GARDE: CÂBLAGE ET MODE D'EMPLOI DE L'APPAREIL

Vous assurer de couper le courant avant de procéder au câblage.

Pour la mise à terre de l'appareil, connecter le fil de terre de l'alimentation (cuivre) au fil de terre (cuivre) de l'appareil, à l'aide d'un capuchon de connexion. **Note:** Si le câblage d'alimentation ne comprend pas un fil de mise à la terre, consulter votre code d'électricité local et vérifier les méthodes conformes pour la mise à la terre.

Employer des capuchons de connexion pour connecter les deux fils noirs de l'appareil au fil d'alimentation noir et les deux fils blancs au fil blanc (neutre) d'alimentation.

Pour vous assurer d'un bon raccordement, mettre le capuchon sur les fils et tourner dans le sens de rotation horaire jusqu'à ce que la connexion soit solide.

- Rétablir le courant au fusible ou au disjoncteur et vérifier si l'installation est réussie.
- Applique du bouche-fentes à la silicone (non inclus) sur le périmètre de l'appareil là où il entre en contact avec la surface de montage.

Trouble Shooting Guide

Trouble Shooting Guide

If this fixture fails to operate properly, use the guide below to diagnose and correct the problem.

If light does not come on:

- Verify that power is turned on at switch and breaker
- Verify that fixture is wired properly
- Verify that line voltage is correct.

If further assistance is required, contact:
Technical Support at: (800) 279-8041

This LED light provides low maintenance service with no bulbs to change. Clean surfaces with mild soap and water. Do not use abrasive materials such as scouring pads or powders, steel wool or abrasive paper.

WARNING: There are no user serviceable parts inside fixture.

Guía de Localización de Averías

Guía de Localización de Averías

Si este luminario falla de operar apropiadamente, use la siguiente guía para diagnosticar y corregir el problema.

- Verifique que el luminario este alambrado apropiadamente
- Verifique que el luminario este conectado tierra correctamente
- El voltaje de la línea en el luminario este correcto

Si requiere ayuda adicional, contacte:
Technical Support al: (800) 279-8041

Esta lámpara LED con detector de movimiento necesita muy poco mantenimiento y no es necesario cambiar los focos. Limpie las superficies con un limpiador suave no abrasivo.

ADVERTENCIA: La cabeza de la lámpara no contiene piezas que el usuario puede reparar.

Guide de dépannage

Guide de dépannage:

Si l'appareil ne fonctionne pas adéquatement, veuillez vous servir du guide ci-dessous afin d'identifier et corriger le problème.

- Vérifier si le câblage de l'appareil est bien fait.
- Vérifier si la mise à la terre de l'appareil est adéquate.
- Vérifier la tension de secteur de l'appareil.

Pour toute autre assistance, veuillez contacter nos services de support technique:
Technical Support : (800) 279-8041

Cette lampe à détecteur de mouvement DEL nécessite peu d'entretien et il n'y a aucune ampoule à changer. Nettoyez les surfaces avec un produit doux non abrasif.

AVERTISSEMENT: Il n'y a aucune pièce réparable à l'intérieur de chaque projecteur.



ARC1 LED

Architectural Wall Luminaire



Catalog Number

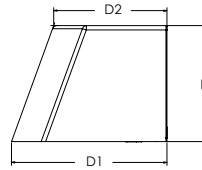
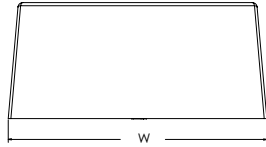
Notes

Type

Hit the Tab key or mouse over the page to see all interactive elements.

Specifications

Depth (D1): 6.5"
Depth (D2): 4.75"
Height: 5"
Width: 11"
Weight: 7 lbs
 (without options)



Introduction

The Lithonia Lighting ARC LED wall-mounted luminaires provide both architectural styling and visually comfortable illumination while providing the high energy savings and low initial costs for quick financial payback.

ARC1 delivers up to 3,000 lumens with a soft, non-pixelated light source, creating a visually comfortable environment. The compact size of ARC1, with its integrated emergency battery backup option, is ideal for over-the-door applications.

ARC LED Family Overview

Luminaire	Standard EM, 0°C	Cold EM, -20°C	Approximate Lumens (4000K)				
			P1	P2	P3	P4	P5
ARC1 LED	4W	--	1,500	2,000	3,000	--	--
ARC2 LED	4W	8W	1,500	2,000	3,000	4,000	6,500

Ordering Information

EXAMPLE: ARC1 LED P2 40K MVOLT PE DDBXD

Series	Package	Color Temperature	Voltage	Options	Finish
ARC1 LED	P1 1,500 Lumens	30K 3000K	MVOLT 347 ¹	E4WH Emergency battery backup, CEC compliant (4W, 0°C min) ¹	DDBXD Dark bronze
	P2 2,000 Lumens	40K 4000K		PE Button type photocell for dusk-to-dawn operation	DBLXD Black
	P3 3,000 Lumens	50K 5000K		DMG 0-10V dimming wires pulled outside fixture (for use with an external control, ordered separately) ²	DNAXD Natural aluminum
				SPD6KV 6kV surge protection ¹	DWHXD White
				FAO Field adjustable light output device. Allows for easy adjustment to the desired light levels, from 20% to 100% ²	DSSXD Sandstone
					DDBTXD Textured dark bronze
					DBLBXD Textured black
					DNATXD Textured natural aluminum
					DWHGXD Textured white
					DSSTXD Textured sandstone

Accessories

Ordered and shipped separately.

WSBBW DDBXD U Surface-mounted back box (specify finish)

NOTES

- 347V not available with E4WH.
- FAO not available with DMG.



COMMERCIAL OUTDOOR

One Lithonia Way • Conyers, Georgia 30012 • Phone: 1-800-705-SERV (7378) • www.lithonia.com
 © 2020 Acuity Brands Lighting, Inc. All rights reserved.

ARC1 LED
 Rev. 08/17/20

Performance Data

Lumen Output

Lumen values are from photometric tests performed in accordance with IESNA LM-79-08. Data is considered to be representative of the configurations shown, within the tolerances allowed by Lighting Facts. Contact factory for performance data on any configurations not shown here.

Performance Package	System Watts	30K (3000K, 80 CRI)					40K (4000K, 80 CRI)					50K (5000K, 80 CRI)				
		Lumens	LPW	B	U	G	Lumens	LPW	B	U	G	Lumens	LPW	B	U	G
P1	11W	1,376	127	1	0	1	1,454	134	1	0	1	1,464	135	1	0	1
P2	17W	2,035	121	1	0	1	2,151	128	1	0	1	2,165	129	1	0	1
P3	25W	2,859	117	1	0	1	3,021	123	1	0	1	3,041	124	1	0	1

Electrical Load

Performance Package	System Watts	Current (A)				
		120V	208V	240V	277V	347V
P1	11W	0.111	0.061	0.053	0.047	0.045
P2	17W	0.139	0.081	0.071	0.063	0.060
P3	25W	0.208	0.122	0.108	0.097	0.081

Lumen Output in Emergency Mode (4000K, 80 CRI)

Option	Lumens
E4WH	620

Lumen Ambient Temperature (LAT) Multipliers

Use these factors to determine relative lumen output for average ambient temperatures from 0-40°C (32-104°F).

Ambient	Lumen Multiplier
0°C / 32°F	1.04
10°C / 50°F	1.02
20°C / 68°F	1.01
25°C / 77°F	1.00
30°C / 86°F	0.99
40°C / 104°F	0.97

Projected LED Lumen Maintenance

Data references the extrapolated performance projections for the platforms noted in a 25°C ambient, based on 10,000 hours of LED testing (tested per IESNA LM-80-08 and projected per IESNA TM-21-11). To calculate LLF, use the lumen maintenance factor that corresponds to the desired number of operating hours below. For other lumen maintenance values, contact factory.

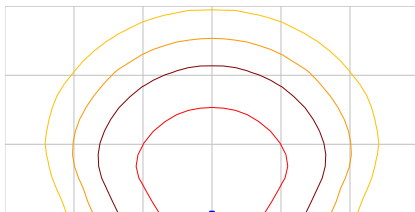
Operating Hours	0	25,000	50,000	100,000
Lumen Maintenance Factor	0.97	>0.96	>0.95	>0.91

Photometric Diagrams

To see complete photometric reports or download .ies files for this product, visit the Lithonia Lighting ARC LED homepage. Tested in accordance with IESNA LM-79 and LM-80 standards.

LEGEND

- 0.25 fc
- 0.5 fc
- 1.0 fc
- 3.0 fc



MH = 10ft
Grid = 10ft x 10ft

ARC1 LED P3 40K

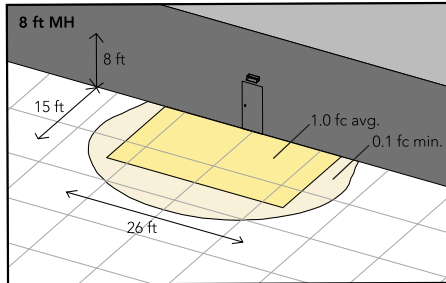
Emergency Egress Options

Emergency Battery Backup

The emergency battery backup is integral to the luminaire — no external housing required! This design provides reliable emergency operation while maintaining the aesthetics of the product. All emergency battery backup configurations include an independent secondary driver with an integral relay to immediately detect loss of normal power and automatically energize the luminaire. The emergency battery will power the luminaire for a minimum duration of 90 minutes (maximum duration of three hours) from the time normal power is lost and maintain a minimum of 60% of the light output at the end of 90 minutes.

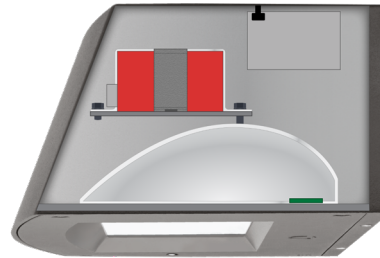
Applicable codes: NFPA 70/NEC – section 700.16, NFPA 101 Life Safety Code Section 7.9

The example below shows illuminance of 1 fc average and 0.1 fc minimum in emergency mode.



Grid = 10ft x 10ft

ARC1 LED 40K MVOLT E4WH



Self-contained solution for clean aesthetic

Mounting, Options & Accessories

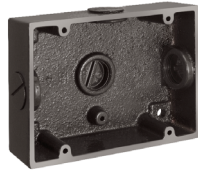


E4WH – 4W Emergency Battery Backup

D = 6.5"

H = 5"

W = 11"



BBW – Standard Back Box

D = 1.5"

H = 4"

W = 5.5"

For surface conduit applications.
3/4" conduit entry holes.

FEATURES & SPECIFICATIONS

INTENDED USE

The clean architectural shape of the ARC LED was designed for applications such as hospitals, schools, malls, restaurants, and commercial buildings. The long-life LEDs and driver make this luminaire nearly maintenance-free.

CONSTRUCTION

The die-cast aluminum housing and door act as heat sinks to optimize thermal transfer from the light engine and driver to promote long-life. The die-cast door frame is fully gasketed with a one-piece solid silicone gasket to keep out moisture and dust, providing an IP65 rating for the luminaire.

FINISH

Exterior painted parts are protected by a zinc-infused Super Durable TGIC thermoset powder coat finish that provides superior resistance to corrosion and weathering. A tightly controlled multi-stage process ensures a 3 mils thickness for a finish that can withstand extreme climate changes without cracking or peeling. Standard Super Durable colors include dark bronze, black, natural aluminum, sandstone and white. Available in textured and non-textured finishes.

OPTICS

Recessed lens to cut off high angle light and reduce glare. Combination of diffused lens and reflector design has low surface brightness creating a visually comfortable environment with great distribution. LEDs are fully hidden from view to eliminate pixelization and harsh glare. The ARC LED has zero uplight and qualifies as a Nighttime Friendly™ product, meaning it is consistent with the LEED® and Green Globes™ criteria for eliminating wasteful uplight.

ELECTRICAL

Light engine consists of high-efficiency LEDs mounted to metal-core circuit boards to maximize heat dissipation and promote long-life (up to L91/100,000 hours at 25°C). The electronic driver has a power factor of >90%, THD <20%. Luminaire is 0-10V dimmable.

INSTALLATION

The universal wall plate, supplied with the luminaire, fits multiple size junction boxes and supports the luminaire during wiring for easy installation. Built-in wet location wiring compartment on the luminaire to accommodate wiring connections for where there is with no junction box. Design can withstand up to a 1.5 G vibration load rating per ANSI C136.31.

LISTINGS

CSA certified to U.S. and Canadian standards. Luminaire is IP65 rated. DesignLights Consortium® (DLC) Premium qualified product and DLC qualified product. Not all versions of this product may be DLC Premium qualified or DLC qualified. Please check the DLC Qualified Products List at www.designlights.org/QPL to confirm which versions are qualified. International DarkSky Association (IDA) Fixture Seal of Approval (FSA) is available for all products on this page utilizing 3000K color temperature only.

WARRANTY

5-year limited warranty. Complete warranty terms located at: www.acuitybrands.com/support/customer-support/terms-and-conditions

Note: Actual performance may differ as a result of end-user environment and application. All values are design or typical values, measured under laboratory conditions at 25 °C. Specifications subject to change without notice.

