

INITIAL LIGHTING FIXTURE SCHEDULE							
SYMBOL	MANUFACTURER AND MODEL NUMBER	VOLTAGE & PHASE	LAMP QUANTITY	LAMP TYPE	DESCRIPTION AND REMARKS	ACTUAL WATTAGE	MAXIMUM WATTAGE
S1	EATON MCGRAW-EDISON GLEON-AP-04-LED-E1-SL4-AP-DIM-MS/DIM-L40	277/1	WITH FIXTURE	LED LAMPS WITH FIXTURE	POLE MOUNTED LED SITE LIGHTING HEAD WITH TYPE 4 WITH SPLIT CONTROL DISTRIBUTION. PROVIDE 25' POLE FOR MOUNTING. COORDINATE EXACT POLE MOUNTING REQUIREMENTS WITH MANUFACTURER. PROVIDE FIXTURE WITH INTEGRAL PHOTOCELL, DIMMING AND MOTION SENSOR CONTROL. THE PHOTOCELLS SHALL BE CONFIGURED TO CONTROL THE LIGHTS ON/OFF AS A FLUCTION OF AVAILABLE DAYLIGHT. THE MOTION SENSOR SHALL BE CONFIGURED TO DIM THE FIXTURE BY A MINIMUM OF 30% WHEN NO ACTIVITY HAS BEEN DETECTED FOR 15 MINUTES.	225W/ HEAD	225W

WATTAGE	TYPE	CCT	CRI / ANGLE
225	LED		

### McGraw-Edison

Catalog #	GLEON-AP-04-LED-E1-SL4-AP-DIM-MS/DIM-L40	Type
Project	Falcon Landing	S1
Comments		Date
Prepared by		

**DESCRIPTION**  
The Galleon™ LED luminaire delivers exceptional performance in a highly scalable, low-profile design. Patented, high-efficiency AccuLED Optics™ system provides uniform and energy conscious illumination to walkways, parking lots, roadways, building areas and security lighting applications. IP66 rated and ULcUL Listed for wet locations.

#### SPECIFICATION FEATURES

**Construction**  
Extruded aluminum driver enclosure thermally isolated from Light Squares for optimal thermal performance. Heavy-wall, die-cast aluminum end caps enclose housing and die-cast aluminum heat sinks. A unique, patent pending interlocking housing and heat sink provides scalability with superior structural rigidity. 3G vibration tested and rated. Optional tool-less hardware available for ease of entry into electrical chamber. Housing is IP66 rated.

**Optics**  
Patented, high-efficiency injection-molded AccuLED Optics technology. Optics are precisely designed to shape the distribution maximizing efficiency and application spacing. AccuLED Optics create consistent distributions with the scalability to meet customized application requirements. Offered standard in 4000K (w/ 275K) CCT 70 CRI. Optional 3000K, 5000K and 6000K CCT.

**Electrical**  
LED drivers are mounted to removable tray assembly for ease of maintenance. 120-277V 50/60Hz, 347V 60Hz or 480V 60Hz operation. 480V is compatible for use with 480V Wye systems only. Standard with 0-10V dimming. Shipped standard with Eaton proprietary circuit module designed to withstand 10kV of transient line surge. The Galleon LED luminaire is suitable for operation in -40°C to 40°C ambient environments. For applications with ambient temperatures exceeding 40°C, specify the HA (High Ambient) option. Light Squares are IP66 rated. Greater than 90% lumen maintenance expected at 60,000 hours. Available in standard 1A drive current and optional 600mA, 800mA and 1200mA drive currents (nominal).

**Mounting**  
**STANDARD ARM MOUNT:** Extruded aluminum arm includes internal bolt guides allowing for easy positioning of fixture during mounting. When mounting two or more luminaires at 90° and 120° apart, the EA extended arm may be required. Refer to the

arm mounting requirement table. Round pole adapter included. For wall mounting, specify wall mount bracket option. **QUICK MOUNT ARM:** Adapter is bolted directly to the pole. Quick mount arm slide into place on the adapter and is secured via two screws, facilitating quick and easy installation. The versatile, patent pending, quick mount arm accommodates multiple drill patterns ranging from 1-1/2" to 4-7/8". Removal of the door on the quick mount arm enables wiring of the fixture without having to access the driver compartment. A knock-out enables round pole mounting.

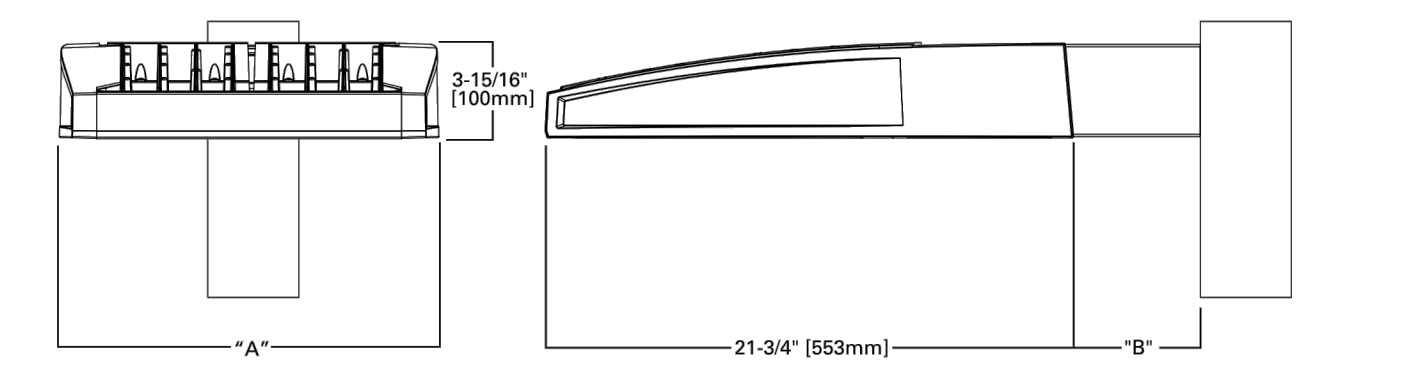
**Finish**  
Housing finished in super durable TGIC polyester powder coat paint, 2.5 mil nominal thickness for superior protection against fade and wear. Heat sink is powder coated black. Standard housing colors include black, bronze, grey, white, dark platinum and graphite metallic. RAL and custom color matches available.

**Warranty**  
Five-year warranty.



**GLEON GALLEON LED**  
1-10 Light Squares  
Solid State LED  
AREA/SITE LUMINAIRE

#### DIMENSIONS



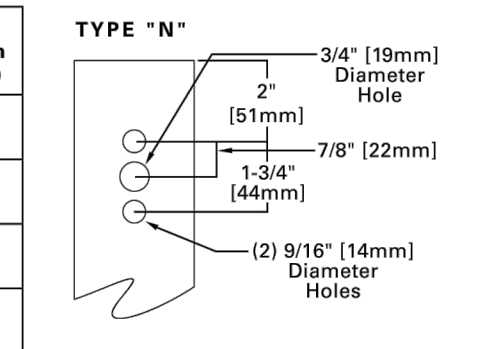
#### DIMENSION DATA

Number of Light Squares	"A" Width (294mm)	"B" Standard Arm Length (178mm)	"B" Optional Arm Length (254mm)	Weight with Arm (lbs.) (15.0 kgs.)	EPA with Arm (1 Sq. Ft.) (0.98)
1-4	15-1/2" (391mm)	7"	10"	33 (15.0 kgs.)	0.98
5-6	21-5/8" (549mm)	7"	10"	44 (20.0 kgs.)	1.00
7-8	27-5/8" (702mm)	7"	13"	54 (24.5 kgs.)	1.07
9-10	33-3/4" (857mm)	7"	16"	63 (28.6 kgs.)	1.12

NOTES: 1. Optional arm length to be used when mounting two fixtures at 90° on a single pole. 2. EPA calculated with optional arm length.



#### DRILLING PATTERN



**CERTIFICATION DATA**  
ULcUL Wet Location Listed  
ISO 9001  
LM79 / LM80 Compliant  
3G Vibration Rated  
DesignLights Consortium® Qualified\*

**ENERGY DATA**  
Electronic LED Driver  
0.9 Power Factor  
<20% Total Harmonic Distortion  
120V-277V 50/60Hz  
347V & 480V 60Hz  
-40°C Min. Temperature  
40°C Max. Temperature  
50°C Max. Temperature (HA Option)



TDS00029EN  
August 8, 2018 11:31 AM

Identify total light with pole height on lighting plan not to exceed 20 feet.

\*www.designlights.org



31 N. TEJON, SUITE 500  
COLORADO SPRINGS, CO 80903  
P: (719) 227-7388  
F: (719) 227-7392

REVISIONS:		
NO.	DESCRIPTION	DATE

ENGINEER:  
DESIGNED BY: JC DATE: 9/17/18  
DRAWN BY: JM DATE: 9/18/18  
CHECKED BY: \_\_\_\_\_ DATE: \_\_\_\_\_

48 HOURS BEFORE YOU DIG,  
CALL UTILITY LOCATORS  
**1-800-922-1987**  
CITY OF COLORADO SPRINGS DEPT. OF UTILITIES  
GAS, ELECTRIC, WATER AND WASTEWATER

**DSE** Dakota Springs Engineering  
PROJECT FALCON LANDING  
SHEET TITLE LIGHTING PHOTOMETRIC PLAN  
FROM \_\_\_\_\_ TO \_\_\_\_\_  
JOB NO. 01-13 SHEET 1 OF 1