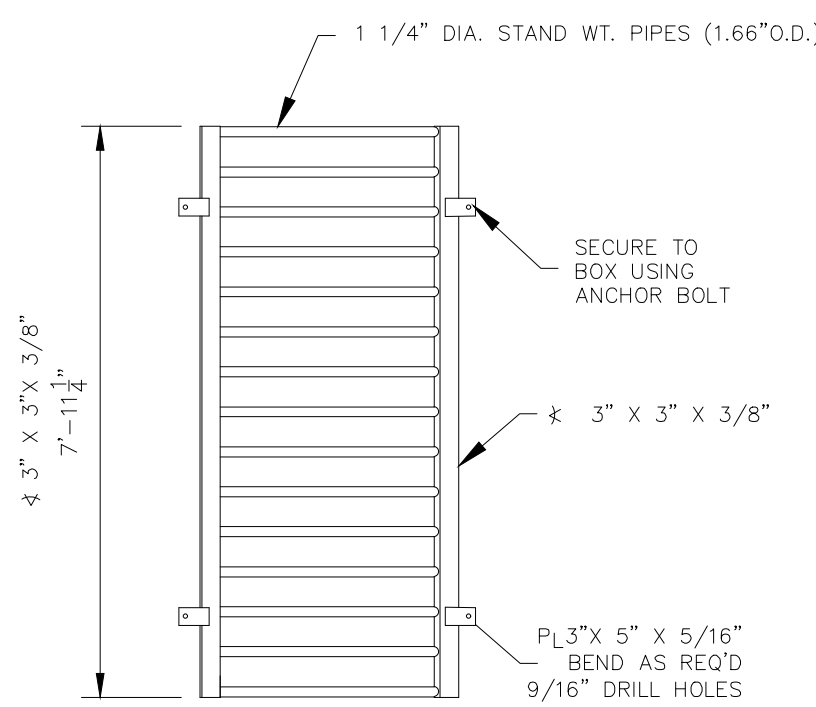
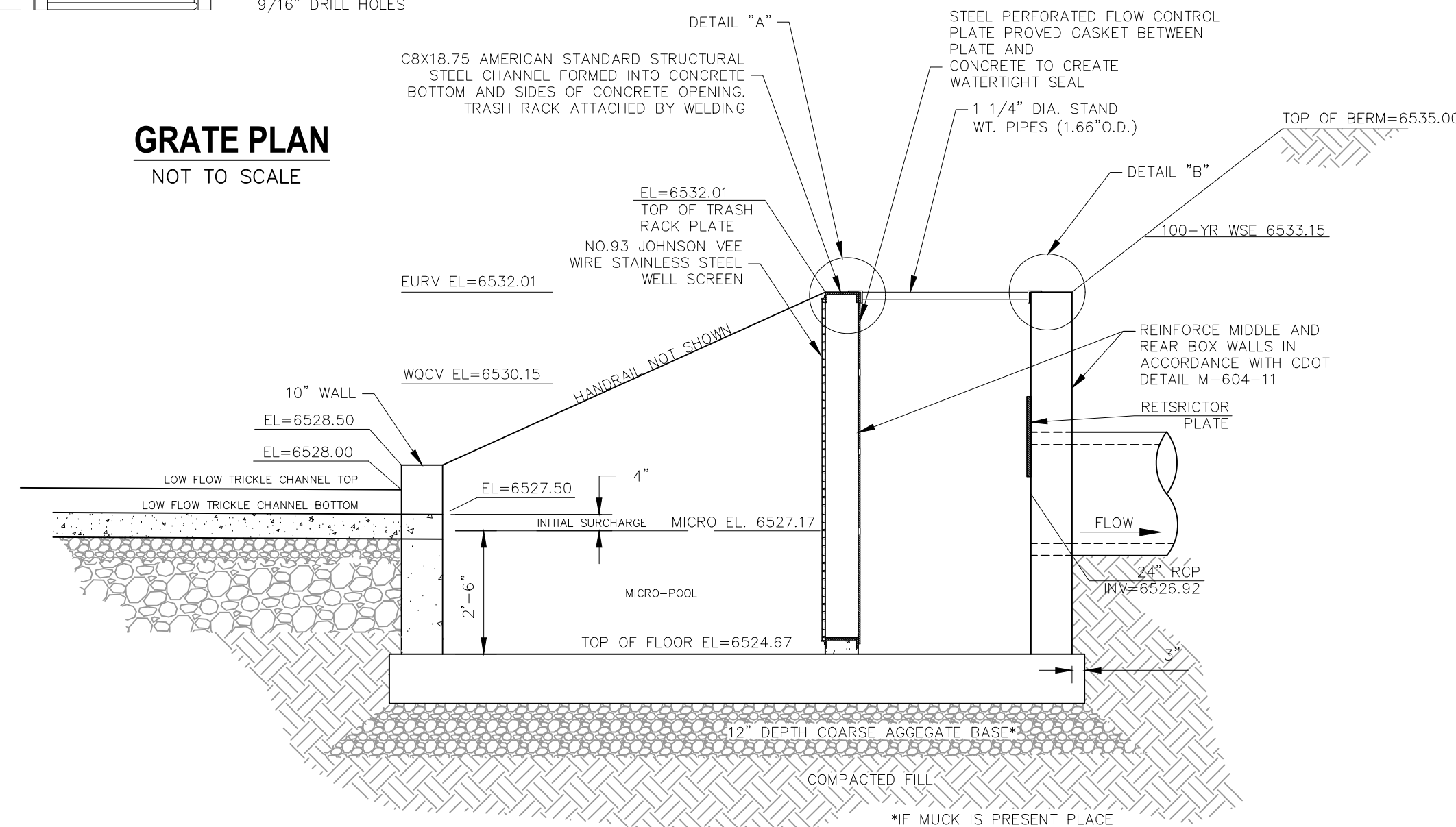


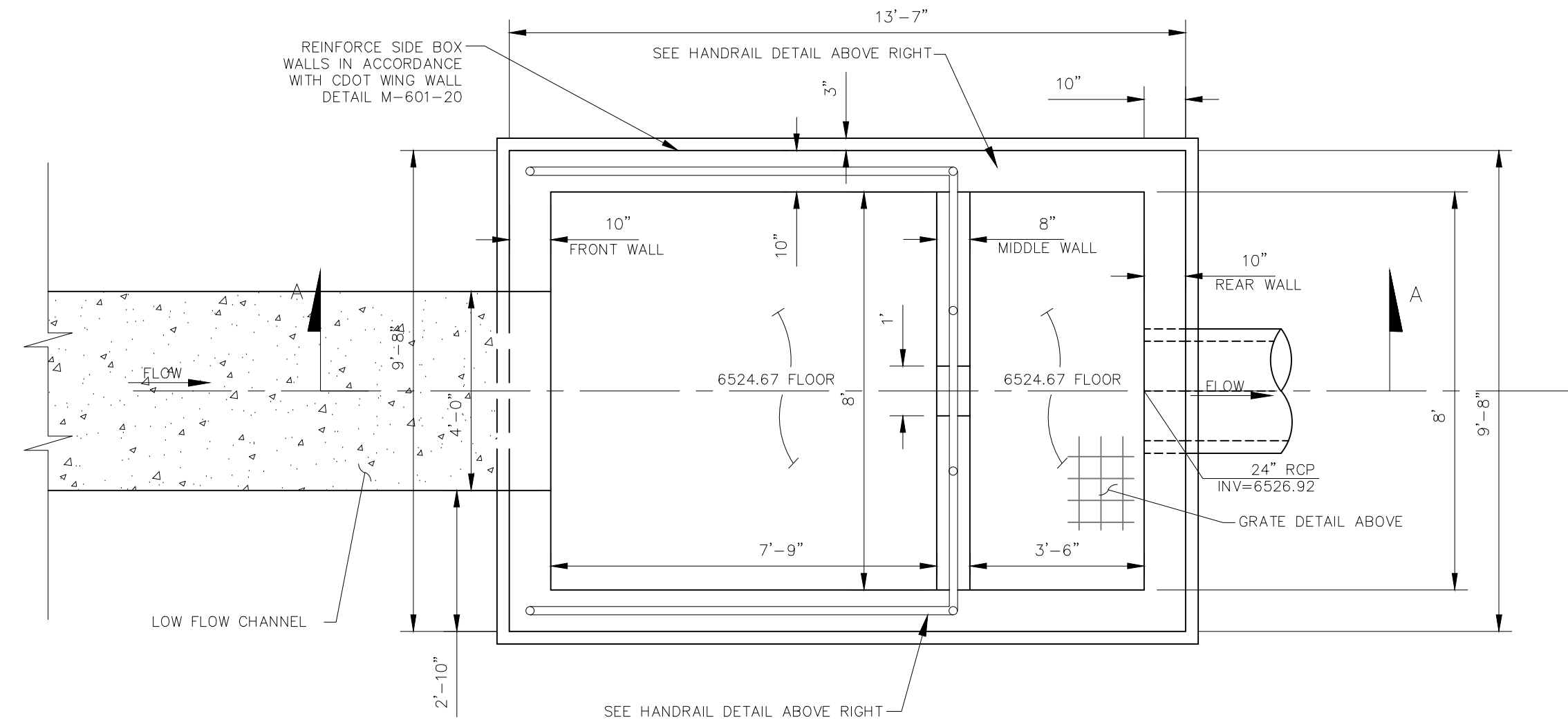
SECTION
NOT TO SCALE



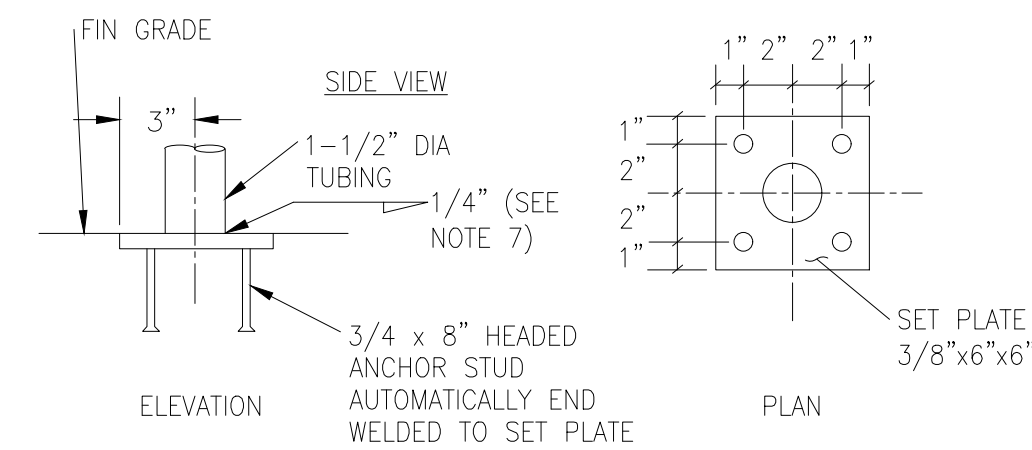
GRATE PLAN
NOT TO SCALE



SECTION A-A
NOT TO SCALE

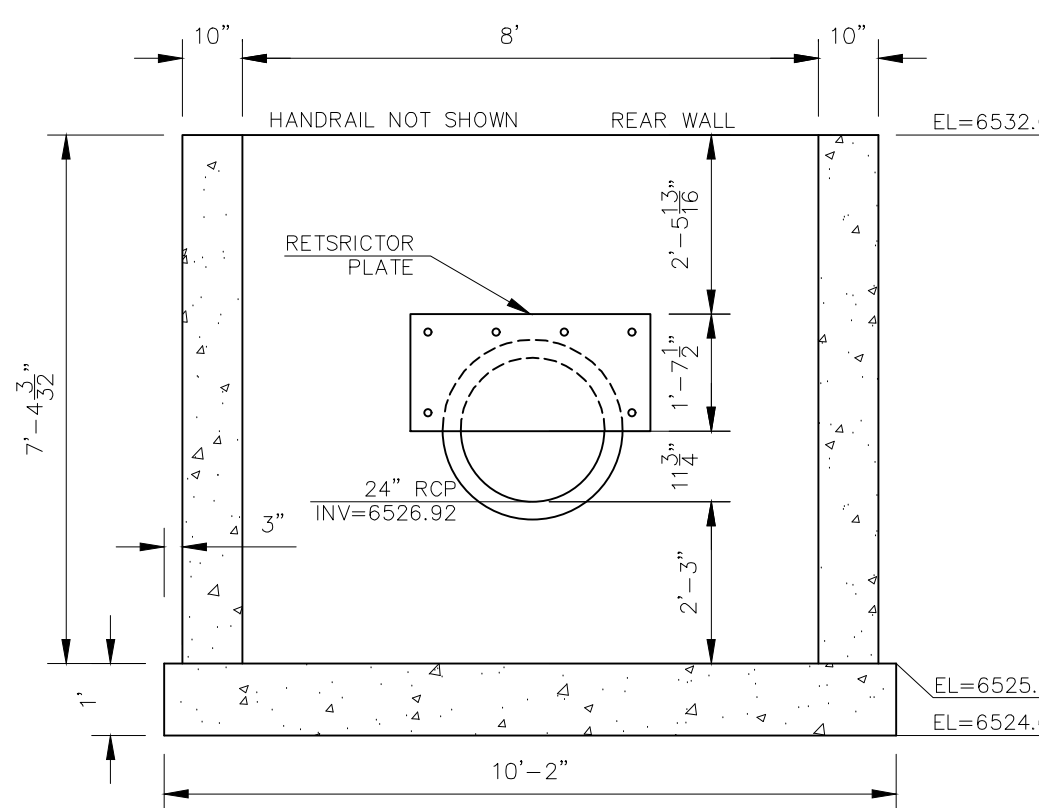
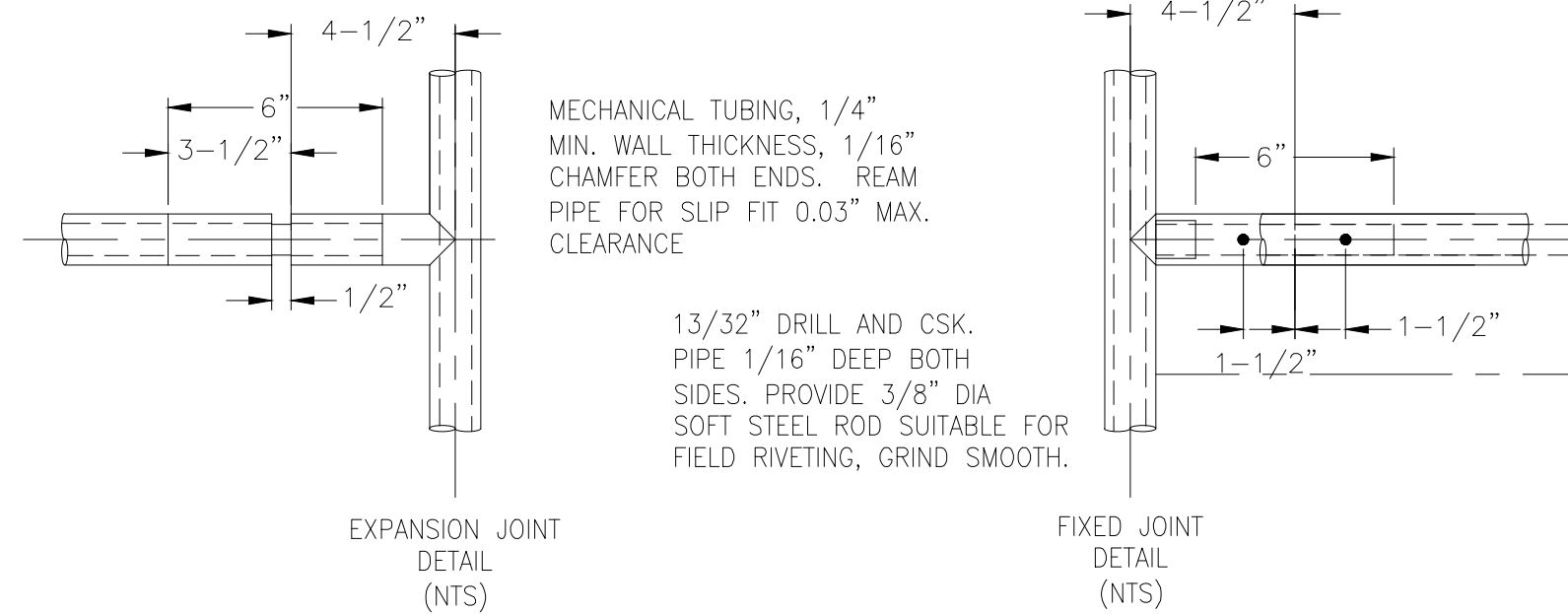


FDS POND WATER QUALITY OUTLET STRUCTURE
NOT TO SCALE

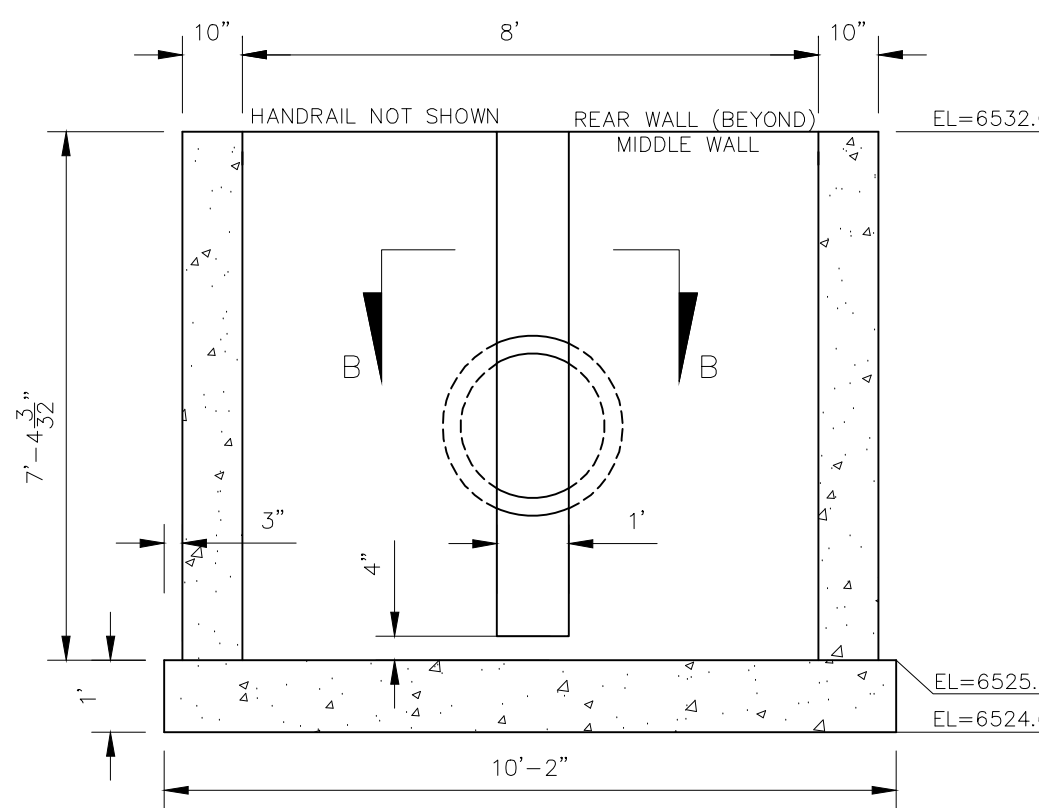


HANDRAIL ASSEMBLY DETAILS
NOT TO SCALE

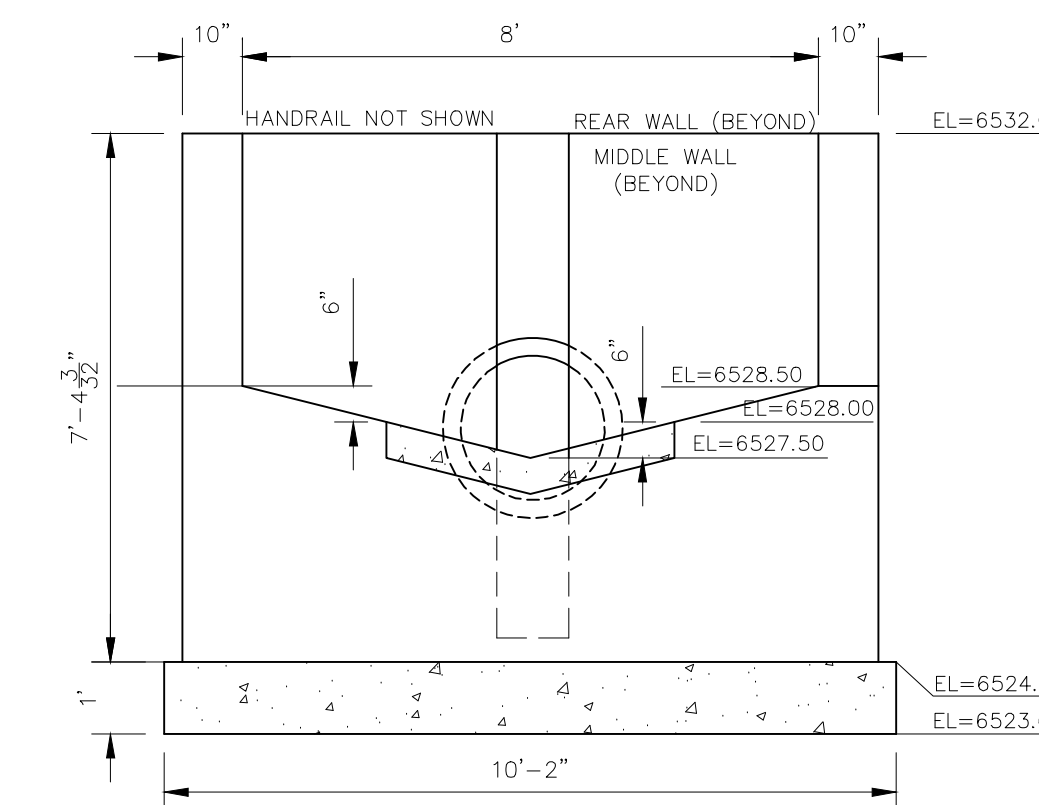
- 1) WELD PLATES MAY BE SUBSTITUTED FOR PIPE EMBEDMENT.
- 2) CONTRACTOR TO SUBMIT SHOP DRAWINGS TO ENGINEER OF RECORD FOR APPROVAL PRIOR TO FABRICATION.
- 3) DESIGN CRITERIA SHALL BE IN ACCORDANCE WITH AASHTO STANDARDS.
- 4) HANDRAIL DESIGN SHALL BE COMPATIBLE WITH THE DESIGN OF THE WINGWALLS AND HEADWALLS.
- 5) RAILING POSTS SHALL BE SET TO NORMAL TO GRADE. RAILS SHALL RUN PARALLEL TO THE SLOPES OF THE TOP OF WALLS.
- 6) ALL RAILS SHALL BE FREE OF ANY SHARP EDGES OR CORNERS.



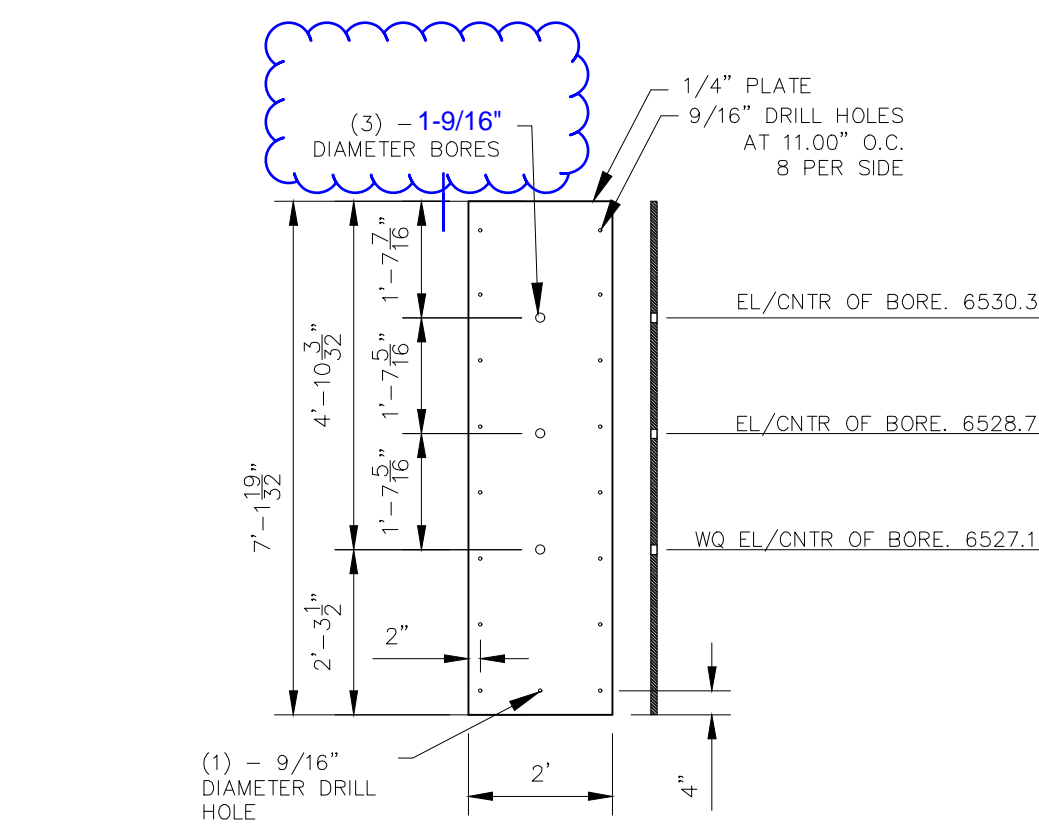
REAR WALL
NOT TO SCALE



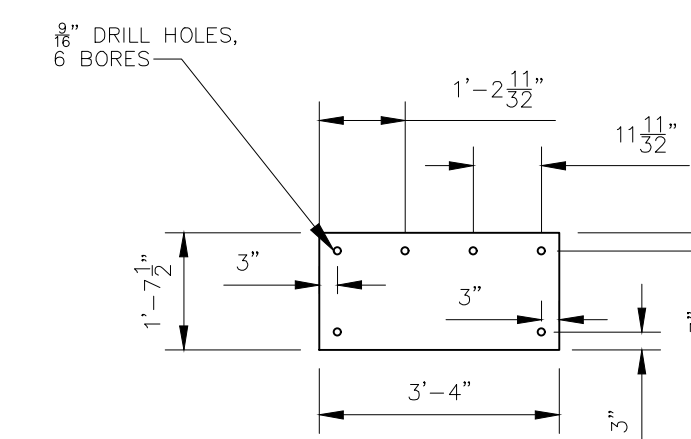
MIDDLE WALL
NOT TO SCALE



FRONT/STEM WALL
NOT TO SCALE

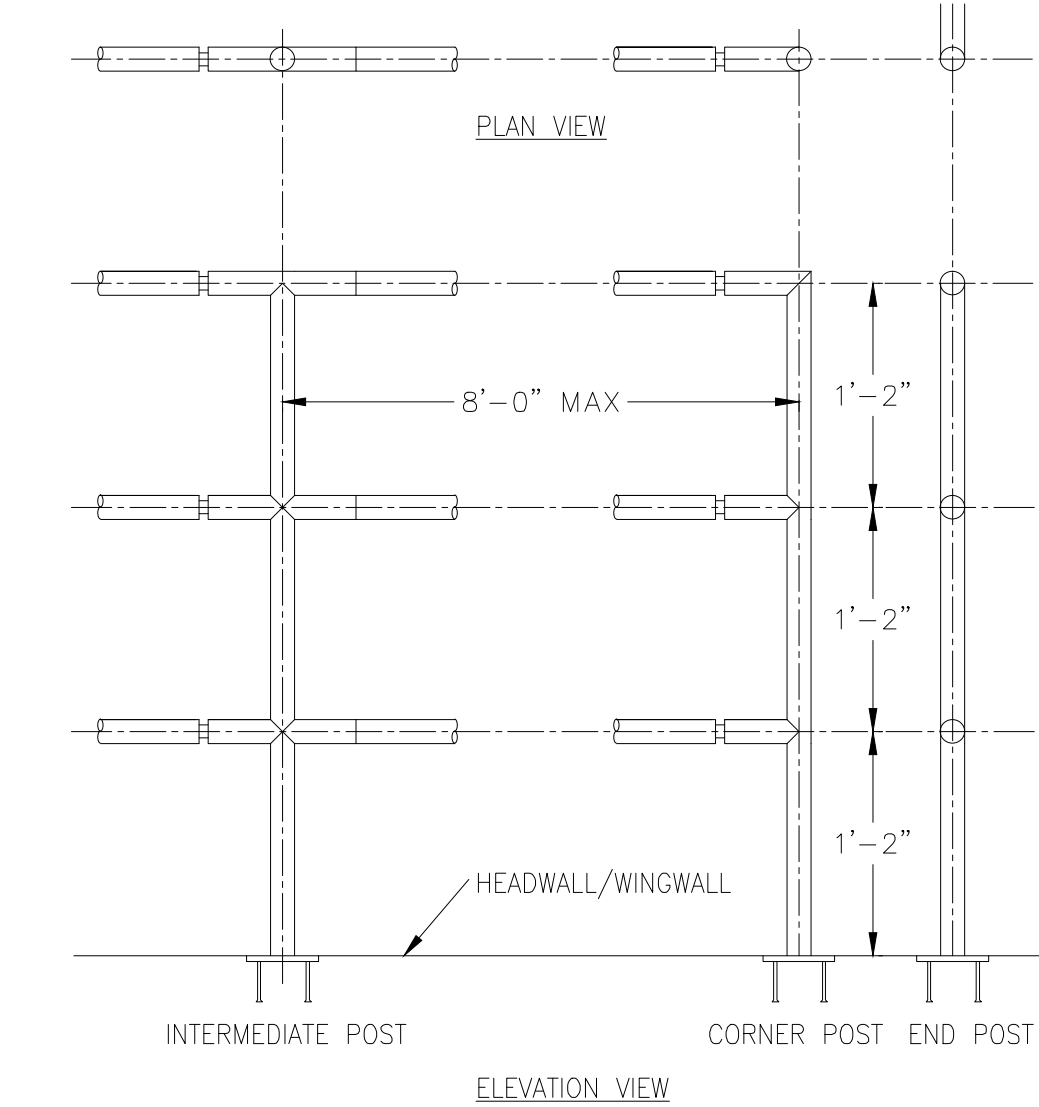


ORIFICE PLATE
NOT TO SCALE

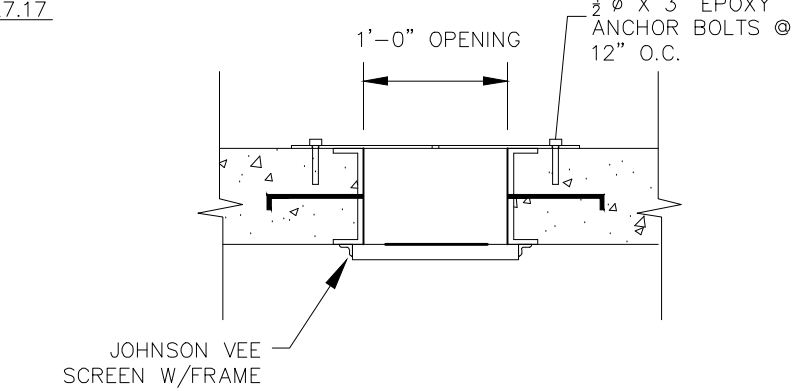


RESTRICTOR PLATE
NOT TO SCALE

NOTE:
ALL GRATES, IMBEDS, AND FASTENERS SHALL BE FABRICATED USING GALVANIZED STEEL, UNLESS OTHERWISE NOTED.
ALL GRATE DIMENSIONS TO BE FIELD VERIFIED PRIOR TO FABRICATION. ALL GRATE MATERIAL SHALL BE GALVANIZED.



SECTION B-B
NOT TO SCALE



TRASH SCREEN DETAIL
NOT TO SCALE

20 BOULDER CRESCENT, SUITE 110
COLORADO SPRINGS, CO 80903
PHONE: 719.555.5485

M&S CIVIL CONSULTANTS, INC.
CIVIL CONSULTANTS, INC.

FOR AND ON BEHALF OF
M&S CIVIL CONSULTANTS, INC.

Virgil A. Sanchez, Colorado P.E. No. 37760

NO.	DATE	BY	DESCRIPTION

APPROVED BY: _____ DATE: _____

THE ENGINEER PREPARING THESE PLANS WILL NOT BE RESPONSIBLE OR LIABLE FOR UNAUTHORIZED CHANGES TO OR USES OF THESE PLANS. ALL CHANGES TO THE PLANS MUST BE IN WRITING AND MUST BE APPROVED BY THE PREPARER OF THESE PLANS.

CAUTION

File: 0:\311717-Dwire-Yard\Draws\For\DWG\Const\DWG\ST03.dwg PlotStamp: 11/16/2020 2:38 PM

FOR LOCATING & MARKING GAS, ELECTRIC, WATER & TELEPHONE LINES
FOR BURIED UTILITY INFORMATION 48 HRS BEFORE YOU DIG CALL 1-800-922-1987