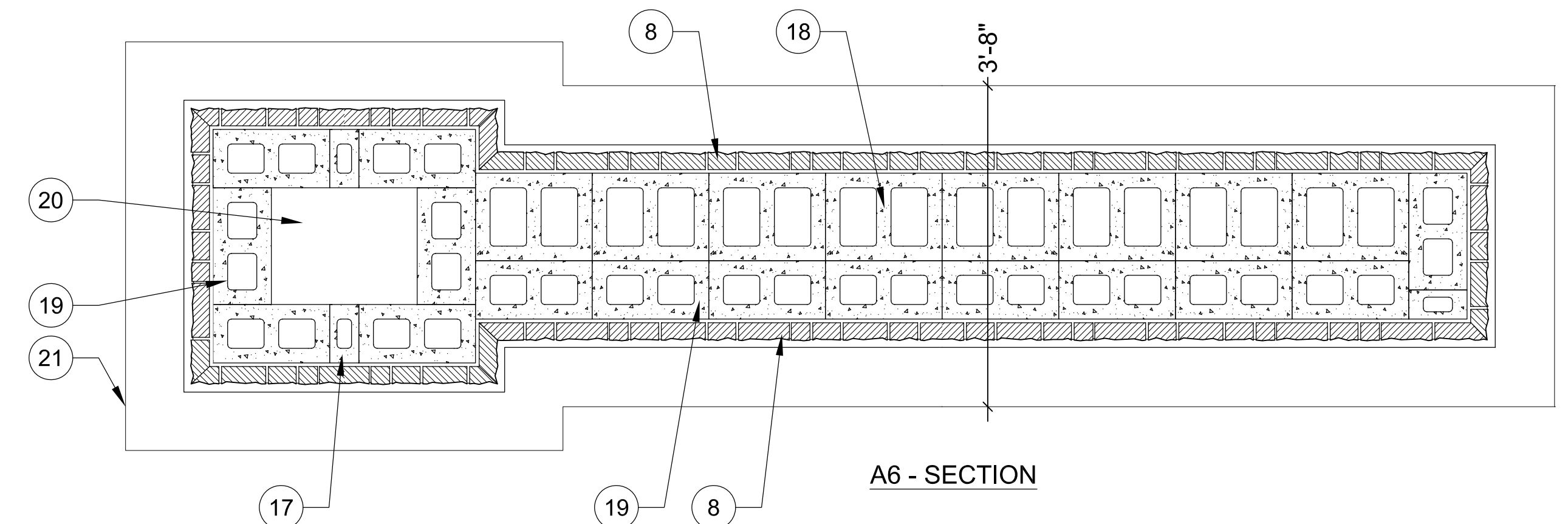
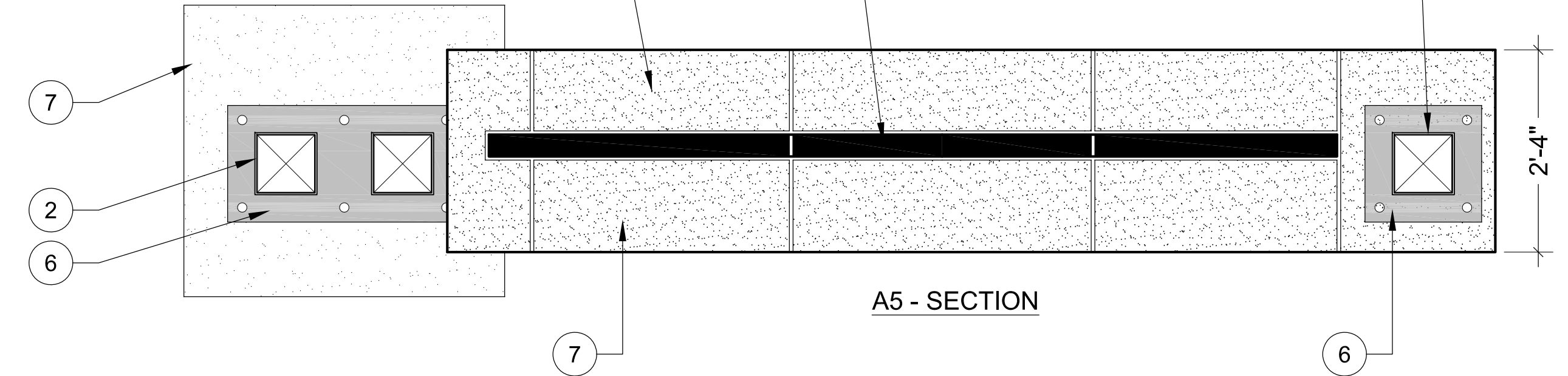
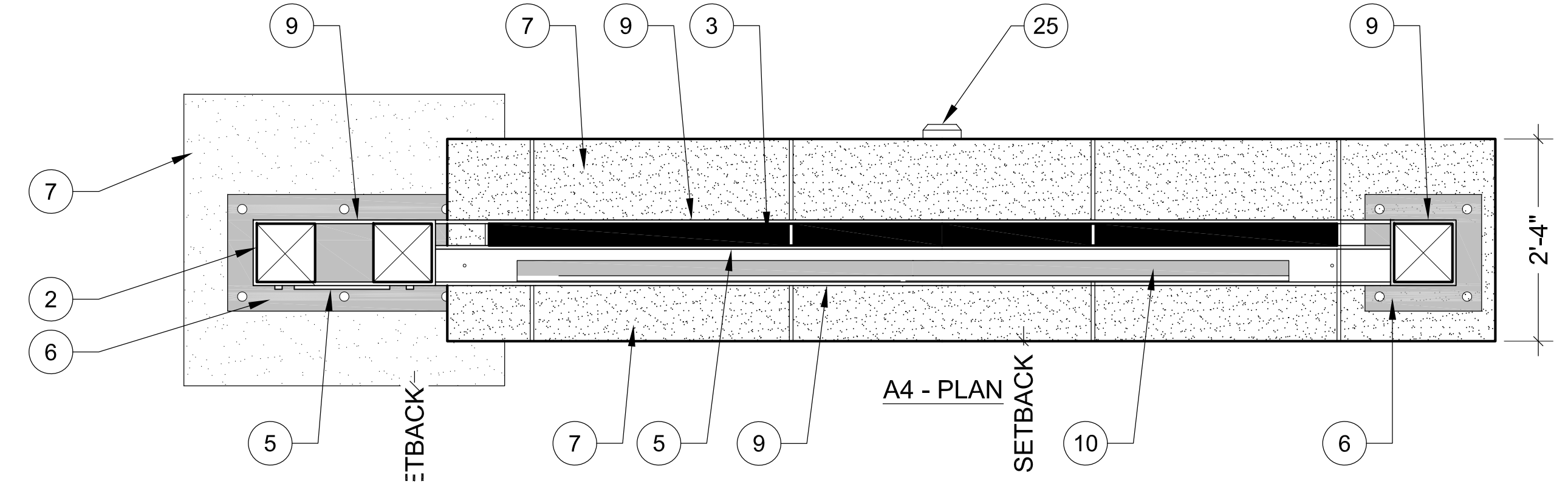


**LEGEND**

- ① BLACK POWDER COATED METAL POSTS CAPS
- ② 8 3/4" x 8 3/4" GLULAM WOOD POSTS. WOOD SEAMS TO FACE MONUMENT SIDES.
- ③ 3" THICK SANDSTONE PANELS. SELECT LIGHTEST SHADE AVAILABLE. HAND-CHISELED ROUGH ON FRONT FACE AND SIDES ONLY.
- ④ BLACK POWDER COATED METAL LETTERING. CAPITAL LETTERS AVG. HEIGHT 11". OVERALL TEXT LENGTH 7'-5".
- ⑤ CIRCULAR LOGO IS MADE UP OF A BLACK POWDER COATED STEEL BACKING, WITH A GALVANIZED STEEL 'YJ' LOGO AND CIRCULAR RING WELDED ON TOP.
- ⑥ ONE-PIECE BLACK POWDER COATED METAL PLATE WITH POST HOLDERS
- ⑦ 4" THICK CAP STONE, COLOR TO MATCH SANDSTONE
- ⑧ CULTURED STONE VENEER: STYLE- COUNTRY LEDGESTONE; COLOR- MOJAVE
- ⑨ BLACK POWDER COATED METAL STRAPS
- ⑩ LIGHT "E" ON LUMINAIRE SCHEDULE
- ⑪ GALVANIZED STEEL LETTERS ON METAL STRAP. LARGE CAPS AVG. HEIGHT 3.5". OVERALL TEXT LENGTH 2'-0".
- ⑫ FINISHED GRADE
- ⑬ 4" GRAVEL BACKFILL WITH DRAINAGE PIPE
- ⑭ REINFORCEMENT
- ⑮ CMU BASE, SEE SECTION A6
- ⑯ CONCRETE FOOTING
- ⑰ 4"x8"x16" CMU
- ⑱ 12"x8"x16" CMU
- ⑲ 8"x8"x16" CMU
- ⑳ GROUT FILL CMU VOIDS WITH REINFORCEMENT
- ㉑ FOOTING OUTLINE
- ㉒ 95% COMPACTED SUBGRADE
- ㉓ LIGHT "A" ON LUMINAIRE SCHEDULE
- ㉔ LIGHT "B" ON LUMINAIRE SCHEDULE
- ㉕ ELECTRIC CONDUIT AND BOX CENTERED ON BACK OF MONUMENT. WEATHERPROOF GFCI 2-OUTLET BOX.

- NOTES:**
- A. ACCESSORY BOLTS AND FASTENERS TO BE BLACK POWDER COATED METAL.
  - B. GALVANIZED STEEL HAS A MATTE FINISH.
  - C. LETTERING FONT IS COPPERPLATE GOTHIC BOLD.
  - D. LETTERING AND LOGO CONTRACTOR TO PROVIDE SHOP DRAWINGS FOR LA APPROVAL.
  - E. CONTRACTOR TO PROVIDE ELECTRICAL SHOP DRAWINGS FOR LA APPROVAL. ELECTRICAL BOX TO SUPPORT MONUMENT LIGHTING, INCLUDING ADDITIONAL SEASONAL LIGHTING.
  - F. WOOD TO BE STAINED USING SHERWIN WILLIAMS, WOODSCAPES EXTERIOR POLYURETHANE SEMI-TRANSPARENT STAIN IN CHARWOOD SW3542.



**LAZY Y ROCKING J  
RV PARK**

**ISSUE RECORD**

DRAFT REVIEW SET	09/12/24

PROJECT #:  
DATE: 09/10/24  
BY: RH

**SHEET TITLE**

**ENTRANCE  
SIGN DETAILS**

**SHEET NUMBER**

