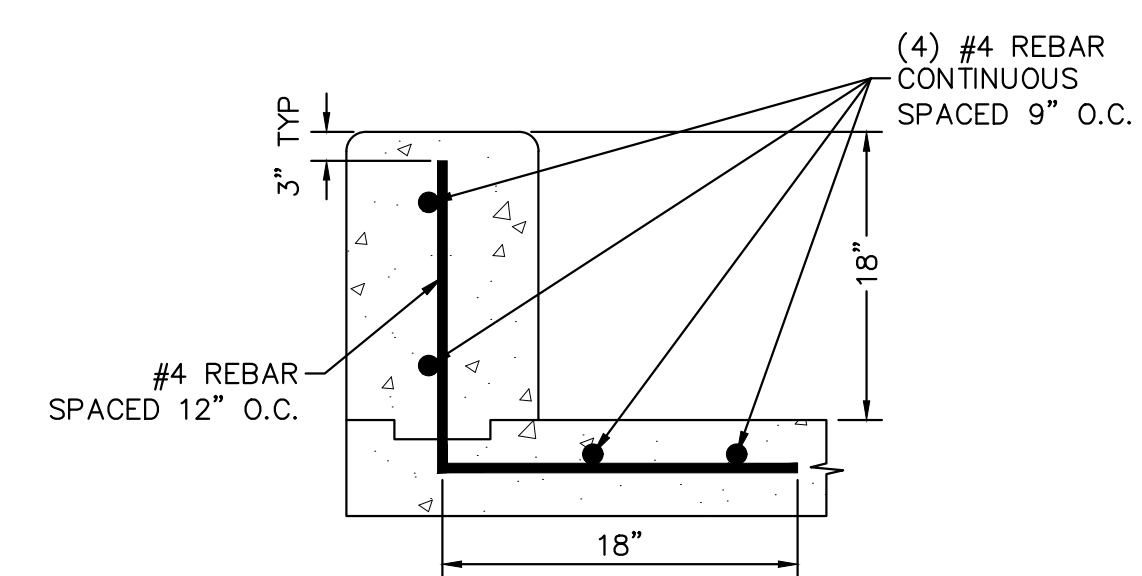
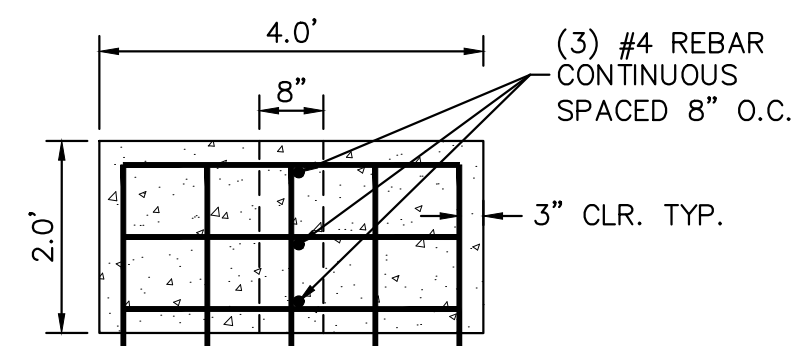


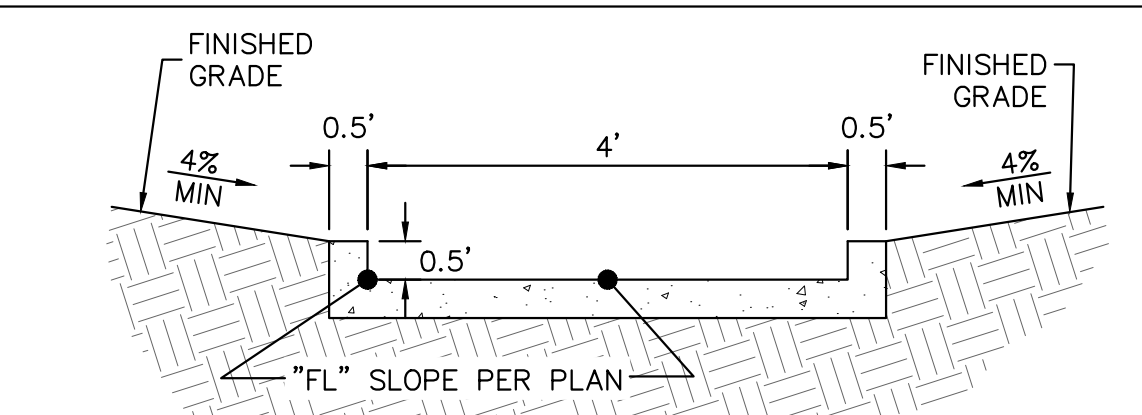
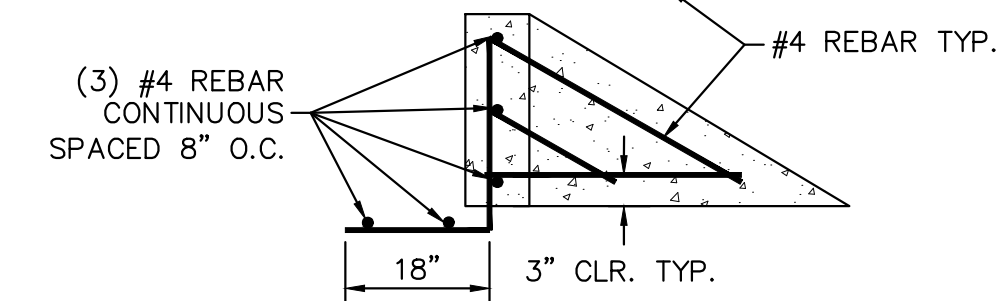
**FOREBAY WALL PLAN VIEW DETAIL**  
N.T.S.



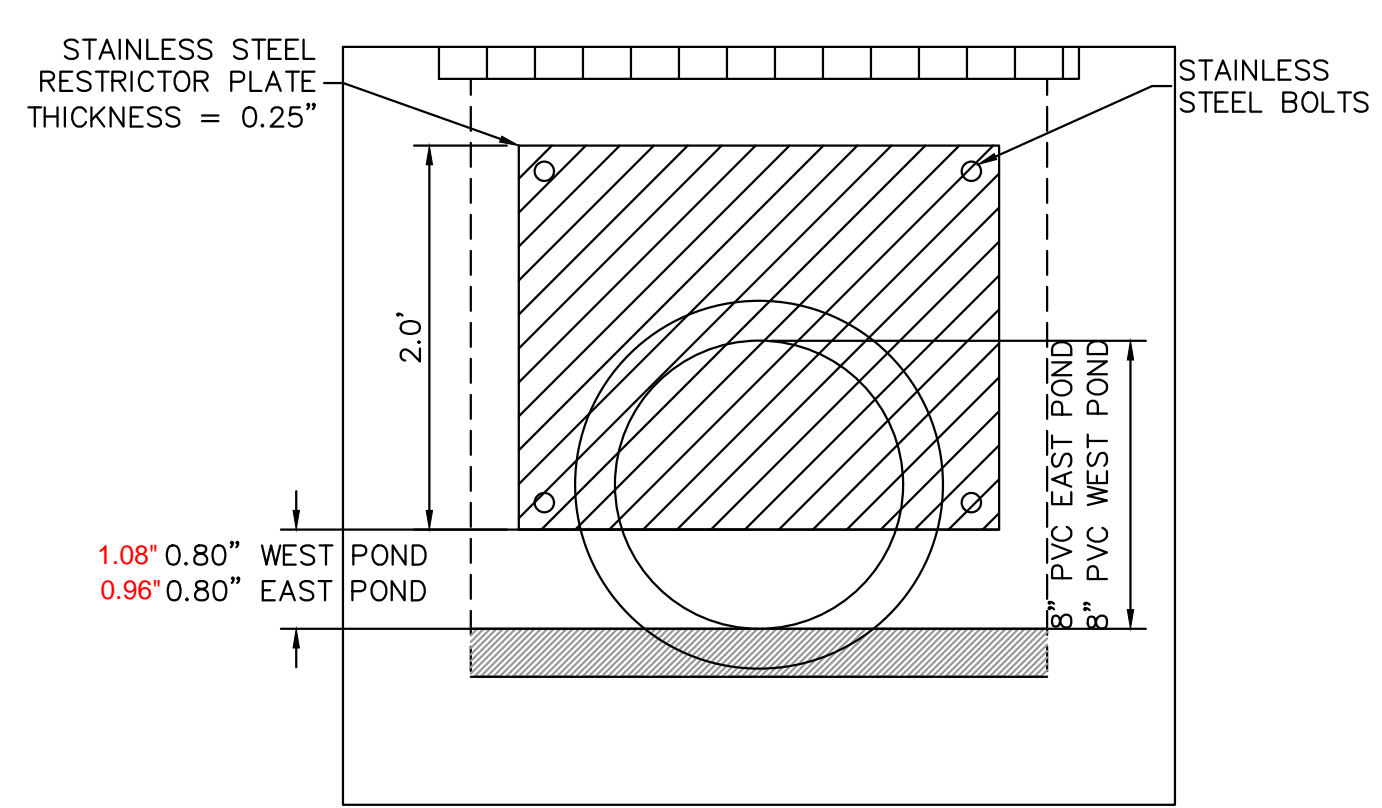
**FOREBAY WALL SECTION E**  
N.T.S.



**FOREBAY DISSIPATER DETAIL**  
N.T.S.

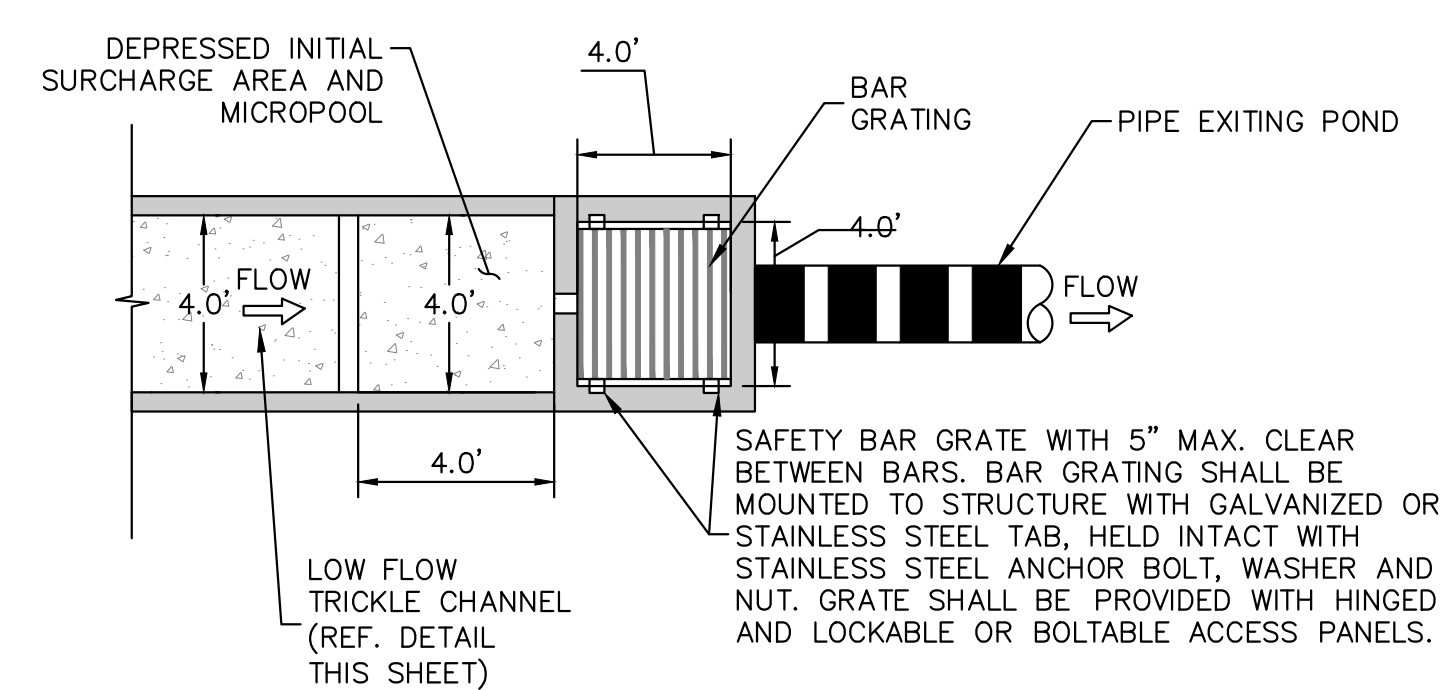


**TRICKLE CHANNEL CROSS-SECTION DETAIL**  
N.T.S.

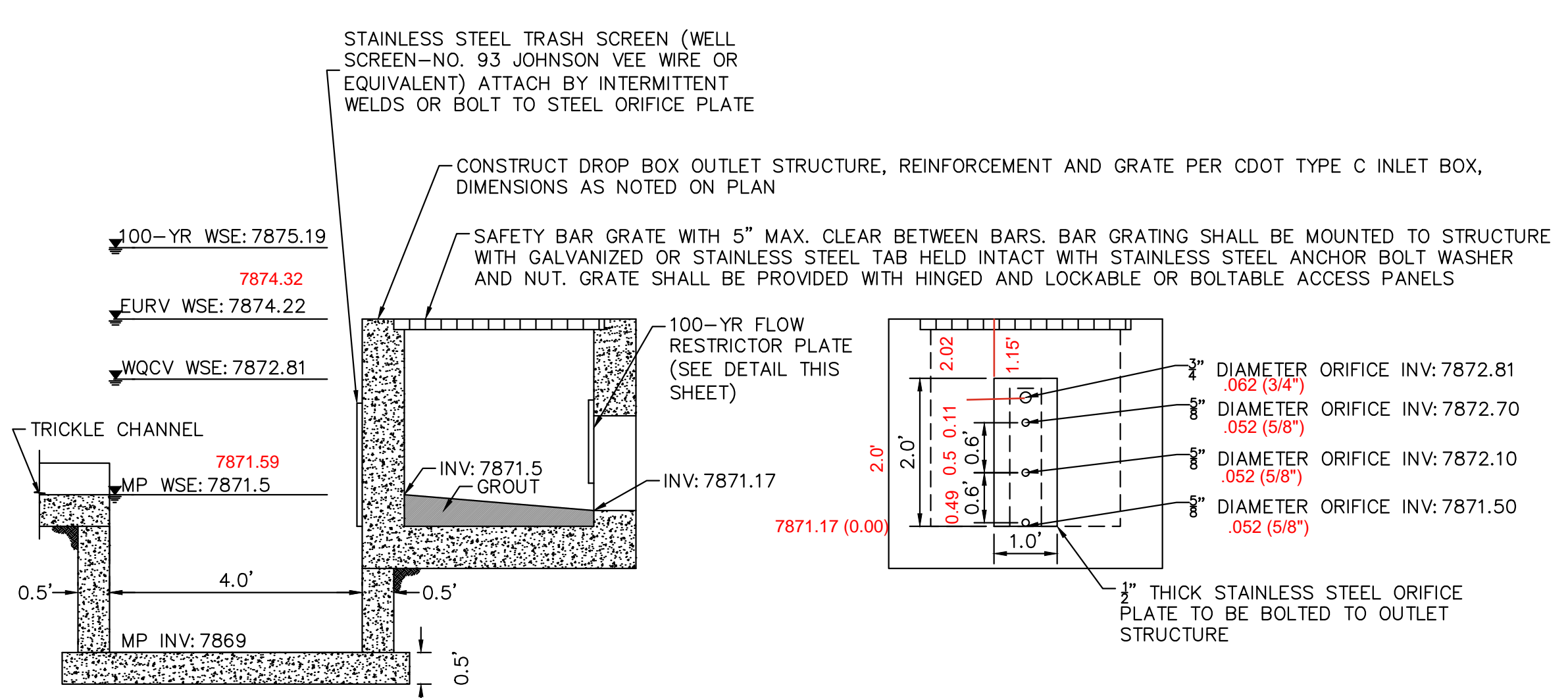


**100-YEAR FLOW RESTRICTOR DETAIL**  
N.T.S.

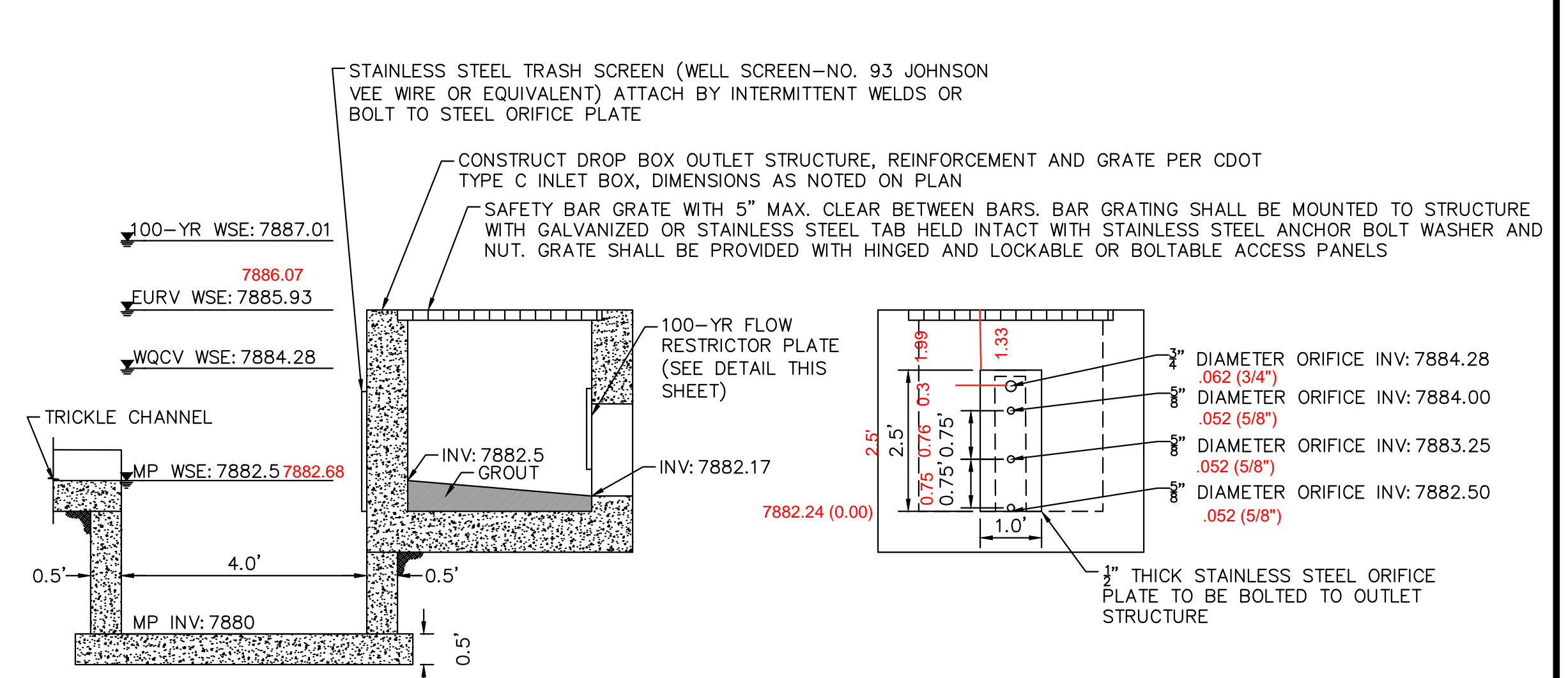
- LEGEND**
- PROPERTY LINE
  - XXXX PROPOSED MAJOR CONTOUR
  - XXXX PROPOSED MINOR CONTOUR
  - EXISTING MAJOR CONTOUR
  - EXISTING MINOR CONTOUR



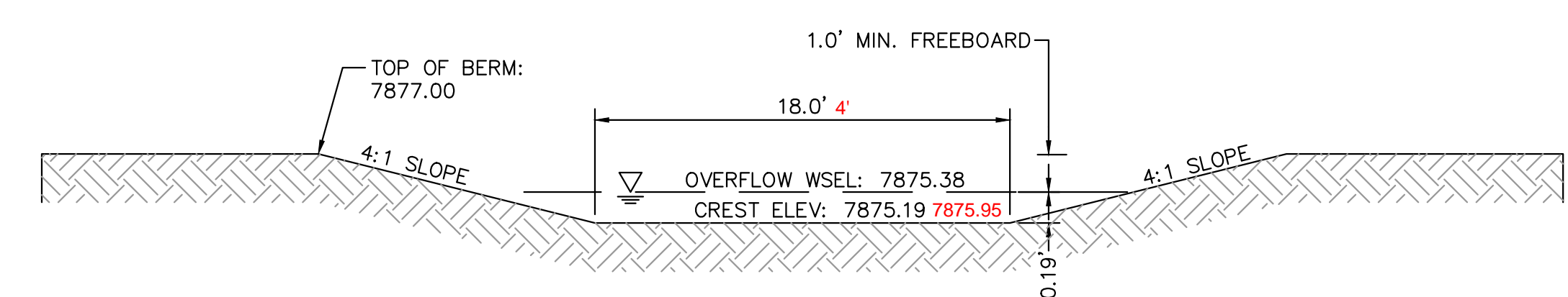
**MICROPOOL DETAIL**  
N.T.S.



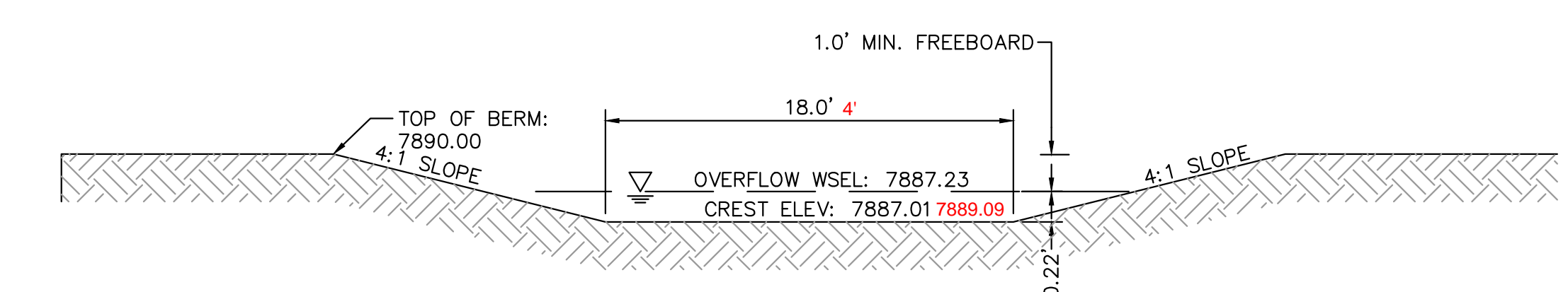
**WEST POND OUTLET STRUCTURE PROFILE DETAIL**  
N.T.S.



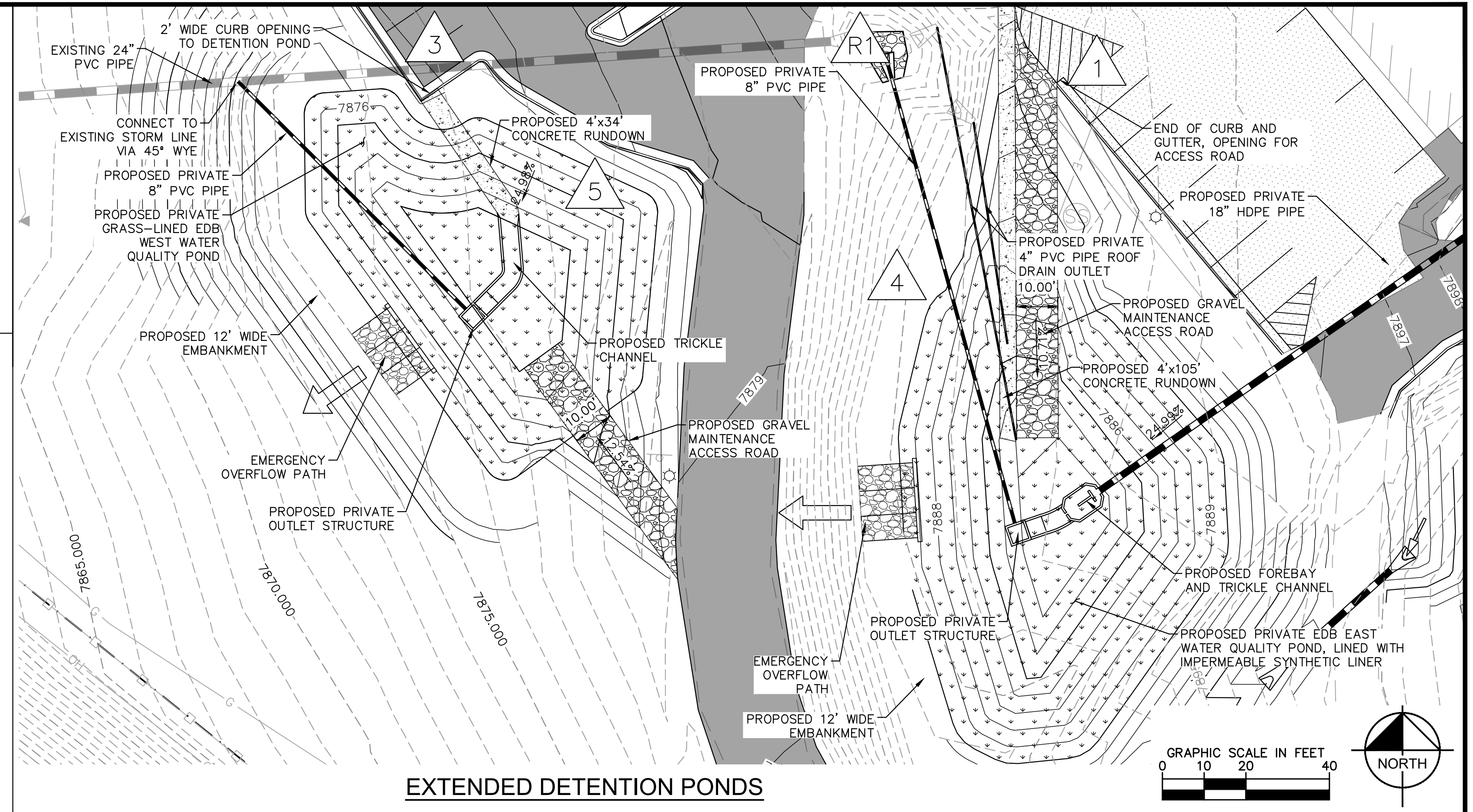
**EAST POND OUTLET STRUCTURE PROFILE DETAIL**  
N.T.S.



**WEST POND EMERGENCY SPILLWAY DETAIL (PROFILE VIEW)**  
N.T.S.



**EAST POND EMERGENCY SPILLWAY DETAIL (PROFILE VIEW)**  
N.T.S.



**EXTENDED DETENTION PONDS**

K:\cs\_civil\09856000\_green mountain falls church\CADD\Sheets\CDD\ Pond Details.dwg Jul 06, 2020 12:03pm

