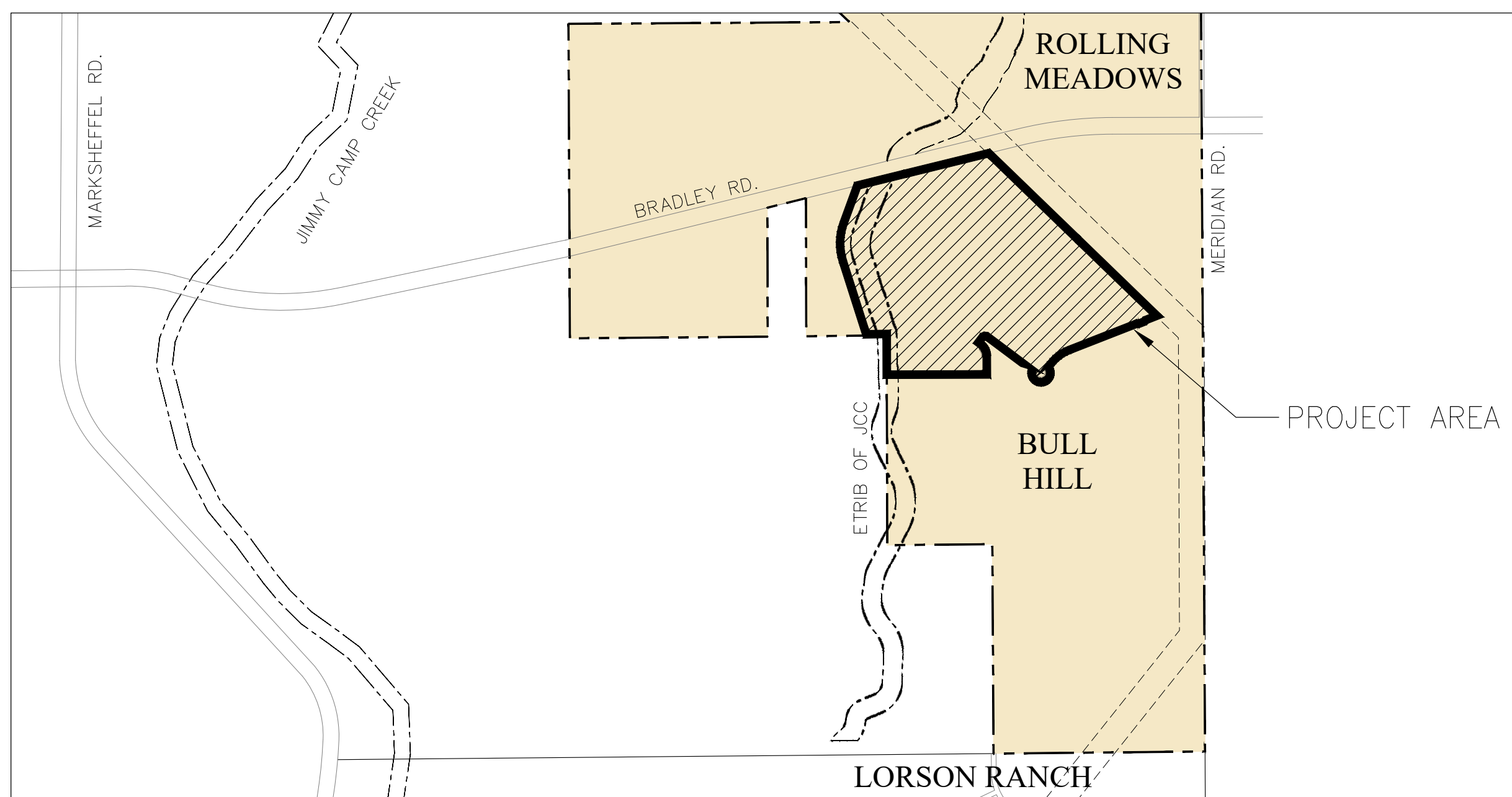


PRELIMINARY SITE GRADING CONSTRUCTION PLANS
FOR
ANTELOPE RIDGE AT BULL HILL FIL. NO. 1
EARLY OVERLOT GRADING / EROSION CONTROL PLANS



**Know what's below.
Call before you dig.**

CALL 2-BUSINESS DAYS IN ADVANCE
BEFORE YOU DIG, GRADE OR
EXCAVATE FOR THE MARKING OF
UNDERGROUND MEMBER UTILITIES



LOCATION MAP
1"=1500'

SHEET INDEX	
SHEET NO.	SHEET DESCRIPTION
C1.1	COVER SHEET
C1.2	NOTES (GENERAL, GRADING, EROSION CONTROL)
C1.3	TYPICAL SECTIONS
C4.1 ~ C4.11	GRADING AND EROSION CONTROL PLAN
C7.1 ~ C7.3	STORM SEWER CONSTRUCTION
C9.1 ~ C9.4	POND C, OUTLET STRUCTURES, AND DETAILS
C12.1 ~ C12.4	DETAILS

Design Engineer's Statement:

These detailed plans and specifications were prepared under my direction and supervision. Said plans and specifications have been prepared according to the criteria established by the County for detailed roadway, drainage, grading and erosion control plans and specifications, and said plans and specifications are in conformity with applicable master drainage plans and master transportation plans. Said plans and specifications meet the purposes for which the particular roadway and drainage facilities are designed and are correct to the best of my knowledge and belief. I accept responsibility for any liability caused by any negligent acts, errors or omissions on my part in preparation of these detailed plans and specifications.

Richard L. Schindler, P.E. # 33997 _____ Date

Owner/Developer's Statement:

I, the owner/developer have read and will comply with all of the requirements specified in these detailed plans and specifications.

Jeff Mark, Authorized Signing Agent _____ Date

Eagle Development Company
212 N. Wahsatch Avenue, Suite 301
Colorado Springs, CO 80903

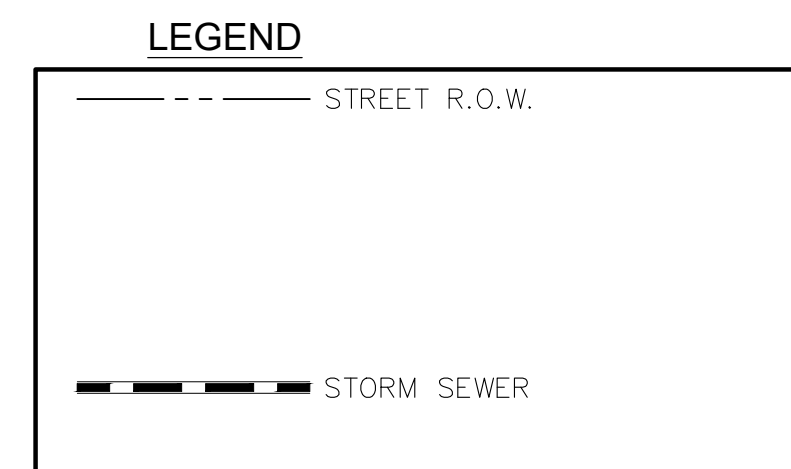
El Paso County:

County plan review is provided only for general conformance with County Design Criteria. The County is not responsible for the accuracy and adequacy of the design, dimensions, and/or elevations which shall be confirmed at the job site. The County through the approval of this document assumes no responsibility for completeness and/or accuracy of this document.

Filed in accordance with the requirements of the El Paso County Land Development Code, Drainage Criteria Manual, Volumes 1 and 2, and Engineering Criteria Manual as amended.

In accordance with ECM Section 1.12, these construction documents will be valid for construction for a period of 2 years from the date signed by the El Paso County Engineer. If construction has not started within those 2 years, the plans will need to be resubmitted for approval, including payment of review fees at the Planning and Community Development Directors discretion.

Joshua J. Palmer, P.E. _____ Date
County Engineer / ECM Administrator



WATER / SANITARY
WIDEFIELD WATER AND SANITATION DISTRICT
8495 FONTAINE BLVD.
COLORADO SPRINGS, CO 80925
719-390-7111

CABLE
COMCAST
P.O. BOX 173838
DENVER, CO 80217
970-641-4774

ELECTRIC
MOUNTAIN VIEW ELECTRIC
11140 E. WOODMEN RD.
COLORADO SPRINGS, CO 80831
719-495-2283

SECURITY FIRE PROTECTION DISTRICT
400 SECURITY BOULEVARD
SECURITY, CO 80911
719-392-7121

TELEPHONE
CENTURYLINK
7925 INDUSTRY ROAD
COLORADO SPRINGS, CO 80939
719-278-4651

GAS
COLORADO SPRINGS UTILITIES
1521 HANCOCK EXPRESSWAY
COLORADO SPRINGS, CO 80847
719-448-4800

EL PASO COUNTY
PLANNING AND COMMUNITY DEVELOPMENT
2880 INTERNATIONAL CIRCLE
COLORADO SPRINGS, CO 80910
719-520-6300

PREPARED FOR:
EAGLE DEVELOPMENT
N. WAHSATCH AVE., SUITE 301
COLORADO SPRINGS, CO 80903
719-635-3200
CONTACT: JEFF MARK

PREPARED BY:
CORE ENGINEERING GROUP
15004 1ST AVENUE S.
BURNSVILLE, MN 55306
719-570-1100
CONTACT: RICHARD L. SCHINDLER P.E.

BASIS OF BEARING

THE SOUTH RIGHT-OF-WAY LINE OF BRADLEY ROAD BEARS N76°10'55"E A DISTANCE OF 5849.08 FEET FROM ITS INTERSECTION WITH THE WEST LINE OF SECTION 11 TO THE POINT OF CURVE IN THE NORTHEAST QUARTER OF SECTION 12, BOTH POINTS BEING MONUMENTED WITH A YELLOW CAP PLS 23044.

BENCHMARK

FMS MONUMENT NUMBER 202 IS A U.S. GEOLOGICAL SURVEY BRASS CAP STAMPED '11 HA 1947' IN A CONCRETE PAD, LOCATED ALONG DRENNAN ROAD, APPROXIMATELY 0.5 MILES EAST OF MARKSHEFFEL ROAD, APPROXIMATELY 200 FEET EAST OF A BRIDGE. THE MARK IS 32 FEET NORTH OF THE PAVEMENT, 23 FEET EAST OF A NORTH TO SOUTH FENCE LINE, AND 2 FEET NORTHEAST OF A POWER POLE." ELEVATION 5870.61 (N.G.V.D. 29)

TRAFFIC CONTROL NOTE

THE CONTRACTOR SHALL PROVIDE ALL TRAFFIC CONTROL DEVICES AND MONITORING NECESSARY TO SAFELY COMPLETE THE WORK SHOWN IN THESE CONSTRUCTION DOCUMENTS IN CONFORMANCE WITH M.U.T.C.D. GUIDELINES. THE CONTRACTOR SHALL COMPLETE ALL NECESSARY WORK FOR PLAN REVIEW, PERMITS AND PROCESSING. TRAFFIC CONTROL WILL NOT BE PAID SEPARATELY BUT IS INCLUDED IN THE COST OF THE PROJECT.

CORE ENGINEERING GROUP
15004 1ST AVENUE S.
BURNSVILLE, MN 55306
CONTACT: RICHARD L. SCHINDLER, P.E.
EMAIL: Rich@cegi.com

DATE: ###/###/###
DESCRIPTION: ###/###/###
NO. ###/###/###
PROJECT: ANTELOPE RIDGE AT BULL HILL PHASE 1
FONTAINE BLVD./MARKSHEFFEL RD
COLORADO SPRINGS, CO
PREPARED FOR: EAGLE DEVELOPMENT
212 N. WAHSATCH AVE. SUITE 301
COLORADO SPRINGS, COLORADO 80903
(719) 635-3200
CONTACT: JEFF MARK

DRAWN: BRN
DESIGNED: RLS
CHECKED: RLS

COVER SHEET
EARLY GRADING AND
EROSION CONTROL PLAN

PRELIMINARY

DATE:
APR., 2026
PROJECT NO.
100.302
SHEET NUMBER
C1.1
TOTAL SHEETS: 25

CONSTRUCTION NOTES

- ALL WORK SHALL COMPLY WITH THE CODES AND POLICIES FOR EL PASO COUNTY.
- EXISTING TOPOGRAPHIC INFORMATION SHOWN ON THIS GRADING PLAN WAS OBTAINED FROM AERIAL CONTOURS AND PREVIOUS CONSTRUCTION DOCUMENTS. THE CONTRACTOR SHALL BE RESPONSIBLE TO EXAMINE THE SITE AND BE FAMILIAR WITH THE EXISTING CONDITIONS.
- DEPTH OF MOISTURE-DENSITY CONTROL FOR THIS PROJECT SHALL BE AS FOLLOWS:
BASE OF ALL CUTS AND FILLS – 12 INCHES,
FULL DEPTH OF ALL EMBANKMENTS
- THE CONTRACTOR IS RESPONSIBLE FOR THE RE-ESTABLISHMENT OF ALL SURVEY MONUMENTS DISTURBED WITHIN THE PROJECT LIMITS.
- THE CONTRACTOR SHALL PROTECT ALL WORK AREAS AND FACILITIES FROM FLOODING AT ALL TIMES. AREAS AND FACILITIES SUBJECTED TO FLOODING, REGARDLESS OF THE SOURCE OF WATER, SHALL BE PROMPTLY DEWATERED AND RESTORED.
- PRIOR TO PAVING OPERATIONS, THE ENTIRE SUBGRADE SHALL BE PROOF-ROLLED WITH A LOADED 988 FRONT-END LOADER OR SIMILAR HEAVY RUBBER Tired VEHICLE (GVW OF 50,000 POUNDS WITH 18 KIP PER AXLE AT TIRE PRESSURES OF 90 PSI) TO DETECT ANY SOFT OR LOOSE AREAS. IN AREAS WHERE SOFT OR LOOSE SOILS, PUMPING OR EXCESSIVE MOVEMENT IS OBSERVED, THE EXPOSED MATERIALS SHALL BE OVER-EXCAVATED TO A MINIMUM DEPTH OF TWO FEET BELOW PROPOSED FINAL GRADE OR TO A DEPTH AT WHICH SOILS ARE STABLE. AFTER THIS HAS BEEN COMPLETED, THE EXPOSED MATERIALS SHALL BE SCARIFIED TO A DEPTH OF 12 INCHES AND MOISTURE CONDITIONED. THE SUBGRADE SHALL THEN BE UNIFORMLY COMPACTED TO A MINIMUM OF 95% OF STANDARD PROCTOR DENSITY (ASTM D-698) AT 0 TO +4.0% OF OPTIMUM MOISTURE CONTENT FOR A-6 AND A-7-6 SOILS ENCOUNTERED. OTHER SUBGRADE TYPES SHALL BE UNIFORMLY COMPACTED TO A MINIMUM OF 95% OF MODIFIED PROCTOR DENSITY (ASTM D-1557) AT PLUS OR MINUS 2.0% OF OPTIMUM MOISTURE CONTENT. AREAS WHERE STABLE NATURAL SOILS ARE ENCOUNTERED AT PROPOSED SUBGRADE ELEVATION SHALL ALSO BE SCARIFIED (18 INCHES FOR A-7-6 SOILS BELOW FULL-DEPTH ASPHALT CONCRETE) AND COMPACTED AS OUTLINED ABOVE PRIOR TO PAVING OPERATIONS. SUBGRADE FILL SHALL BE PLACED IN SIX-INCH LIFTS AND UNIFORMLY COMPACTED, MEETING THE REQUIREMENTS AS PREVIOUSLY DESCRIBED.
- SUBGRADE MATERIALS DEEMED UNSUITABLE BY THE ENGINEER SHALL BE EXCAVATED, DISPOSED OF AND REPLACED WITH APPROVED MATERIALS.
- FILL SHALL BE PLACED IN 8-INCH MAXIMUM LOOSE LIFTS AND SHALL BE COMPACTED PRIOR TO SUCCESSIVE LIFTS.
- THE CONTRACTOR IS RESPONSIBLE FOR PREVENTING AND CONTROLLING EROSION DURING CONSTRUCTION ACTIVITIES AT ALL TIMES DURING GRADING AND CONSTRUCTION. THE CONTRACTOR SHALL PROVIDE THE FOLLOWING EROSION AND SEDIMENT CONTROL MEASURES:
 - HAY BALE BARRIERS WHERE NEEDED AND/OR AS DIRECTED BY THE ENGINEER.
 - SILT FENCE WHERE NEEDED AND/OR AS DIRECTED BY THE ENGINEER.
 - TEMPORARY SEDIMENTATION BASINS WHERE NEEDED AND/OR AS DIRECTED BY THE ENGINEER.
 - MULCHING AND SEEDING OF EXCESSIVE SLOPED AREAS AS NEEDED OR AS DIRECTED BY THE ENGINEER.
 - TEMPORARY VEHICLE TRACKING CONTROL AS NEEDED AND/OR DIRECTED BY THE ENGINEER.
 - CONCRETE WASH AREAS.
 - INLET PROTECTION.
 THESE AND ALL EROSION CONTROL BEST MANAGEMENT PRACTICES AS SHOWN IN THE GRADING AND EROSION CONTROL PLANS SHALL BE STRICTLY ADHERED TO.
- FINISHED CONTOURS/SPOT ELEVATIONS SHOWN HEREON REPRESENT FINISHED GRADES. ALL PAVEMENT SUBGRADES ARE BASED ON THE COMPOSITE ASPHALT PAVEMENT RECOMMENDATIONS MADE IN THE "GEOTECHNICAL STUDY" FOR THIS PROJECT.
- THERE MAY BE SOME TOPSOIL THAT IS NOT SUITABLE FOR RE-USE. CONTRACTOR SHALL AMEND THE TOPSOIL AS NECESSARY AND RE-SPREAD IN ACCORDANCE WITH THE GEOTECHNICAL RECOMMENDATIONS. IF TOPSOIL CANNOT BE AMENDED IT SHALL BE USED AS FILL WHERE NO FUTURE STRUCTURES OR ROADS WILL BE BUILT.

EL PASO COUNTY STANDARD CONSTRUCTION NOTES:

- ALL DRAINAGE AND ROADWAY CONSTRUCTION SHALL MEET THE STANDARDS AND SPECIFICATIONS OF THE CITY OF COLORADO SPRINGS/EL PASO COUNTY DRAINAGE CRITERIA MANUAL, VOLUMES 1 AND 2, AND THE EL PASO COUNTY ENGINEERING CRITERIA MANUAL.
- CONTRACTOR SHALL BE RESPONSIBLE FOR THE NOTIFICATION AND FIELD NOTIFICATION OF ALL EXISTING UTILITIES, WHETHER SHOWN ON THE PLANS OR NOT, BEFORE BEGINNING CONSTRUCTION. LOCATION OF EXISTING UTILITIES SHALL BE VERIFIED BY THE CONTRACTOR PRIOR TO CONSTRUCTION. CALL 811 TO CONTACT THE UTILITY NOTIFICATION CENTER OF COLORADO (UNCC).
- CONTRACTOR SHALL KEEP A COPY OF THESE APPROVED PLANS, THE GRADING AND EROSION CONTROL PLAN, THE STORMWATER MANAGEMENT PLAN (SWMP), THE SOILS AND GEOTECHNICAL REPORT, AND THE APPROPRIATE DESIGN AND CONSTRUCTION STANDARDS AND SPECIFICATIONS AT THE JOB SITE AT ALL TIMES, INCLUDING THE FOLLOWING:
 - EL PASO COUNTY ENGINEERING CRITERIA MANUAL (ECM)
 - CITY OF COLORADO SPRINGS/EL PASO COUNTY DRAINAGE CRITERIA MANUAL, VOLUMES 1 AND 2
 - COLORADO DEPARTMENT OF TRANSPORTATION (CDOT) STANDARD SPECIFICATIONS FOR ROAD AND BRIDGE CONSTRUCTION
 - CDOT M & S STANDARDS
- NOTWITHSTANDING ANYTHING DEPICTED IN THESE PLANS IN WORDS OR GRAPHIC REPRESENTATION, ALL DESIGN AND CONSTRUCTION RELATED TO ROADS, STORM DRAINAGE AND EROSION CONTROL SHALL CONFORM TO THE STANDARDS AND REQUIREMENTS OF THE MOST RECENT VERSION OF THE RELEVANT ADOPTED EL PASO COUNTY STANDARDS, INCLUDING THE LAND DEVELOPMENT CODE, THE ENGINEERING CRITERIA MANUAL, THE DRAINAGE CRITERIA MANUAL, AND THE DRAINAGE CRITERIA MANUAL VOLUME 2. ANY DEVIATIONS FROM REGULATIONS AND STANDARDS MUST BE REQUESTED, AND APPROVED, IN WRITING. ANY MODIFICATIONS NECESSARY TO MEET CRITERIA AFTER-THE-FACT WILL BE ENTIRELY THE DEVELOPER'S RESPONSIBILITY TO RECTIFY.
- IT IS THE DESIGN ENGINEER'S RESPONSIBILITY TO ACCURATELY SHOW EXISTING CONDITIONS, BOTH ONSITE AND OFFSITE, ON THE CONSTRUCTION PLANS. ANY MODIFICATIONS NECESSARY DUE TO CONFLICTS, OMISSIONS, OR CHANGED CONDITIONS WILL BE ENTIRELY THE DEVELOPER'S RESPONSIBILITY TO RECTIFY.
- CONTRACTOR SHALL SCHEDULE A PRE-CONSTRUCTION MEETING WITH EL PASO COUNTY PLANNING AND COMMUNITY DEVELOPMENT (PCD) – INSPECTIONS, PRIOR TO STARTING CONSTRUCTION.
- IT IS THE CONTRACTOR'S RESPONSIBILITY TO UNDERSTAND THE REQUIREMENTS OF ALL JURISDICTIONAL AGENCIES AND TO OBTAIN ALL REQUIRED PERMITS, INCLUDING BUT NOT LIMITED TO EL PASO COUNTY EROSION AND STORMWATER QUALITY CONTROL PERMIT (ESQCP), REGIONAL BUILDING FLOODPLAIN DEVELOPMENT PERMIT, U.S. ARMY CORPS OF ENGINEERS-ISSUED 401 AND/OR 404 PERMITS, AND COUNTY AND STATE FUGITIVE DUST PERMITS.
- CONTRACTOR SHALL NOT DEVIATE FROM THE PLANS WITHOUT FIRST OBTAINING WRITTEN APPROVAL FROM THE DESIGN ENGINEER AND DSD. CONTRACTOR SHALL NOTIFY THE DESIGN ENGINEER IMMEDIATELY UPON DISCOVERY OF ANY ERRORS OR INCONSISTENCIES.
- ALL STORM DRAIN PIPE SHALL BE CLASS III RCP UNLESS OTHERWISE NOTED AND APPROVED BY PCD.
- CONTRACTOR SHALL COORDINATE GEOTECHNICAL TESTING PER ECM STANDARDS. PAVEMENT DESIGN SHALL BE APPROVED BY EL PASO COUNTY PCD PRIOR TO PLACEMENT OF CURB AND GUTTER AND PAVEMENT.
- ALL CONSTRUCTION TRAFFIC MUST ENTER/EXIT THE SITE AT APPROVED CONSTRUCTION ACCESS POINTS.
- SIGHT VISIBILITY TRIANGLES AS IDENTIFIED IN THE PLANS SHALL BE PROVIDED AT ALL INTERSECTIONS. OBSTRUCTIONS GREATER THAN 18 INCHES ABOVE FLOWLINE ARE NOT ALLOWED WITHIN SIGHT TRIANGLES.
- SIGNING AND STRIPING SHALL COMPLY WITH EL PASO COUNTY PUBLIC WORK DEPARTMENT AND MUTCD CRITERIA.
- CONTRACTOR SHALL OBTAIN ANY PERMITS REQUIRED BY EL PASO COUNTY PWD, INCLUDING WORK WITHIN THE RIGHT-OF-WAY AND SPECIAL TRANSPORT PERMITS.
- THE LIMITS OF CONSTRUCTION SHALL REMAIN WITHIN THE PROPERTY LINE UNLESS OTHERWISE NOTED. THE OWNER/DEVELOPER SHALL OBTAIN WRITTEN PERMISSION AND EASEMENTS, WHERE REQUIRED, FROM ADJOINING PROPERTY OWNER(S) PRIOR TO ANY OFF-SITE DISTURBANCE, GRADING, OR CONSTRUCTION.
- EL PASO COUNTY DOES NOT OWN AND IS NOT RESPONSIBLE FOR THE UNDERDRAINS OR GROUNDWATER DISCHARGE SYSTEMS SHOWN ON THESE PLANS AND ASSUMES NO LIABILITY FOR WATER RIGHTS ADMINISTRATION BY APPROVING THESE PLANS. MAINTENANCE AND WATER RIGHTS ARE THE RESPONSIBILITY OF THE DEVELOPER AND BULL HILL METROPOLITAN DISTRICT.

GEOTECHNICAL REPORT NOTE

- ALL GRADING SHALL CONFORM TO THE GEOTECHICAL RECOMMENDATIONS PREPARED BY RMG, " SOILS AND GEOLOGY STUDY, ROLLING MEADOWS/BULL HILL", DATED JANUARY 30, 2024, REV. MARCH 14, 2025. JOB NO. 187746.

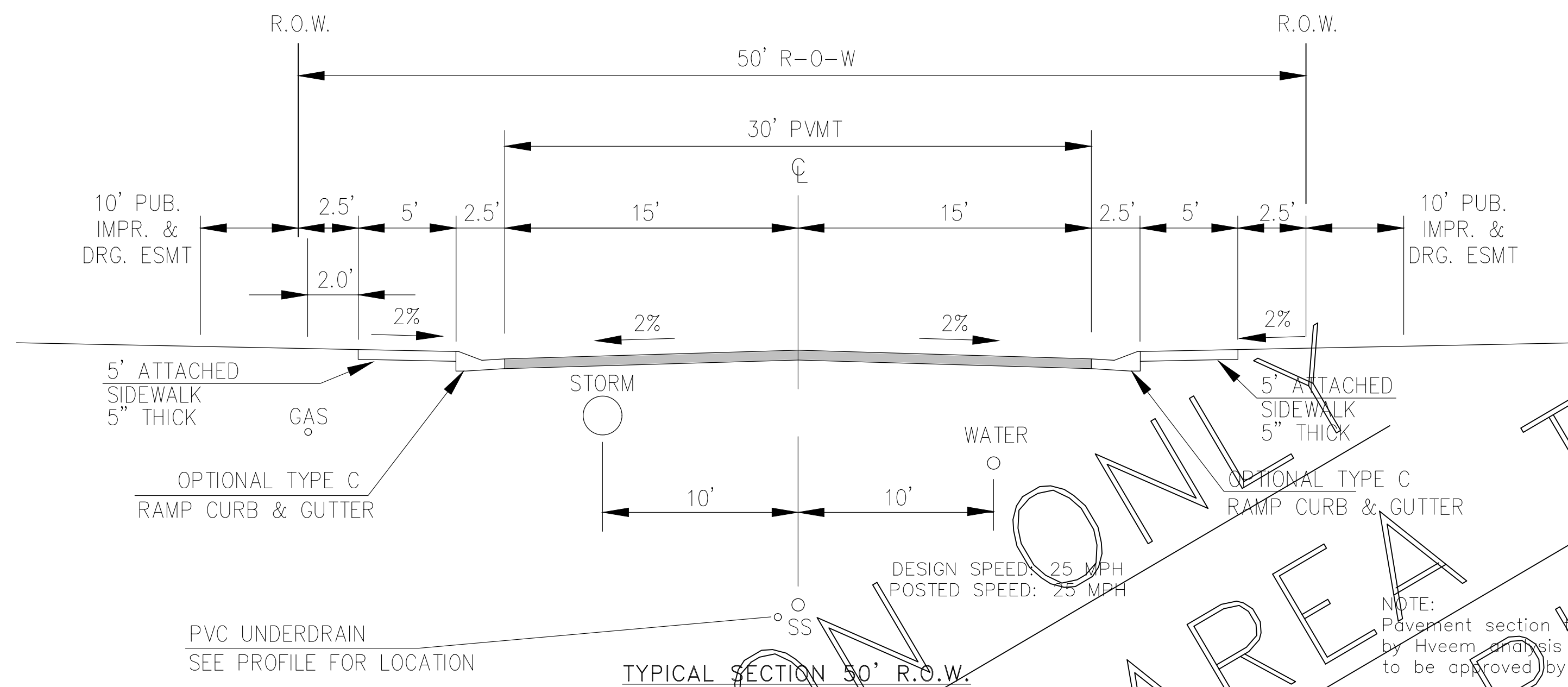
ADDITIONAL SWMP PLAN CONTRACTOR NOTES.

- CONTRACTOR MUST ADD THEIR CONTACT INFORMATION TO THE SWMP PLANS PRIOR TO CONSTRUCTION
- IF THE GRADING IS TO BE PHASED THE CONTRACTOR MUST PROVIDE PHASING MAPS FOR INSERTION INTO THE SWMP PLANS.
- THE CONTRACTOR MUST PROVIDE THE CLIENT THE LOCATION OF ANY POTENTIAL SOURCES OF POLLUTIONS SUCH AS FUELING AREAS, ETC TO BE INSERTED INTO THE SWMP PLANS.
- THE ON-SITE SWMP PLAN SHALL BE LOCATED AT THE SE CORNER OF ROLLING MEADOW PARKWAY AND BRADLEY ROAD UNLESS OTHERWISE DOCUMENTED.
- EXISTING VEGETATION WITHIN THE LIMITS OF CONSTRUCTION CONSISTS OF NATIVE GRASSES AND WEEDS. GROUND COVER IS ESTIMATED AT 70% DENSITY. EXISTING VEGETATION WILL BE VERIFIED VISUALLY IN THE FIELD PRIOR TO STARTING WORK.

STANDARD NOTES FOR EL PASO COUNTY GRADING AND EROSION CONTROL PLANS

- NOTWITHSTANDING ANYTHING DEPICTED IN THESE PLANS IN WORDS OR GRAPHIC REPRESENTATION, ALL DESIGN AND CONSTRUCTION RELATED TO ROADS, STORM DRAINAGE, AND EROSION CONTROL SHALL CONFORM TO THE STANDARDS AND REQUIREMENTS OF THE MOST RECENT VERSION OF THE RELEVANT ADOPTED EL PASO COUNTY (EPC) STANDARDS, INCLUDING THE LAND DEVELOPMENT CODE (LDC), THE ENGINEERING CRITERIA MANUAL (ECM), THE DRAINAGE CRITERIA MANUAL (DCM) VOLUME 1 AND 2. ANY DEVIATIONS FROM REGULATIONS AND STANDARDS MUST BE REQUESTED, AND APPROVED, IN WRITING.
- A PRECONSTRUCTION MEETING BETWEEN THE PERMIT HOLDER(S) AND EL PASO COUNTY SHALL BE HELD PRIOR TO ANY CONSTRUCTION ACTIVITIES. IT IS THE RESPONSIBILITY OF THE PERMIT HOLDER(S) TO COORDINATE THE MEETING TIME AND PLACE WITH COUNTY STAFF. NO LAND DISTURBANCE OR CONSTRUCTION ACTIVITIES BEYOND THE INSTALLATION OF THE INITIAL CONSTRUCTION CONTROL MEASURES (CCMS), AS INDICATED ON THE APPROVED GEC PLAN OR CDS WITH GEC PLANS, MAY OCCUR PRIOR TO RECEIVING A NOTICE TO PROCEED (NTP) ISSUED BY THE ECM ADMINISTRATOR. FAILURE TO OBTAIN A NOTICE TO PROCEED PRIOR TO BEGINNING LAND DISTURBING ACTIVITIES MAY RESULT IN AN IMMEDIATE STOP WORK ORDER (SVO).
- CONSTRUCTION CONTROL MEASURES MUST BE INSTALLED PRIOR TO COMMENCEMENT OF ACTIVITIES THAT COULD CONTRIBUTE POLLUTANTS TO STORMWATER. STORMWATER RUNOFF FROM ALL DISTURBED AREAS AND SOIL STORAGE AREAS MUST UTILIZE OR FLOW TO ONE OR MORE CCM(S) TO MINIMIZE EROSION OR SEDIMENT IN THE DISCHARGE. THE CCM(S) MUST CONTAIN OR FILTER FLOWS IN ORDER TO PREVENT THE BYPASS OF FLOWS WITHOUT TREATMENT AND MUST BE APPROPRIATE FOR STORMWATER RUNOFF FROM DISTURBED AREAS AND FOR THE EXPECTED FLOW RATE, DURATION, AND FLOW CONDITIONS (E.G., SHEET OR CONCENTRATED FLOW).
- ALL CCMs SHALL BE MAINTAINED AND REMAIN IN EFFECTIVE OPERATING CONDITION UNTIL FINAL STABILIZATION IS ACHIEVED. THE QUALIFIED STORMWATER MANAGER (OSM) SHALL ASSESS THE ADEQUACY OF CCMs AT THE SITE AND IDENTIFY IF CHANGES TO THOSE CCMs ARE NEEDED TO ENSURE THE CONTINUED EFFECTIVE PERFORMANCE OF THE CCMs.
- PRIOR TO CONSTRUCTION THE PERMIT HOLDER(S) SHALL VERIFY THE LOCATION OF EXISTING UTILITIES.
- MANAGEMENT OF THE STORMWATER MANAGEMENT PLAN (SWMP) DURING CONSTRUCTION IS THE RESPONSIBILITY OF THE DESIGNATED OSM. THE SWMP SHALL BE LOCATED ON-SITE OR DIGITALLY ACCESSIBLE AT ALL TIMES DURING CONSTRUCTION ACTIVITIES AND MUST BE IMPLEMENTED AS WRITTEN FROM THE START OF CONSTRUCTION ACTIVITY UNTIL FINAL STABILIZATION IS ACHIEVED. THE OSM SHALL AMEND THE SWMP WHEN THERE IS A CHANGE IN DESIGN, CONSTRUCTION, OPERATION, OR MAINTENANCE OF THE SITE WHICH WOULD REQUIRE THE IMPLEMENTATION OF NEW OR REVISED CCMs OR IF THE SWMP PROVES TO BE INEFFECTIVE IN CONTROLLING POLLUTANTS IN STORMWATER RUNOFF ASSOCIATED WITH CONSTRUCTION ACTIVITY OR WHEN CCMs ARE NO LONGER NECESSARY AND ARE REMOVED. THE OSM SHALL MAINTAIN A RECORD OF AMENDMENTS MADE TO THE SWMP THAT INCLUDES THE DATE AND IDENTIFICATION OF THE CHANGES.
- EARTH DISTURBANCES SHALL BE CONDUCTED IN SUCH A MANNER SO AS TO EFFECTIVELY MINIMIZE ACCELERATED SOIL EROSION AND RESULTING SEDIMENTATION. ALL DISTURBANCES SHALL BE DESIGNED, CONSTRUCTED, AND COMPLETED SO THAT THE EXPOSED AREA OF ANY DISTURBED LAND SHALL BE LIMITED TO THE SHORTEST PRACTICAL PERIOD OF TIME. PRE-EXISTING VEGETATION SHALL BE PROTECTED AND MAINTAINED WITHIN 50 HORIZONTAL FEET OF A RECEIVING WATER UNLESS SHOWN TO BE INFEASIBLE AND SPECIFICALLY REQUESTED AND APPROVED. IN ADDITION TO MAINTAINING 50 HORIZONTAL FEET OF PRE-EXISTING VEGETATION UPGRADIENT OF A RECEIVING WATER (UNLESS INFEASIBLE AND APPROVED), THE PERMIT HOLDER(S) MUST INSTALL CCMs UPGRADIENT OF THE VEGETATIVE BUFFER.
- TEMPORARY STABILIZATION MEASURES SHALL BE IMPLEMENTED ON DISTURBED AREAS AND STOCKPILES WHERE GROUND DISTURBING CONSTRUCTION ACTIVITY HAS PERMANENTLY CEASED OR TEMPORARILY CEASED FOR LONGER THAN 14 DAYS.
- EROSION CONTROL BLANKET (ECB) OR OTHER APPROVED CONTROL MEASURE(S) SHALL BE USED ON SLOPES STEEPER THAN 3:1.
- VEHICLE TRACKING CONTROLS (VTC) MUST BE IMPLEMENTED TO MINIMIZE VEHICLE TRACKING OF SEDIMENT FROM DISTURBED AREAS. VTCs MUST INCLUDE A STRUCTURE CONTROL MEASURE (E.G., TRACKING PAD) AND MAY INCLUDE A NON-STRUCTURAL CONTROL MEASURE (E.G., SWEEPING). MATERIAL TRACKED OFF-SITE SHALL BE CLEANED UP AND PROPERLY DISPOSED OF IMMEDIATELY.
- ANY TEMPORARY OR PERMANENT CONTROL MEASURE DESIGNED AND CONSTRUCTED FOR THE CONVEYANCE OF STORMWATER AROUND, THROUGH, OR FROM THE EARTH DISTURBANCE AREA SHALL BE A STABILIZED CONVEYANCE DESIGNED TO MINIMIZE EROSION AND THE DISCHARGE OF SEDIMENT OFF-SITE.
- NO PERSON SHALL CAUSE THE IMPEDIMENT OF STORMWATER FLOW IN THE CURB AND GUTTER, PERMANENT CONTROL MEASURES (PCMS), OR DITCHES EXCEPT WITH APPROVED SEDIMENT CONTROL MEASURES.
- ALL PCMS SHALL BE INSTALLED AS DESIGNED IN THE APPROVED PLANS. ANY PROPOSED CHANGES THAT AFFECT THE DESIGN OR FUNCTION OF PCMS MUST BE APPROVED BY THE ECM ADMINISTRATOR PRIOR TO IMPLEMENTATION.
- SOIL COMPACTION MUST BE MINIMIZED IN AREAS WHERE INFILTRATION PCMS WILL BE INSTALLED OR IN AREAS WHERE FINAL STABILIZATION WILL BE ACHIEVED BY VEGETATIVE COVER. AREAS DESIGNATED FOR INFILTRATION PCMS SHALL ALSO BE PROTECTED FROM SEDIMENTATION DURING CONSTRUCTION UNTIL FINAL STABILIZATION IS ACHIEVED. IF SOIL COMPACTION DOES OCCUR IN AREAS WHERE FINAL STABILIZATION WILL BE ACHIEVED BY VEGETATIVE COVER OR IN AREAS WHERE INFILTRATION PCMS WILL BE INSTALLED, DECOMPACTION OF THE SOIL MUST BE COMPLETED PRIOR TO PLANTING OR INSTALLATION OF THE PCM(S). AN INFILTRATION TEST MUST BE CONDUCTED FOR ALL INFILTRATION PCMS AND THE INFILTRATION TEST RESULTS SUBMITTED TO EL PASO COUNTY PRIOR TO PRELIMINARY ACCEPTANCE (PA).
- FINAL STABILIZATION MUST BE IMPLEMENTED AT ALL APPLICABLE CONSTRUCTION SITES. FINAL STABILIZATION IS ACHIEVED WHEN ALL GROUND DISTURBING ACTIVITIES AT THE SITE HAVE BEEN COMPLETED AND PERMANENT STABILIZATION METHODS ARE COMPLETE. WHEN USING VEGETATIVE COVER AS A PERMANENT STABILIZATION METHOD, THE VEGETATION SHALL BE EVENLY DISTRIBUTED PERENNIAL VEGETATION AND OF THE VARIETY AND SPECIES FOUND IN THE COUNTY-APPROVED SEED MIXES OR IN THE APPROVED GEC PLAN. VEGETATION COVERAGE SHALL BE, AT A MINIMUM, EQUAL TO 70% OF WHAT WOULD HAVE BEEN PROVIDED BY NATIVE VEGETATION IN A LOCAL, UNDISTURBED AREA OR ADEQUATE REFERENCE SITE. ALL TEMPORARY CCMs SHALL BE REMOVED UPON FINAL STABILIZATION AND PRIOR TO STORMWATER PERMIT TERMINATION.
- STORMWATER DISCHARGES FROM CONSTRUCTION SITES SHALL NOT CAUSE OR THREATEN TO CAUSE POLLUTION, CONTAMINATION, OR DEGRADATION OF STATE WATERS. ALL WORK AND EARTH DISTURBANCE SHALL BE DONE IN A MANNER THAT MINIMIZES POLLUTION OF ANY ON-SITE OR OFF-SITE WATERS, INCLUDING WETLANDS.
- CONCRETE WASH WATER SHALL BE CONTAINED AND DISPOSED OF IN ACCORDANCE WITH THE SWMP. NO WASH WATER SHALL BE DISCHARGED TO OR ALLOWED TO BE DISCHARGED OFFSITE OR TO ENTER STATE WATERS, INCLUDING ANY SURFACE OR SUBSURFACE STORM DRAINAGE SYSTEM OR CONTROL MEASURES. CONCRETE WASHOUT AREAS SHALL NOT BE LOCATED IN AN AREA WHERE SHALLOW GROUNDWATER MAY BE PRESENT, OR WITHIN 50 FEET OF A SURFACE WATER BODY, CREEK, OR STREAM.
- DURING CONSTRUCTION DEWATERING OPERATIONS, UNCONTAMINATED GROUNDWATER MAY BE DISCHARGED ON-SITE IN ACCORDANCE WITH THE COLORADO DEPARTMENT OF PUBLIC HEALTH AND ENVIRONMENT'S (CDPHE) LOW RISK DISCHARGE GUIDANCE POLICY FOR DISCHARGES OF UNCONTAMINATED GROUNDWATER TO LAND. IF CONSTRUCTION DEWATERING OPERATIONS ARE UNABLE TO MEET ALL CRITERIA, CONDITIONS, AND CONTROL MEASURE REQUIREMENTS OF THE LOW RISK DISCHARGE GUIDANCE POLICY, A COLORADO DISCHARGE PERMIT SYSTEM (CDPS) GENERAL PERMIT COG080000 WILL BE REQUIRED.
- CONTRACTOR SHALL BE RESPONSIBLE FOR THE REMOVAL OF ALL WASTE FROM THE CONSTRUCTION SITE FOR DISPOSAL IN ACCORDANCE WITH LOCAL AND STATE REGULATORY REQUIREMENTS. NO CONSTRUCTION DEBRIS, TREE SLASH, BUILDING MATERIAL WASTES, OR UNUSED BUILDING MATERIALS SHALL BE BURIED, DUMPED, OR DISCHARGED AT THE SITE.
- THE PERMIT HOLDER(S) SHALL BE RESPONSIBLE FOR THE REMOVAL OF ALL CONSTRUCTION DEBRIS, DIRT, TRASH, ROCK, SEDIMENT, SOIL, AND SAND THAT MAY ACCUMULATE IN ROADS, STORM DRAINS AND OTHER DRAINAGE CONVEYANCE SYSTEMS AND STORMWATER APPURTENANCES AS A RESULT OF SITE DEVELOPMENT.
- THE QUANTITY OF MATERIALS STORED ON THE PROJECT SITE SHALL BE LIMITED, AS MUCH AS PRACTICAL, TO THAT QUANTITY REQUIRED TO PERFORM THE WORK IN AN ORDERLY SEQUENCE. ALL MATERIALS STORED ON-SITE SHALL BE STORED IN A NEAT, ORDERLY MANNER, IN THEIR ORIGINAL CONTAINERS, WITH ORIGINAL MANUFACTURER'S LABELS.
- MATERIALS SHALL NOT BE TEMPORARILY PLACED OR STORED IN THE STREET, ALLEY, OR OTHER PUBLIC WAY, UNLESS IN ACCORDANCE WITH AN APPROVED TRAFFIC CONTROL PLAN. APPROPRIATE CMS SHALL BE UTILIZED BASED ON SPECIFIC CONDITIONS AND CIRCUMSTANCES.
- BULK STORAGE (I.E., INDIVIDUAL CONTAINERS OF 55 GALLONS OR GREATER) OF ALLOWED PETROLEUM PRODUCTS OR OTHER ALLOWED LIQUID SHALL REQUIRE ADEQUATE SECONDARY CONTAINMENT, OR EQUIVALENT PROTECTION, TO CONTAIN ALL SPILLS ON-SITE AND TO PREVENT ANY SPILLED MATERIALS FROM ENTERING STATE WATERS, ANY SURFACE OR SUBSURFACE STORM DRAINAGE SYSTEM, OR OTHER FACILITIES.
- NO CHEMICAL(S) HAVING THE POTENTIAL TO BE RELEASED IN STORMWATER ARE TO BE STORED OR USED ON-SITE UNLESS PERMISSION FOR THE USE OF SUCH CHEMICAL(S) IS GRANTED IN WRITING BY THE ECM ADMINISTRATOR. IN GRANTING APPROVAL FOR THE USE OF SUCH CHEMICAL(S), SPECIAL CONDITIONS AND MONITORING MAY BE REQUIRED.
- ON AREAS OF EXPOSED SOIL, MINIMIZE DUST THROUGH THE APPROPRIATE APPLICATION OF WATER OR OTHER DUST SUPPRESSION TECHNIQUES. WATER APPLICATION MUST BE CONDUCTED IN A MANNER TO PREVENT DISCHARGE OFFSITE UNLESS AUTHORIZED BY A CDPS OR NATIONAL POLLUTANT DISCHARGE ELIMINATION SYSTEM (NPDES) PERMIT.
- ALL CONSTRUCTION TRAFFIC MUST ENTER/EXIT THE SITE ONLY AT APPROVED CONSTRUCTION ACCESS POINTS.
- FOR SITES WHERE A SOILS REPORT IS REQUIRED, THE APPROVED SOILS REPORT FOR THIS SITE SHALL BE CONSIDERED A PART OF THESE PLANS.
- PERMIT HOLDER(S) AND THEIR AGENTS SHALL COMPLY WITH THE "COLORADO WATER QUALITY CONTROL ACT" (TITLE 25, ARTICLE 8, CRS), AND THE "CLEAN WATER ACT" (33 USC 1344), IN ADDITION TO THE REQUIREMENTS OF THE LAND DEVELOPMENT CODE, DRAINAGE CRITERIA MANUAL VOLUME 2, AND ENGINEERING CRITERIA MANUAL. ALL APPLICABLE LOCAL, STATE, AND FEDERAL PERMITS MUST BE OBTAINED PRIOR TO CONSTRUCTION. IN THE EVENT OF CONFLICTS BETWEEN THESE REQUIREMENTS AND OTHER LAWS, RULES, OR REGULATIONS OF OTHER FEDERAL, STATE, LOCAL, OR COUNTY AGENCIES, THE MOST RESTRICTIVE LAWS, RULES, OR REGULATIONS SHALL APPLY.
- AT LEAST TEN (10) DAYS PRIOR TO THE ANTICIPATED START OF CONSTRUCTION, FOR PROJECTS THAT WILL DISTURB ONE (1) ACRE OR MORE OR LESS THAN 1 ACRE AND PART OF A LARGER COMMON PLAN OF DEVELOPMENT OR SALE THAT WOULD DISTURB 1 OR MORE ACRES, THE PERMIT HOLDER(S) SHALL SUBMIT A PERMIT APPLICATION FOR STORMWATER DISCHARGE (COR400000 PERMIT) TO THE CDPHE WATER QUALITY DIVISION. THE APPLICATION CONTAINS CERTIFICATION OF COMPLETION OF A SWMP, OF WHICH THIS GEC PLAN MAY BE A PART. FOR INFORMATION OR APPLICATION MATERIALS CONTACT:
COLORADO DEPARTMENT OF PUBLIC HEALTH AND ENVIRONMENT
WATER QUALITY CONTROL DIVISION
WOOD - PERMITS, 4300 CHERRY CREEK DRIVE SOUTH, DENVER, CO 80246-1530
ATTN: PERMITS UNIT

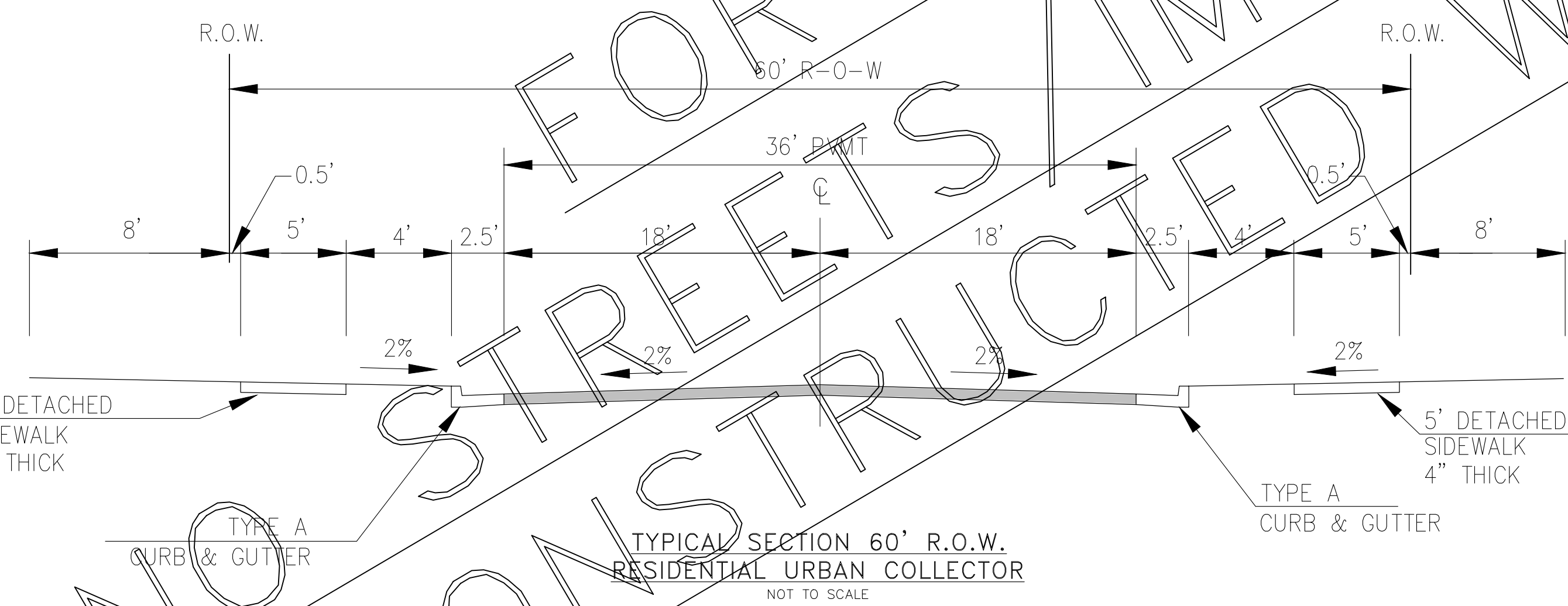
CORE ENGINEERING GROUP	15004 1ST AVENUE S. BURNSVILLE, MN 55306 TEL: 612-895-1100 CONTACT: RICHARD L. SCHINDLER, P.E. EMAIL: Rich@cegi.com
DATE: ###/###/###	
DESCRIPTION: #####	
NO. ###/###	
DRAWN: BRN; DESIGNED: RLS; CHECKED: RLS;	
--- NOTES ---	
PRELIMINARY	
DATE: APR., 2026	
PROJECT NO. 100.302	
SHEET NUMBER C1.2	
TOTAL SHEETS: 25	



TYPICAL SECTION 50' R.O.W.
RESIDENTIAL URBAN LOCAL
NOT TO SCALE

CALF CREEK DR, ECHOING GRASS WAY, EMERALD GLEN LN, HOOFF HOLLOW PL,
SKY BLUE WY, FOX DEN WY, PRAIRIE PINE TR, BUFFALO HILLS WY, SUNLIT MEADOWS TR,
MOSSY CREEK TR

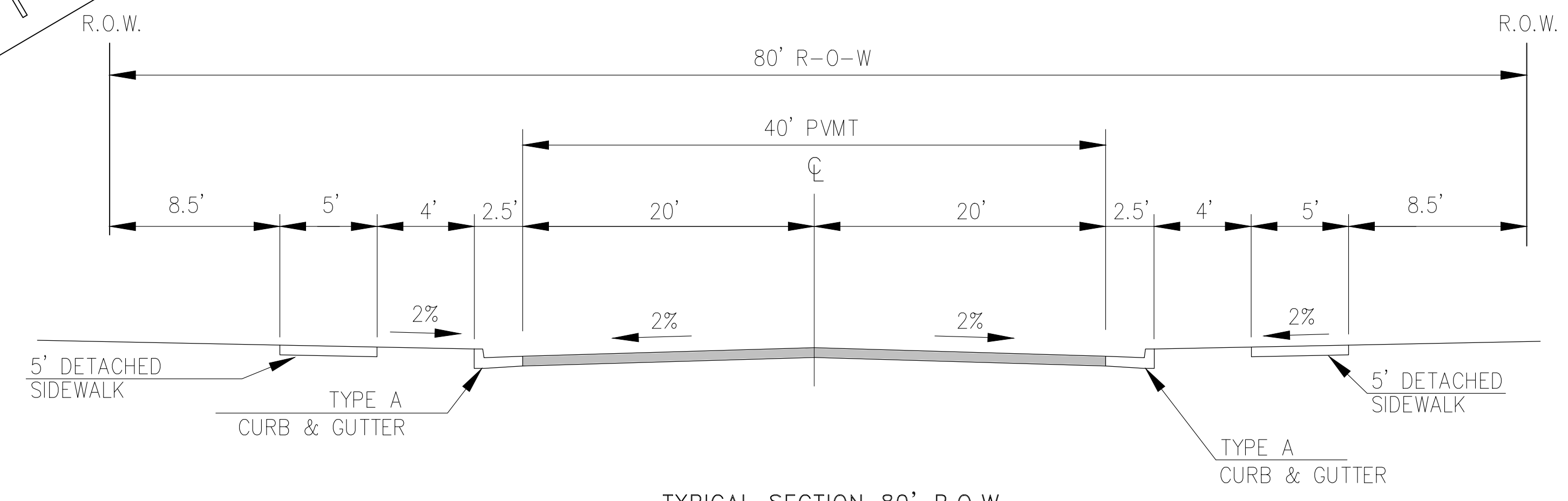
NOTE:
Pavement section to be determined
by Hveem analysis and design. Design
to be approved by El Paso County PCD Engineering



TYPICAL SECTION 60' R.O.W.
RESIDENTIAL URBAN COLLECTOR
NOT TO SCALE

PRAIRIE SONG DR, MERIDIAN ROAD

DESIGN SPEED: 40 MPH
POSTED SPEED: 35 MPH



TYPICAL SECTION 80' R.O.W.
RESIDENTIAL URBAN COLLECTOR
NOT TO SCALE

ROLLING MEADOW PARKWAY

DESIGN SPEED: 40 MPH
POSTED SPEED: 35 MPH

NOTE:
Pavement section to be determined
by Hveem analysis and design. Design
to be approved by PCD Engineering

NO INFORMATION ONLY AREA TO BE CONSTRUCTED WITH THESE PLANS

CORE
ENGINEERING GROUP
15004 JST AVENUE S.E.
BOULDER, CO 80506
PH: 719.570.1100
CONTACT: RICHARD L. SCHINDLER, P.E.
EMAIL: Rich@cegi.com

DATE: ###/###/###
DESCRIPTION: ###/###/###
NO. ###/###/###
PROJECT: ANTELOPE RIDGE AT BULL HILL PHASE 1
212 N. WAHSATCH AVE, SUITE 301
COLORADO SPRINGS, COLORADO 80903
FONTAINE BLVD/MARKSHEFFEL RD
COLORADO SPRINGS, CO
PREPARED FOR: EAGLE DEVELOPMENT
CONTACT: JEFF MARK

DRAWN: BRN;
DESIGNED: RLS;
CHECKED: RLS;

TYPICAL SECTIONS

PRELIMINARY

DATE:
APR., 2026

PROJECT NO.
100.302

SHEET NUMBER
C1.3

TOTAL SHEETS: 25

LEGEND

- 5721----- EXISTING/PROPOSED CURB/GUTTER
- 5720----- EXISTING MINOR CONTOUR
- 5720----- EXISTING MAJOR CONTOUR
- 5720----- PROPOSED CONTOUR
- EXISTING STORM SEWER
- PROPOSED STORM SEWER, INLETS, MANHOLES
- (SF)----- PERIMETER EROSION CONTROL
SILT FENCE, EROSION LOG, OR EARTH BERM
- SUBDIVISION BOUNDARY
- CONSTRUCTION BOUNDARY/LIMITS OF DISTURBANCE
- P/L----- PROPERTY LINE OR TRACT LINE
- ROW LINE
- X%----- STORMWATER RUNOFF DIRECTION
- X%----- SLOPE DIRECTION AND GRADE
- CUT/FILL LINE
- (VTC)----- VEHICLE TRACKING CONTROL
- COMPACTED EARTH BERM or ROUGH
CUT STREET CONTROL PLAN
or STRAW BALE CHECK DAM
- (T) (G) (WO)----- LOT TYPE
TRANSITION, GARDEN, WALK-OUT
SEE DETAIL SHEET FOR LOT GRADING TYPES
- (PS)----- PERMANENT SEEDING
- (IP)----- INLET PROTECTION
- (MU)----- MULCH
- (DS2)----- UNLINED EARTHEN BERM
BY CUT/FILL
- (SR)----- SURFACE ROUGHENING

NOTE:

1. SLOPES SHALL BE 4:1 UNLESS OTHERWISE NOTED
2. POND SLOPES SHALL BE 4:1
3. STRAW ECB SHALL BE PLACED ON ALL SIDE SLOPES AND PERMANENT SLOPES 3:1 OR STEEPER
- (TS) 4. TEMPORARY SEEDING REQUIRED ON DISTURBED AREAS AND STOCKPILES WHICH ARE NOT AT FINAL GRADE BUT WILL REMAIN DORMANT FOR LONGER THAN 30 DAYS SHALL ALSO BE MULCHED AND SEEDED WITHIN 21 DAYS AFTER INTERIM GRADING.
5. THERE ARE NO ASPHALT BATCH PLANTS OR CONSTRUCTION OFFICE TRAILERS PLANNED FOR THIS SITE OR CONTRACTOR SHALL OBTAIN PERMIT IF DESIRED.
6. CONTRACTOR TO DETERMINE STOCKPILE AREAS, CONCRETE WASHOUT AREAS, AND STAGING AREAS AND SHOW THEM ON THE WORKING MAPS.
7. EXISTING VEGETATION CONSISTS OF GRASSES AND WEEDS. GROUND COVER ESTIMATED AT 65% DENSITY AND WILL BE FIELD VERIFIED AT THE TIME OF CONSTRUCTION
8. THE STAGING AREA WILL BE DETERMINED IN THE FIELD PRIOR TO CONSTRUCTION AND WILL BE DEPICTED ON THE SWMP PLAN AT THAT TIME
9. THE SWMP MANUAL IS LOCATED AT THE SW CORNER OF BRADLEY ROAD AND ROLLING MEADOW PARKWAY
10. THERE ARE NO WETLANDS WITHIN THE LIMITS OF CONSTRUCTION. WORK WITHIN THE EAST TRIBUTARY OF JIMMY CAMP CREEK IS COVERED UNDER AN EXISTING CLOMR.

INITIAL BMP'S:

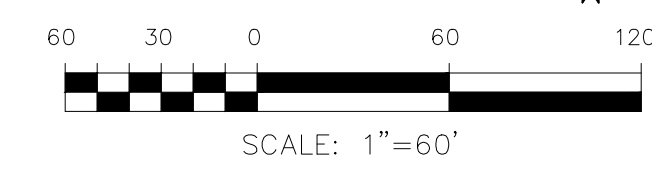
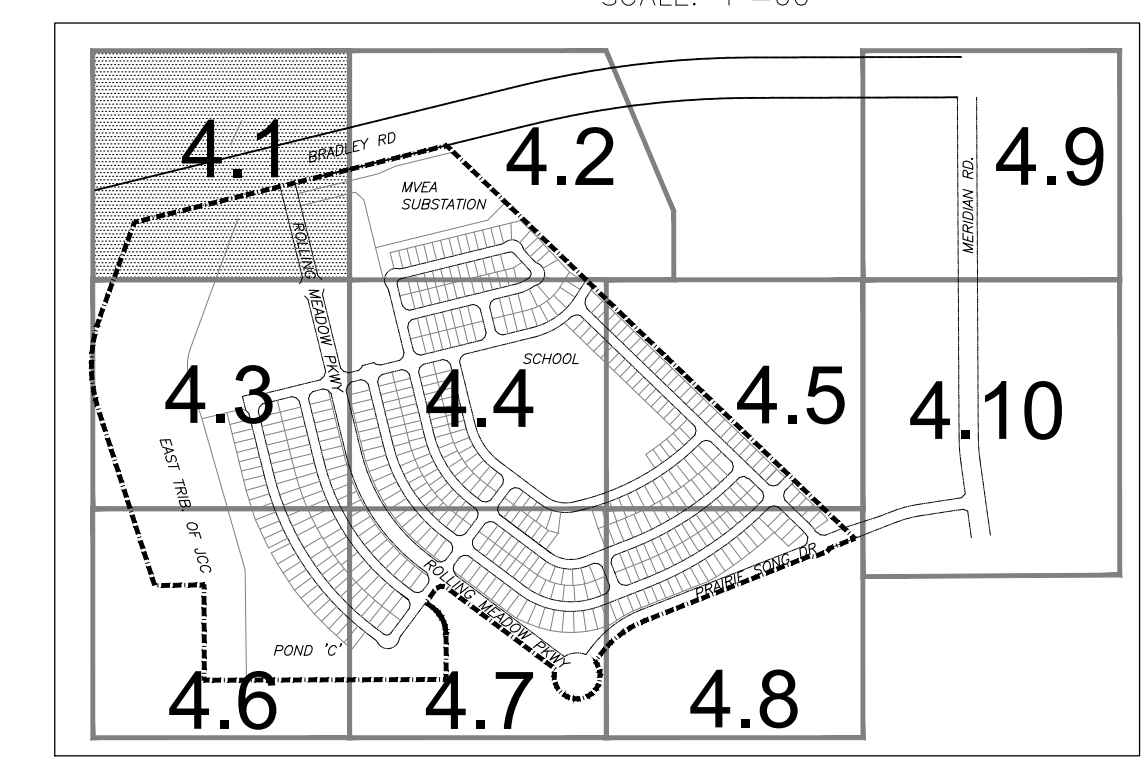
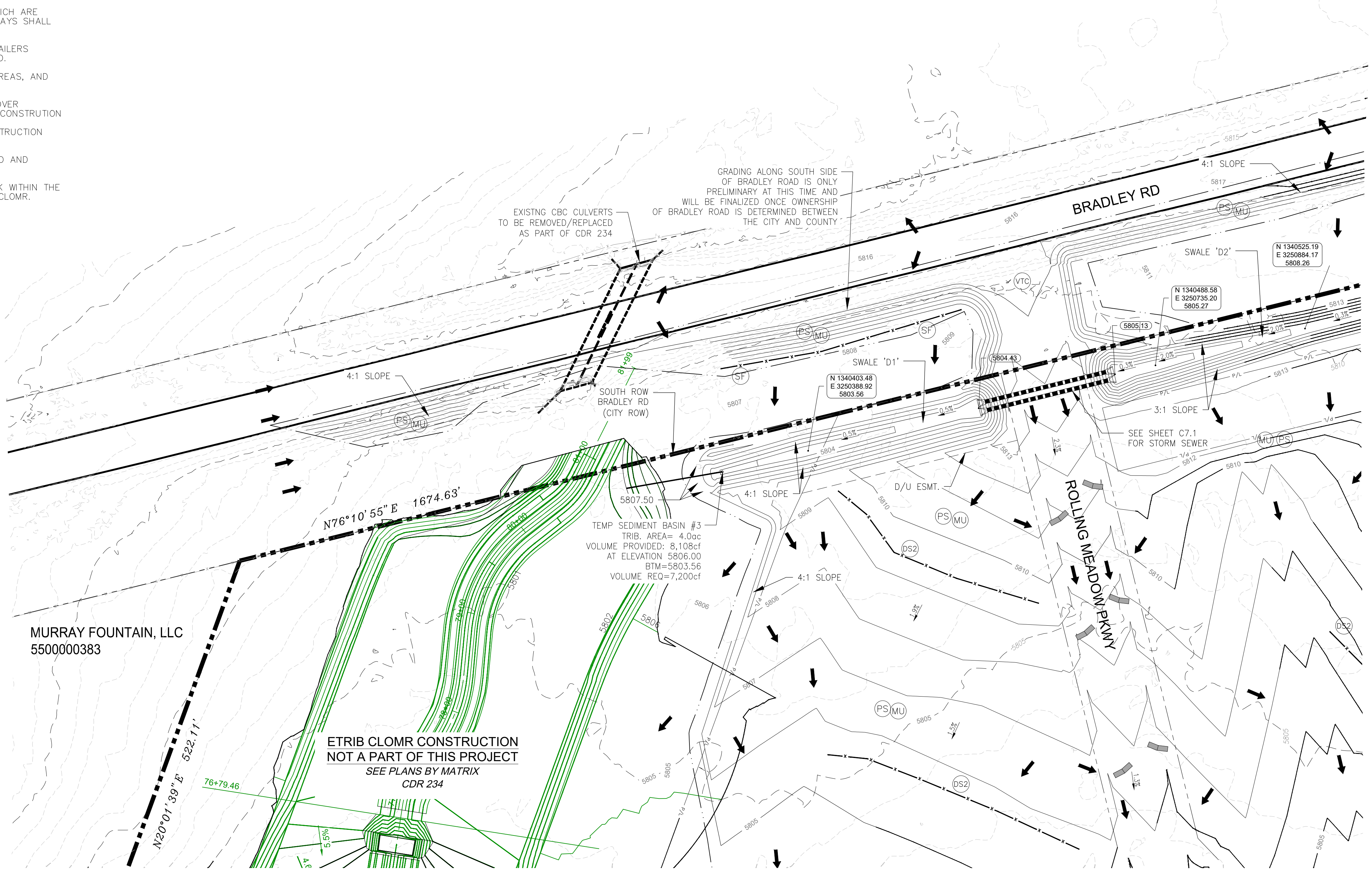
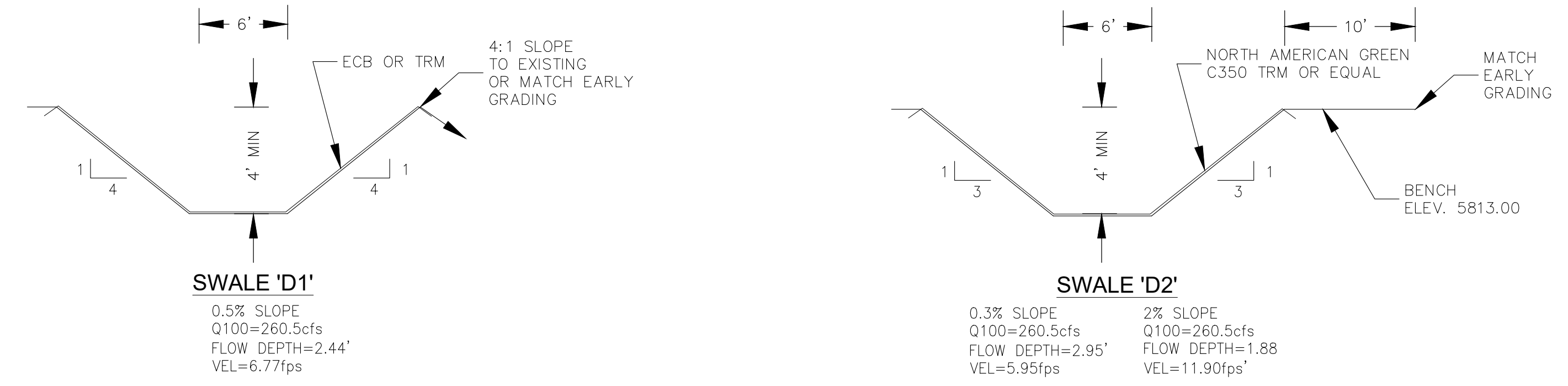
1. PERIMETER SILT FENCE
2. VEHICLE TRACKING CONTROL PADS
3. INLET PROTECTION FOR EXISTING INLETS
4. PLACEMENT OF ON-SITE SWMP MANUAL
5. TEMPORARY SEDIMENT TRAPS
6. EXCAVATE SEDIMENT BASIN (POND C), OUTLET STRUCTURE, & OUTLET PIPE. POND EXCAVATION CAN BE DONE IN CONJUNCTION WITH LIMITED ON-SITE GRADING

INTERIM BMP'S:

1. TEMPORARY SEDIMENT TRAPS AS GRADING PROGRESSES
2. TEMPORARY SEEDING/MULCHING AS NEEDED
3. STRAW BALE CHECKS AS NEEDED DURING GRADING
4. SURFACE ROUGHENING AS NEEDED
5. POND TRICKLE CHANNELS, FOREBAYS
6. STORM SEWER AND RIP RAP RUNDOWNS
7. INLET PROTECTION ON NEW STORM SEWER INLETS IF CONSTRUCTED
8. ADDITIONAL SEDIMENT BASINS AS CONSTRUCTION PROGRESSES
9. CONSTRUCT DS2 BMP'S AS SHOWN OR AS NEEDED BASED ON SITE CONDITIONS

FINAL BMP'S:

1. FINAL SEEDING AND MULCHING
2. STRAW ECB ON PERMANENT SLOPES 3:1 OR STEEPER.
3. POND TRICKLE CHANNELS, FOREBAYS, OUTLET STRUCTURE
4. STORM SEWER AS SHOWN ON EARLY GRADING PLANS



KEY MAP
NO SCALE

CORE ENGINEERING GROUP
15004 151st AVENUE, SUITE 5506
PH: 719.570.1100
CONTACT: RICHARD L. SCHINDLER, P.E.
EMAIL: Rich@ceg1.com

DATE: ###/###/###
DESCRIPTION: ###/###/###
NO: ###/###/###
DRAWN: BRN
DESIGNED: RLS
CHECKED: RLS

PREPARED FOR:
EAGLE DEVELOPMENT
212 N. WAHSATCH AVE, SUITE 301
COLORADO SPRINGS, COLORADO 80903
(719) 635-3200
CONTACT: JEFF MARK

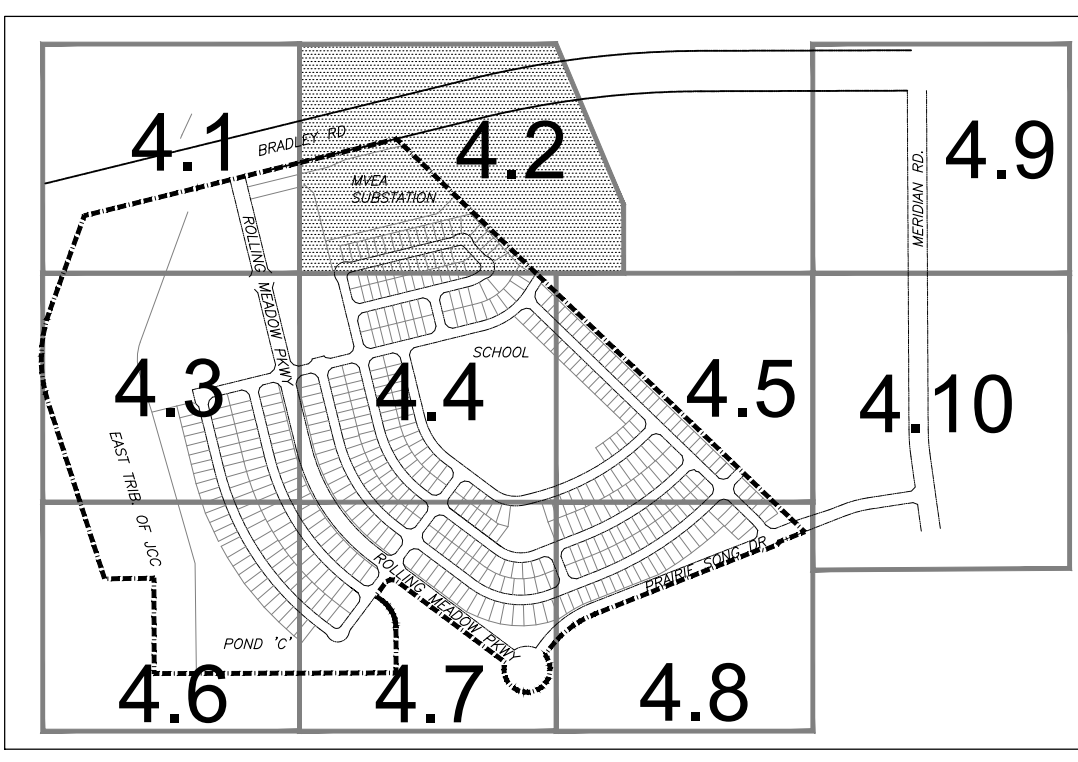
PROJECT:
ANTELOPE RIDGE AT BULL HILL PHASE 1
FONTAINE BLVD/MARKSHEFFEL RD
COLORADO SPRINGS, CO

**ANTELOPE RIDGE AT BULL HILL
OVERLOT EARLY GRADING AND
EROSION CONTROL PLAN**

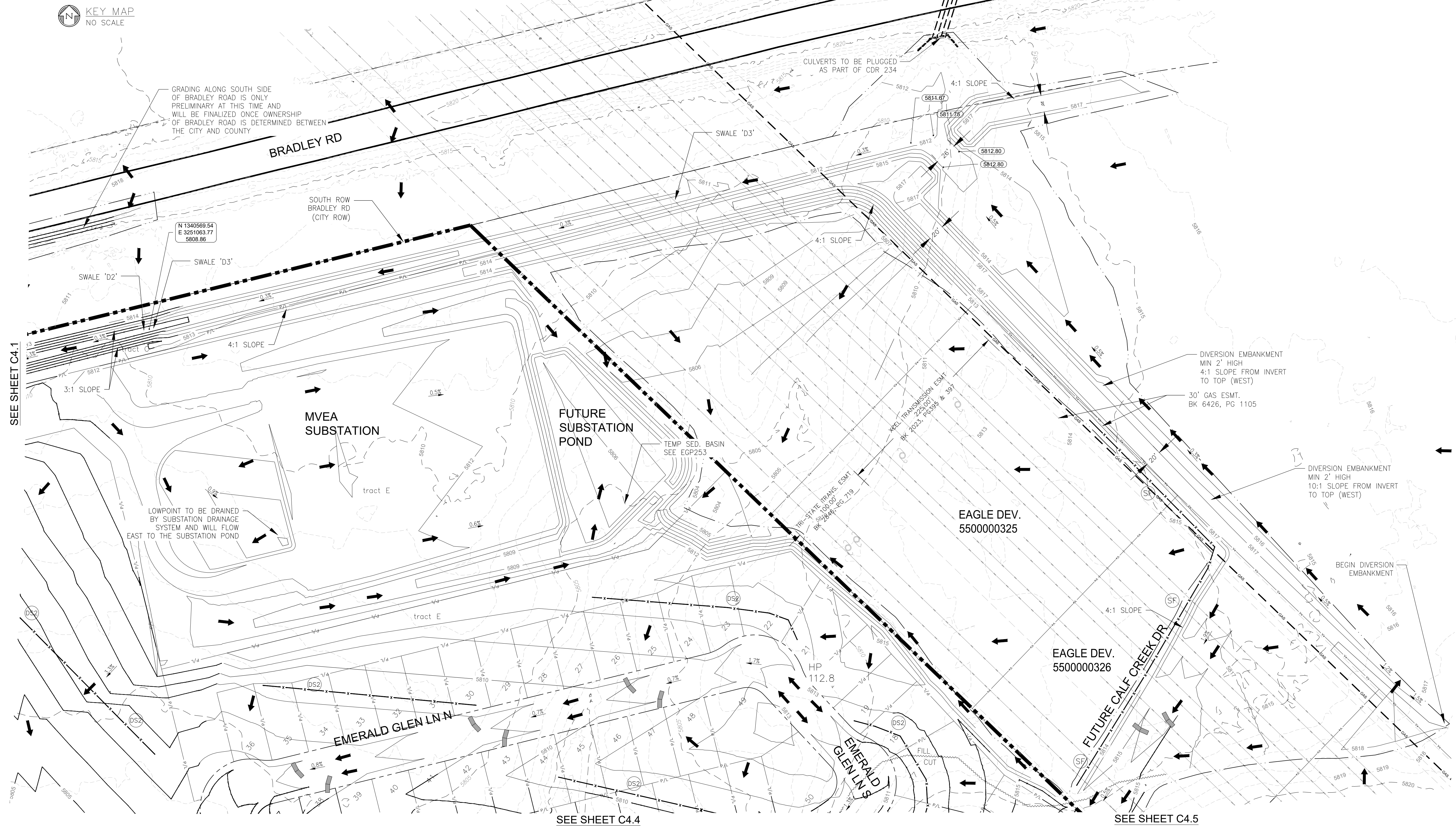
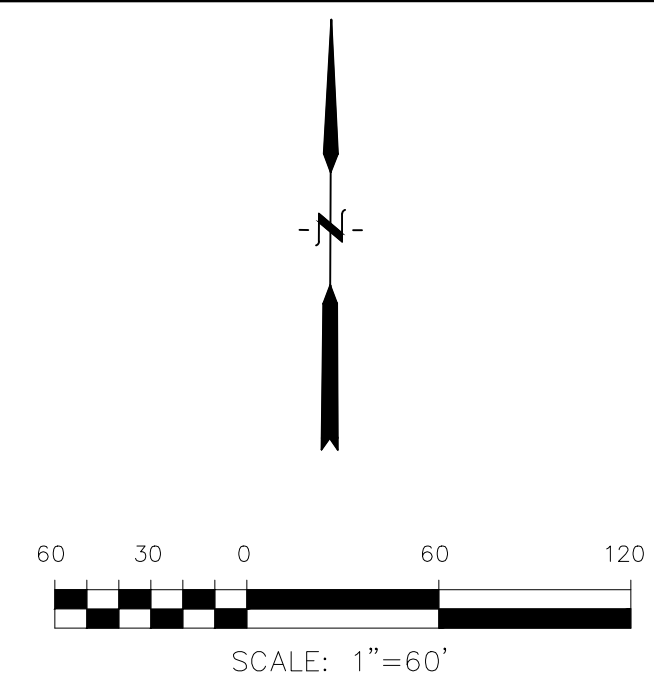
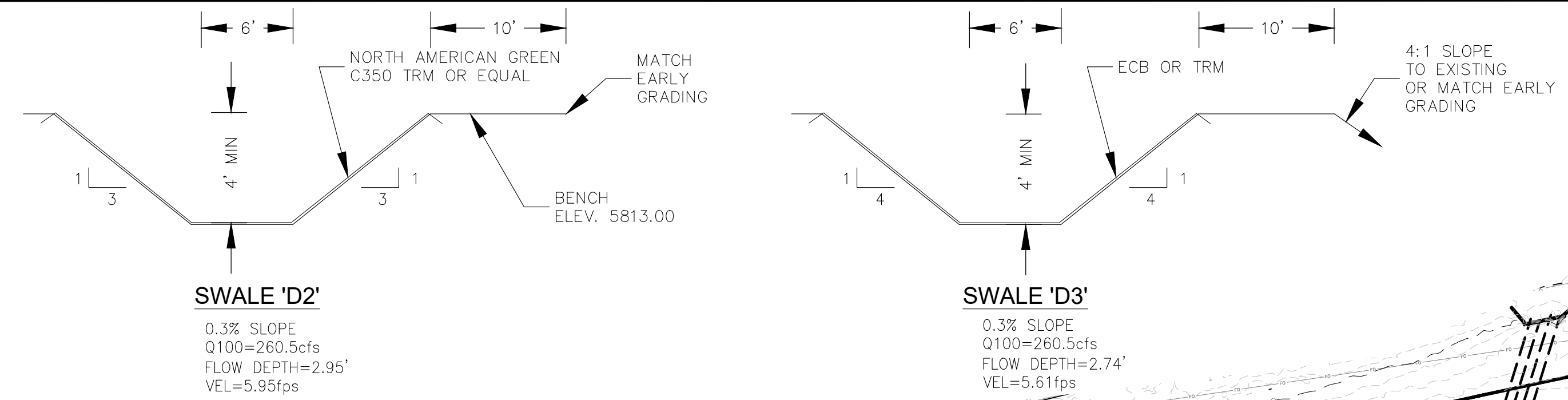
DATE:
APR., 2026
PROJECT NO.
100.302
SHEET NUMBER
C4.1
TOTAL SHEETS: 25

SEE SHEET C4.2

SEE SHEET C4.3



KEY MAP
NO SCALE



SEE SHEET C4.1

SEE SHEET C4.4

SEE SHEET C4.5

CORE
ENGINEERING GROUP
15004 151st Avenue, S.
Suite 100, Aurora, CO 80012
PH: 719.570.1100
CONTACT: RICHARD L. SCHINDLER, P.E.
EMAIL: Rich@ceg1.com

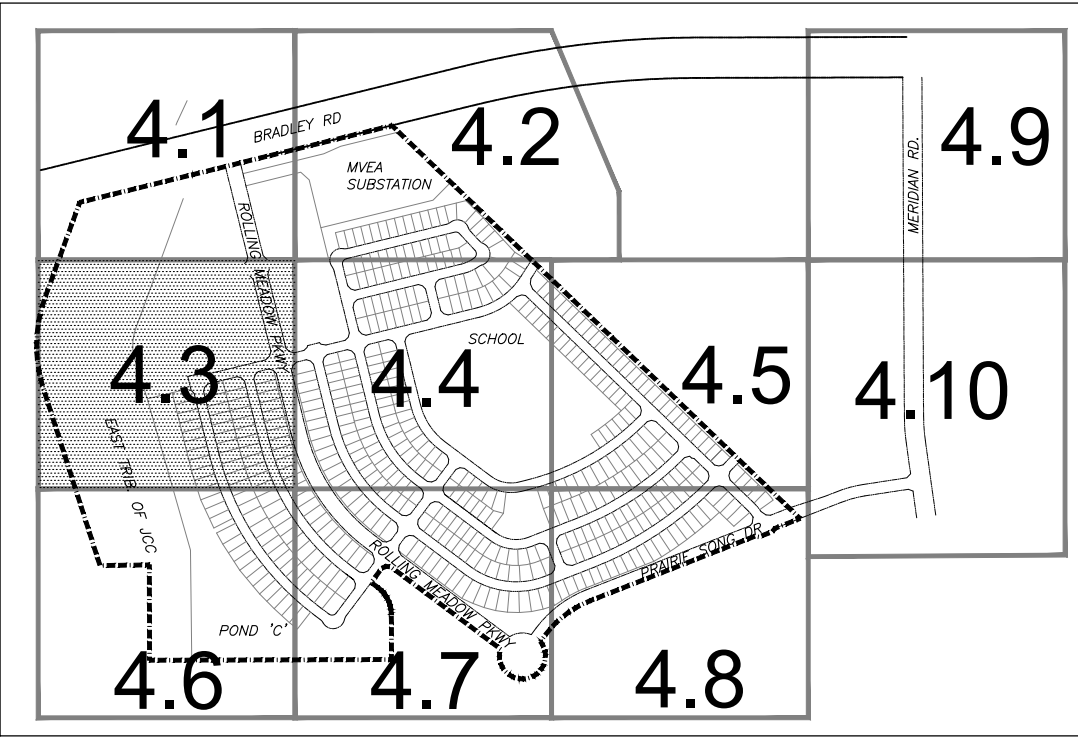
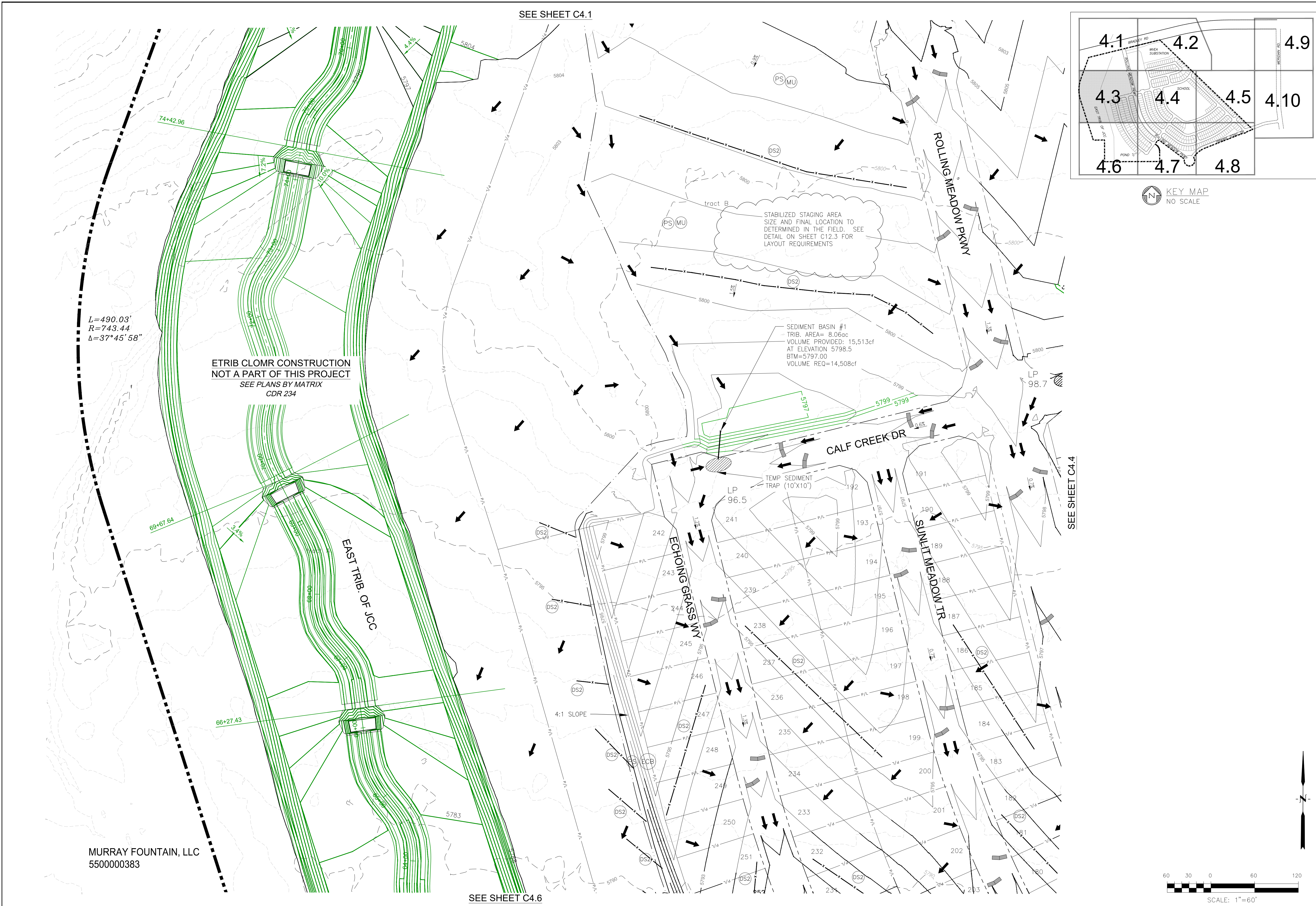
DATE: ###/###/###
DESCRIPTION: ###/###/###
NO. ###/###
PROJECT: ANTELOPE RIDGE AT BULL HILL PHASE 1
212 N. WAHSATCH AVE, SUITE 301
COLORADO SPRINGS, COLORADO 80903
FONTANE BLVD MARKSHEFFEL RD
COLORADO SPRINGS, CO
CONTACT: JEFF MARK

DRAWN: BRN
DESIGNED: RLS
CHECKED: RLS

**ANTELOPE RIDGE AT BULL HILL
OVERLOT EARLY GRADING AND
EROSION CONTROL PLAN**

PRELIMINARY

DATE: APR., 2026
PROJECT NO. 100.302
SHEET NUMBER C4.2
TOTAL SHEETS: 25



KEY MAP
NO SCALE

CORE ENGINEERING GROUP
 15004 151ST AVENUE, S.
 COLORADO SPRINGS, CO 80906
 PH: 719.570.1100
 CONTACT: RICHARD L. SCHINDLER, P.E.
 EMAIL: Rich@cge1.com

DATE: ###/###/###
 NO. ###/###/###
 DESCRIPTION: ###/###/###
 PREPARED FOR:
EAGLE DEVELOPMENT
 212 N. WAHSATCH AVE, SUITE 301
 COLORADO SPRINGS, COLORADO 80903
 PROJECT:
ANTELOPE RIDGE AT BULL HILL PHASE 1
 FONTANE BLVD/MARKSHEFFEL RD
 COLORADO SPRINGS, CO
 CONTACT: JEFF MARK

DRAWN: BRN
 DESIGNED: RLS
 CHECKED: RLS

**ANTELOPE RIDGE AT BULL HILL
 OVERLOT EARLY GRADING AND
 EROSION CONTROL PLAN**

PRELIMINARY

DATE:
APR., 2026
 PROJECT NO.
100.302
 SHEET NUMBER
C4.3
 TOTAL SHEETS: 25

$L=490.03'$
 $R=743.44'$
 $\Delta=37^{\circ}45'58''$

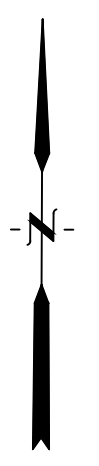
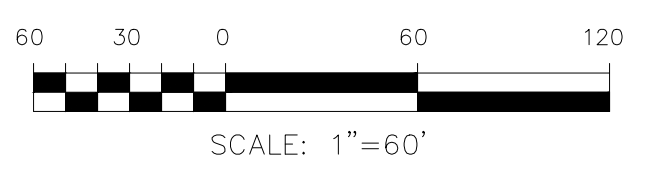
**ETRIB CLOMR CONSTRUCTION
 NOT A PART OF THIS PROJECT**
 SEE PLANS BY MATRIX
 CDR 234

tract B
 STABILIZED STAGING AREA
 SIZE AND FINAL LOCATION TO
 BE DETERMINED IN THE FIELD. SEE
 DETAIL ON SHEET C12.3 FOR
 LAYOUT REQUIREMENTS

SEDIMENT BASIN #1
 TRIB. AREA= 8.06ac
 VOLUME PROVIDED: 15,513cf
 AT ELEVATION 5798.5
 BTM=5797.00
 VOLUME REQ=14,508cf

TEMP SEDIMENT
 TRAP (10'X10')

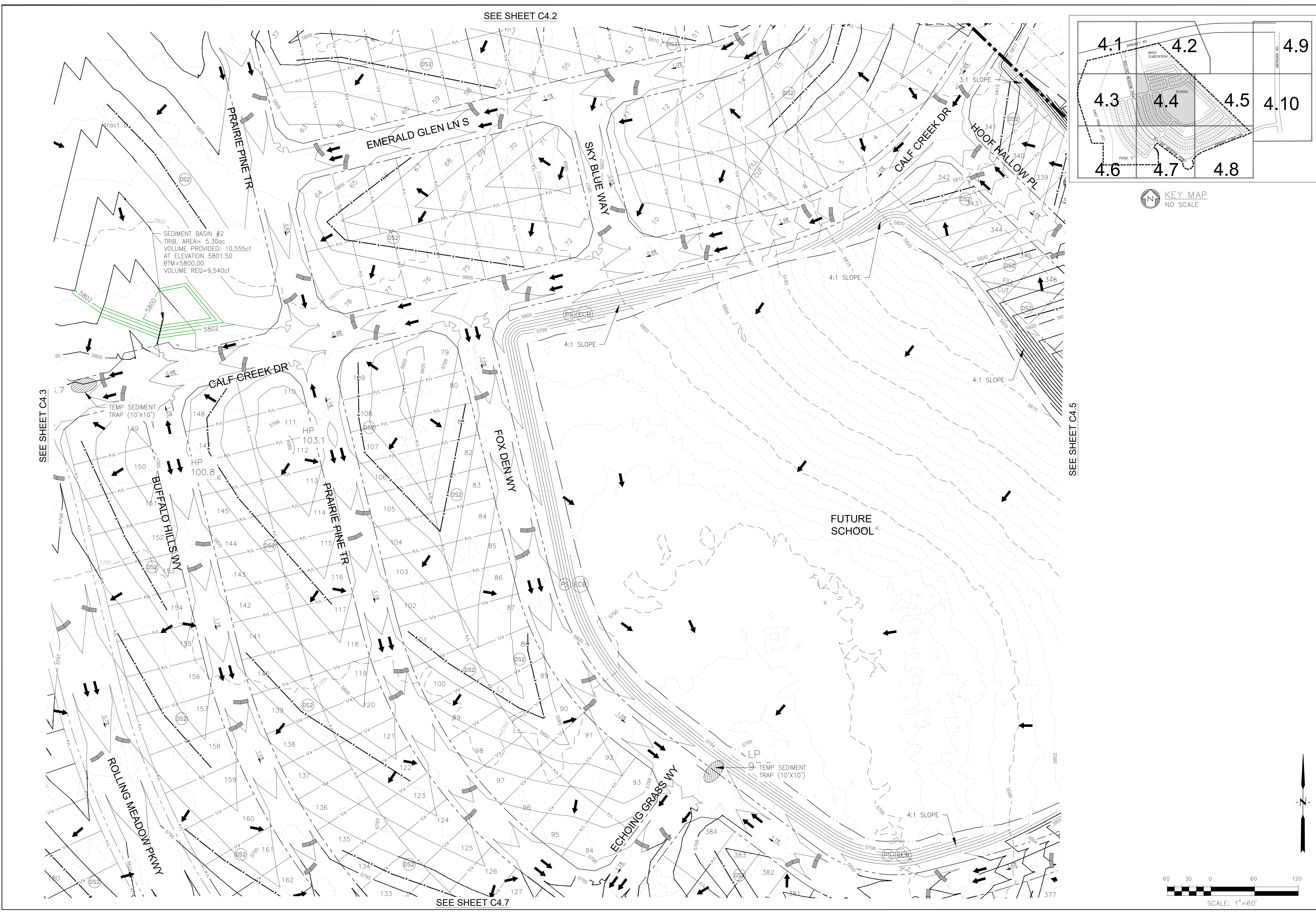
MURRAY FOUNTAIN, LLC
 5500000383



SEE SHEET C4.1

SEE SHEET C4.6

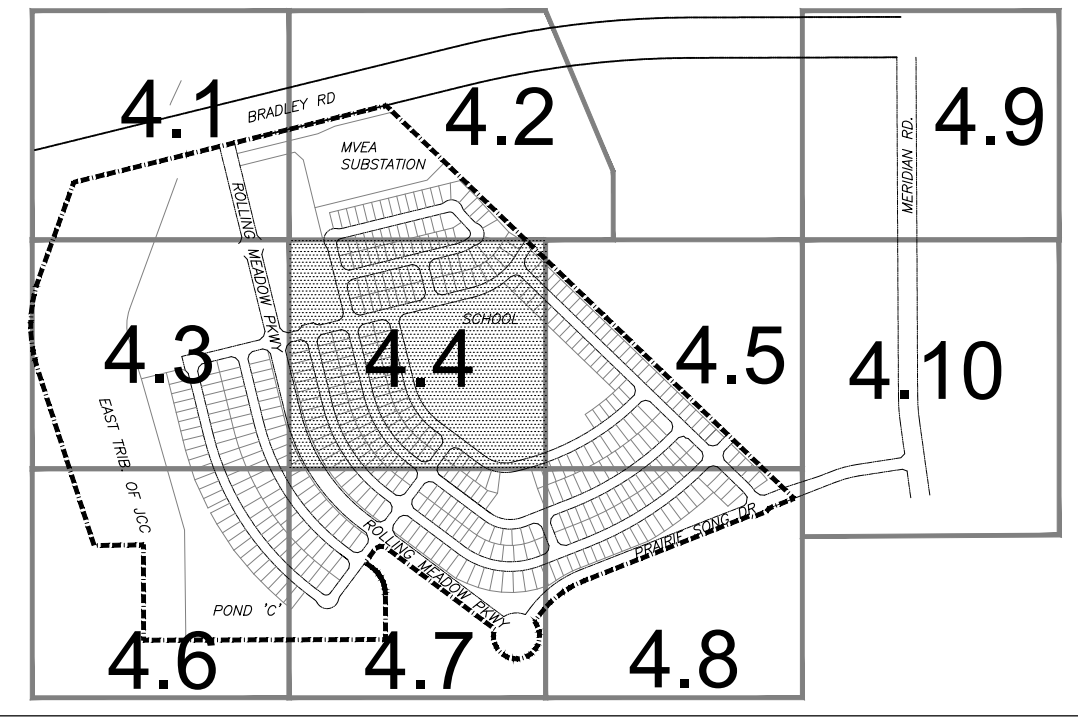
SEE SHEET C4.4



SEE SHEET C4.2

SEE SHEET C4.7

SEE SHEET C4.5



KEY MAP
NO SCALE

CORE
ENGINEERING GROUP
15004 151ST AVENUE S.
PH: 719.570.1100
CONTACT: RICHARD L. SCHINDLER, P.E.
EMAIL: Rich@cgl.com

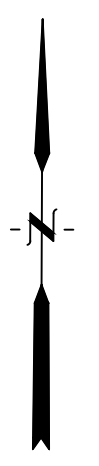
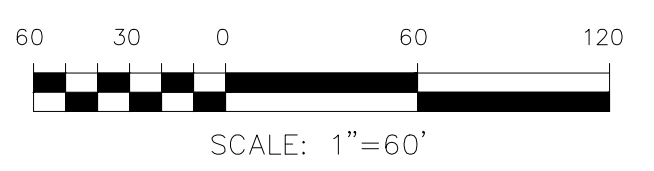
NO. ###
DATE ###/###/###
DESCRIPTION ###
PREPARED FOR:
EAGLE DEVELOPMENT
212 N. WAHSATCH AVE, SUITE 301
COLORADO SPRINGS, COLORADO 80903
PROJECT:
ANTELOPE RIDGE AT BULL
HILL PHASE 1
FONTANE BLVD/MARKSHEFFEL RD
COLORADO SPRINGS, CO
CONTACT: JEFF MARK

DRAWN: BRN
DESIGNED: RLS
CHECKED: RLS

ANTELOPE RIDGE AT BULL HILL
OVERLOT EARLY GRADING AND
EROSION CONTROL PLAN

PRELIMINARY

DATE:
APR., 2026
PROJECT NO.
100.302
SHEET NUMBER
C4.4
TOTAL SHEETS: 25

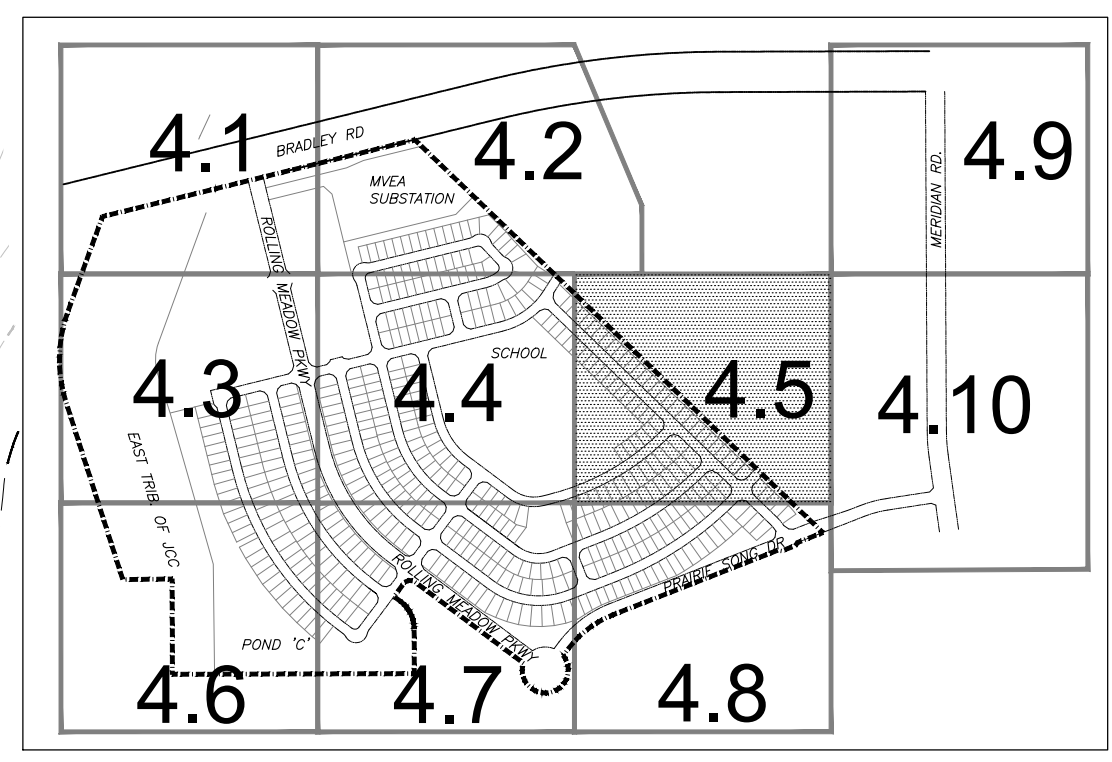
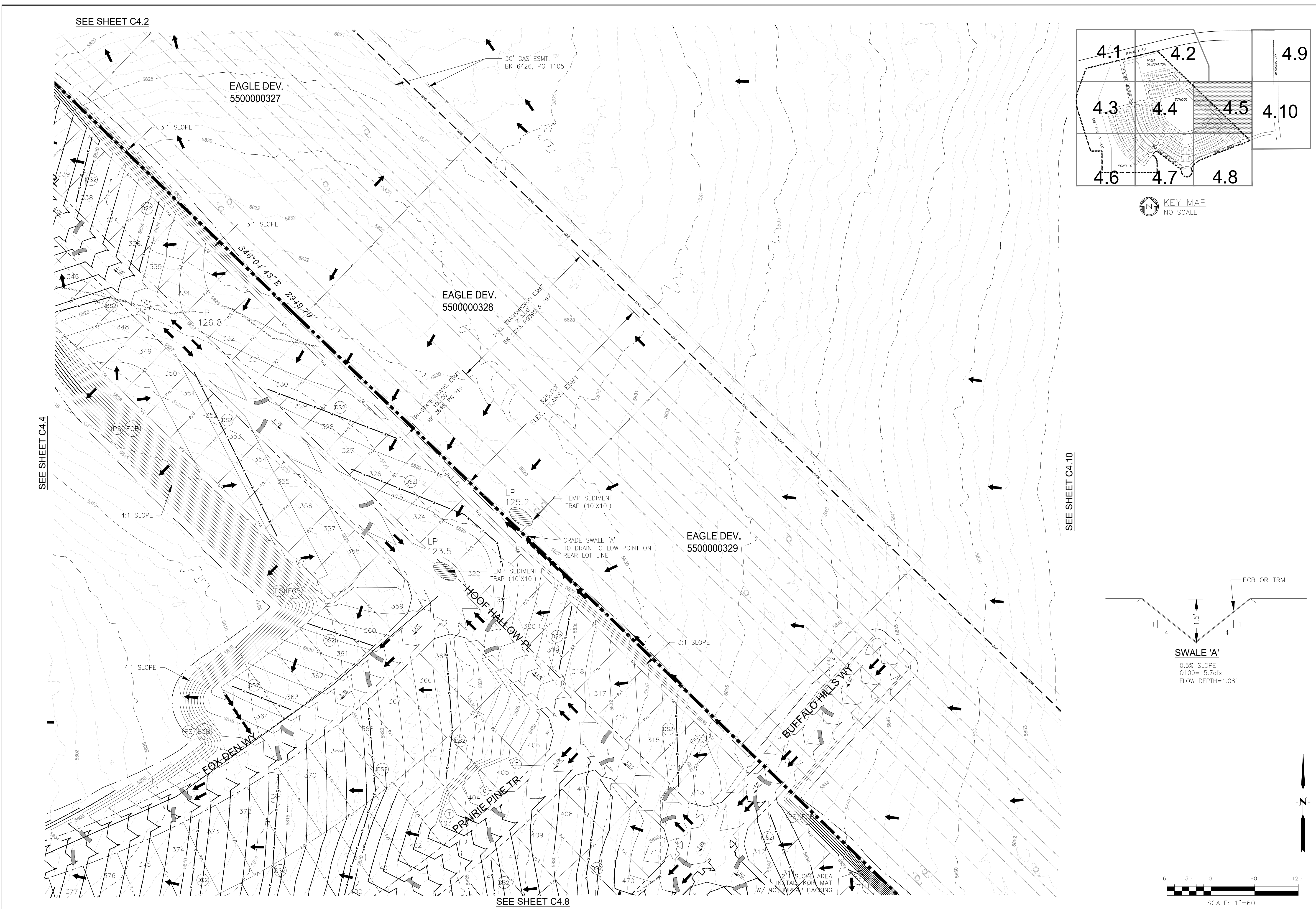


SEE SHEET C4.3

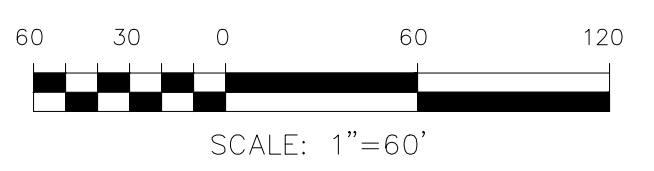
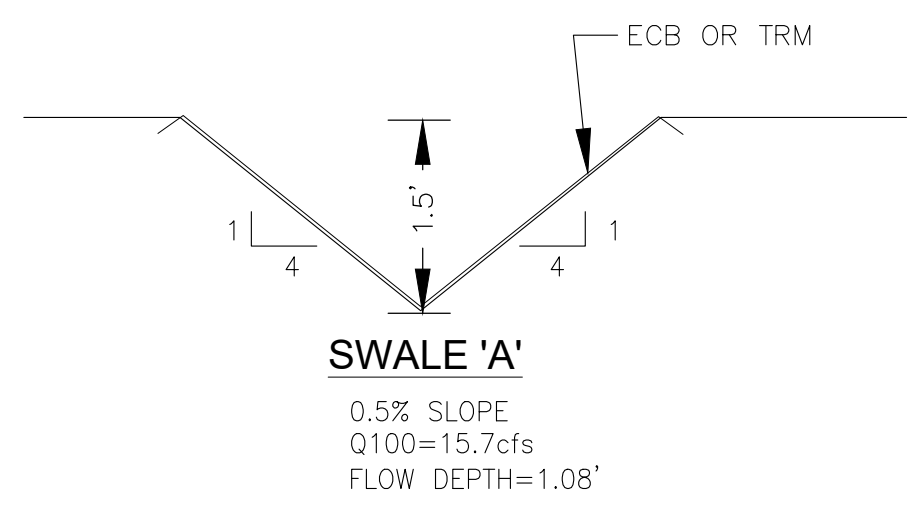
SEDIMENT BASIN #2
TRIB. AREA= 5.30ac
VOLUME PROVIDED: 10,555cf
AT ELEVATION 5801.50
BTM=5800.00
VOLUME REQ=9,540cf

TEMP SEDIMENT TRAP (10'X10')

LP
TEMP SEDIMENT TRAP (10'X10')



KEY MAP
NO SCALE



CORE
ENGINEERING GROUP
15004 151ST AVENUE S.
PH: 719.570.5506
CONTACT: RICHARD L. SCHINDLER, P.E.
EMAIL: Rich@cgl.com

DATE: ###/###/###
DESCRIPTION: ###/###/###
NO. ###/###
NO. ###/###
NO. ###/###
NO. ###/###

PREPARED FOR:
EAGLE DEVELOPMENT
212 N. WAHSATCH AVE, SUITE 301
COLORADO SPRINGS, COLORADO 80903
CONTACT: JEFF MARK

PROJECT:
ANTELOPE RIDGE AT BULL HILL PHASE 1
FONTAINE BLVD/MARKSHEFFEL RD
COLORADO SPRINGS, CO

DRAWN: BRN
DESIGNED: RLS
CHECKED: RLS

**ANTELOPE RIDGE AT BULL HILL
OVERLOT EARLY GRADING AND
EROSION CONTROL PLAN**

PRELIMINARY

DATE:
APR., 2026
PROJECT NO.
100.302
SHEET NUMBER
C4.5
TOTAL SHEETS: 25

SEE SHEET C4.4

SEE SHEET C4.10

SEE SHEET C4.8

SEE SHEET C4.2

SEE SHEET C4.3

ETRIB CLOMR CONSTRUCTION
NOT A PART OF THIS PROJECT
SEE PLANS BY MATRIX
CDR 234

MURRAY FOUNTAIN, LLC
5500000383

BLH NO. 2, LLC
5500000383

BLH NO. 2, LLC
5500000475 5500000479

BLH NO. 2, LLC
5500000383

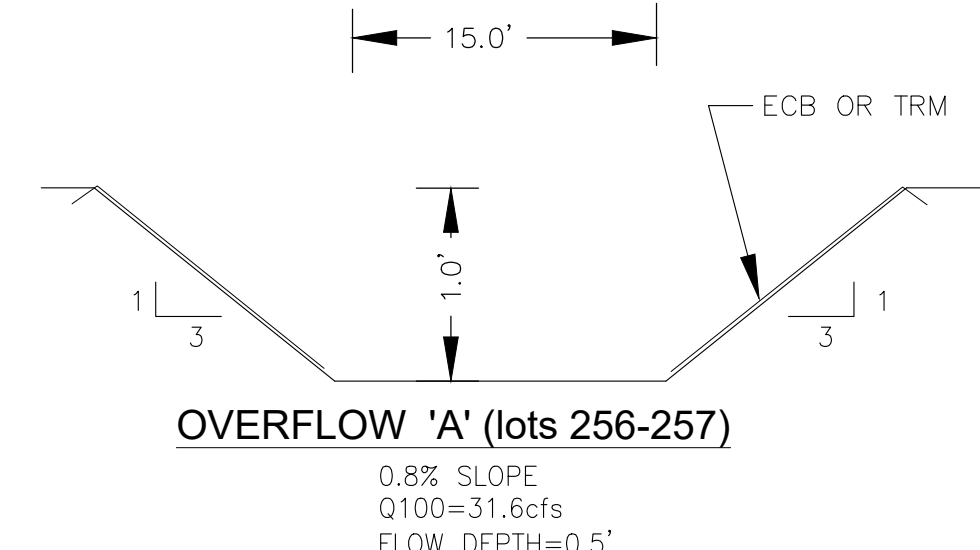
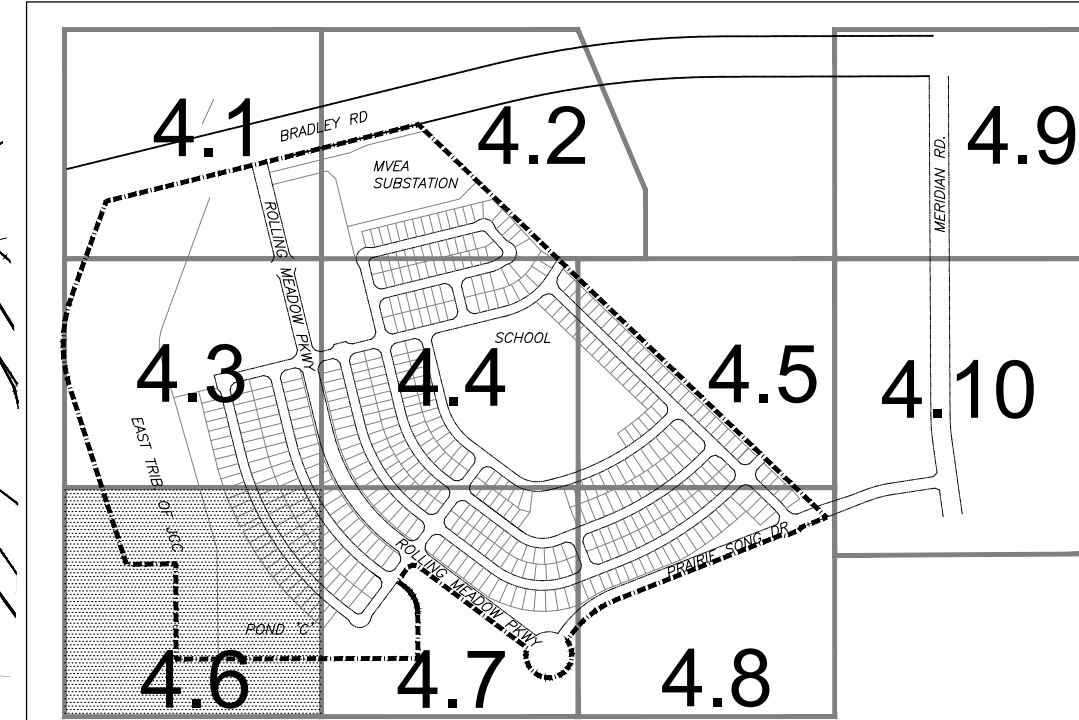
ETRIB CLOMR CONSTRUCTION
NOT A PART OF THIS PROJECT
SEE PLANS BY MATRIX
CDR 234

EAST TRIB. OF JCC

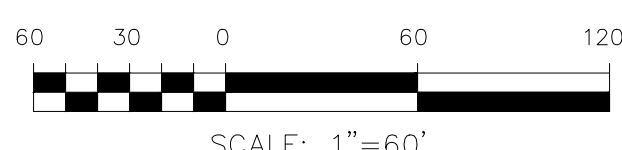
POND 'C'
tract N

EAGLE DEVELOPMENT
5500000324

SEE SHEET C4.7



NOTE:
1. PRIOR TO PLATTING OF THIS PROJECT ACCESS FOR MAINTENANCE OF POND C IS GRANTED TO EL PASO COUNTY PER THE "PRE-DEVELOPMENT SITE GRADING ACKNOWLEDGEMENT AND RIGHT OF ACCESS AGREEMENT". FINAL PLATTING OF THIS PROJECT WILL INCLUDE TRACTS OF LAND DEDICATED FOR POND OWNERSHIP AND MAINTENANCE USES.



CORE
ENGINEERING GROUP
15004 151ST AVENUE, S.
SUITE 100
PH: 719.570.1100
CONTACT: RICHARD L. SCHINDLER, P.E.
EMAIL: Rich@cgl.com

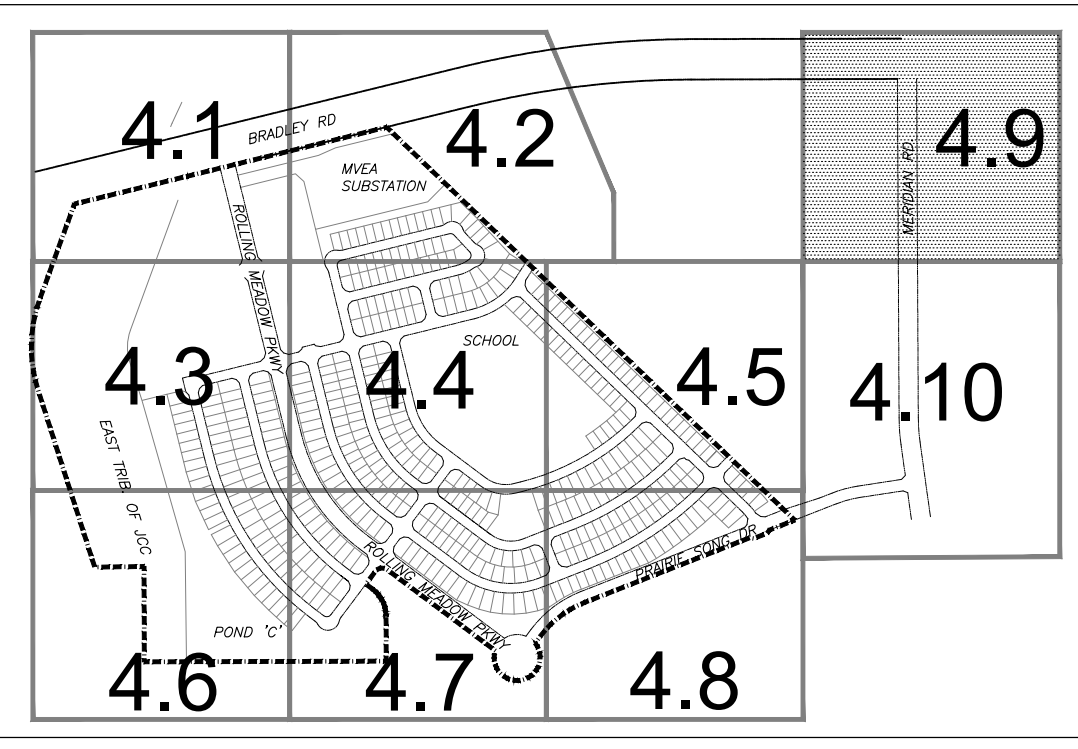
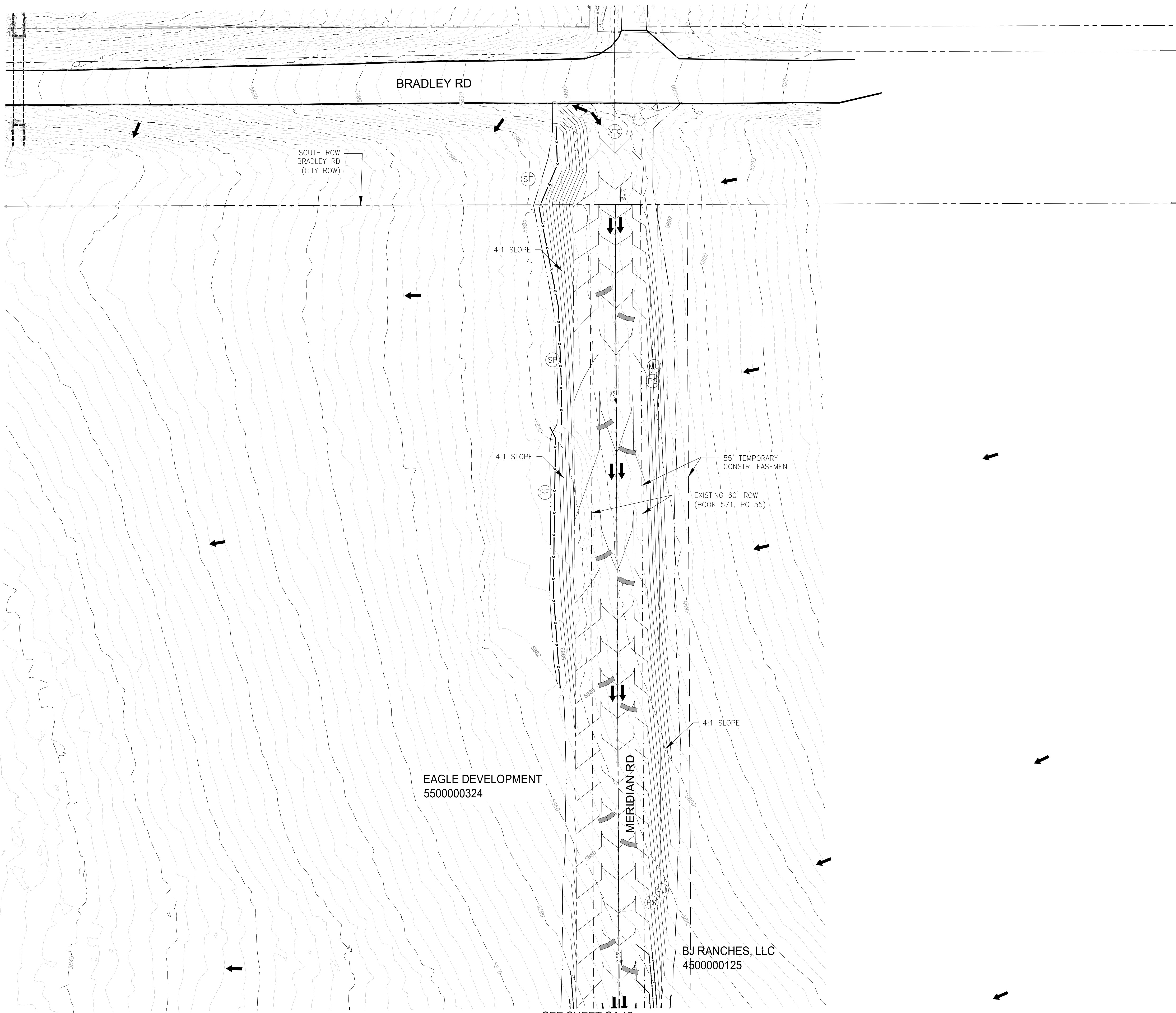
DATE: ###/###/###
DESCRIPTION: ###/###/###
NO. ###/###/###
PROJECT: ANTELOPE RIDGE AT BULL HILL PHASE 1
PREPARED FOR: EAGLE DEVELOPMENT
212 N. WAHSATCH AVE, SUITE 301
COLORADO SPRINGS, COLORADO 80903
FONTS BLVD/MARKSHEFFEL RD
COLORADO SPRINGS, CO
CONTACT: JEFF MARK

DRAWN: BRN
DESIGNED: RLS
CHECKED: RLS

ANTELOPE RIDGE AT BULL HILL
OVERLOT EARLY GRADING AND
EROSION CONTROL PLAN

PRELIMINARY

DATE: APR., 2026
PROJECT NO. 100.302
SHEET NUMBER C4.6
TOTAL SHEETS: 25



KEY MAP
NO SCALE

CORE ENGINEERING GROUP
 15004 151ST AVENUE S.E.
 SUITE 100
 FORT COLLINS, CO 80506
 PHONE: 970.779.5700
 CONTACT: RICHARD L. SCHINDLER, P.E.
 EMAIL: Rich@cgei.com

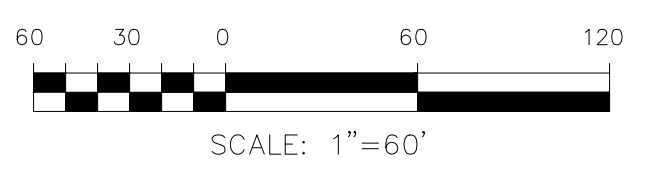
DATE: ###/###/###
 DESCRIPTION: ###/###/###
 NO. ###/###/###
 PREPARED FOR:
EAGLE DEVELOPMENT
 212 N. WAHSATCH AVE, SUITE 301
 COLORADO SPRINGS, COLORADO 80903
 (719) 635-3200
 CONTACT: JEFF MARK

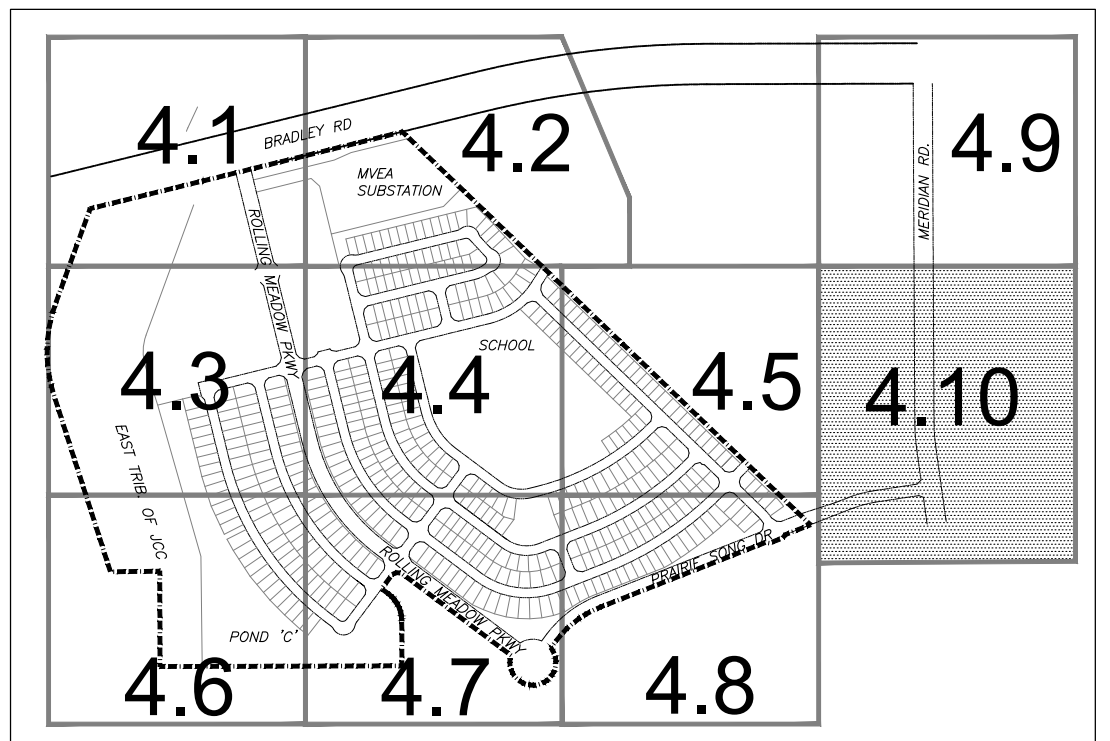
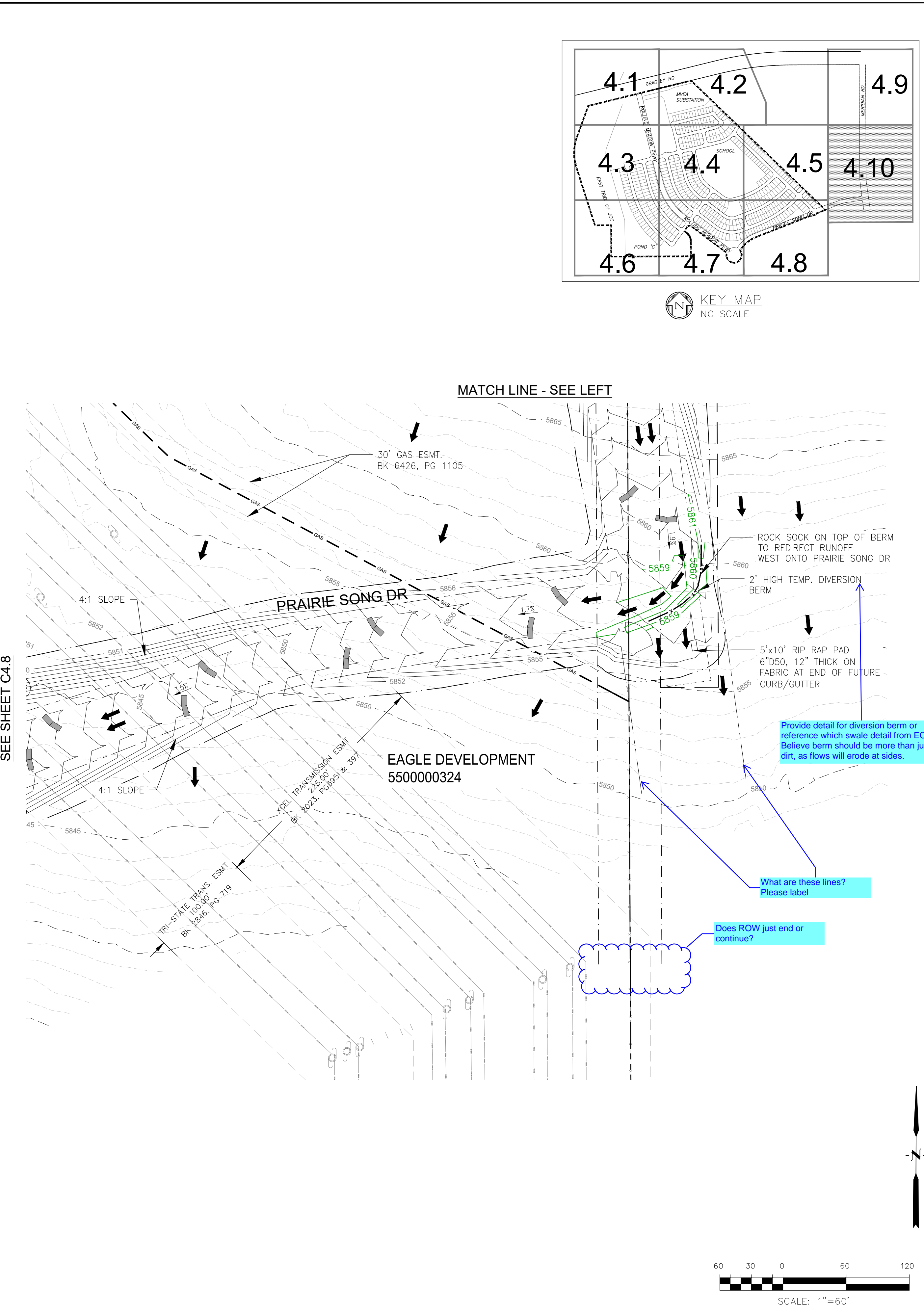
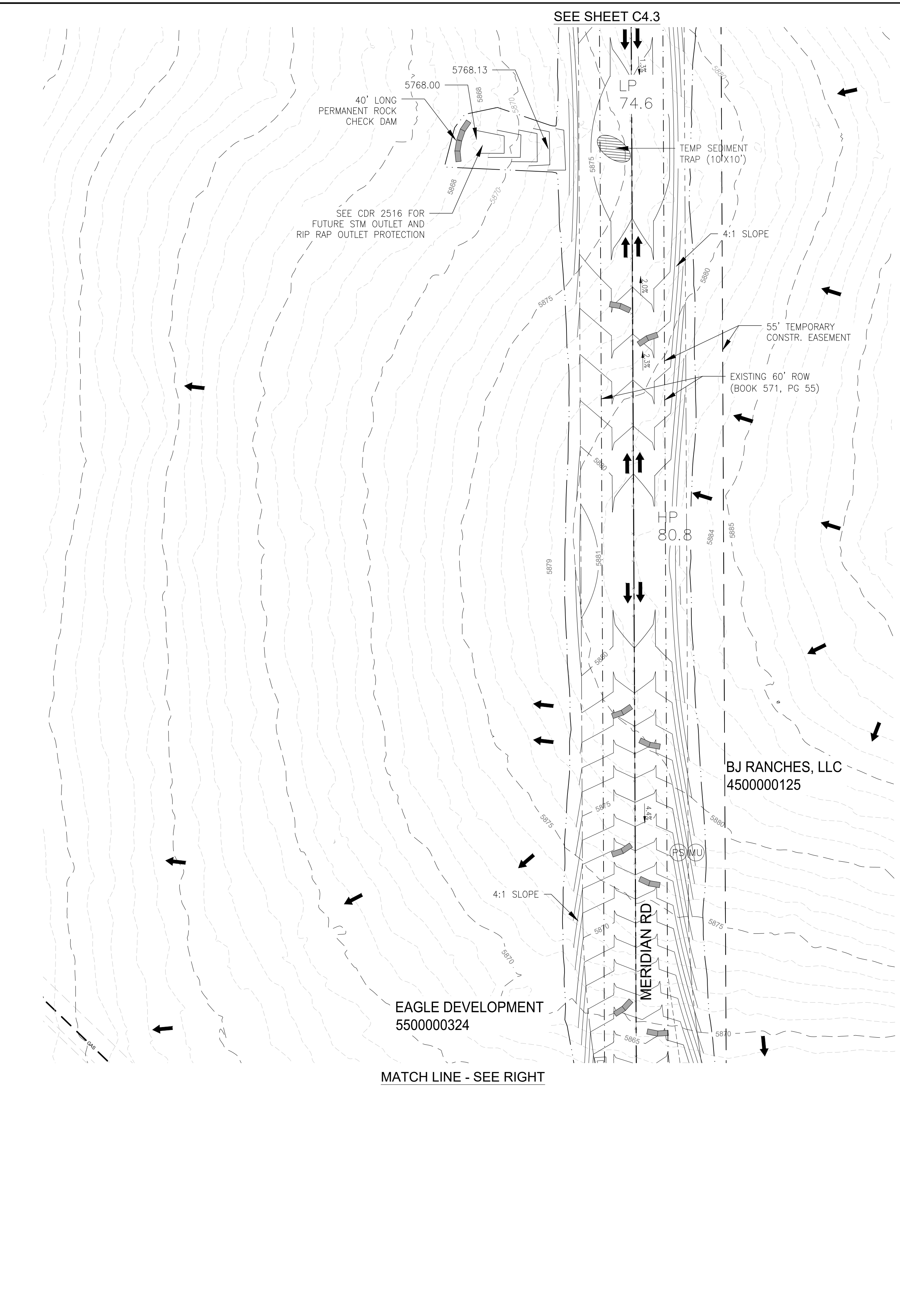
DRAWN: BRN
 DESIGNED: RLS
 CHECKED: RLS

**ANTELOPE RIDGE AT BULL HILL
 OVERLOT EARLY GRADING AND
 EROSION CONTROL PLAN**

PRELIMINARY

DATE:
APR., 2026
 PROJECT NO.
100.302
 SHEET NUMBER
C4.9
 TOTAL SHEETS: 25





KEY MAP
NO SCALE

CORE ENGINEERING GROUP
 15004 151ST AVENUE, S.
 COLORADO SPRINGS, CO 80906
 PH: 719.570.1100
 CONTACT: RICHARD L. SCHINDLER, P.E.
 EMAIL: Rich@cge1.com

DATE: ###/###/###
 DESCRIPTION: ###/###/###
 NO. ###/###/###
 PREPARED FOR:
EAGLE DEVELOPMENT
 212 N. WAHSATCH AVE, SUITE 301
 COLORADO SPRINGS, COLORADO 80903
 PROJECT:
ANTELOPE RIDGE AT BULL HILL PHASE 1
 FONTAINE BLVD/MARKSHEFFEL RD
 COLORADO SPRINGS, CO

DRAWN: BRN
 DESIGNED: RLS
 CHECKED: RLS

**ANTELOPE RIDGE AT BULL HILL
 OVERLOT EARLY GRADING AND
 EROSION CONTROL PLAN**

PRELIMINARY

DATE:
APR., 2026

PROJECT NO.
100.302

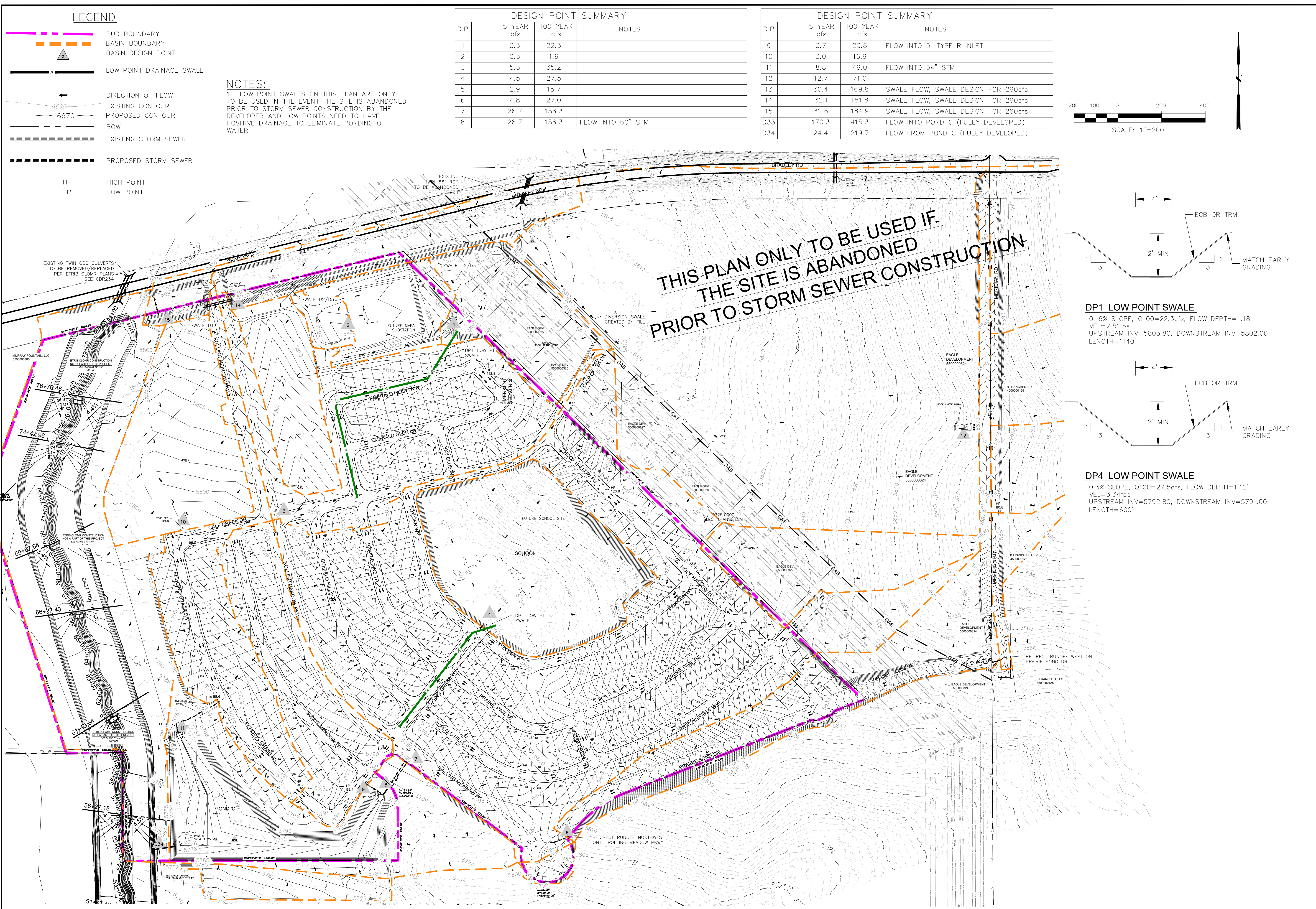
SHEET NUMBER
C4.10

TOTAL SHEETS: 25

Provide detail for diversion berm or reference which swale detail from EC-10. Believe berm should be more than just dirt, as flows will erode at sides.

What are these lines? Please label

Does ROW just end or continue?



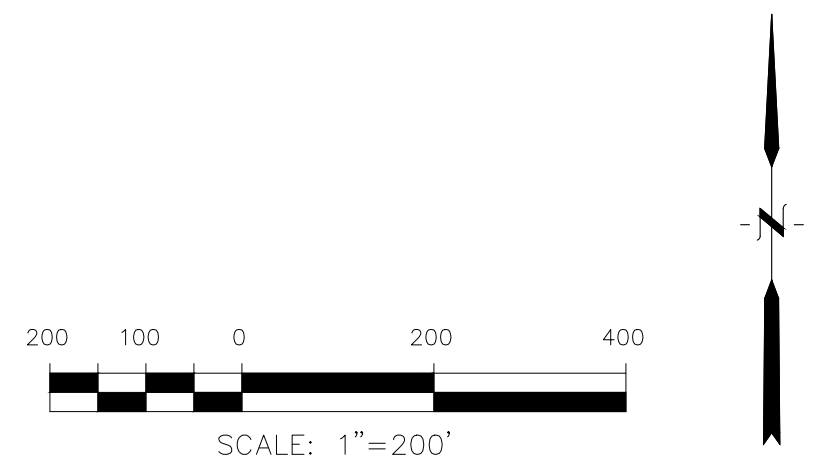
LEGEND

- PUD BOUNDARY
- BASIN BOUNDARY
- ▲ BASIN DESIGN POINT
- LOW POINT DRAINAGE SWALE
- ← DIRECTION OF FLOW
- EXISTING CONTOUR
- PROPOSED CONTOUR
- ROW
- EXISTING STORM SEWER
- PROPOSED STORM SEWER
- HP HIGH POINT
- LP LOW POINT

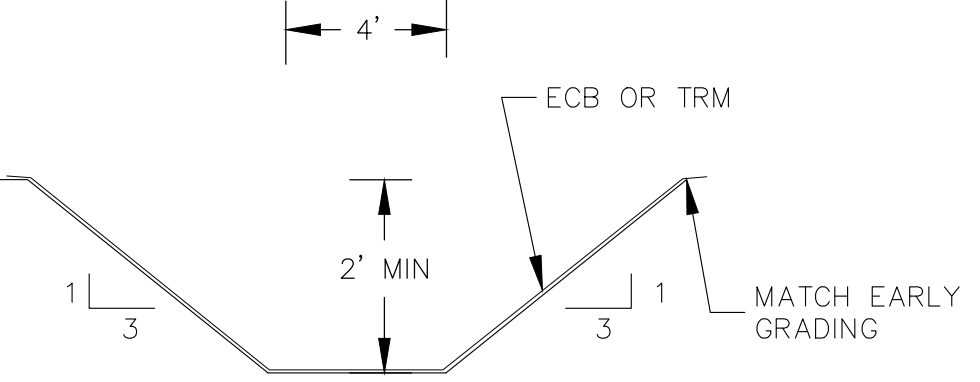
NOTES:
 1. LOW POINT SWALES ON THIS PLAN ARE ONLY TO BE USED IN THE EVENT THE SITE IS ABANDONED PRIOR TO STORM SEWER CONSTRUCTION BY THE DEVELOPER AND LOW POINTS NEED TO HAVE POSITIVE DRAINAGE TO ELIMINATE PONDING OF WATER

DESIGN POINT SUMMARY			
D.P.	5 YEAR cfs	100 YEAR cfs	NOTES
1	3.3	22.3	
2	0.3	1.9	
3	5.3	35.2	
4	4.5	27.5	
5	2.9	15.7	
6	4.8	27.0	
7	26.7	156.3	
8	26.7	156.3	FLOW INTO 60" STM

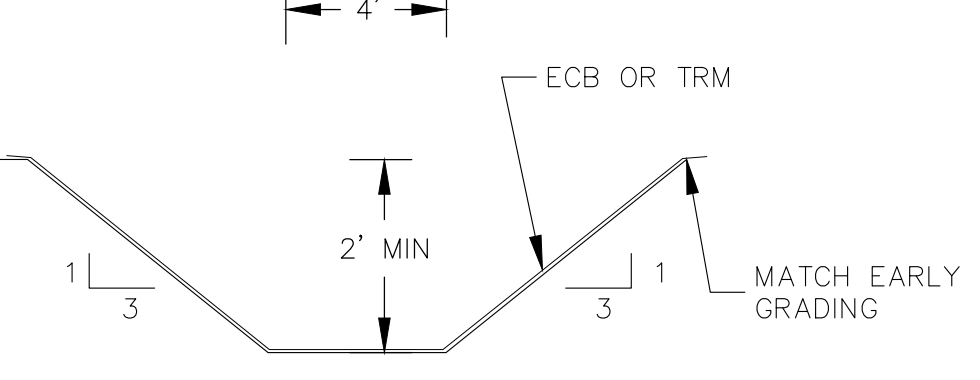
DESIGN POINT SUMMARY			
D.P.	5 YEAR cfs	100 YEAR cfs	NOTES
9	3.7	20.8	FLOW INTO 5' TYPE R INLET
10	3.0	16.9	
11	8.8	49.0	FLOW INTO 54" STM
12	12.7	71.0	
13	30.4	169.8	SWALE FLOW, SWALE DESIGN FOR 260cfs
14	32.1	181.8	SWALE FLOW, SWALE DESIGN FOR 260cfs
15	32.6	184.9	SWALE FLOW, SWALE DESIGN FOR 260cfs
D33	170.3	415.3	FLOW INTO POND C (FULLY DEVELOPED)
D34	24.4	219.7	FLOW FROM POND C (FULLY DEVELOPED)



THIS PLAN ONLY TO BE USED IF THE SITE IS ABANDONED PRIOR TO STORM SEWER CONSTRUCTION



DP1 LOW POINT SWALE
 0.16% SLOPE, Q100=22.3cfs, FLOW DEPTH=1.18'
 VEL=2.51fps
 UPSTREAM INV=5803.80, DOWNSTREAM INV=5802.00
 LENGTH=1140'



DP4 LOW POINT SWALE
 0.3% SLOPE, Q100=27.5cfs, FLOW DEPTH=1.12'
 VEL=3.34fps
 UPSTREAM INV=5792.80, DOWNSTREAM INV=5791.00
 LENGTH=600'

CORE ENGINEERING GROUP
 1500 S. W. 11TH AVENUE, SUITE 301
 BOULDER, CO 80502
 PHONE: 719.570.1100
 CONTACT: RICHARD L. SCHINDLER, P.E.
 EMAIL: Rich@ceg1.com

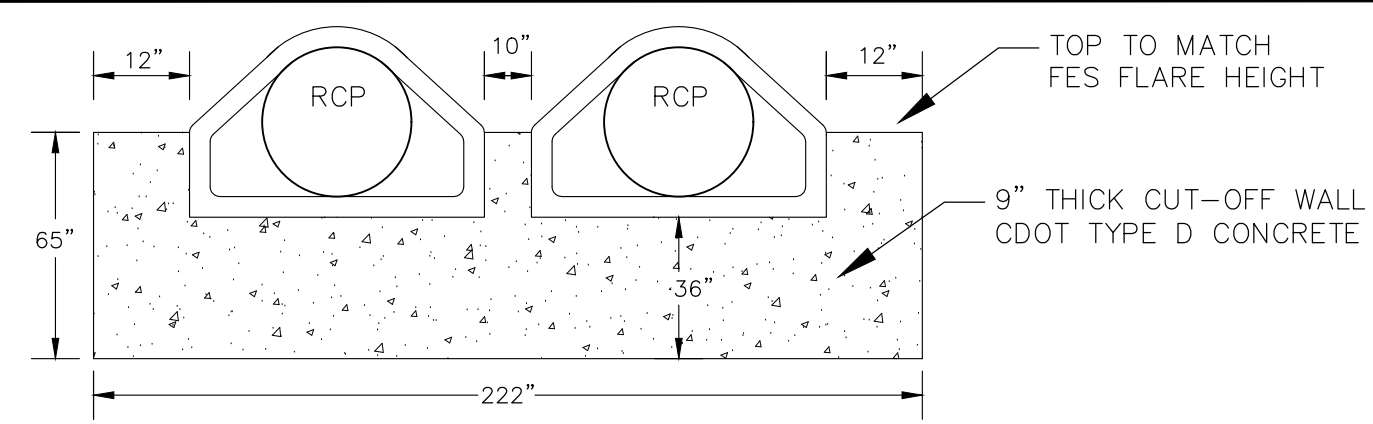
DATE: ###/###/###
 NO. ###/###
 DESCRIPTION: ###/###
 PREPARED FOR: EAGLE DEVELOPMENT
 212 N. WAHSATCH AVE, SUITE 301
 COLORADO SPRINGS, COLORADO 80903
 PROJECT: ANTELOPE RIDGE AT BULL HILL PHASE 1
 FOUNTAIN BLVD/MARKSHEFFEL RD
 COLORADO SPRINGS, CO
 CONTACT: JEFF MARK

DRAWN: BRN
 DESIGNED: RLS
 CHECKED: RLS

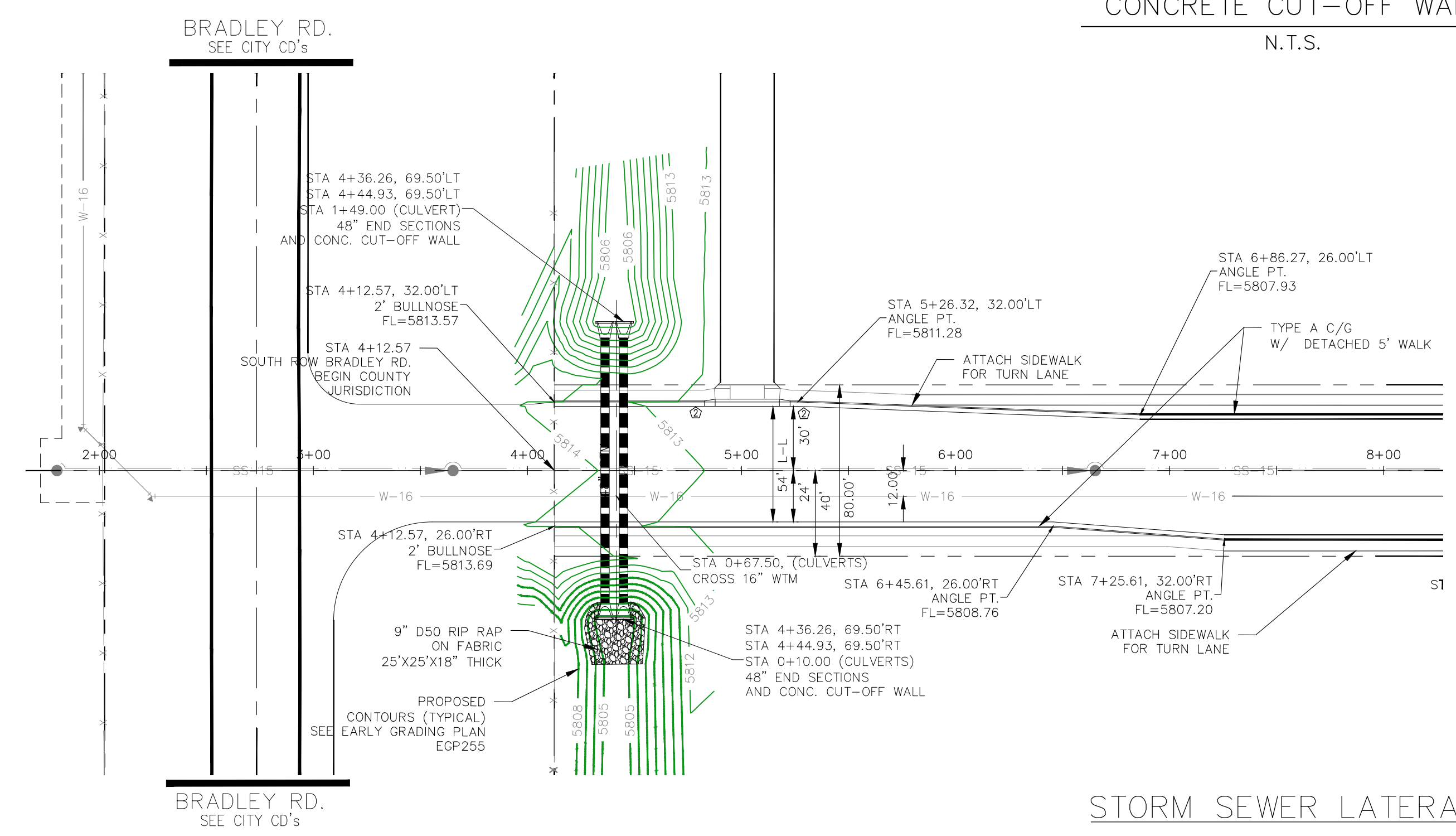
LOW POINT DRAINAGE SWALES
 GRADING AND EROSION CONTROL PLAN

PRELIMINARY

DATE: APR., 2026
 PROJECT NO. 100.302
 SHEET NUMBER C4.11
 TOTAL SHEETS: 25

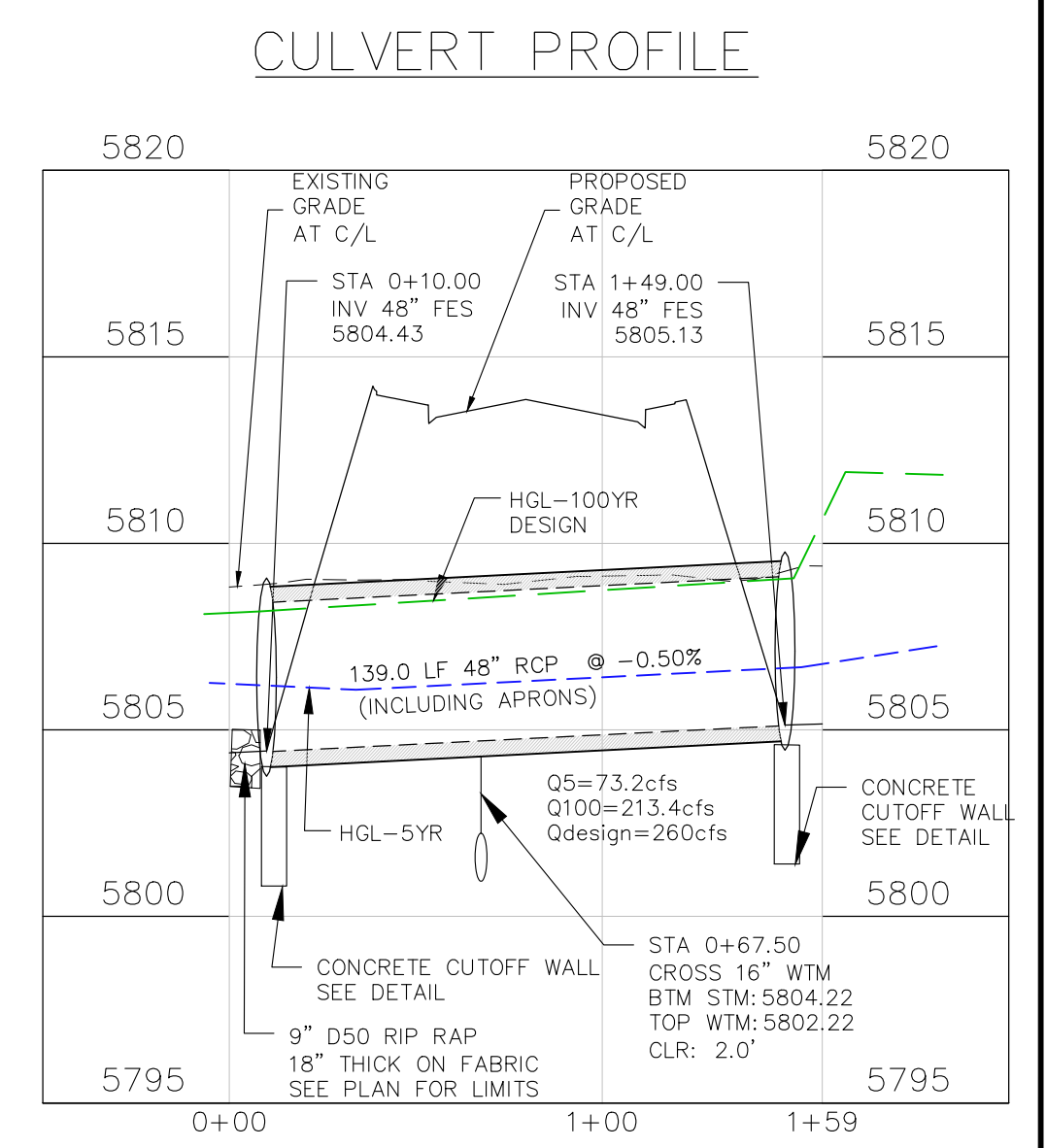
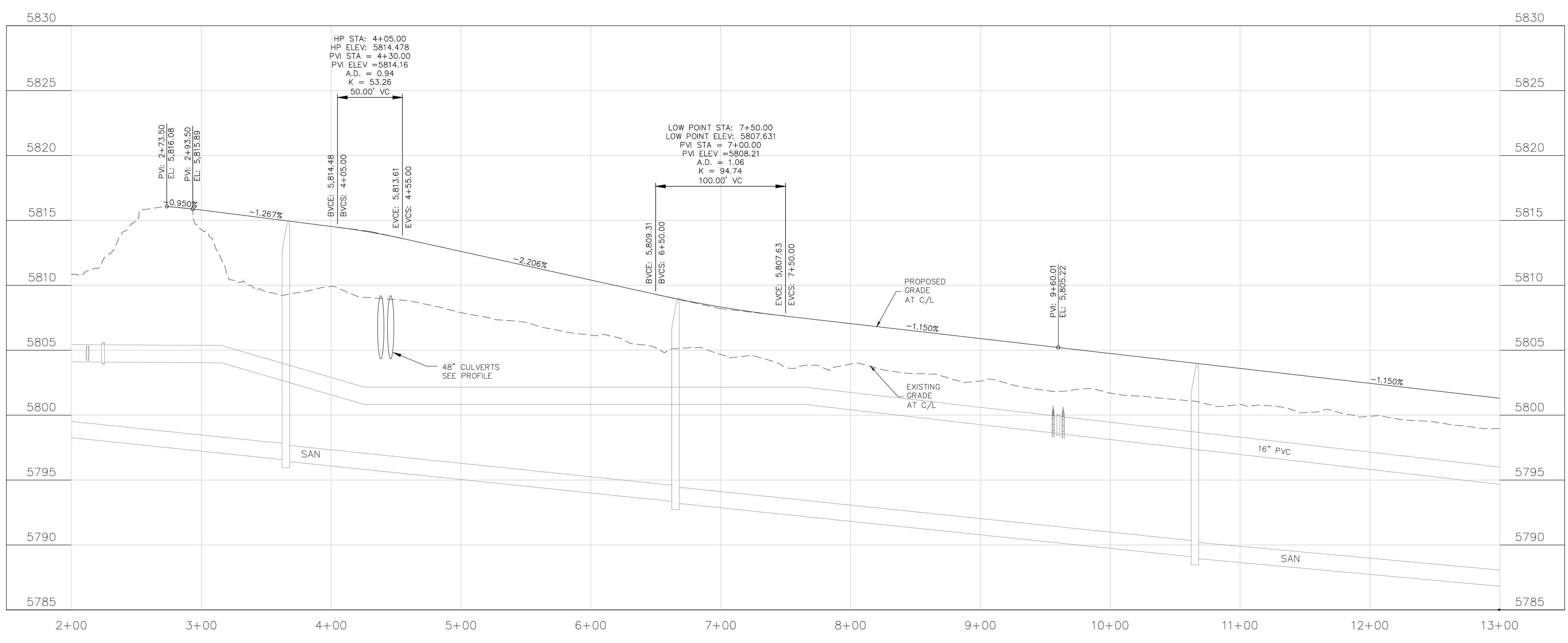
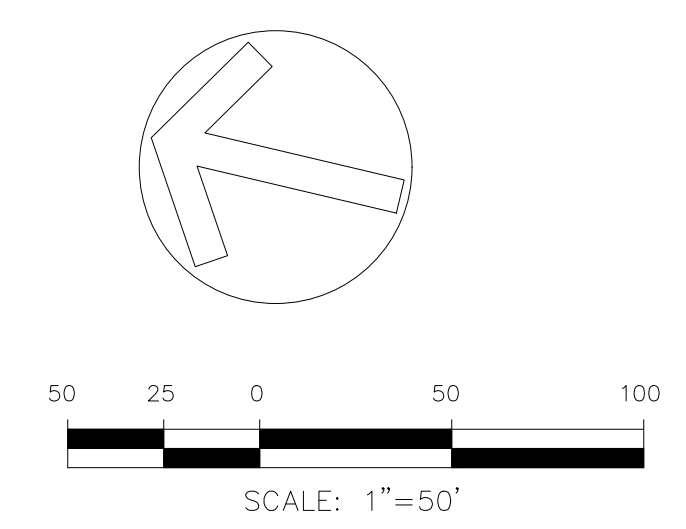


CONCRETE CUT-OFF WALL
N.T.S.



STORM SEWER LATERAL 1

NO STREETS TO BE
CONSTRUCTED WITH
THIS PLAN



NOTE:
1. CONTRACTOR SHALL USE "TYLOX SUPER SEAL" OR APPROVED EQUIVALENT JOINT GASKET FOR ALL STORM SEWER JOINTS

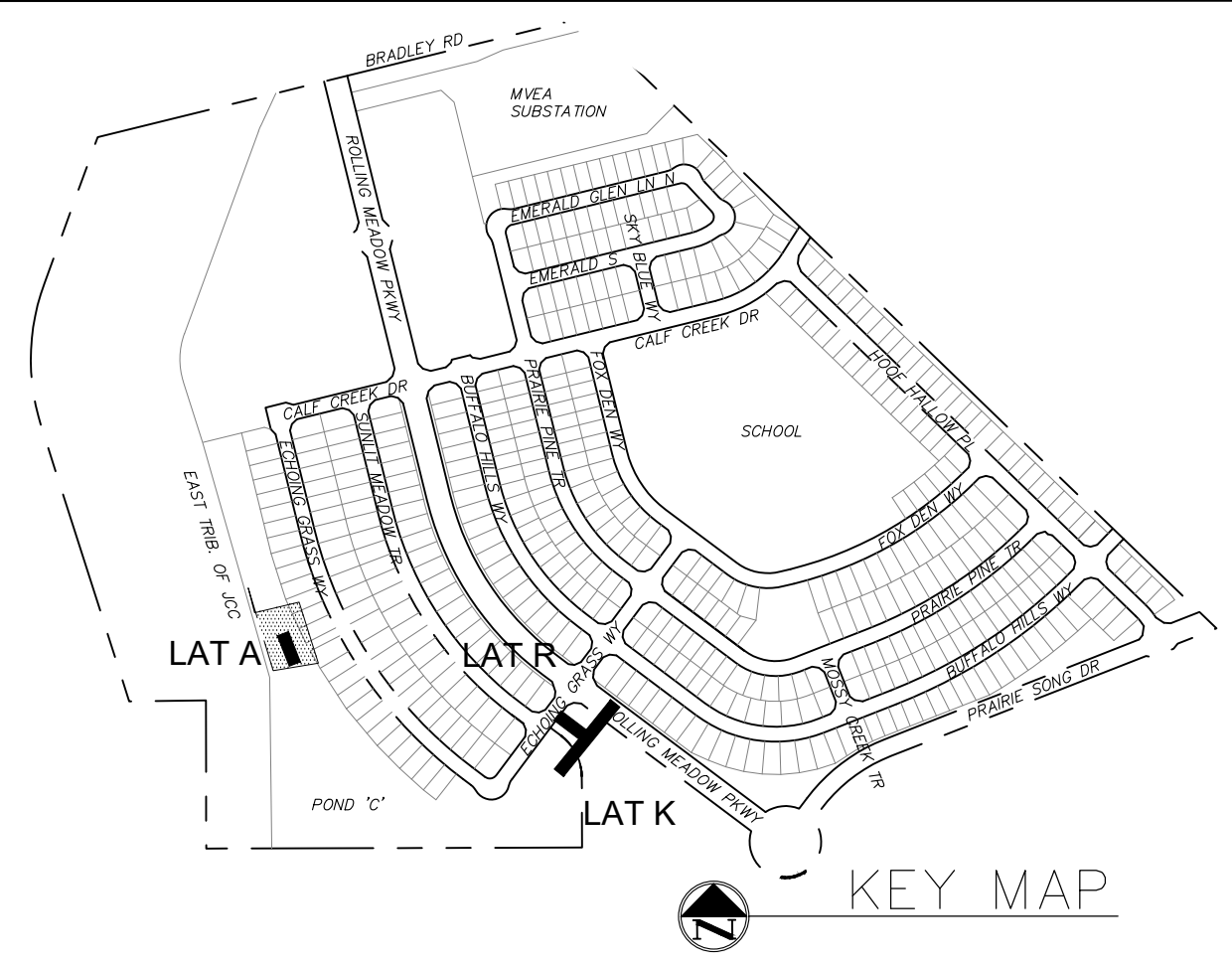
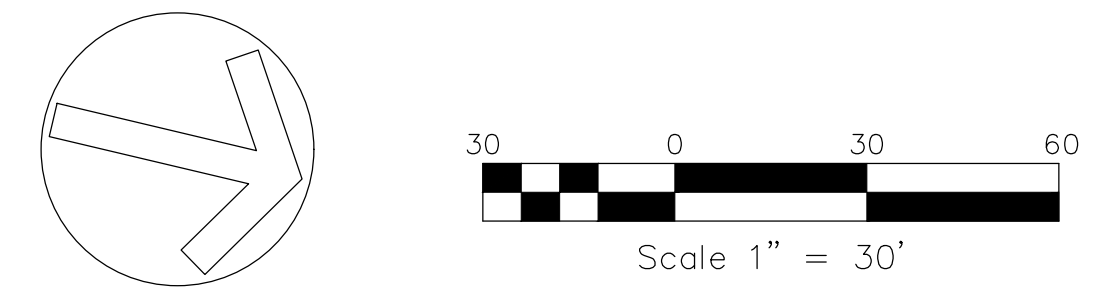
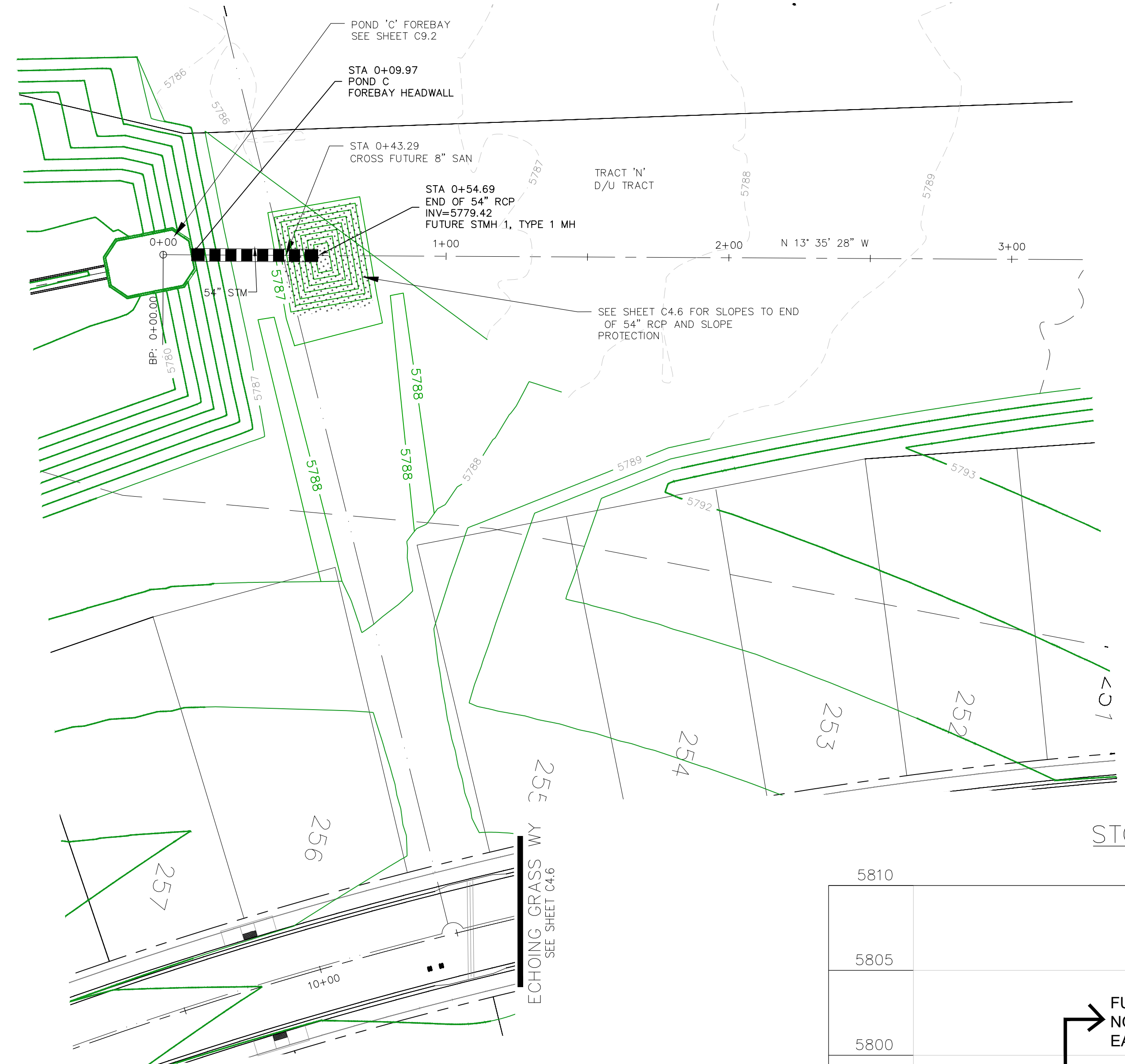
CORE
ENGINEERING GROUP
15004 1ST AVENUE S.
BURNING WOOD, MO 65506
CONTACT: RICHARD L. SCHINDLER, P.E.
EMAIL: Rich@cegi.com

DATE: ###/###/###
DESCRIPTION: ###
NO. ###
PROJECT: ANTELOPE RIDGE AT BULL HILL PHASE 1
FONTAINE BLVD./MARKSHEFFEL RD
COLORADO SPRINGS, CO
PREPARED FOR: EAGLE DEVELOPMENT
212 N. WAHSATCH AVE. SUITE 301
COLORADO SPRINGS, COLORADO 80903
CONTACT: JEFF MARK
DRAWN: BRM
DESIGNED: RLS
CHECKED: RLS

STORM SEWER LATERAL 1

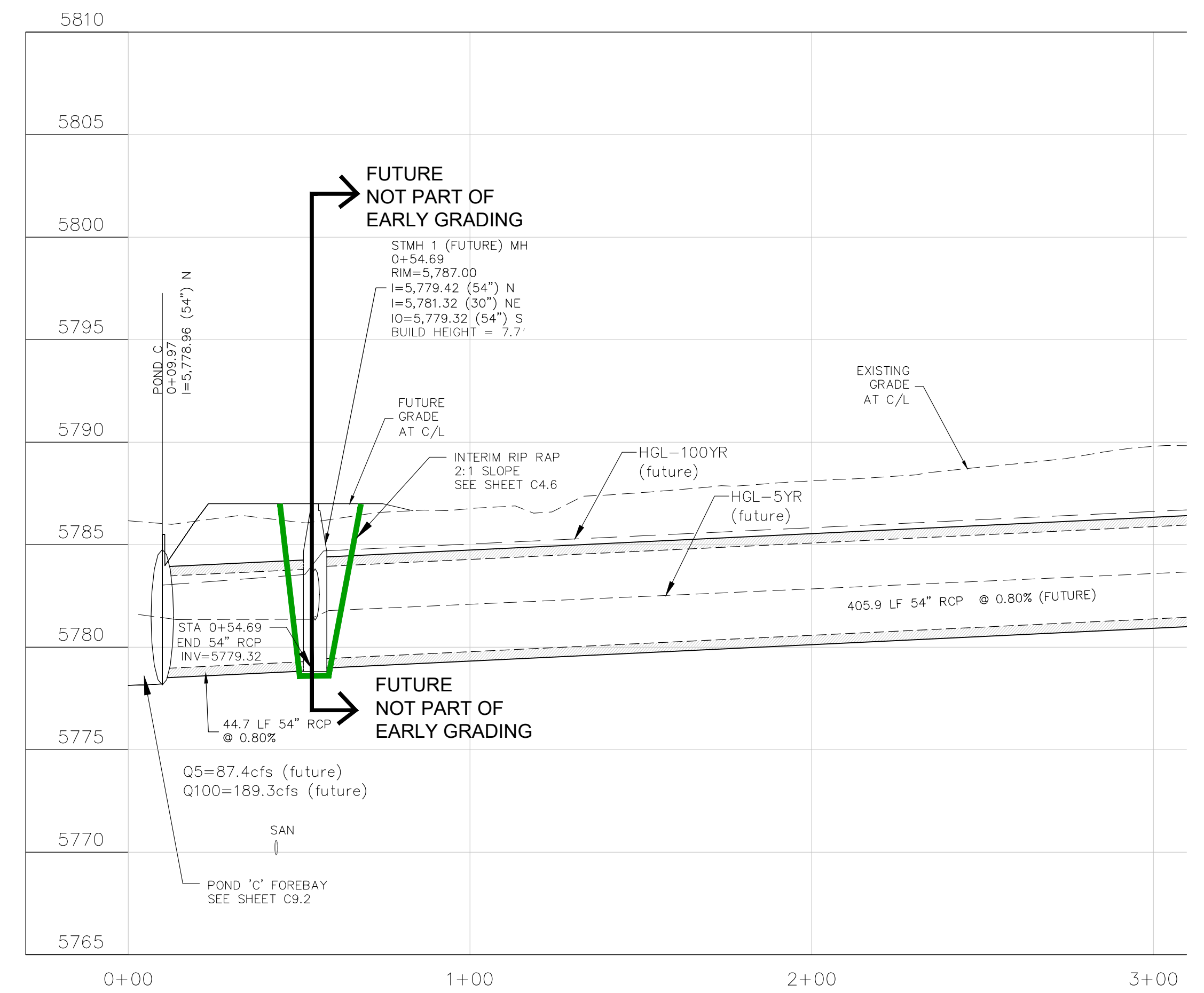
PRELIMINARY

DATE:
APR., 2026
PROJECT NO.
100.302
SHEET NUMBER
C7.1
TOTAL SHEETS: 25



STORM LATERAL "A"

NOTE:
 1. CONTRACTOR SHALL USE "TYLOX SUPER SEAL" OR APPROVED EQUIVALENT JOINT GASKET FOR ALL STORM SEWER JOINTS



PROFILE SCALE
 HORIZ. 1"=30'
 VERT. 1"=5'

CORE ENGINEERING GROUP
 15004 1ST AVENUE S.
 BURNING WOOD, MN 55306
 CONTACT: RICHARD L. SCHINDLER, P.E.
 EMAIL: Rich@cegi.com

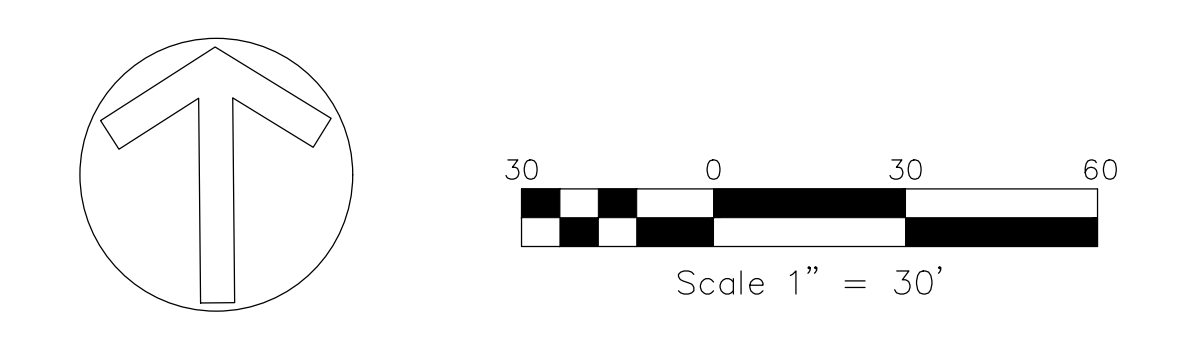
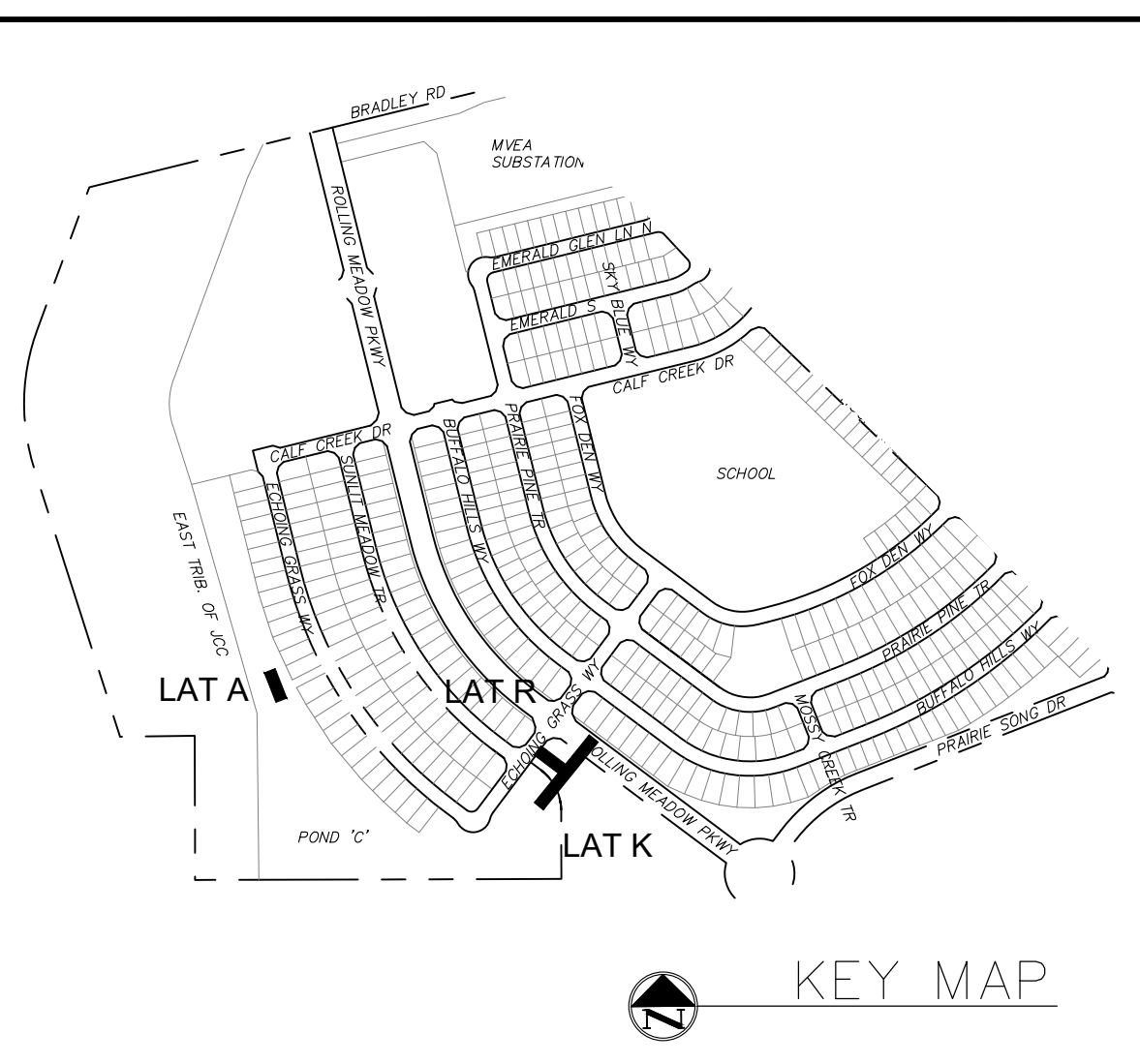
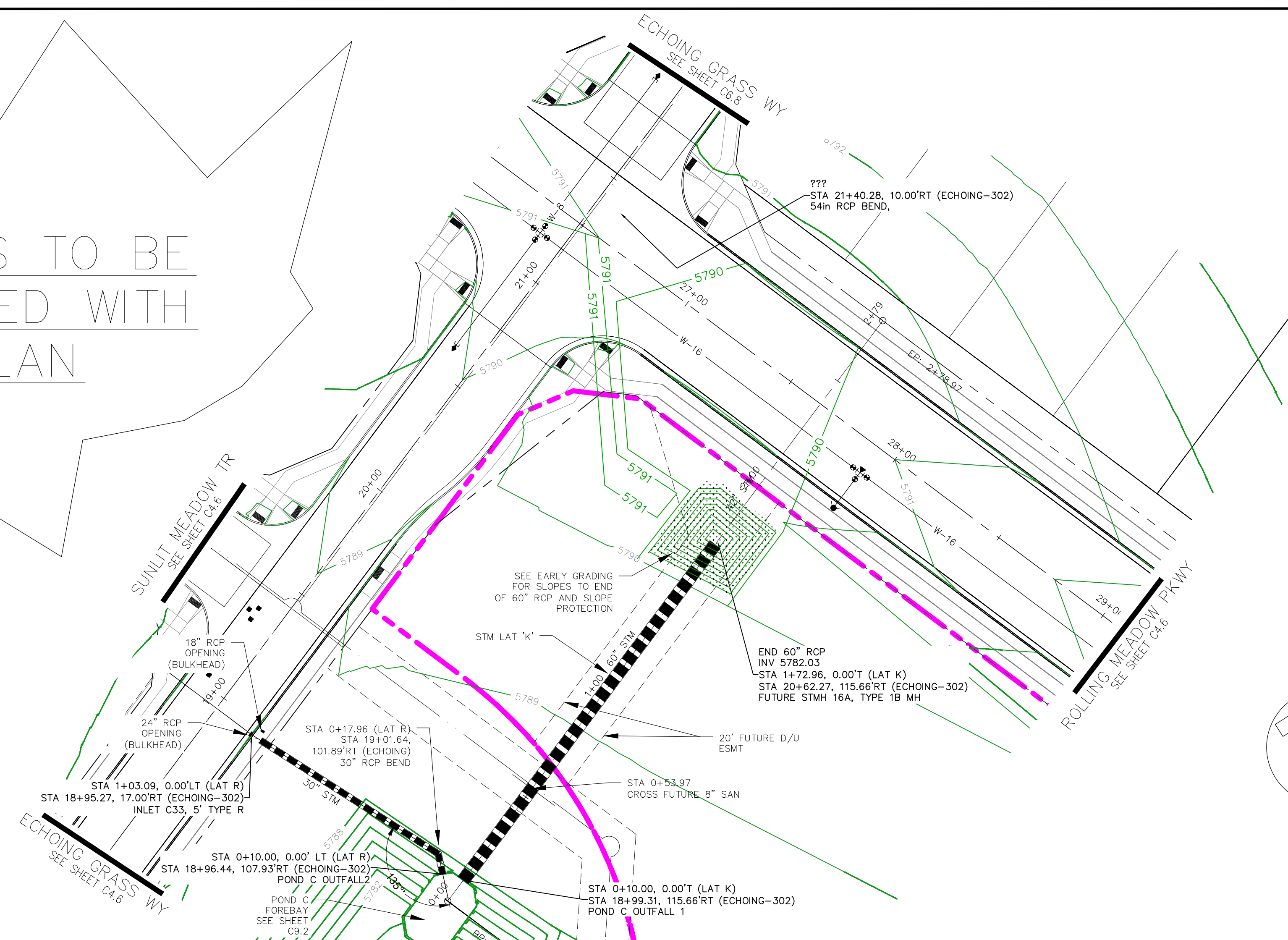
NO. ###	DESCRIPTION ###	DATE ###
PROJECT: ANTELOPE RIDGE AT BULL HILL PHASE 1	PREPARED FOR: EAGLE DEVELOPMENT	
FONTAINE BLVD./MARKSHEFFEL RD COLORADO SPRINGS, CO	212 N WAHSATCH AVE, SUITE 301 COLORADO SPRINGS, COLORADO 80903	
	CONTACT: JEFF MARK	

GRADING AND EROSION CONTROL DETAILS

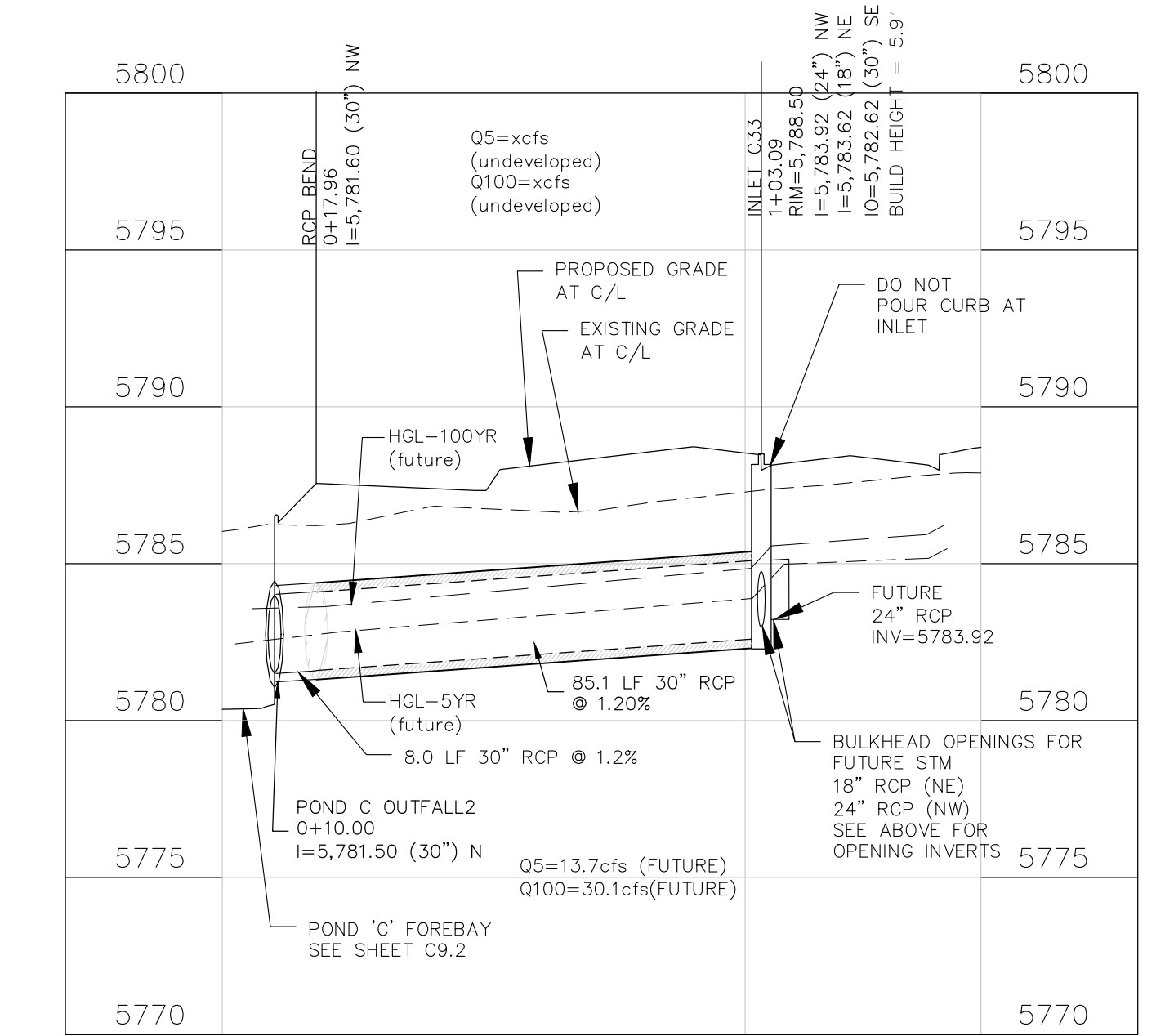
PRELIMINARY

DATE: APR., 2026
 PROJECT NO. 100.302
 SHEET NUMBER C7.2
 TOTAL SHEETS: 25

NO STREETS TO BE
CONSTRUCTED WITH
THIS PLAN



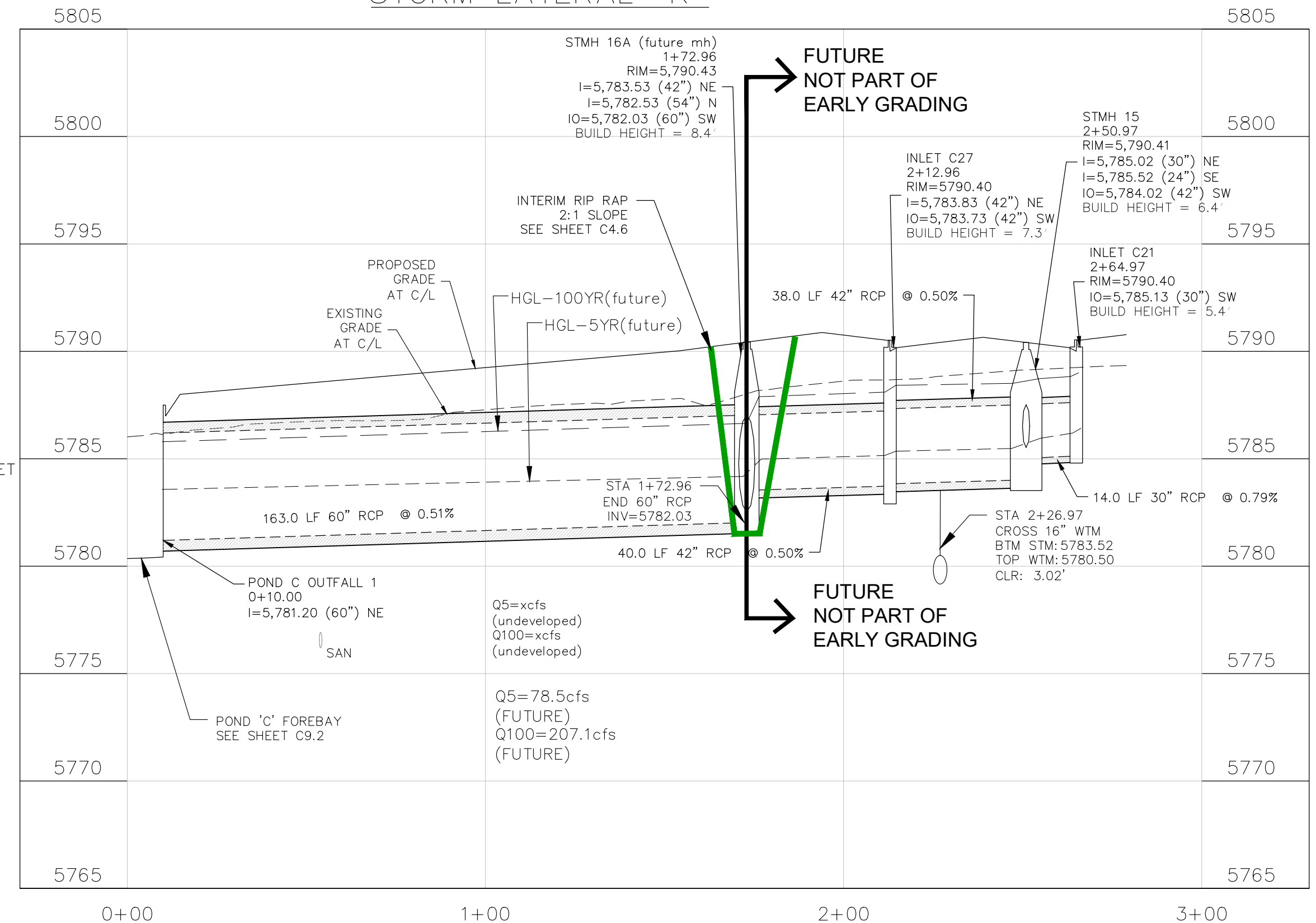
STORM LATERAL "R"



PROFILE SCALE
HORIZ. 1"=30'
VERT. 1"=5'

NOTE:
1. CONTRACTOR SHALL USE "TYLOX SUPER SEAL" OR APPROVED EQUIVALENT JOINT GASKET FOR ALL STORM SEWER JOINTS

STORM LATERAL "K"



CORE ENGINEERING GROUP
15004 1ST AVENUE S.
BURNING WOOD, MN 55306
CONTACT: RICHARD L. SCHINDLER, P.E.
EMAIL: Rich@cegi.com

PROJECT:
ANTELOPE RIDGE AT BULL HILL PHASE 1
FONTAINE BLVD./MARKSHEFFEL RD
COLORADO SPRINGS, CO

PREPARED FOR:
EAGLE DEVELOPMENT
212 N. WAHSATCH AVE. SUITE 301
COLORADO SPRINGS, COLORADO 80903
(719) 635-3200
CONTACT: JEFF MARK

NO. ###
DATE ###
DESCRIPTION ###

DRAWN: BRM
DESIGNED: RLS
CHECKED: RLS

GRADING AND EROSION CONTROL
DETAILS

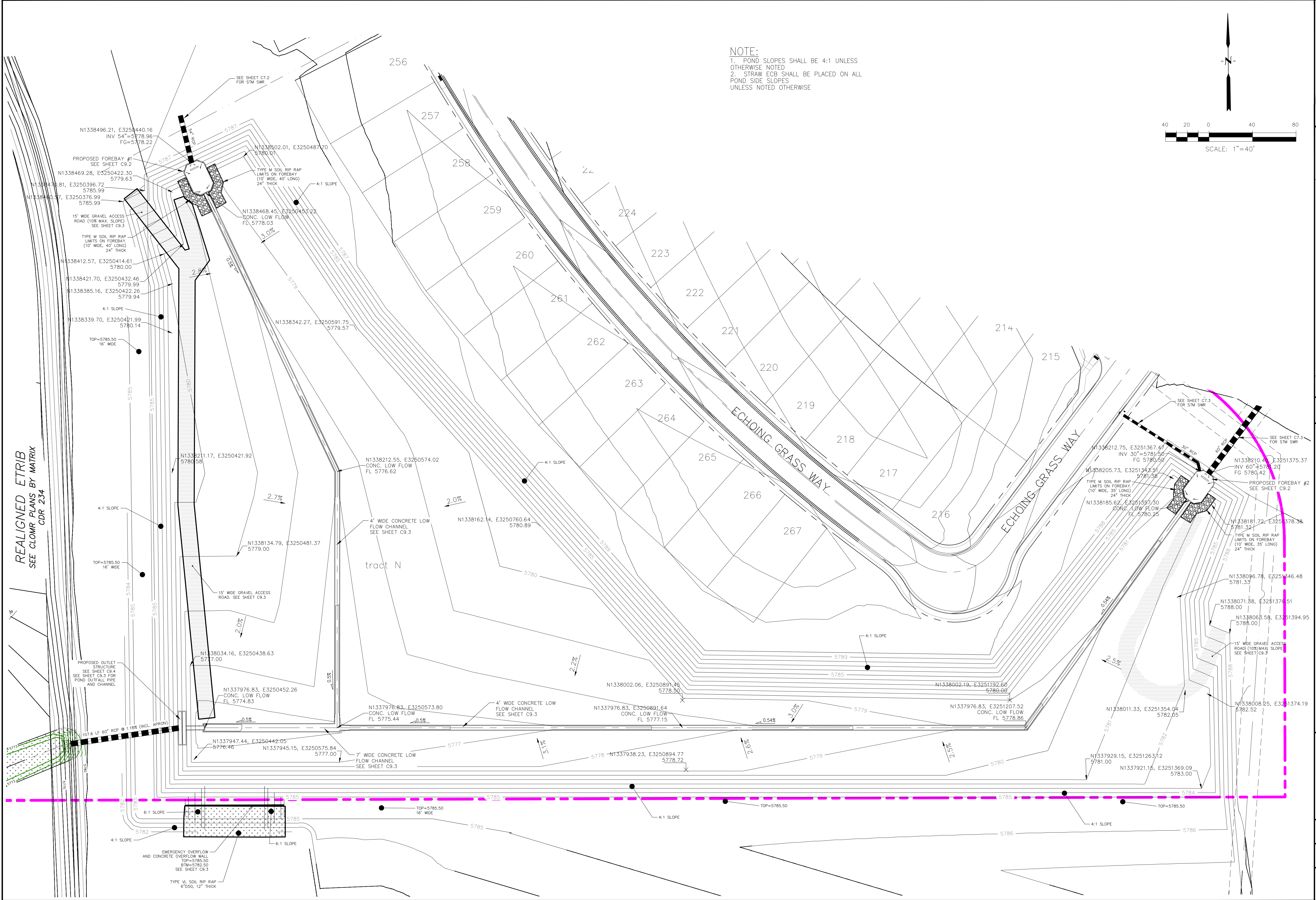
PRELIMINARY

DATE:
APR., 2026

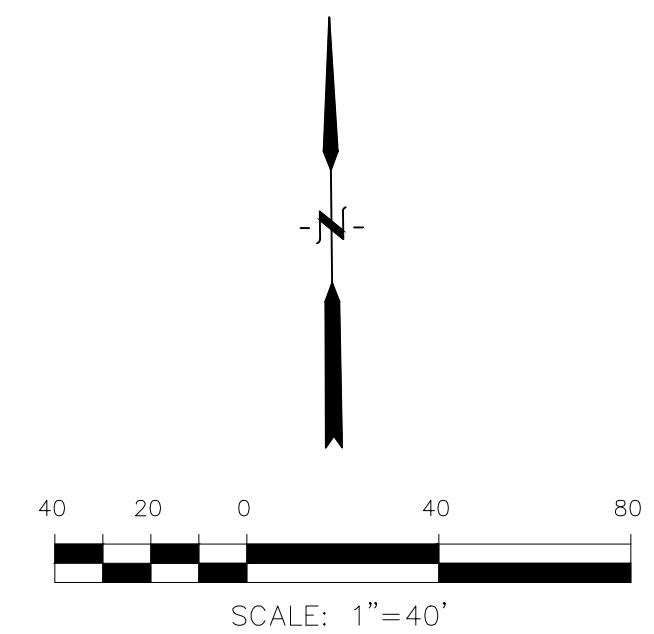
PROJECT NO.
100.302

SHEET NUMBER
C7.3

TOTAL SHEETS: 25



NOTE:
 1. POND SLOPES SHALL BE 4:1 UNLESS OTHERWISE NOTED
 2. STRAW ECB SHALL BE PLACED ON ALL POND SIDE SLOPES UNLESS NOTED OTHERWISE



REALIGNED ETRB
 SEE CLOMP PLANS BY MATRIX
 CDR 234

CORE ENGINEERING GROUP
 15004 1ST AVENUE S.
 BURNING WOOD, CO 80906
 CONTACT: RICHARD L. SCHINDLER, P.E.
 EMAIL: Rich@cegi.com

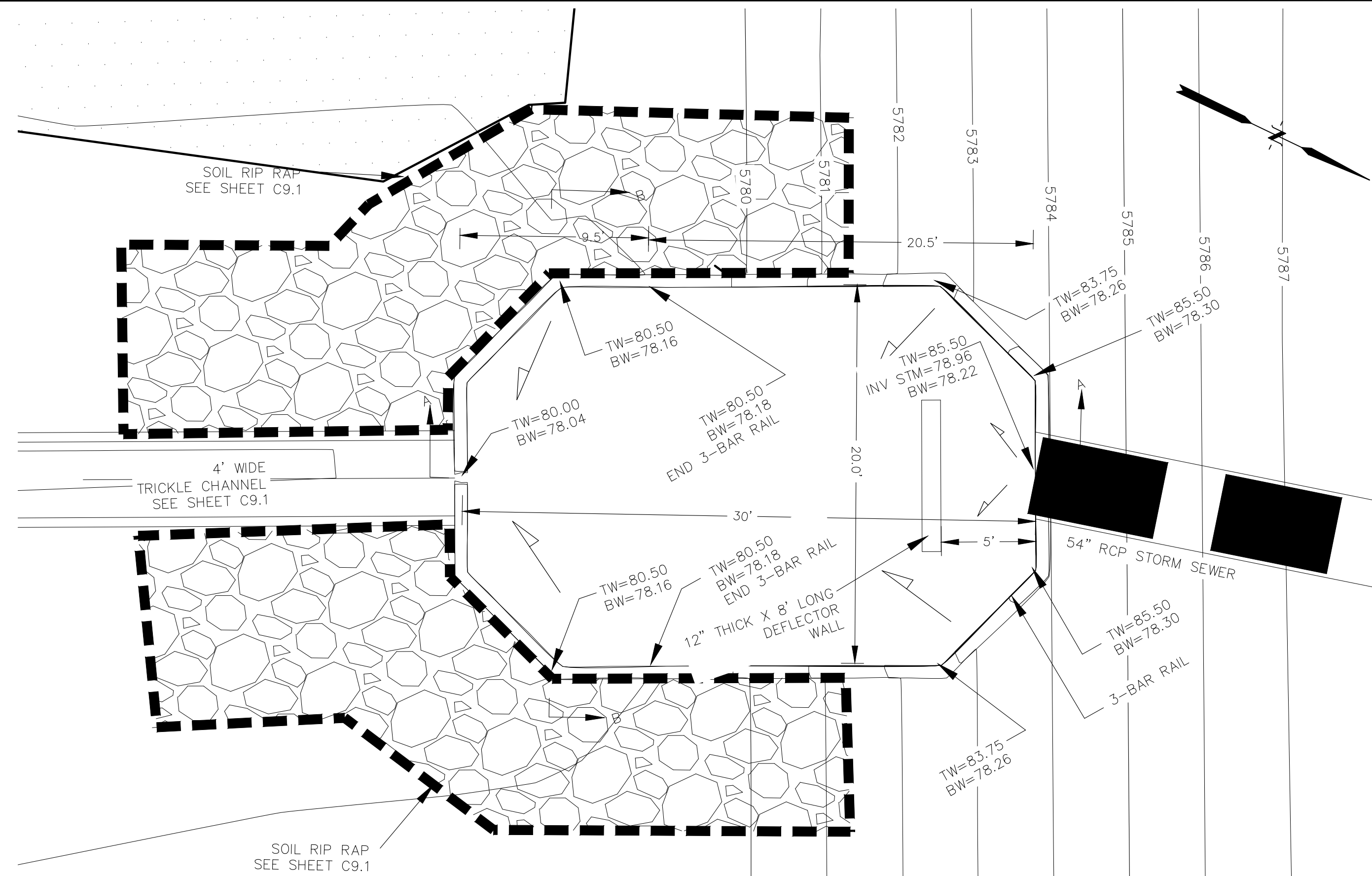
DATE: ###
 NO. ###
 DESCRIPTION: ###
 PREPARED FOR: EAGLE DEVELOPMENT
 212 N. WAHSATCH AVE. SUITE 301
 COLORADO SPRINGS, COLORADO 80903
 CONTACT: JEFF MARK
 PROJECT: ANTELOPE RIDGE AT BULL HILL PHASE 1
 FONTAINE BLVD./MARKSHEFFEL RD
 COLORADO SPRINGS, CO

DRAWN: BRN
 DESIGNED: RLS
 CHECKED: RLS

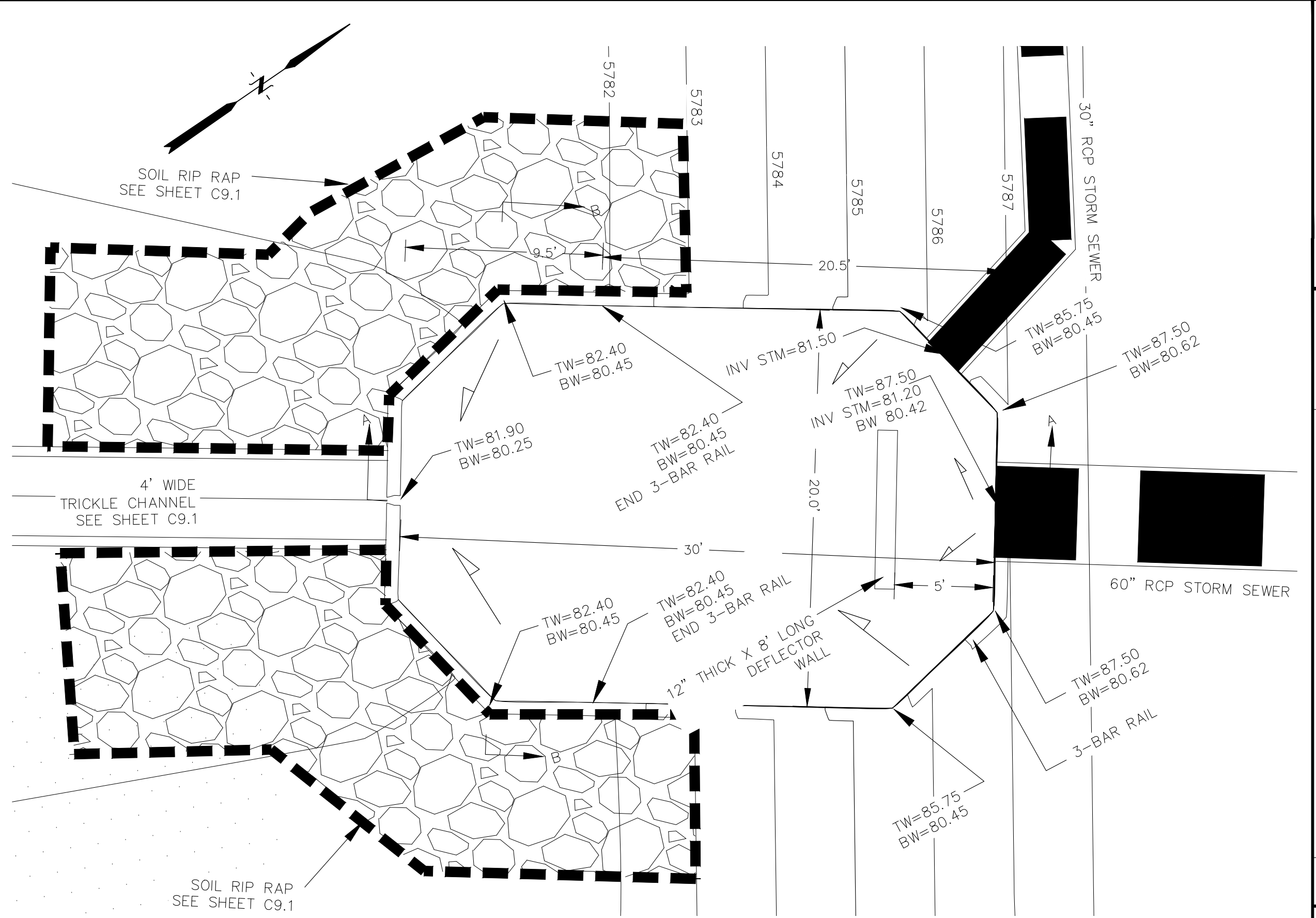
POND 'C'
 POND GRADING AND
 LOW FLOW CHANNEL

PRELIMINARY

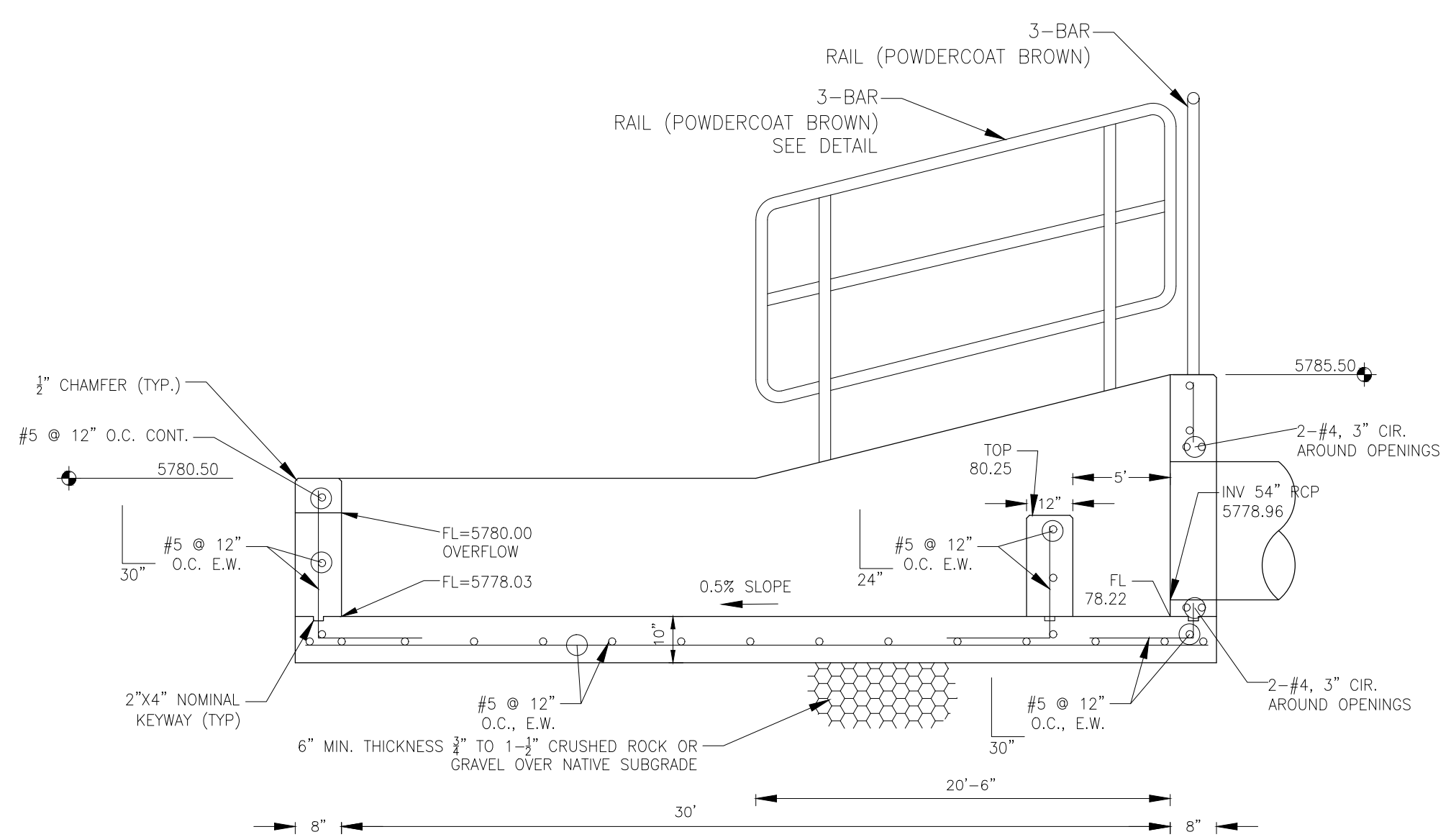
DATE: APR., 2026
 PROJECT NO. 100.302
 SHEET NUMBER C9.1
 TOTAL SHEETS: 25



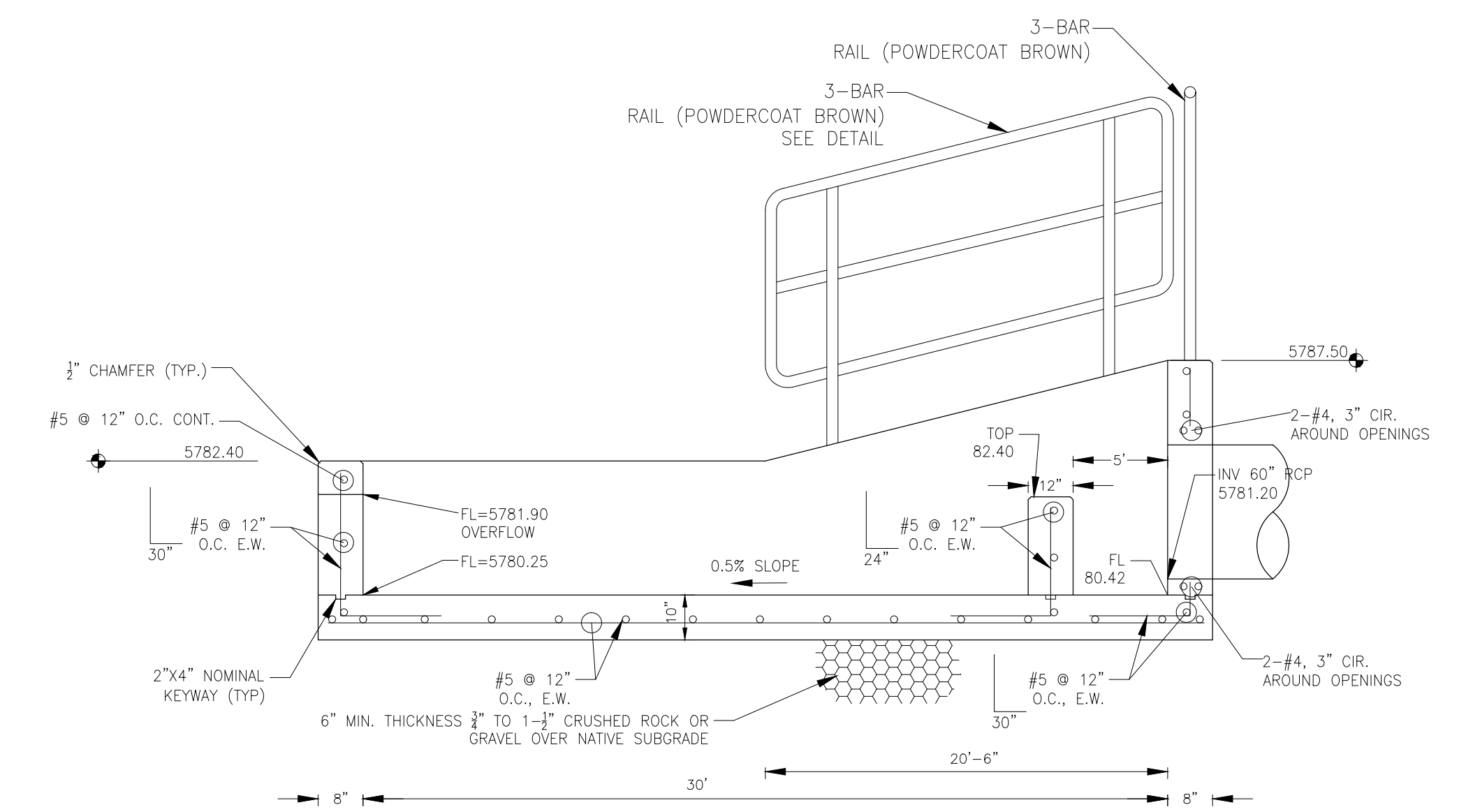
FOREBAY NO. 1 DETAIL
SCALE: 1"=5'



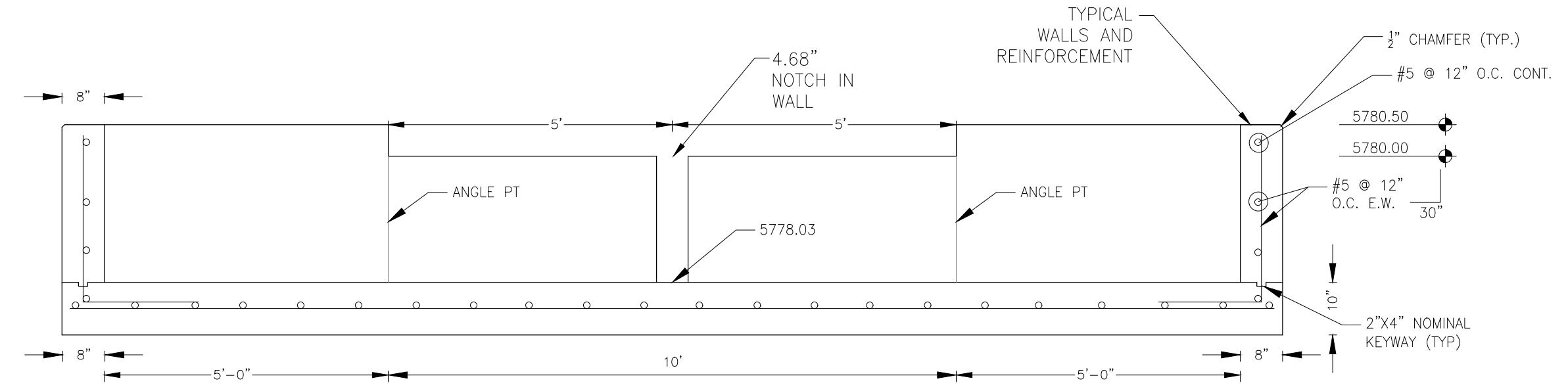
FOREBAY NO. 2
SCALE: 1"=5'



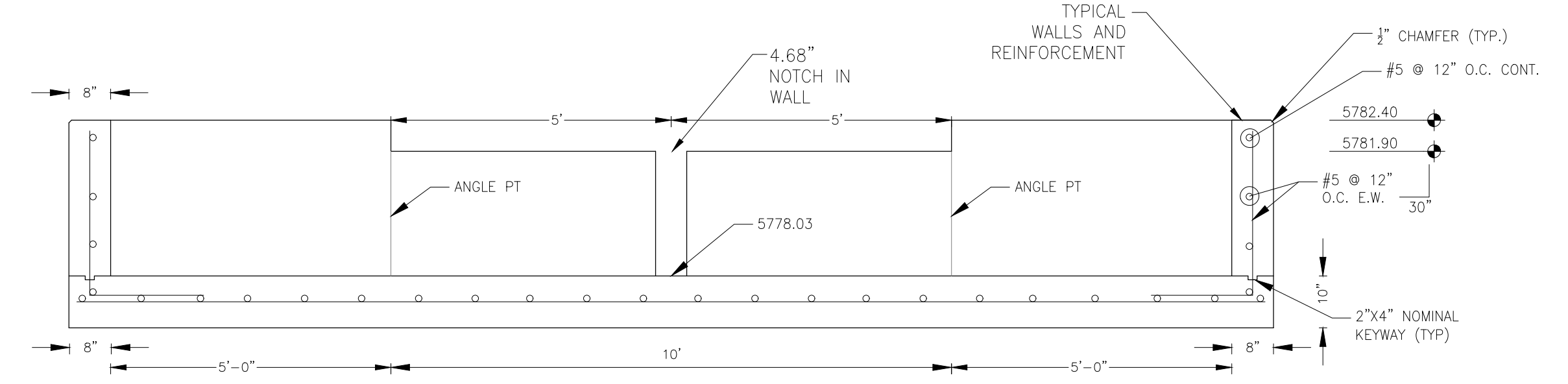
FOREBAY NO. 1 SECTION A-A
NO SCALE



FOREBAY NO. 2 SECTION A-A
NO SCALE



FOREBAY NO. 1 SECTION B-B
NO SCALE



FOREBAY NO. 2 SECTION B-B
NO SCALE

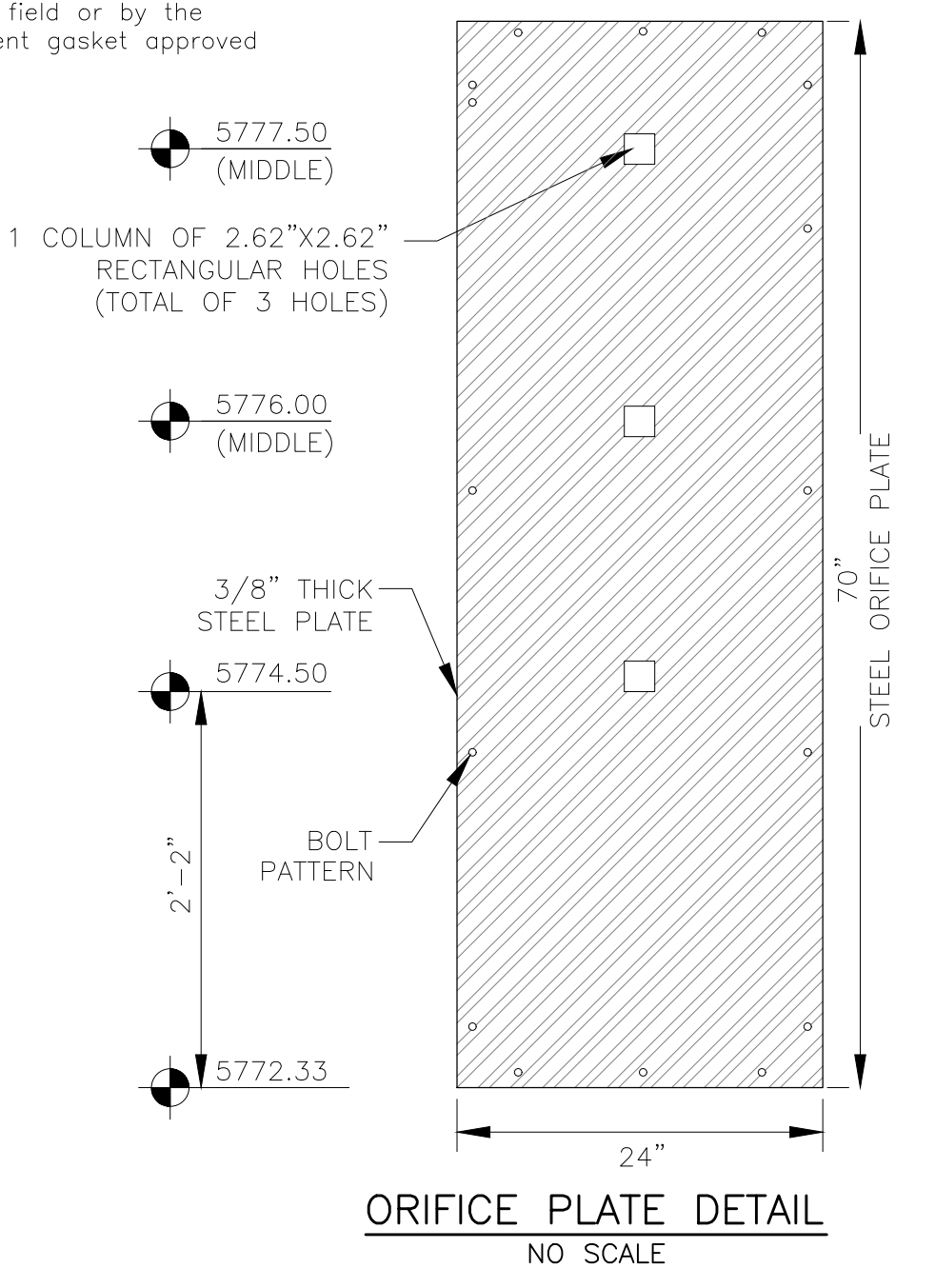
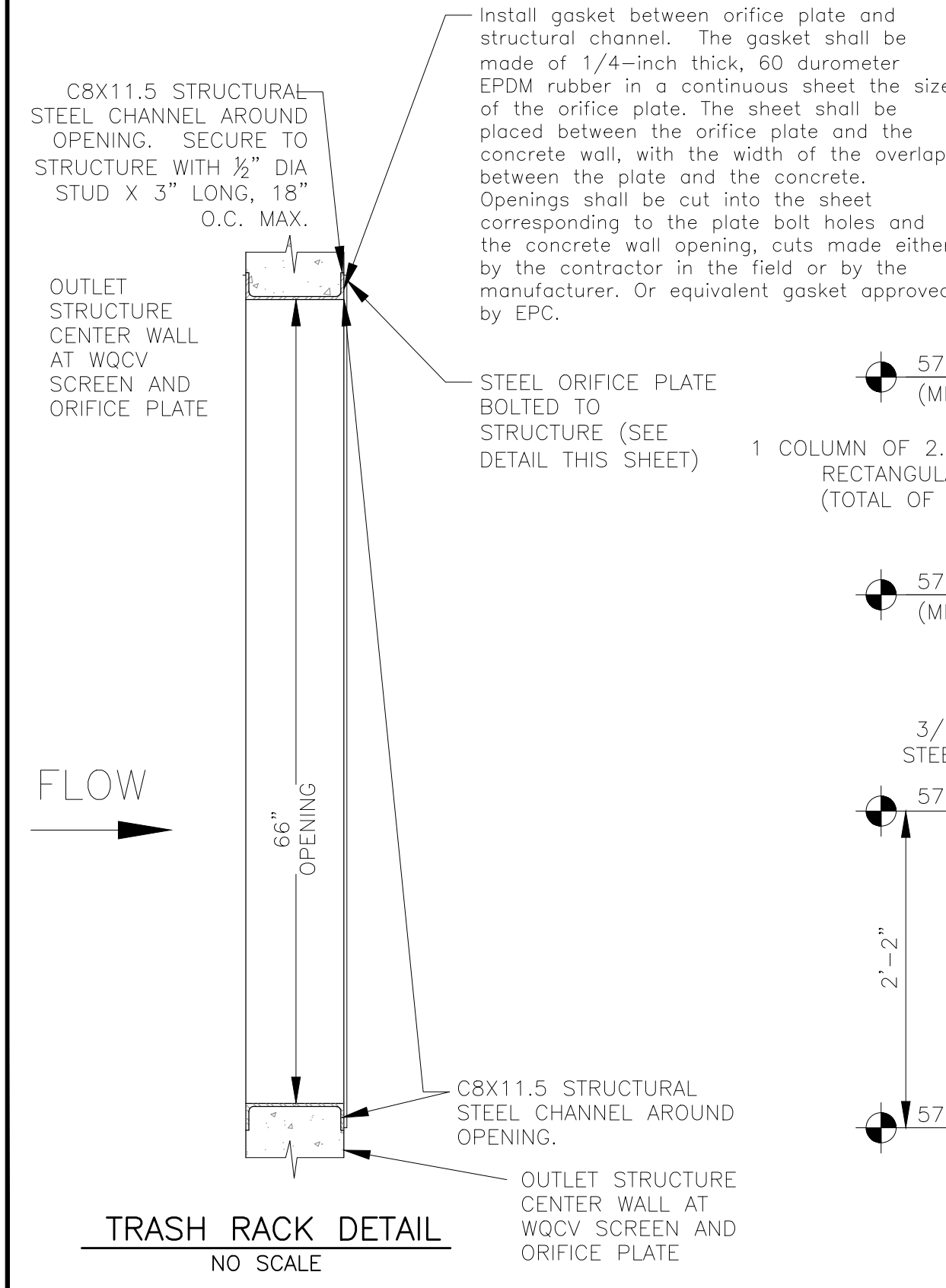
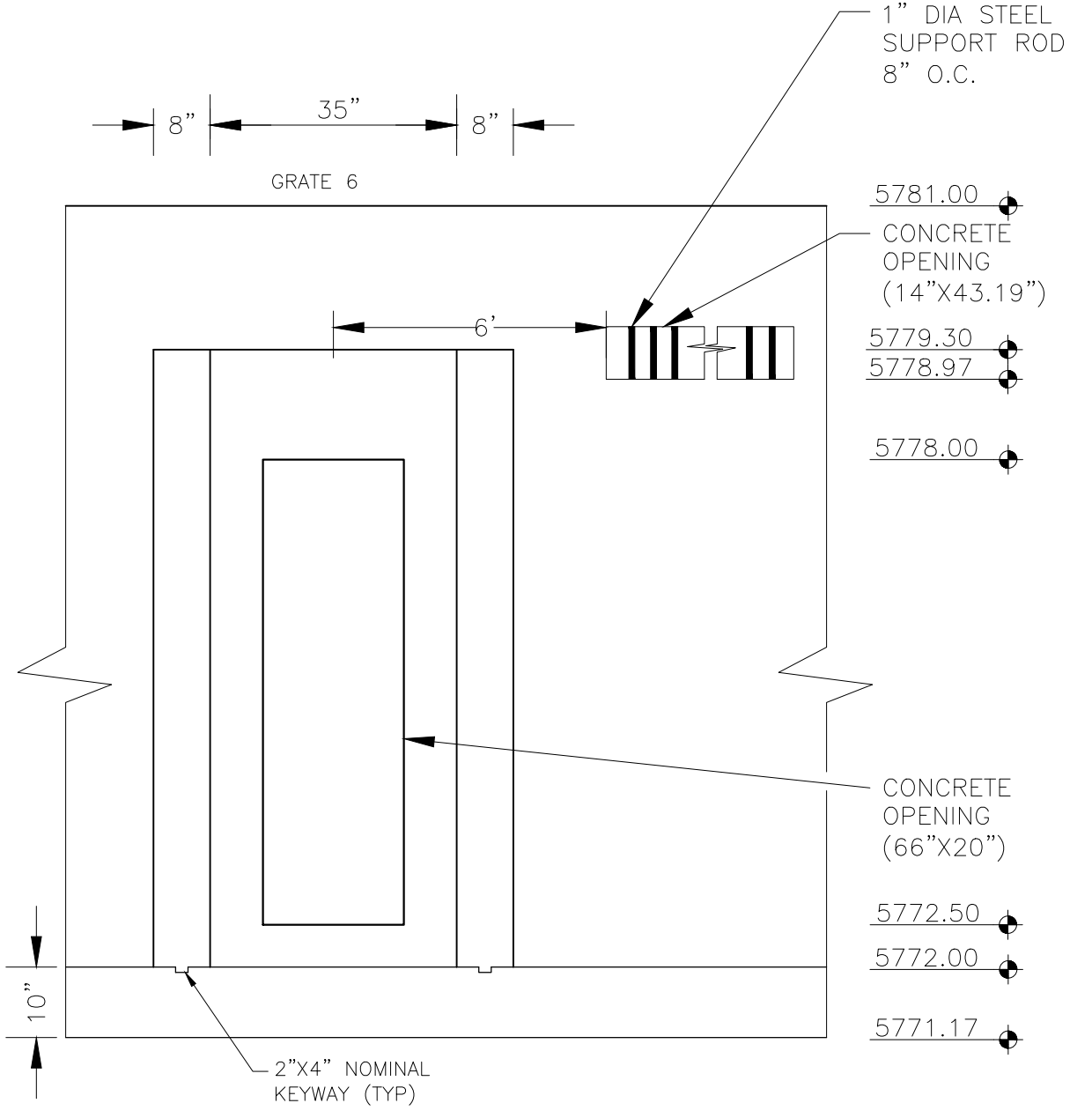
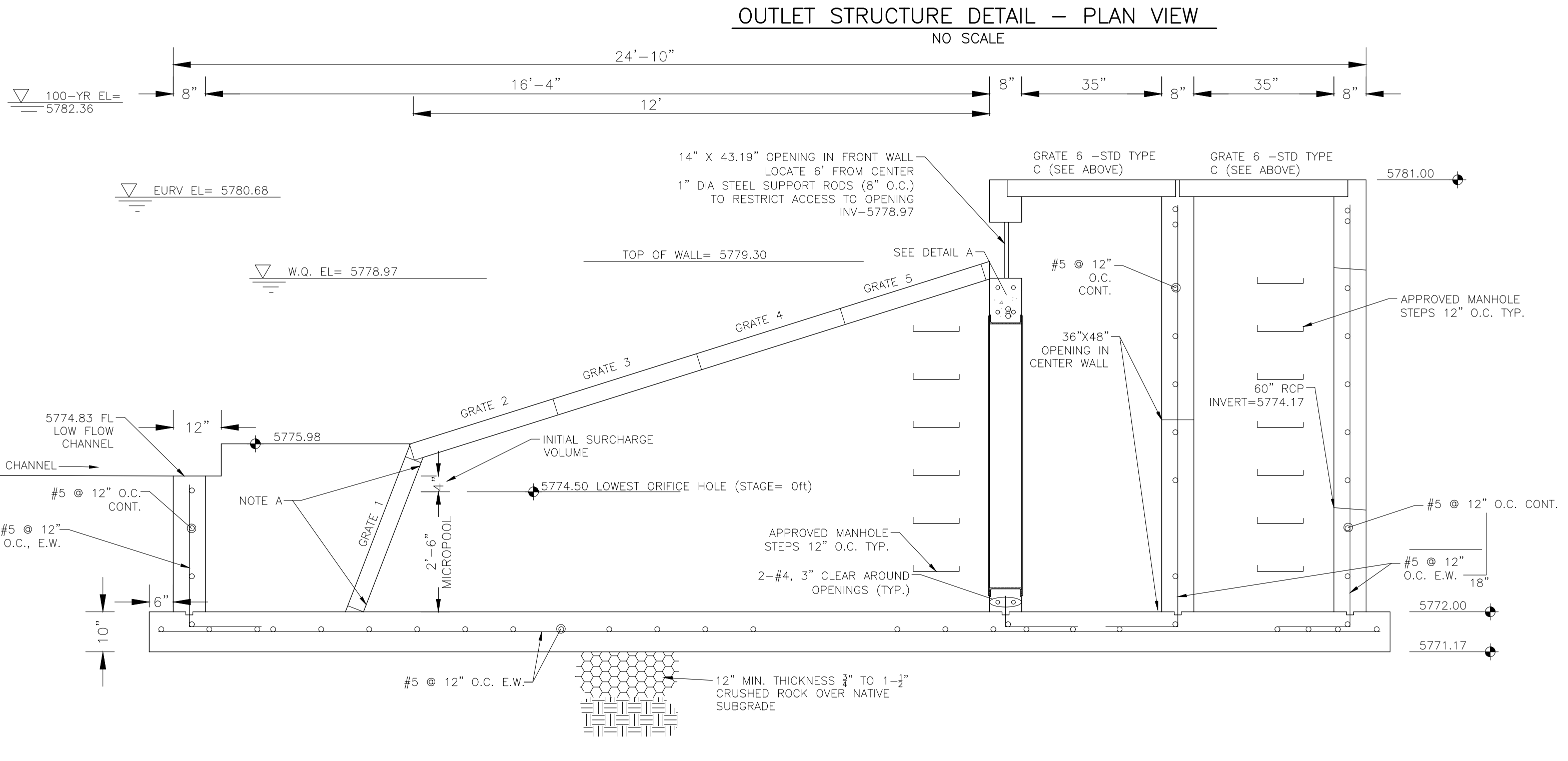
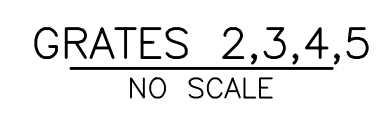
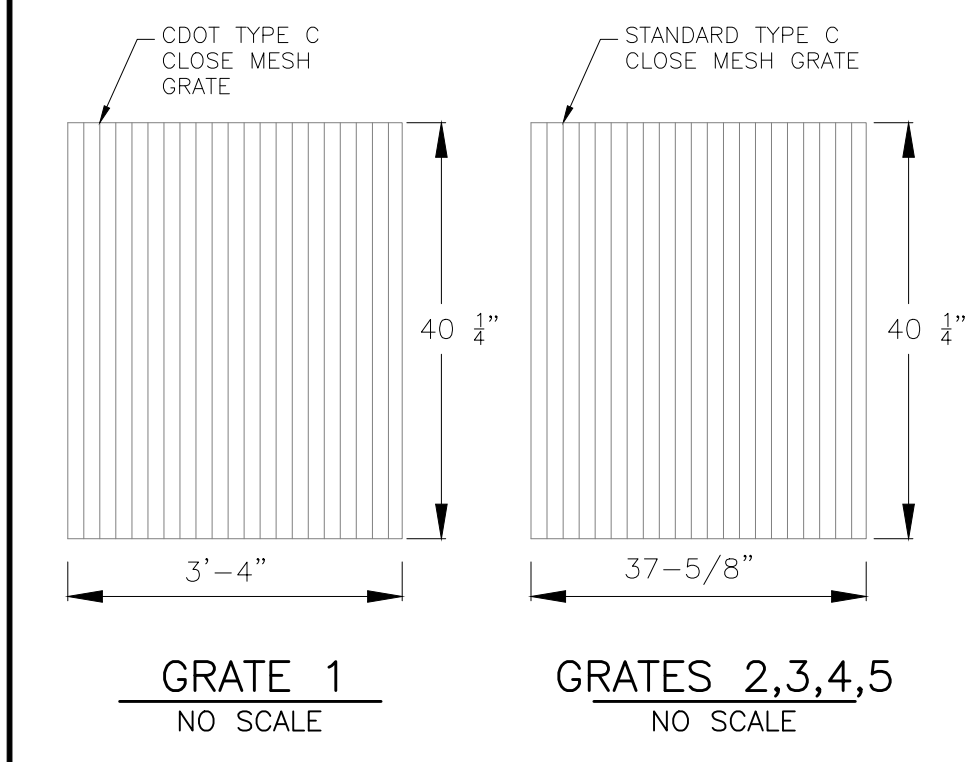
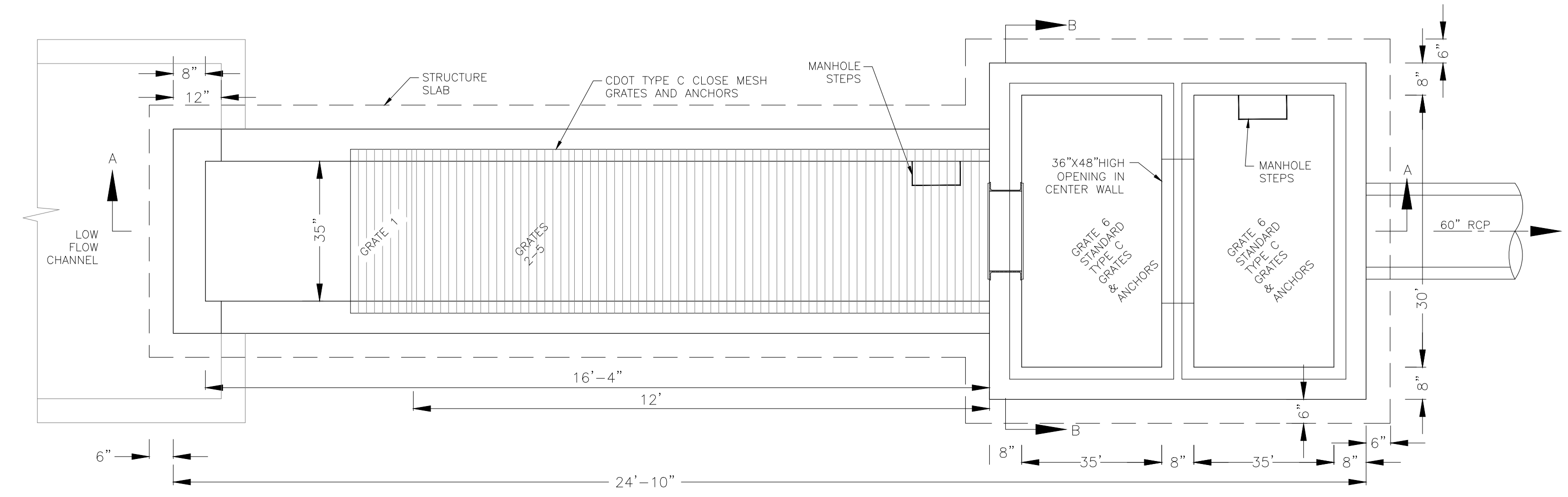
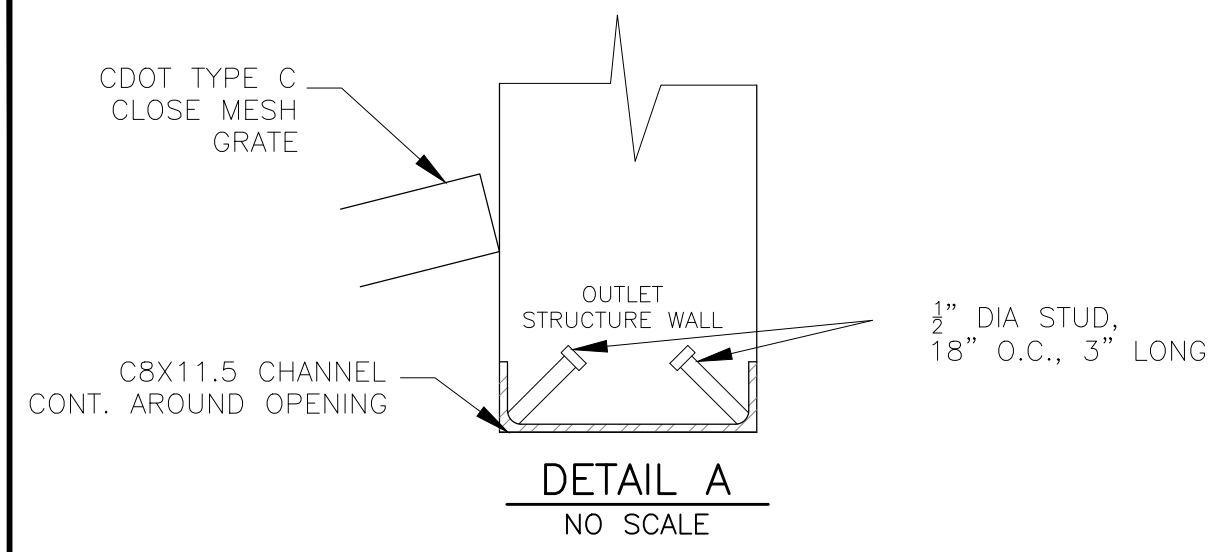
CORE
ENGINEERING GROUP
15004 1ST AVENUE S.
BURNING WOOD, CO 80906
CONTACT: RICHARD L. SCHINDLER, P.E.
EMAIL: Rich@cegi.com

DATE: ###
DESCRIPTION: ###
NO. ###
PROJECT: ANTELOPE RIDGE AT BULL HILL PHASE 1
FONTAINE BLVD./MARKSHEFFEL RD
COLORADO SPRINGS, CO
PREPARED FOR: EAGLE DEVELOPMENT
212 N. WAHSATCH AVE. SUITE 301
COLORADO SPRINGS, COLORADO 80903
CONTACT: JEFF MARK
DRAWN: BRN
DESIGNED: RLS
CHECKED: RLS

POND 'C'
FOREBAYS

PRELIMINARY

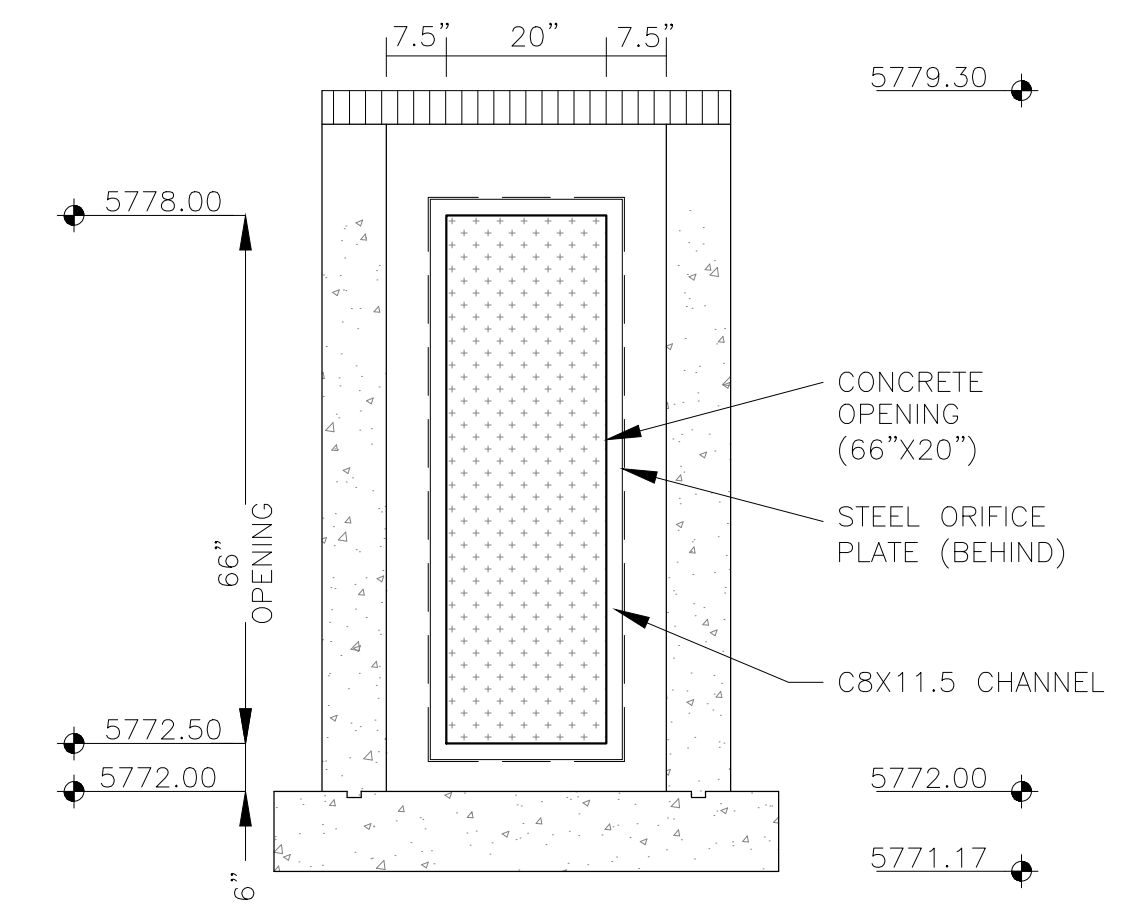
DATE: APR., 2026
PROJECT NO. 100.302
SHEET NUMBER C9.2
TOTAL SHEETS: 25



OUTLET STRUCTURE, FOREBAY, AND DRAIN CHANNEL NOTES:

- PRIOR TO CONSTRUCTION, CONTRACTOR SHALL PROVIDE SHOP DRAWINGS FOR ALL COMPONENTS OF THE OUTLET STRUCTURE.
- GRADE 60 REINFORCING STEEL REQUIRED. SEE TABLE FOR THE MINIMUM LAP SPLICE LENGTH FOR REINFORCING BARS. ALL REINFORCING STEEL SHALL HAVE A TWO-INCH MINIMUM CLEARANCE FROM EDGE OF CONCRETE, UNLESS OTHERWISE NOTED.
- CONCRETE FOR THE OUTLET STRUCTURE AND FOREBAY SHALL BE CDOT CLASS D CONCRETE.
- CONCRETE FOR DRAIN CHANNELS SHALL BE CDOT CLASS B CONCRETE
- EXPANSION JOINT MATERIAL SHALL MEET AASHTO SPECIFICATION M-213. EXPANSION JOINT MATERIAL SHALL BE 1/2" THICK, SHALL EXTEND THE FULL DEPTH OF CONTACT SURFACE AND THE JOINT SHALL BE SEALED, REFER TO DETAILS.
- ALL EXPOSED CONCRETE CORNERS SHALL HAVE A 3/8" CHAMFER UNLESS OTHERWISE NOTED.
- SUBGRADE TO BE 12" THICK CLEAN FILL COMPACTED TO 95% STANDARD PROCTOR DENSITY PER ASTM M698 UNDER STRUCTURE.
- REFER TO POND DETAILS FOR PRESEDIMENTATION/FOREBAY DESIGN.
- ENGINEER SHALL BE NOTIFIED PRIOR TO BEGINNING CONSTRUCTION OF OUTLET STRUCTURE TO SCHEDULE OBSERVATION VISITS FOR STRUCTURES.

BAR SIZE	#4	#5	#6
MIN. SPLICE LENGTH	1'-3"	1'-7"	2'-0"



CORE ENGINEERING GROUP
 15004 1ST AVENUE S.E.
 BIRMGHAM, AL 35206
 CONTACT: RICHARD L. SCHINDLER, P.E.
 EMAIL: Rich@cegi.com

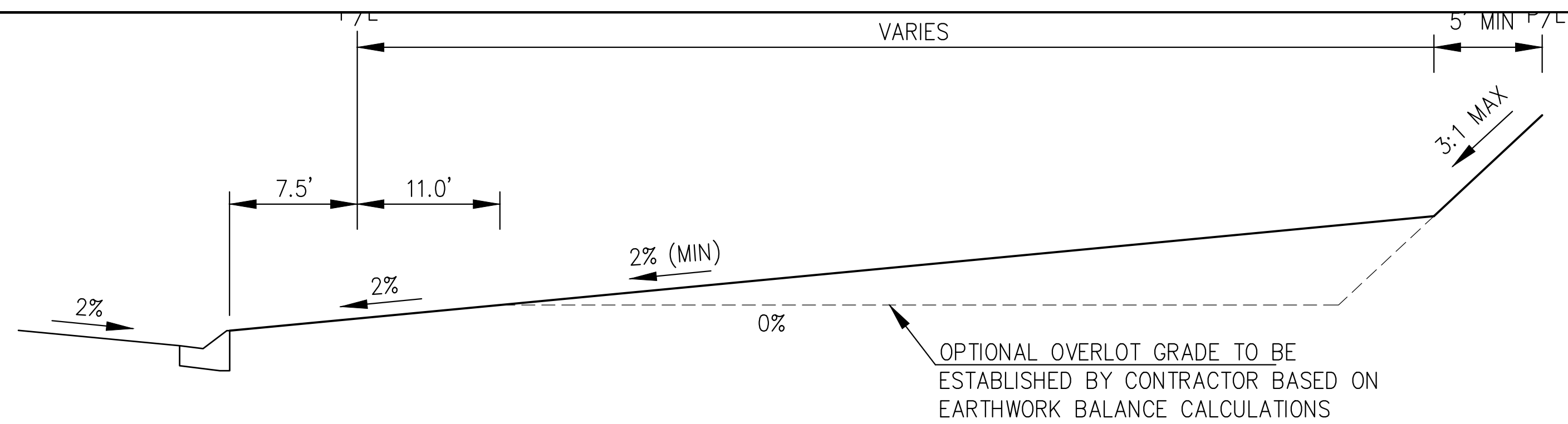
DATE: ###
 DESCRIPTION: ###
 NO. ###
 PROJECT: ANTELOPE RIDGE AT BULL HILL PHASE 1
 FONTAINE BLVD./MARKSHEFFEL RD
 COLORADO SPRINGS, CO
 PREPARED FOR: EAGLE DEVELOPMENT
 212 N WAHSATCH AVE, SUITE 301
 COLORADO SPRINGS, COLORADO 80903
 (719) 635-3200
 CONTACT: JEFF MARK

DRAWN: BRN
 DESIGNED: RLS
 CHECKED: RLS

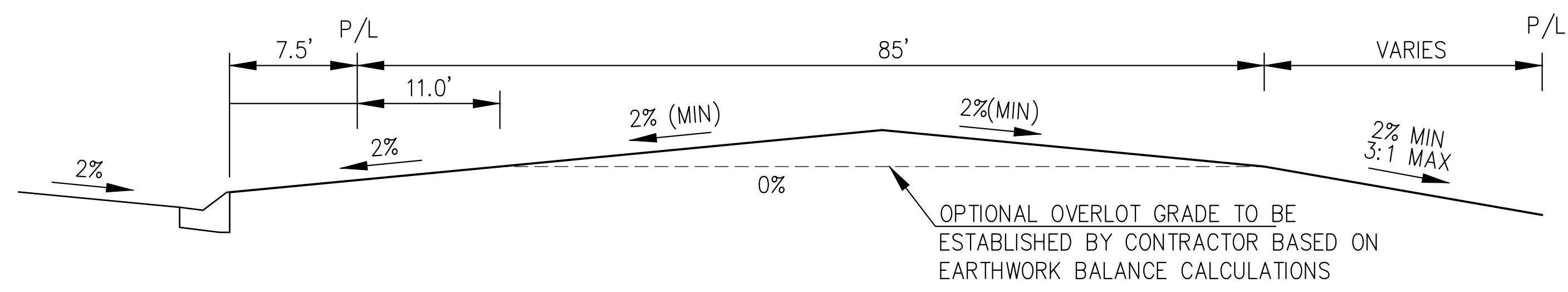
POND 'C'
FULL SPECTRUM / WQ POND
OUTLET STRUCTURE DETAILS

PRELIMINARY

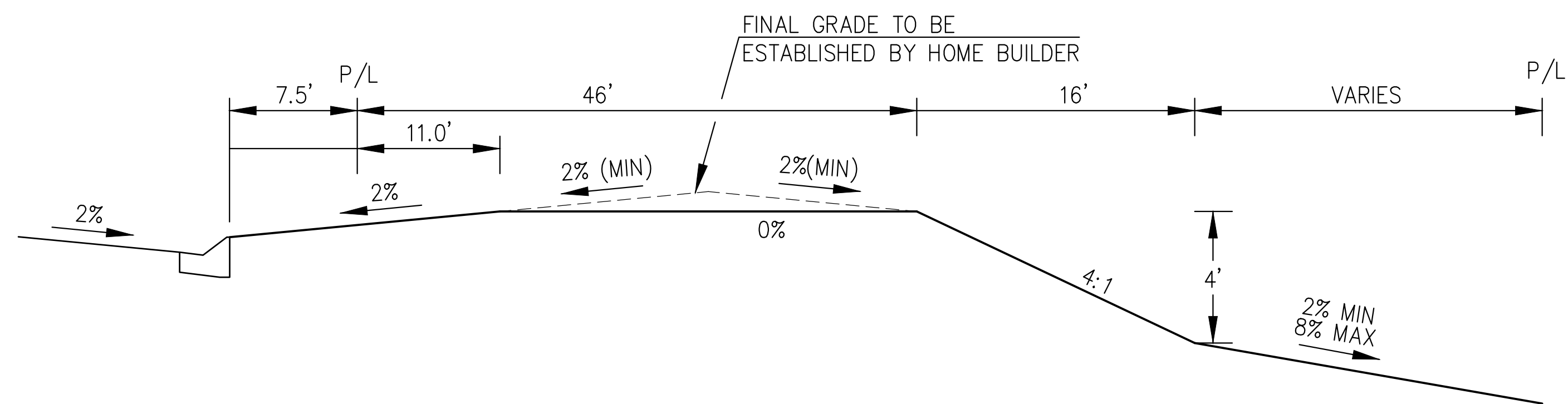
DATE: APR., 2026
 PROJECT NO. 100.302
 SHEET NUMBER C9.4
 TOTAL SHEETS: 25



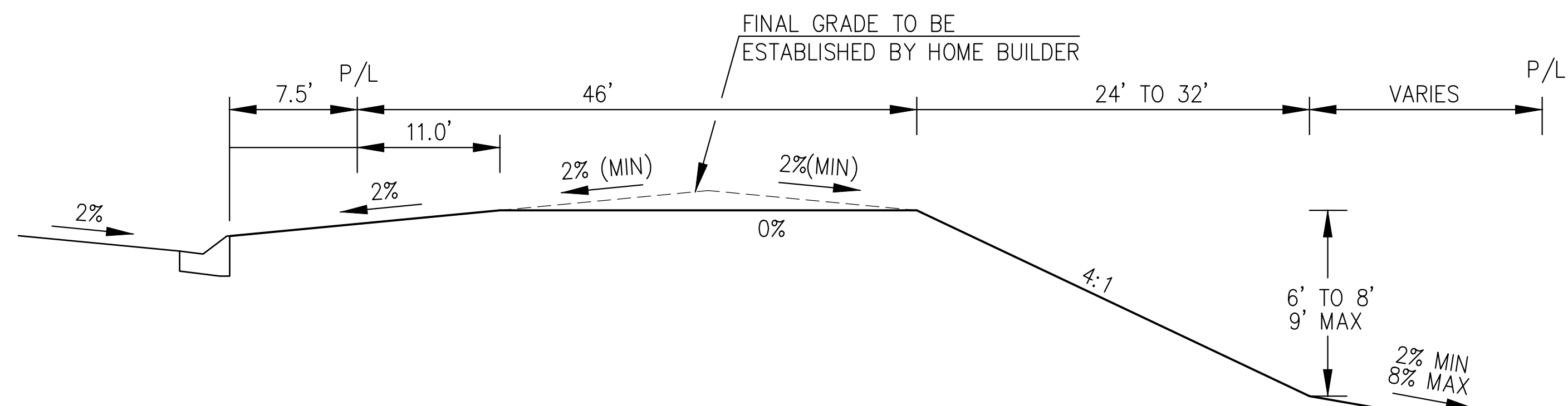
TYPICAL "A" LOT



TYPICAL "B" LOT

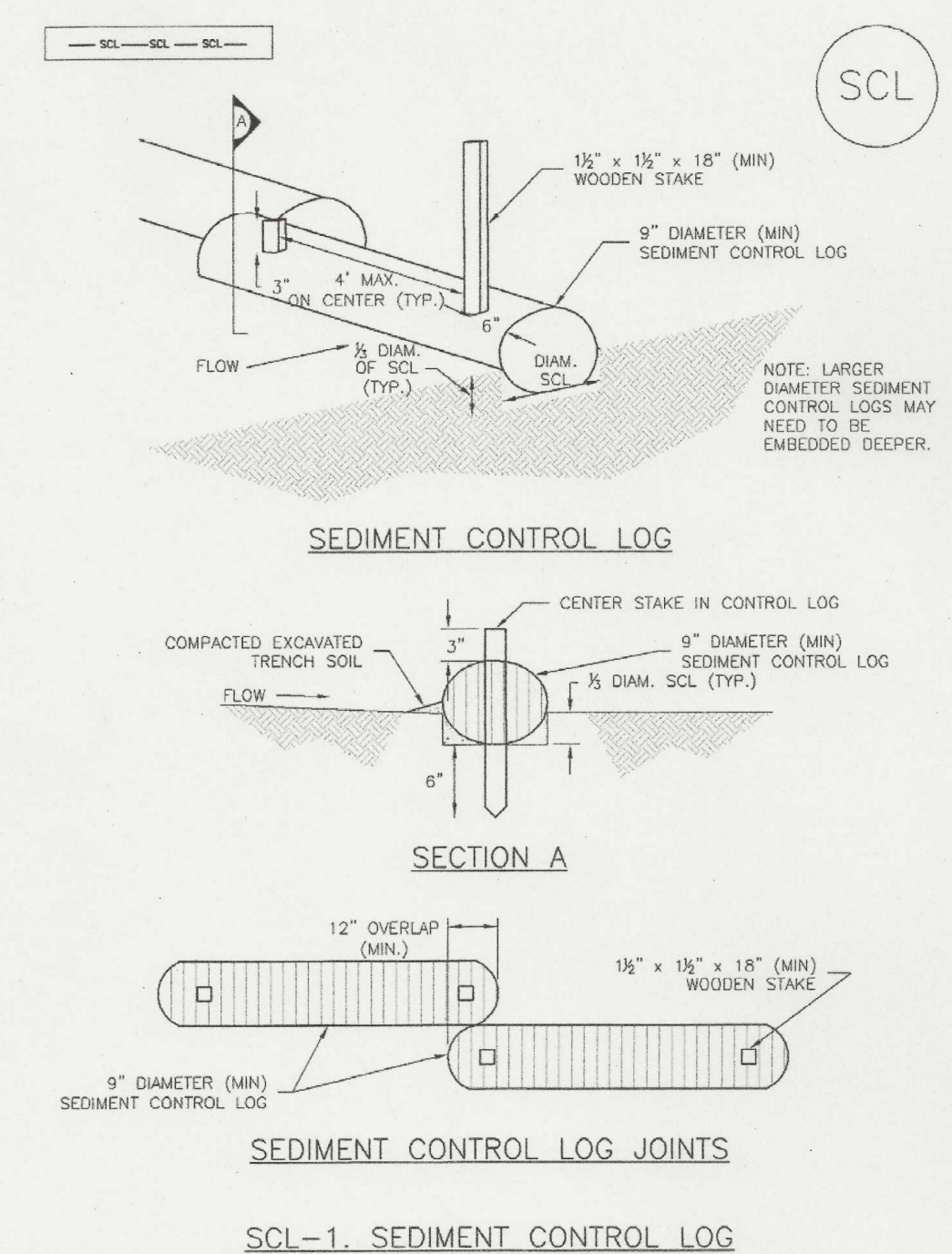


TYPICAL "GARDEN" LOT



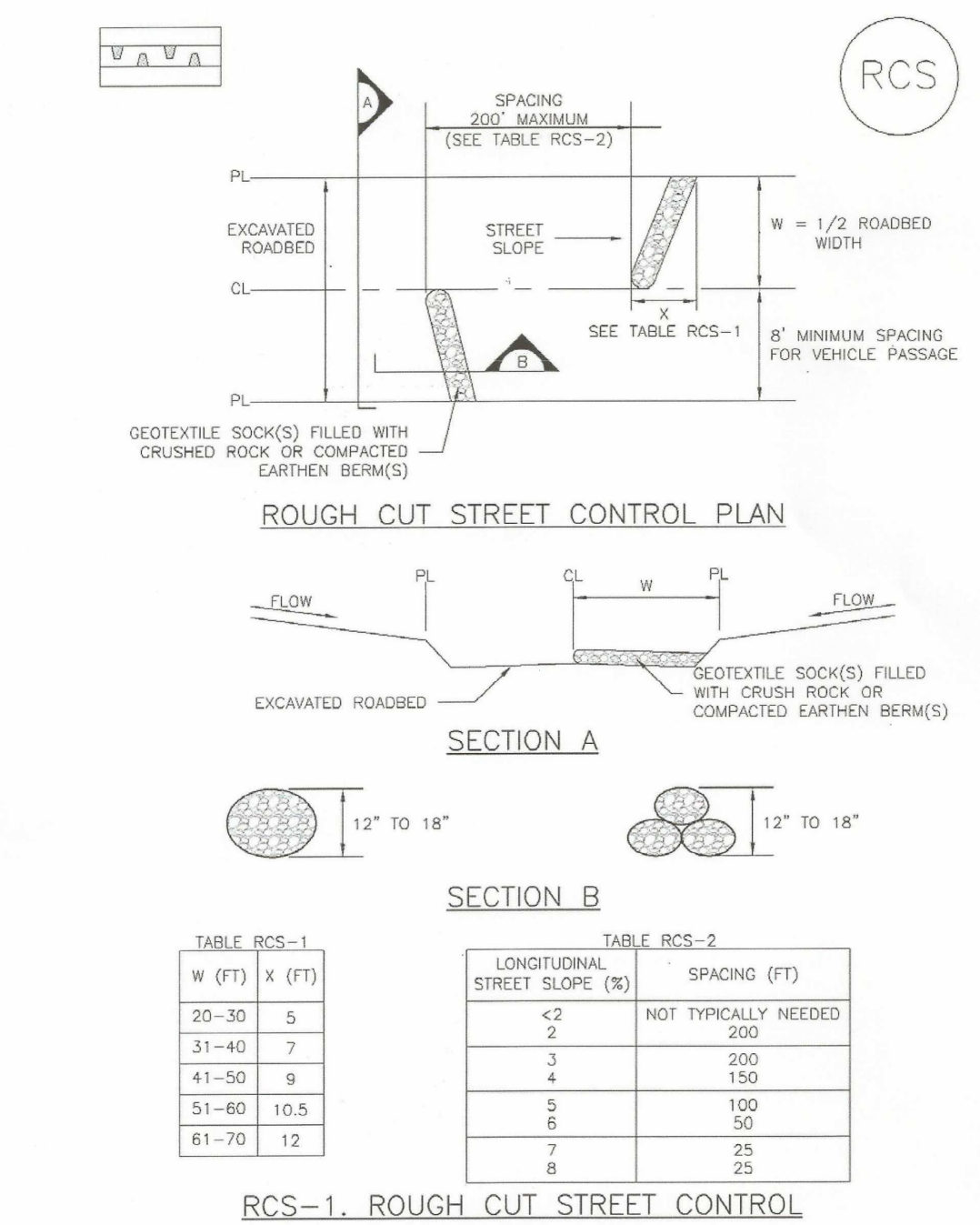
TYPICAL "WALKOUT" LOT

Sediment Control Log (SCL) SC-2



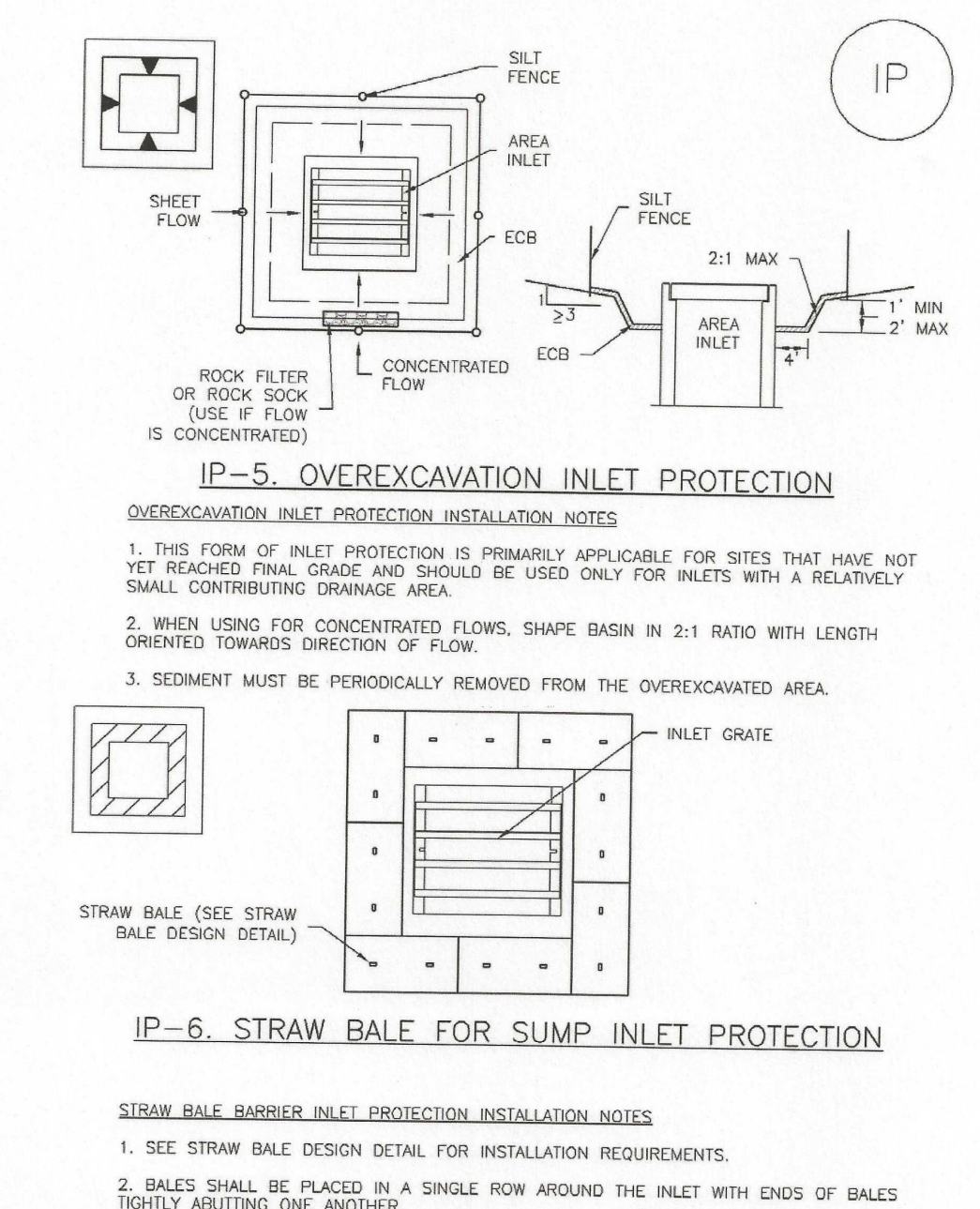
November 2010 Urban Drainage and Flood Control District Urban Storm Drainage Criteria Manual Volume 3 SCL-3

EC-9 Rough Cut Street Control (RCS)

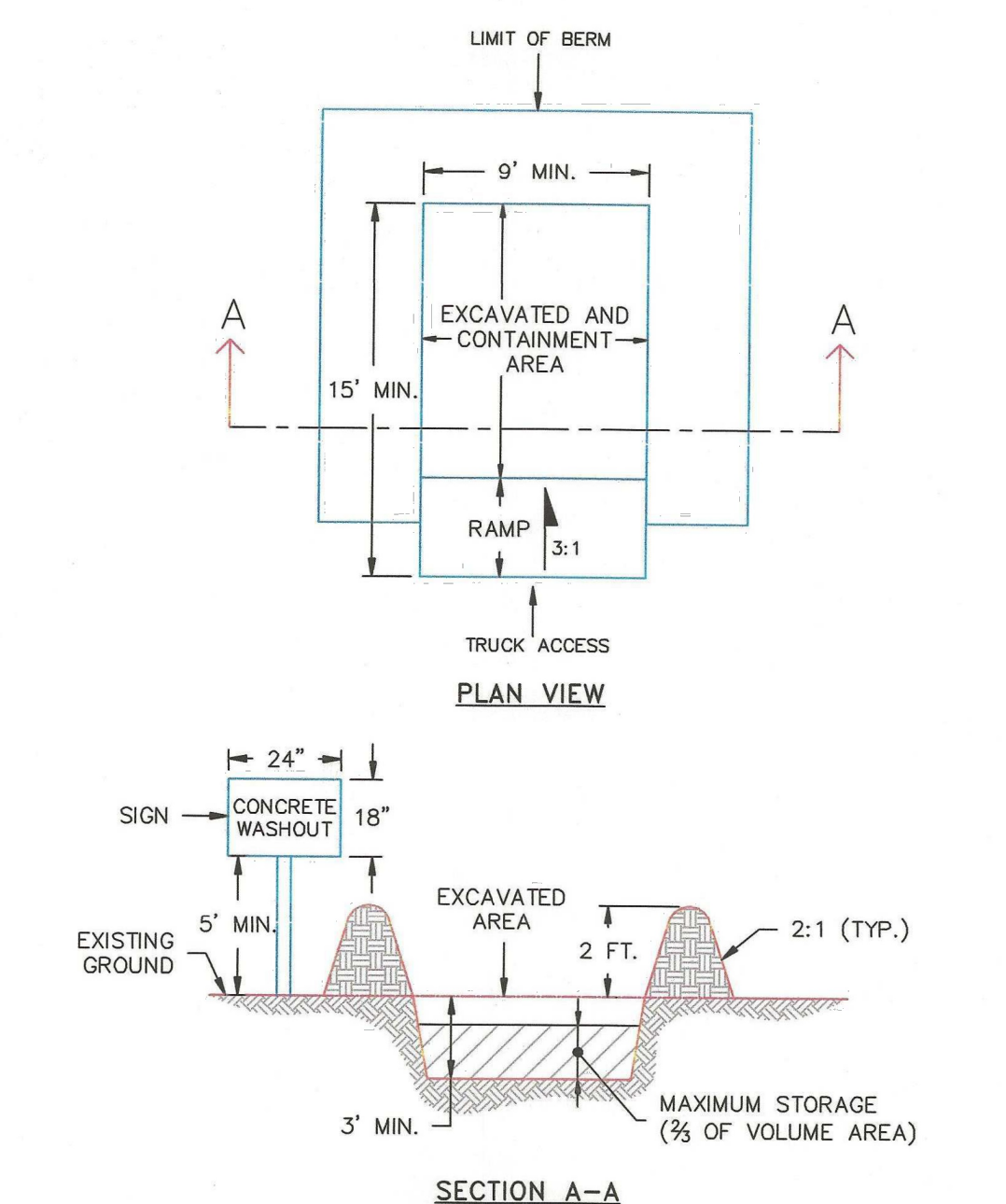


RCS-2 Urban Drainage and Flood Control District Urban Storm Drainage Criteria Manual Volume 3 November 2010

SC-6 Inlet Protection (IP)



IP-6 Urban Drainage and Flood Control District Urban Storm Drainage Criteria Manual Volume 3 August 2013



NOTES:
1. SIGN MATERIAL, EXCAVATION, AND RESTORATION ARE INCLUDED IN THE COST OF THE CONCRETE WASHOUT STRUCTURE.
2. EROSION BALES MAY BE USED AS AN ALTERNATIVE FOR THE BERM.

DATE APPROVED: 1/1/08
DRAWN BY: John A. McCarty
REVISION DATE: 7/17/07
FILE NAME: SD_3-84
Concrete Washout Structure
Standard Drawing



CORE ENGINEERING GROUP
15004 151st AVENUE S.E.
SUITE 300
P.O. BOX 719 570 1100
CONTACT: RICHARD L. SCHINDLER, P.E.
EMAIL: Rich@cegi.com

DATE: ###/###/###
DESCRIPTION: ###/###/###
NO. ###/###/###
PROJECT: ANTELOPE RIDGE AT BULL HILL PHASE 1
PREPARED FOR: EAGLE DEVELOPMENT
212 N. WAHSATCH AVE, SUITE 301
COLORADO SPRINGS, COLORADO 80903
FONTSANE BLVD/MARKSHEFFEL RD
COLORADO SPRINGS, CO
CONTACT: JEFF MARK

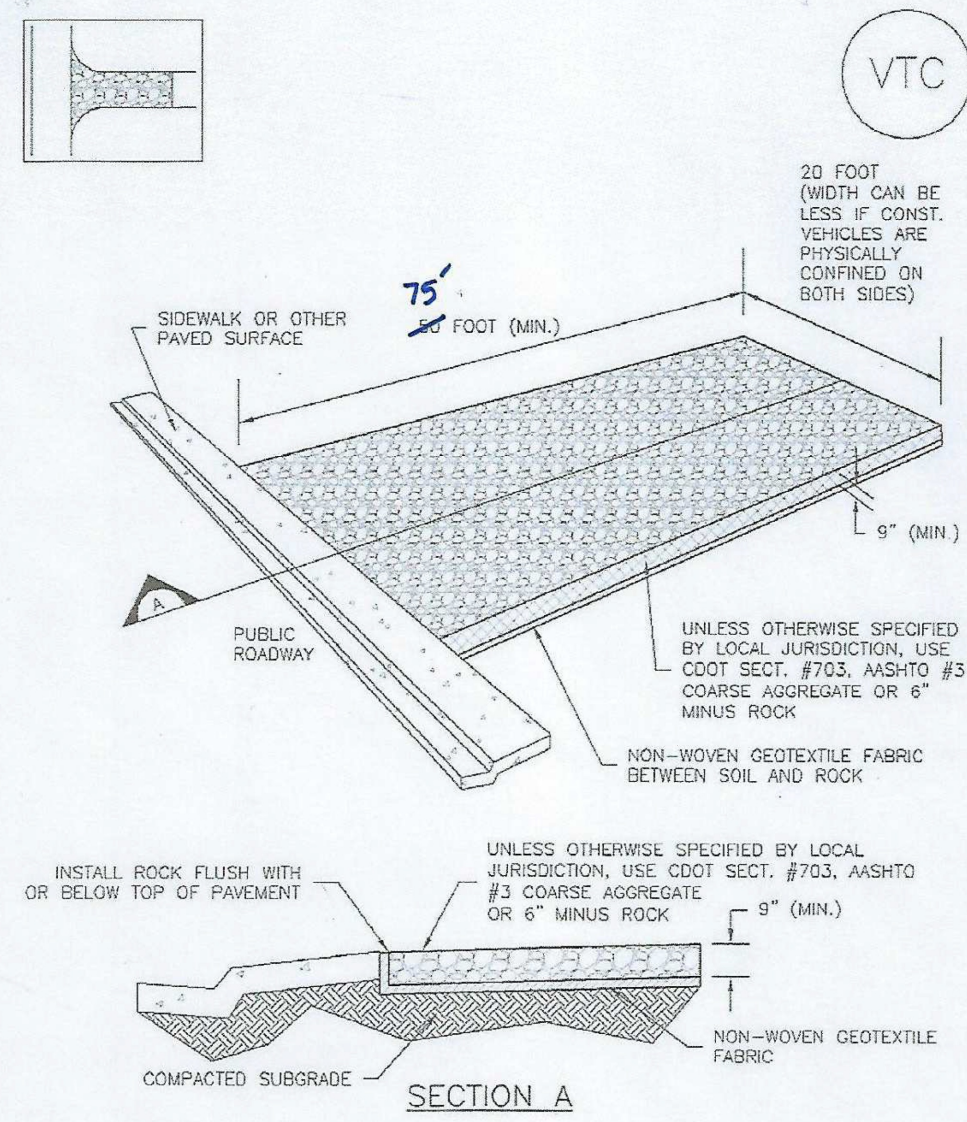
DRAWN: BRN
DESIGNED: RLS
CHECKED: RLS

GRADING AND EROSION CONTROL DETAILS

DATE: APR., 2026
PROJECT NO. 100.302
SHEET NUMBER C12.1
TOTAL SHEETS: 25

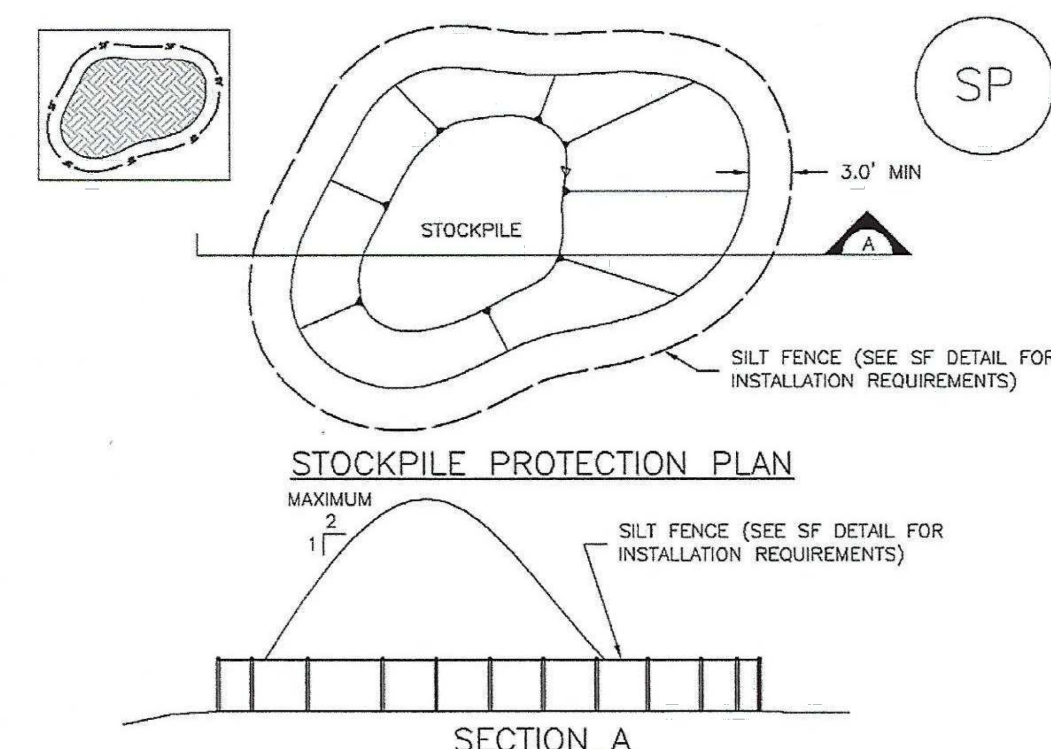
PRELIMINARY

Vehicle Tracking Control (VTC) SM-4



November 2010 Urban Drainage and Flood Control District Urban Storm Drainage Criteria Manual Volume 3 VTC-3

Stockpile Management (SP) MM-2

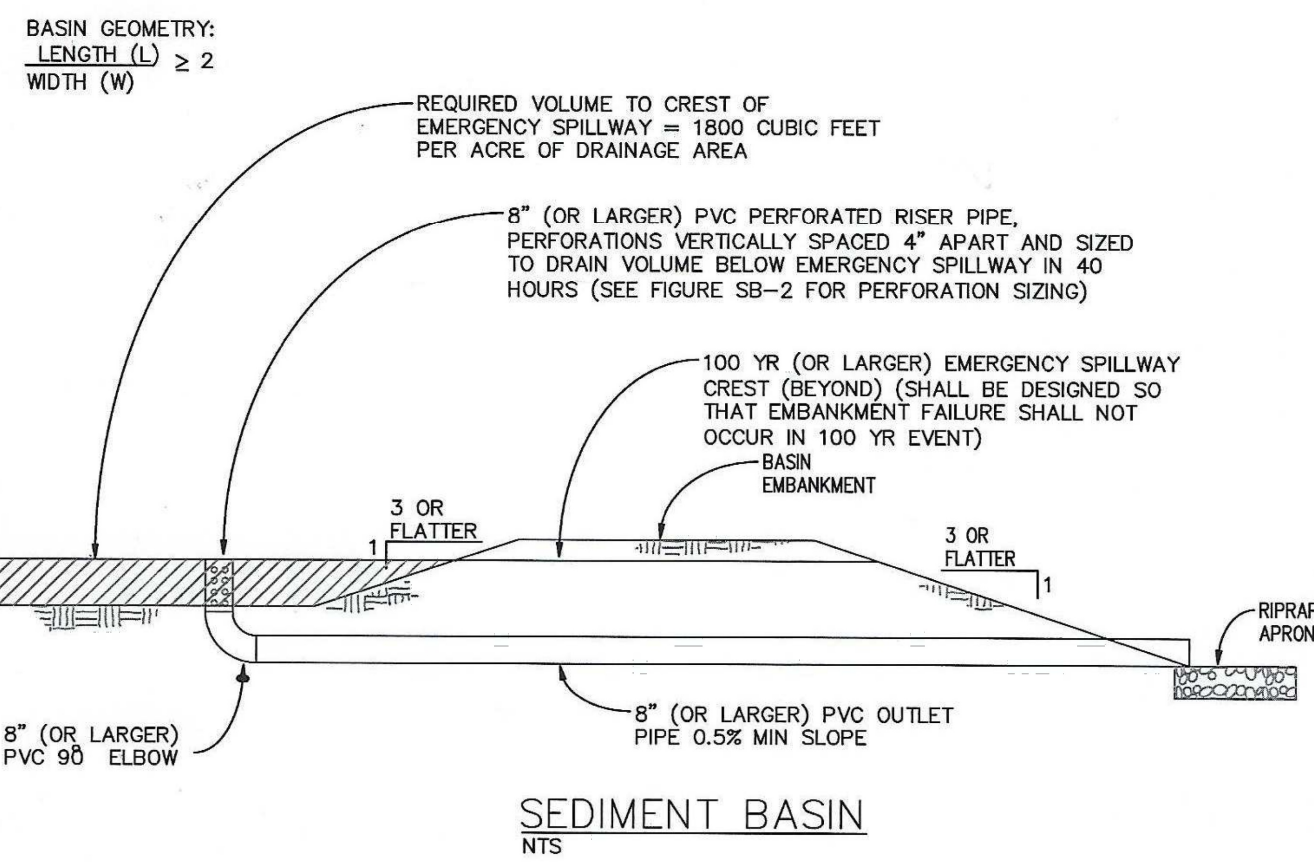


SP-1. STOCKPILE PROTECTION

STOCKPILE PROTECTION INSTALLATION NOTES

- SEE PLAN VIEW FOR:
 - LOCATION OF STOCKPILES
 - TYPE OF STOCKPILE PROTECTION
- INSTALL PERIMETER CONTROLS IN ACCORDANCE WITH THEIR RESPECTIVE DESIGN DETAILS. SILT FENCE IS SHOWN IN THE STOCKPILE PROTECTION DETAILS. HOWEVER, OTHER TYPES OF PERIMETER CONTROLS INCLUDING SEDIMENT CONTROL LOGS OR ROCK SOCKS MAY BE SUITABLE IN SOME CIRCUMSTANCES. CONSIDERATIONS FOR DETERMINING THE APPROPRIATE TYPE OF PERIMETER CONTROL FOR A STOCKPILE INCLUDE WHETHER THE STOCKPILE IS LOCATED ON A PERVIOUS OR IMPERVIOUS SURFACE, THE RELATIVE HEIGHTS OF THE PERIMETER CONTROL AND STOCKPILE, THE ABILITY OF THE PERIMETER CONTROL TO CONTAIN THE STOCKPILE WITHOUT FAILING IN THE EVENT THAT MATERIAL FROM THE STOCKPILE SHIFTS OR SLIPS AGAINST THE PERIMETER, AND OTHER FACTORS.
- STABILIZE THE STOCKPILE SURFACE WITH SURFACE ROUGHENING, TEMPORARY SEEDING AND MULCHING, EROSION CONTROL BLANKETS, OR SOIL BINDERS. SOILS STOCKPILED FOR AN EXTENDED PERIOD (TYPICALLY FOR MORE THAN 60 DAYS) SHOULD BE SEED AND MULCHED WITH A TEMPORARY GRASS COVER ONCE THE STOCKPILE IS PLACED (TYPICALLY WITHIN 14 DAYS). USE OF MULCH ONLY OR A SOIL BINDER IS ACCEPTABLE IF THE STOCKPILE WILL BE IN PLACE FOR A MORE LIMITED TIME PERIOD (TYPICALLY 30-60 DAYS).
- FOR TEMPORARY STOCKPILES ON THE INTERIOR PORTION OF A CONSTRUCTION SITE, WHERE OTHER DOWNGRADIENT CONTROLS, INCLUDING PERIMETER CONTROL, ARE IN PLACE, STOCKPILE PERIMETER CONTROLS MAY NOT BE REQUIRED.

November 2010 Urban Drainage and Flood Control District Urban Storm Drainage Criteria Manual Volume 3 SP-3



SEDIMENT BASIN NOTES

INSTALLATION REQUIREMENTS

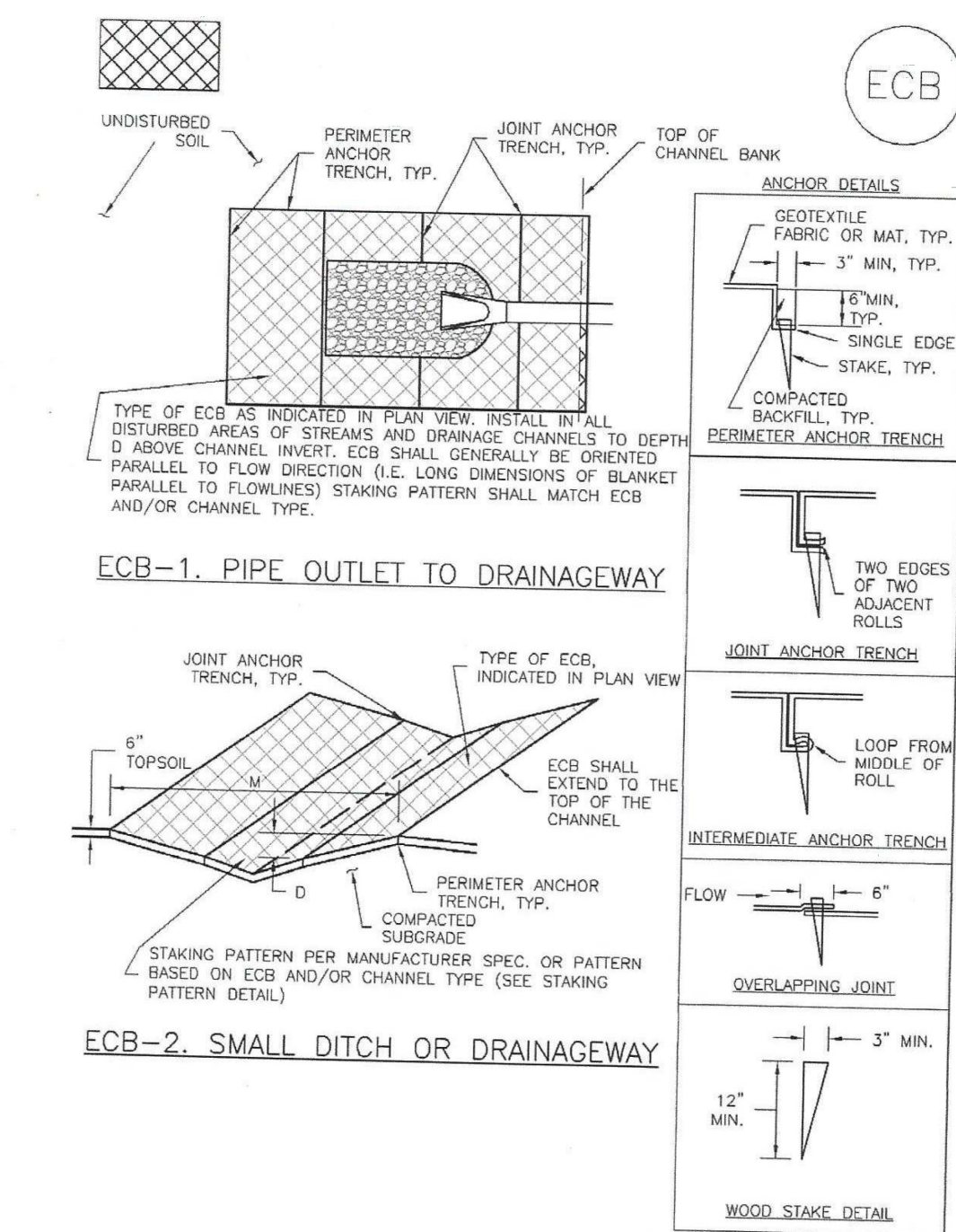
- SEDIMENT BASINS SHALL BE INSTALLED BEFORE ANY CLEARING AND/OR GRADING IS UNDERTAKEN.
- THE AREA UNDER WHICH THE EMBANKMENT IS TO BE INSTALLED SHALL BE CLEARED, GRUBBED, AND STRIPPED OF ALL VEGETATION AND ROOT MAT.
- THE OUTLET OF THE BASIN SHALL BE DESIGNED TO DRAIN ITS VOLUME IN 40 HOURS.
- THE OUTLET IS TO BE LOCATED AT THE FURTHEST DISTANCE FROM THE INLET OF THE BASIN. BAFFLES MAY BE NEEDED TO INCREASE THE FLOW LENGTH AND SETTLING TIME.
- EMBANKMENT MATERIAL SHALL CONSIST OF SOIL WITH A MINIMUM OF 15% PASSING A #200 SIEVE. EXCAVATED SOIL CAN BE USED IF IT MEETS THIS REQUIREMENT.
- EMBANKMENT IS TO BE COMPACTED TO AT LEAST 90% OF MAXIMUM DENSITY AND WITHIN 2% OF OPTIMUM MOISTURE CONTENT ACCORDING TO ASTM D 698.
- WHEN A BASIN IS INSTALLED NEAR A RESIDENTIAL AREA, FOR SAFETY REASONS, A SIGN SHALL BE POSTED AND THE AREA SECURED WITH A FENCE.

MAINTENANCE REQUIREMENTS

- CONTRACTOR SHALL INSPECT SEDIMENT BASINS AFTER EACH RAINFALL, AT LEAST DAILY DURING PROLONGED RAINFALL, AND WEEKLY DURING PERIODS OF NO RAINFALL.
- SEDIMENT BASINS SHALL BE CLEANED OUT BEFORE SEDIMENT HAS FILLED HALF THE VOLUME OF THE BASIN.
- SEDIMENT BASINS SHALL REMAIN OPERATIONAL AND PROPERLY MAINTAINED UNTIL THE SITE AREA IS PERMANENTLY STABILIZED WITH ADEQUATE VEGETATIVE COVER AND/OR OTHER PERMANENT STRUCTURE AS APPROVED BY THE CITY.

City of Colorado Springs Stormwater Quality Figure SB-1 Sediment Basin Construction Detail and Maintenance Requirements

EC-6 Rolled Erosion Control Products (RECP)



RECP-6 Urban Drainage and Flood Control District Urban Storm Drainage Criteria Manual Volume 3 November 2010

CORE ENGINEERING GROUP
 15004 15TH AVENUE S.
 PHOENIX, AZ 85044
 PHONE: 719.570.1100
 CONTACT: RICHARD L. SCHINDLER, P.E.
 EMAIL: Rich@cegi.com

PREPARED FOR:
EAGLE DEVELOPMENT
 212 N. WAHSATCH AVE, SUITE 301
 COLORADO SPRINGS, COLORADO 80903
 CONTACT: JEFF MARK

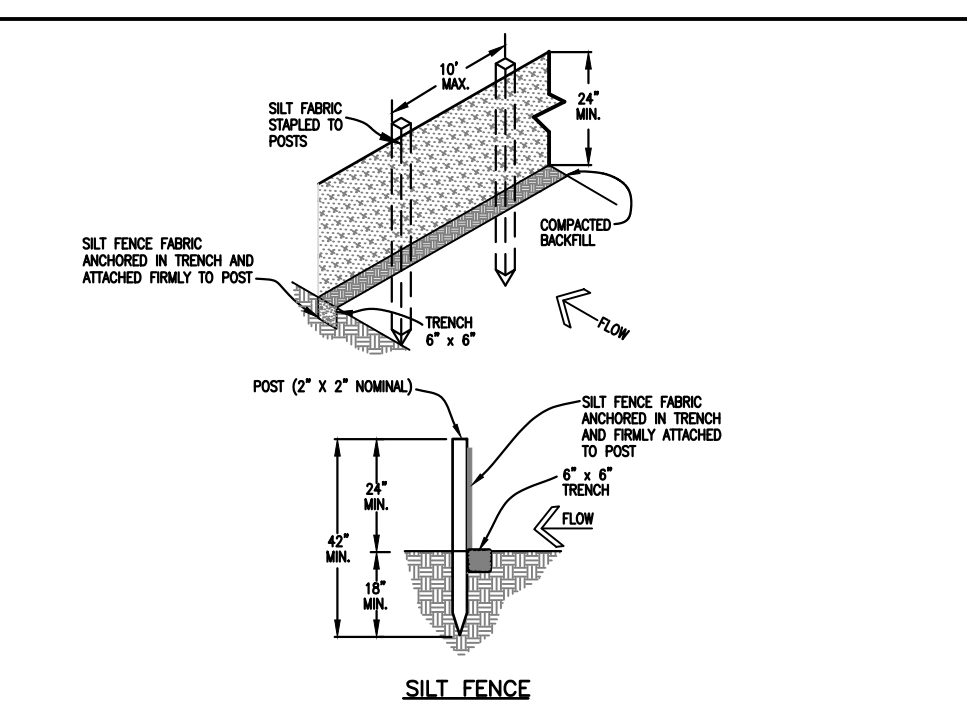
PROJECT:
ANTELOPE RIDGE AT BULL HILL PHASE 1
 FONTAINE BLVD/MARKSHEFFEL RD
 COLORADO SPRINGS, CO

DRAWN: BRN
 DESIGNED: RLS
 CHECKED: RLS

GRADING AND EROSION CONTROL DETAILS

PRELIMINARY

DATE:
APR., 2026
 PROJECT NO.
100.302
 SHEET NUMBER
C12.2
 TOTAL SHEETS: 25



- INSTALLATION REQUIREMENTS**
- SILT FENCES SHALL BE INSTALLED PRIOR TO ANY LAND DISTURBING ACTIVITIES.
 - WHEN JOINTS ARE NECESSARY, SILT FENCE GEOTEXTILE SHALL BE SPUNZED TOGETHER ONLY AT SUPPORT POST AND SECURELY SEALED.
 - METAL POSTS SHALL BE "STUDDO TEST" OR "U" TYPE WITH MINIMUM WEIGHT OF 1.33 POUNDS PER LINEAR FOOT. WOOD POSTS SHALL HAVE A MINIMUM DIAMETER OR CROSS SECTION DIMENSION OF 2 INCHES.
 - THE FILTER MATERIAL SHALL BE FASTENED SECURELY TO METAL OR WOOD POSTS USING WIRE TIE, OR TO WOOD POSTS WITH 3/4" LONG #9 HEAVY-DUTY STAPLES. THE SILT FENCE GEOTEXTILE SHALL NOT BE STAPLED TO EXISTING TREES.
 - WHILE NOT REQUIRED, WIRE MESH FENCE MAY BE USED TO SUPPORT THE GEOTEXTILE. WIRE FENCE SHALL BE FASTENED SECURELY TO THE UPSIDE SIDE OF THE POSTS USING HEAVY-DUTY WIRE STAPLES AT LEAST 3/4" LONG. THE WIRES OR HOE RINGS, THE WIRE SHALL EXTEND INTO THE TRENCH A MINIMUM OF 6" AND SHALL NOT EXTEND MORE THAN 3" ABOVE THE ORIGINAL GROUND SURFACE.
 - ALONG THE TOE OF FILLS, INSTALL THE SILT FENCE ALONG A LEVEL CONTOUR AND PROVIDE AN AREA BEHIND THE FENCE FOR RUNOFF TO POND AND SEDIMENT TO SETTLE. A MINIMUM DISTANCE OF 5 FEET FROM THE TOE OF THE FILL IS RECOMMENDED.
 - THE HEIGHT OF THE SILT FENCE FROM THE GROUND SURFACE SHALL BE MINIMUM OF 24 INCHES AND SHALL NOT EXCEED 36 INCHES. HIGHER FENCES MAY IMPROVE VOLUMES OF WATER SUSCEPT TO CAUSE FAILURE OF THE STRUCTURE.

Figure SF-2 Silt Fence Construction Detail and Maintenance Requirements

City of Colorado Springs Stormwater Quality

TOP VIEW OF SILT FENCE POSTS-DETAIL

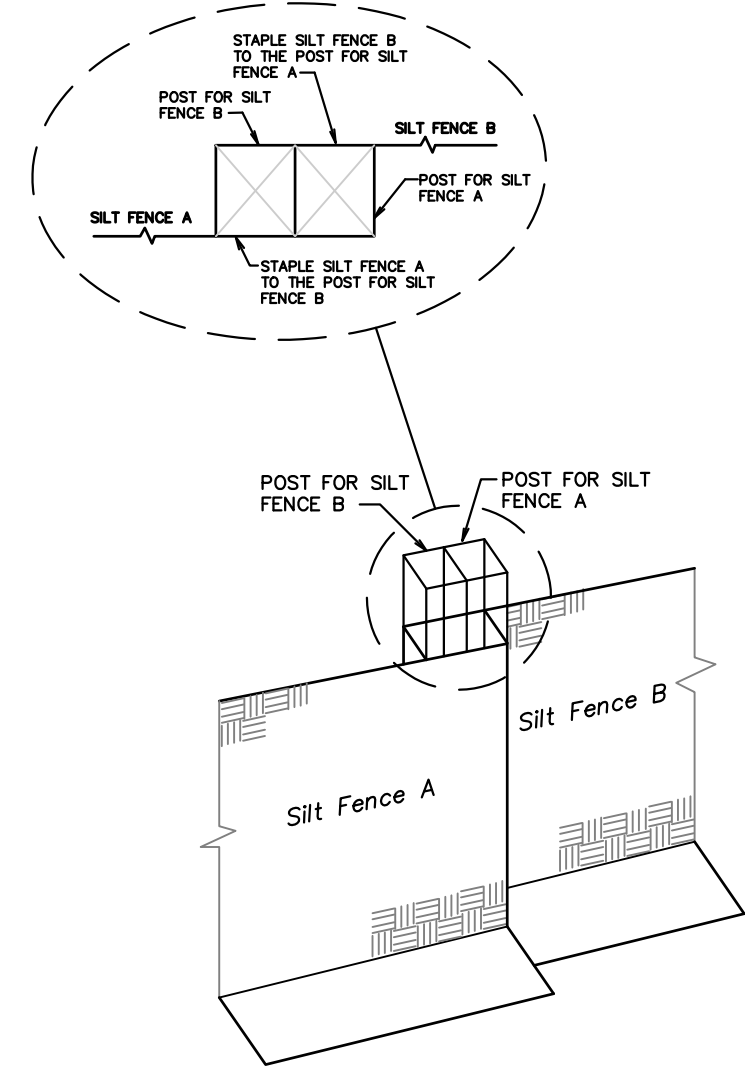


Figure SF-3 Silt Fence Joint Tying Construction Detail and Maintenance Requirements

City of Colorado Springs Stormwater Quality

TABLE SB-1

Design Volume (acre-ft)	Required Area per Row (ft ²)								
	1.0	1.5	2.0	2.5	3.0	3.5	4.0	4.5	5.0
1	15.04	7.71	5.10	3.76	2.95	2.41	2.02	1.73	1.51
2	7.52	3.87	2.55	1.88	1.48	1.21	1.01	0.87	0.76
3	5.01	2.58	1.70	1.25	0.98	0.81	0.68	0.59	0.51
4	3.76	1.91	1.27	0.94	0.74	0.61	0.52	0.45	0.39
5	3.01	1.54	1.02	0.75	0.59	0.48	0.40	0.35	0.30
6	2.51	1.27	0.85	0.62	0.49	0.40	0.33	0.29	0.25
7	2.10	1.06	0.71	0.52	0.41	0.33	0.28	0.24	0.21
8	1.75	0.90	0.60	0.44	0.34	0.28	0.24	0.20	0.17
9	1.46	0.75	0.50	0.37	0.29	0.24	0.20	0.17	0.15
10	1.21	0.63	0.42	0.31	0.24	0.20	0.17	0.15	0.13
12	1.00	0.53	0.35	0.26	0.20	0.17	0.14	0.12	0.10
15	0.78	0.41	0.27	0.20	0.15	0.12	0.10	0.09	0.08
20	0.58	0.30	0.20	0.15	0.11	0.09	0.07	0.06	0.05
25	0.46	0.24	0.16	0.12	0.09	0.07	0.06	0.05	0.04
30	0.38	0.20	0.13	0.10	0.08	0.06	0.05	0.04	0.03
40	0.28	0.15	0.09	0.07	0.05	0.04	0.03	0.02	0.02
50	0.22	0.12	0.08	0.06	0.04	0.03	0.02	0.02	0.02
60	0.18	0.09	0.06	0.04	0.03	0.02	0.02	0.01	0.01
75	0.13	0.07	0.04	0.03	0.02	0.01	0.01	0.01	0.01

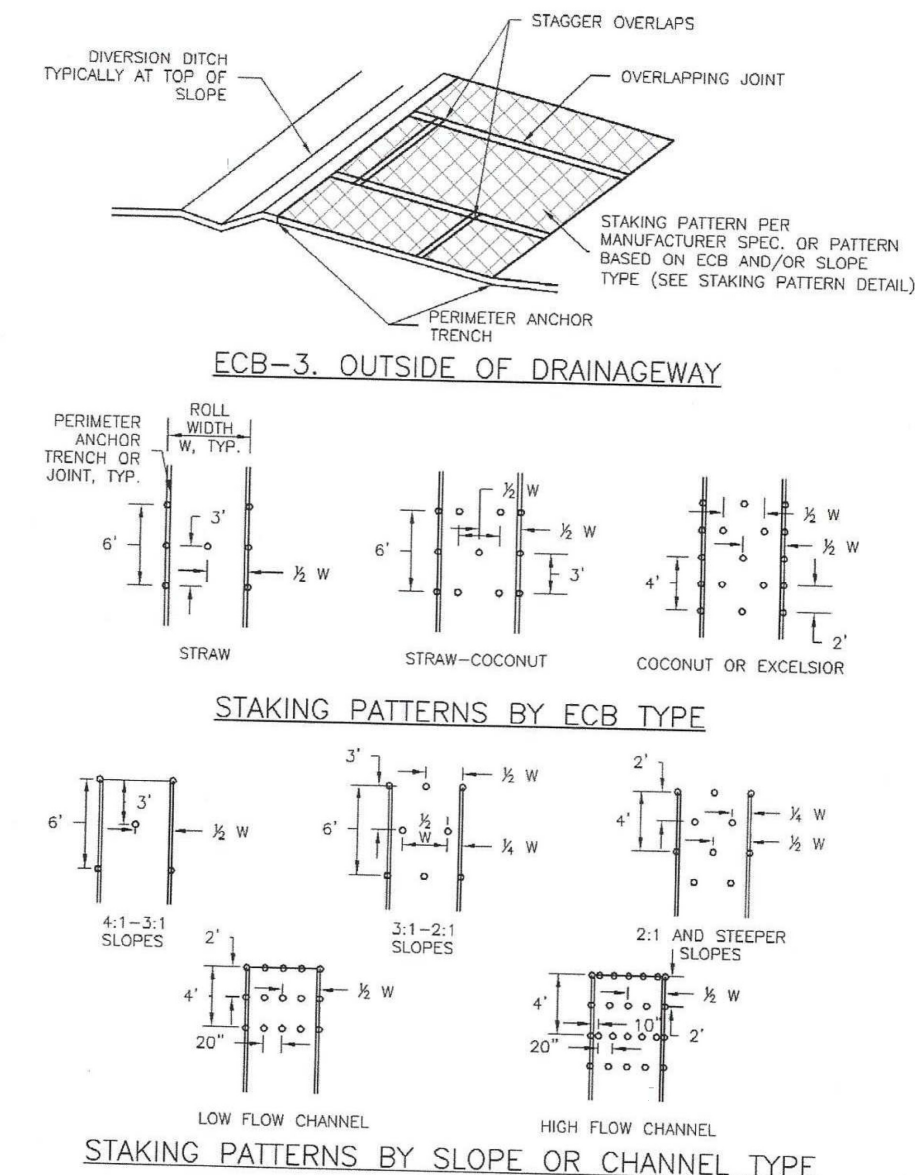
TABLE SB-2

Hole Diameter (in)	Hole Diameter (in)	Area per Row (ft ²)		
		n = 1	n = 2	n = 3
1/4	0.250	0.05	0.10	0.15
5/16	0.313	0.08	0.16	0.23
3/8	0.375	0.11	0.22	0.33
7/16	0.438	0.15	0.30	0.45
1/2	0.500	0.20	0.39	0.59
9/16	0.563	0.25	0.50	0.75
5/8	0.625	0.31	0.61	0.92
11/16	0.688	0.37	0.74	1.10
3/4	0.750	0.44	0.88	1.33
7/8	0.875	0.60	1.20	1.80
1	1.000	0.79	1.57	2.36
1 1/8	1.125	0.99	1.98	2.98
1 1/4	1.250	1.23	2.45	3.68
1 3/8	1.375	1.48	2.97	4.45
1 1/2	1.500	1.77	3.53	5.30
1 5/8	1.625	2.07	4.15	6.22
1 3/4	1.750	2.41	4.81	7.22
1 7/8	1.875	2.78	5.52	8.28
2	2.000	3.14	6.28	9.42

n = Number of columns of perforations.
 Minimum steel plate thickness: 1/4" 5/16" 3/8"

City of Colorado Springs Stormwater Quality Figure SB-2 Outlet Sizing Application Techniques and Maintenance Requirements

EC-6 Rolled Erosion Control Products (RECP)



RECP-7 Urban Drainage and Flood Control District Urban Storm Drainage Criteria Manual Volume 3 November 2010

SEDIMENT BASIN 1

- 8.06 acres, 14,508cf REQUIRED
- 8" PVC AT 0.5% SLOPE
- VOLUME = 15,513cf (0.35ac-ft), 1.5' DEEP
- 1.1sqin FROM TABLE SB-1
- 3 COLUMNS, 11/16" HOLES
- 8" OUTLET PIPE

SEDIMENT BASIN 2

- 5.3 acres, 9,540cf REQUIRED
- 8" PVC AT 0.5% SLOPE
- VOLUME = 10,555cf (0.24ac-ft), 1.5' DEEP
- 0.90sqin FROM TABLE SB-1
- 3 COLUMNS, 5/8" HOLES
- 8" OUTLET PIPE

SEDIMENT BASIN 3

- 4.0 acres, 7,200cf REQUIRED
- 8" PVC AT 0.5% SLOPE
- VOLUME = 8,108cf (0.19ac-ft), 2.0' DEEP
- 0.20sqin FROM TABLE SB-1
- 1 COLUMNS, 1/2" HOLES
- 8" OUTLET PIPE

Temporary and Permanent Seeding (TS/PS) EC-2

Seeding dates for the highest success probability of perennial species along the Front Range are generally in the spring from April through early May and in the fall after the first of September until the ground freezes. If the area is irrigated, seeding may occur in summer months, as well. See Table TS/PS-3 for appropriate seeding dates.

Table TS/PS-1. Minimum Drill Seeding Rates for Various Temporary Annual Grasses

Species* (Common name)	Growth Season*	Pounds of Pure Live Seed (PLS)/acre	Planting Depth (inches)
1. Oats	Cool	35 - 50	1 - 2
2. Spring wheat	Cool	25 - 35	1 - 2
3. Spring barley	Cool	25 - 35	1 - 2
4. Annual ryegrass	Cool	10 - 15	½
5. Millet	Warm	3 - 15	½ - ¾
6. Sudangrass	Warm	5-10	½ - ¾
7. Sorghum	Warm	5-10	½ - ¾
8. Winter wheat	Cool	20-35	1 - 2
9. Winter barley	Cool	20-35	1 - 2
10. Winter rye	Cool	20-35	1 - 2
11. Triticale	Cool	25-40	1 - 2

* Successful seeding of annual grass resulting in adequate plant growth will usually produce enough dead-plant residue to provide protection from wind and water erosion for an additional year. This assumes that the cover is not disturbed or mowed closer than 8 inches.

Hydraulic seeding may be substituted for drilling only where slopes are steeper than 3:1 or where access limitations exist. When hydraulic seeding is used, hydraulic mulching should be applied as a separate operation, when practical, to prevent the seeds from being encapsulated in the mulch.

† See Table TS/PS-3 for seeding dates. Irrigation, if consistently applied, may extend the use of cool season species during the summer months.

‡ Seeding rates should be doubled if seed is broadcast, or increased by 50 percent if done using a Brillion Drill or by hydraulic seeding.

EC-2 Temporary and Permanent Seeding (TS/PS)

Table TS/PS-2. Minimum Drill Seeding Rates for Perennial Grasses

Common Name	Botanical Name	Growth Season*	Growth Form	Seeds/Pound	Pounds of PLS/acre
Alkali Soil Seed Mix					
Alkali sacaton	<i>Sporobolus airoides</i>	Cool	Bunch	1,750,000	0.25
Basin wildrye	<i>Elymus cinereus</i>	Cool	Bunch	165,000	2.5
Sodar streambank wheatgrass	<i>Agropyron riparium 'Sodar'</i>	Cool	Sod	170,000	2.5
Jose tall wheatgrass	<i>Agropyron elongatum 'Jose'</i>	Cool	Bunch	79,000	7.0
Arriba western wheatgrass	<i>Agropyron smithii 'Arriba'</i>	Cool	Sod	110,000	5.5
Total					17.75
Fertile Loamy Soil Seed Mix					
Ephraim crested wheatgrass	<i>Agropyron cristatum 'Ephraim'</i>	Cool	Sod	175,000	2.0
Dural hard fescue	<i>Festuca ovina 'duraliscula'</i>	Cool	Bunch	565,000	1.0
Lincoln smooth brome	<i>Bromus inermis leys 'Lincoln'</i>	Cool	Sod	130,000	3.0
Sodar streambank wheatgrass	<i>Agropyron riparium 'Sodar'</i>	Cool	Sod	170,000	2.5
Arriba western wheatgrass	<i>Agropyron smithii 'Arriba'</i>	Cool	Sod	110,000	7.0
Total					15.5
High Water Table Soil Seed Mix					
Meadow foxtail	<i>Alopecurus pratensis</i>	Cool	Sod	900,000	0.5
Redtop	<i>Agrostis alba</i>	Warm	Open sod	5,000,000	0.25
Reed canarygrass	<i>Phalaris arundinacea</i>	Cool	Sod	68,000	0.5
Lincoln smooth brome	<i>Bromus inermis leys 'Lincoln'</i>	Cool	Sod	130,000	3.0
Pathfinder switchgrass	<i>Panicum virgatum 'Pathfinder'</i>	Warm	Sod	389,000	1.0
Alkar tall wheatgrass	<i>Agropyron elongatum 'Alkar'</i>	Cool	Bunch	79,000	5.5
Total					10.75
Transition Turf Seed Mix†					
Ruebens Canadian bluegrass	<i>Poa compressa 'Ruebens'</i>	Cool	Sod	2,500,000	0.5
Dural hard fescue	<i>Festuca ovina 'duraliscula'</i>	Cool	Bunch	565,000	1.0
Citation perennial ryegrass	<i>Lolium perenne 'Citation'</i>	Cool	Sod	247,000	3.0
Lincoln smooth brome	<i>Bromus inermis leys 'Lincoln'</i>	Cool	Sod	130,000	3.0
Total					7.5

Temporary and Permanent Seeding (TS/PS) EC-2

Table TS/PS-2. Minimum Drill Seeding Rates for Perennial Grasses (cont.)

Common Name	Botanical Name	Growth Season*	Growth Form	Seeds/Pound	Pounds of PLS/acre
Sandy Soil Seed Mix					
Blue grama	<i>Bouteloua gracilis</i>	Warm	Sod-forming bunchgrass	825,000	0.5
Camper little bluestem	<i>Schizachyrium scoparium 'Camper'</i>	Warm	Bunch	240,000	1.0
Prairie sandreed	<i>Calamovilfa longifolia</i>	Warm	Open sod	274,000	1.0
Sand dropseed	<i>Sporobolus cryptandrus</i>	Cool	Bunch	5,298,000	0.25
Vaughn sideoats grama	<i>Bouteloua curtipendula 'Vaughn'</i>	Warm	Sod	191,000	2.0
Arriba western wheatgrass	<i>Agropyron smithii 'Arriba'</i>	Cool	Sod	110,000	5.5
Total					10.25
Heavy Clay, Rocky Foothill Seed Mix					
Ephraim crested wheatgrass†	<i>Agropyron cristatum 'Ephraim'</i>	Cool	Sod	175,000	1.5
Oshe Intermediate wheatgrass	<i>Agropyron intermedium 'Oshe'</i>	Cool	Sod	115,000	5.5
Vaughn sideoats grama*	<i>Bouteloua curtipendula 'Vaughn'</i>	Warm	Sod	191,000	2.0
Lincoln smooth brome	<i>Bromus inermis leys 'Lincoln'</i>	Cool	Sod	130,000	3.0
Arriba western wheatgrass	<i>Agropyron smithii 'Arriba'</i>	Cool	Sod	110,000	5.5
Total					17.5

* All of the above seeding mixes and rates are based on drill seeding followed by crimped straw mulch. These rates should be doubled if seed is broadcast and should be increased by 50 percent if the seeding is done using a Brillion Drill or is applied through hydraulic seeding. Hydraulic seeding may be substituted for drilling only where slopes are steeper than 3:1. If hydraulic seeding is used, hydraulic mulching should be done as a separate operation.

† See Table TS/PS-3 for seeding dates.

‡ If site is to be irrigated, the transition turf seed rates should be doubled.

§ Crested wheatgrass should not be used on slopes steeper than 6H to 1V.

¶ Can substitute 0.5 lbs PLS of blue grama for the 2.0 lbs PLS of Vaughn sideoats grama.

EC-2 Temporary and Permanent Seeding (TS/PS)

Table TS/PS-3. Seeding Dates for Annual and Perennial Grasses

Seeding Dates	Annual Grasses (Numbers in table reference species in Table TS/PS-1)		Perennial Grasses	
	Warm	Cool	Warm	Cool
January 1-March 15			✓	✓
March 16-April 30		4, 1,2,3	✓	✓
May 1-May 15	4		✓	
May 16-June 30	4,5,6,7			
July 1-July 15	5,6,7			
July 16-August 31				
September 1-September 30		8,9,10,11		
October 1-December 31			✓	✓

Mulch

Cover seeded areas with mulch or an appropriate rolled erosion control product to promote establishment of vegetation. Anchor mulch by crimping, netting or use of a non-toxic tackifier. See the Mulching BMP Fact Sheet for additional guidance.

Maintenance and Removal

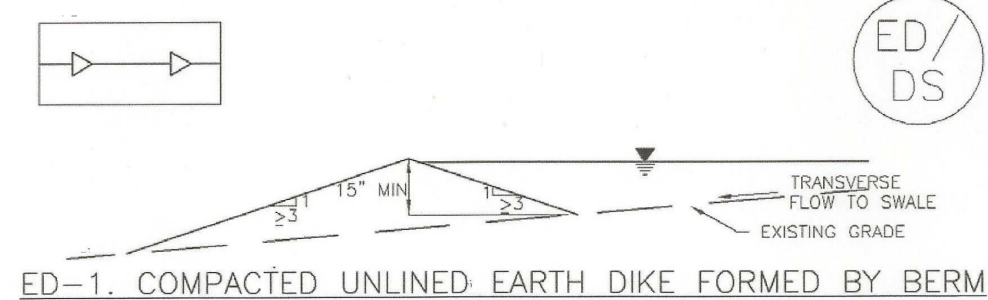
Monitor and observe seeded areas to identify areas of poor growth or areas that fail to germinate. Reseed and mulch these areas, as needed.

An area that has been permanently seeded should have a good stand of vegetation within one growing season if irrigated and within three growing seasons without irrigation in Colorado. Reseed portions of the site that fail to germinate or remain bare after the first growing season.

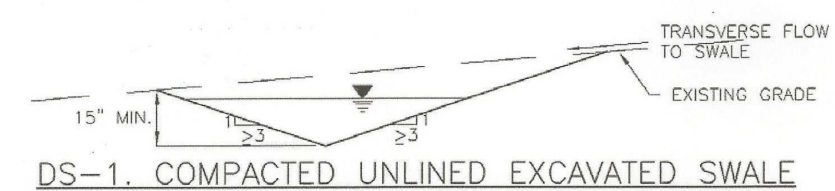
Seeded areas may require irrigation, particularly during extended dry periods. Targeted weed control may also be necessary.

Protect seeded areas from construction equipment and vehicle access.

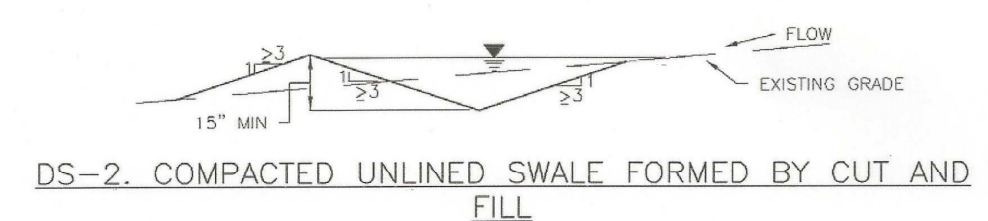
Earth Dikes and Drainage Swales (ED/DS) EC-10



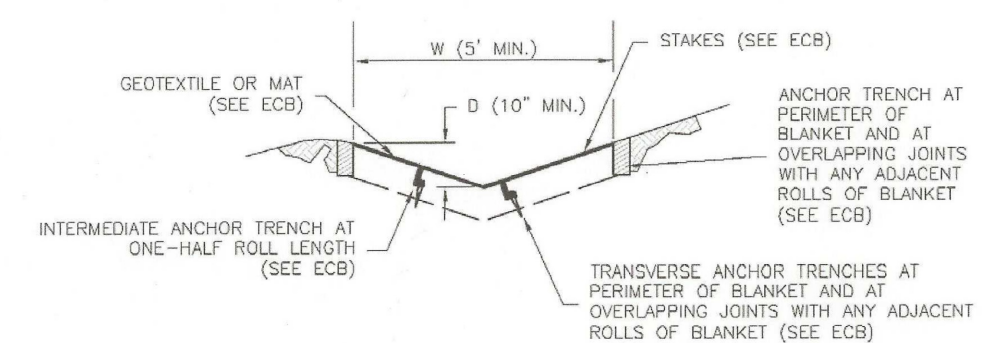
ED-1. COMPACTED UNLINED EARTH DIKE FORMED BY BERM



DS-1. COMPACTED UNLINED EXCAVATED SWALE



DS-2. COMPACTED UNLINED SWALE FORMED BY CUT AND FILL



DS-3. ECB LINED SWALE (CUT AND FILL OR BERM)

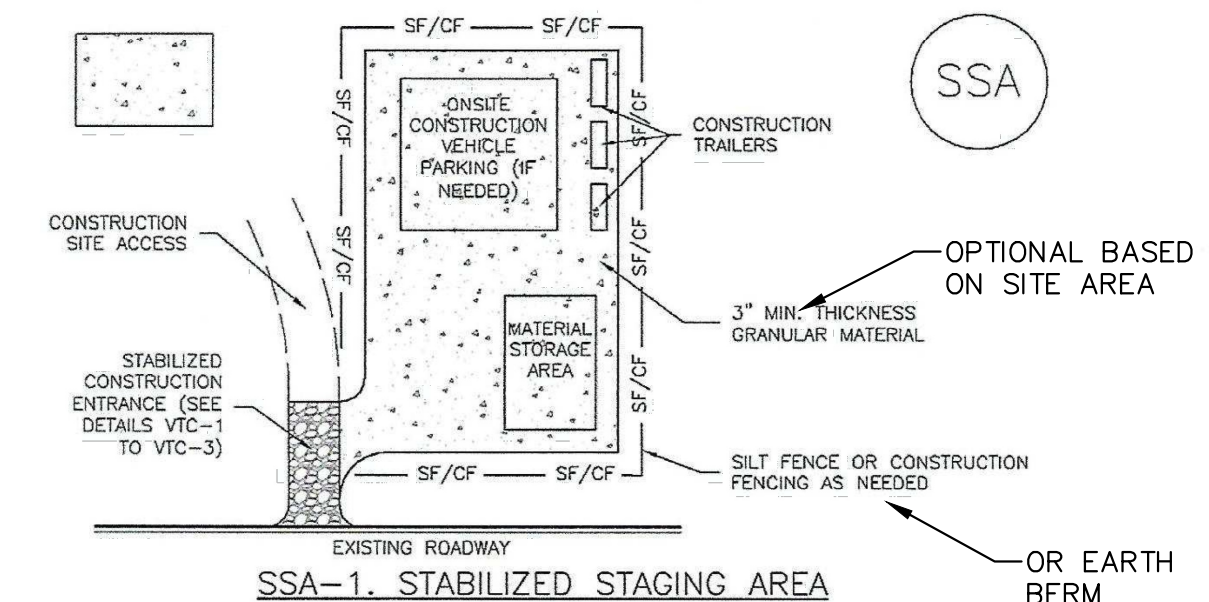
Table 5-1. El Paso County Conservation District All-Purpose Mix for Upland, Transition and Permanent Control Measure Areas

Common Name	Scientific Name	Growth Season / Form	% of Mix	Pounds PLS		
				Irrigated broadcast • Irrigated hydroseeded	Non-irrigated broadcast • Non-irrigated hydroseeded • Irrigated drilled	Non-irrigated drilled
Bluestem, big	<i>Andropogon gerardii</i>	Warm, sod	20	4.4	2.2	1.1
Grama, blue	<i>Bouteloua gracilis</i>	Warm, bunch	10	0.5	0.25	0.13
Green needlegrass ²	<i>Nassella viridula</i>	Cool, bunch	10	2	1	0.5
Wheatgrass, western ²	<i>Pascopyrum smithii</i>	Cool, sod	20	6.4	3.2	1.6
Grama, sideoats	<i>Bouteloua curtipendula</i>	Warm, bunch	10	2	1	0.5
Switchgrass ²	<i>Panicum virgatum</i>	Warm, bunch/sod	10	0.8	0.4	0.2
Prairie sandreed	<i>Calamovilfa longifolia</i>	Warm, sod	10	1.2	0.6	0.3
Yellow indiangrass ²	<i>Sorghastrum nutans</i>	Warm, sod	10	2	1	0.5
Seed rate (lbs PLS/acre)				19.3	9.7	4.8

Table 5-2. El Paso County All-Purpose Low Grow Mix for Upland and Transition Areas

Common Name	Scientific Name	Growth Season / Form	% of Mix	Pounds PLS		
				Irrigated broadcast • Irrigated hydroseeded	Non-irrigated broadcast • Non-irrigated hydroseeded • Irrigated drilled	Non-irrigated drilled
Buffalograss	<i>Buchloe dactyloides</i>	Warm, sod	25	9.6	4.8	2.4
Grama, blue	<i>Bouteloua gracilis</i>	Warm, bunch	20	10.8	5.4	2.7
Grama, sideoats	<i>Bouteloua curtipendula</i>	Warm, bunch	29	5.6	2.8	1.4
Green needlegrass	<i>Nassella viridula</i>	Cool, bunch	5	3.2	1.6	0.8
Wheatgrass, western	<i>Pascopyrum smithii</i>	Cool, sod	20	12	6	3
Dropseed, sand	<i>Sporobolus cryptandrus</i>	Warm, bunch	1	0.8	0.4	0.2
Seed rate (lbs PLS/acre)				42	21	10.3

Stabilized Staging Area (SSA) SM-6



SSA-1. STABILIZED STAGING AREA

STABILIZED STAGING AREA INSTALLATION NOTES

- SEE PLAN VIEW FOR:
 - LOCATION OF STAGING AREA(S).
 - CONTRACTOR MAY ADJUST LOCATION AND SIZE OF STAGING AREA WITH APPROVAL FROM THE LOCAL JURISDICTION.
- STABILIZED STAGING AREA SHOULD BE APPROPRIATE FOR THE NEEDS OF THE SITE. OVERSIZING RESULTS IN A LARGER AREA TO STABILIZE FOLLOWING CONSTRUCTION.
- STAGING AREA SHALL BE STABILIZED PRIOR TO OTHER OPERATIONS ON THE SITE.
- THE STABILIZED STAGING AREA SHALL CONSIST OF A MINIMUM 3" THICK GRANULAR MATERIAL.
- UNLESS OTHERWISE SPECIFIED BY LOCAL JURISDICTION, ROCK SHALL CONSIST OF DOT SECT. #703, AASHTO #3 COARSE AGGREGATE OR 6" (MINUS) ROCK.
- ADDITIONAL PERIMETER BMPs MAY BE REQUIRED INCLUDING BUT NOT LIMITED TO SILT FENCE AND CONSTRUCTION FENCING.

STABILIZED STAGING AREA MAINTENANCE NOTES

- INSPECT BMPs EACH WORKDAY, AND MAINTAIN THEM IN EFFECTIVE OPERATING CONDITION. MAINTENANCE OF BMPs SHOULD BE PROACTIVE, NOT REACTIVE. INSPECT BMPs AS SOON AS POSSIBLE (AND ALWAYS WITHIN 24 HOURS) FOLLOWING A STORM THAT CAUSES SURFACE EROSION, AND PERFORM NECESSARY MAINTENANCE.
- FREQUENT OBSERVATIONS AND MAINTENANCE ARE NECESSARY TO MAINTAIN BMPs IN EFFECTIVE OPERATING CONDITION. INSPECTIONS AND CORRECTIVE MEASURES SHOULD BE DOCUMENTED THOROUGHLY.
- WHERE BMPs HAVE FAILED, REPAIR OR REPLACEMENT SHOULD BE INITIATED UPON DISCOVERY OF THE FAILURE.
- ROCK SHALL BE REAPPLIED OR REGRADED AS NECESSARY IF RUTTING OCCURS OR UNDERLYING SUBGRADE BECOMES EXPOSED.

CORE ENGINEERING GROUP
15004 151st AVENUE, SUITE 35506
P.O. BOX 719 570, 1100
CONTACT: RICHARD L. SCHINDLER, P.E.
EMAIL: Rich@cegi.com

PREPARED FOR:
EAGLE DEVELOPMENT
212 N. WAHSATCH AVE, SUITE 301
COLORADO SPRINGS, COLORADO 80903
(719) 635-3200
CONTACT: JEFF MARK

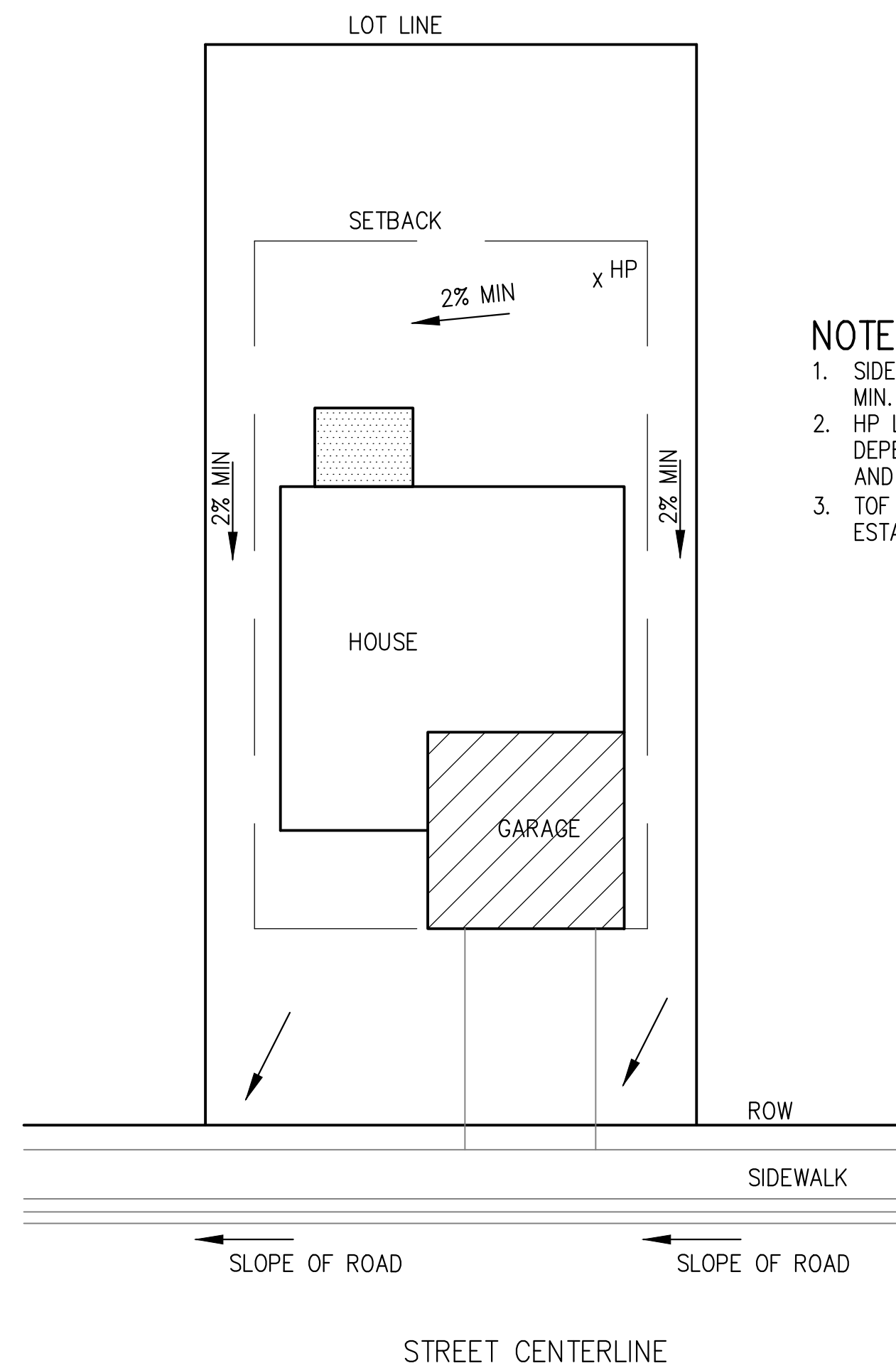
PROJECT:
ANTELOPE RIDGE AT BULL HILL PHASE 1
FONTAINE BLVD/MARKSHEFFEL RD
COLORADO SPRINGS, CO

DRAWN: BRN
DESIGNED: RLS
CHECKED: RLS

GRADING AND EROSION CONTROL DETAILS

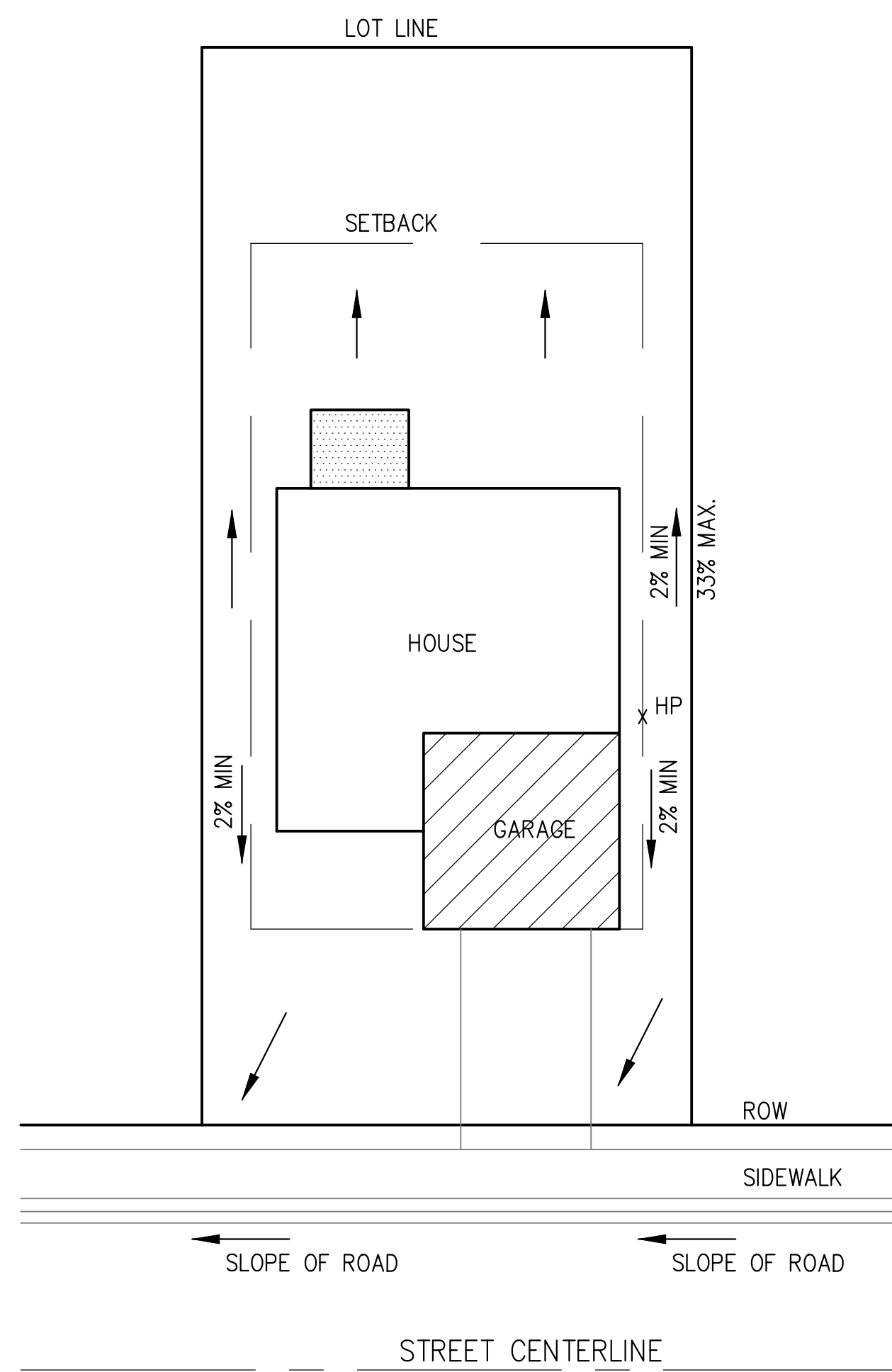
PRELIMINARY

DATE:
APR., 2026
PROJECT NO.
100.302
SHEET NUMBER
C12.3
TOTAL SHEETS: 25



TYPICAL "A" LOT DRAINAGE PATTERN
N.T.S.

- NOTES:**
1. SIDEYARD SWALE TO BE CONSTRUCTED AT 2% MIN. SLOPE.
 2. HP LOCATION ON EACH LOT WILL VARY DEPENDING UPON EXACT HOUSE FOOTPRINT AND LOCATION.
 3. TOP ELEVATION MUST BE MIN. 18" HIGHER THAN ESTABLISHED HP.



TYPICAL "B", "G", "W/O" LOT DRAINAGE PATTERN
N.T.S.

MULCHING NOTES

INSTALLATION REQUIREMENTS

1. ALL DISTURBED AREAS MUST BE MULCHED WITHIN 21 DAYS AFTER FINAL GRADE AND SEEDING AREAS ARE TO BE MULCHED WITHIN 24 HOURS AFTER SEEDING.
2. MATERIAL USED FOR MULCH CAN BE CERTIFIED CLEAN, WEED- AND SEED-FREE LONG STEMMED FIELD OR MARSH HAY, OR STRAW OF OATS, BARLEY, WHEAT, RYE, OR TRITICALE CERTIFIED BY THE COLORADO DEPARTMENT OF AGRICULTURE WEED FREE FORAGE CERTIFICATION PROGRAM.
3. HYDRAULIC MULCHING MATERIAL SHALL CONSIST OF VIRGIN WOOD FIBER MANUFACTURED FROM CLEAN WHOLE WOOD CHIPS. WOOD CHIPS CANNOT CONTAIN ANY GROWTH OR GERMINATION INHIBITORS OR BE PRODUCED FROM RECYCLED MATERIAL. GRAVEL CAN ALSO BE USED.
4. MULCH IS TO BE APPLIED EVENLY AT A RATE OF 2 TONS PER ACRE.
5. MULCH IS TO BE ANCHORED EITHER BY CRIMPING (TUCKING MULCH FIBERS 4 INCHES INTO THE SOIL), USING NETTING (USED ON SMALL AREAS WITH STEEP SLOPES), OR WITH A TACKIFIER.
6. HYDRAULIC MULCHING AND TACKIFIERS ARE NOT TO BE USED IN THE PRESENCE OF FREE SURFACE WATER.

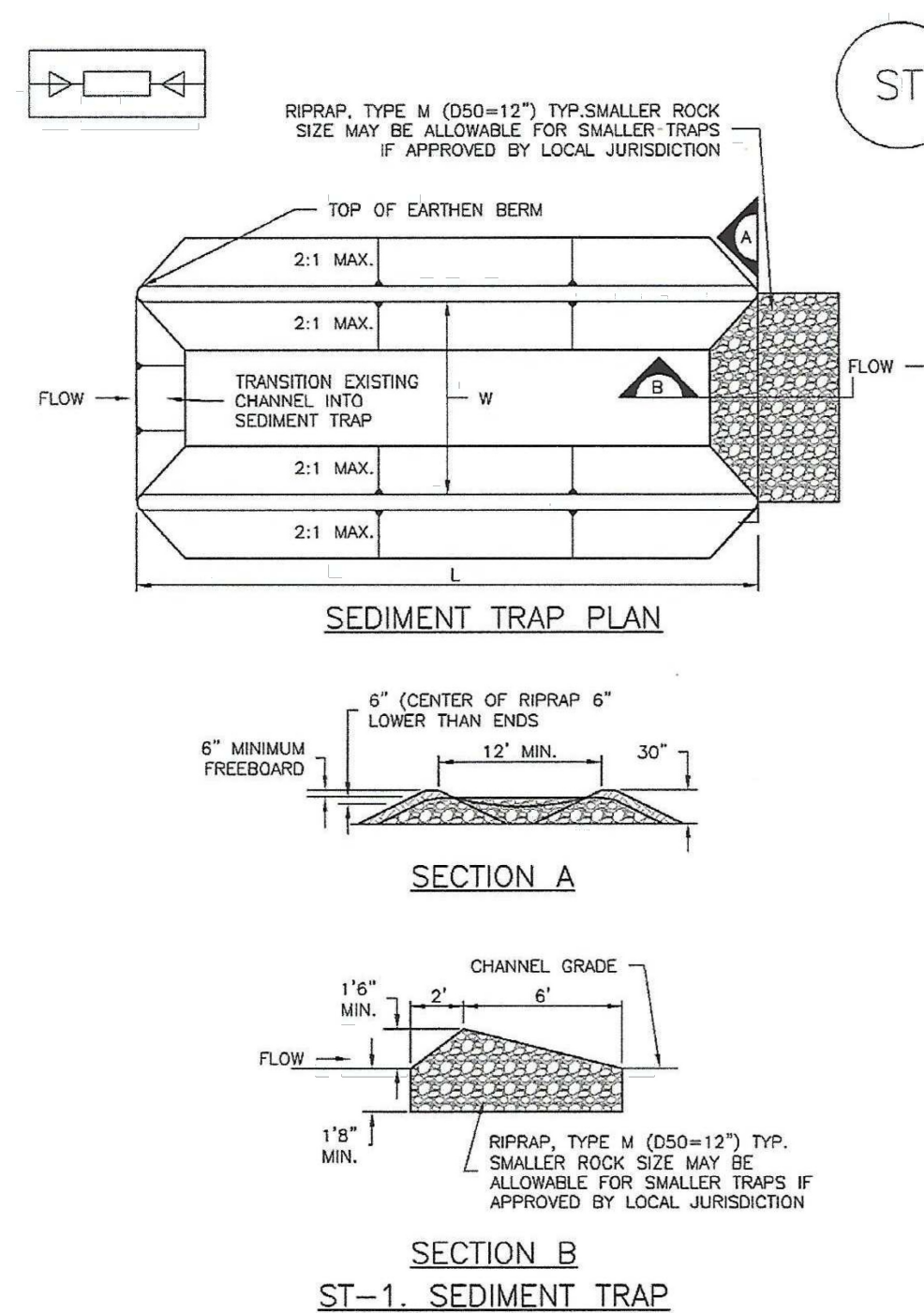
MAINTENANCE REQUIREMENTS

1. REGULAR INSPECTIONS ARE TO BE MADE OF ALL MULCHED AREAS.
2. MULCH IS TO BE REPLACED IMMEDIATELY IN THOSE AREAS IT HAS BEEN REMOVED, AND IF NECESSARY THE AREA SHOULD BE RESEEDED.

City of Colorado Springs
Stormwater Quality

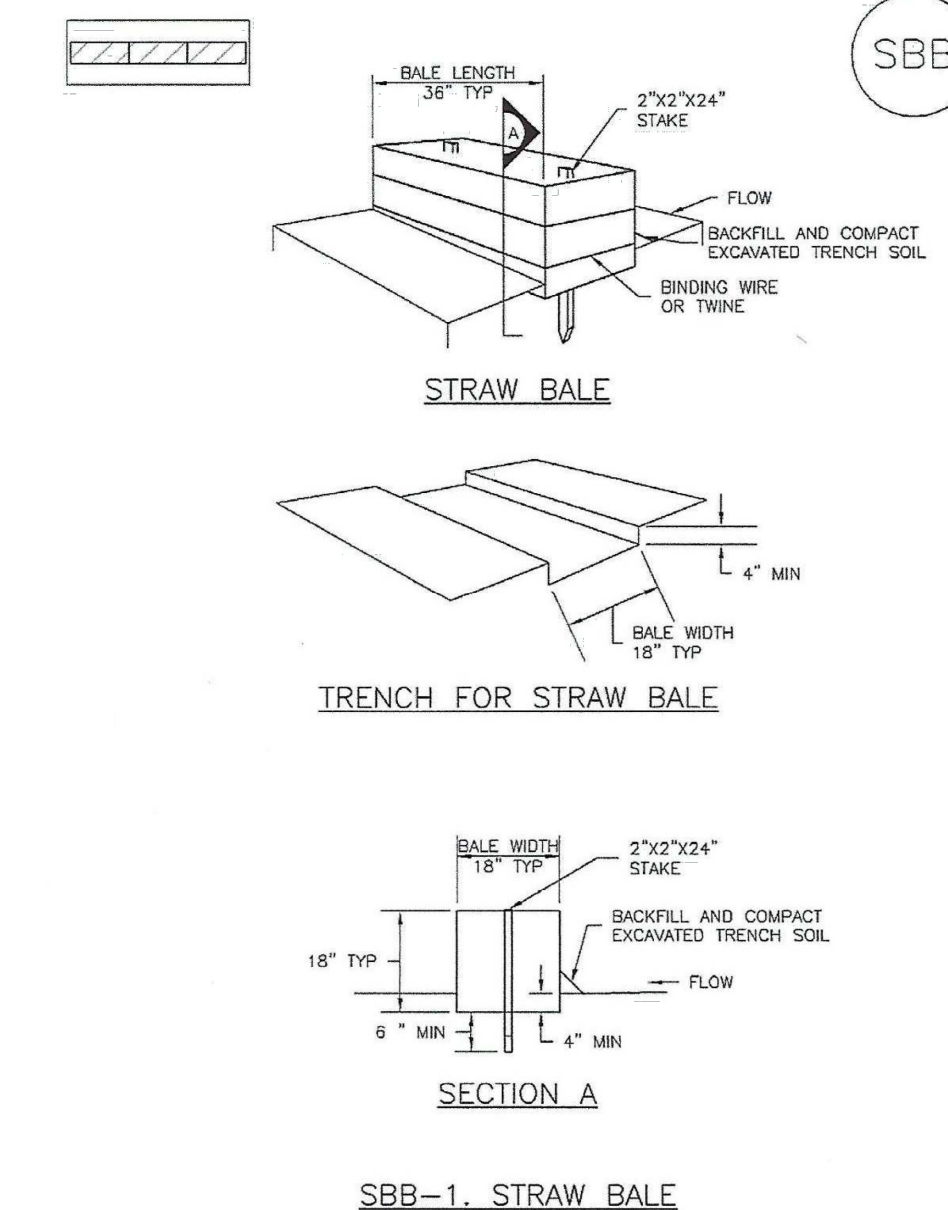
Figure MU-1
Mulching
Construction Detail and Maintenance Requirements

SC-8 Sediment Trap (ST)



ST-2 Urban Drainage and Flood Control District
Urban Storm Drainage Criteria Manual Volume 3 November 2010

SC-3 Straw Bale Barrier (SBB)



SBB-2 Urban Drainage and Flood Control District
Urban Storm Drainage Criteria Manual Volume 3 November 2010

CORE ENGINEERING GROUP
1500K 1ST AVENUE, S.
DENVER, CO 80202
PH: 719.570.1100
CONTACT: RICHARD L. SCHINDLER, P.E.
EMAIL: Rich@ceg1.com

DATE: ###/###/###
DESCRIPTION: ###/###/###
NO. ###/###/###
PREPARED FOR: EAGLE DEVELOPMENT
212 N. WAHSATCH AVE, SUITE 301
COLORADO SPRINGS, COLORADO 80903
PROJECT: ANTELOPE RIDGE AT BULL HILL PHASE 1
FONTANE BLVD/MARKSHEFFEL RD
COLORADO SPRINGS, CO
CONTACT: JEFF MARK

DRAWN: BRN
DESIGNED: RLS
CHECKED: RLS

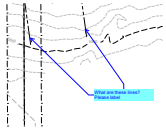
GRADING AND EROSION CONTROL
DETAILS

PRELIMINARY

DATE: APR., 2026
PROJECT NO. 100.302
SHEET NUMBER C12.4
TOTAL SHEETS: 25

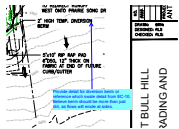
V4_GEC Plans - Early Grading.pdf Markup Summary

Callout (2)



Subject: Callout
Page Label: C4.10
Author: CDurham
Date: 5/19/2026 4:21:45 PM
Status:
Color: ■
Layer:
Space:

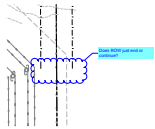
What are these lines? Please label



Subject: Callout
Page Label: C4.10
Author: CDurham
Date: 5/19/2026 4:43:02 PM
Status:
Color: ■
Layer:
Space:

Provide detail for diversion berm or reference which swale detail from EC-10. Believe berm should be more than just dirt, as flows will erode at sides.

Cloud+ (1)



Subject: Cloud+
Page Label: C4.10
Author: CDurham
Date: 5/19/2026 4:21:27 PM
Status:
Color: ■
Layer:
Space:

Does ROW just end or continue?