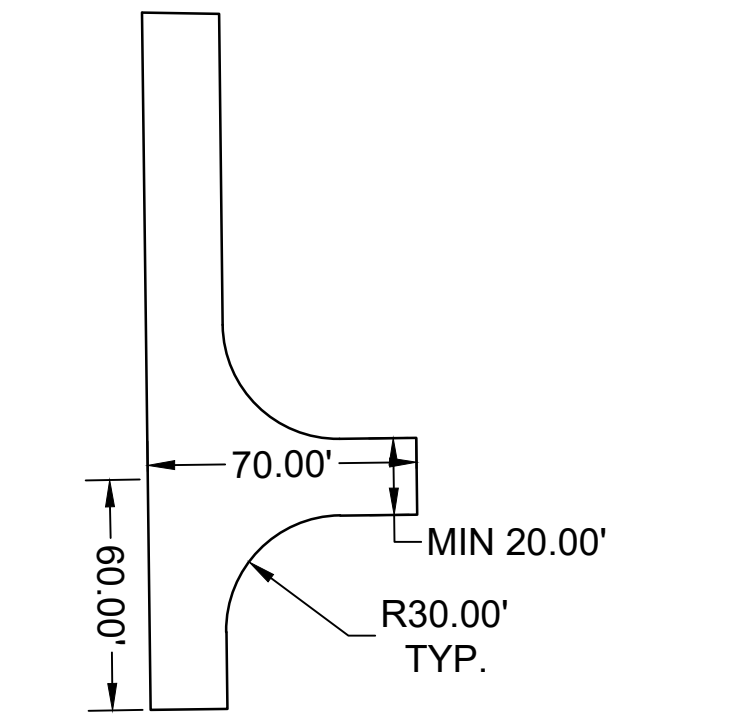
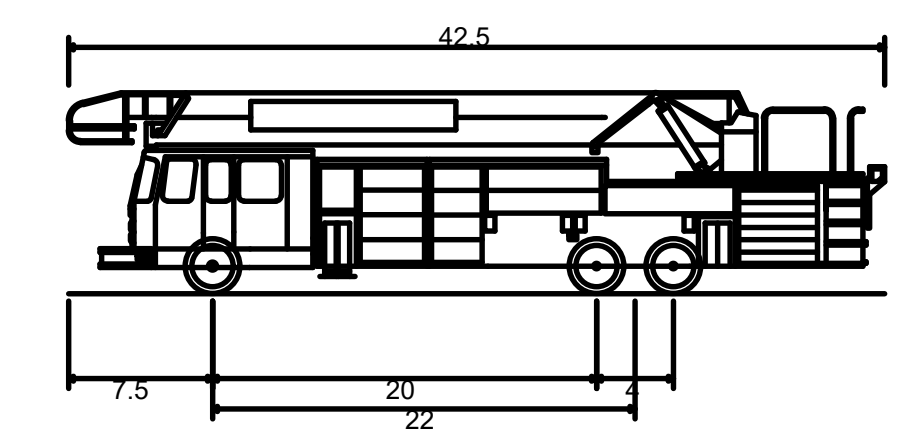


LEGEND

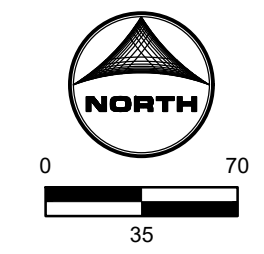
	EXISTING	PROPOSED
PROPERTY BOUNDARY	---	---
PROPERTY LINE	---	---
EASEMENT LINE	---	---
RIGHT OF WAY	---	---
CENTERLINE	---	---
FENCE	---	---
BODY OUTLINE FORWARD	---	---
BODY OUTLINE REVERSE	---	---
CHASSIS OUTLINE FORWARD	---	---
CHASSIS OUTLINE REVERSE	---	---
WHEEL PATH HATCH	---	---
SYMBOLS		
SIGN	---	---
ACCESSIBLE PARKING	---	---



ACCEPTABLE ALTERNATIVE TO 120' HAMMERHEAD PER FALCON FIRE DISTRICT IFC CODE AMENDMENTS SECTION D103.1



CSFD Apparatus	
Overall Length	42.500ft
Overall Width	8.420ft
Overall Body Height	10.461ft
Min Body Ground Clearance	0.892ft
Track Width	8.170ft
Lock-to-lock time	5.00s
Max Steering Angle (Virtual)	44.00°



Job No.:	2202654	FIRE APPARATUS TURNING MOVEMENT EXHIBIT
Prepared By:	AXB	
Date:	10/2/2023	