

RUNGE ARCHITECTURE

CHARLES W. RUNGE, JR., ARCHITECT
5315 GERMAINE CT.
COLORADO SPRINGS, CO 80919
PHONE: (719) 260-0039
EMAIL: chuckrunge@comcast.net

CEMETERY FOR

ST. JOHN
THE BAPTIST
ORTHODOX CHURCH
7530 MOHAWK RD.
COLORADO SPRINGS, CO

REVISIONS:

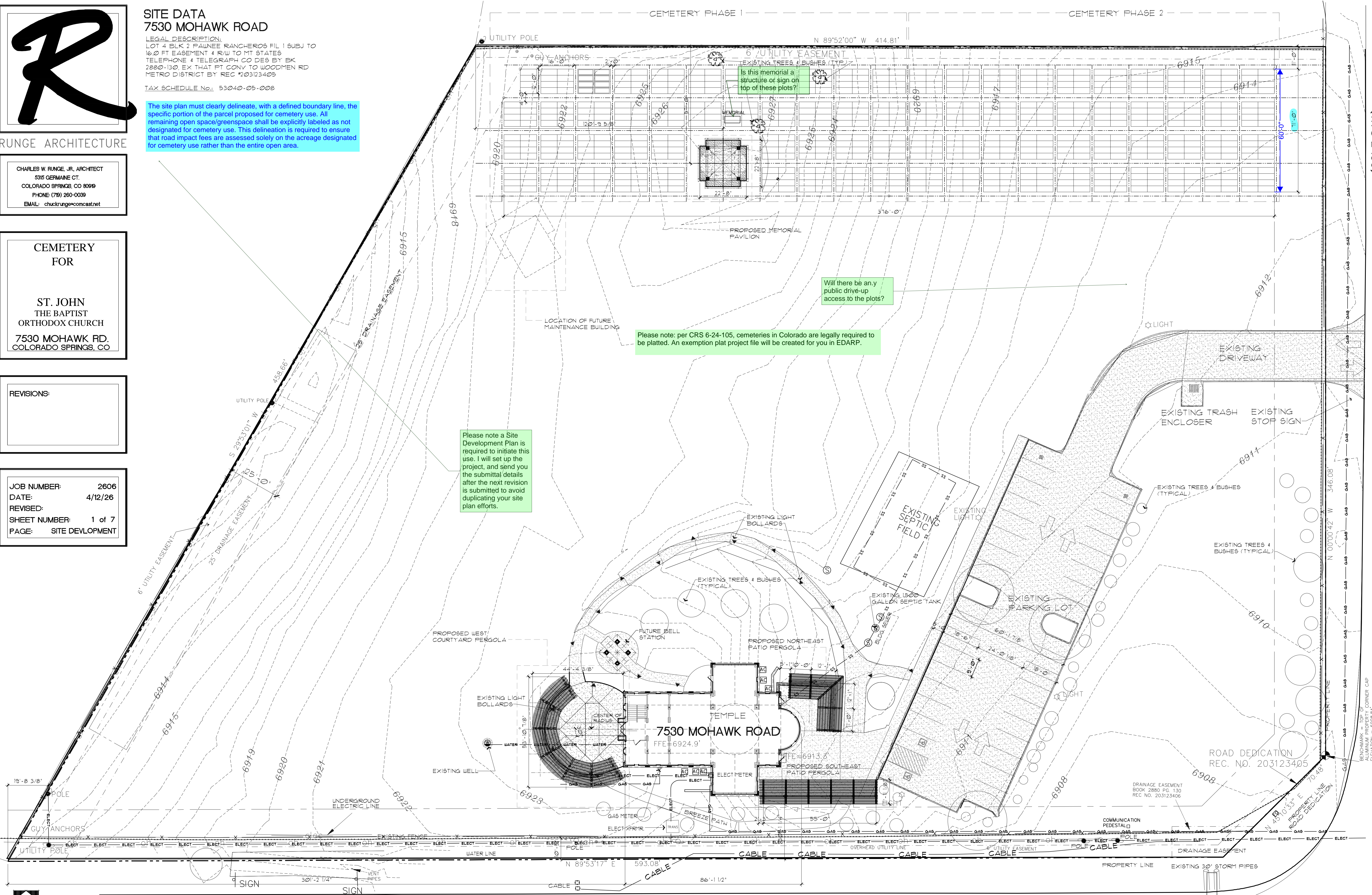
JOB NUMBER: 2606
DATE: 4/12/26
REVISED:
SHEET NUMBER: 1 of 7
PAGE: SITE DEVELOPMENT

SITE DATA 7530 MOHAWK ROAD

LEGAL DESCRIPTION:
LOT 4 BLK 2 PAWNEE RANCHEROS FIL 1 SUBJ TO
16.0 FT EASEMENT 4 R/W TO MT STATES
TELEPHONE 4 TELEGRAPH CO DES BY BK
2880-130 EX THAT FT CONV TO WOODMEN RD
METRO DISTRICT BY REC #203123405

TAX SCHEDULE No.: 53040-05-008

The site plan must clearly delineate, with a defined boundary line, the specific portion of the parcel proposed for cemetery use. All remaining open space/greenspace shall be explicitly labeled as not designated for cemetery use. This delineation is required to ensure that road impact fees are assessed solely on the acreage designated for cemetery use rather than the entire open area.



Please note a Site Development Plan is required to initiate this use. I will set up the project, and send you the submittal details after the next revision is submitted to avoid duplicating your site plan efforts.

Please note: per CRS 6-24-105, cemeteries in Colorado are legally required to be plated. An exemption plat project file will be created for you in EDARP.

Will there be any public drive-up access to the plots?

Is this memorial a structure or sign on top of these plots?

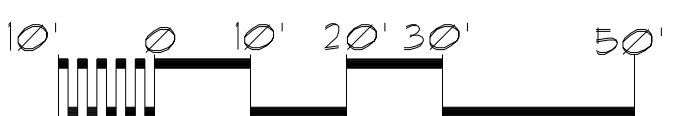
Add road classification to label:
Urban Local

Public

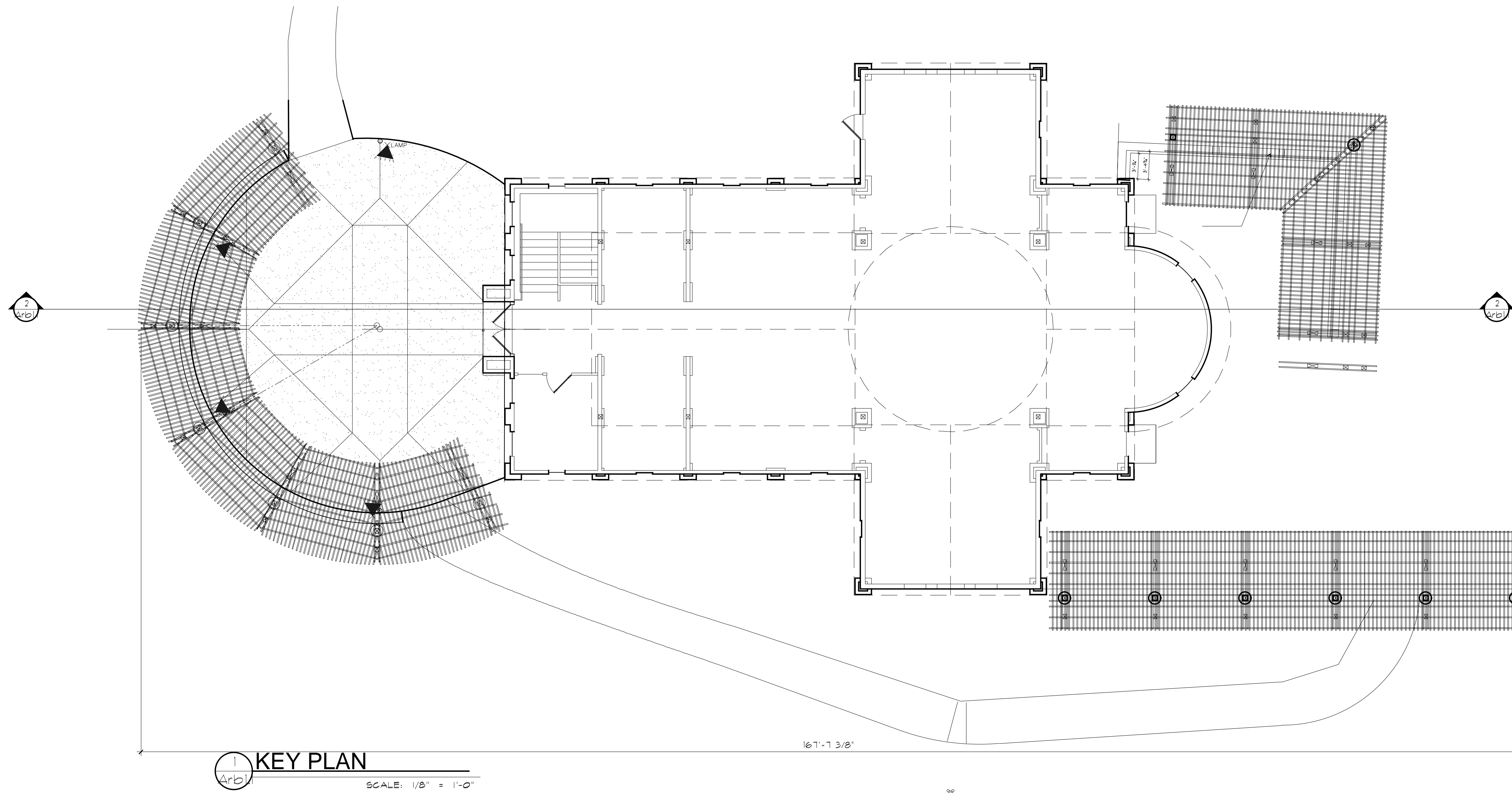
MOWHAWK ROAD (60' R.O.W.)

SITE PLAN

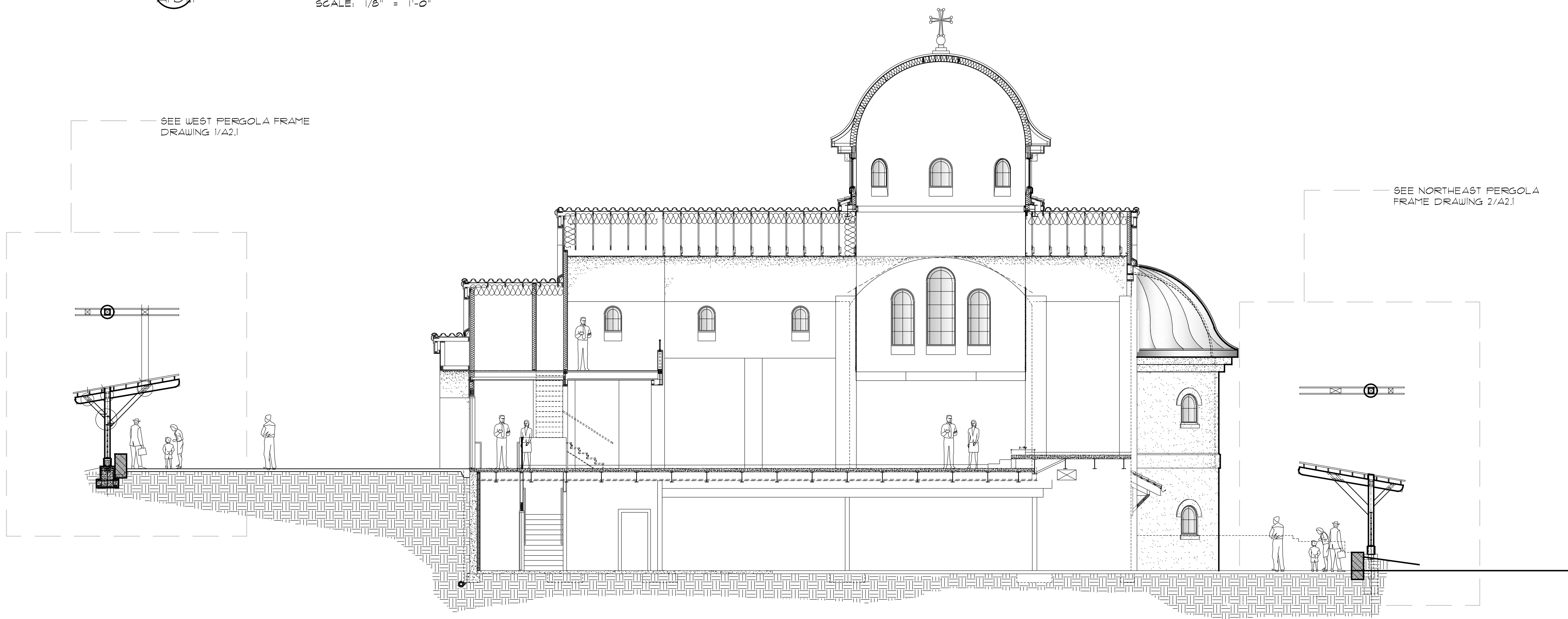
SCALE: 1" = 20'-0"



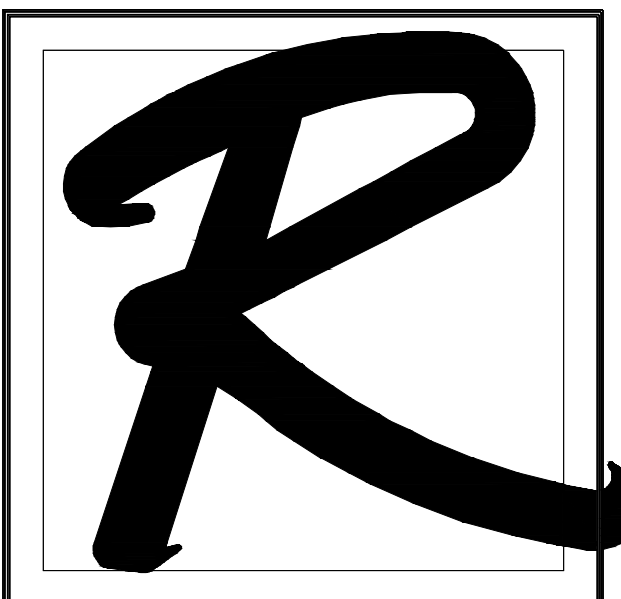
WOODMEN FRONTAGE ROAD



1 KEY PLAN
Arb1 SCALE: 1/8" = 1'-0"



2 SITE SECTION
Arb1 SCALE: 1/8" = 1'-0"



RUNGE ARCHITECTURE

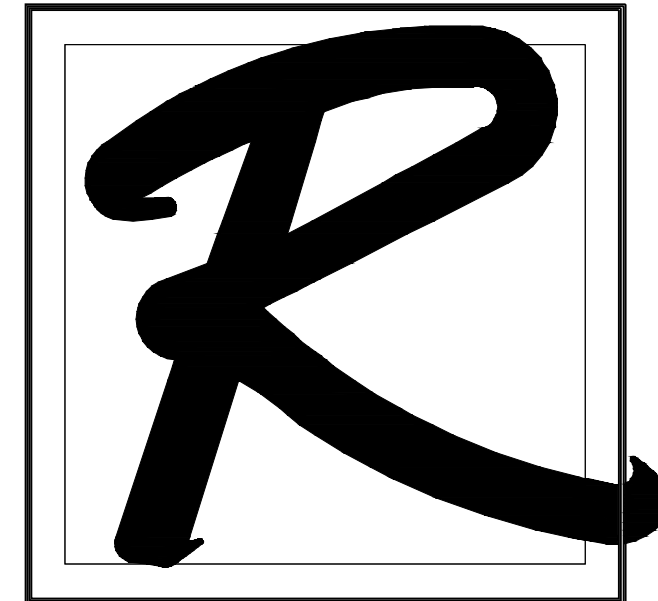
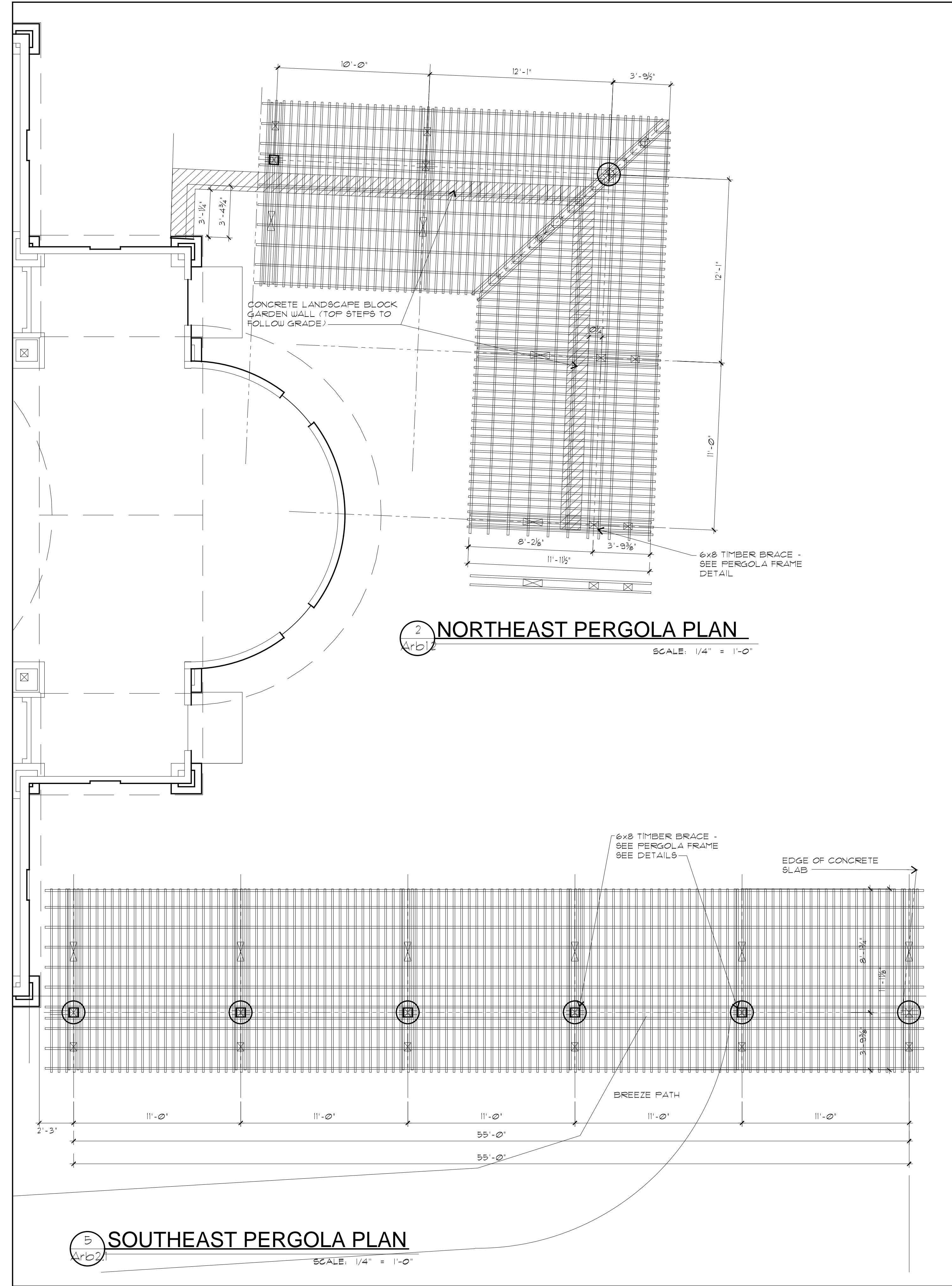
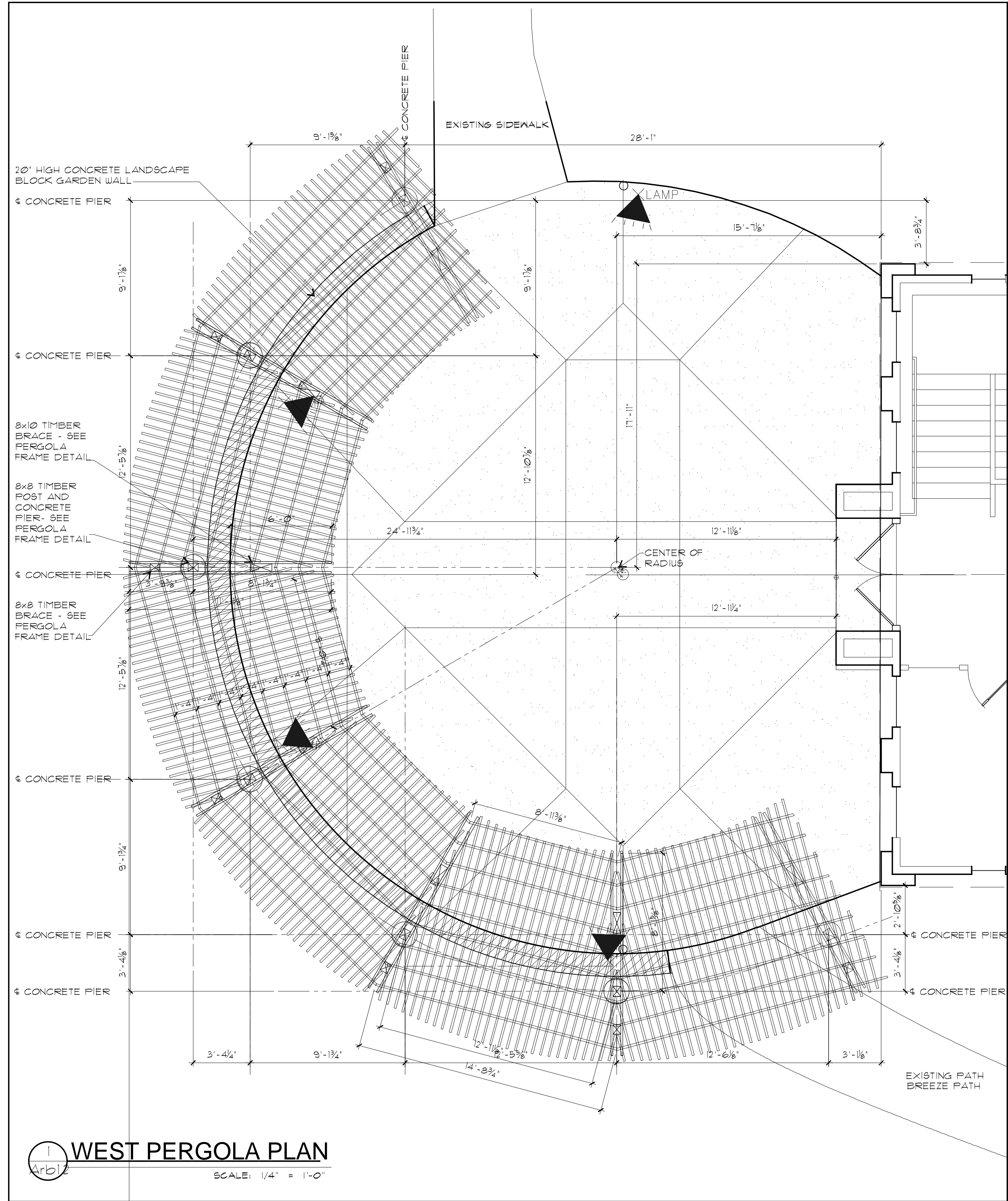
CHARLES W. RUNGE, JR., ARCHITECT
5315 GERMAINE CT.
COLORADO SPRINGS, CO 80919
PHONE: (719) 260-0039
EMAIL: chuckrunge@comcast.net

CEMETERY
FOR

ST. JOHN
THE BAPTIST
ORTHODOX CHURCH
7530 MOHAWK RD.
COLORADO SPRINGS, CO

REVISIONS:

JOB NUMBER: 2606
DATE: 4/12/26
REVISED:
SHEET NUMBER: 2 of 7
PAGE: Arb11



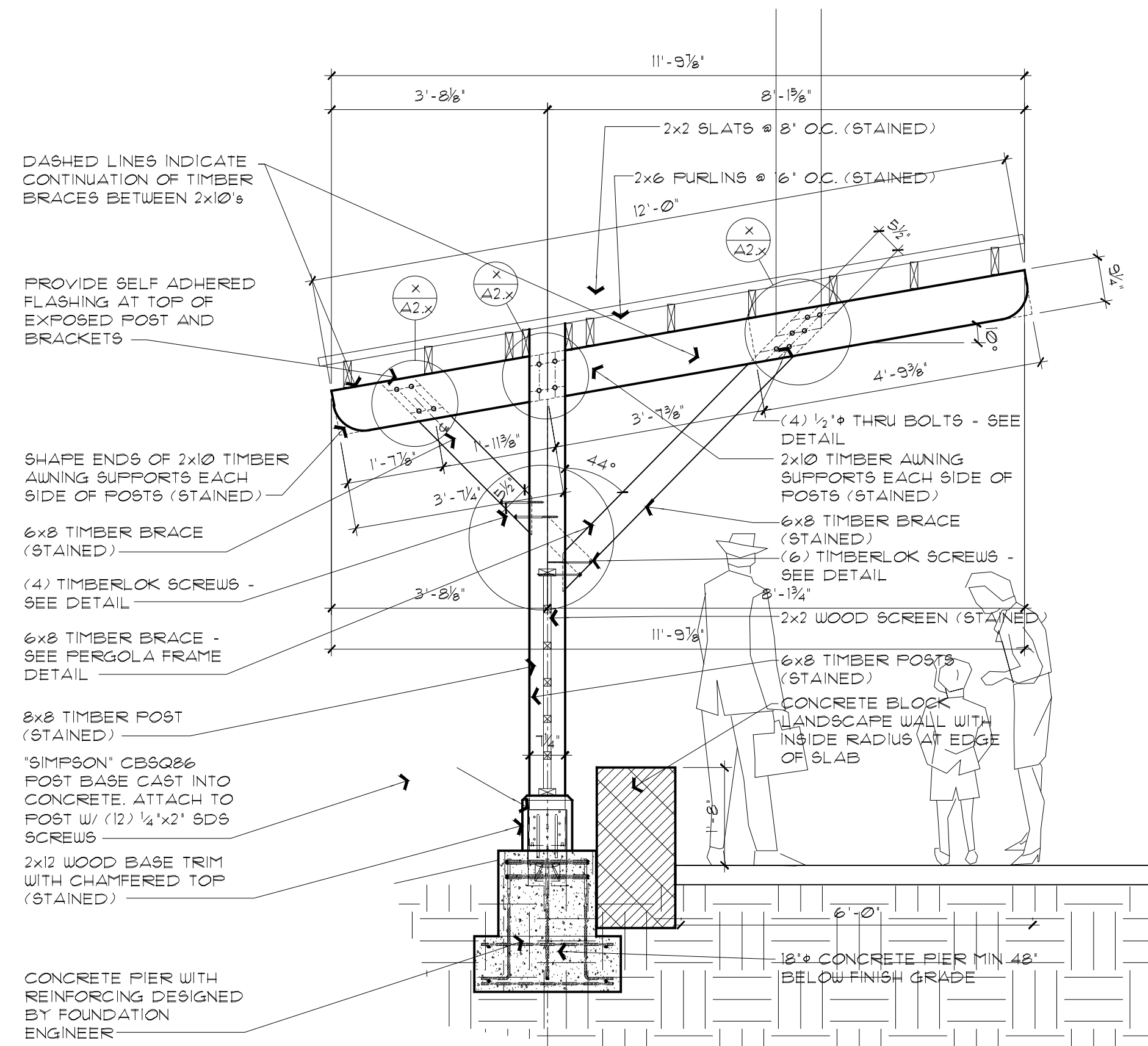
RUNGE ARCHITECTURE

CHARLES W. RUNGE, JR., ARCHITECT
5315 GERMAINE CT.
COLORADO SPRINGS, CO 80919
PHONE: (719) 260-0039
EMAIL: chuckrunge@comcast.net

CEMETERY FOR
ST. JOHN
THE BAPTIST
ORTHODOX CHURCH
7530 MOHAWK RD.
COLORADO SPRINGS, CO

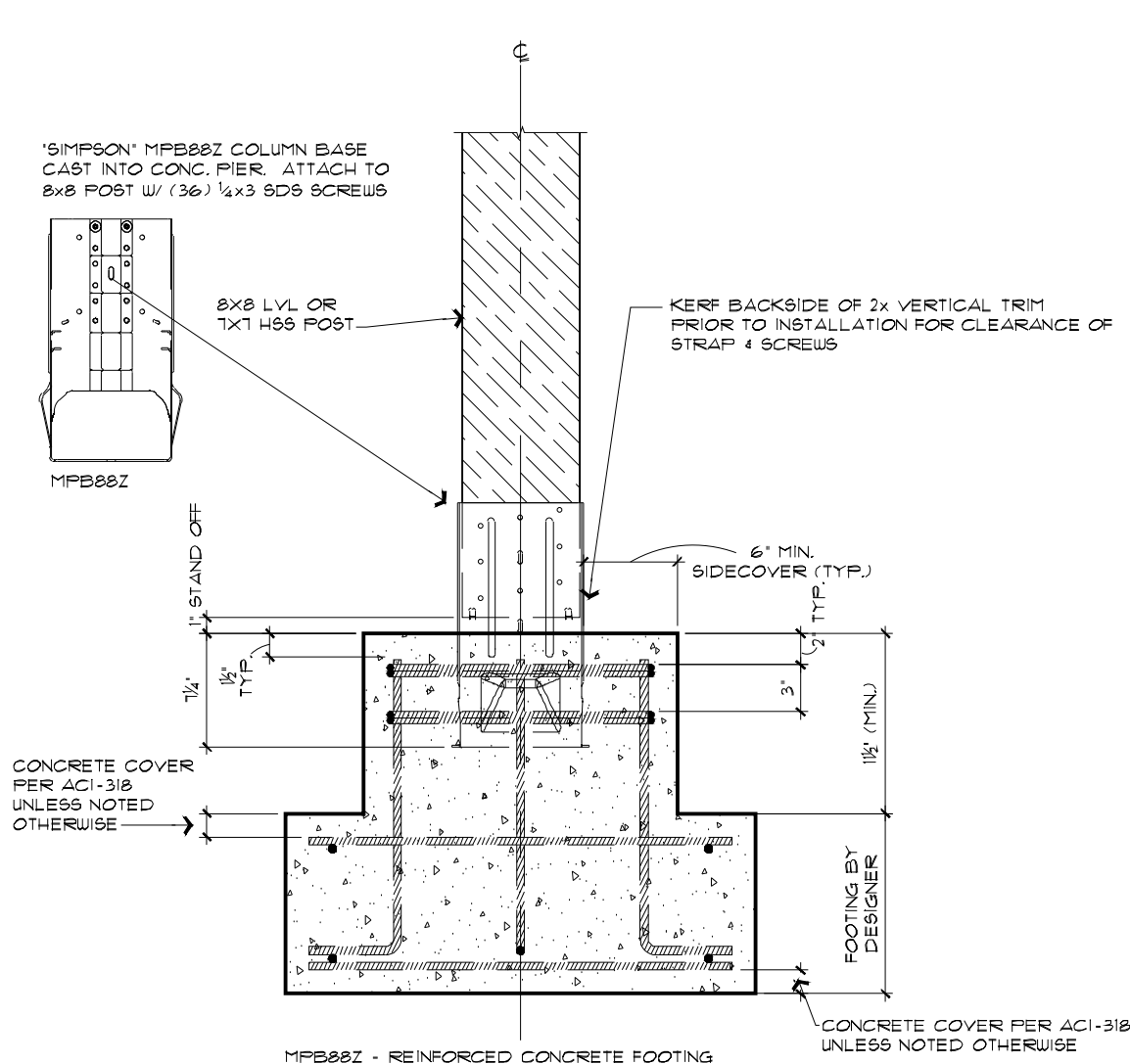
REVISIONS:

JOB NUMBER: 2606
DATE: 4/12/26
REVISED:
SHEET NUMBER: 3 of 7
PAGE: Arb12



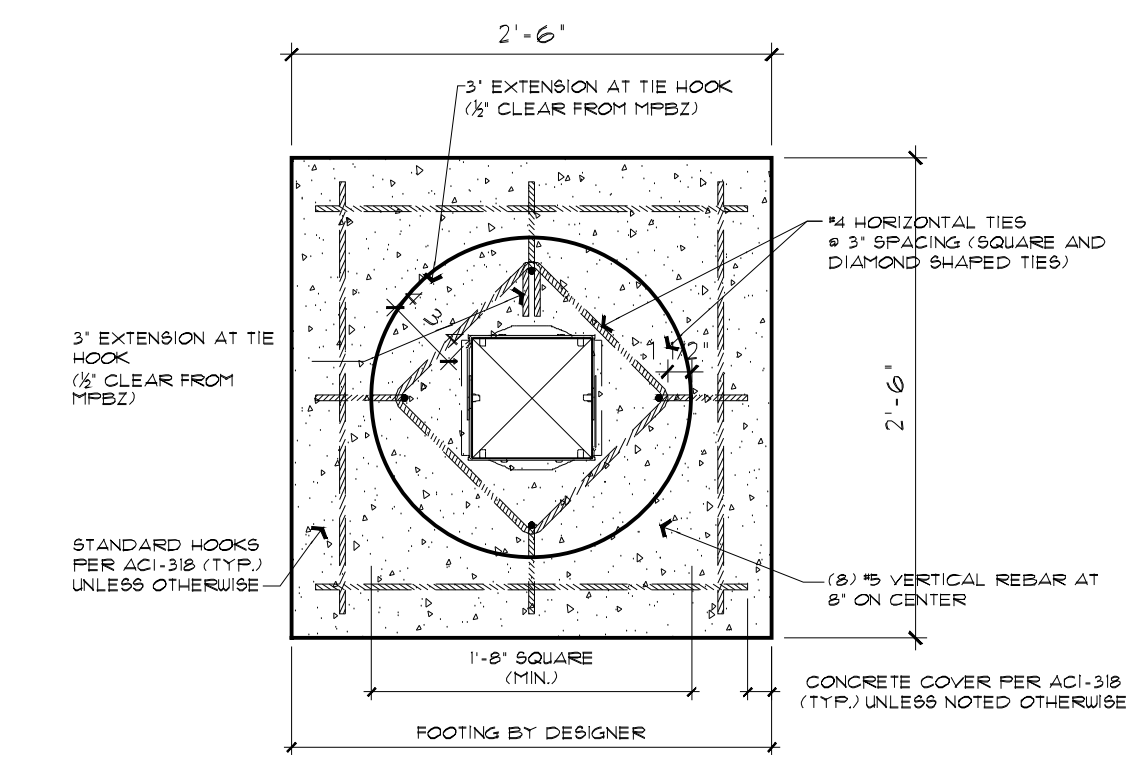
SECTION OF WEST PERGOLA FRAME

SCALE: 1/2" = 1'-0"



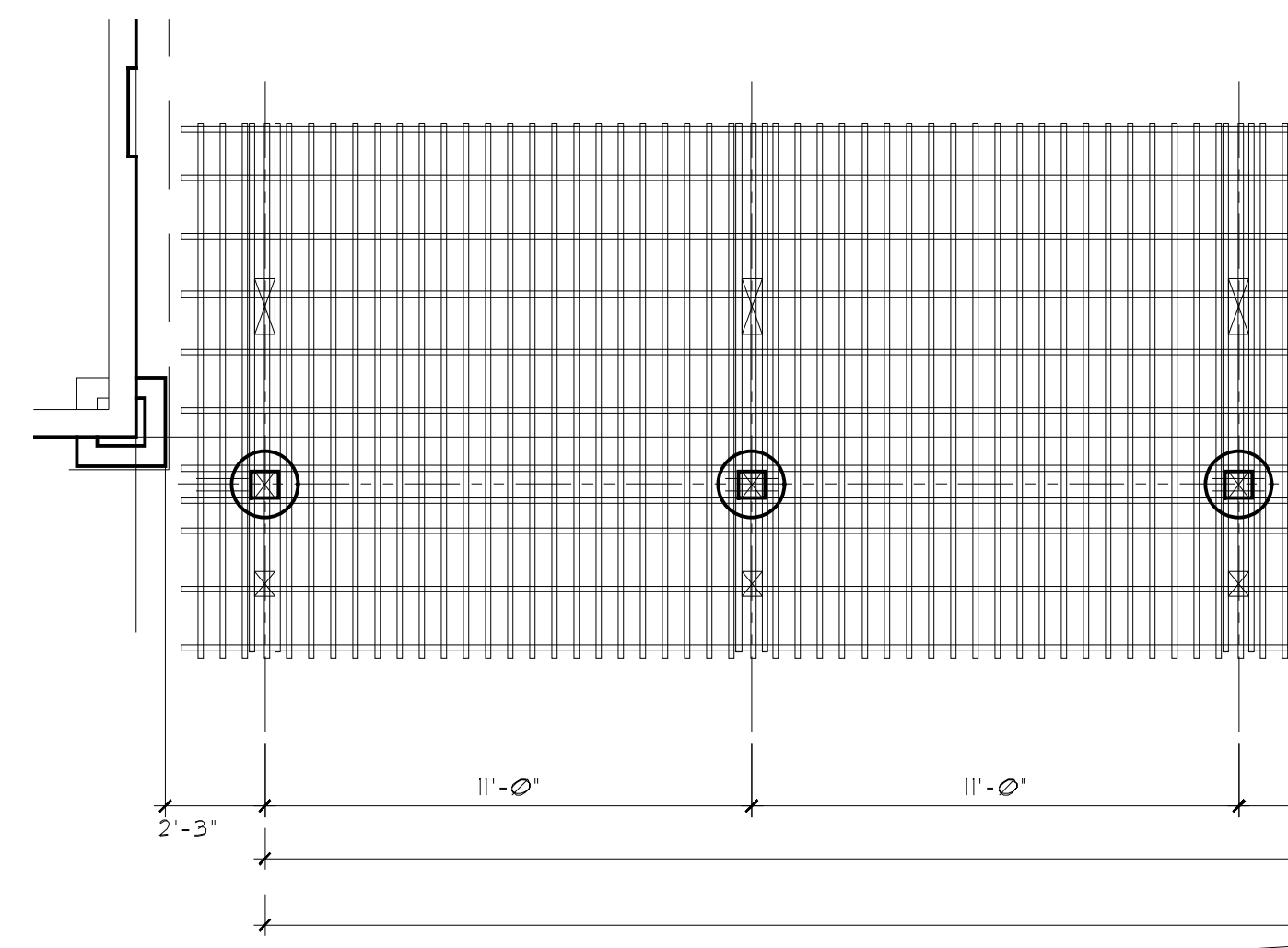
COLUMN PAD SECTION

SCALE: 1/2" = 1'-0"



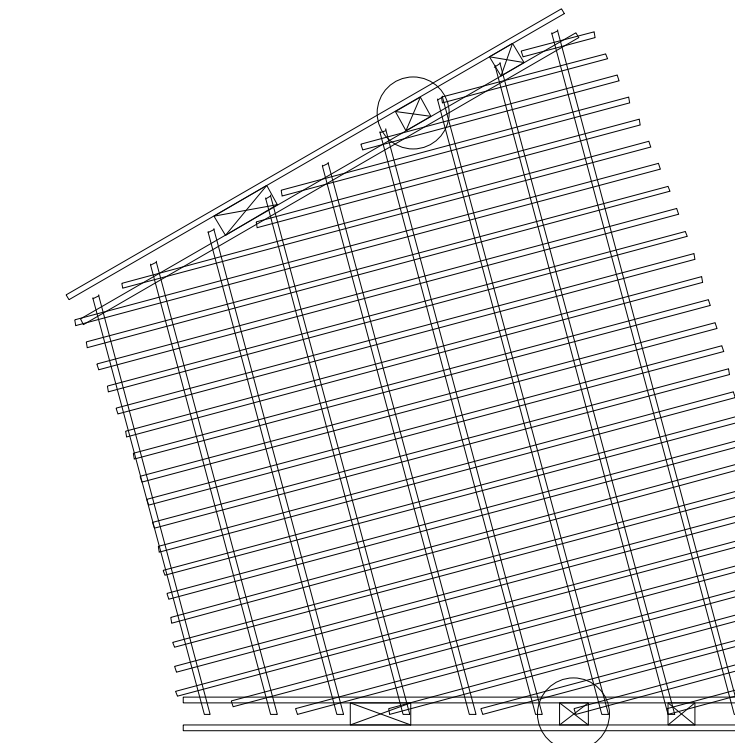
COLUMN PAD PLAN SECTION

SCALE: 1/2" = 1'-0"



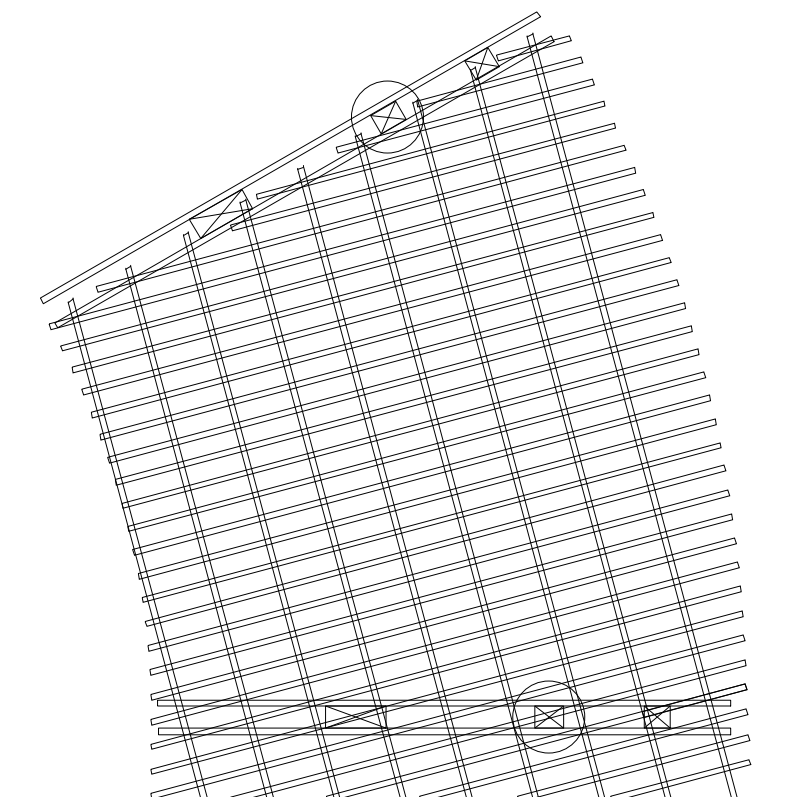
SOUTHEAST PERGOLA PLAN

SCALE: 1/4" = 1'-0"



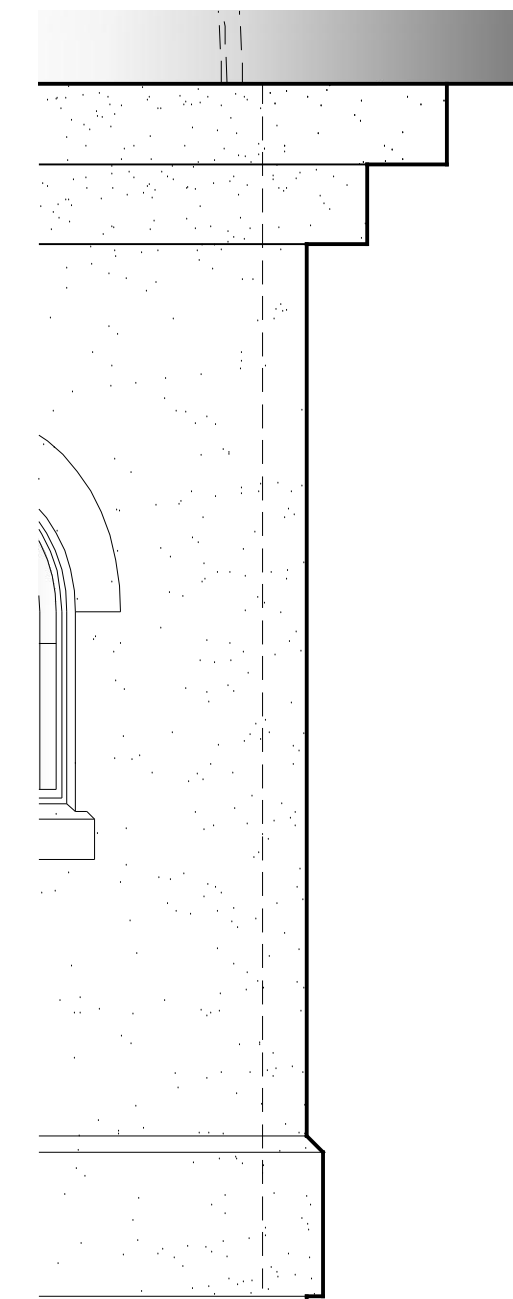
TYPICAL WEST PERGOLA PLAN

SCALE: 1/4" = 1'-0"



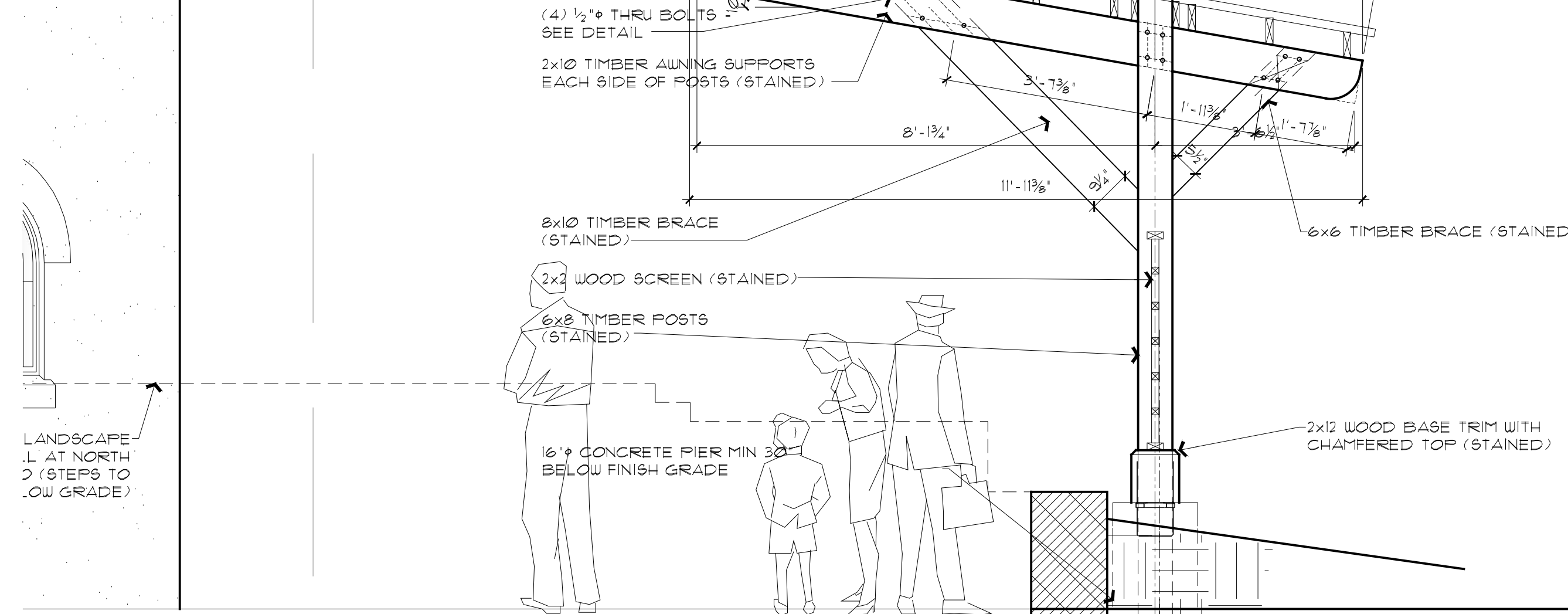
TYPICAL WEST PERGOLA END PLAN

SCALE: 1/4" = 1'-0"



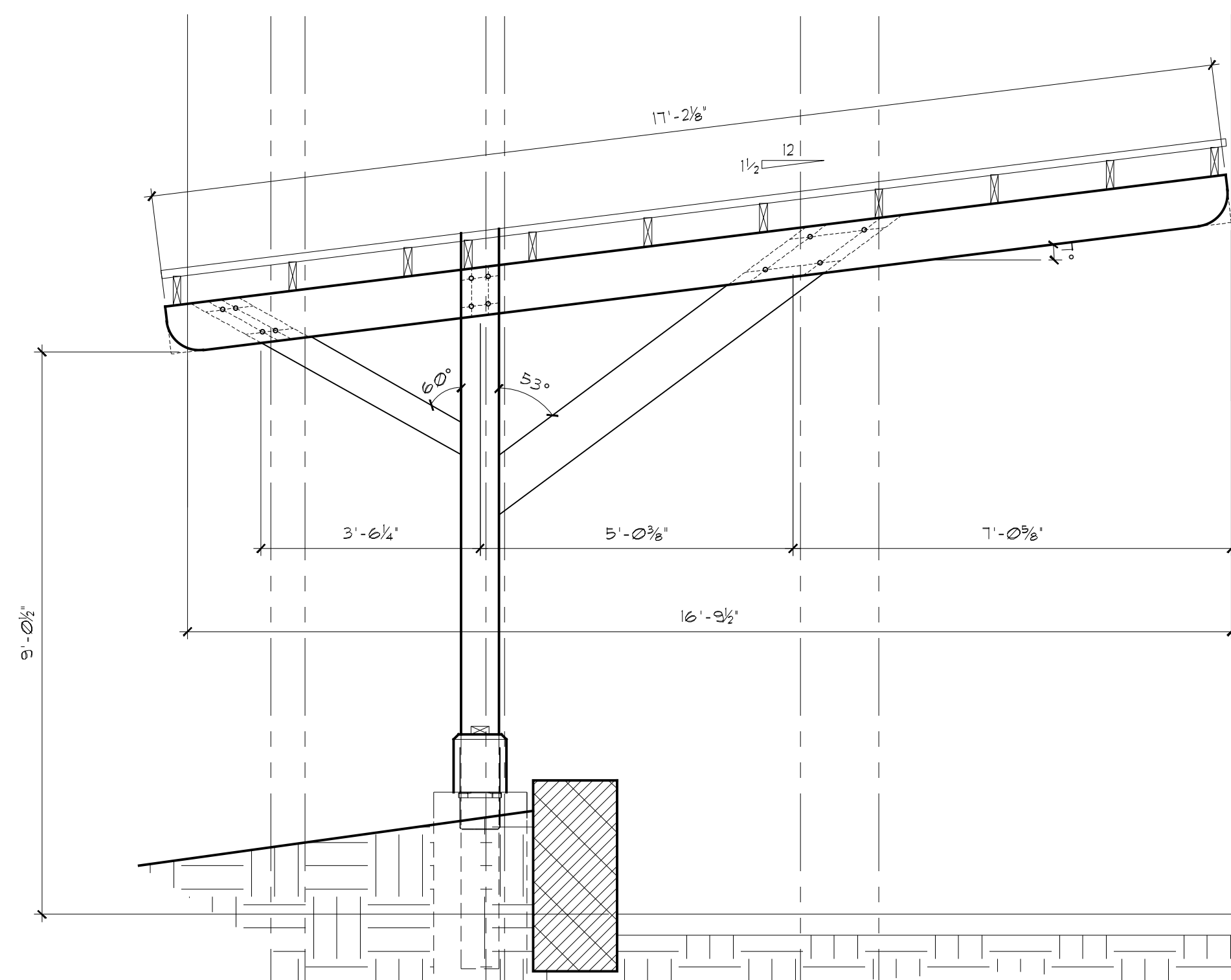
PLAN DETAIL OF EAST PERGOLA FRAME

SCALE: 1/2" = 1'-0"



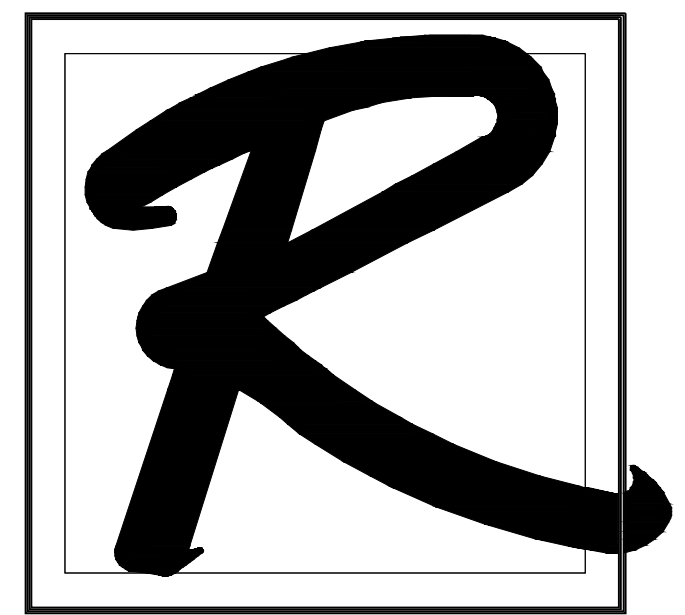
NORTHEAST PERGOLA FRAME

SCALE: 1/2" = 1'-0"



WEST PERGOLA HIP FRAME

SCALE: 1/2" = 1'-0"



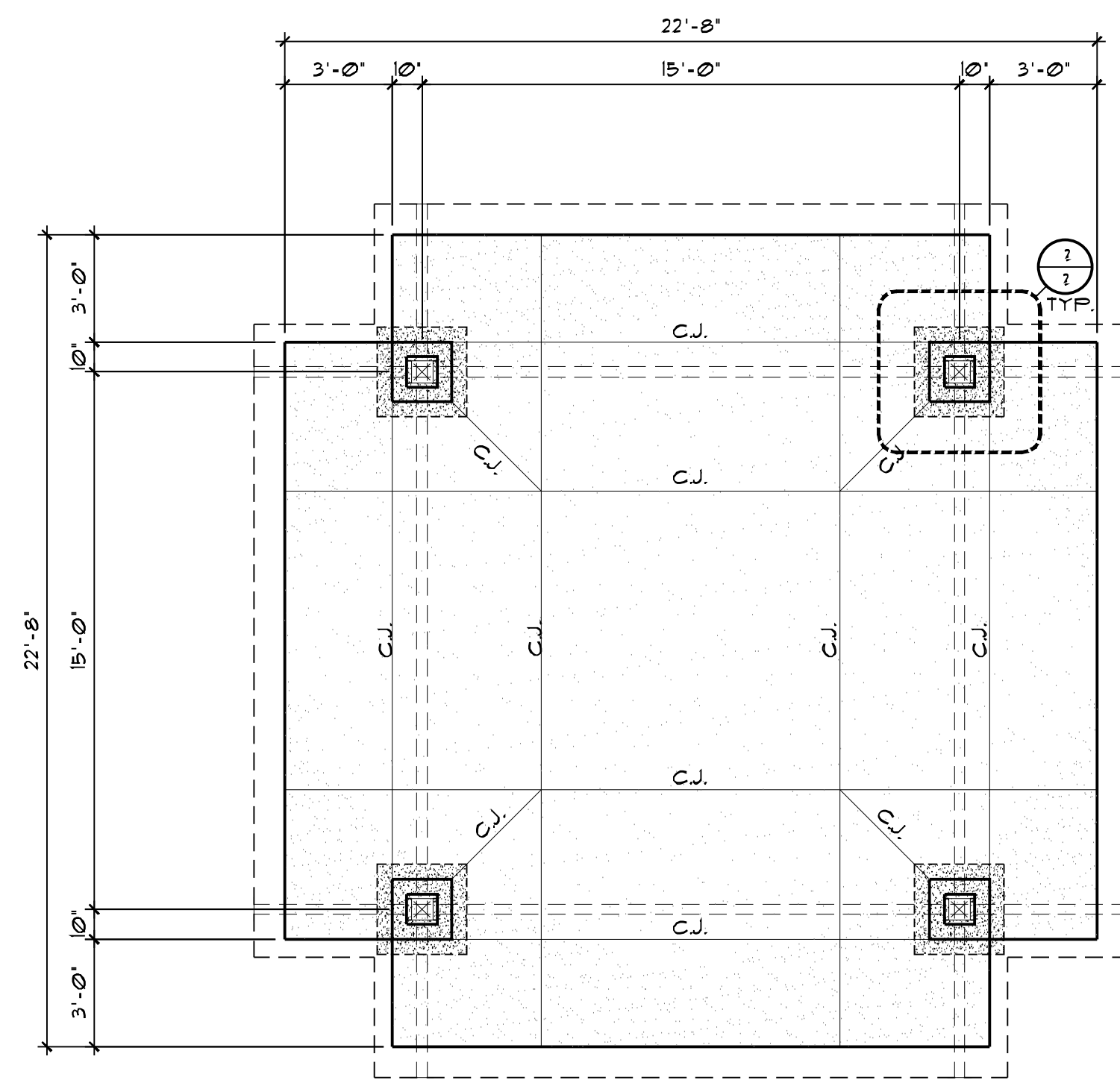
RUNGE ARCHITECTURE

CHARLES W. RUNGE, JR., ARCHITECT
5315 GERMAINE CT.
COLORADO SPRINGS, CO 80919
PHONE: (719) 260-0039
EMAIL: chuckrunge@comcast.net

CEMETERY FOR ST. JOHN THE BAPTIST ORTHODOX CHURCH
7530 MOHAWK RD. COLORADO SPRINGS, CO

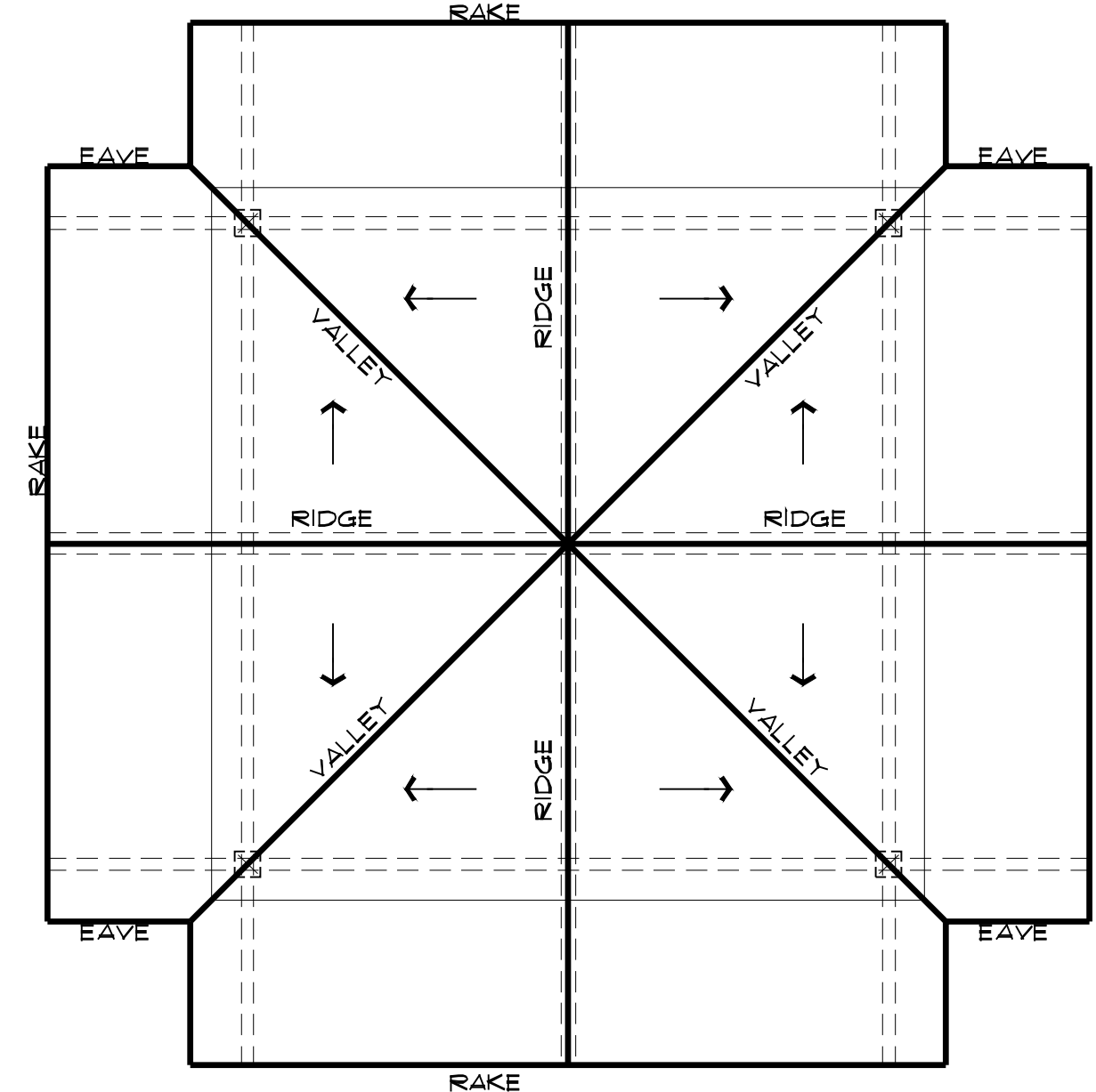
REVISIONS:

JOB NUMBER: 2606
DATE: 4/12/26
REVISED:
SHEET NUMBER: 4 of 7
PAGE: A21



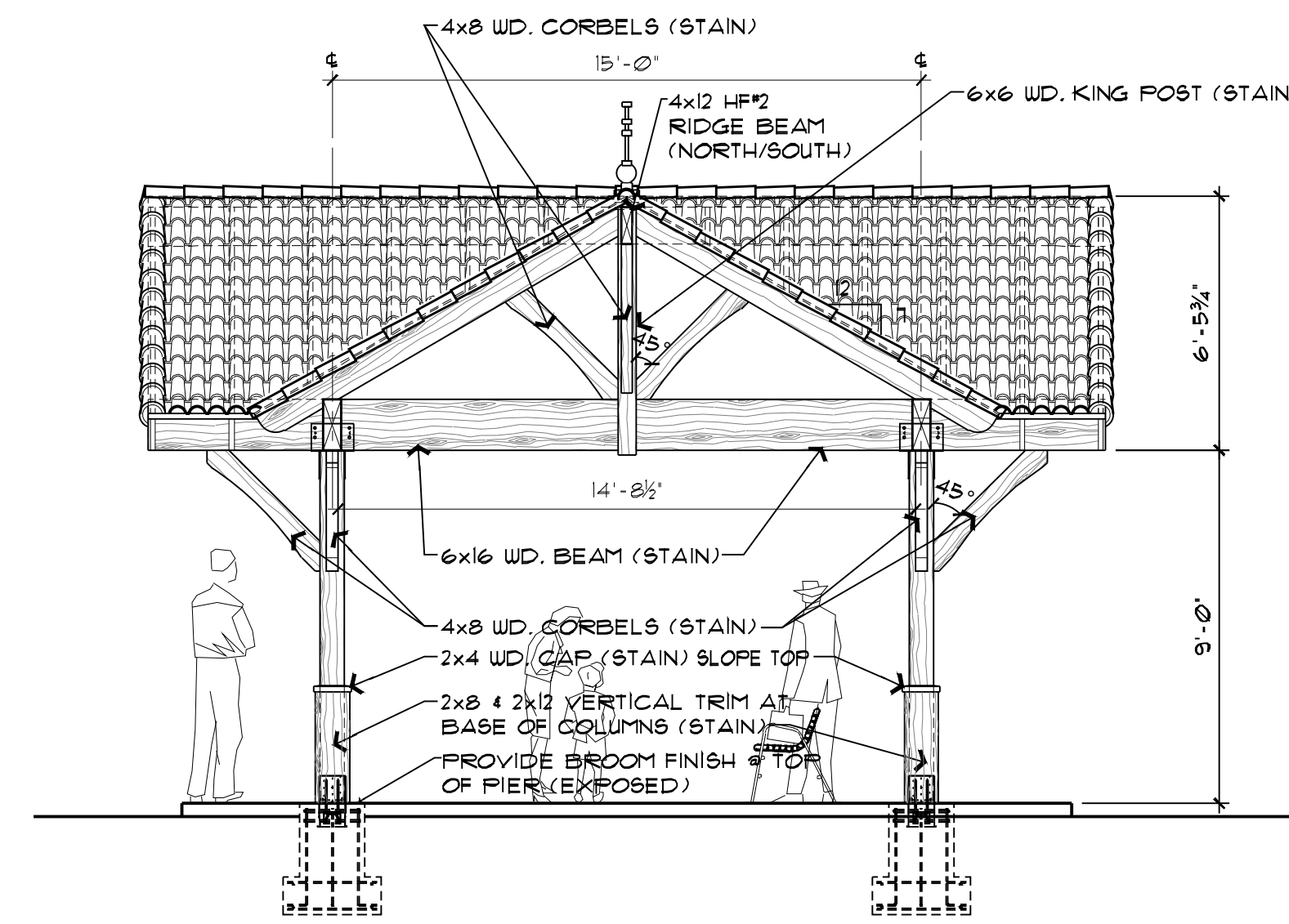
PLAN OF MEMORIAL PAVILION

SCALE: 1/4" = 1'-0"



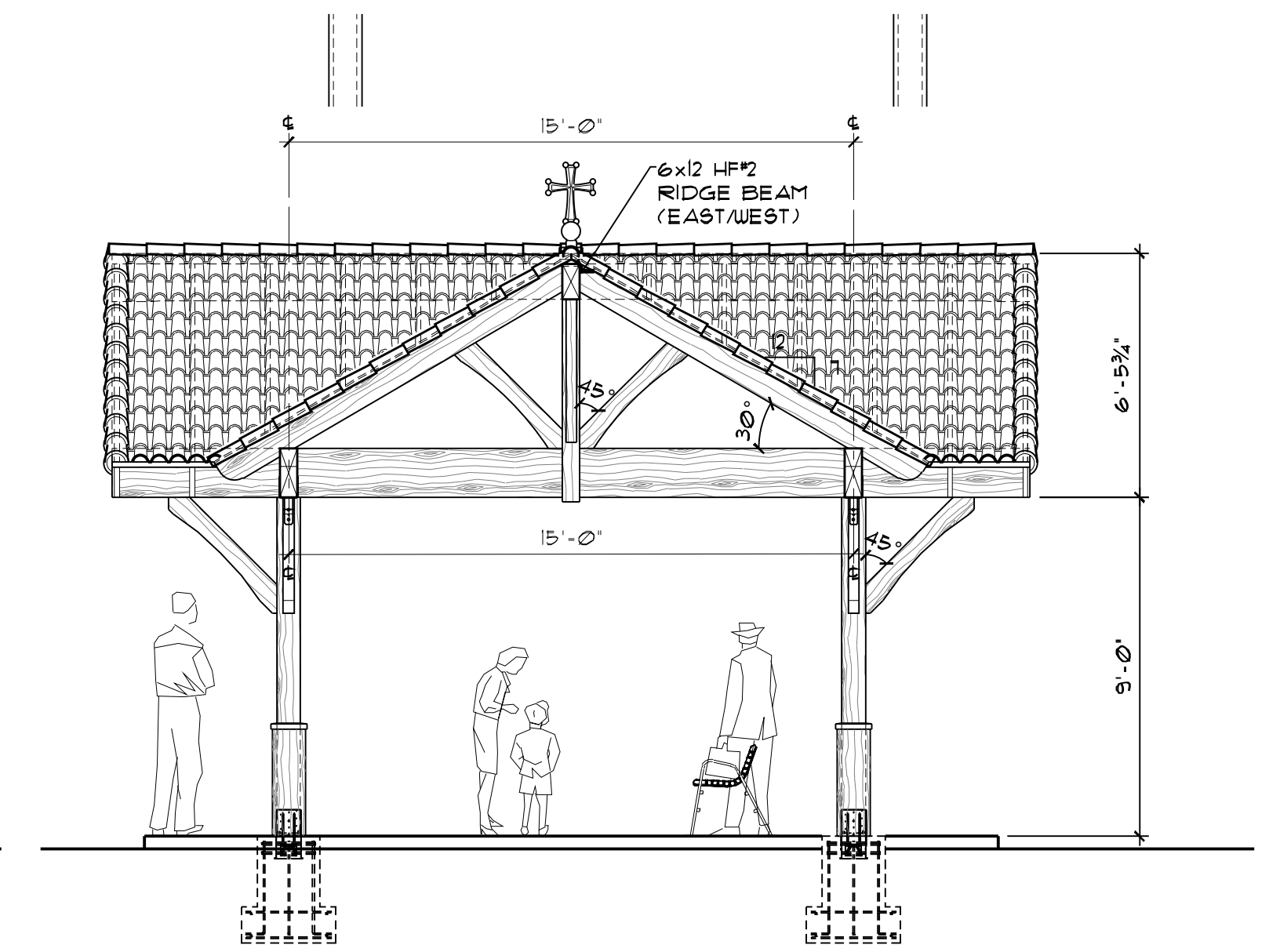
ROOF PLAN

SCALE: 1/4" = 1'-0"



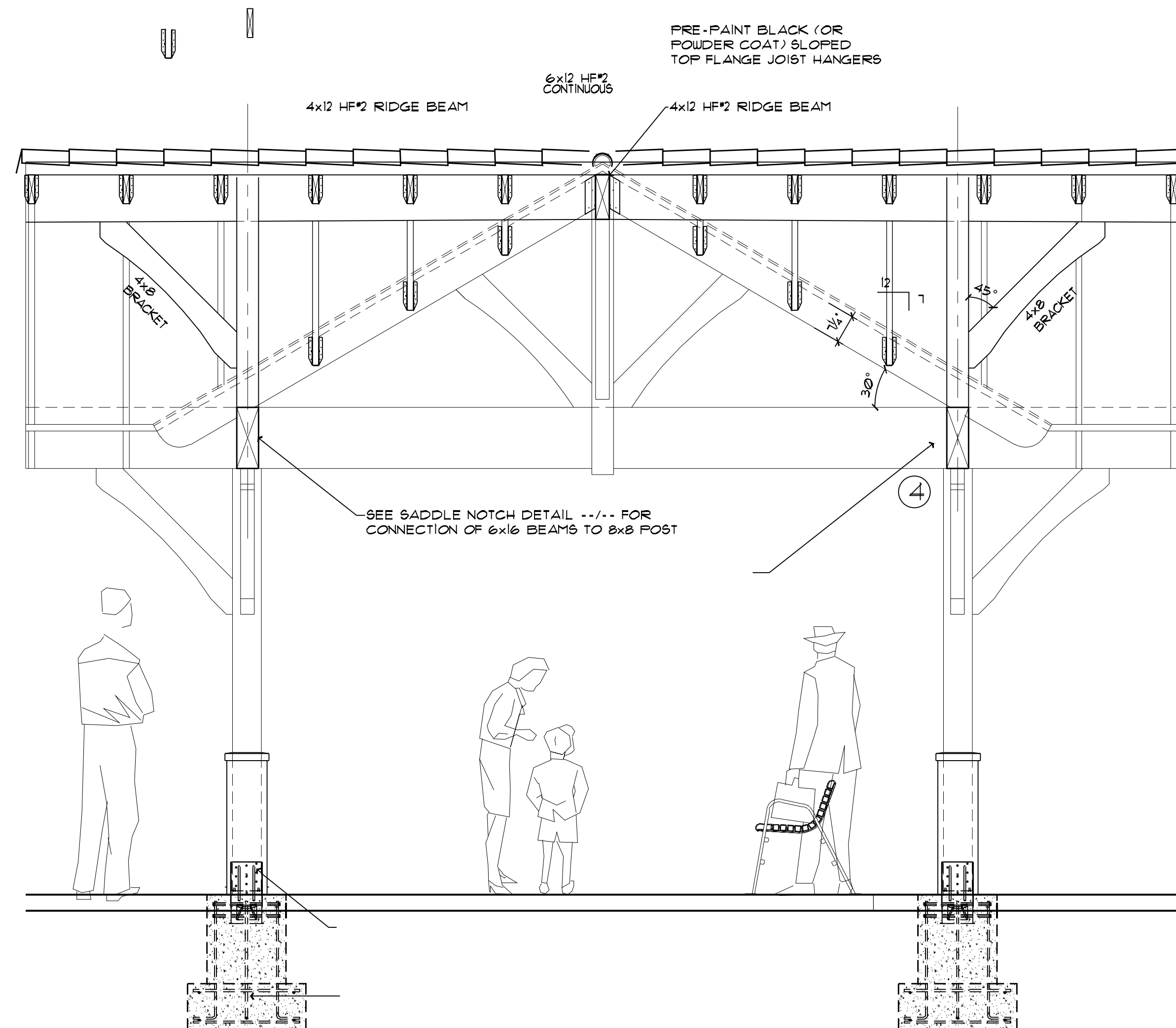
NORTH & SOUTH ELEVATIONS

SCALE: 1/4" = 1'-0"



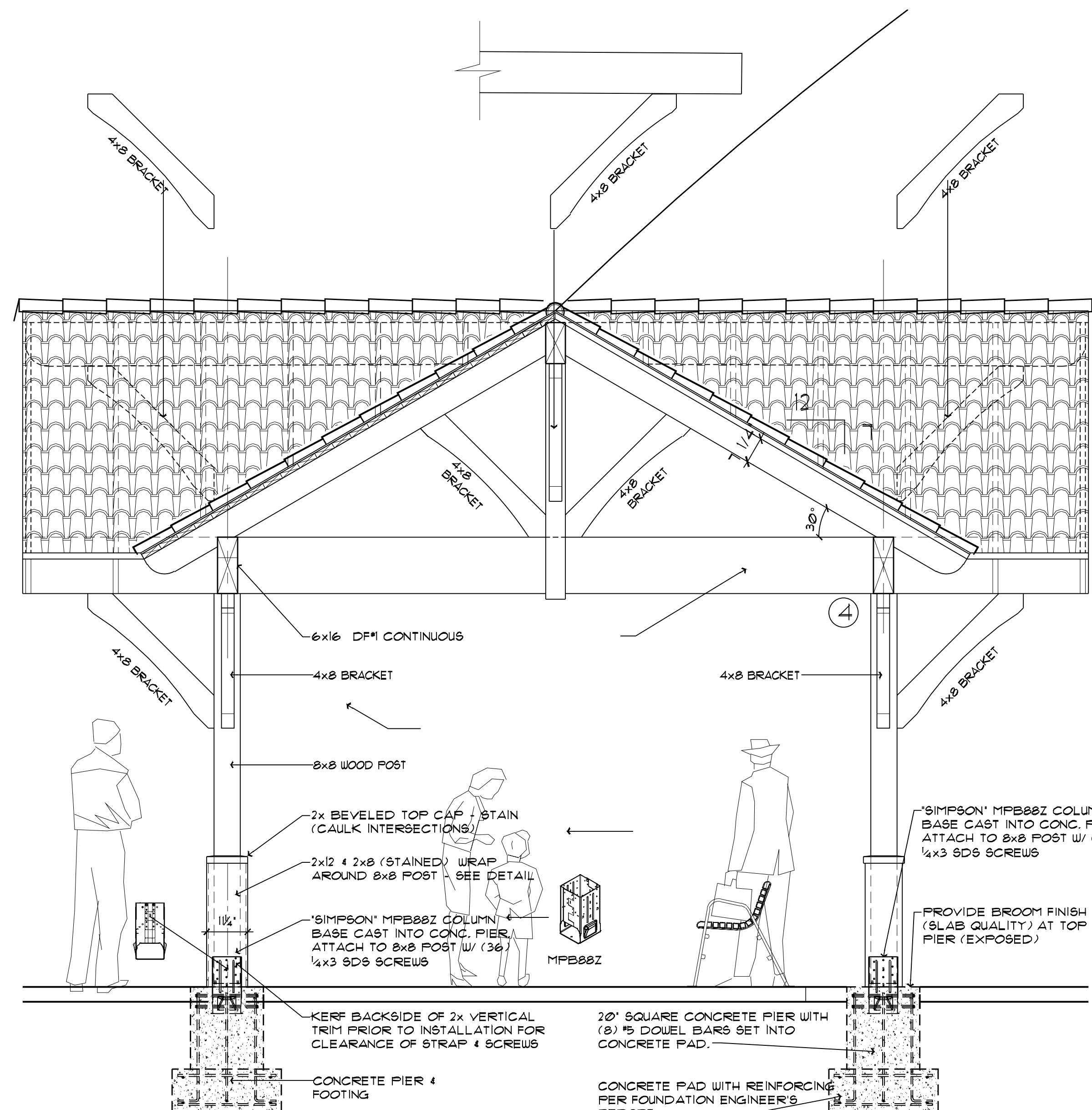
EAST & WEST ELEVATIONS

SCALE: 1/4" = 1'-0"



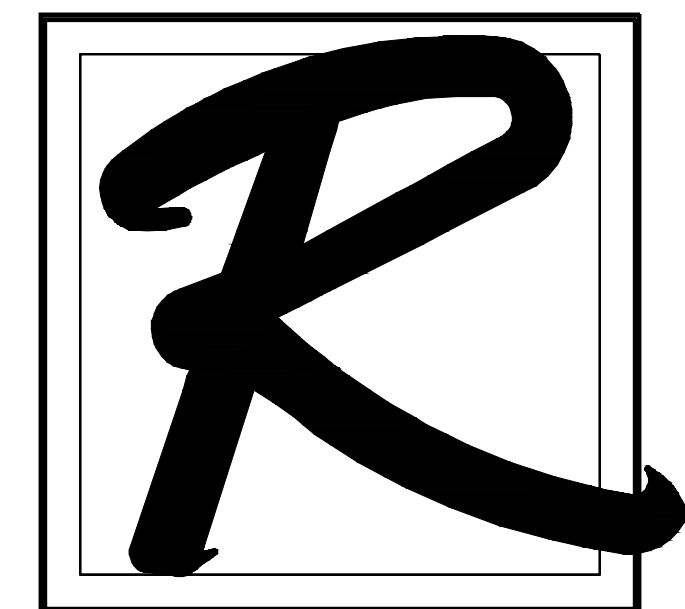
SECTION THRU PAVILION

SCALE: 1/2" = 1'-0"



SECTION THRU PAVILION

SCALE: 1/2" = 1'-0"



RUNGE ARCHITECTURE

CHARLES W. RUNGE, JR., ARCHITECT
5315 GERMAINE CT.
COLORADO SPRINGS, CO 80919
PHONE: (719) 260-0039
EMAIL: chuckrunge@comcast.net

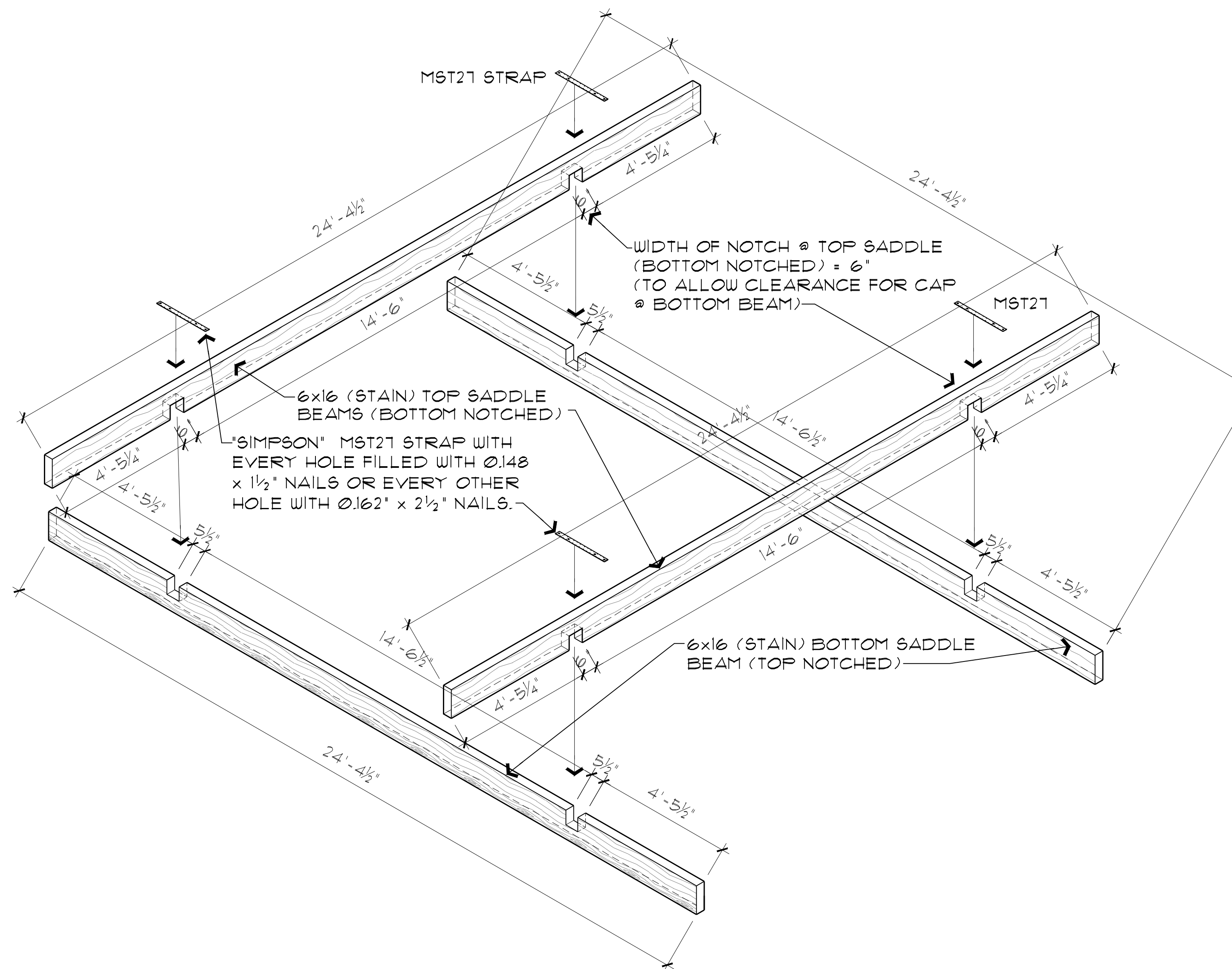
CEMETERY FOR

ST. JOHN
THE BAPTIST
ORTHODOX CHURCH

7530 MOHAWK RD.
COLORADO SPRINGS, CO

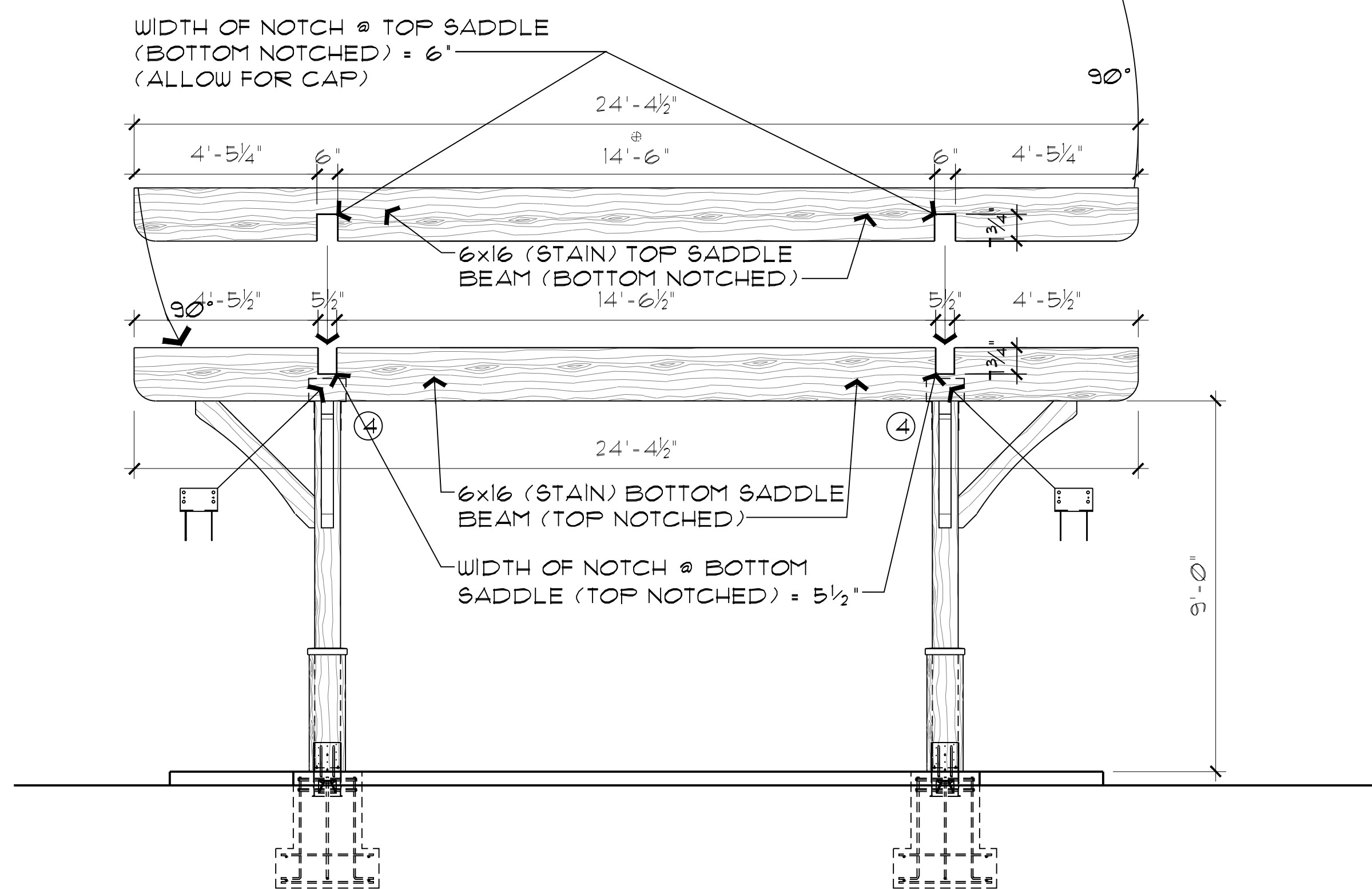
REVISIONS:

JOB NUMBER: 2606
DATE: 4/12/26
REVISED: 5 of 7
SHEET NUMBER: 5 of 7
PAGE: MP1



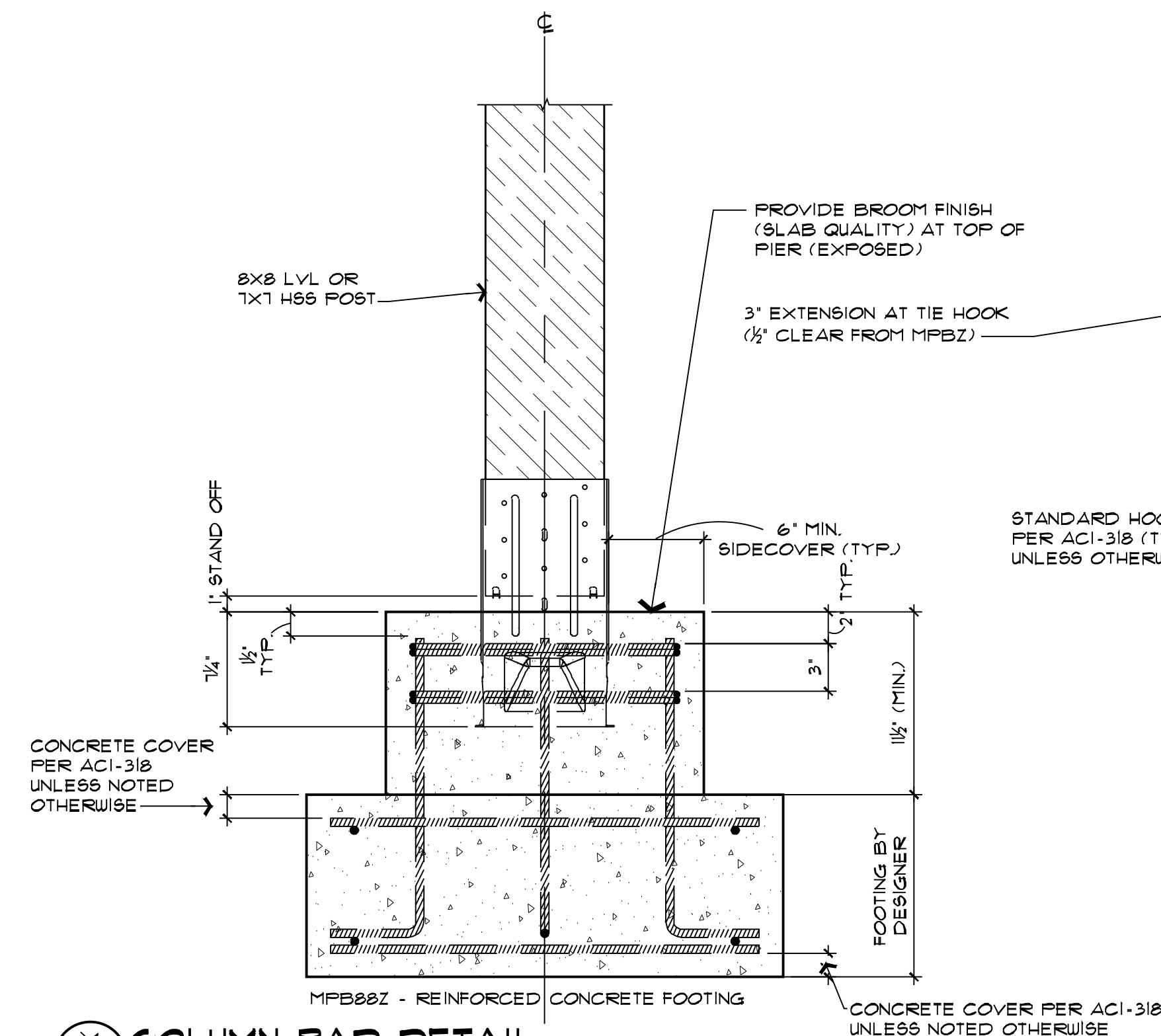
ISOMETRIC OF SADDLE NOTCH

SCALE: 1/4" = 1'-0"



ELEVATION OF SADDLE NOTCH

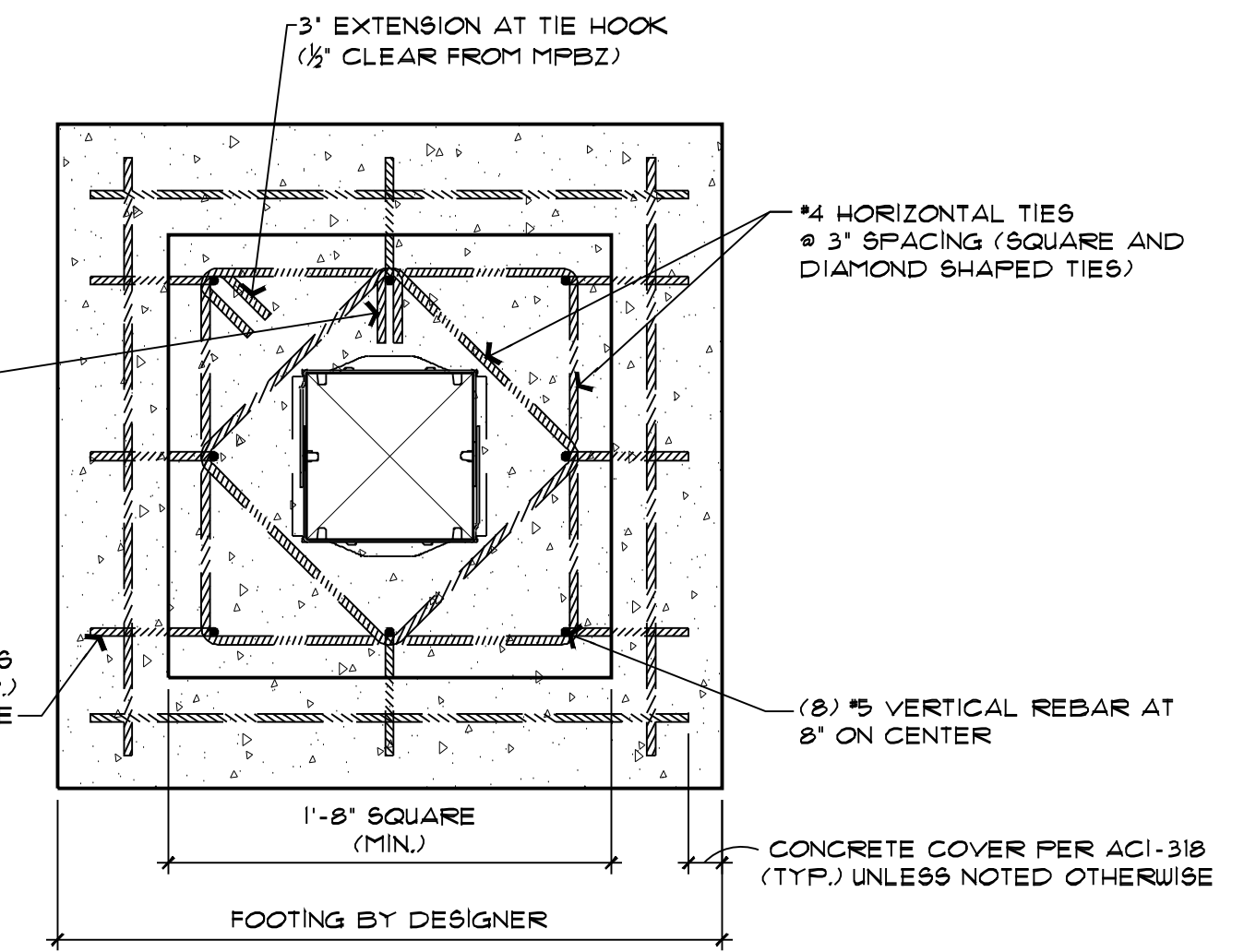
SCALE: 1/4" = 1'-0"



COLUMN PAD DETAIL

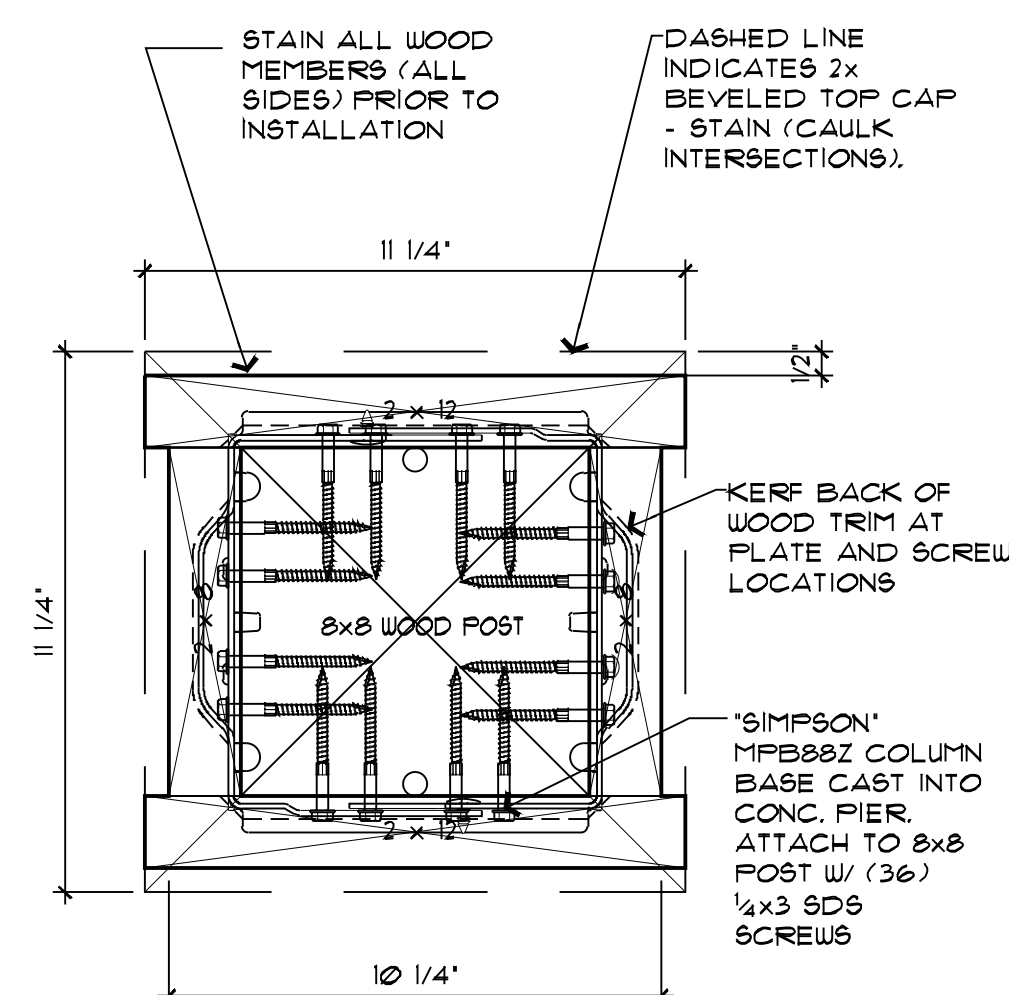
SCALE: 1 1/2" = 1'-0"

FOOTING (SIZE AND REINFORCEMENT) BY FOUNDATION ENGINEER. STANDARD HOOK GEOMETRY IN ACCORDANCE WITH ACI 318 UNLESS NOTED OTHERWISE.



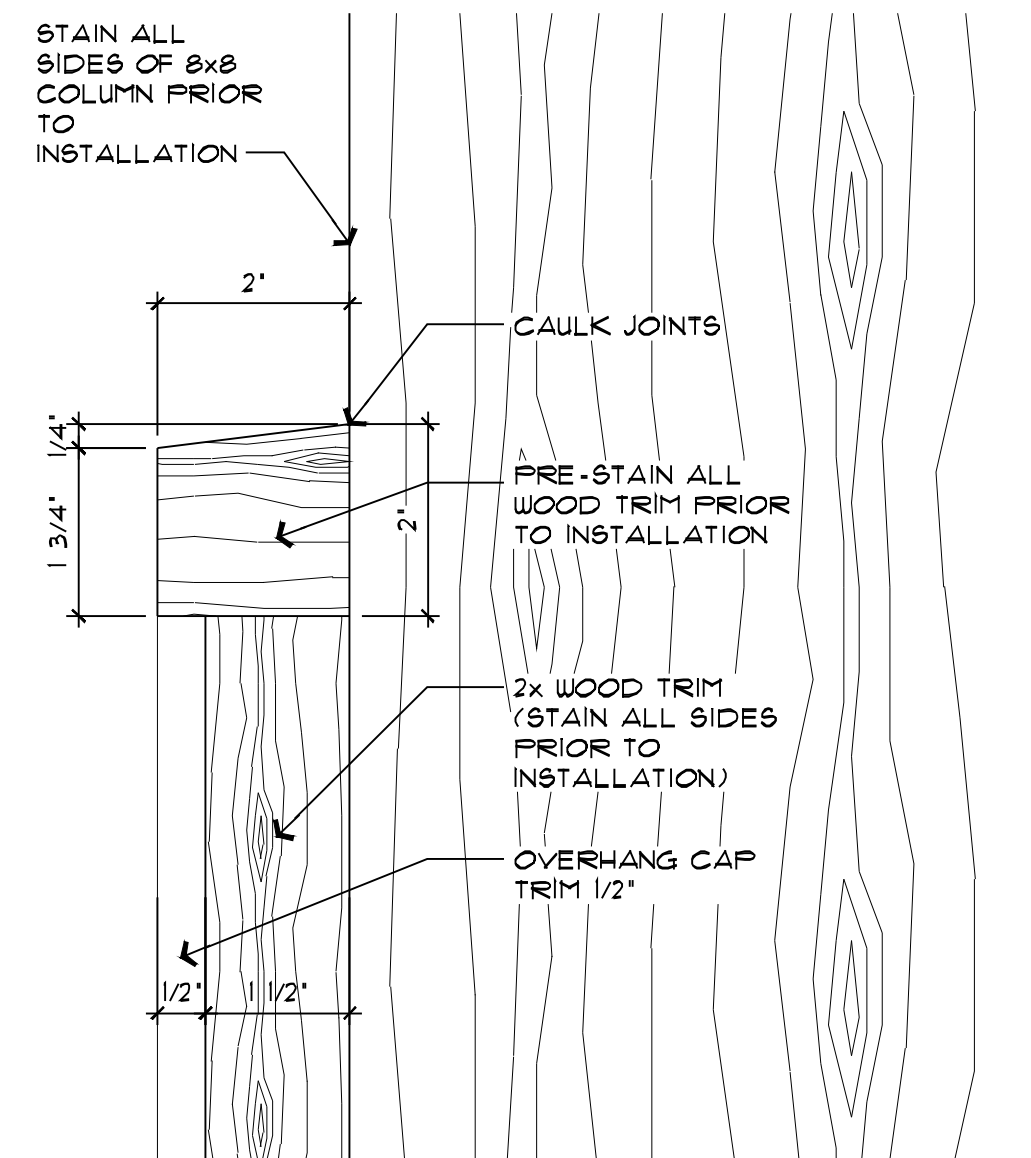
COLUMN PAD DETAIL

SCALE: 1 1/2" = 1'-0"



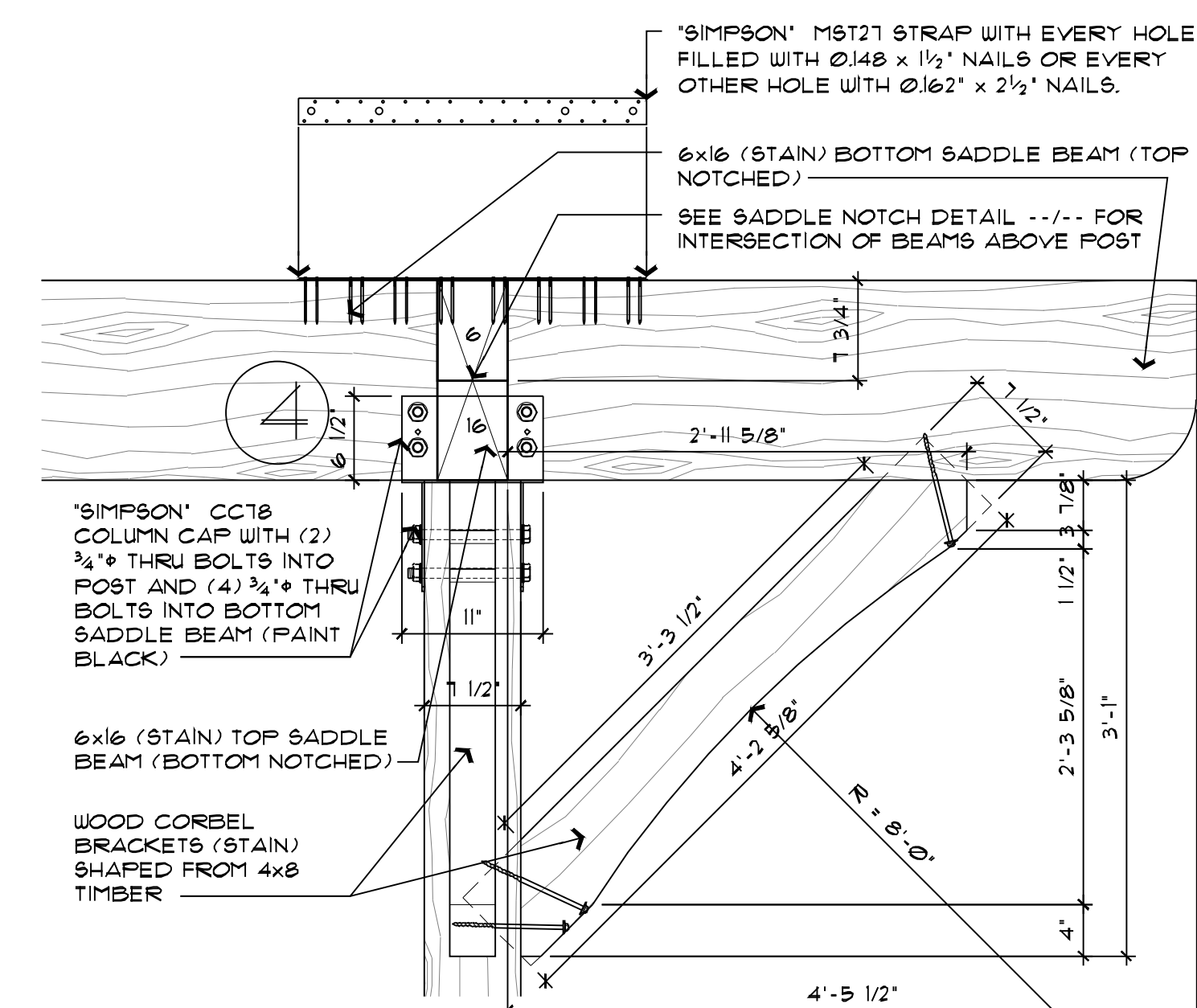
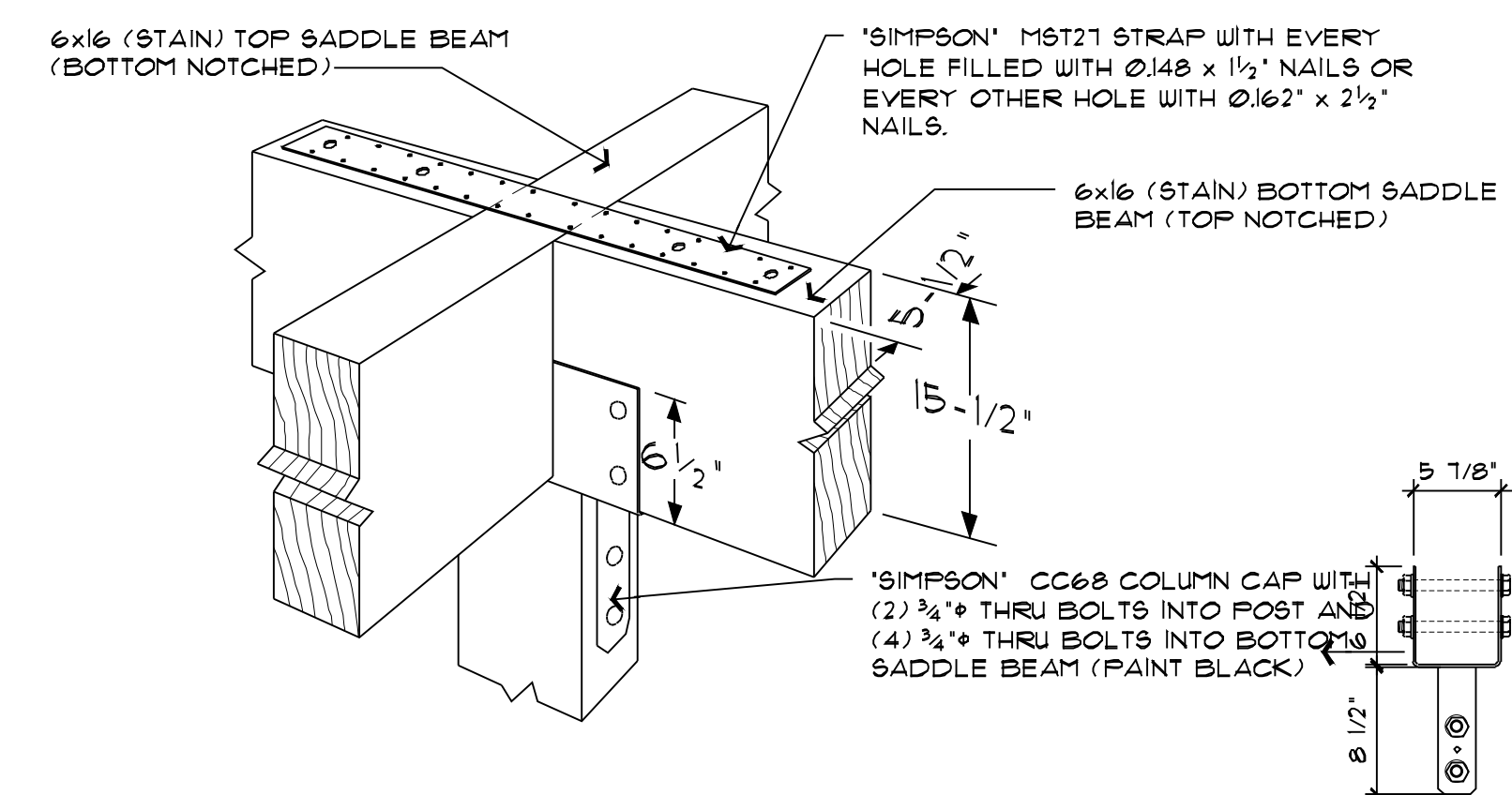
POST DETAIL

SCALE: 3" = 1'-0"



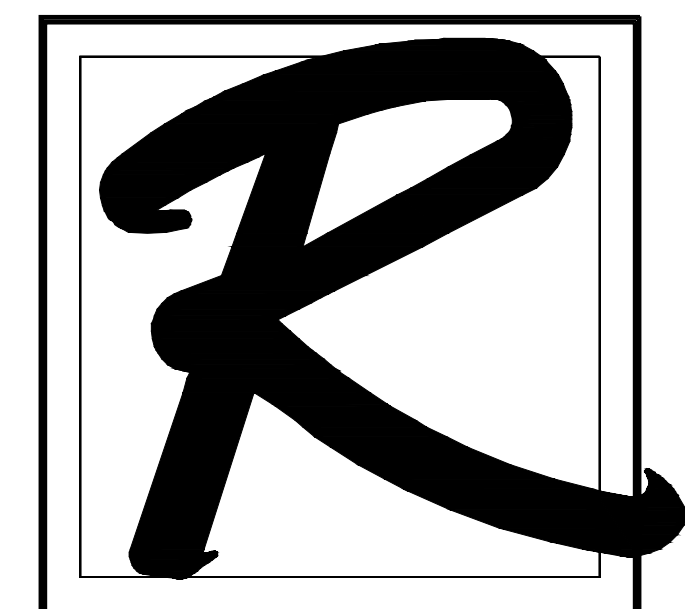
COLUMN TRIM CAP

SCALE: 6" = 1'-0"



BEAM TO POST CONNECTION DETAIL

SCALE: 1" = 1'-0"



RUNGE ARCHITECTURE

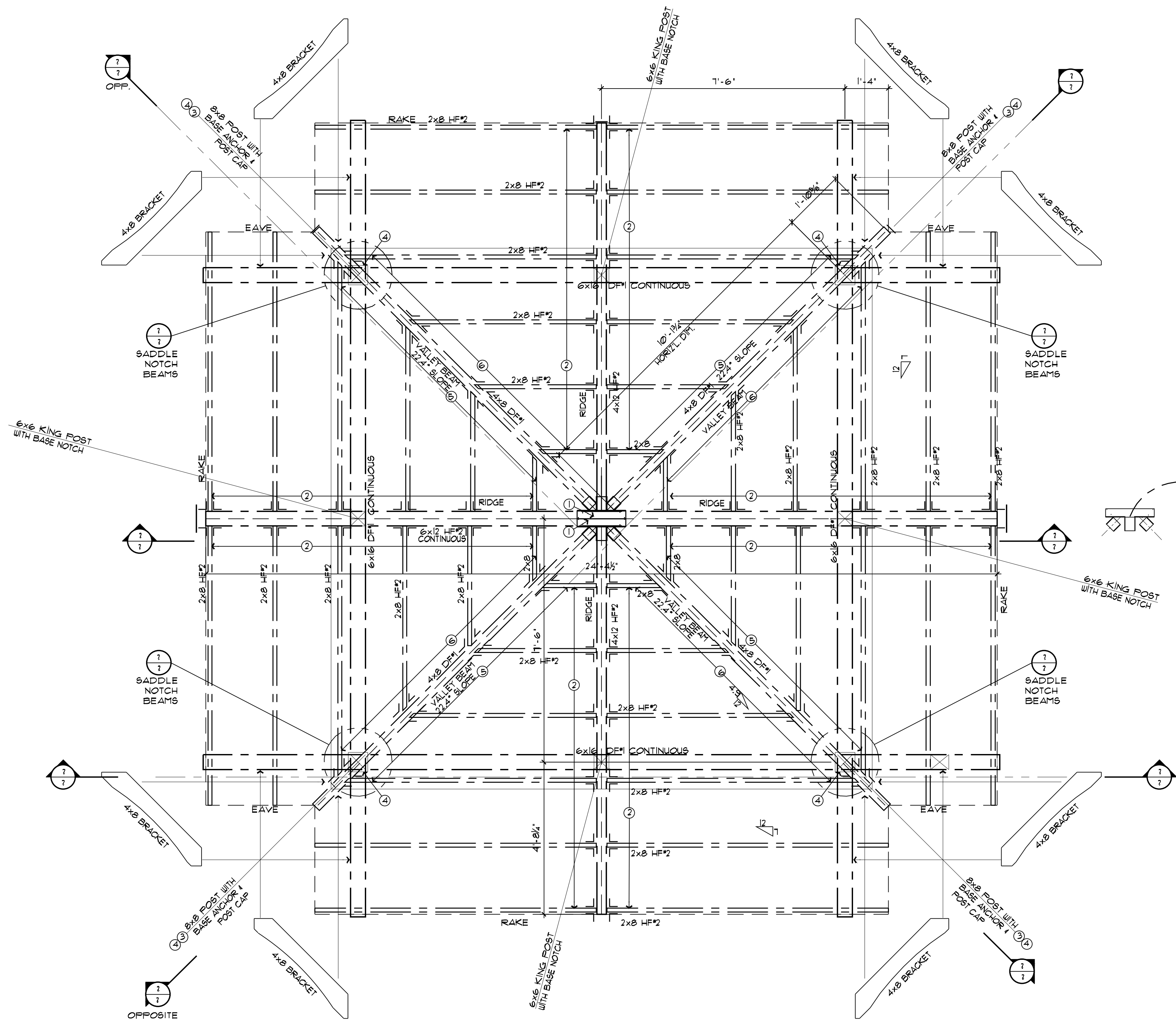
CHARLES W. RUNGE, JR., ARCHITECT
5315 GERMAINE CT.
COLORADO SPRINGS, CO 80919
PHONE: (719) 260-0039
EMAIL: chuckrunge@comcast.net

CEMETERY FOR

ST. JOHN
THE BAPTIST
ORTHODOX CHURCH
7530 MOHAWK RD.
COLORADO SPRINGS, CO

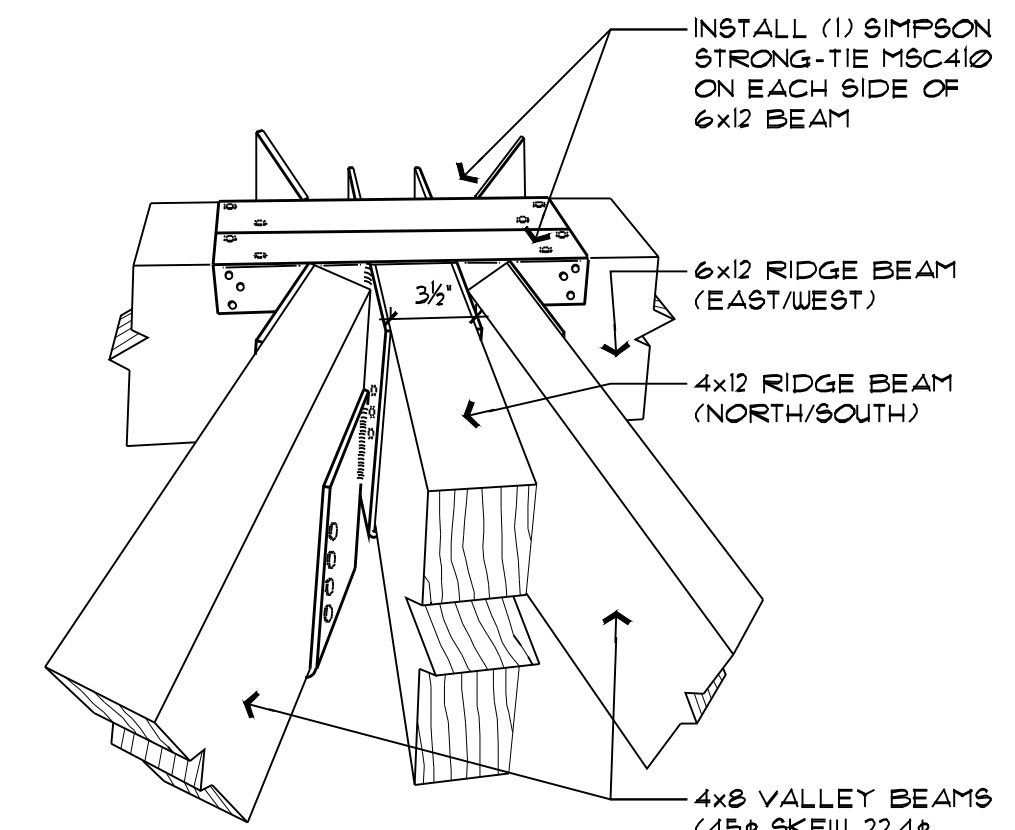
REVISIONS:

JOB NUMBER: 2606
DATE: 4/12/26
REVISED:
SHEET NUMBER: 6 of 7
PAGE: MP2



FRAMING PLAN

SCALE: 1/2" = 1'-0"

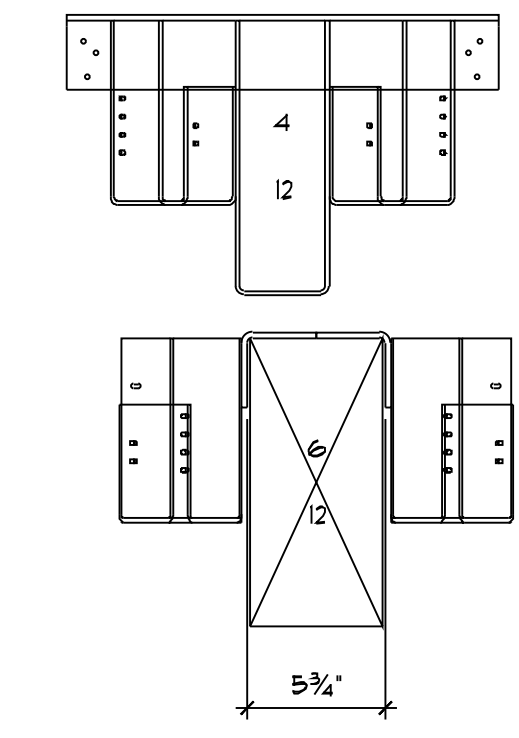


1 HANGER DETAIL

SCALE: NTS
CONTRACTOR'S OPTION TO FABRICATE STEEL HANGER CONNECTION.

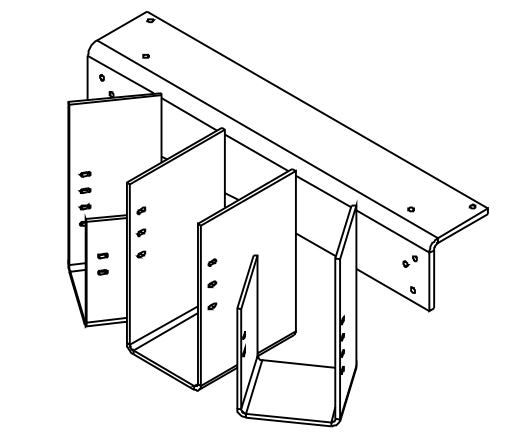
HARDWARE SCHEDULE:

NO.	HARDWARE
1	'SIMPSON' MSC4 MULTI-MEMBER HANGER, SKEW = 45°, SLOPE = 22°
2	'SIMPSON' HU28TF HANGER SLOPE = 30°
3	'SIMPSON' MPB8BZ CAST INTO CONC. PIER - SEE DETAIL
4	'SIMPSON' CCB8 W/2 3/4" THRU BOLTS INTO POST + (4) 3/4" BOLTS INTO BEAM
5	'SIMPSON' HU28X9KR45SLU30 HANGER, SKEW = 45°R, SLOPE = 22°U
6	'SIMPSON' HU28X9KL45BLU30 HANGER, SKEW = 45°L, SLOPE = 22°U



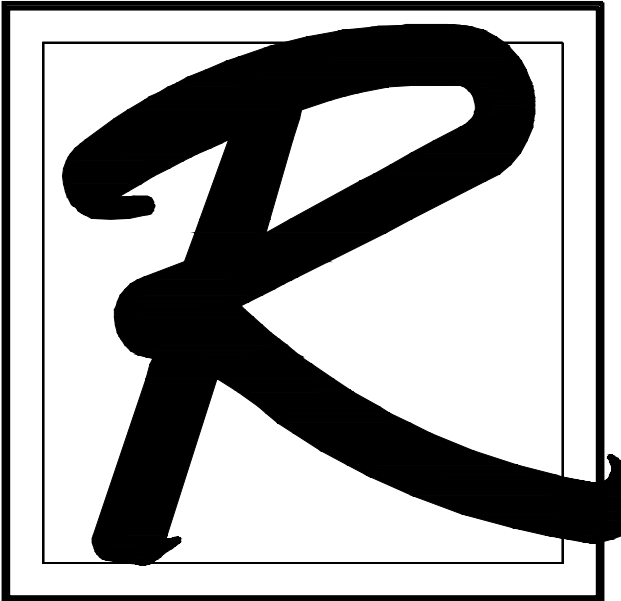
2 HANGER DETAIL

SCALE: NTS



3 ISOMETRIC VIEW OF HANGER

SCALE: NTS



RUNGE ARCHITECTURE

CHARLES W. RUNGE, JR., ARCHITECT
5315 GERMAINE CT.
COLORADO SPRINGS, CO 80919
PHONE: (719) 260-0039
EMAIL: chuckrunge@comcast.net

CEMETERY FOR

ST. JOHN
THE BAPTIST
ORTHODOX CHURCH
7530 MOHAWK RD.
COLORADO SPRINGS, CO

REVISIONS:

--	--

JOB NUMBER:	2606
DATE:	4/12/26
REVISED:	
SHEET NUMBER:	7 of 7
PAGE:	MP3