

RUNGE ARCHITECTURE

CHARLES W. RUNGE, JR., ARCHITECT
5315 GERMAINE CT.
COLORADO SPRINGS, CO 80919
PHONE: (719) 260-0039
EMAIL: chuckrunge@comcast.net

CEMETERY FOR

ST. JOHN
THE BAPTIST
ORTHODOX CHURCH
7530 MOHAWK RD.
COLORADO SPRINGS, CO

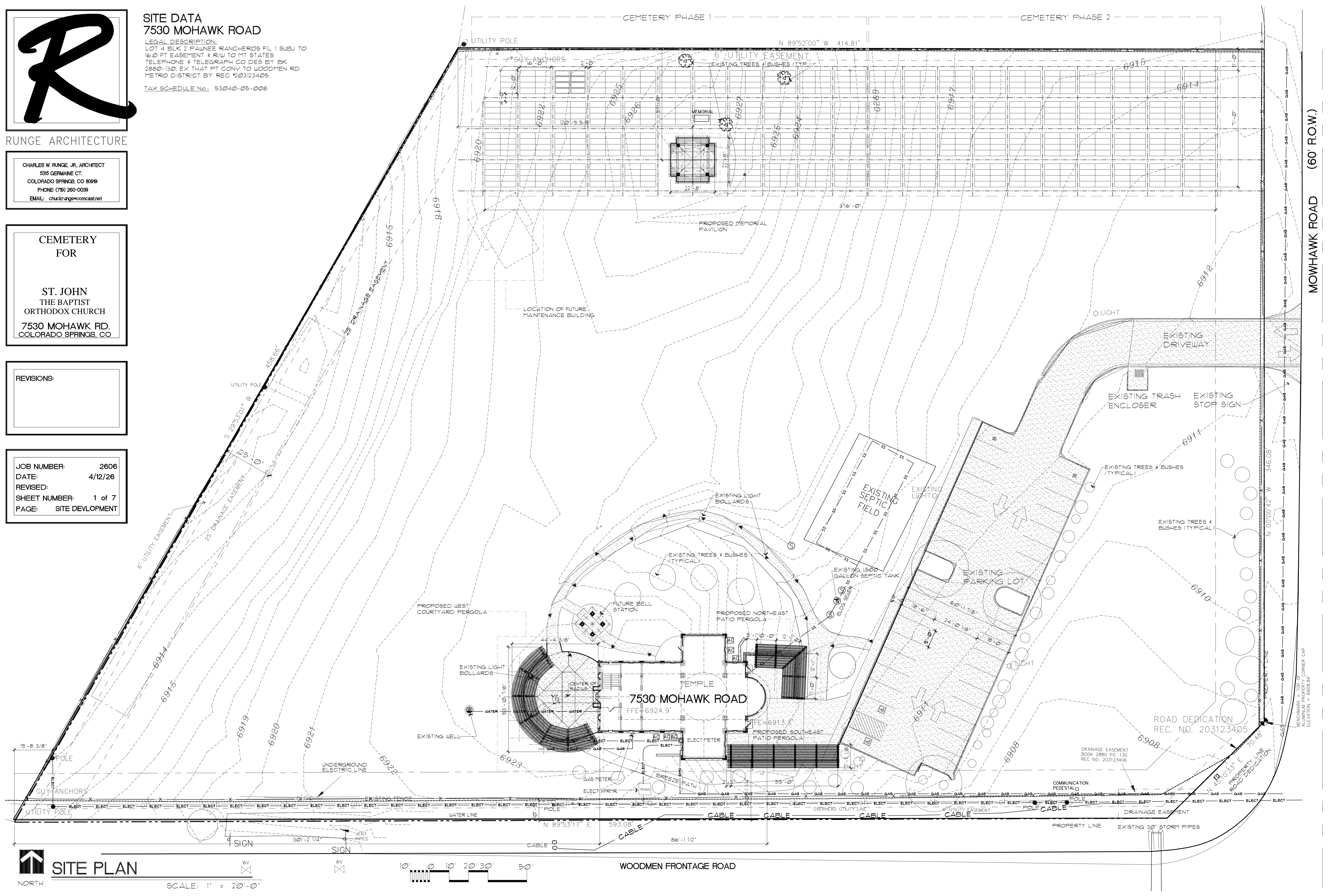
REVISIONS:

JOB NUMBER: 2606
DATE: 4/12/26
REVISED:
SHEET NUMBER: 1 of 7
PAGE: SITE DEVELOPMENT

SITE DATA 7530 MOHAWK ROAD

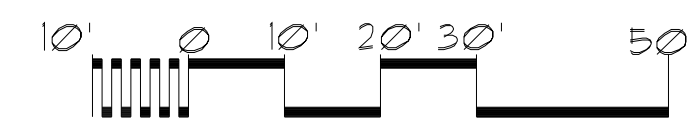
LEGAL DESCRIPTION:
LOT 4 BLK 2 PAWNEE RANCHEROS FIL 1 SUBJ TO
16.0 FT EASEMENT 4 R/W TO MT STATES
TELEPHONE 4 TELEGRAPH CO DES BY BK
2880-130 EX THAT FT CONV TO WOODMEN RD
METRO DISTRICT BY REC #203123405

TAX SCHEDULE No.: 53040-05-008



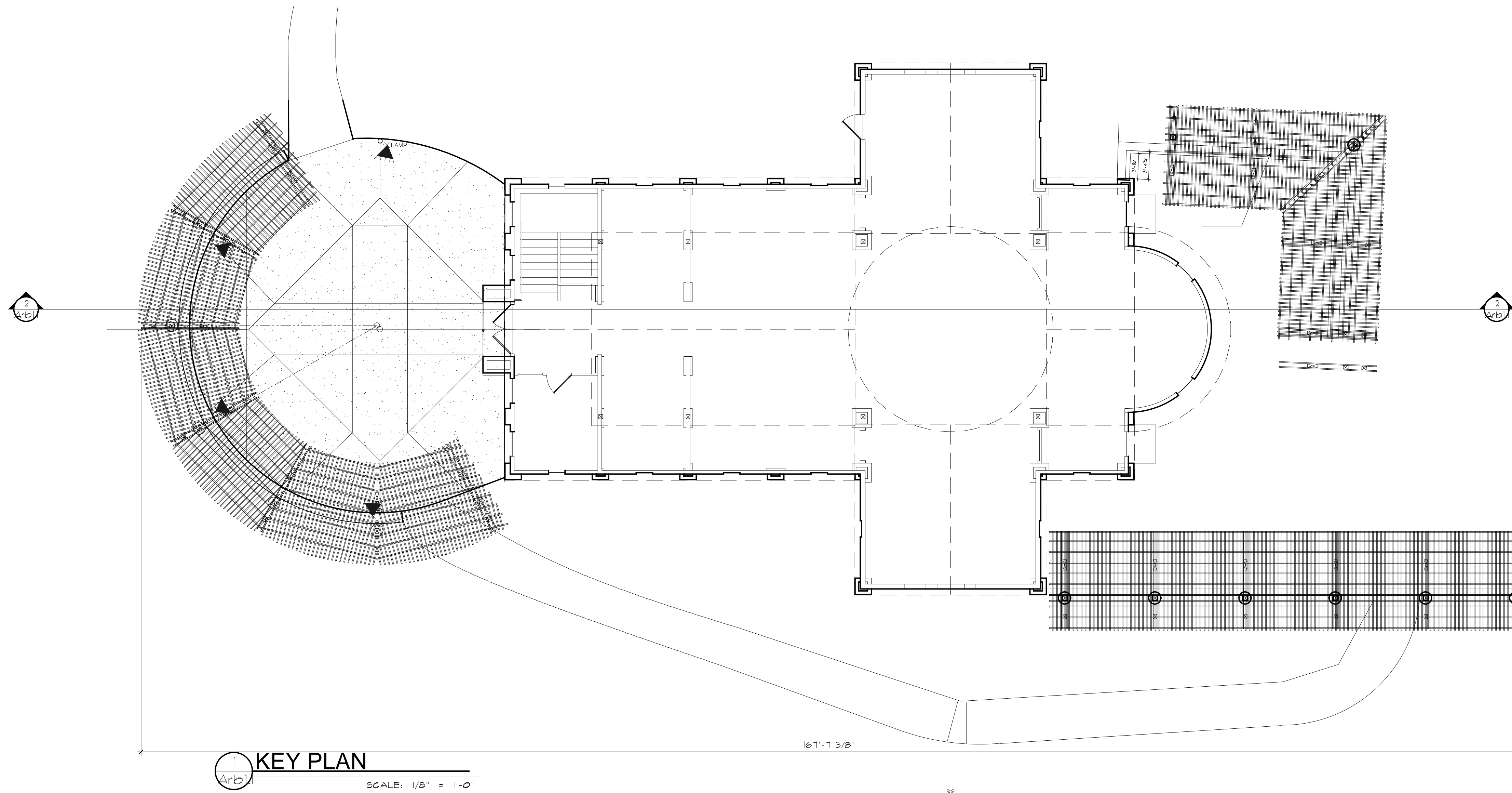
NORTH
SITE PLAN

SCALE: 1" = 20'-0"

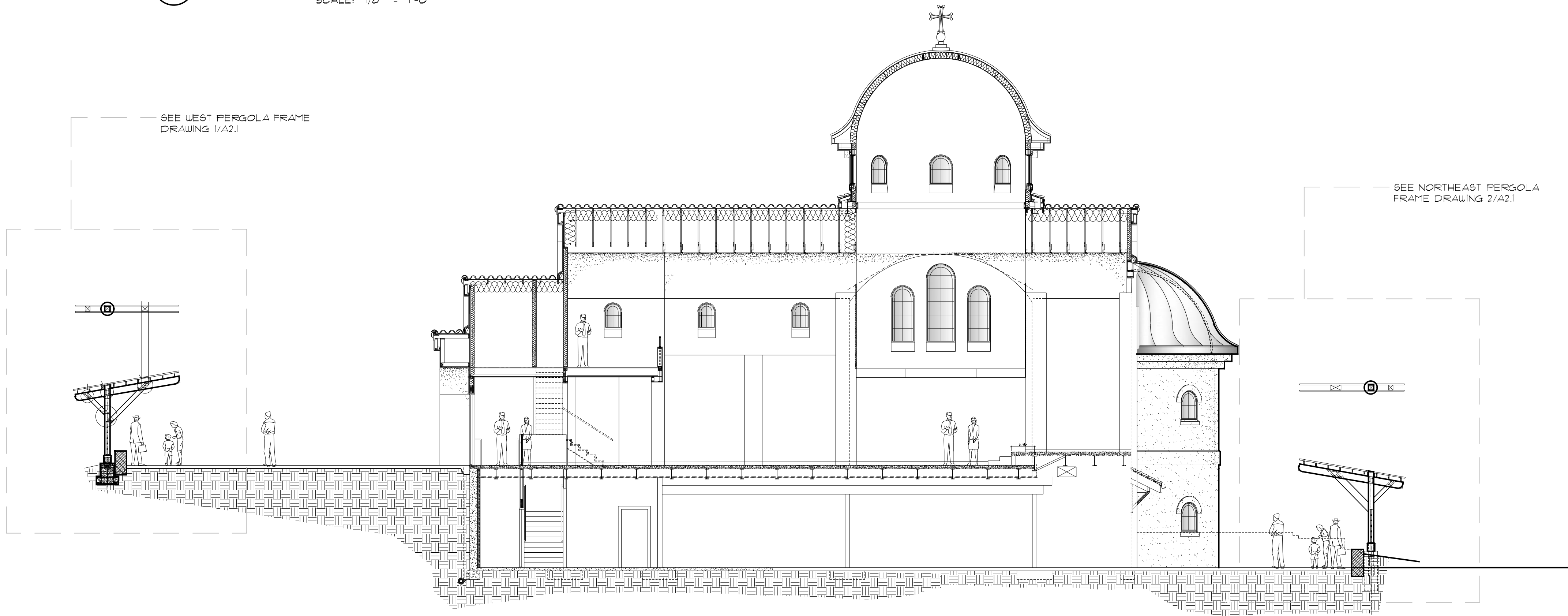


WOODMEN FRONTAGE ROAD

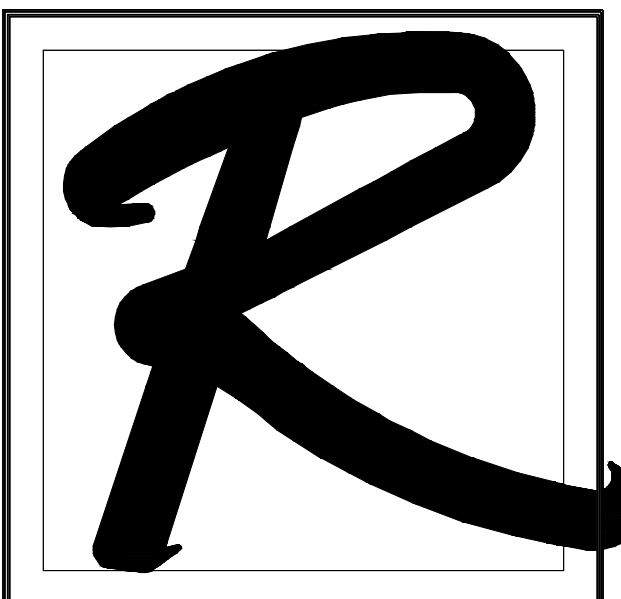
MOWHAWK ROAD (60' R.O.W.)



1 KEY PLAN
Arb1
SCALE: 1/8" = 1'-0"



2 SITE SECTION
Arb1
SCALE: 1/8" = 1'-0"



RUNGE ARCHITECTURE

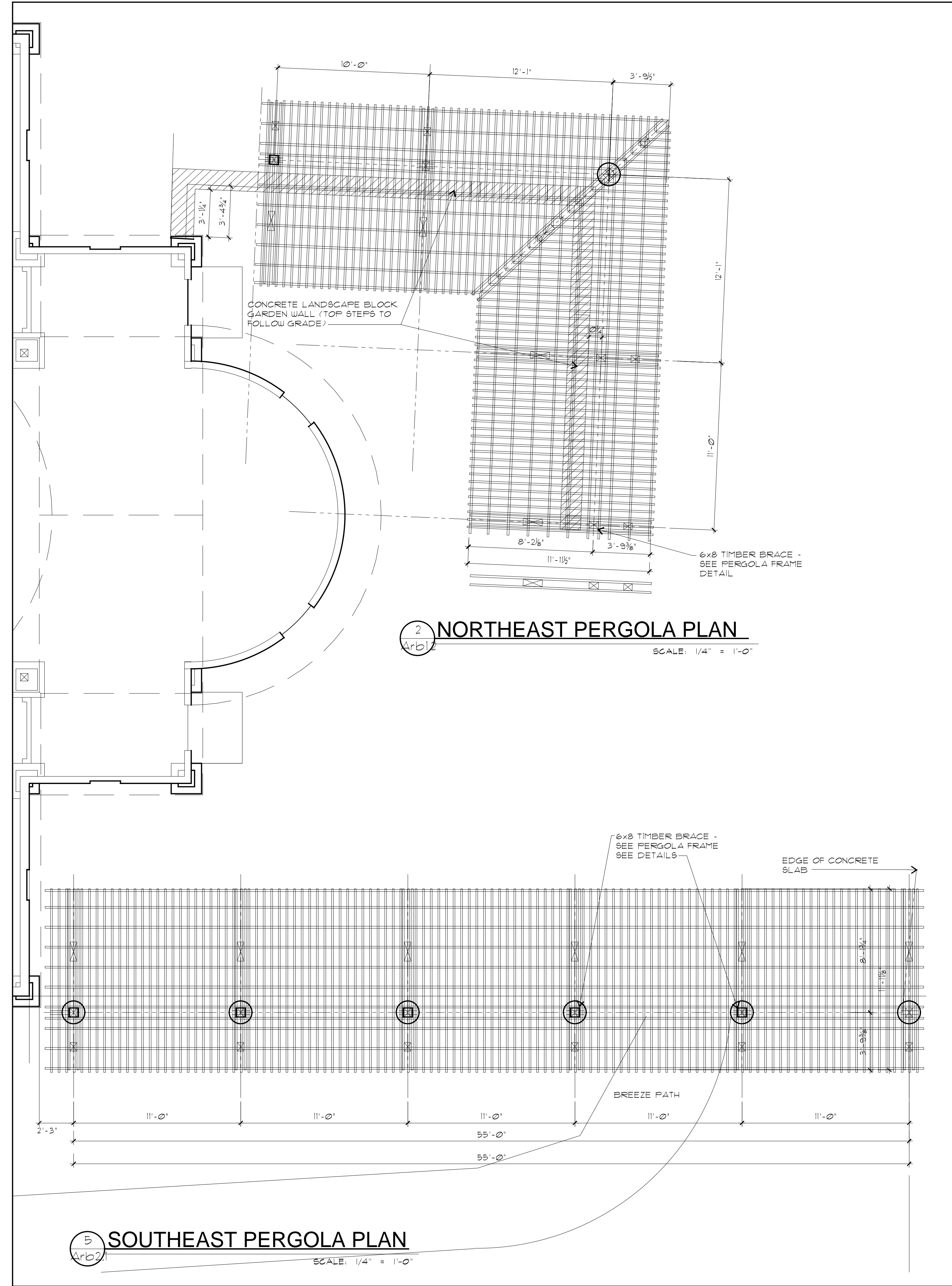
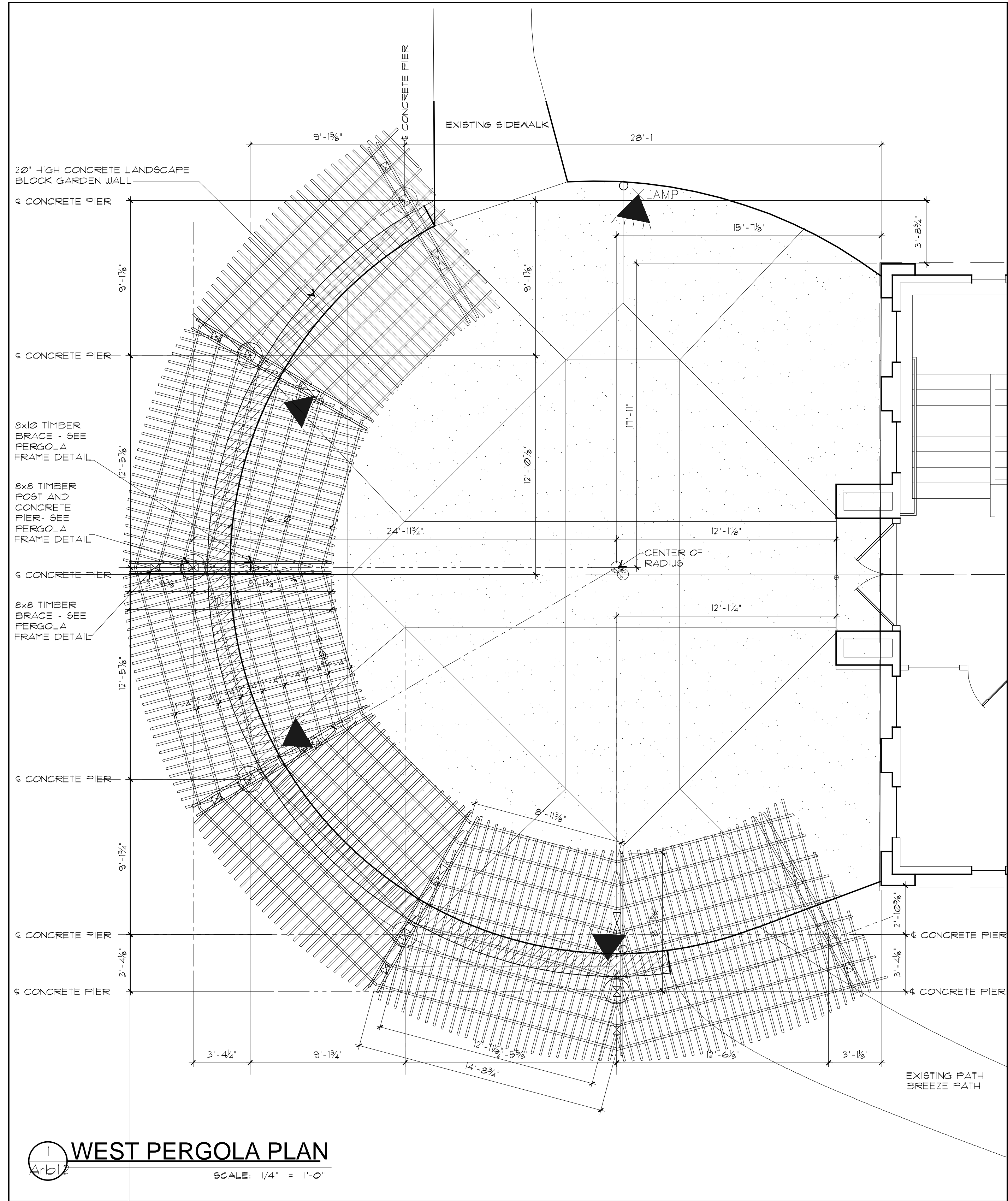
CHARLES W. RUNGE, JR., ARCHITECT
5315 GERMAINE CT.
COLORADO SPRINGS, CO 80919
PHONE: (719) 260-0039
EMAIL: chuckrunge@comcast.net

CEMETERY
FOR

ST. JOHN
THE BAPTIST
ORTHODOX CHURCH
7530 MOHAWK RD.
COLORADO SPRINGS, CO

REVISIONS:

JOB NUMBER: 2606
DATE: 4/12/26
REVISED:
SHEET NUMBER: 2 of 7
PAGE: Arb11



RUNGE ARCHITECTURE

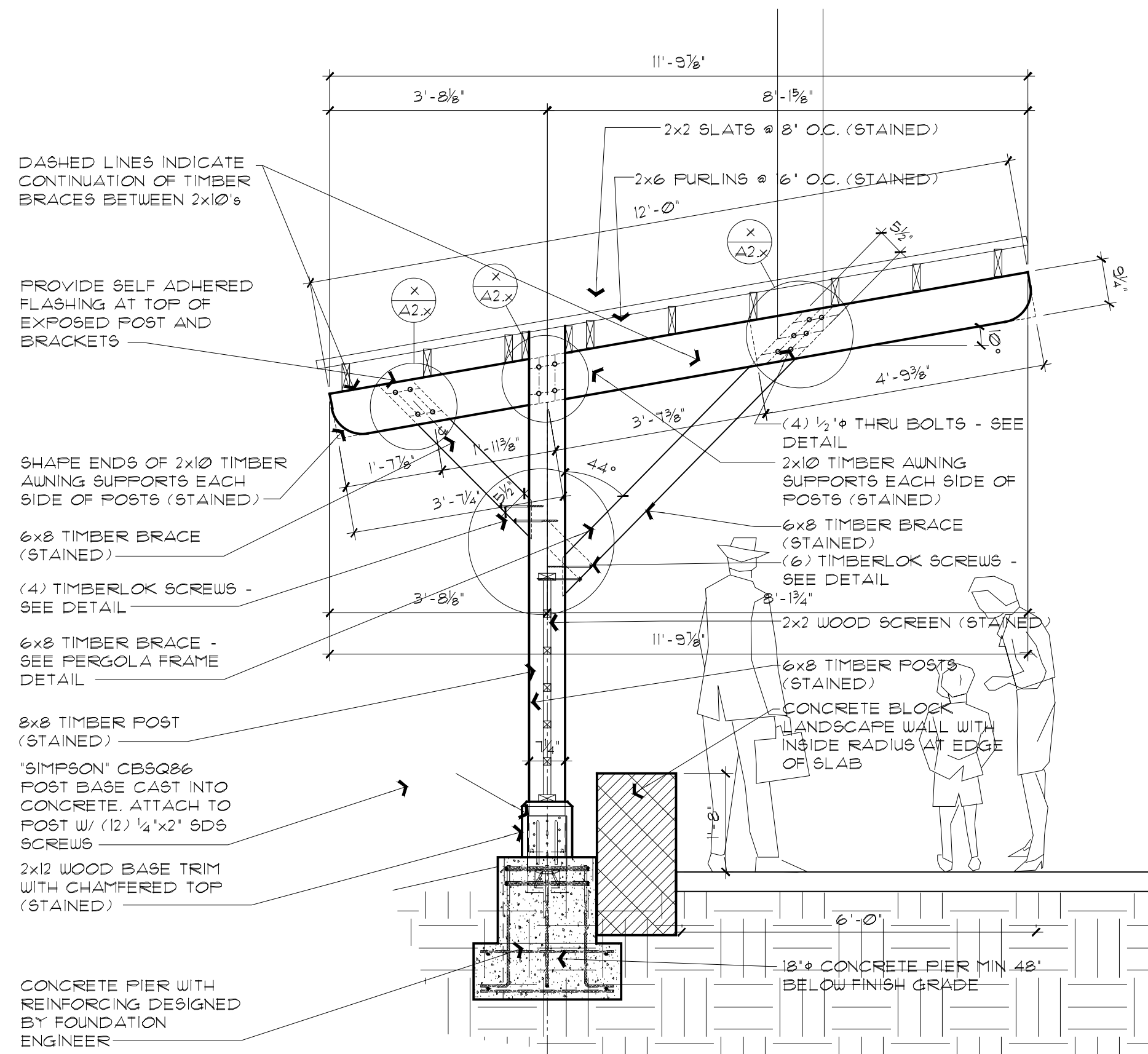
CHARLES W. RUNGE, JR., ARCHITECT
5315 GERMAINE CT.
COLORADO SPRINGS, CO 80919
PHONE: (719) 260-0039
EMAIL: chuckrunge@comcast.net

CEMETERY FOR
ST. JOHN THE BAPTIST
ORTHODOX CHURCH
7530 MOHAWK RD.
COLORADO SPRINGS, CO

REVISIONS:

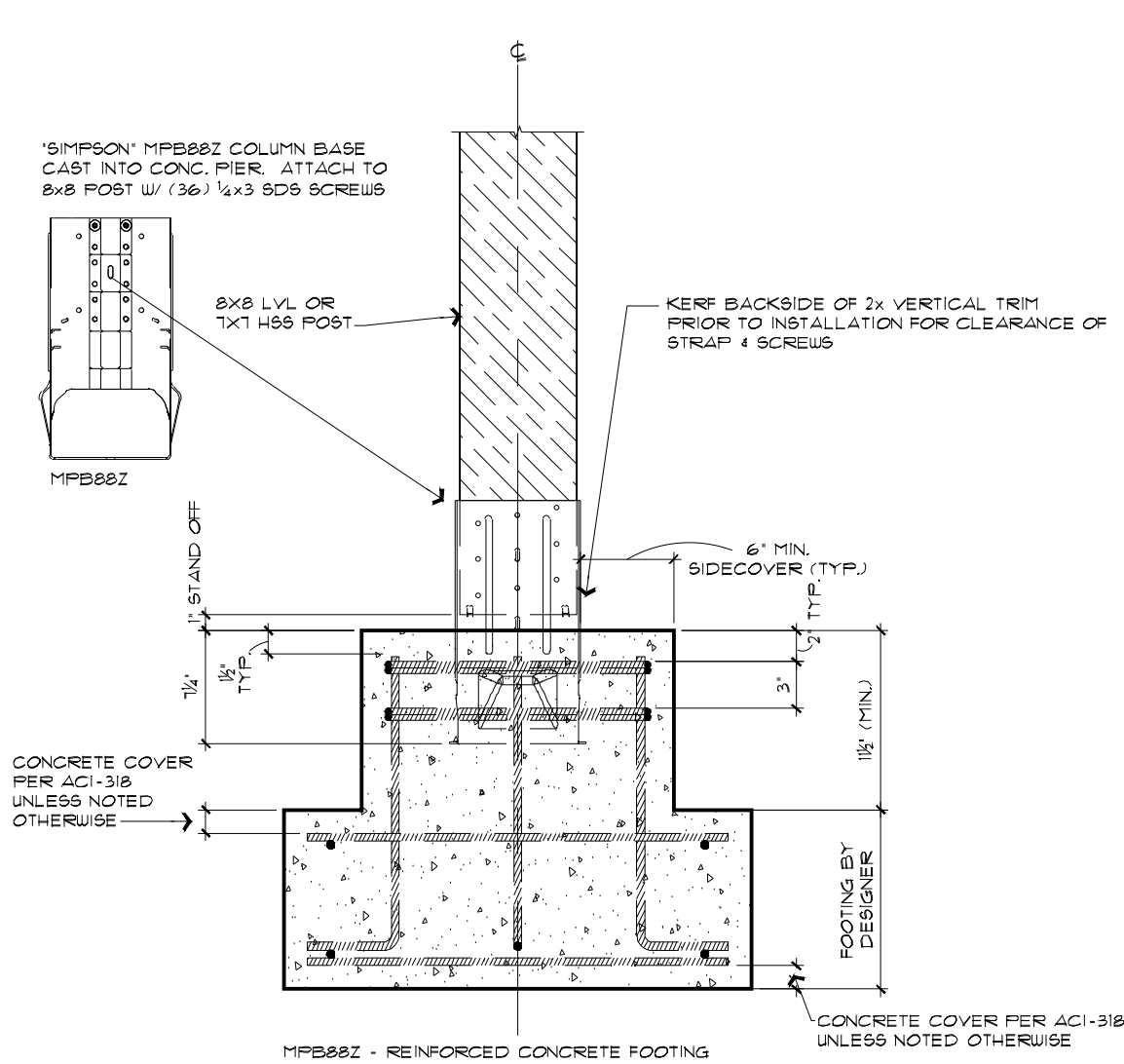
--	--

JOB NUMBER: 2606
DATE: 4/12/26
REVISED:
SHEET NUMBER: 3 of 7
PAGE: Arb12



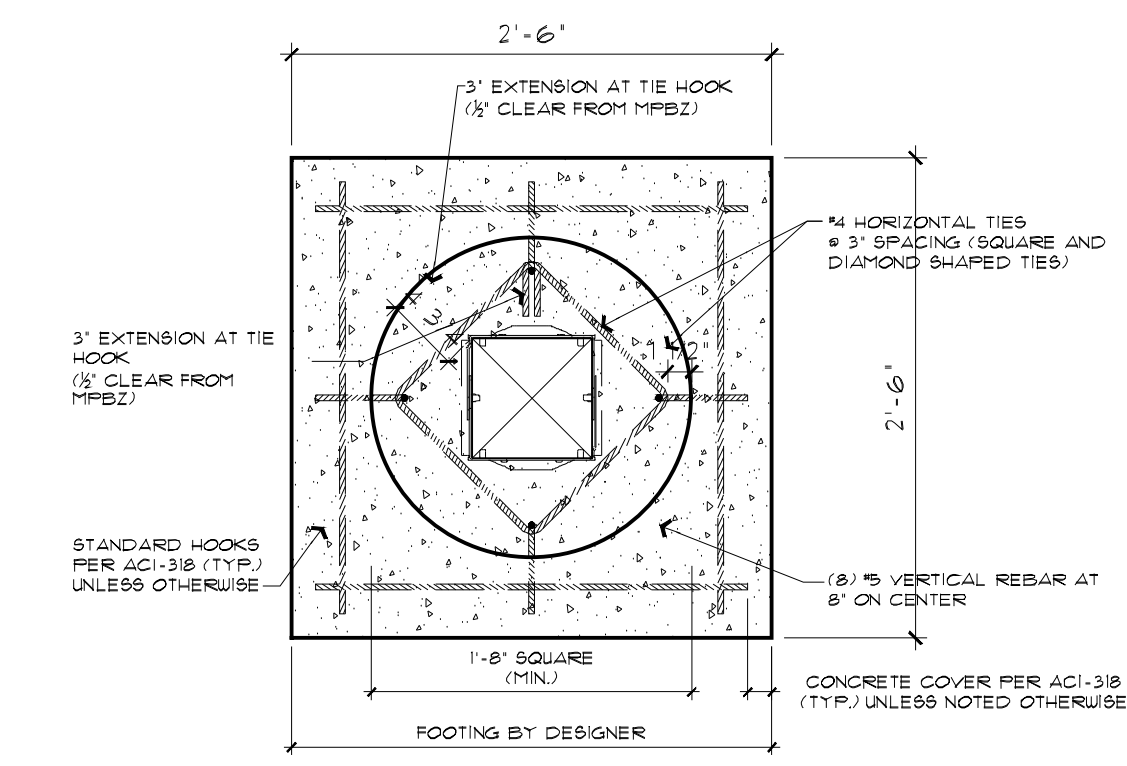
SECTION OF WEST PERGOLA FRAME

SCALE: 1/2" = 1'-0"



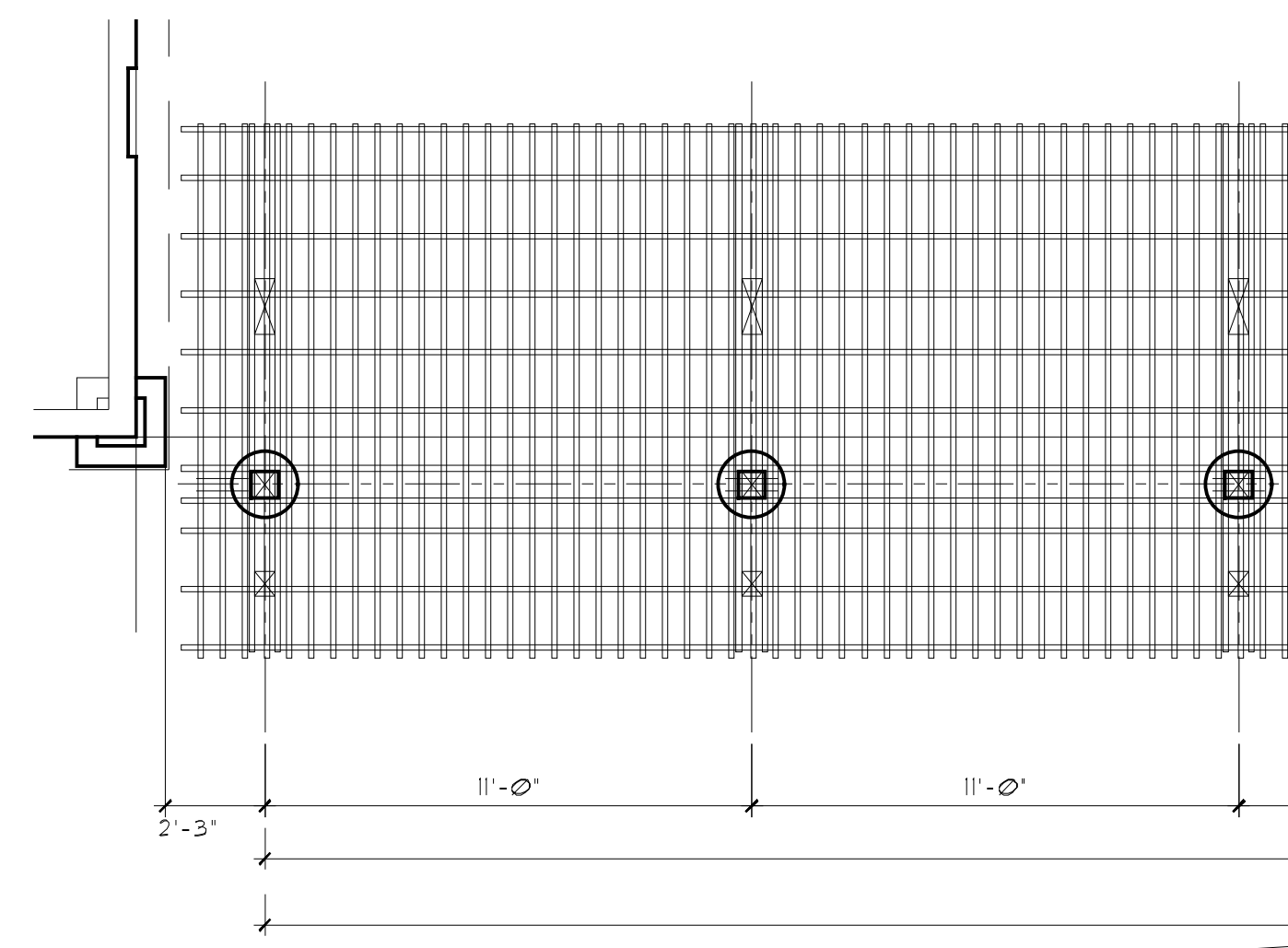
COLUMN PAD SECTION

SCALE: 1/2" = 1'-0"



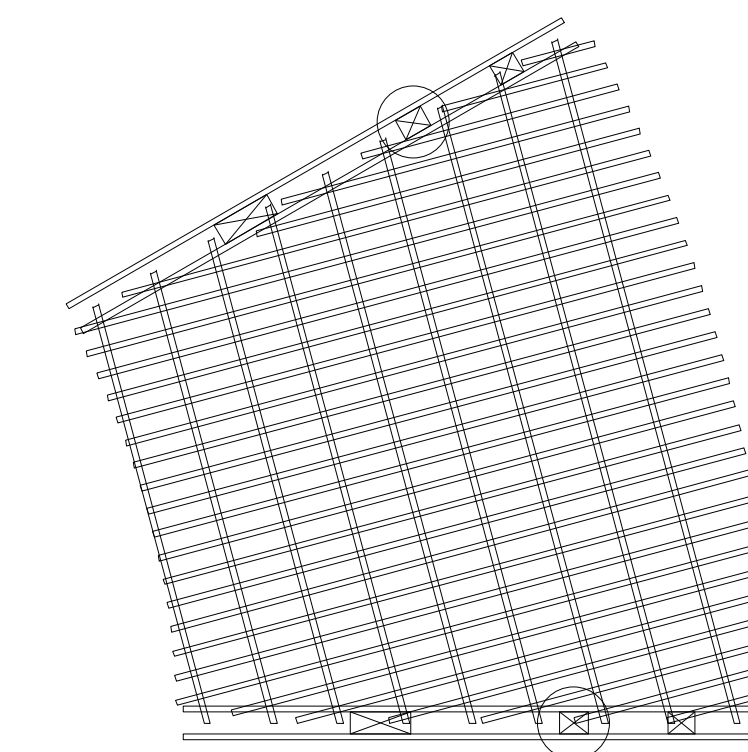
COLUMN PAD PLAN SECTION

SCALE: 1/2" = 1'-0"



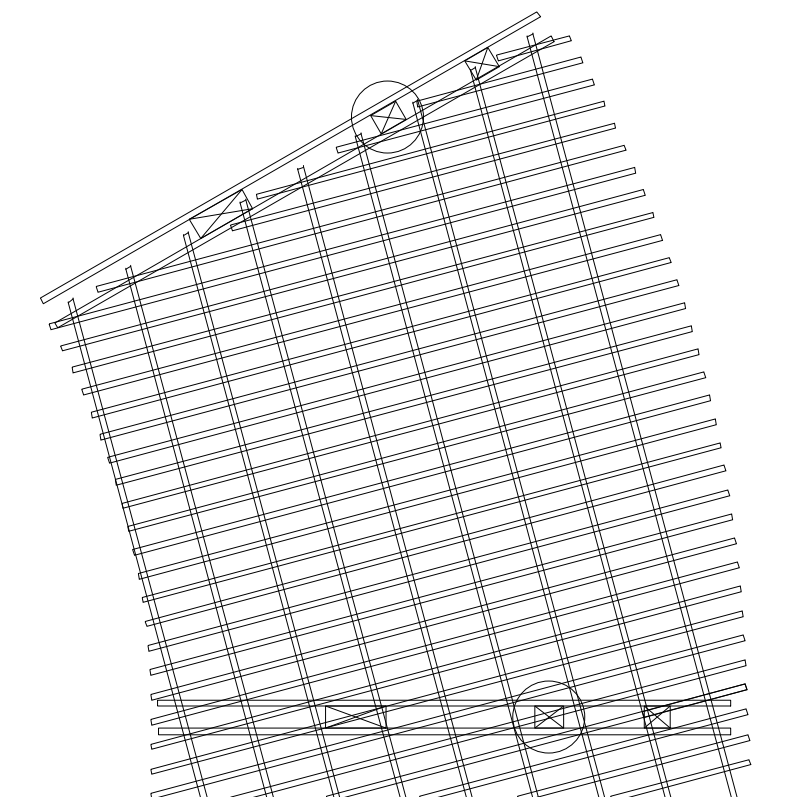
SOUTHEAST PERGOLA PLAN

SCALE: 1/4" = 1'-0"



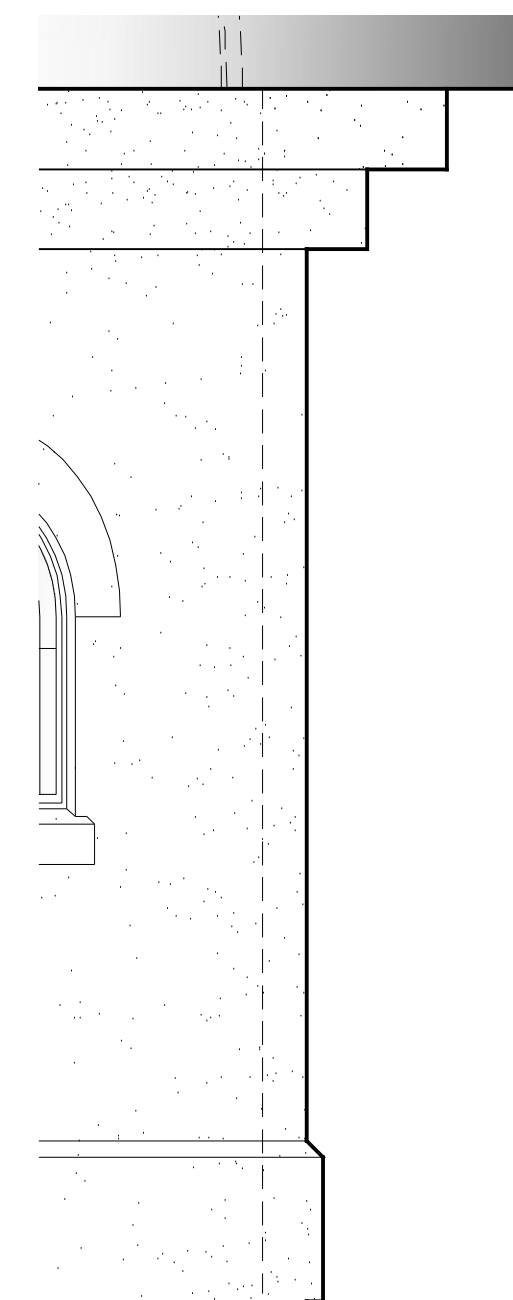
TYPICAL WEST PERGOLA PLAN

SCALE: 1/4" = 1'-0"



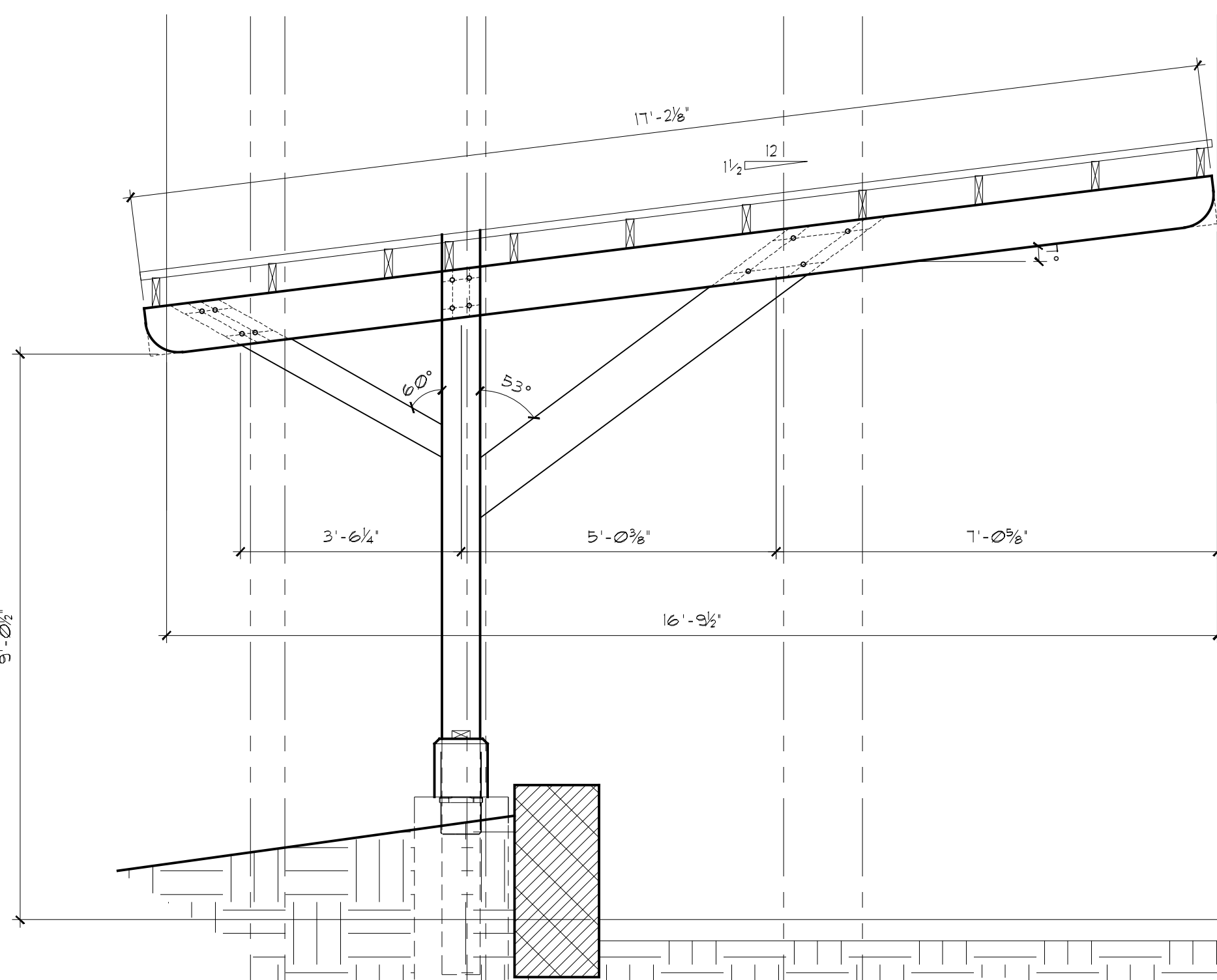
TYPICAL WEST PERGOLA END PLAN

SCALE: 1/4" = 1'-0"



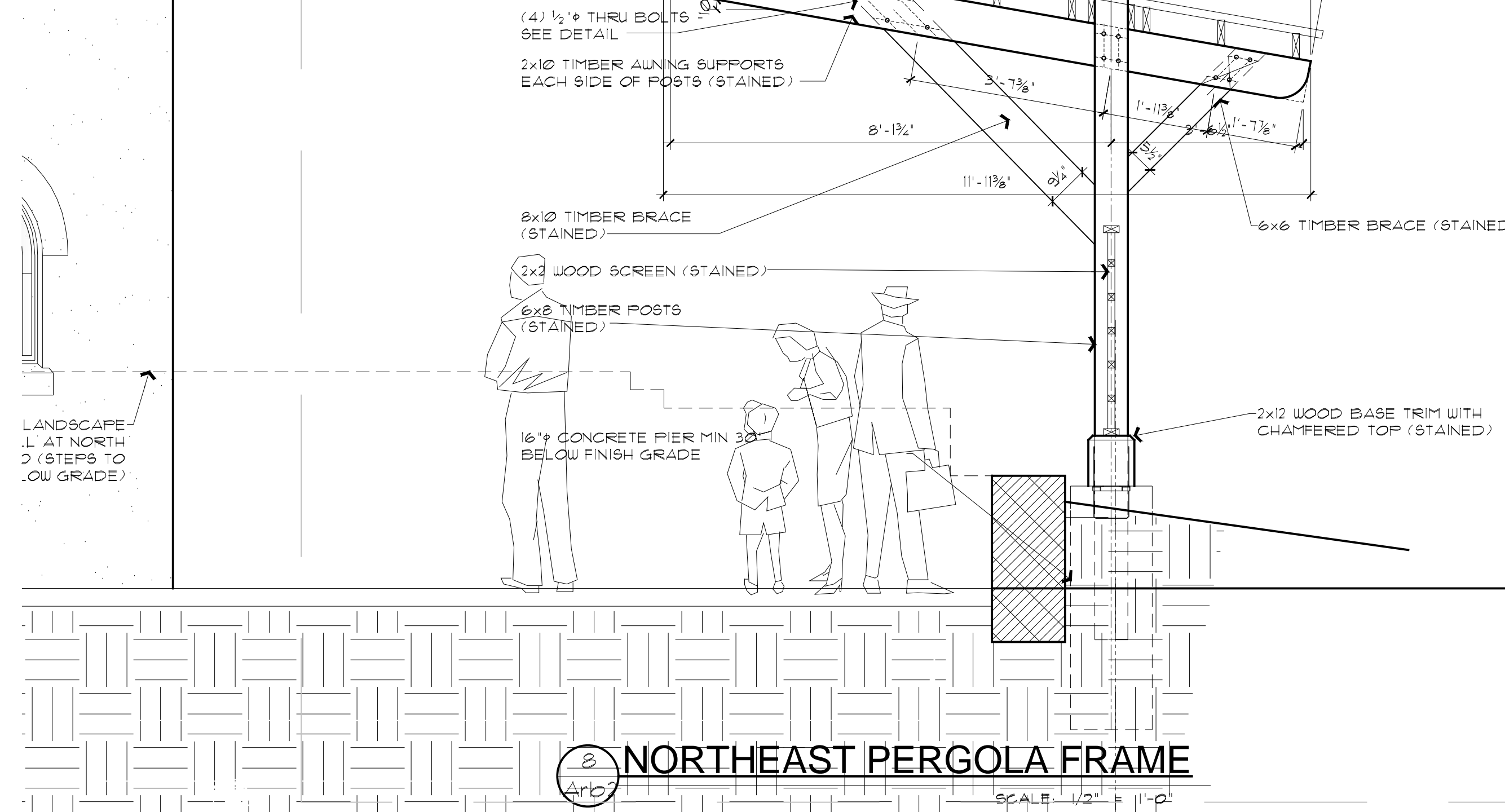
PLAN DETAIL OF EAST PERGOLA FRAME

SCALE: 1/2" = 1'-0"



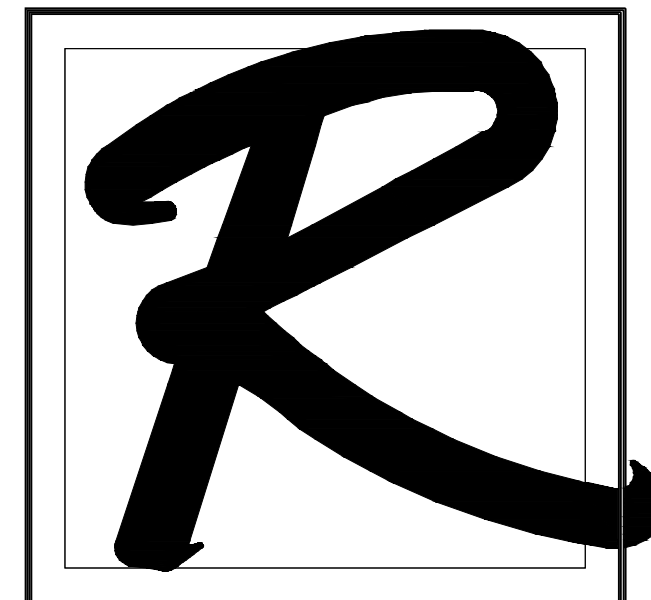
WEST PERGOLA HIP FRAME

SCALE: 1/2" = 1'-0"



NORTHEAST PERGOLA FRAME

SCALE: 1/2" = 1'-0"



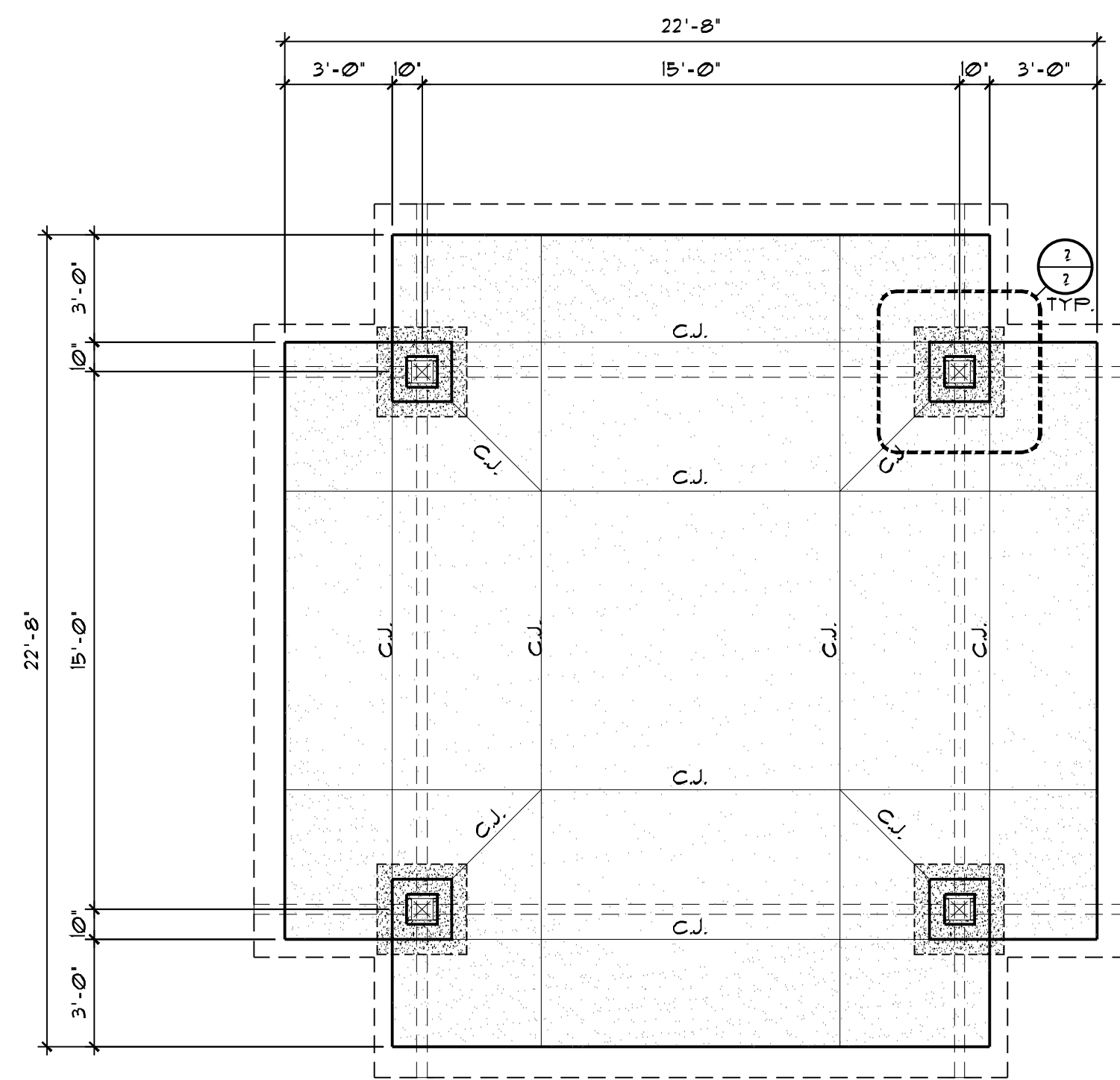
RUNGE ARCHITECTURE

CHARLES W. RUNGE, JR., ARCHITECT
5315 GERMAINE CT.
COLORADO SPRINGS, CO 80919
PHONE: (719) 260-0039
EMAIL: chuckrunge@comcast.net

CEMETERY FOR ST. JOHN THE BAPTIST ORTHODOX CHURCH
7530 MOHAWK RD. COLORADO SPRINGS, CO

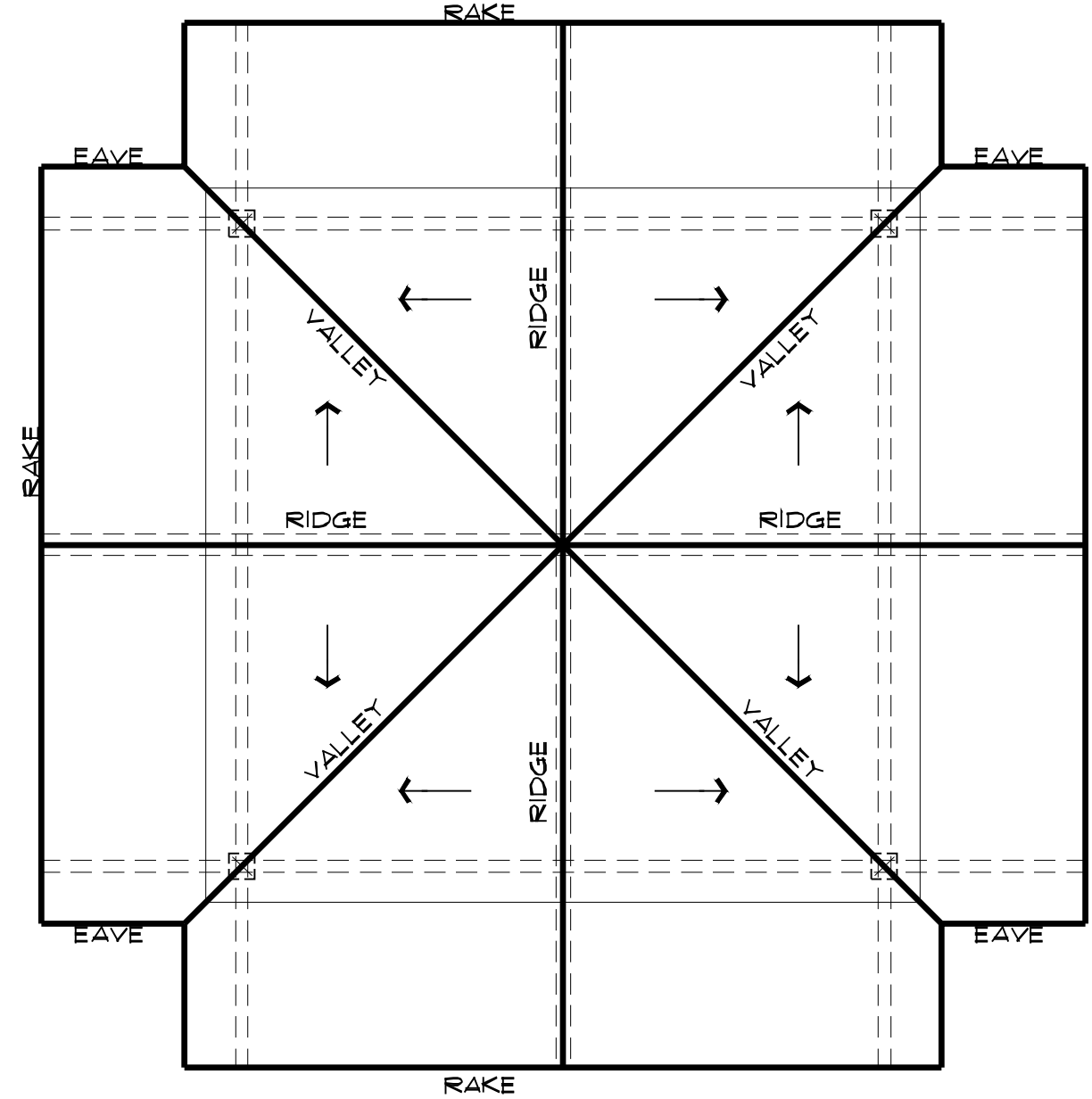
REVISIONS:

JOB NUMBER: 2606
DATE: 4/12/26
REVISED:
SHEET NUMBER: 4 of 7
PAGE: A21



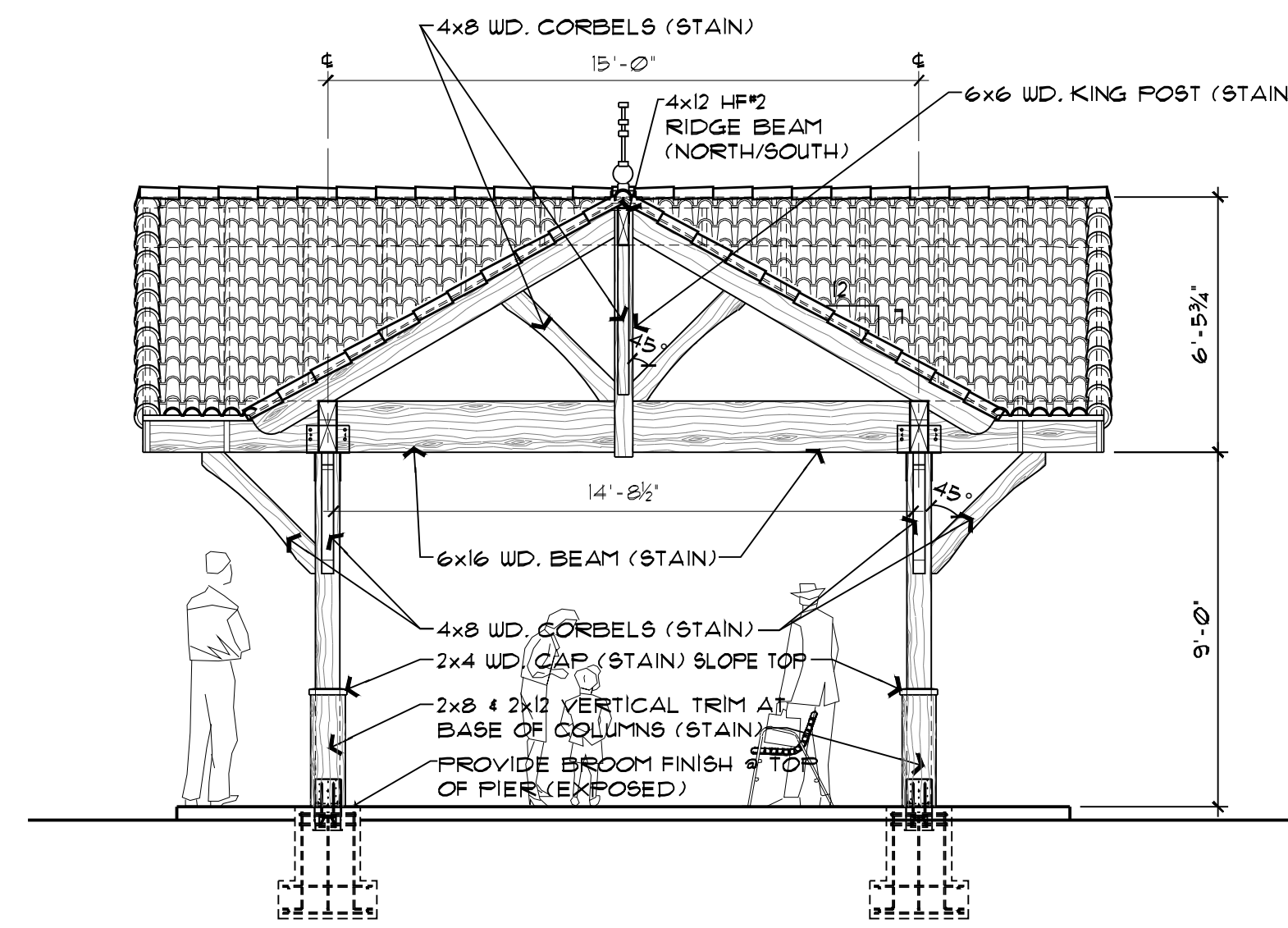
PLAN OF MEMORIAL PAVILION

SCALE: 1/4" = 1'-0"



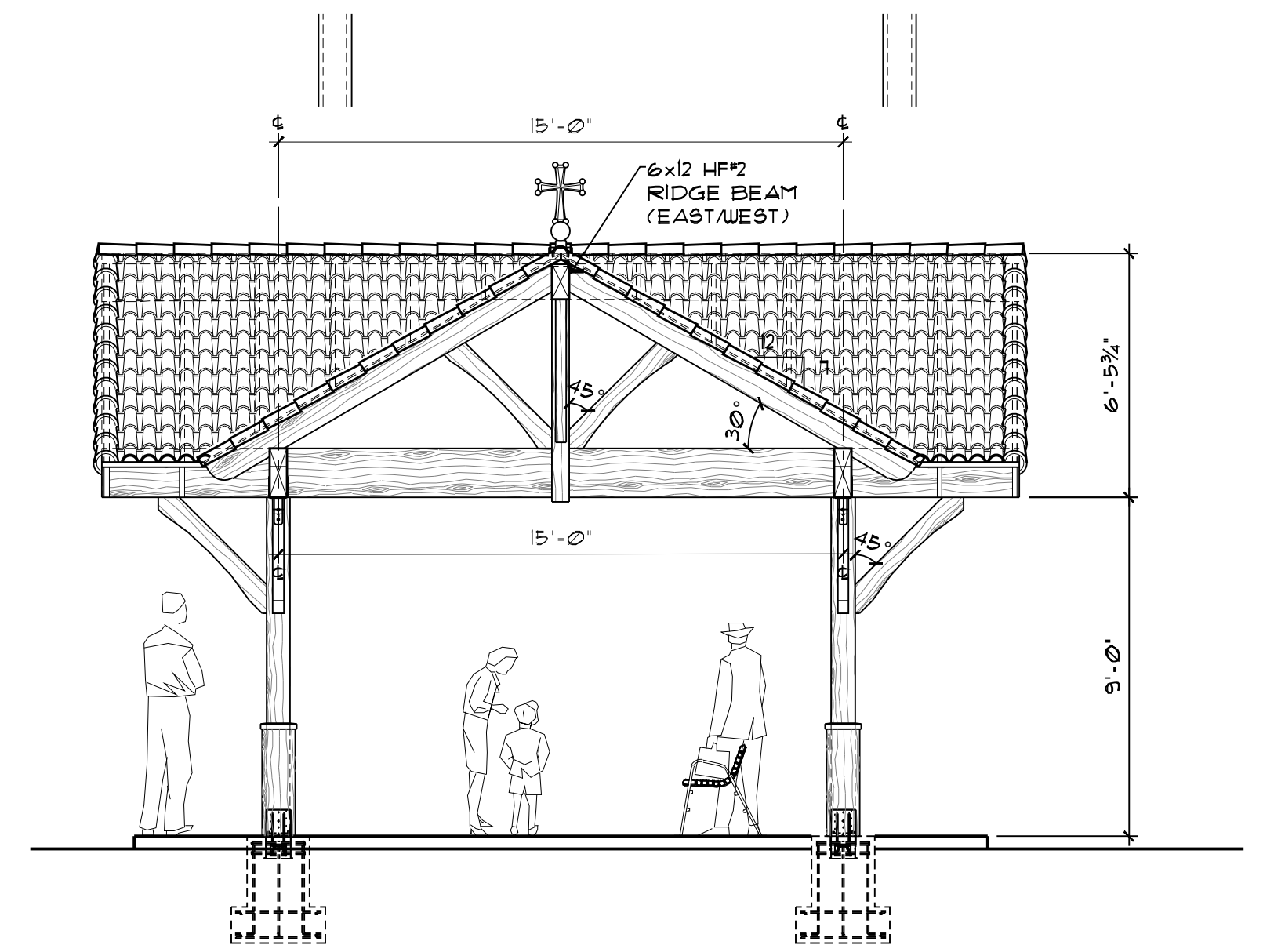
ROOF PLAN

SCALE: 1/4" = 1'-0"



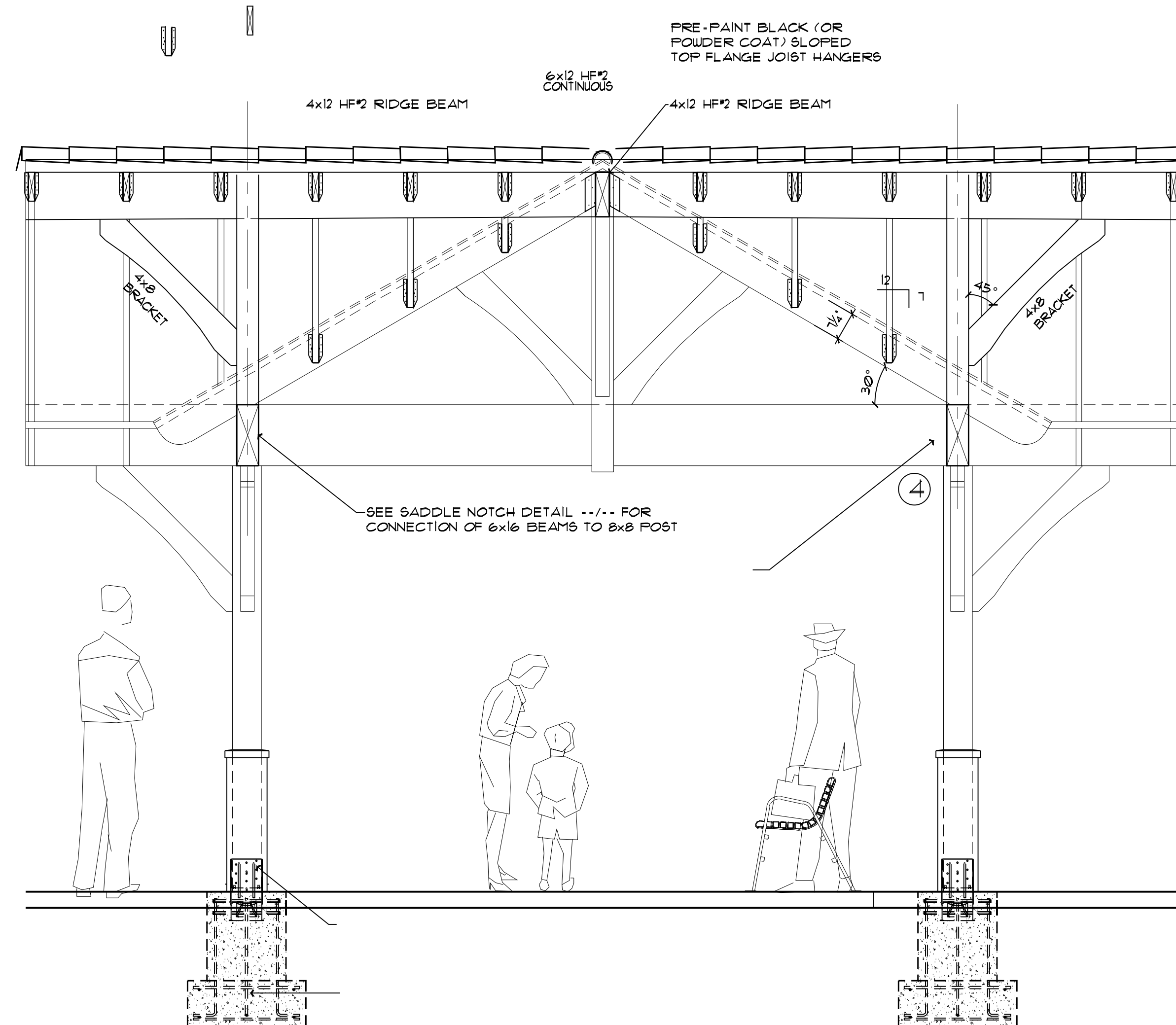
NORTH & SOUTH ELEVATIONS

SCALE: 1/4" = 1'-0"



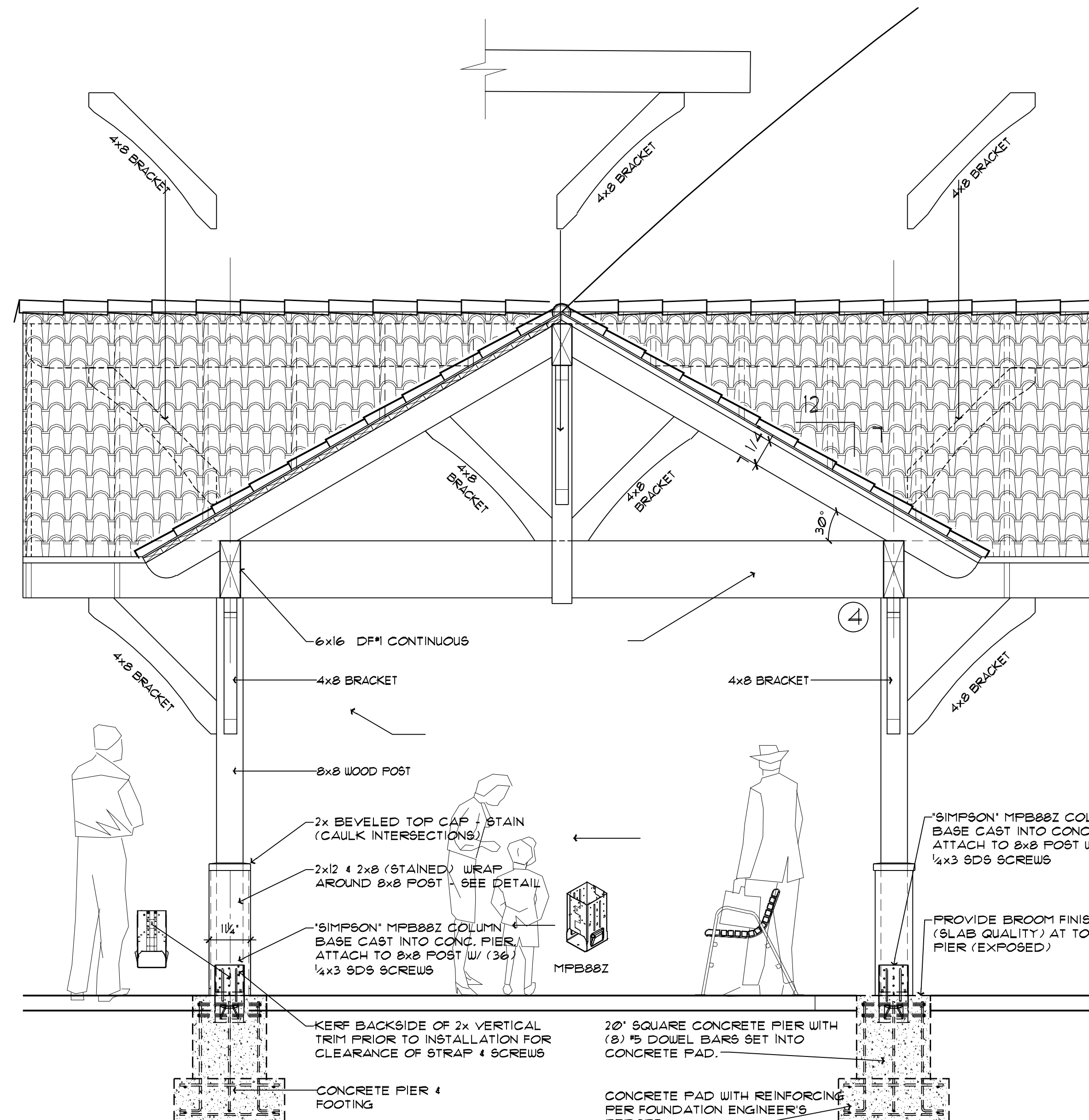
EAST & WEST ELEVATIONS

SCALE: 1/4" = 1'-0"



SECTION THRU PAVILION

SCALE: 1/2" = 1'-0"



SECTION THRU PAVILION

SCALE: 1/2" = 1'-0"



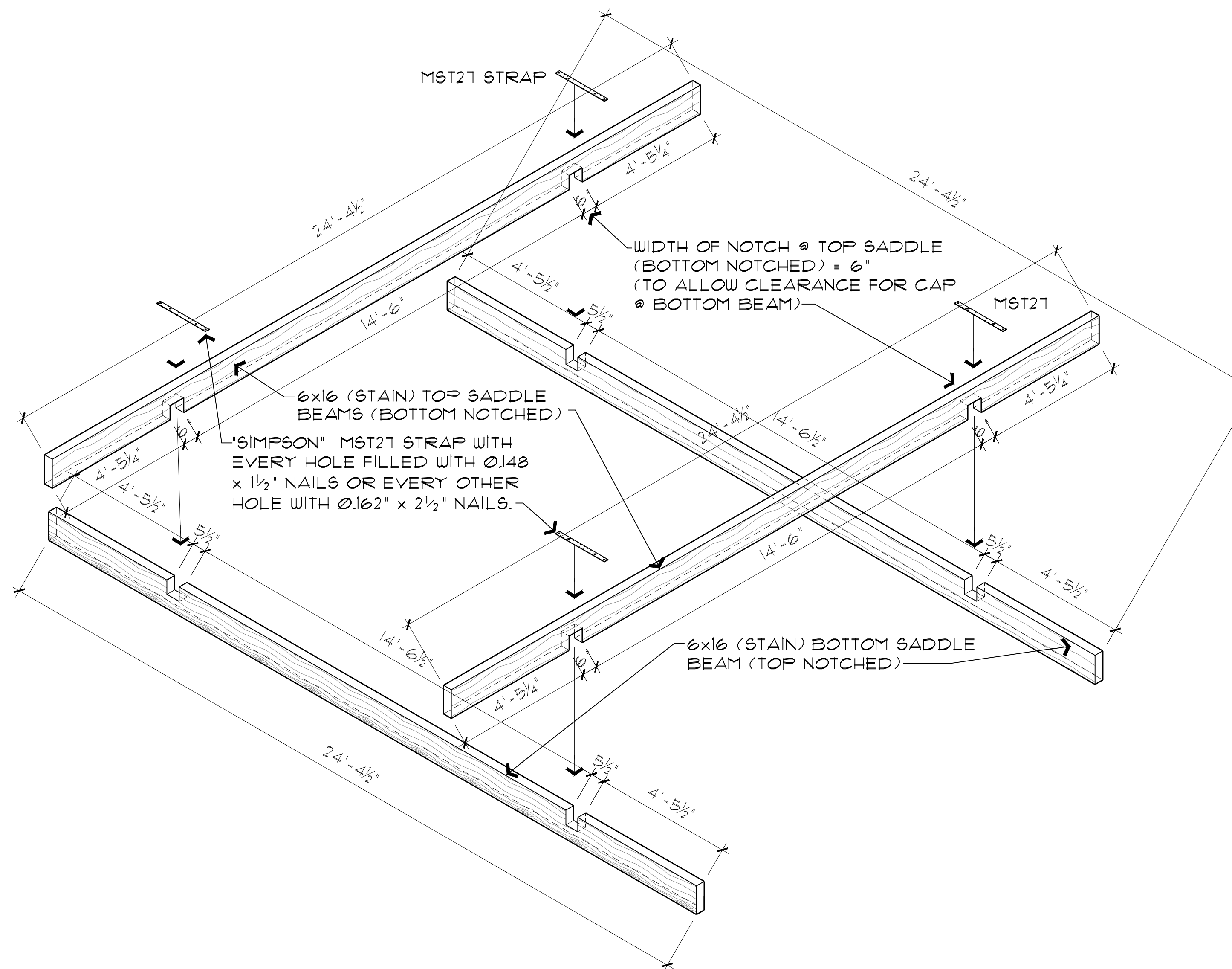
RUNGE ARCHITECTURE

CHARLES W. RUNGE, JR., ARCHITECT
5315 GERMAINE CT.
COLORADO SPRINGS, CO 80919
PHONE: (719) 260-0039
EMAIL: chuckrunge@comcast.net

CEMETERY FOR
ST. JOHN
THE BAPTIST
ORTHODOX CHURCH
7530 MOHAWK RD.
COLORADO SPRINGS, CO

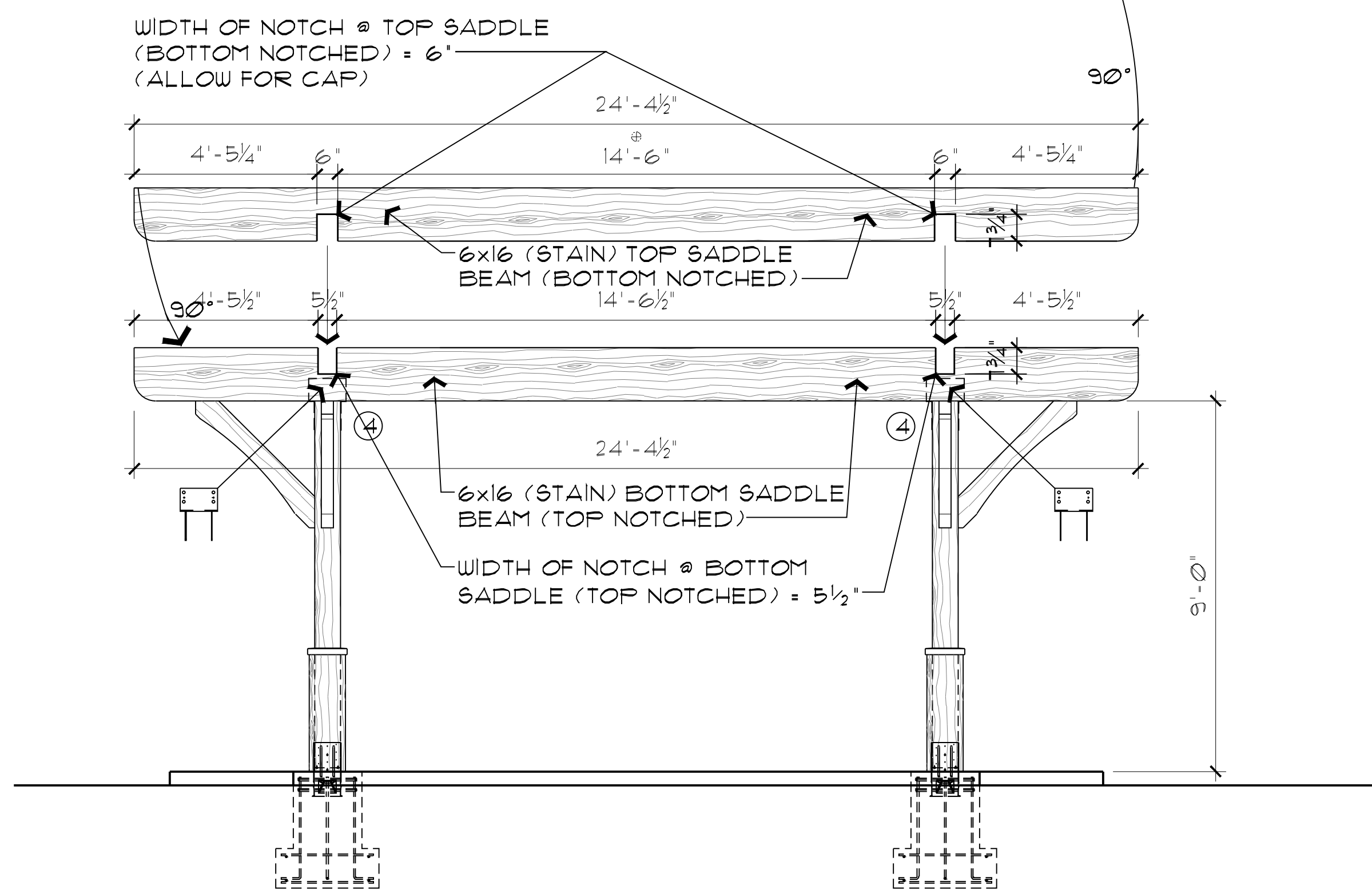
REVISIONS:

JOB NUMBER: 2606
DATE: 4/12/26
REVISED: 5 of 7
SHEET NUMBER: MP1



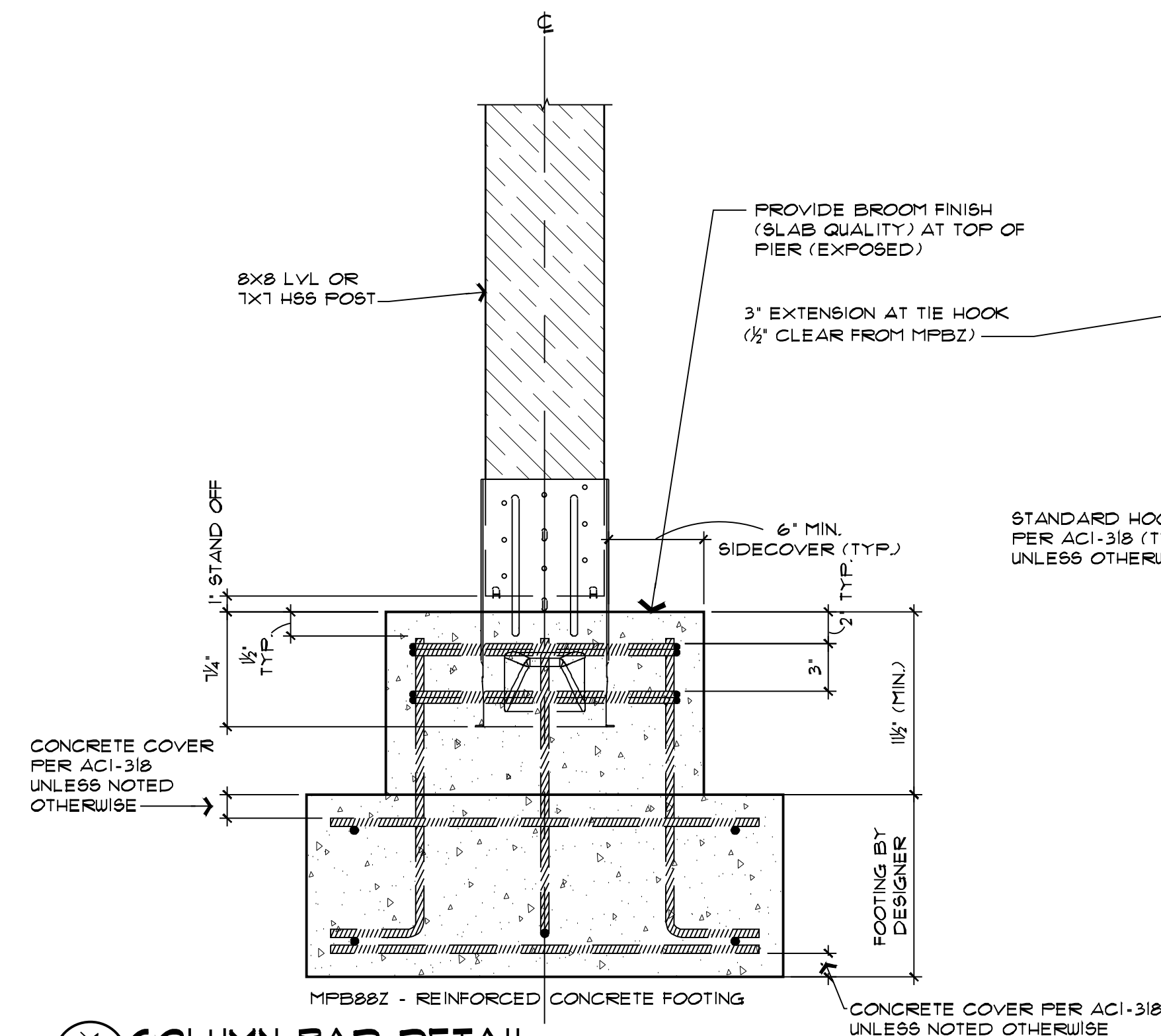
ISOMETRIC OF SADDLE NOTCH

SCALE: 1/4" = 1'-0"



ELEVATION OF SADDLE NOTCH

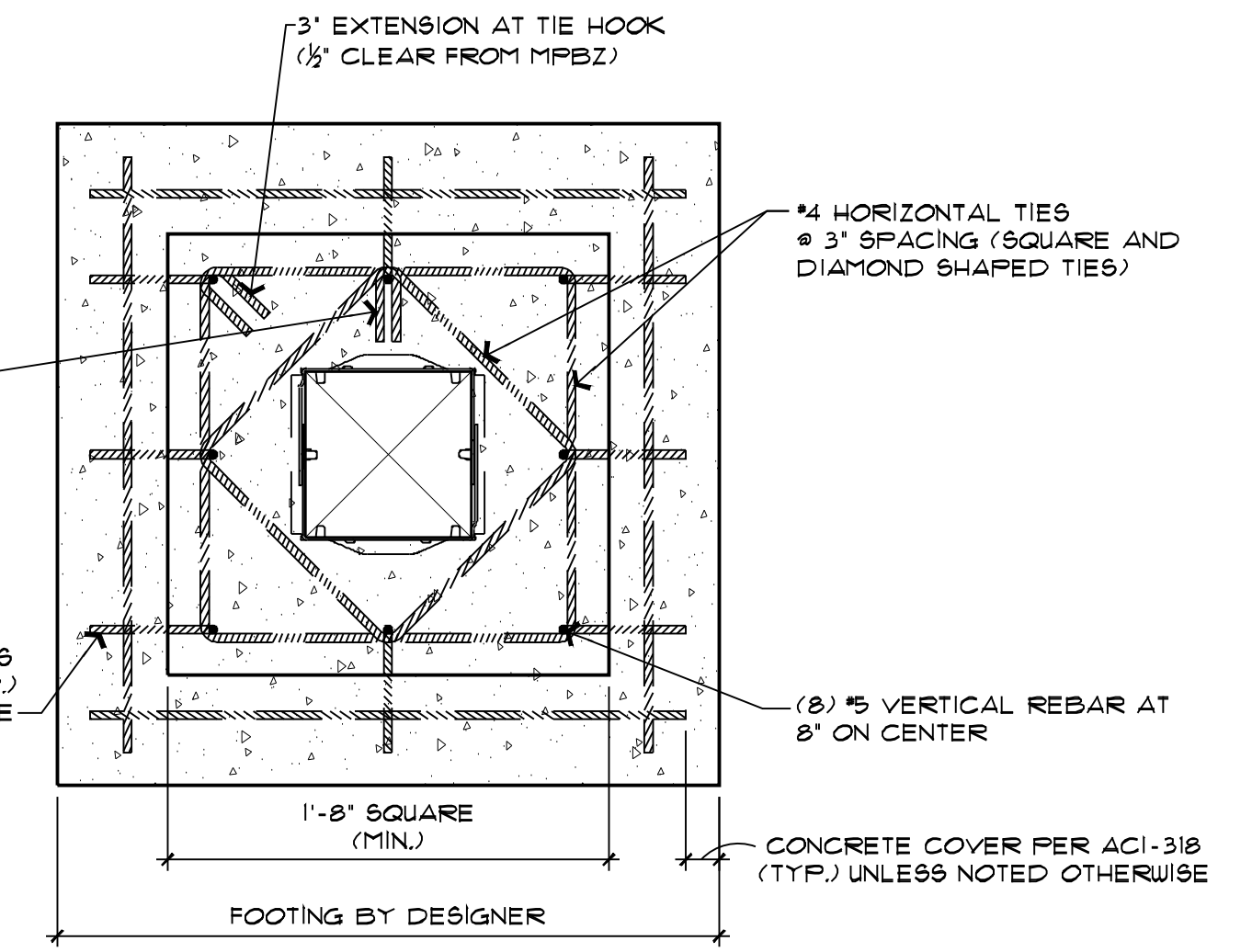
SCALE: 1/4" = 1'-0"



COLUMN PAD DETAIL

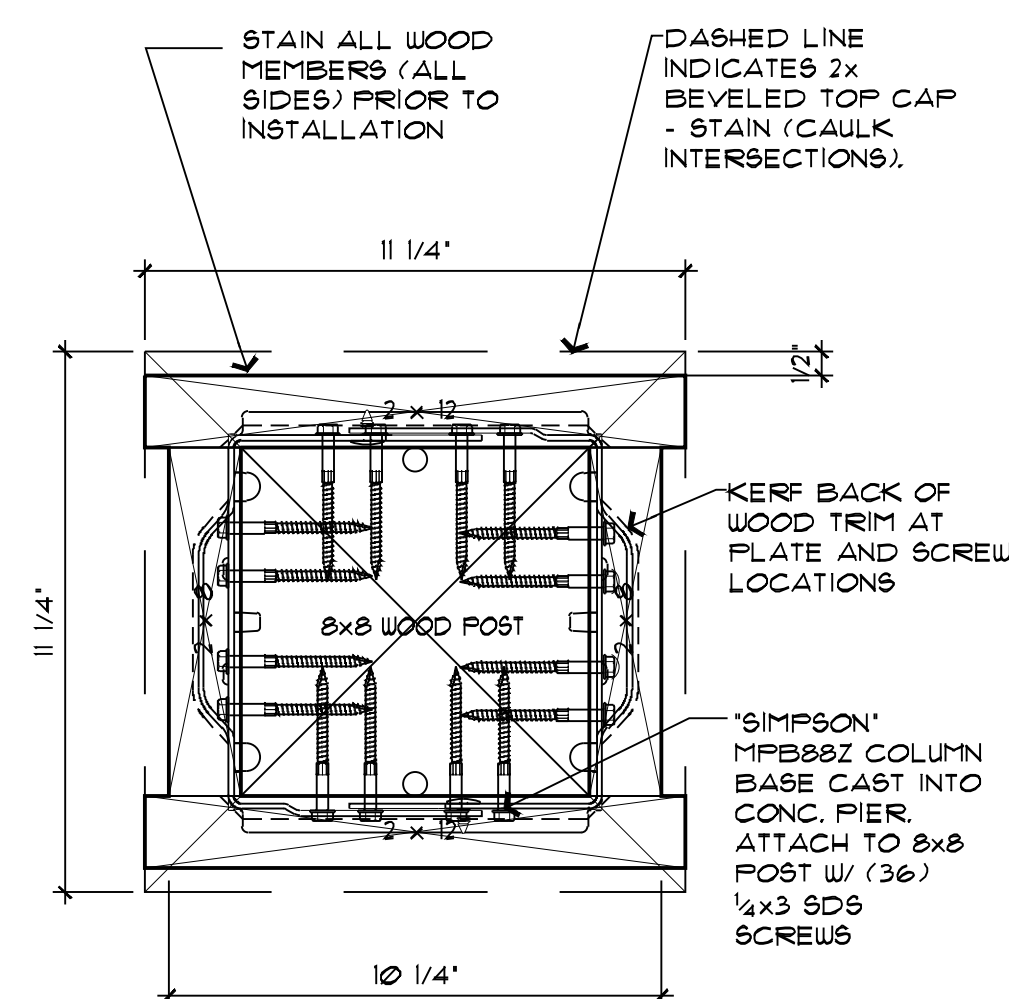
SCALE: 1 1/2" = 1'-0"

FOOTING (SIZE AND REINFORCEMENT) BY FOUNDATION ENGINEER. STANDARD HOOK GEOMETRY IN ACCORDANCE WITH ACI 318 UNLESS NOTED OTHERWISE.



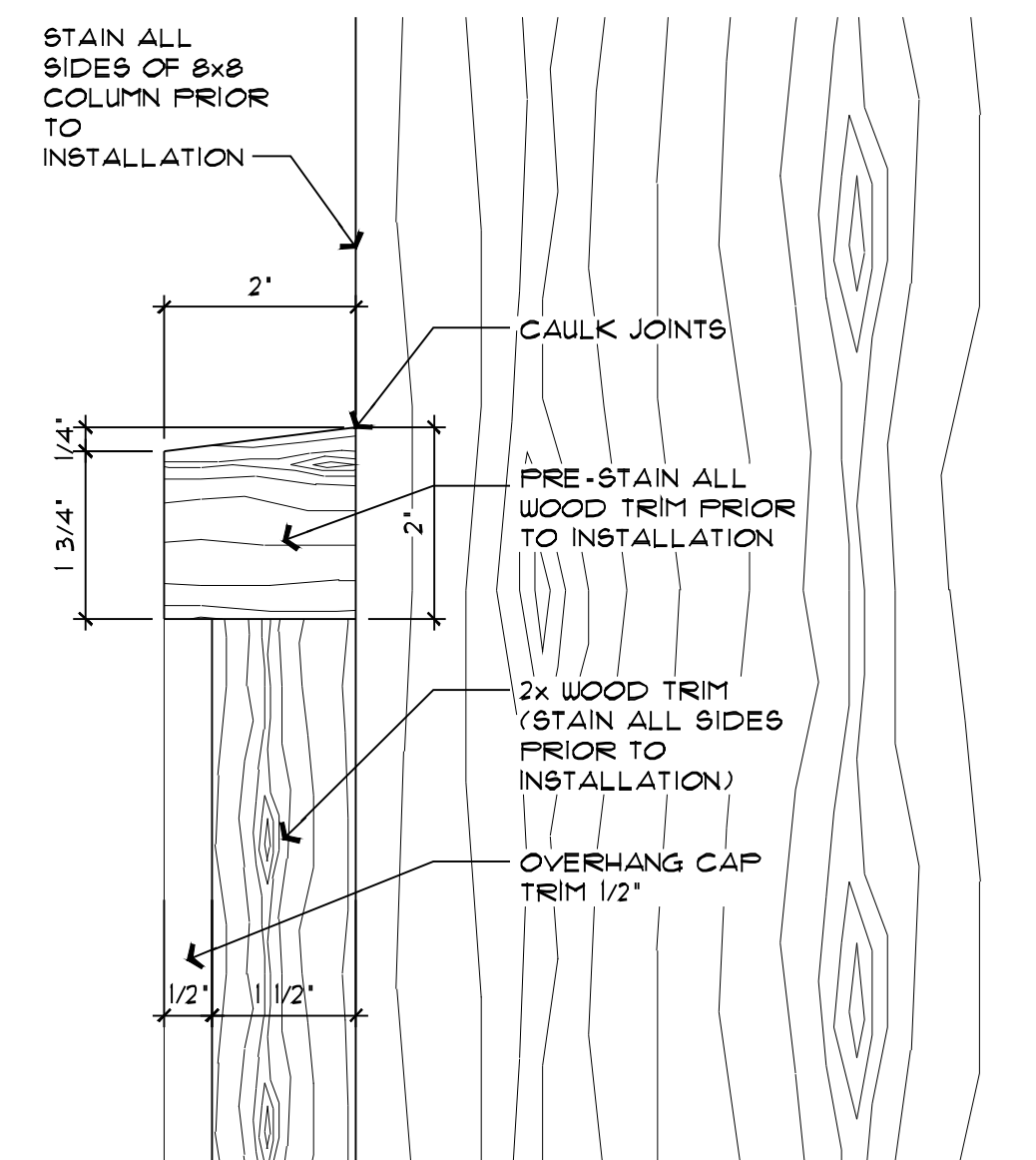
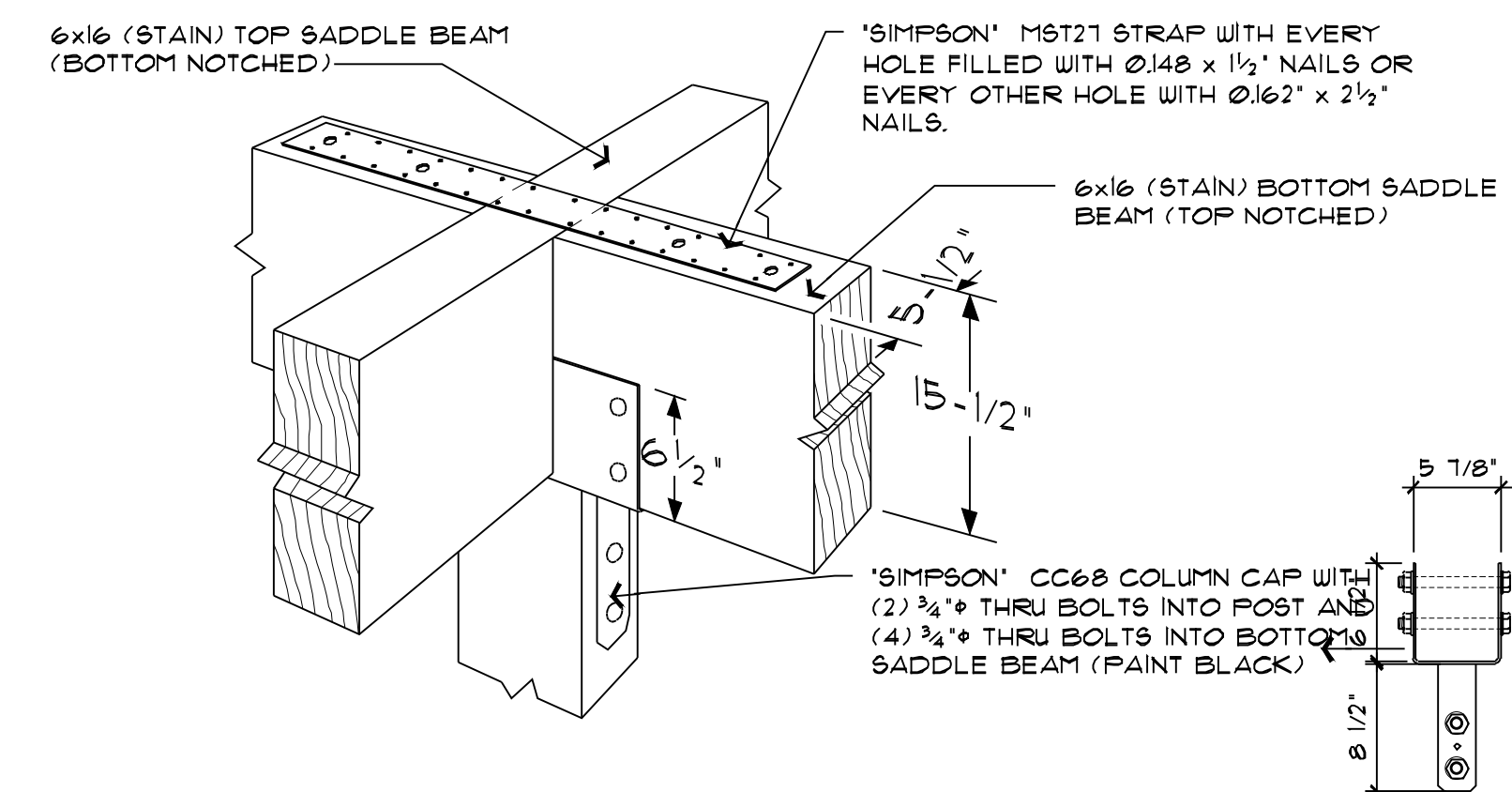
COLUMN PAD DETAIL

SCALE: 1 1/2" = 1'-0"



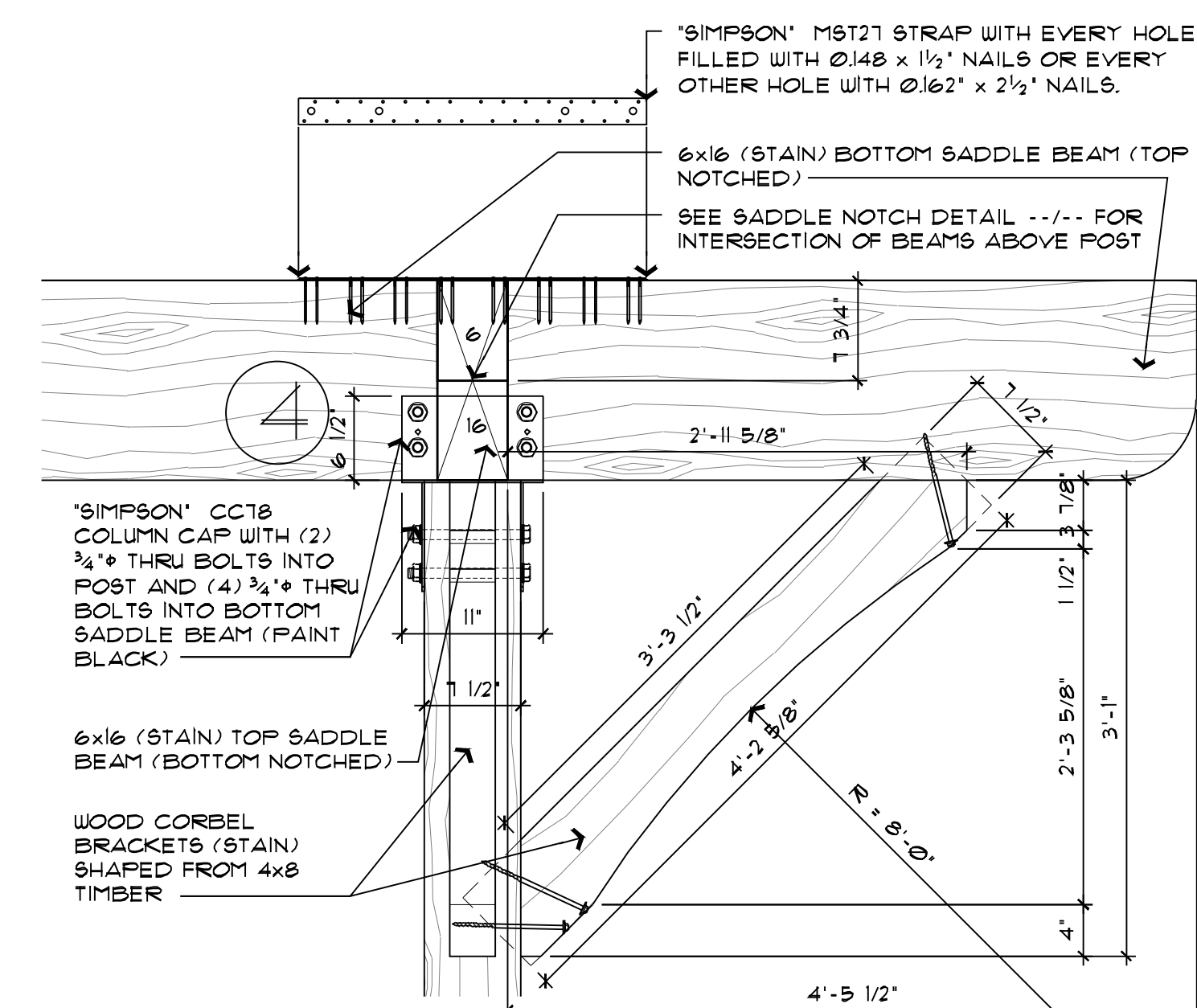
POST DETAIL

SCALE: 3" = 1'-0"



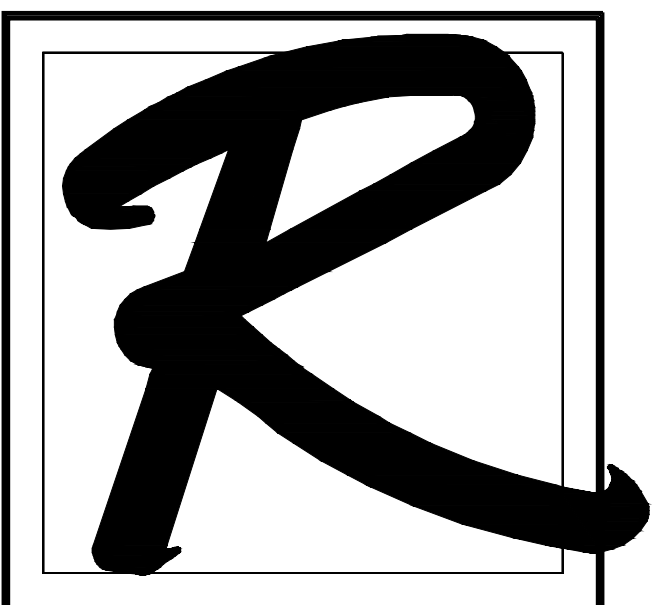
COLUMN TRIM CAP

SCALE: 6" = 1'-0"



BEAM TO POST CONNECTION DETAIL

SCALE: 1" = 1'-0"



RUNGE ARCHITECTURE

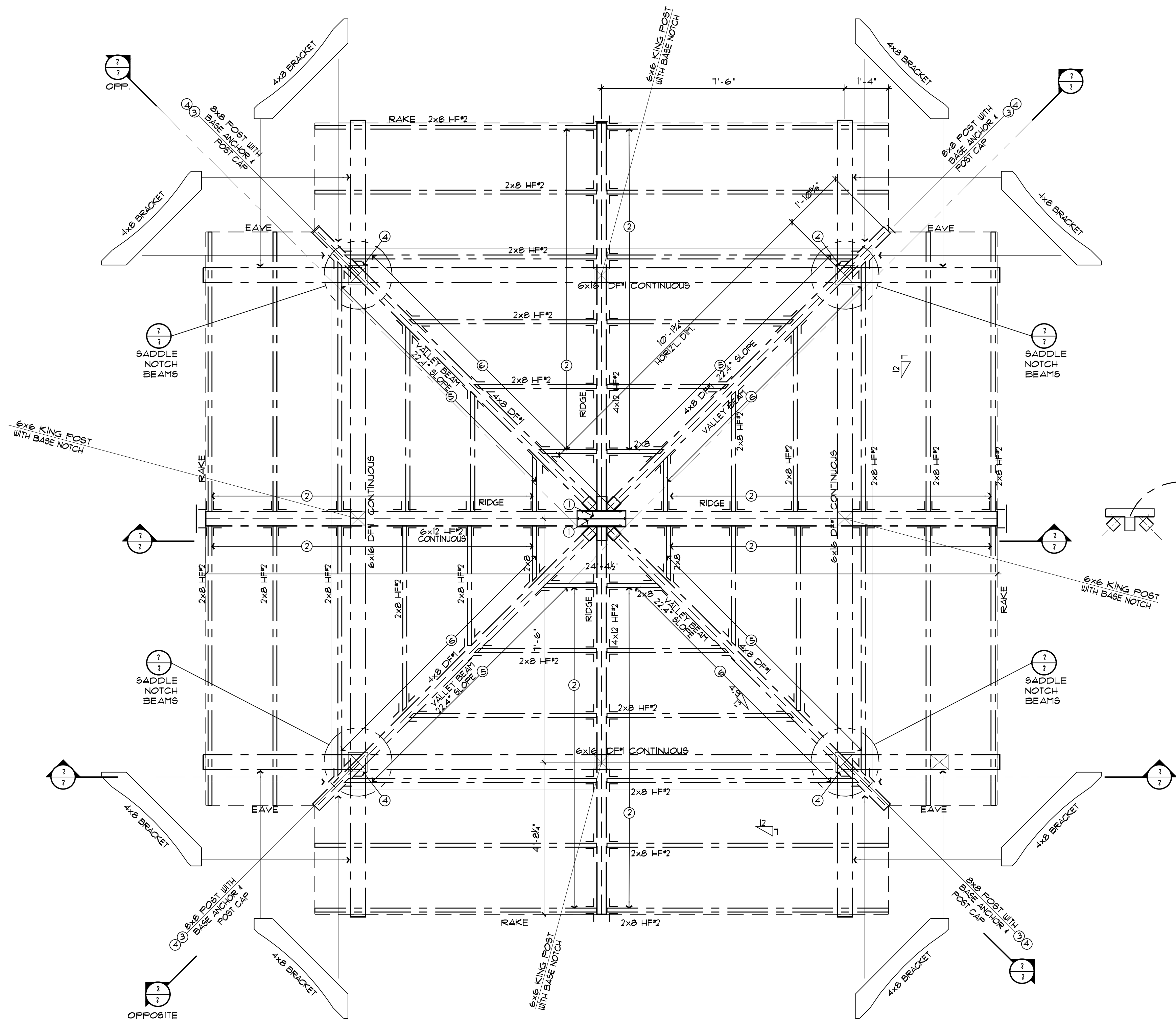
CHARLES W. RUNGE, JR., ARCHITECT
5315 GERMAINE CT.
COLORADO SPRINGS, CO 80919
PHONE: (719) 260-0039
EMAIL: chuckrunge@comcast.net

CEMETERY FOR

ST. JOHN
THE BAPTIST
ORTHODOX CHURCH
7530 MOHAWK RD.
COLORADO SPRINGS, CO

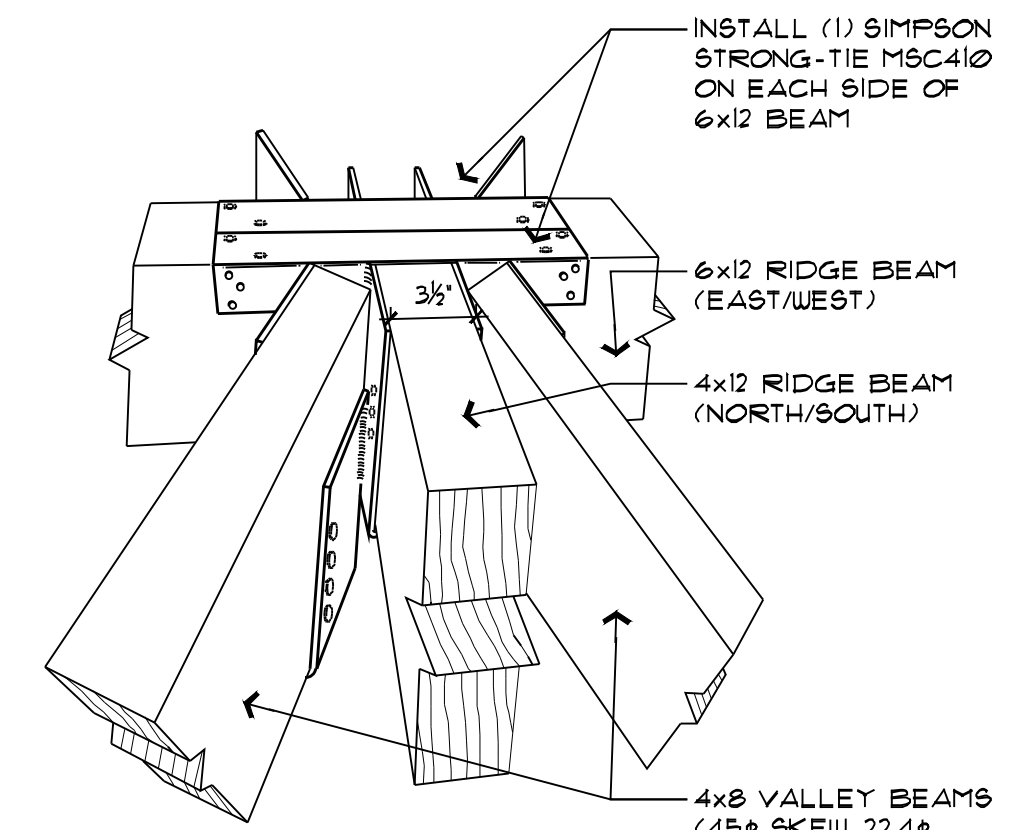
REVISIONS:

JOB NUMBER: 2606
DATE: 4/12/26
REVISED:
SHEET NUMBER: 6 of 7
PAGE: MP2



FRAMING PLAN

SCALE: 1/2" = 1'-0"

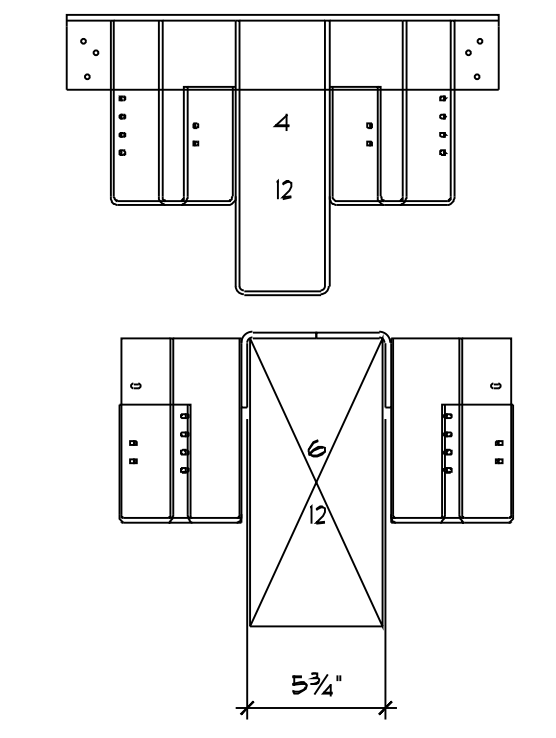


1 HANGER DETAIL

SCALE: NTS
CONTRACTOR'S OPTION TO FABRICATE STEEL HANGER CONNECTION.

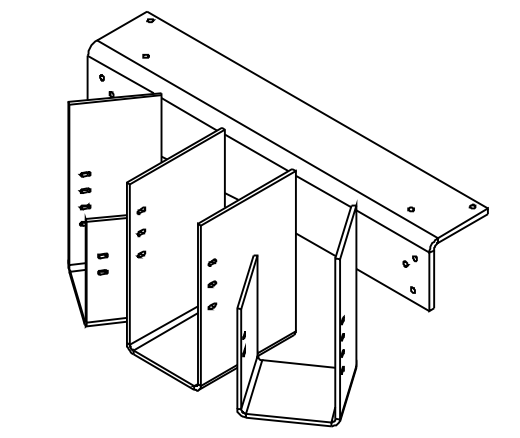
HARDWARE SCHEDULE:

NO.	HARDWARE
1	'SIMPSON' MSC4 MULTI-MEMBER HANGER, SKEW = 45°, SLOPE = 22°
2	'SIMPSON' HU28T HANGER SLOPE = 30°
3	'SIMPSON' MPB8BZ CAST INTO CONC. PIER - SEE DETAIL
4	'SIMPSON' CCB8 W/2 3/4" THRU BOLTS INTO POST + (4) 3/4" BOLTS INTO BEAM
5	'SIMPSON' HU28X9KR45SLU30 HANGER, SKEW = 45°R, SLOPE = 22°U
6	'SIMPSON' HU28X9KL45SLU30 HANGER, SKEW = 45°L, SLOPE = 22°U



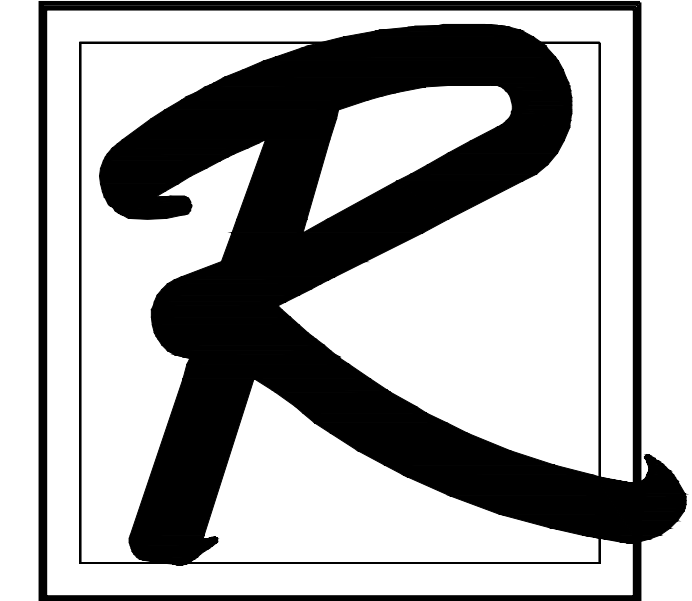
2 HANGER DETAIL

SCALE: NTS



3 ISOMETRIC VIEW OF HANGER

SCALE: NTS



RUNGE ARCHITECTURE

CHARLES W. RUNGE, JR., ARCHITECT
5315 GERMAINE CT.
COLORADO SPRINGS, CO 80919
PHONE: (719) 260-0039
EMAIL: chuckrunge@comcast.net

CEMETERY FOR

ST. JOHN
THE BAPTIST
ORTHODOX CHURCH
7530 MOHAWK RD.
COLORADO SPRINGS, CO

REVISIONS:

JOB NUMBER:	2606
DATE:	4/12/26
REVISED:	
SHEET NUMBER:	7 of 7
PAGE:	MP3