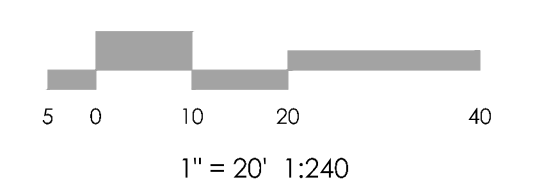
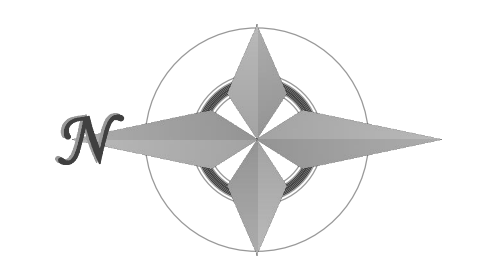


VICINITY MAP
NOT TO SCALE

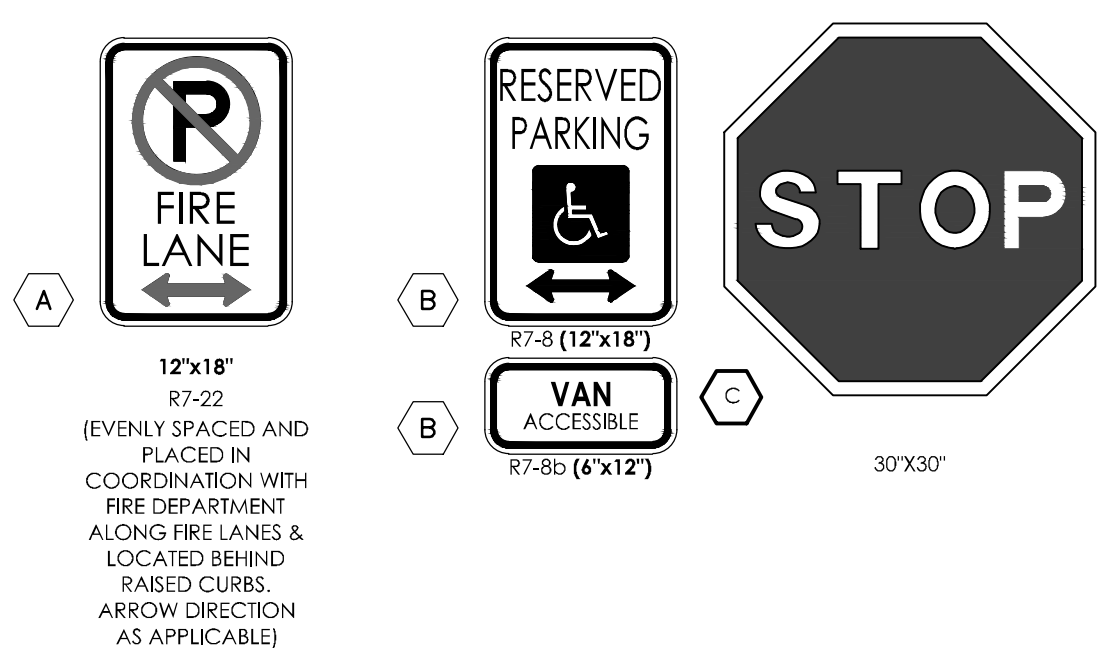
BENCHMARK
THE EXISTING TOPOGRAPHY SHOWN ON THIS PLAN WAS PREPARED BY MVE INC. USING DATA PROVIDED BY POLARIS SURVEYING INC. ELEVATIONS SHOWN ARE RELATIVE TO THE COLORADO SPRINGS UTILITIES CONTROL NETWORK (FIMS DATUM/NAVD99).



ENGINEERING Review comments are as follows:

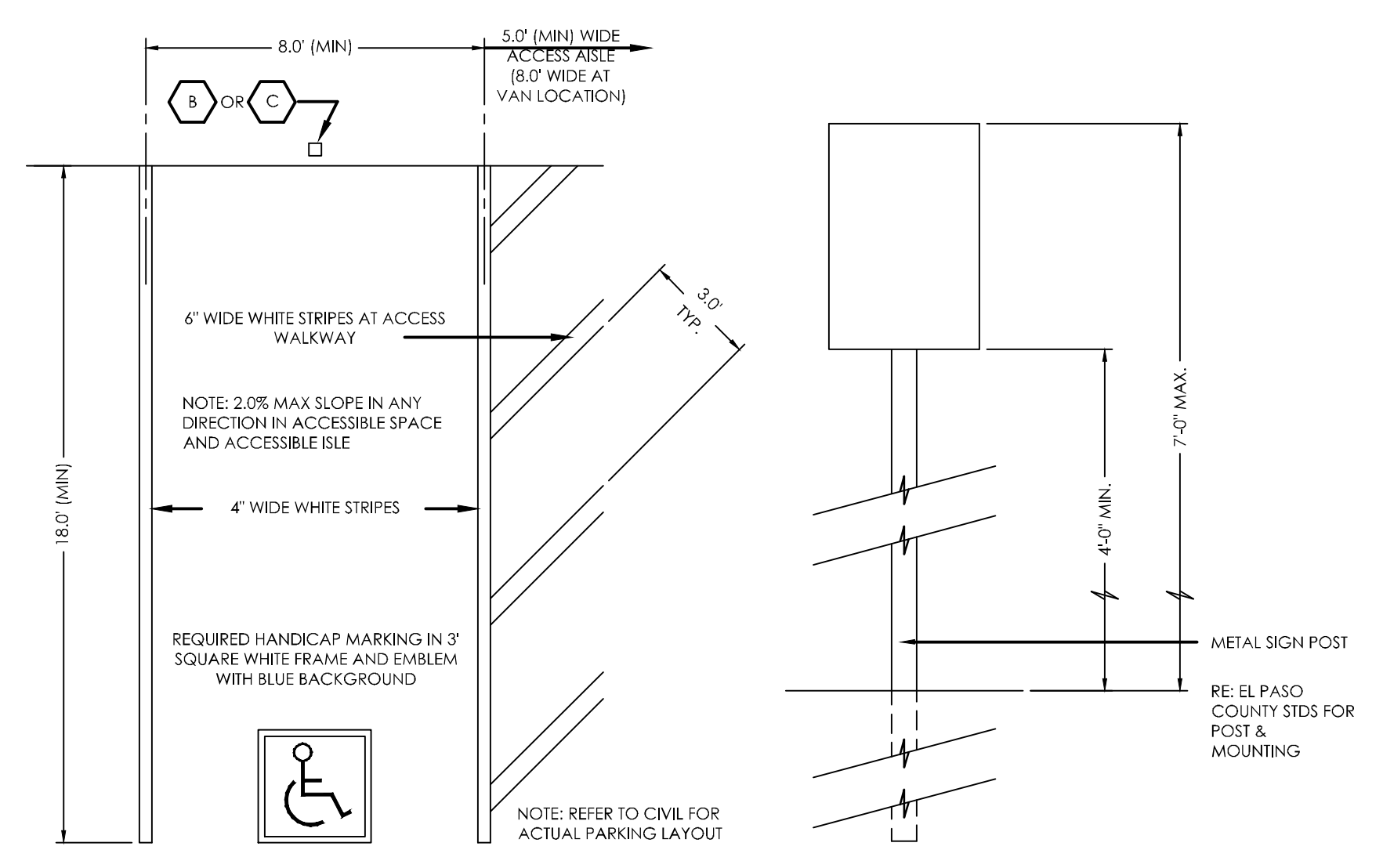
- Provide contours for site plan in areas where grading will occur.
- Provide spot elevations on new parking areas.
- Update site plan to show existing and proposed items to avoid confusion with what is already constructed on the site.

If fencing is 7ft or more, a building permit is required
Section 6.2.1.D

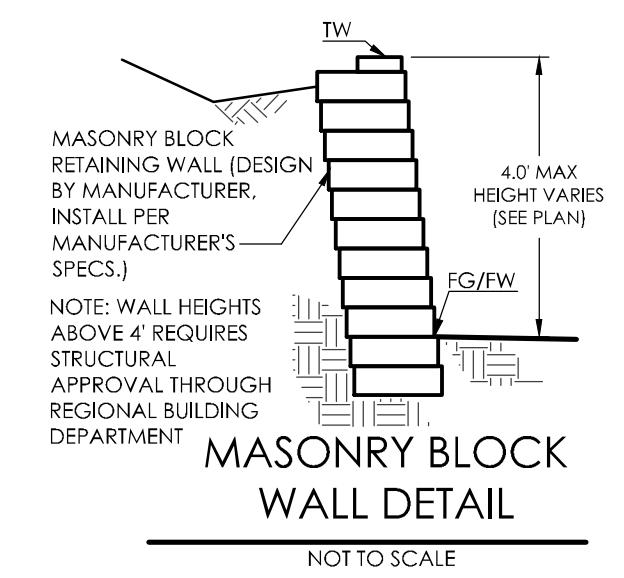


1. TYPOGRAPHY TO BE HELVETICA MEDIUM
2. ALL PRIMARY SIGNS TO BE MOUNTED ON METAL SIGN POST; 7'-0" ABOVE FINISH GRADE TO BOTTOM OF SIGN-TYP. ADDITIONAL PLACARD SIGNS SHALL BE MOUNTED AT LEAST 6'-0" ABOVE FINISH GRADE TO BOTTOM OF SIGN-TYP.
3. MOUNT HANDICAP SIGNAGE ON BUILDING.
4. FIRE LANE MARKING SHALL BE PROVIDED AS SHOWN. EITHER SIGNAGE OR STRIPING WILL BE PROVIDED IN LOCATIONS SHOWN ON PLAN. FIRE LANE MARKING REQUIREMENTS BY COLORADO SPRINGS FIRE DEPARTMENT DIVISION OF THE FIRE MARSHALL AS REVISED JULY 2016 WILL BE A FOLLOWED FOR MATERIALS AND INSTALLATION OF MARKINGS.

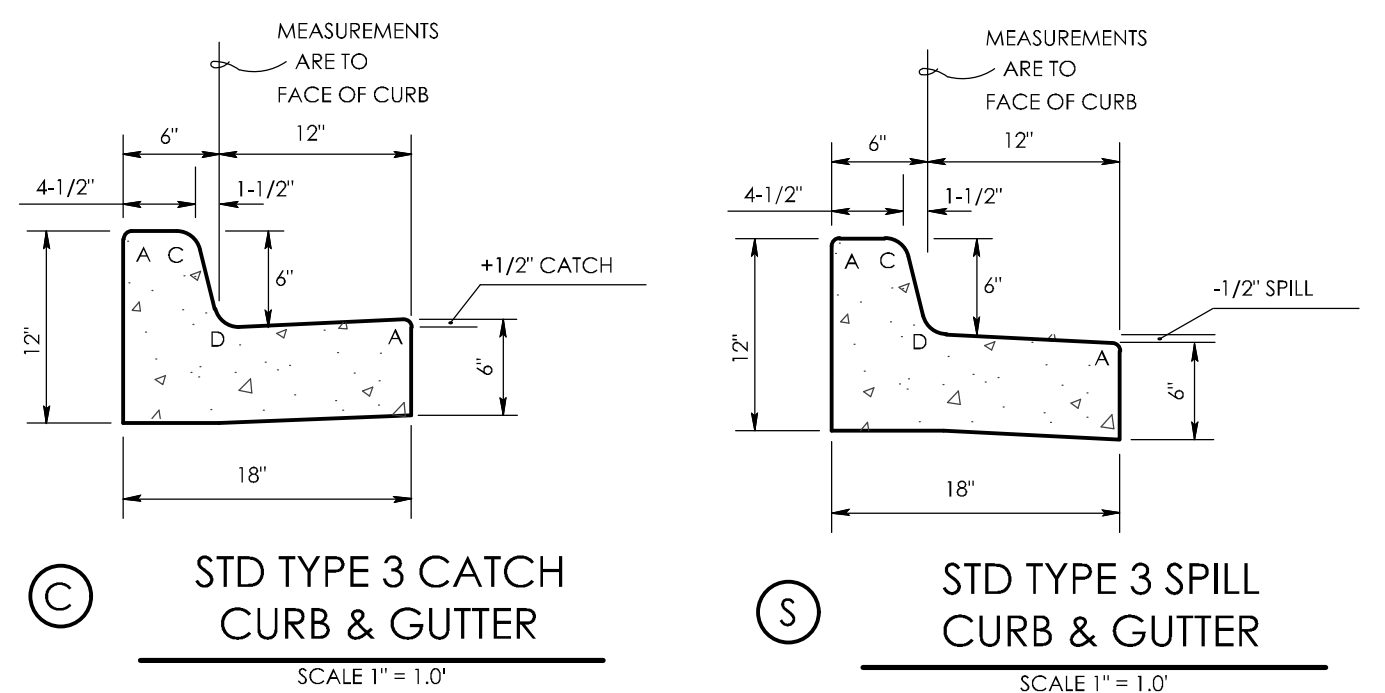
SITE SIGNAGE LEGEND
SCALE: 1" = 1'-0"



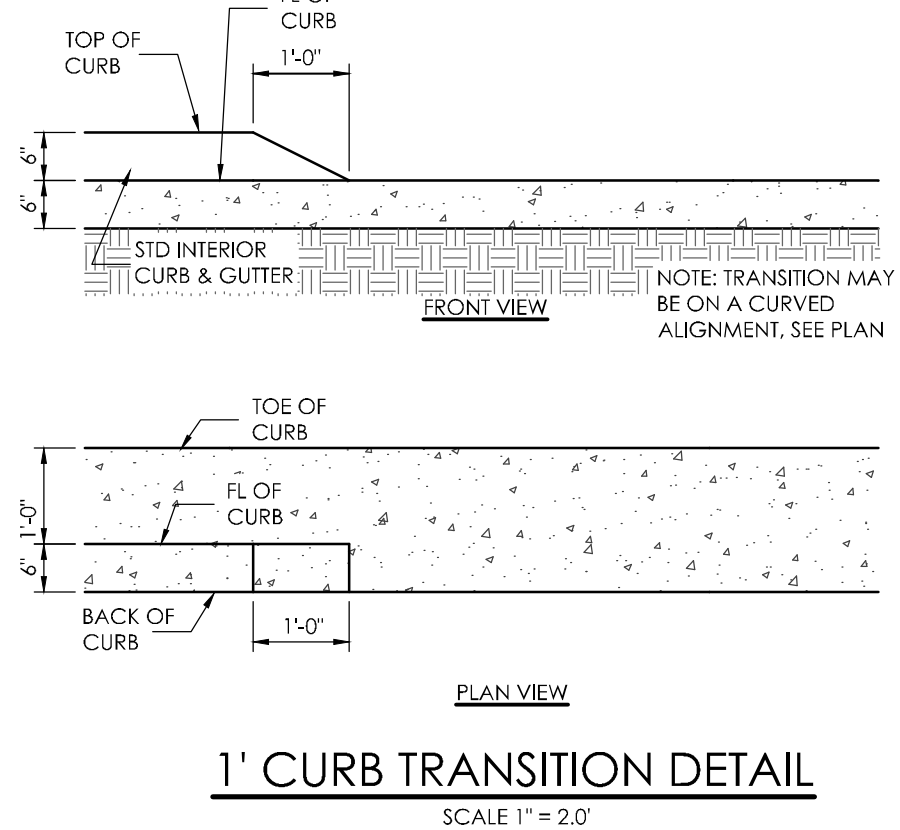
TYPICAL HANDICAP PARKING SPACE SCALE 1" = 4'-0"
TYPICAL SIGN POST NTS



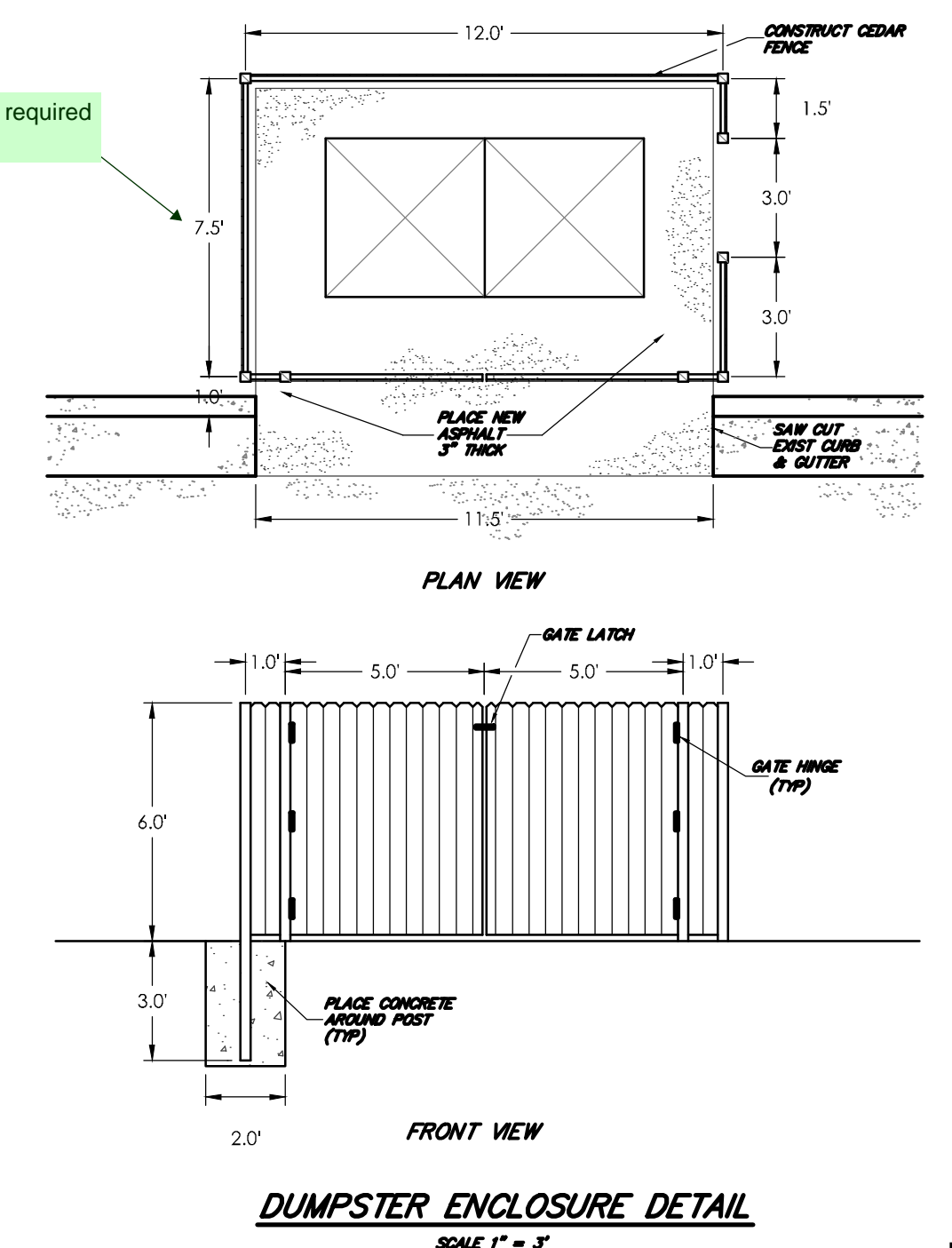
MASONRY BLOCK WALL DETAIL
NOT TO SCALE



STD TYPE 3 CATCH CURB & GUTTER SCALE 1" = 1'-0"
STD TYPE 3 SPILL CURB & GUTTER SCALE 1" = 1'-0"



1' CURB TRANSITION DETAIL SCALE 1" = 2'-0"



DUMPSTER ENCLOSURE DETAIL SCALE 1" = 3'

REVISIONS
1 ADDITIONAL PARKING AREA 9/21/2022

DESIGNED BY _____
DRAWN BY _____
CHECKED BY _____
AS-BUILTS BY _____
CHECKED BY _____

SECURITY FIRE STATION NO. 4

SITE DEVELOPMENT PLAN SITE PLAN

DP-2 MVE PROJECT 61134
MVE DRAWING DEV-SP

JANUARY 5, 2021
SHEET 2 OF 2

MVE, INC.
ENGINEERS & SURVEYORS

1903 Library Street, Suite 200 Colorado Springs, CO 80909 719.635.5736

PCD FILE # PPR-20-029