

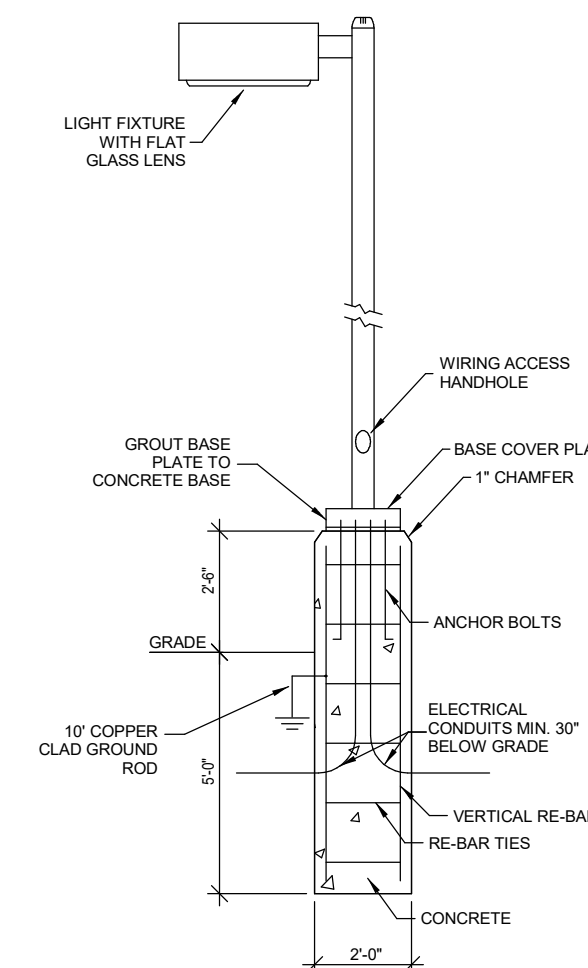
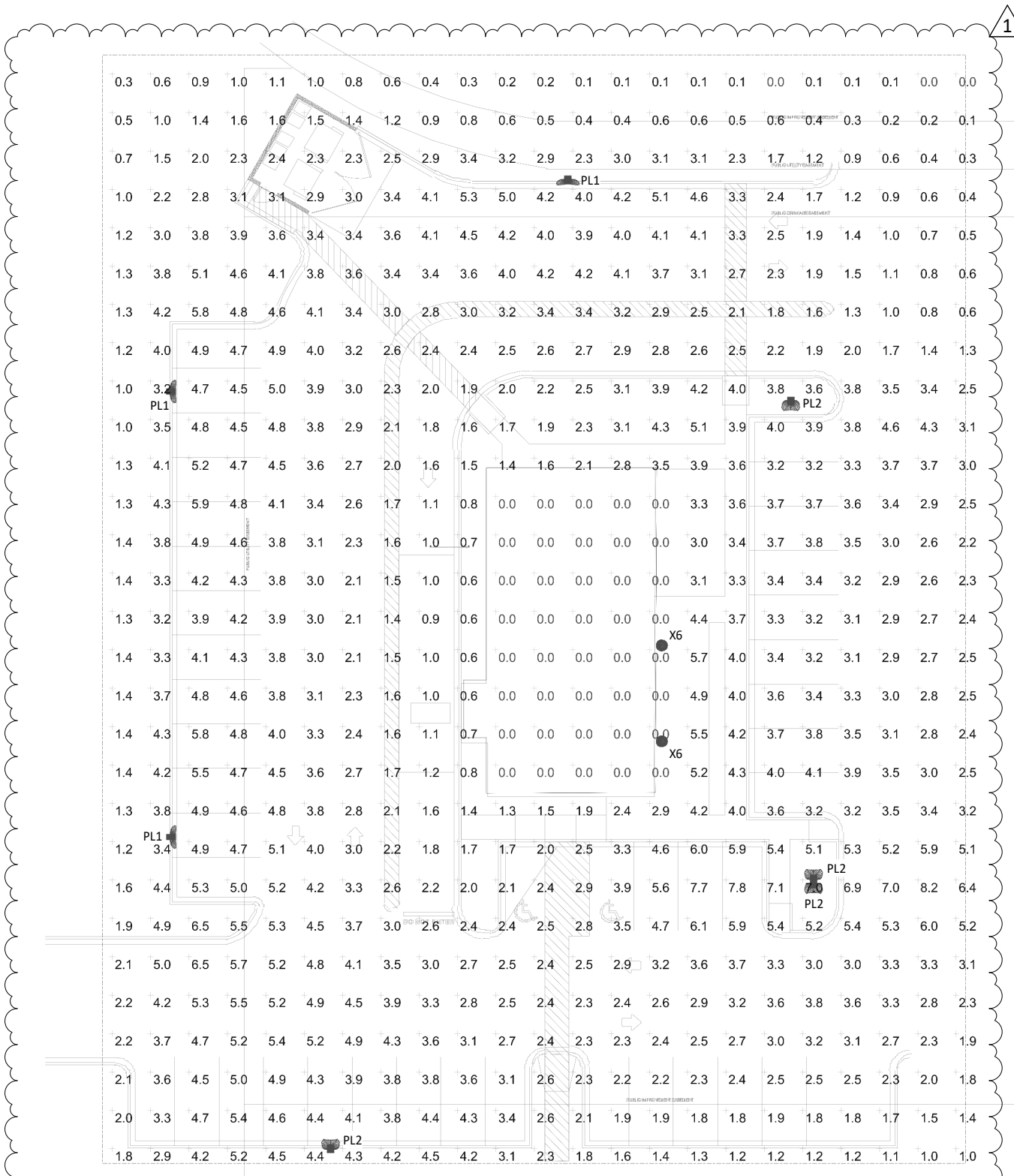
ELECTRICAL POWER PLAN NOTES

- NEW POLE LIGHT FIXTURE(S). SEE ARCHITECTURAL DRAWINGS FOR EXACT LOCATION. PROVIDE CONDUCTORS IN NEW CONDUIT TO ABOVE CHIPOTLE'S PANELBOARD LOCATION AS SHOWN ON SHEET E110. SEE DETAIL 2/THIS SHEET AND 9/E710 FOR MORE INFORMATION.
- INSTALL VEHICLE DETECTION LOOP FURNISHED BY TLS PER THE MANUFACTURER'S INSTALLATION INSTRUCTIONS. ALIGN DETECTOR LOOP TO BE CENTERED ON THE PICK-UP WINDOW.
- PROVIDE CONDUCTORS FROM TRANSFORMERS SECONDARY IN 4" CONDUIT TO THE 400A CT METER SHOWN, PER DETAIL 1/E710, AND PER THE UTILITY COMPANY SPECIFICATIONS.
- CONNECT DIRECTIONAL SIGN TO CIRCUIT SHOWN THROUGH THE EXTERIOR LIGHTING CONTACTOR PANEL AS SHOWN IN DETAIL 6/E710. SEE DETAIL 2/THIS SHEET FOR SITE CONDUITS.
- PROVIDE EMPTY CONDUIT WITH PULL STRING TO CLEARANCE BAR. SEE DETAIL 2/THIS SHEET FOR SITE CONDUITS. REFER TO ARCHITECTURAL PLANS FOR EXACT LOCATION.
- PROVIDE 400A, 120/208V, 3-PHASE, 4-WIRE ELECTRICAL SERVICE TO THE 400A CT METER CABINET AND THE 400A MAIN DISCONNECT SWITCH PER DETAIL 1/E710.
- PROVIDE 1" SPARE LOW VOLTAGE CONDUIT. SEE DETAIL 2/THIS SHEET FOR MORE INFORMATION.
- PROVIDE 1" SPARE LINE VOLTAGE CONDUIT. SEE DETAIL 2/THIS SHEET FOR MORE INFORMATION.
- PROVIDE INTERIOR J-BOXES AT 11'-0" AFF FOR LINE VOLTAGE AND LOW VOLTAGE SITE WIRING. SEE DETAIL 2/THIS SHEET FOR MORE INFORMATION.
- ALL EXTERIOR LIGHTING FIXTURES SHALL BE FULL CUT-OFF TO REDUCE OFF-SITE LIGHTING IMPACTS ONTO ADJACENT PROPERTIES AND ROADWAYS.

SITE LIGHTING FIXTURE SCHEDULE

TAG	COUNT	DESCRIPTION	MOUNTING	VOLTAGE	WATTS	FURNISHED BY	INSTALLED BY	BASIS FOR DESIGN			REMARKS
								MANUFACTURER	MODEL	LAMP	
PL1	3	PARKING LOT LIGHT	POLE	120 V	176 W	TLS	GC	COOPER	LUMARK PRV-XL-C75-D-UNV	LED	TYPE III DISTRIBUTION MOUNTED AT 25' - 0" WITH HOUSE SIDE SHIELD
PL2	4	PARKING LOT LIGHT	POLE	120 V	176 W	TLS	GC	COOPER	LUMARK PRV-XL-C75-D-UNV	LED	TYPE IV DISTRIBUTION MOUNTED AT 25' - 0" WITH HOUSE SIDE SHIELD
X6	2	EXTERIOR WALL PACK	WALL	120 V	10 W	TLS	GC	RAB LIGHTING	WPLED10Y	LED	REFER TO ARCHITECTURAL PLANS FOR MOUNTING HEIGHT AND EXACT LOCATION

Lighting fixtures shall not be mounted higher than 20 ft -if proposing an alternative lighting plan, please sight in the letter of intent and explain how this is in accordance with the code. -section 6.2.3 and section 6.2.3.E

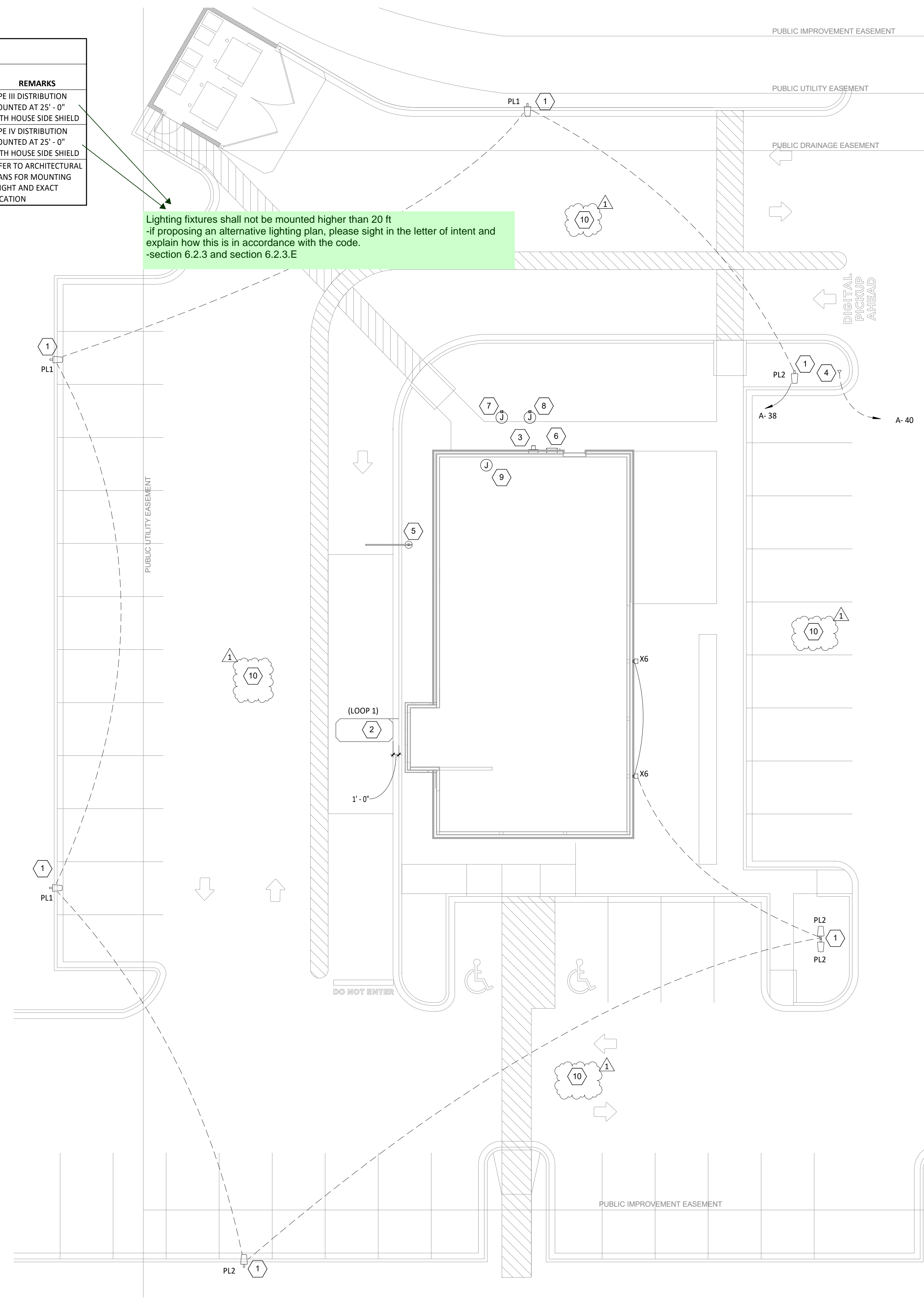
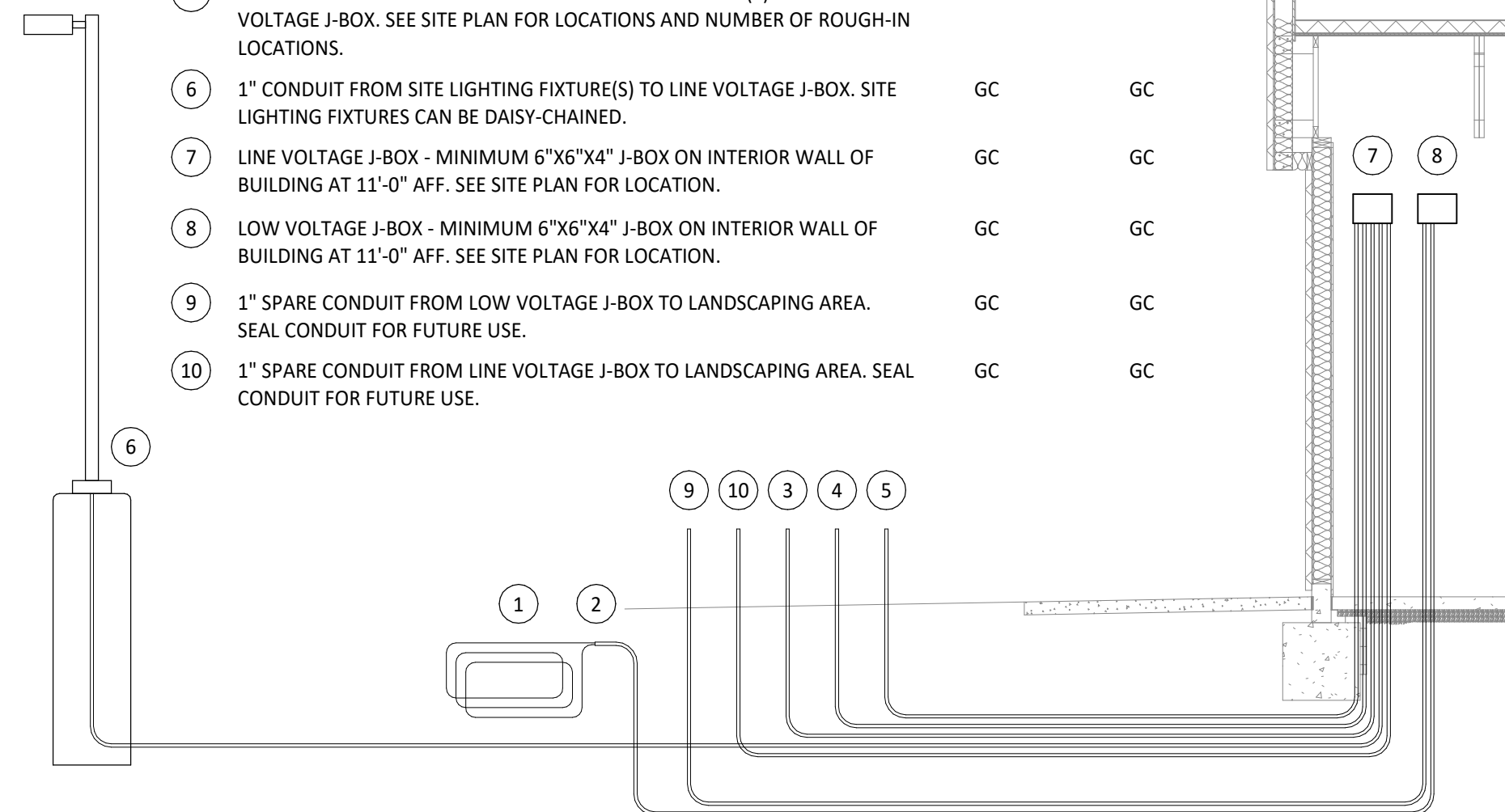


GENERAL NOTES

- WORK AND MATERIALS SHALL BE COMPLIANT WITH THE NEC AND REQUIREMENTS OF THE AHJ.
- CONDUCTORS AND CONNECTIONS BELOW GRADE, EVEN WHERE WITHIN CONDUITS OR ENCLOSURES, SHALL BE SUITABLE FOR WET LOCATIONS.
- PROVIDE PULL STRING IN EMPTY CONDUITS.
- SEAL ENDS OF CONDUITS STUBBED UP ABOVE GRADE TO PROTECT FROM THE ELEMENTS.

RESPONSIBILITY

TAG	DESCRIPTION	DEVICE OR CONDUIT	CONNECTION OR CONDUCTORS
1	VEHICLE DETECTOR LOOP - 6"x4" WITH 4 TURNS (EMX PR-46-XX). VERIFY LENGTH OF LEAD-IN WIRE PRIOR TO ORDERING TO ALLOW WIRE TO REACH VEHICLE DETECTOR WITHOUT SPLICING. SEE SITE PLAN FOR LOCATIONS.	GC	GC
2	1" CONDUIT FROM VEHICLE DETECTOR LOOP LOCATION TO LOW VOLTAGE J-BOX.	GC	GC
3	NOT USED.	-	-
4	1" CONDUIT FROM CLEARANCE BAR LOCATION TO LINE VOLTAGE J-BOX. SEE SITE PLAN FOR LOCATION.	GC	N/A
5	1" CONDUIT FROM SITE DIRECTIONAL SIGNAGE LOCATION(S) TO LINE VOLTAGE J-BOX. SEE SITE PLAN FOR LOCATIONS AND NUMBER OF ROUGH-IN LOCATIONS.	GC	GC
6	1" CONDUIT FROM SITE LIGHTING FIXTURE(S) TO LINE VOLTAGE J-BOX. SITE LIGHTING FIXTURES CAN BE DAISY-CHAINED.	GC	GC
7	LINE VOLTAGE J-BOX - MINIMUM 6"x6"x4" J-BOX ON INTERIOR WALL OF BUILDING AT 11'-0" AFF. SEE SITE PLAN FOR LOCATION.	GC	GC
8	LOW VOLTAGE J-BOX - MINIMUM 6"x6"x4" J-BOX ON INTERIOR WALL OF BUILDING AT 11'-0" AFF. SEE SITE PLAN FOR LOCATION.	GC	GC
9	1" SPARE CONDUIT FROM LOW VOLTAGE J-BOX TO LANDSCAPING AREA. SEAL CONDUIT FOR FUTURE USE.	GC	GC
10	1" SPARE CONDUIT FROM LINE VOLTAGE J-BOX TO LANDSCAPING AREA. SEAL CONDUIT FOR FUTURE USE.	GC	GC



Consultant:



Blanchard AE Group

1425 WAKARUSA DR. STE B
LAWRENCE, KS 66609
PH: 785.993.0300
AEGROUP@BAE.GROUP



COPYRIGHT 2022
THIS DRAWING IS AN INSTRUMENT OF SERVICE AND AS SUCH REMAINS THE PROPERTY OF CHIPOTLE MEXICAN GRILL, INC. PERMISSION FOR USE OF THIS DOCUMENT IS LIMITED AND CAN BE EXTENDED ONLY BY WRITTEN AGREEMENT WITH CHIPOTLE MEXICAN GRILL, INC.



CHIPOTLE MEXICAN GRILL, INC.
PO BOX 182566
COLUMBUS, OH 43218-2566
TELEPHONE: (614) 318-2400
INTERNET: WWW.CHIPOTLE.COM

STORE NO.: 4612
FALCON
7565 Falcon Market Place,
Falcon, CO 80831

Issue Record:
10/25/2022 Permit Issue

Revisions:
1 11/8/22 DP Comments

Drawn: JJD
Checked: AJD

Project No.: 221104
PPR2249

Contents:
ELECTRICAL SITE
POWER PLAN

E115