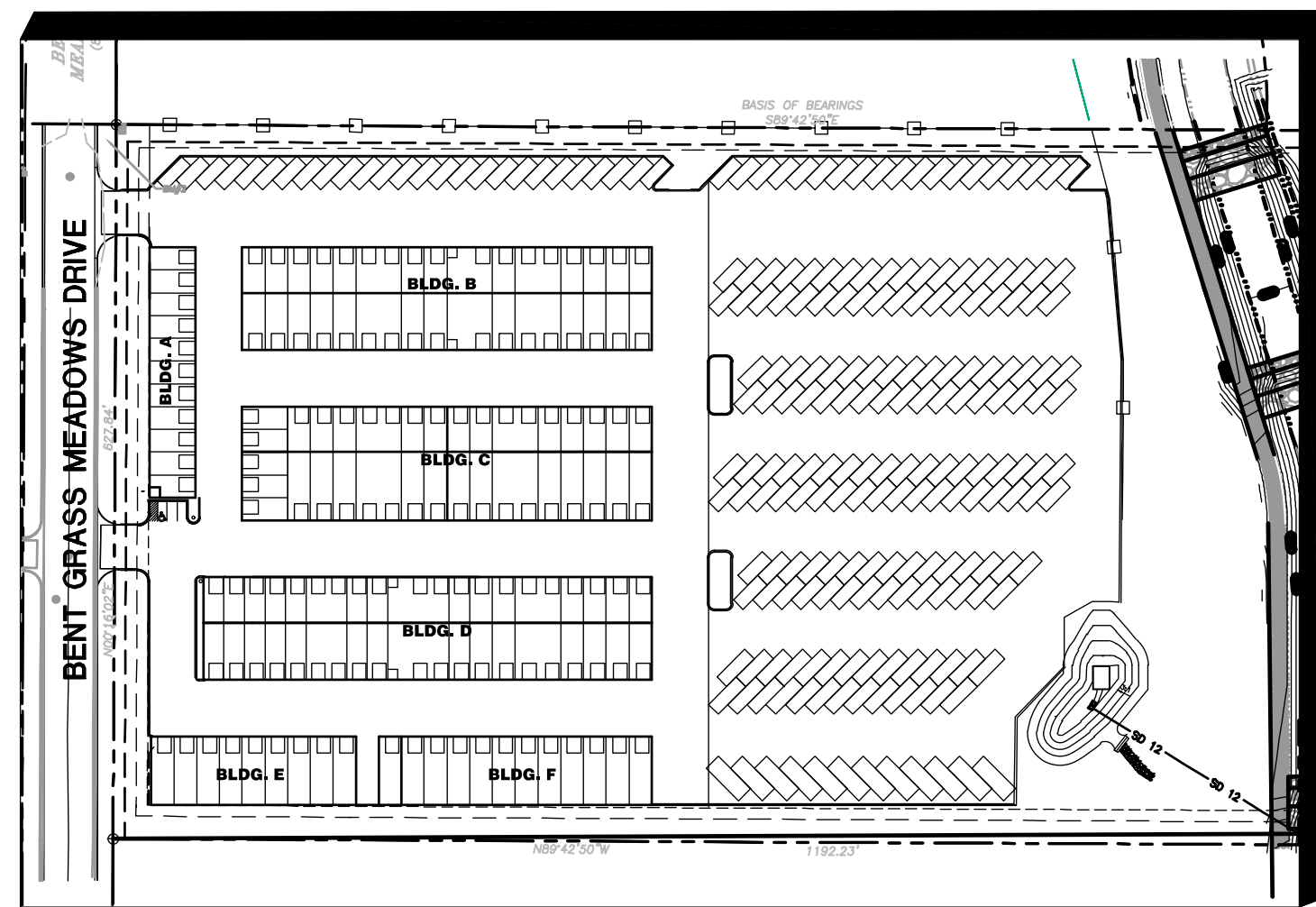


VICINITY MAP
NOT TO SCALE

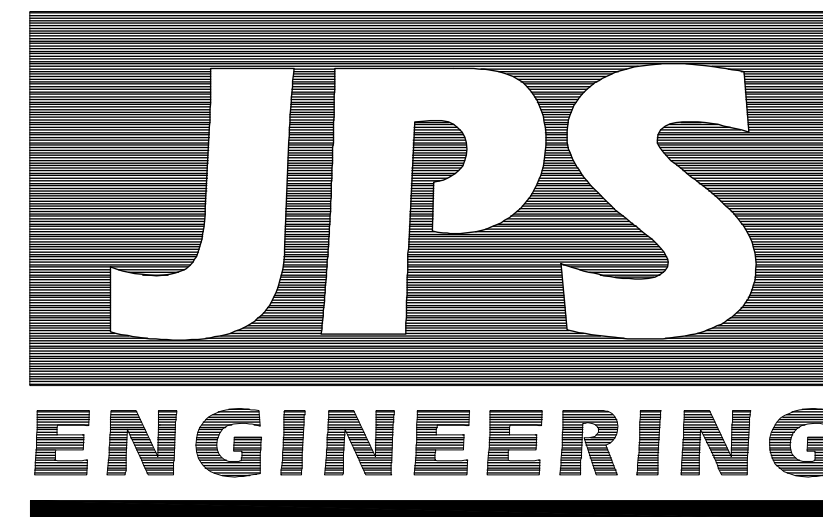


SITE MAP
NOT TO SCALE

DeYOUNG SUBDIVISION Construction Drawings El Paso County, Colorado

PREPARED FOR:
Hammers Construction, Inc.
1141 Woolsey Heights
Colorado Springs, CO 80915

PREPARED BY:



PREPARED BY:
19 East Willamette Avenue
Colorado Springs, Colorado 80903
April, 2022

AGENCIES/CONTACTS

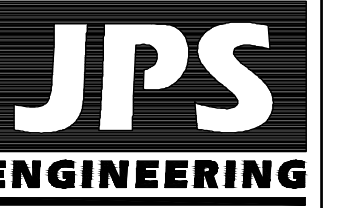
DEVELOPER:	HAMMERS CONSTRUCTION, INC. 1141 WOOLSEY HEIGHTS COLORADO SPRINGS, CO 80915 (719) 570-1599	WATER/WASTEWATER:	WOODMEN HILLS METROPOLITAN DISTRICT 8046 EASTONVILLE ROAD FALCON, CO 80831 (719)495-2500
CIVIL ENGINEER:	JPS ENGINEERING, INC. 19 E. WILLAMETTE AVENUE COLORADO SPRINGS, CO 80903 MR. JOHN P. SCHWAB, P.E. (719)477-9429	GAS DEPARTMENT:	BLACK HILLS ENERGY MR. SEBASTIAN SCHWENDER (719)399-3176
LOCAL ROADS & DRAINAGE:	EL PASO COUNTY PCD 2880 INTERNATIONAL CIRCLE COLORADO SPRINGS, CO 80910 (719)520-6300	ELECTRIC DEPARTMENT:	MOUNTAIN VIEW ELECTRIC ASSOCIATION 11140 E. WOODMEN ROAD COLORADO SPRINGS, CO 80908 MR. DAVE WALDNER (719)495-2283
		TELEPHONE COMPANY:	CENTURY LINK COMMUNICATIONS (LOCATORS) (800)922-1987 A.T. & T. (LOCATORS) (719)635-3674

BENCHMARKS:
BM #1
FIMS MONUMENT BLT169
ELEV.=6884.81' (NGVD1929)

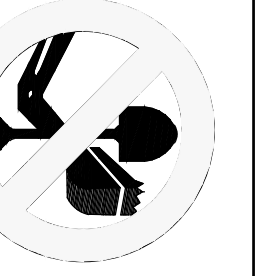
BM #2
FLANGE BOLT ON HYDRANT "MUELLER BOLT", LOCATED ON THE
EAST SIDE OF BENT GRASS MEADOWS DRIVE 1900 FEET NORTH OF
WOODMEN FRONTAGE ROAD
ELEV.=6938.84' (NGVD1929)

BASIS OF BEARINGS:
ALL BEARINGS IN THIS DESCRIPTION ARE RELATIVE TO THE NORTHERLY LINE OF LATIGO
BUSINESS CENTER FILING NO.1 (RECEPTION NO. 205075726, EL PASO COUNTY,
COLORADO RECORDS), WHICH BEARS SOUTH 89° 42' 50" EAST ASSUMED).

CALL UTILITY NOTIFICATION
CENTER OF COLORADO
1-800-922-1987
CALL 2-BUSINESS DAYS IN ADVANCE
BEFORE YOU DIG, GRADE, OR EXCAVATE
FOR THE MARKING OF UNDERGROUND
MEMBER UTILITIES.



19 E. Willamette Ave.
Colorado Springs, CO
80903
PH: 719-477-9429
FAX: 719-471-0768
www.jpsengr.com



CALL UTILITY NOTIFICATION
CENTER OF COLORADO
1-800-922-1987
CALL 2-BUSINESS DAYS IN ADVANCE
BEFORE YOU DIG, GRADE, OR EXCAVATE
FOR THE MARKING OF UNDERGROUND
MEMBER UTILITIES.

SHEET INDEX

G1	TITLE SHEET
G2	GENERAL NOTES & LEGEND
C1.1	SITE GRADING & EROSION CONTROL PLAN
C2.1	CIVIL NOTES & DETAILS
C2.2	EROSION CONTROL NOTES & DETAILS
C3.1	DETENTION POND A PLAN & DETAILS
C4.1	SITE CROSS SECTION
PP1	BENT GRASS MEADOWS DRIVE PLAN & PROFILE
U1.1	PHASE 1 SITE UTILITY PLAN

ENGINEER:

DESIGN ENGINEER'S STATEMENT:

THESE DETAILED PLANS AND SPECIFICATIONS WERE PREPARED UNDER MY DIRECTION AND SUPERVISION. SAID PLANS AND SPECIFICATIONS HAVE BEEN PREPARED ACCORDING TO THE CRITERIA ESTABLISHED BY THE COUNTY FOR DETAILED ROADWAY, DRAINAGE, GRADING AND EROSION CONTROL PLANS AND SPECIFICATIONS, AND SAID PLANS AND SPECIFICATIONS ARE IN CONFORMITY WITH APPLICABLE MASTER DRAINAGE PLANS AND MASTER TRANSPORTATION PLANS. SAID PLANS AND SPECIFICATIONS MEET THE PURPOSES FOR WHICH THE PARTICULAR ROADWAY AND DRAINAGE FACILITIES ARE DESIGNED AND ARE CORRECT TO THE BEST OF MY KNOWLEDGE AND BELIEF. I ACCEPT RESPONSIBILITY FOR LIABILITY CAUSED BY NEGLIGENT ACTS, ERRORS OR OMISSIONS ON MY PART IN PREPARATION OF THESE DETAILED PLANS AND SPECIFICATIONS.

JOHN P. SCHWAB, P.E. #29891

DATE

OWNER/DEVELOPER'S STATEMENT:

I, THE OWNER/DEVELOPER HAVE READ AND WILL COMPLY WITH THE REQUIREMENTS OF THE GRADING AND EROSION CONTROL PLAN AND ALL OF THE REQUIREMENTS SPECIFIED IN THESE DETAILED PLANS AND SPECIFICATIONS.

HAMMERS CONSTRUCTION, INC.
1141 WOOLSEY HEIGHTS
COLORADO SPRINGS, CO 80915

DATE

EL PASO COUNTY:

COUNTY PLAN REVIEW IS PROVIDED ONLY FOR GENERAL CONFORMANCE WITH COUNTY DESIGN CRITERIA. THE COUNTY IS NOT RESPONSIBLE FOR THE ACCURACY AND ADEQUACY OF THE DESIGN, DIMENSIONS, AND/OR ELEVATIONS WHICH SHALL BE CONFIRMED AT THE JOB SITE. THE COUNTY THROUGH THE APPROVAL OF THIS DOCUMENT ASSUMES NO RESPONSIBILITY FOR COMPLETENESS AND/OR ACCURACY OF THIS DOCUMENT.

FILED IN ACCORDANCE WITH THE REQUIREMENTS OF THE EL PASO COUNTY LAND DEVELOPMENT CODE, DRAINAGE CRITERIA MANUAL, VOLUMES 1 AND 2, AND ENGINEERING CRITERIA MANUAL AS AMENDED.

IN ACCORDANCE WITH ECM SECTION 1.12, THESE CONSTRUCTION DOCUMENTS WILL BE VALID FOR CONSTRUCTION FOR A PERIOD OF 2 YEARS FROM THE DATE SIGNED BY THE EL PASO COUNTY ENGINEER. IF CONSTRUCTION HAS NOT STARTED WITHIN THOSE 2 YEARS, THE PLANS WILL NEED TO BE RESUBMITTED FOR APPROVAL, INCLUDING PAYMENT OF REVIEW FEES AT THE PLANNING AND COMMUNITY DEVELOPMENT DIRECTOR'S DISCRETION.

JENNIFER IRVINE, P.E.,
COUNTY ENGINEER / ECM ADMINISTRATOR

DATE

PCD PROJECT NO. MS-20-001

DeYOUNG SUBDIVISION

TITLE SHEET

HORIZ. SCALE:	HS	DRAWN:	BJJ
VERT. SCALE:	VS	DESIGNED:	JPS
SURVEYED:	RIDGELINE	CHECKED:	JPS
CREATED:	4/14/20	LAST MODIFIED:	04/19/22
PROJECT NO.:	031901	MODIFIED BY:	BJJ
SHEET:	G1		

COUNTY GENERAL NOTES:

- ALL DRAINAGE AND ROADWAY CONSTRUCTION SHALL MEET THE STANDARDS AND SPECIFICATIONS OF THE CITY OF COLORADO SPRINGS/EL PASO COUNTY DRAINAGE CRITERIA MANUAL, VOLUMES 1 AND 2, AND THE EL PASO COUNTY ENGINEERING CRITERIA MANUAL.
- CONTRACTOR SHALL BE RESPONSIBLE FOR THE NOTIFICATION AND FIELD LOCATION OF ALL EXISTING UTILITIES, WHETHER SHOWN ON THE PLANS OR NOT, BEFORE BEGINNING CONSTRUCTION. LOCATION OF EXISTING UTILITIES SHALL BE VERIFIED BY THE CONTRACTOR PRIOR TO CONSTRUCTION. CALL 811 TO CONTACT THE UTILITY NOTIFICATION CENTER OF COLORADO (UNCC).
- CONTRACTOR SHALL KEEP A COPY OF THESE APPROVED PLANS, THE GRADING AND EROSION CONTROL PLAN, THE STORMWATER MANAGEMENT PLAN (SWMP), THE SOILS AND GEOTECHNICAL REPORT, AND THE APPROPRIATE DESIGN AND CONSTRUCTION STANDARDS AND SPECIFICATIONS AT THE JOB SITE AT ALL TIMES, INCLUDING THE FOLLOWING:
 - EL PASO COUNTY ENGINEERING CRITERIA MANUAL (ECM)
 - CITY OF COLORADO SPRINGS/EL PASO COUNTY DRAINAGE CRITERIA MANUAL, VOLUMES 1 AND 2
 - COLORADO DEPARTMENT OF TRANSPORTATION (CDOT) STANDARD SPECIFICATIONS FOR ROAD AND BRIDGE CONSTRUCTION
 - CDOT M & S STANDARDS
- NOTWITHSTANDING ANYTHING DEPICTED IN THESE PLANS IN WORDS OR GRAPHIC REPRESENTATION, ALL DESIGN AND CONSTRUCTION RELATED TO ROADS, STORM DRAINAGE AND EROSION CONTROL SHALL CONFORM TO THE STANDARDS AND REQUIREMENTS OF THE MOST RECENT VERSION OF THE RELEVANT ADOPTED EL PASO COUNTY STANDARDS, INCLUDING THE LAND DEVELOPMENT CODE, THE DRAINAGE CRITERIA MANUAL, AND THE DRAINAGE CRITERIA MANUAL VOLUME 2. ANY DEVIATIONS FROM REGULATIONS AND STANDARDS MUST BE REQUESTED, AND APPROVED, IN WRITING. ANY MODIFICATIONS NECESSARY TO MEET CRITERIA AFTER-THE-FACT WILL BE ENTIRELY THE DEVELOPER'S RESPONSIBILITY TO RECTIFY.
- IT IS THE DESIGN ENGINEER'S RESPONSIBILITY TO ACCURATELY SHOW EXISTING CONDITIONS, BOTH ONSITE AND OFFSITE, ON THE CONSTRUCTION PLANS. ANY MODIFICATIONS NECESSARY DUE TO CONFLICTS, OMISSIONS, OR CHANGED CONDITIONS WILL BE ENTIRELY THE DEVELOPER'S RESPONSIBILITY TO RECTIFY.
- CONTRACTOR SHALL SCHEDULE A PRE-CONSTRUCTION MEETING WITH EL PASO COUNTY PLANNING AND COMMUNITY DEVELOPMENT (PCD) - INSPECTIONS, PRIOR TO STARTING CONSTRUCTION.
- IT IS THE CONTRACTOR'S RESPONSIBILITY TO UNDERSTAND THE REQUIREMENTS OF ALL JURISDICTIONAL AGENCIES AND TO OBTAIN ALL REQUIRED PERMITS, INCLUDING BUT NOT LIMITED TO EL PASO COUNTY EROSION AND STORMWATER QUALITY CONTROL PERMIT (ESQCP), REGIONAL BUILDING FLOODPLAIN DEVELOPMENT PERMIT, U.S. ARMY CORPS OF ENGINEERS-ISSUED 401 AND/OR 404 PERMITS, AND COUNTY AND STATE FUGITIVE DUST PERMITS.
- CONTRACTOR SHALL NOT DEVIATE FROM THE PLANS WITHOUT FIRST OBTAINING WRITTEN APPROVAL FROM THE DESIGN ENGINEER AND PCD. CONTRACTOR SHALL NOTIFY THE DESIGN ENGINEER IMMEDIATELY UPON DISCOVERY OF ANY ERRORS OR INCONSISTENCIES.
- ALL STORM DRAIN PIPE SHALL BE CLASS III RCP WITH CLASS B BEDDING UNLESS OTHERWISE NOTED AND APPROVED BY PCD.
- CONTRACTOR SHALL COORDINATE GEOTECHNICAL TESTING PER ECM STANDARDS. PAVEMENT DESIGN SHALL BE APPROVED BY EL PASO COUNTY PCD PRIOR TO PLACEMENT OF CURB AND GUTTER AND PAVEMENT.
- ALL CONSTRUCTION TRAFFIC MUST ENTER/EXIT THE SITE AT APPROVED CONSTRUCTION ACCESS POINTS.
- SIGHT VISIBILITY TRIANGLES AS IDENTIFIED IN THE PLANS SHALL BE PROVIDED AT ALL INTERSECTIONS. OBSTRUCTIONS GREATER THAN 18 INCHES ABOVE FLOWLINE ARE NOT ALLOWED WITHIN SIGHT TRIANGLES.
- SIGNING AND STRIPING SHALL COMPLY WITH EL PASO COUNTY DPW (DEPT. OF PUBLIC WORKS) AND MUTCD CRITERIA.
- CONTRACTOR SHALL OBTAIN ANY PERMITS REQUIRED BY EL PASO COUNTY DPW, INCLUDING WORK WITHIN THE RIGHT-OF-WAY AND SPECIAL TRANSPORT PERMITS.
- THE LIMITS OF CONSTRUCTION SHALL REMAIN WITHIN THE PROPERTY LINE UNLESS OTHERWISE NOTED. THE OWNER/DEVELOPER SHALL OBTAIN WRITTEN PERMISSION AND EASEMENTS, WHERE REQUIRED, FROM ADJOINING PROPERTY OWNER(S) PRIOR TO ANY OFF-SITE DISTURBANCE, GRADING, OR CONSTRUCTION.

GENERAL DRAINAGE NOTES:

- INDIVIDUAL BUILDERS SHALL PROVIDE POSITIVE DRAINAGE AWAY FROM STRUCTURES AND ACCOUNT FOR POTENTIAL CROSS-LOT DRAINAGE IMPACTS WITHIN EACH LOT.
- BUILDERS AND PROPERTY OWNERS SHALL IMPLEMENT & MAINTAIN EROSION CONTROL BEST MANAGEMENT PRACTICES FOR PROTECTION OF DOWNSTREAM PROPERTIES AND FACILITIES INCLUDING PROTECTION OF EXISTING GRASS BUFFER STRIPS ALONG THE DOWNSTREAM PROPERTY BOUNDARIES.
- GRADING AND DRAINAGE WITHIN LOTS IS THE RESPONSIBILITY OF THE INDIVIDUAL BUILDERS AND PROPERTY OWNERS.

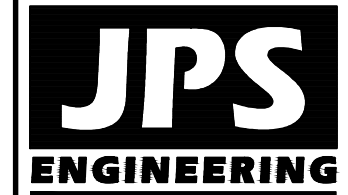
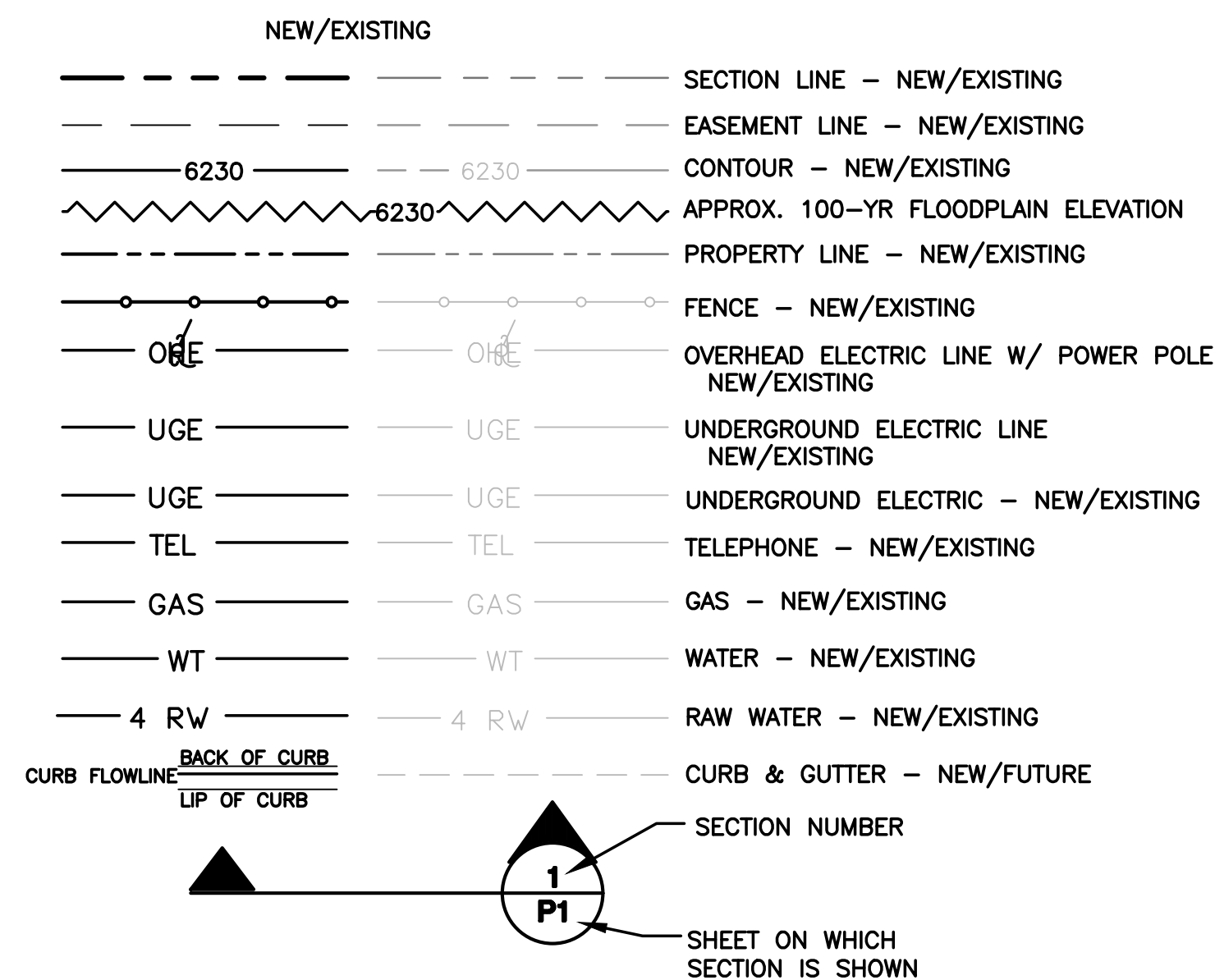
COUNTY SIGNING AND STRIPING NOTES:

- ALL SIGNS AND PAVEMENT MARKINGS SHALL BE IN COMPLIANCE WITH THE CURRENT MANUAL ON UNIFORM TRAFFIC CONTROL DEVICES (MUTCD).
- REMOVAL OF EXISTING PAVEMENT MARKINGS SHALL BE ACCOMPLISHED BY A METHOD THAT DOES NOT MATERIALLY DAMAGE THE PAVEMENT. THE PAVEMENT MARKINGS SHALL BE REMOVED TO THE EXTENT THAT THEY WILL NOT BE VISIBLE UNDER DAY OR NIGHT CONDITIONS. AT NO TIME WILL IT BE ACCEPTABLE TO PAINT OVER EXISTING PAVEMENT MARKINGS.
- ANY DEVIATION FROM THE STRIPING AND SIGNING PLAN SHALL BE APPROVED BY EL PASO COUNTY.
- ALL SIGNS SHOWN ON THE SIGNING AND STRIPING PLAN SHALL BE NEW SIGNS. EXISTING SIGNS MAY REMAIN OR BE REUSED IF THEY MEET CURRENT EL PASO COUNTY AND MUTCD STANDARDS.
- STREET NAME AND REGULATORY STOP SIGNS SHALL BE ON THE SAME POST AT INTERSECTIONS.
- ALL REMOVED SIGNS SHALL BE DISPOSED OF IN A PROPER MANNER BY THE CONTRACTOR.
- ALL STREET NAME SIGNS SHALL HAVE "D" SERIES LETTERS, WITH LOCAL ROADWAY SIGNS BEING 4" UPPER-LOWER CASE LETTERING ON 8" BLANK AND NON-LOCAL ROADWAY SIGNS BEING 6" LETTERING, UPPER-LOWER CASE ON 12" BLANK, WITH WHITE BORDER THAT IS NOT RECESSED. MULTI-LANE ROADWAYS WITH SPEED LIMITS OF 40 MPH OR HIGHER SHALL HAVE 8" UPPER-LOWER CASE LETTERING ON 18" BLANK WITH A WHITE BORDER THAT IS NOT RECESSED. THE WIDTH OF THE NON-RECESSED WHITE BORDERS SHALL MATCH PAGE 255 OF THE 2012 MUTCD "STANDARD HIGHWAY SIGNS".
- ALL TRAFFIC SIGNS SHALL HAVE A MINIMUM HIGH INTENSITY PRISMATIC GRADE SHEETING.
- ALL LOCAL RESIDENTIAL STREET SIGNS SHALL BE MOUNTED ON A 1.75" X 1.75" SQUARE TUBE SIGN POST AND STUB POST BASE. FOR OTHER APPLICATIONS, REFER TO THE CDOT STANDARD S-614-8 REGARDING USE OF THE P2 TUBULAR STEEL POST SLIPBASE DESIGN.
- ALL SIGNS SHALL BE SINGLE SHEET ALUMINUM WITH 0.100" MINIMUM THICKNESS.
- ALL LIMIT LINES/STOP LINES, CROSSWALK LINES, PAVEMENT LEGENDS, AND ARROWS SHALL BE A MINIMUM 125 MIL THICKNESS PREFORMED THERMOPLASTIC PAVEMENT MARKINGS WITH TAPERED LEADING EDGES PER CDOT STANDARD S-627-1. WORD AND SYMBOL MARKINGS SHALL BE THE NARROW TYPE. STOP BARS SHALL BE 24" IN WIDTH. CROSSWALKS LINES SHALL BE 12" WIDE AND 8' LONG PER CDOT S-627-1.
- ALL LONGITUDINAL LINES SHALL BE A MINIMUM 15MIL THICKNESS EPOXY PAINT. ALL NON-LOCAL RESIDENTIAL ROADWAYS SHALL INCLUDE BOTH RIGHT AND LEFT EDGE LINE STRIPING AND ANY ADDITIONAL STRIPING AS REQUIRED BY CDOT S-627-1.
- THE CONTRACTOR SHALL NOTIFY EL PASO COUNTY (719) 520-6819 PRIOR TO AND UPON COMPLETION OF SIGNING AND STRIPING.
- THE CONTRACTOR SHALL OBTAIN A WORK IN THE RIGHT OF WAY PERMIT FROM THE EL PASO COUNTY DEPARTMENT OF PUBLIC WORKS PRIOR TO ANY SIGNAGE OR STRIPING WORK WITHIN AN EXISTING EL PASO COUNTY ROADWAY.

PROJECT GENERAL NOTES:

- THE CONTRACTOR SHALL BE RESPONSIBLE FOR THE NOTIFICATION AND FIELD LOCATION OF ALL EXISTING UTILITIES, WHETHER SHOWN ON THE PLANS OR NOT, BEFORE BEGINNING CONSTRUCTION. LOCATION OF EXISTING UTILITIES SHALL BE VERIFIED BY THE CONTRACTOR PRIOR TO ACTUAL CONSTRUCTION.
- EXISTING CONTOUR DATA PROVIDED BY OWNER GENERALLY CONSISTS OF AERIAL MAPPING FROM UNITED PLANNING & ENGINEERING. JPS ENGINEERING TAKES NO RESPONSIBILITY FOR THE ACCURACY OF EXISTING TOPOGRAPHIC MAPPING.
- THE CONTRACTOR SHALL HAVE ONE (1) SIGNED COPY OF THESE APPROVED PLANS AND ONE (1) COPY OF THE APPROPRIATE DESIGN AND CONSTRUCTION STANDARDS AND SPECIFICATIONS AT THE JOB SITE AT ALL TIMES:
 - EL PASO COUNTY ENGINEERING CRITERIA MANUAL
 - CDOT STANDARD SPECIFICATIONS FOR ROAD & BRIDGE CONSTRUCTION
 - WOODMEN HILLS METROPOLITAN DISTRICT STANDARDS SPECIFICATIONS
- STORM DRAIN PIPE SHALL BE RCP CLASS III WITH CLASS C BEDDING UNLESS OTHERWISE NOTED. PROVIDE WATER-TIGHT JOINTS ON STORM SEWER PIPE.
- STATIONING IS AT CENTERLINE UNLESS OTHERWISE NOTED. ALL ELEVATIONS ARE AT FLOWLINE UNLESS OTHERWISE NOTED. ALL DIMENSIONS ARE FROM FACE OF CURB UNLESS OTHERWISE NOTED.
- PROPOSED CONTOURS SHOWN ARE TO FINISHED GRADE.
- LENGTHS SHOWN FOR STORM SEWER PIPES ARE TO CENTER OF MANHOLE.
- CONTRACTOR SHALL REMOVE AND DISPOSE OF ALL EXISTING STRUCTURES, DEBRIS, WASTE AND OTHER UNSUITABLE FILL MATERIAL FOUND WITHIN THE LIMITS OF EXCAVATION.
- MATCH INTO EXISTING GRADES AT 3:1 MAX CUT AND FILL SLOPES.
- REVEGETATION OF ALL DISTURBED AREAS SHALL BE DONE WITH SPECIFIED SEED MIX WITHIN 30 DAYS AFTER FINE GRADING IS COMPLETE.
- EROSION CONTROL SHALL CONSIST OF SILT FENCE AND OTHER BMP'S AS SHOWN ON THE DRAWINGS, AND TOPSOIL WITH GRASS SEED, WHICH WILL BE WATERED UNTIL VEGETATION HAS BEEN REESTABLISHED.
- THE EROSION CONTROL MEASURES OUTLINED ON THIS PLAN ARE THE RESPONSIBILITY OF THE DEVELOPER TO MONITOR AND REPLACE, REGRADE, AND REBUILD AS NECESSARY UNTIL VEGETATION IS REESTABLISHED.
- EROSION CONTROL MEASURES SHALL BE IMPLEMENTED IN A MANNER THAT WILL PROTECT ADJACENT PROPERTIES AND PUBLIC FACILITIES FROM THE ADVERSE EFFECTS OF EROSION AND SEDIMENTATION AS A RESULT OF CONSTRUCTION AND EARTHWORK ACTIVITIES WITHIN THE PROJECT SITE.
- ADDITIONAL EROSION CONTROL MEASURES MAY BE REQUIRED AS DETERMINED BY SITE CONDITIONS.
- THE CONTRACTOR WILL TAKE THE NECESSARY PRECAUTIONS TO PROTECT EXISTING UTILITIES FROM DAMAGE DUE TO THIS OPERATION. ANY DAMAGE TO THE UTILITIES WILL BE REPAIRED AT THE CONTRACTOR'S EXPENSE, AND ANY SERVICE DISRUPTION WILL BE SETTLED BY THE CONTRACTOR
- PEDESTRIAN RAMPS SHALL BE INSTALLED AT ALL INTERSECTIONS AND CONFORM TO COUNTY ENGINEERING STANDARDS AND SPECIFICATIONS.
- ALL FINISHED GRADES SHALL HAVE A MINIMUM 0.5% SLOPE TO PROVIDE POSITIVE DRAINAGE.
- WHERE PROPOSED SLOPES CONFLICT WITH PROPOSED SPOT ELEVATIONS, SPOT ELEVATIONS SHALL GOVERN.
- CONTRACTOR SHALL OBTAIN ALL REQUIRED PERMITS PRIOR TO BEGINNING WORK.
- ALL RESIDENTIAL STREET CURB RETURN RADII ARE 20- FEET AT FLOWLINE UNLESS OTHERWISE NOTED. ARTERIAL STREET CURB RETURN RADII ARE 35' UNLESS NOTED OTHERWISE.
- 25-FOOT SIGHT VISIBILITY TRIANGLES SHALL BE PROVIDED AT ALL RESIDENTIAL STREET INTERSECTIONS. 50-FOOT SIGHT TRIANGLES SHALL BE PROVIDED AT ARTERIAL STREET INTERSECTIONS. NO OBSTRUCTIONS TALLER THAN 18" ARE PERMITTED WITHIN THESE TRIANGLES.
- CONTRACTOR SHALL SCHEDULE A PRE-CONSTRUCTION MEETING WITH EL PASO COUNTY AND ALL UTILITIES INVOLVED IN PROJECT PRIOR TO MOBILIZING ON SITE.
- TYPE C STORM INLETS SHALL HAVE CLOSE-MESH GRATES.
- PROVIDE 10' TRANSITION FROM RAMP CURB TO VERTICAL CURB ON EACH SIDE OF STORM INLETS.
- ALL BACKFILL, SUB-BASE, AND/OR BASE COURSE MATERIAL SHALL BE COMPACTED PER EL PASO COUNTY AND CDOT STANDARDS AND SPECIFICATIONS AND PROJECT GEOTECHNICAL REPORT. CONTRACTOR SHALL STABILIZE ALL SUBGRADE AREAS PER GEOTECHNICAL ENGINEER'S RECOMMENDATIONS.

LEGEND:



19 E. Willamette Ave.
Colorado Springs, CO
80903
PH: 719-477-9429
FAX: 719-471-0766
www.jpsenr.com



CALL UTILITY NOTIFICATION CENTER OF COLORADO
1-800-922-1987
CALL BEFORE YOU DIG, GRADE, OR EXCAVATE FOR THE MARKING OF UNDERGROUND MEMBER UTILITIES.

DeYOUNG SUBDIVISION

GENERAL NOTES

HORIZ. SCALE:	N/A	DRAWN:	BJJ
VERT. SCALE:	N/A	DESIGNED:	JPS
SURVEYED:	RIDGELINE	CHECKED:	JPS
CREATED:	4/14/20	LAST MODIFIED:	11/05/21
PROJECT NO:	031901	MODIFIED BY:	BJJ

SHEET: **G2**

**PARCEL
#53010-00-023
CHALLENGER
COMMUNITIES, LLC
14.3 AC.**

NOTES:
1. NO ASPHALT/CONCRETE BATCH PLANT SHALL BE UTILIZED DURING THIS PROJECT
2. EXISTING VEGETATION CONSISTS OF NATIVE GRASSES COVERING APPROX. 50% OF SITE

KEYED NOTES:

- 1 TOPSOIL STRIPPING / STOCKPILE AREA
- 2 ASPHALT PAVEMENT PER GEOTECHNICAL REPORT (MIN. 4"HPB)
- 3 PREPARE & COMPACT BUILDING FOUNDATION, SLABS, & PAVEMENT PER PROJECT GEOTECHNICAL REPORT
- 4 CONTRACTOR MAY WASTE EXCESS CUT OR BORROW SUITABLE FILL MATERIAL FROM THIS AREA, MAINTAIN POSITIVE DRAINAGE & MATCH INTO EXISTING GRADES W/ 3:1 MAX. SLOPES
- 5 CRUSHED ASPHALT PAVEMENT

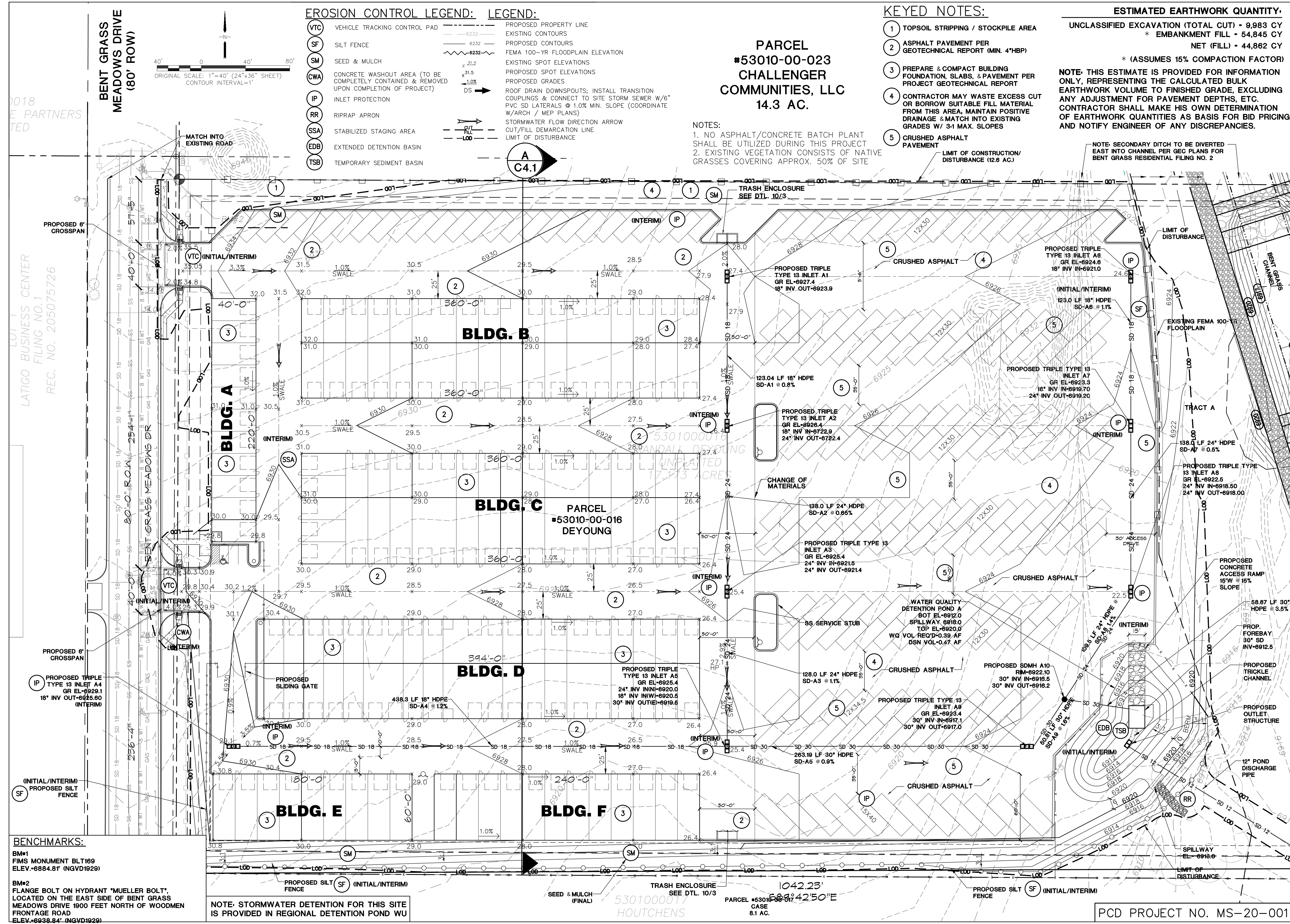
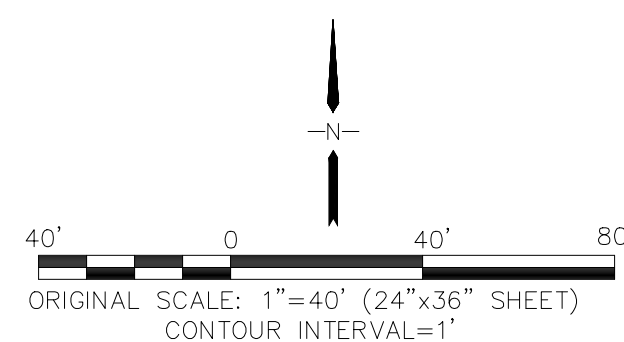
ESTIMATED EARTHWORK QUANTITY:

UNCLASSIFIED EXCAVATION (TOTAL CUT) - 9,983 CY
* EMBANKMENT FILL - 54,845 CY
NET (FILL) - 44,862 CY
* (ASSUMES 15% COMPACTION FACTOR)

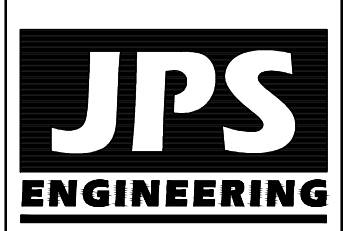
NOTE: THIS ESTIMATE IS PROVIDED FOR INFORMATION ONLY, REPRESENTING THE CALCULATED BULK EARTHWORK VOLUME TO FINISHED GRADE, EXCLUDING ANY ADJUSTMENT FOR PAVEMENT DEPTHS, ETC. CONTRACTOR SHALL MAKE HIS OWN DETERMINATION OF EARTHWORK QUANTITIES AS BASIS FOR BID PRICING AND NOTIFY ENGINEER OF ANY DISCREPANCIES.

EROSION CONTROL LEGEND: LEGEND:

- | | | | |
|-------|---|-----|--|
| (VTC) | VEHICLE TRACKING CONTROL PAD | --- | PROPOSED PROPERTY LINE |
| (SF) | SILT FENCE | --- | EXISTING CONTOURS |
| (SM) | SEED & MULCH | --- | PROPOSED CONTOURS |
| (CWA) | CONCRETE WASHOUT AREA (TO BE COMPLETELY CONTAINED & REMOVED UPON COMPLETION OF PROJECT) | --- | FEMA 100-YR FLOODPLAIN ELEVATION |
| (IP) | INLET PROTECTION | --- | EXISTING SPOT ELEVATIONS |
| (RR) | RIPRAP APRON | --- | PROPOSED SPOT ELEVATIONS |
| (SSA) | STABILIZED STAGING AREA | --- | PROPOSED GRADES |
| (EDB) | EXTENDED DETENTION BASIN | --- | ROOF DRAIN DOWNSPOUTS; INSTALL TRANSITION COUPLINGS & CONNECT TO SITE STORM SEWER W/6" PVC SD LATERALS @ 1.0% MIN. SLOPE (COORDINATE W/ARCH / MEP PLANS) |
| (TSB) | TEMPORARY SEDIMENT BASIN | --- | STORMWATER FLOW DIRECTION ARROW |
| | | --- | CUT/FILL DEMARCATION LINE |
| | | --- | LIMIT OF DISTURBANCE |



DEYOUNG SUBDIVISION



19 E. Willamette Ave.
Colorado Springs, CO 80903
PH: 719-477-9429
FAX: 719-471-0766
www.jpsengr.com



CALL UTILITY NOTIFICATION CENTER OF COLORADO
1-800-922-1987
CALL 2-BUSINESS DAYS IN ADVANCE BEFORE YOU DIG, GRADE, OR EXCAVATE FOR THE MEMBER UTILITIES.

NO.	REVISION	DATE
1	EPC SUBMITTAL	JPS 6/26/20
2	EPC COMMENTS	JPS 9/15/20
3	UPDATED SITE LAYOUT	JPS 04/19/22

PHASE 1 - SITE GRADING & EROSION CONTROL PLAN

HORIZ. SCALE: 1"=40'	DRAWN: BJJ
VERT. SCALE: N/A	DESIGNED: JPS
SURVEYED: RIDGELINE	CHECKED: JPS
CREATED: 10/11/19	LAST MODIFIED: 04/19/22
PROJECT NO: 031901	MODIFIED BY: PV

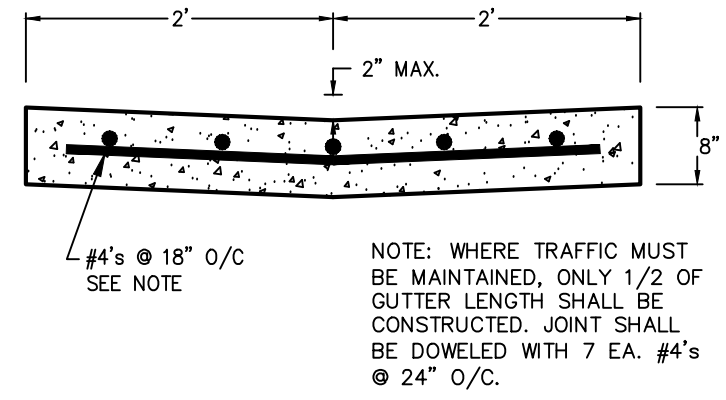
SHEET: **C1.1**

PCD PROJECT NO. MS-20-001

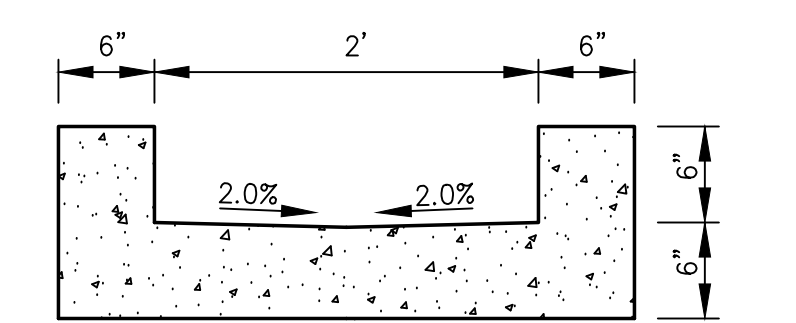
BENCHMARKS:
BM#1
FIMS MONUMENT BLT169
ELEV.-6884.81' (NGVD1929)
BM#2
FLANGE BOLT ON HYDRANT 'MUELLER BOLT'.
LOCATED ON THE EAST SIDE OF BENT GRASS MEADOWS DRIVE 1900 FEET NORTH OF WOODMEN FRONTAGE ROAD
ELEV.-6938.84' (NGVD1929)

NOTE: STORMWATER DETENTION FOR THIS SITE IS PROVIDED IN REGIONAL DETENTION POND WU

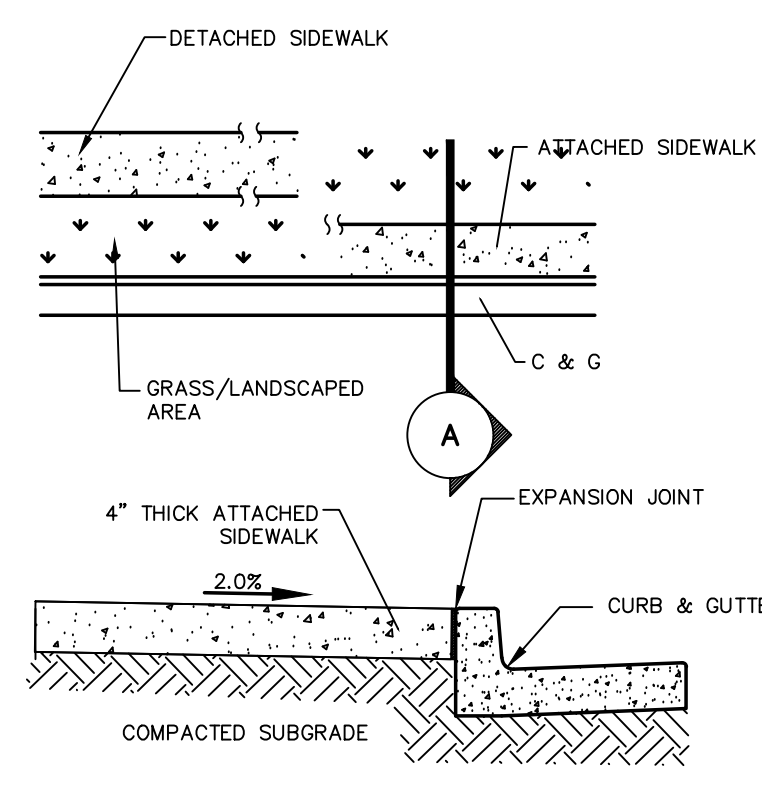
TRASH ENCLOSURE SEE DTL. 10/3
1042.23'
PARCEL #53010-00-017
CASE 8.1 AC.



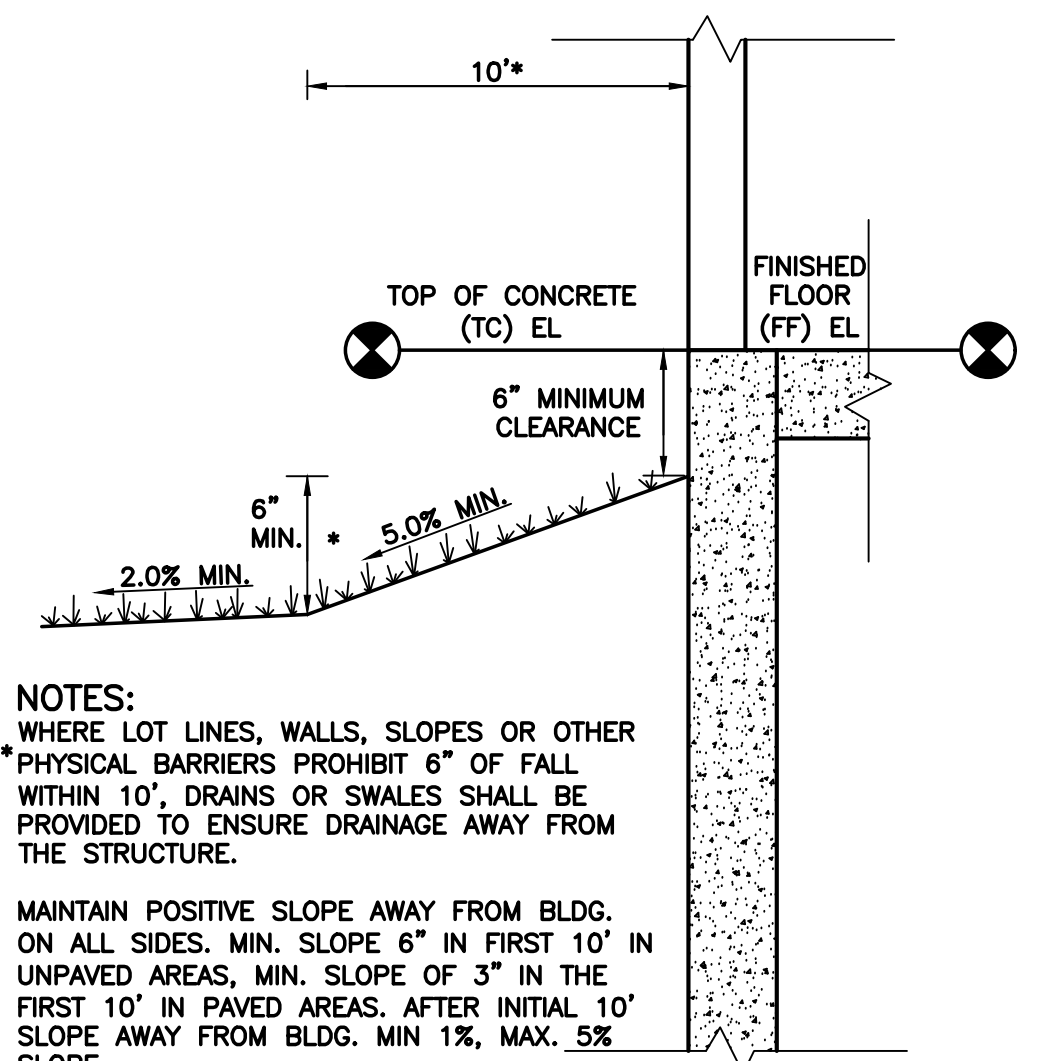
TYPICAL CONCRETE CROSSPAN (A)
SCALE: 1" = 1'-0"



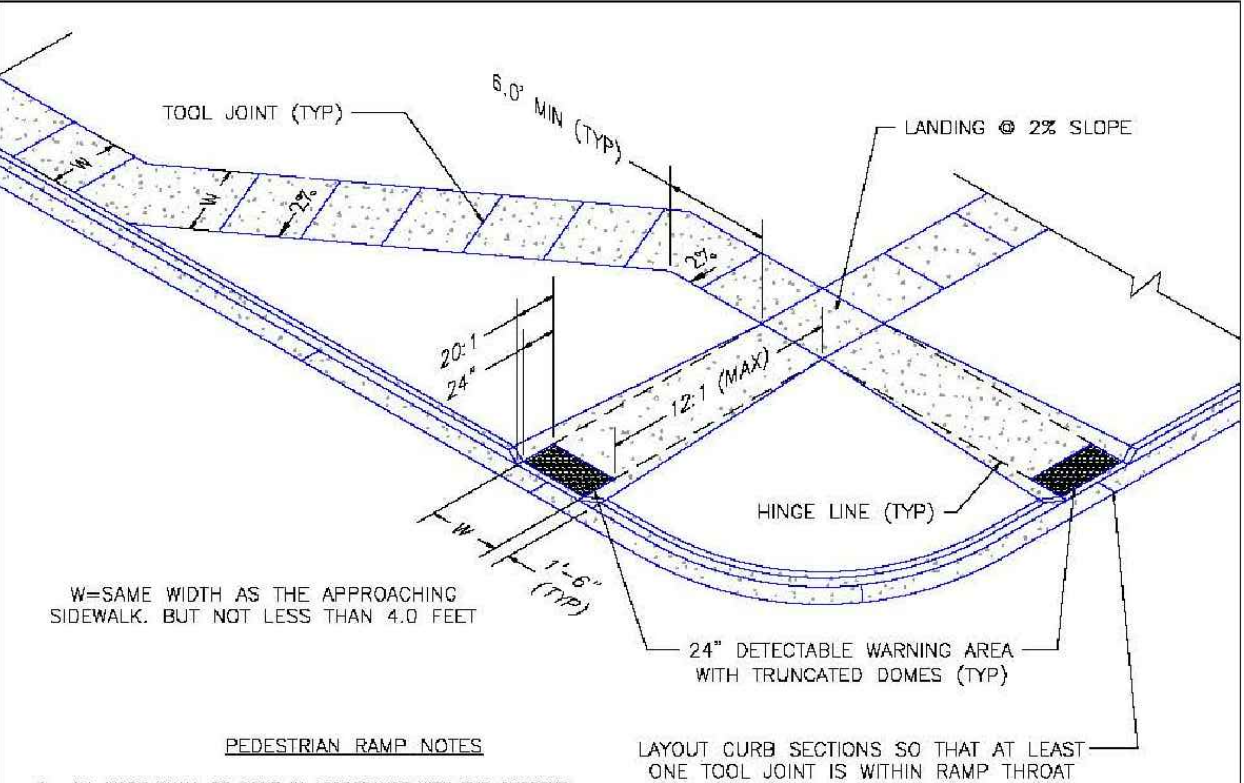
CURB CHASE SECTION (C)
SCALE: 1" = 1' H&V



CONCRETE SIDEWALK DETAIL (B)
N.T.S.



TYPICAL BUILDING DRAINAGE DETAIL (D)
SCALE: N.T.S.



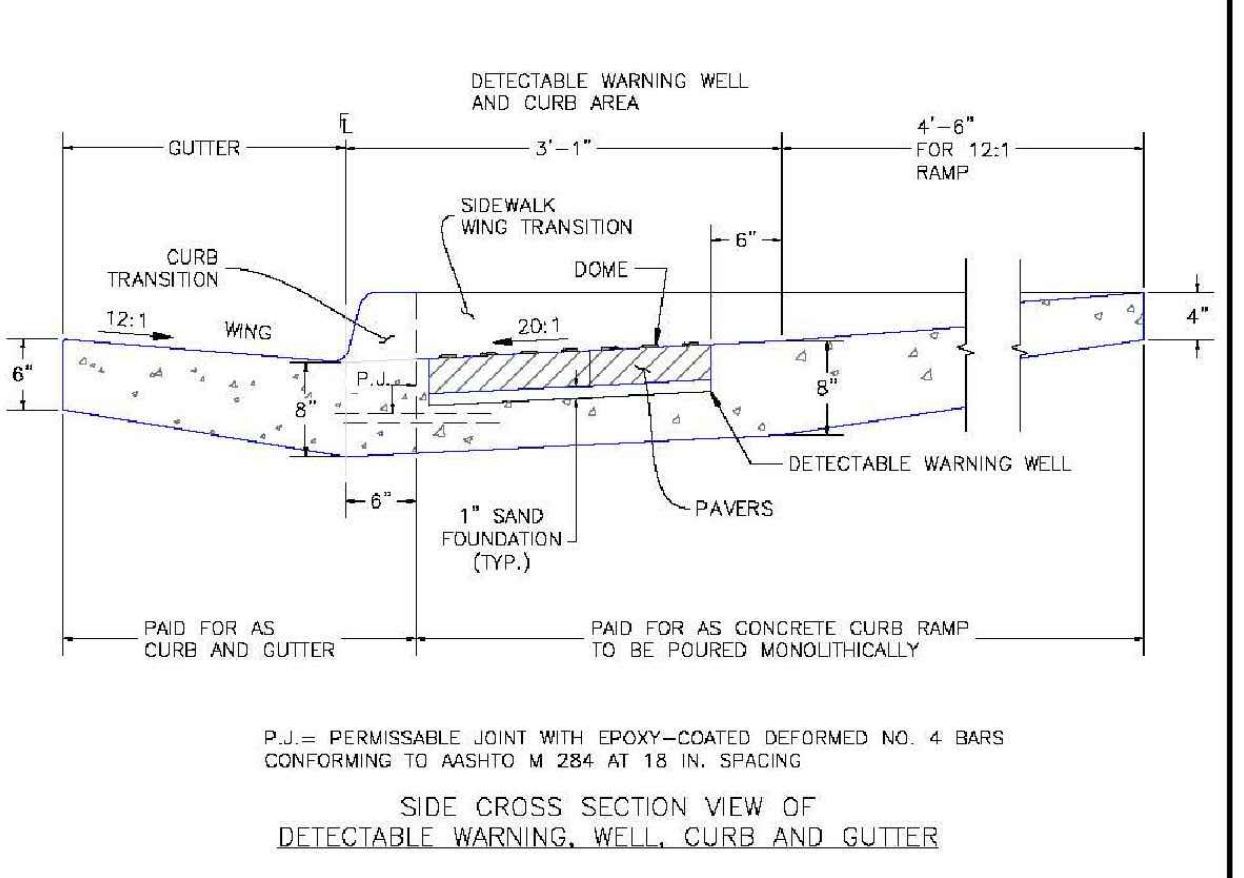
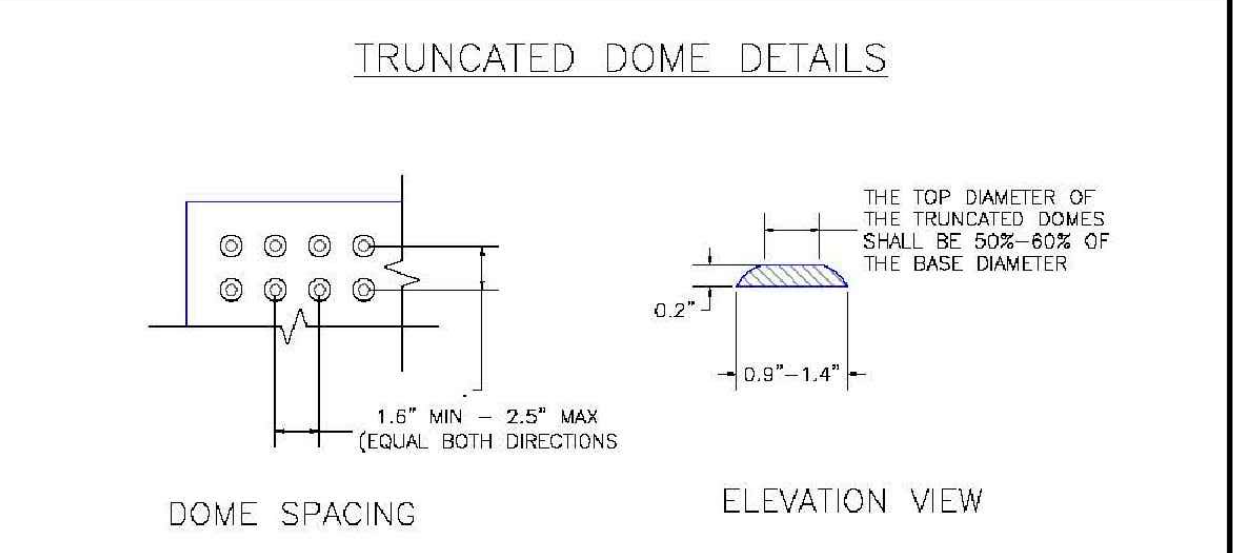
PEDESTRIAN RAMP NOTES

- ALL WORK SHALL BE DONE IN ACCORDANCE WITH THE CURRENT ENGINEERING CRITERIA MANUAL AND ALL REQUIREMENTS.
- CONTRACTOR TO NOTIFY ENGINEERING DIVISION INSPECTION STAFF 48 HOURS PRIOR TO CONCRETE PLACEMENT.
- PEDESTRIAN RAMP CONSTRUCTION SHALL BE A MINIMUM 4,500 PSI CONCRETE, MINIMUM 4" THICK, NON-COLORED, NON-SKID, CONCRETE BRUSH FINISH.
- RAMP LOCATION AND LENGTH MAY REQUIRE MODIFICATION TO MAINTAIN THE 12:1 MAXIMUM SLOPING RAMP SLOPE AND 20' DETECTABLE WARNING AREA DUE TO STREET INTERSECTION CORNERS AND/OR ALIGNMENTS.
- DETECTABLE WARNING AREA SHALL START A MINIMUM OF 6" BUT NOT MORE THAN 8" FROM THE FLOWLINE OF THE CURB AT ANY POINT.
- DETECTABLE WARNING AREA SHALL BE UNREFINISHED, REDDISH INTERNALLY COLORED, TRUNCATED-DOME, PAVERS, THERMOPLASTIC TRUNCATED DOMES WILL NOT BE ACCEPTED.
- THE DETECTABLE WARNING AREA SHALL BE 24" IN LENGTH AND THE FULL WIDTH OF THE RAMP.
- RAMP WIDTH REQUIRED IS SAME AS APPROACHING SIDEWALK 4" MINIMUM.
- ALL RAMP'S WILL BE PERPENDICULAR TO TRAFFIC WITH THE EXCEPTION OF MID-BLOCK OR TERMINAL RAMP'S WHICH MAY BE PARALLEL SUBJECT TO APPROVAL.
- AVOID PLACING DRAINAGE STRUCTURES, TRAFFIC SIGNS/SIGNALS, UTILITIES/AUTION BARRS, OR OTHER OBSTRUCTIONS WITHIN PROPOSED RAMP AREAS.

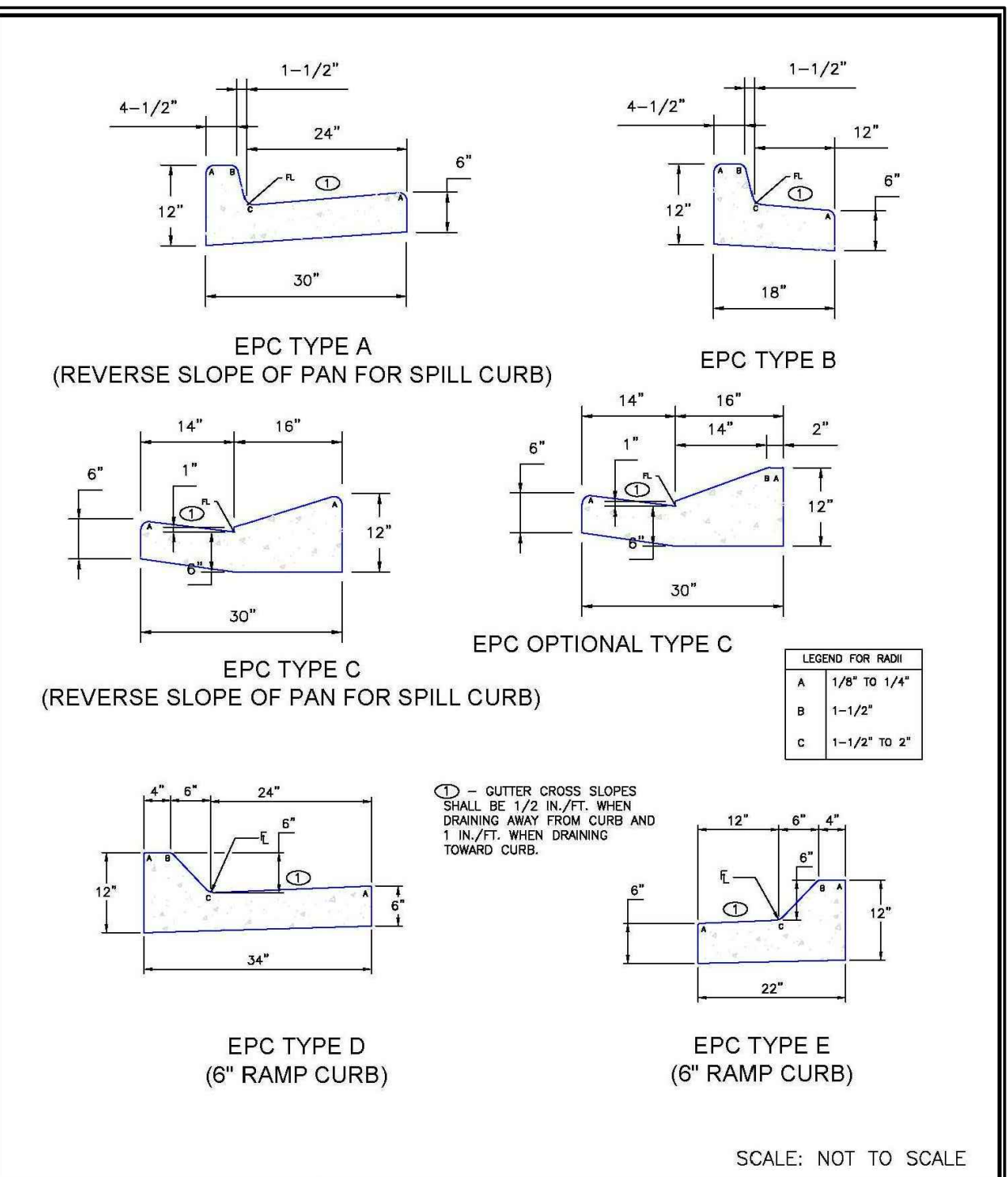
GENERAL NOTES

- WHERE THE 1'-8" FLARED SIDING OF A PERPENDICULAR CURB RAMP IS (AND) CONTIGUOUS WITH A PEDESTRIAN OR HARD SURFACE AREA, THE MAXIMUM FLARE SLOPE SHALL NOT EXCEED 10:1.
- PEDESTRIAN WALKWAY AND/OR LOCATION OF EXISTING OR FUTURE PEDESTRIAN RAMP'S ON OPPOSITE CORNERS SHALL BE REVIEWED BEFORE CONSTRUCTING NEW RAMP'S.
- AT MARKED PEDESTRIAN CROSSINGS, THE BOTTOM OF THE RAMP'S, EXCLUDING OF THE FLARE SIDING, SHALL BE TOTALLY CONTAINED WITHIN THE MARKINGS.

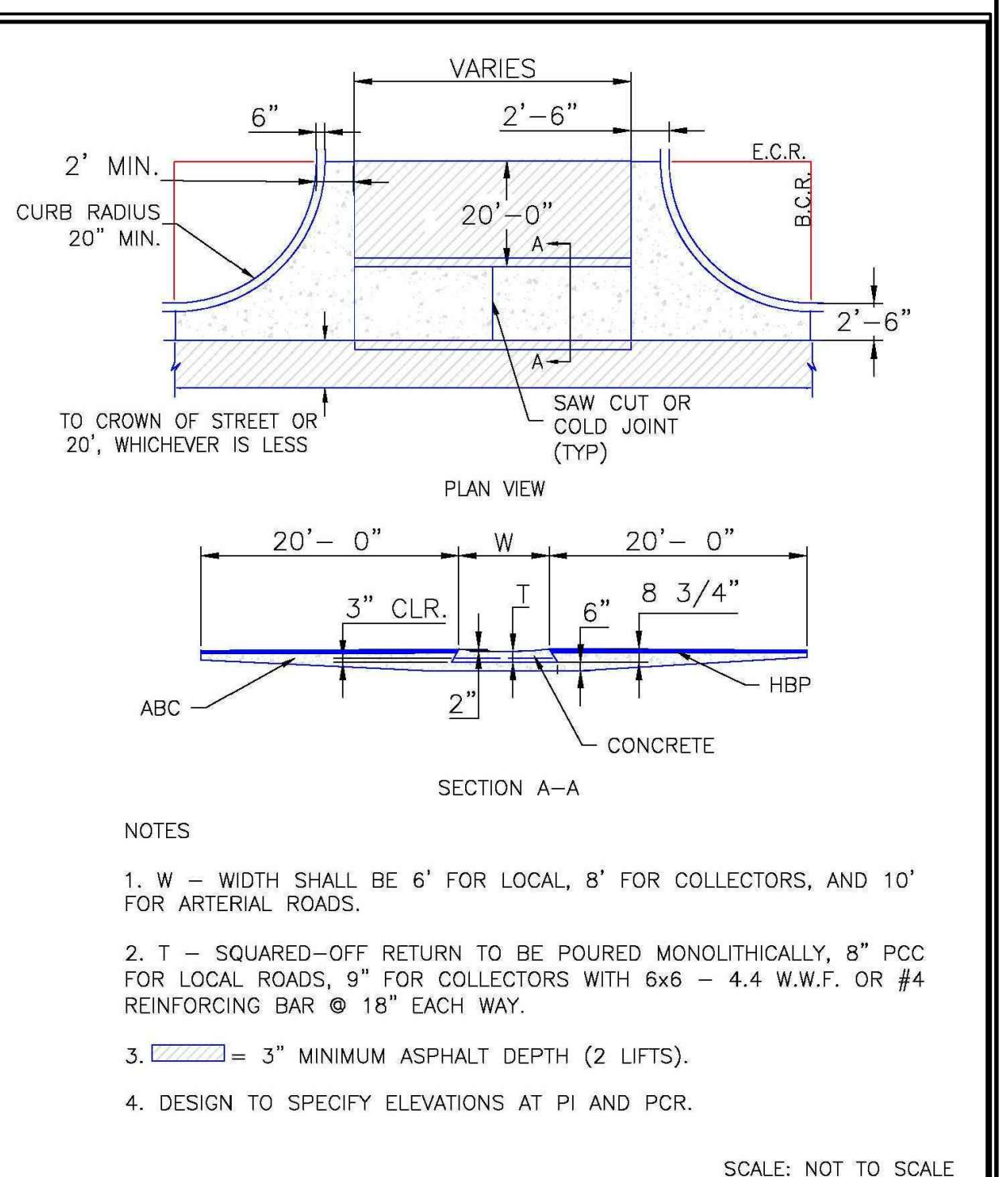
DATE APPROVED: 7/9/09	DESIGNED BY: André P. Brackin	REVISION DATE: 12/8/15	FILE NAME: SD_2-41



DATE APPROVED: 1/1/08	DESIGNED BY: John A. McCarty	REVISION DATE: 11/25/15	FILE NAME: SD_2-42



DATE APPROVED: 8/11/11	DESIGNED BY: André P. Brackin	REVISION DATE: 12/8/15	FILE NAME: SD_2-20



DATE APPROVED: 8/11/11	DESIGNED BY: André P. Brackin	REVISION DATE: 12/8/15	FILE NAME: SD_2-26

GENERAL CIVIL NOTES:

- All construction shall conform to the following standards & specifications:
 - 2015 International Building Code
 - Pikes Peak Regional Building Code, latest edition
 - El Paso County Engineering Criteria Manual (ECM), latest edition
 - Project Geotechnical Report
- The contractor shall be responsible for the notification and field location of all existing utilities, whether shown on the plans or not, before beginning construction. Location of existing utilities shall be verified by the contractor prior to actual construction.
- The contractor shall have one (1) signed copy of these approved plans and one (1) copy of the appropriate design and construction standards and specifications at the job site at all times:
 - El Paso County Engineering Criteria Manual.
- Storm drain pipe shall be rcp class iii with class c bedding unless otherwise noted.
- Stationing is at centerline unless otherwise noted. All elevations are at flowline unless otherwise noted. All dimensions are from face of curb unless otherwise noted. Lengths shown for storm sewer pipes are to center of manhole.
- Contractor shall coordinate with gas, electric, telephone and cable t.v. Utility suppliers for installation of all utilities. Minimum cover for all dry utilities shall be 36".
- Contractor shall remove and dispose of all existing structures, debris, waste and other unsuitable fill material found within the limits of excavation.
- Match into existing grades at 3:1 max cut and fill slopes.
- Revegetation of all disturbed areas shall be done with 4" topsoil and dry land grass seed after fine grading is complete ("foothills seed mix").
- Erosion control shall consist of silt fence and hay bales as shown on the drawing, and topsoil with grass seed, which will be watered until vegetation has been re-established.
- The erosion control measures outlined on this plan are the responsibility of the contractor to monitor and replace, regrade, and rebuild as necessary until vegetation is re-established.
- Contractor shall implement best management practices in a manner that will protect adjacent properties and public facilities from the adverse effects of erosion and sedimentation as a result of construction and earthwork activities within the project site.
- Additional erosion control measures may be required as determined by site conditions.
- The contractor will take the necessary precautions to protect existing utilities from damage due to this operation. Any damage to the utilities will be repaired at the contractor's expense, and any service disruption will be settled by the contractor.
- All backfill, sub-base, and/or base course material shall be compacted per the project geotechnical report and County specifications.
- Concrete used in curb and gutter, sidewalk, and crosspan construction shall meet County criteria.
- All finished grades shall have a minimum 1.0% slope to provide positive drainage.
- Contractor shall obtain all required permits prior to beginning work.

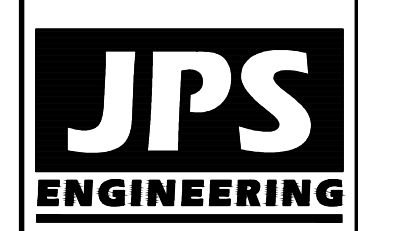
DeYOUNG SUBDIVISION

CIVIL NOTES & DETAILS

HORZ. SCALE: N/A	DRAWN: BJJ
VERT. SCALE: N/A	DESIGNED: JPS
SURVEYED: RIDGELINE	CHECKED: JPS
CREATED: 4/15/20	LAST MODIFIED: 11/03/21
PROJECT NO: 031901	MODIFIED BY: BJJ
SHEET:	

C2.1

PCD PROJECT NO. MS-20-001



19 E. Willamette Ave.
Colorado Springs, CO
80903
PH: 719-477-9429
FAX: 719-471-0766
www.jpsengr.com



CALL UTILITY NOTIFICATION CENTER OF COLORADO
1-800-922-1987
CALL OR VISIT US AT 11/03/21 BEFORE YOU DIG, GRADE, OR EXCAVATE FOR THE MARKING OF UNDERGROUND MEMBER UTILITIES.

No.	REVISION	DATE	BY
1	EPC SUBMITTAL	4/20/20	JPS
2	EPC COMMENTS	11/03/21	JPS

C:\Users\Owner\Desktop\p3proj\031901\hammers-marcove\dwg\civil\C2.1.dwg Nov 03, 2021 9:03am

STANDARD NOTES FOR EL PASO COUNTY GRADING AND EROSION CONTROL PLANS:

REVISED 7/02/19

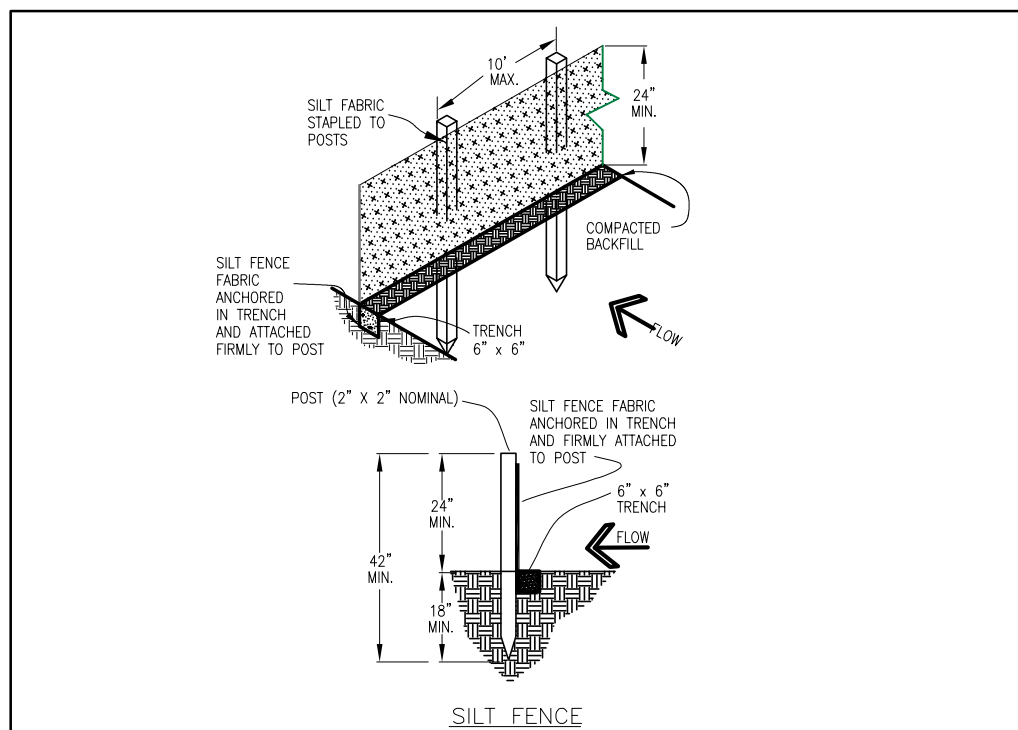
- STORMWATER DISCHARGES FROM CONSTRUCTION SITES SHALL NOT CAUSE OR THREATEN TO CAUSE POLLUTION, CONTAMINATION, OR DEGRADATION OF STATE WATERS. ALL WORK AND EARTH DISTURBANCE SHALL BE DONE IN A MANNER THAT MINIMIZES POLLUTION OF ANY ON-SITE OR OFF-SITE WATERS, INCLUDING WETLANDS.
- NOTWITHSTANDING ANYTHING DEPICTED IN THESE PLANS IN WORDS OR GRAPHIC REPRESENTATION, ALL DESIGN AND CONSTRUCTION RELATED TO ROADS, STORM DRAINAGE AND EROSION CONTROL SHALL CONFORM TO THE STANDARDS AND REQUIREMENTS OF THE MOST RECENT VERSION OF THE RELEVANT ADOPTED EL PASO COUNTY STANDARDS, INCLUDING THE LAND DEVELOPMENT CODE, THE ENGINEERING CRITERIA MANUAL, THE DRAINAGE CRITERIA MANUAL, AND THE DRAINAGE CRITERIA MANUAL VOLUME 2. ANY DEVIATIONS FROM REGULATIONS AND STANDARDS MUST BE REQUESTED, AND APPROVED, IN WRITING.
- A SEPARATE STORMWATER MANAGEMENT PLAN (SMWP) FOR THIS PROJECT SHALL BE COMPLETED AND AN EROSION AND STORMWATER QUALITY CONTROL PERMIT (ESQCP) ISSUED PRIOR TO COMMENCING CONSTRUCTION. MANAGEMENT OF THE SWMP DURING CONSTRUCTION IS THE RESPONSIBILITY OF THE DESIGNATED QUALIFIED STORMWATER MANAGER OR CERTIFIED EROSION CONTROL INSPECTOR. THE SWMP SHALL BE LOCATED ON SITE AT ALL TIMES DURING CONSTRUCTION AND SHALL BE KEPT UP TO DATE WITH WORK PROGRESS AND CHANGES IN THE FIELD.
- ONCE THE ESQCP IS APPROVED AND A "NOTICE TO PROCEED" HAS BEEN ISSUED, THE CONTRACTOR MAY INSTALL THE INITIAL STAGE EROSION AND SEDIMENT CONTROL MEASURES AS INDICATED ON THE APPROVED GEC. A PRECONSTRUCTION MEETING BETWEEN THE CONTRACTOR, ENGINEER, AND EL PASO COUNTY WILL BE HELD PRIOR TO ANY CONSTRUCTION. IT IS THE RESPONSIBILITY OF THE APPLICANT TO COORDINATE THE MEETING TIME AND PLACE WITH COUNTY STAFF.
- CONTROL MEASURES MUST BE INSTALLED PRIOR TO COMMENCEMENT OF ACTIVITIES THAT COULD CONTRIBUTE POLLUTANTS TO STORMWATER. CONTROL MEASURES FOR ALL SLOPES, CHANNELS, DITCHES, AND DISTURBED LAND AREAS SHALL BE INSTALLED IMMEDIATELY UPON COMPLETION OF THE DISTURBANCE.
- ALL TEMPORARY SEDIMENT AND EROSION CONTROL MEASURES SHALL BE MAINTAINED AND REMAIN IN EFFECTIVE OPERATING CONDITION UNTIL PERMANENT SOIL EROSION CONTROL MEASURES ARE IMPLEMENTED AND FINAL STABILIZATION IS ESTABLISHED. ALL PERSONS ENGAGED IN LAND DISTURBANCE ACTIVITIES SHALL ASSESS THE ADEQUACY OF CONTROL MEASURES AT THE SITE AND IDENTIFY IF CHANGES TO THOSE CONTROL MEASURES ARE NEEDED TO ENSURE THE CONTINUED EFFECTIVE PERFORMANCE OF THE CONTROL MEASURES. ALL CHANGES TO TEMPORARY SEDIMENT AND EROSION CONTROL MEASURES MUST BE INCORPORATED INTO THE STORMWATER MANAGEMENT PLAN.
- TEMPORARY STABILIZATION SHALL BE IMPLEMENTED ON DISTURBED AREAS AND STOCKPILES WHERE GROUND DISTURBING CONSTRUCTION ACTIVITY HAS PERMANENTLY CEASED OR TEMPORARILY CEASED FOR LONGER THAN 14 DAYS.
- FINAL STABILIZATION MUST BE IMPLEMENTED AT ALL APPLICABLE CONSTRUCTION SITES. FINAL STABILIZATION IS ACHIEVED WHEN ALL GROUND DISTURBING ACTIVITIES ARE COMPLETE AND ALL DISTURBED AREAS EITHER HAVE A UNIFORM VEGETATIVE COVER WITH INDIVIDUAL PLANT DENSITY OF 70 PERCENT OF PRE-DISTURBANCE LEVELS ESTABLISHED OR EQUIVALENT PERMANENT ALTERNATIVE STABILIZATION METHOD IS IMPLEMENTED. ALL TEMPORARY SEDIMENT AND EROSION CONTROL MEASURES SHALL BE REMOVED UPON FINAL STABILIZATION AND BEFORE PERMIT CLOSURE.
- ALL PERMANENT STORMWATER MANAGEMENT FACILITIES SHALL BE INSTALLED AS DESIGNED IN THE APPROVED PLANS. ANY PROPOSED CHANGES THAT AFFECT THE DESIGN OR FUNCTION OF PERMANENT STORMWATER MANAGEMENT STRUCTURES MUST BE APPROVED BY THE ECM ADMINISTRATOR PRIOR TO IMPLEMENTATION.
- EARTH DISTURBANCES SHALL BE CONDUCTED IN SUCH A MANNER SO AS TO EFFECTIVELY MINIMIZE ACCELERATED SOIL EROSION AND RESULTING SEDIMENTATION. ALL DISTURBANCES SHALL BE DESIGNED, CONSTRUCTED, AND COMPLETED SO THAT THE EXPOSED AREA OF ANY DISTURBED LAND SHALL BE LIMITED TO THE SHORTEST PRACTICAL PERIOD OF TIME. PRE-EXISTING VEGETATION SHALL BE PROTECTED AND MAINTAINED WITHIN 50 HORIZONTAL FEET OF A WATERS OF THE STATE UNLESS SHOWN TO BE INFEASIBLE AND SPECIFICALLY REQUESTED AND APPROVED.

- COMPACTION OF SOIL MUST BE PREVENTED IN AREAS DESIGNATED FOR INFILTRATION CONTROL MEASURES OR WHERE FINAL STABILIZATION WILL BE ACHIEVED BY VEGETATIVE COVER. AREAS DESIGNATED FOR INFILTRATION CONTROL MEASURES SHALL ALSO BE PROTECTED FROM SEDIMENTATION DURING CONSTRUCTION UNTIL FINAL STABILIZATION IS ACHIEVED. IF COMPACTION PREVENTION IS NOT FEASIBLE DUE TO SITE CONSTRAINTS, ALL AREAS DESIGNATED FOR INFILTRATION AND VEGETATION CONTROL MEASURES MUST BE LOOSENEED PRIOR TO INSTALLATION OF THE CONTROL MEASURE(S).
- ANY TEMPORARY OR PERMANENT FACILITY DESIGNED AND CONSTRUCTED FOR THE CONVEYANCE OF STORMWATER AROUND, THROUGH, OR FROM THE EARTH DISTURBANCE AREA SHALL BE A STABILIZED CONVEYANCE DESIGNED TO MINIMIZE EROSION AND THE DISCHARGE OF SEDIMENT OFF SITE.
- CONCRETE WASH WATER SHALL BE CONTAINED AND DISPOSED OF IN ACCORDANCE WITH THE SWMP. NO WASH WATER SHALL BE DISCHARGED TO OR ALLOWED TO ENTER STATE WATERS, INCLUDING ANY SURFACE OR SUBSURFACE STORM DRAINAGE SYSTEM OR FACILITIES. CONCRETE WASHOUTS SHALL NOT BE LOCATED IN AN AREA WHERE SHALLOW GROUNDWATER MAY BE PRESENT, OR WITHIN 50 FEET OF A SURFACE WATER BODY, CREEK OR STREAM.
- DURING DEWATERING OPERATIONS OF UNCONTAMINATED GROUND WATER MAY BE DISCHARGED ON SITE, BUT SHALL NOT LEAVE THE SITE IN THE FORM OF SURFACE RUNOFF UNLESS AN APPROVED STATE DEWATERING PERMIT IS IN PLACE.
- EROSION CONTROL BLANKETING OR OTHER PROTECTIVE COVERING SHALL BE USED ON SLOPES STEEPER THAN 3:1.

- CONTRACTOR SHALL BE RESPONSIBLE FOR THE REMOVAL OF ALL WASTES FROM THE CONSTRUCTION SITE FOR DISPOSAL IN ACCORDANCE WITH LOCAL AND STATE REGULATORY REQUIREMENTS. NO CONSTRUCTION DEBRIS, TREE SLASH, BUILDING MATERIAL WASTES OR UNUSED BUILDING MATERIALS SHALL BE BURIED, DUMPED, OR DISCHARGED AT THE SITE.
- WASTE MATERIALS SHALL NOT BE TEMPORARILY PLACED OR STORED IN THE STREET, ALLEY, OR OTHER PUBLIC WAY, UNLESS IN ACCORDANCE WITH AN APPROVED TRAFFIC CONTROL PLAN. CONTROL MEASURES MAY BE REQUIRED BY EL PASO COUNTY ENGINEERING IF DEEMED NECESSARY, BASED ON SPECIFIC CONDITIONS AND CIRCUMSTANCES.
- TRACKING OF SOILS AND CONSTRUCTION DEBRIS OFF-SITE SHALL BE MINIMIZED. MATERIALS TRACKED OFF-SITE SHALL BE CLEANED UP AND PROPERLY DISPOSED OF IMMEDIATELY.
- THE OWNER/DEVELOPER SHALL BE RESPONSIBLE FOR THE REMOVAL OF ALL CONSTRUCTION DEBRIS, DIRT, TRASH, ROCK, SEDIMENT, SOIL, AND SAND THAT MAY ACCUMULATE IN ROADS, STORM DRAINS AND OTHER DRAINAGE CONVEYANCE SYSTEMS AND STORMWATER APPURTENANCES AS A RESULT OF SITE DEVELOPMENT.
- THE QUANTITY OF MATERIALS STORED ON THE PROJECT SITE SHALL BE LIMITED, AS MUCH AS PRACTICAL, TO THAT QUANTITY REQUIRED TO PERFORM THE WORK IN AN ORDERLY SEQUENCE. ALL MATERIALS STORED ON-SITE SHALL BE STORED IN A NEAT, ORDERLY MANNER, IN THEIR ORIGINAL CONTAINERS, WITH ORIGINAL MANUFACTURER'S LABELS.

- NO CHEMICAL(S) HAVING THE POTENTIAL TO BE RELEASED IN STORMWATER ARE TO BE STORED OR USED ON SITE UNLESS PERMISSION FOR THE USE OF SUCH CHEMICAL(S) IS GRANTED IN WRITING BY THE ECM ADMINISTRATOR. IN GRANTING APPROVAL FOR THE USE OF SUCH CHEMICAL(S), SPECIAL CONDITIONS AND MONITORING MAY BE REQUIRED.
- BULK STORAGE OF ALLOWED PETROLEUM PRODUCTS OR OTHER ALLOWED LIQUID CHEMICALS IN EXCESS OF 55 GALLONS SHALL REQUIRE ADEQUATE SECONDARY CONTAINMENT PROTECTION TO CONTAIN ALL SPILLS ONSITE AND TO PREVENT ANY SPILLED MATERIALS FROM ENTERING STATE WATERS, ANY SURFACE OR SUBSURFACE STORM DRAINAGE SYSTEM OR OTHER FACILITIES.
- NO PERSON SHALL CAUSE THE IMPEDIMENT OF STORMWATER FLOW IN THE CURB AND GUTTER OR DITCH EXCEPT WITH APPROVED SEDIMENT CONTROL MEASURES.
- OWNER/DEVELOPER AND THEIR AGENTS SHALL COMPLY WITH THE "COLORADO WATER QUALITY CONTROL ACT" (TITLE 25, ARTICLE 8, CRS), AND THE "CLEAN WATER ACT" (33 USC 1344), IN ADDITION TO THE REQUIREMENTS OF THE LAND DEVELOPMENT CODE, DCM VOLUME II AND THE ECM APPENDIX I. ALL APPROPRIATE PERMITS MUST BE OBTAINED BY THE CONTRACTOR PRIOR TO CONSTRUCTION (1041, NPDES, FLOODPLAIN, 404, FUGITIVE DUST, ETC.). IN THE EVENT OF CONFLICTS BETWEEN THESE REQUIREMENTS AND OTHER LAWS, RULES, OR REGULATIONS OF OTHER FEDERAL, STATE, LOCAL, OR COUNTY AGENCIES, THE MOST RESTRICTIVE LAWS, RULES, OR REGULATIONS SHALL APPLY.
- ALL CONSTRUCTION TRAFFIC MUST ENTER/EXIT THE SITE ONLY AT APPROVED CONSTRUCTION ACCESS POINTS.
- PRIOR TO CONSTRUCTION THE PERMITTEE SHALL VERIFY THE LOCATION OF EXISTING UTILITIES.
- A WATER SOURCE SHALL BE AVAILABLE ON SITE DURING EARTHWORK OPERATIONS AND SHALL BE UTILIZED AS REQUIRED TO MINIMIZE DUST FROM EARTHWORK EQUIPMENT AND WIND.
- THE SOILS REPORT FOR THIS SITE HAS BEEN PREPARED BY CTL THOMPSON, DATED JULY 13, 2006 AND SHALL BE CONSIDERED A PART OF THESE PLANS.
- AT LEAST TEN (10) DAYS PRIOR TO THE ANTICIPATED START OF CONSTRUCTION, FOR PROJECTS THAT WILL DISTURB ONE (1) ACRE OR MORE, THE OWNER OR OPERATOR OF CONSTRUCTION ACTIVITY SHALL SUBMIT A PERMIT APPLICATION FOR STORMWATER DISCHARGE TO THE COLORADO DEPARTMENT OF PUBLIC HEALTH AND ENVIRONMENT, WATER QUALITY DIVISION. THE APPLICATION CONTAINS CERTIFICATION OF COMPLETION OF A STORMWATER MANAGEMENT PLAN (SWMP), OF WHICH THIS GRADING AND EROSION CONTROL PLAN MAY BE A PART. FOR INFORMATION OR APPLICATION MATERIALS CONTACT:

COLORADO DEPARTMENT OF PUBLIC HEALTH AND ENVIRONMENT
 WATER QUALITY CONTROL DIVISION
 WQCD - PERMITS
 4300 CHERRY CREEK DRIVE SOUTH
 DENVER, CO 80246-1530
 ATTN: PERMITS UNIT



SILT FENCE NOTES

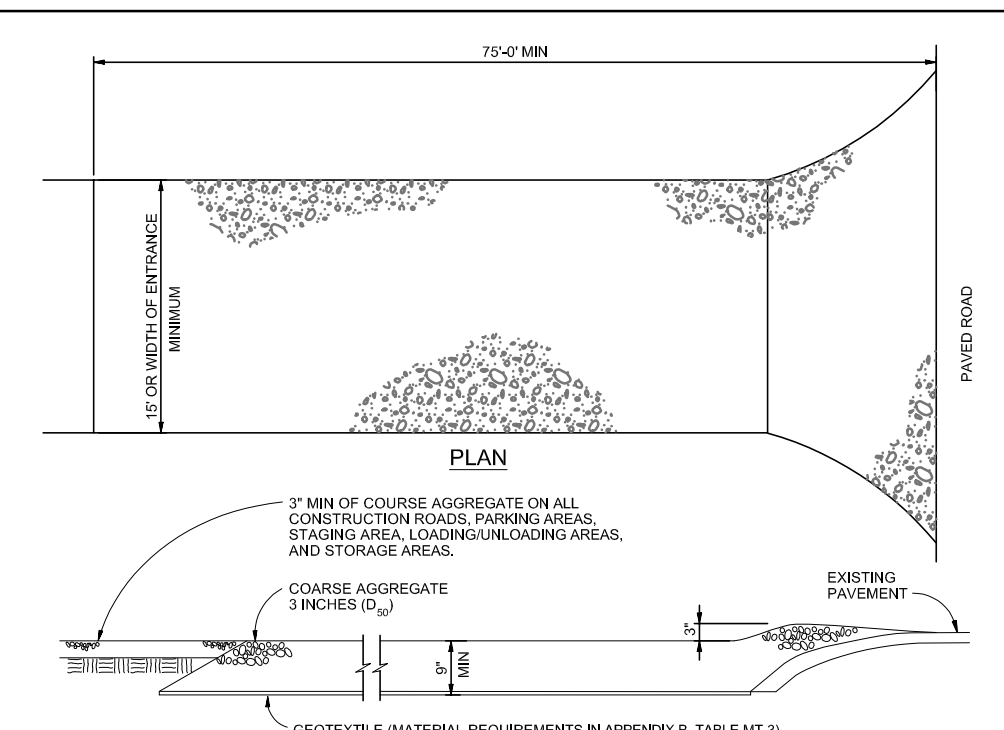
INSTALLATION REQUIREMENTS

- SILT FENCES SHALL BE INSTALLED PRIOR TO ANY LAND DISTURBING ACTIVITIES.
- WHEN JOINTS ARE NECESSARY, SILT FENCE GEOTEXTILE SHALL BE SPAZED TOGETHER ONLY AT SUPPORT POSTS AND SECURELY SEALED.
- METAL POSTS SHALL BE "STUDDED TEE" OR "I" TYPE WITH MINIMUM HEIGHT OF 1.33 POUNDS PER LINEAR FOOT. WOOD POSTS SHALL HAVE A MINIMUM DIAMETER OR CROSS SECTION DIMENSION OF 2 INCHES.
- THE FILTER MATERIAL SHALL BE FASTENED SECURELY TO METAL OR WOOD POSTS USING WIRE TIES OR TO WOOD POSTS WITH 3/4" LONG #6 HEAVY-DUTY STAPLES. THE SILT FENCE GEOTEXTILE SHALL NOT BE STAPLED TO EXISTING TREES.
- WHILE NOT REQUIRED, WIRE MESH FENCE MAY BE USED TO SUPPORT THE GEOTEXTILE. WIRE FENCE SHALL BE FASTENED SECURELY TO THE UPSLOPE SIDE OF THE POSTS USING HEAVY-DUTY WIRE STAPLES AT LEAST 3/4" LONG, 18 INCHES OR LONGER. THE WIRE SHALL EXTEND INTO THE TRENCH A MINIMUM OF 6" AND SHALL NOT EXTEND MORE THAN 3" ABOVE THE ORIGINAL GROUND SURFACE.
- ALONG THE TOE OF FILLS, INSTALL THE SILT FENCE ALONG A LEVEL CONTOUR AND PROVIDE AN AREA BEHIND THE FENCE FOR RUNOFF TO POND AND SEDIMENT TO SETTLE: A MINIMUM DISTANCE OF 5 FEET FROM THE TOE OF THE FILL IS RECOMMENDED.
- THE HEIGHT OF THE SILT FENCE FROM THE GROUND SURFACE SHALL BE MINIMUM OF 24 INCHES AND SHALL NOT EXCEED 36 INCHES. HIGHER FENCES MAY IMPROVE VOLUMES OF WATER SUFFICIENT TO CAUSE FAILURE OF THE STRUCTURE.

MAINTENANCE REQUIREMENTS

- CONTRACTOR SHALL INSPECT SILT FENCES IMMEDIATELY AFTER EACH RAINFALL, AT LEAST DAILY DURING PROLONGED RAINFALL AND WEEKLY DURING PERIODS OF NO RAINFALL. DAMAGED, COLLAPSED, UNMAINTAINED OR INEFFECTIVE SILT FENCES SHALL BE PROMPTLY REPAIRED OR REPLACED.
- SEDIMENT SHALL BE REMOVED FROM BEHIND SILT FENCE WHEN IT ACCUMULATES TO HALF THE EXPOSED GEOTEXTILE HEIGHT.
- SILT FENCES SHALL BE REMOVED WHEN NECESSARY. VEGETATIVE COVER IS ATTAINED AS APPROVED BY THE CITY.

City of Colorado Springs Stormwater Quality Figure SF-2 Silt Fence Construction Detail and Maintenance Requirements



VEHICLE TRACKING NOTES

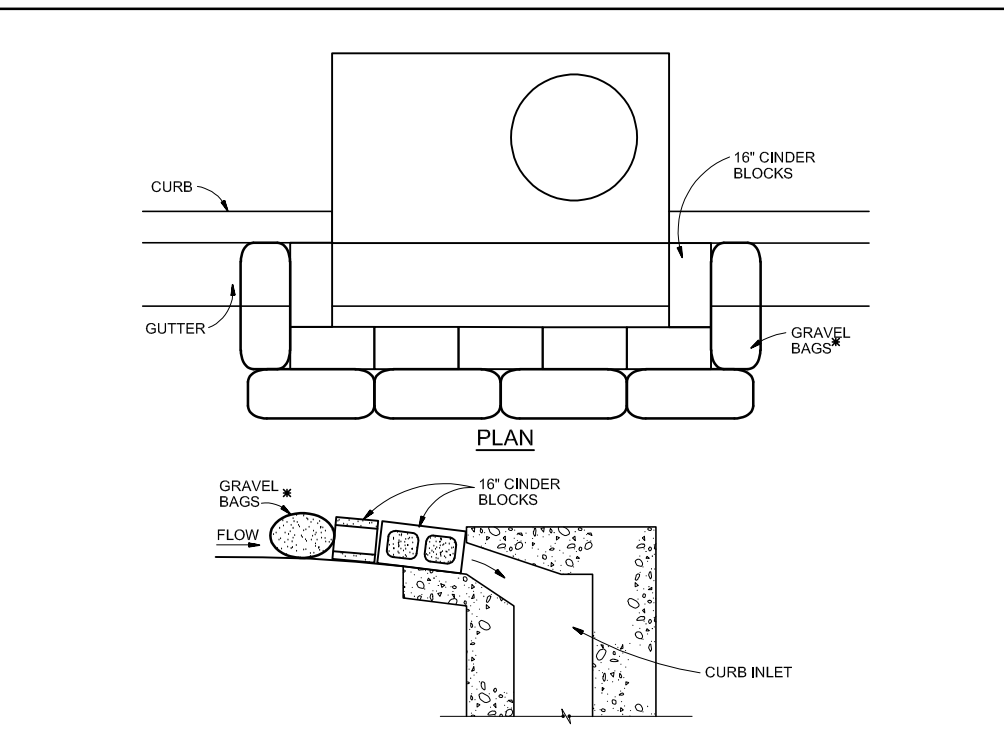
INSTALLATION REQUIREMENTS

- ALL ENTRANCES TO THE CONSTRUCTION SITE ARE TO BE STABILIZED PRIOR TO CONSTRUCTION BEGINNING.
- CONSTRUCTION ENTRANCES ARE TO BE BUILT WITH AN APPROX. TO ALLOW FOR TURNING TRAFFIC, BUT SHOULD NOT BE BUILT OVER EXISTING PAVEMENT EXCEPT FOR A SLIGHT OVERLAP.
- AREAS TO BE STABILIZED ARE TO BE PROPERLY GRADED AND COMPACTED PRIOR TO LAYING DOWN GEOTEXTILE AND STONE.
- CONSTRUCTION ROADS, PARKING AREAS, LOADING/UNLOADING ZONES, STAGING AREAS, AND STAGING AREAS ARE TO BE STABILIZED.
- CONSTRUCTION ROADS ARE TO BE BUILT TO CONFORM TO SITE GRADES, BUT SHOULD NOT HAVE SIDE SLOPES OR ROAD GRADES THAT ARE EXCESSIVELY STEEP.

MAINTENANCE REQUIREMENTS

- REGULAR INSPECTIONS ARE TO BE MADE OF ALL STABILIZED AREAS, ESPECIALLY AFTER STORM EVENTS.
- STONES ARE TO BE REPLACED PERIODICALLY AND WHEN REPAIR IS NECESSARY.
- SEDIMENT TRACKED ONTO PAVED ROADS IS TO BE REMOVED DAILY BY SHOULDER OR OVERPASS. SEDIMENT IS NOT TO BE WASHED DOWN STORM SEWER DRAINS.
- STORM SEWER INLET PROTECTION IS TO BE IN PLACE, INSPECTED, AND CLEANED IF NECESSARY.
- OTHER ASSOCIATED SEDIMENT CONTROL MEASURES ARE TO BE INSPECTED TO ENSURE GOOD WORKING CONDITION.

City of Colorado Springs Stormwater Quality Figure VT-2 Vehicle Tracking Application Examples



BLOCK AND GRAVEL CURB INLET PROTECTION NOTES

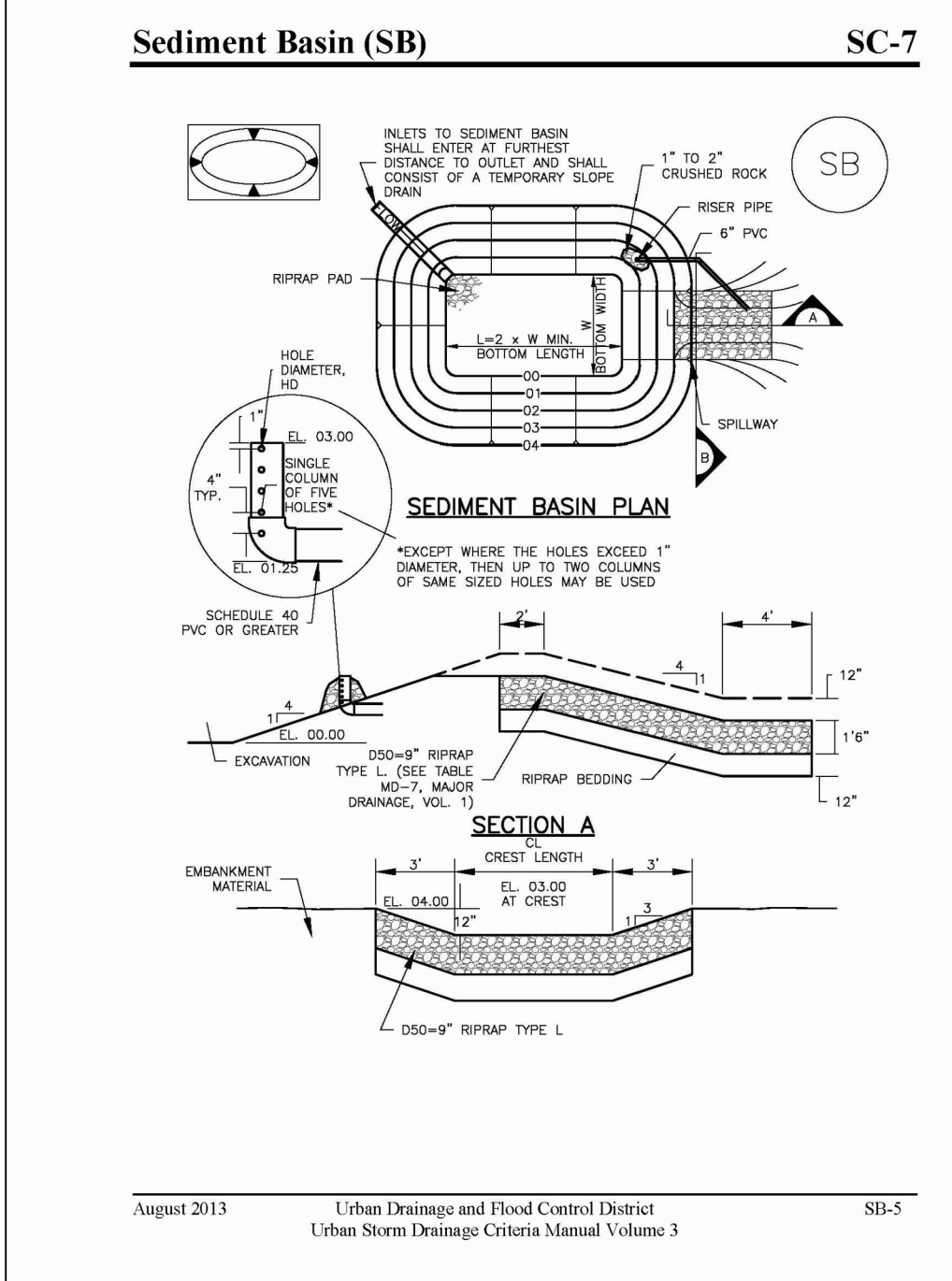
INSTALLATION REQUIREMENTS

- INLET PROTECTION SHALL BE INSTALLED IMMEDIATELY AFTER CONSTRUCTION OF INLET.
- CONCRETE BLOCKS ARE TO BE LAID AROUND THE INLET IN A SINGLE ROW ON THEIR BEARS ABUTTING ONE ANOTHER WITH THE OPEN ENDS OF THE BLOCK FACING DOWNWARD.
- GRAVEL BAGS ARE TO BE PLACED AROUND THE CONCRETE BLOCKS CLOSELY ABUTTING ONE ANOTHER IF THERE ARE NO GAPS.
- GRAVEL BAGS ARE TO CONTAIN WASHED SAND OR GRAVEL APPROXIMATELY 3/8" IN DIAMETER.
- BAGS ARE TO BE MADE OF 1/2" MESH WIRE MESH (USED WITH GRAVEL ONLY) OR GEOTEXTILE.

MAINTENANCE REQUIREMENTS

- CONTRACTOR SHALL INSPECT INLET PROTECTION IMMEDIATELY AFTER EACH RAINFALL, AT LEAST DAILY DURING PROLONGED RAINFALL, AND WEEKLY DURING PERIODS OF NO RAINFALL.
- DAMAGED OR INEFFECTIVE INLET PROTECTION SHALL PROMPTLY BE REPAIRED OR REPLACED.
- SEDIMENT SHALL BE REMOVED WHEN SEDIMENT HAS ACCUMULATED TO APPROXIMATELY 1/2 THE DESIGN DEPTH OF THE TYP.
- INLET PROTECTION SHALL BE REMOVED WHEN ADEQUATE VEGETATIVE COVER IS ATTAINED WITHIN THE DRAINAGE AREA AS APPROVED BY THE CITY.

City of Colorado Springs Stormwater Quality Figure IP-3 Block & Gravel Curb Inlet Protection Construction Detail and Maintenance Requirements



TEMPORARY SEDIMENT BASIN DESIGN DATA

BASIN	DRAINAGE AREA (AC)	CL (FT)	HD (IN)
A1	12.7	19	1-1/16"

SEEDING MIX:

GRASS	VARIETY	AMOUNT IN PLS LBS. PER ACRE
CRESTED WHEAT GRASS	EPHRAIM OR HYCREST	4.0 LBS.
PERENNIAL RYE	LINN	2.0 LBS.
WESTERN WHEATGRASS	SARTON	3.0 LBS.
SMOOTH BROME GRASS	LINCOLN OR MANCHAR	5.0 LBS.
SIDEOATS GRAMA	EPHRAIM	2.5 LBS.
TOTAL:		16.5 LBS.

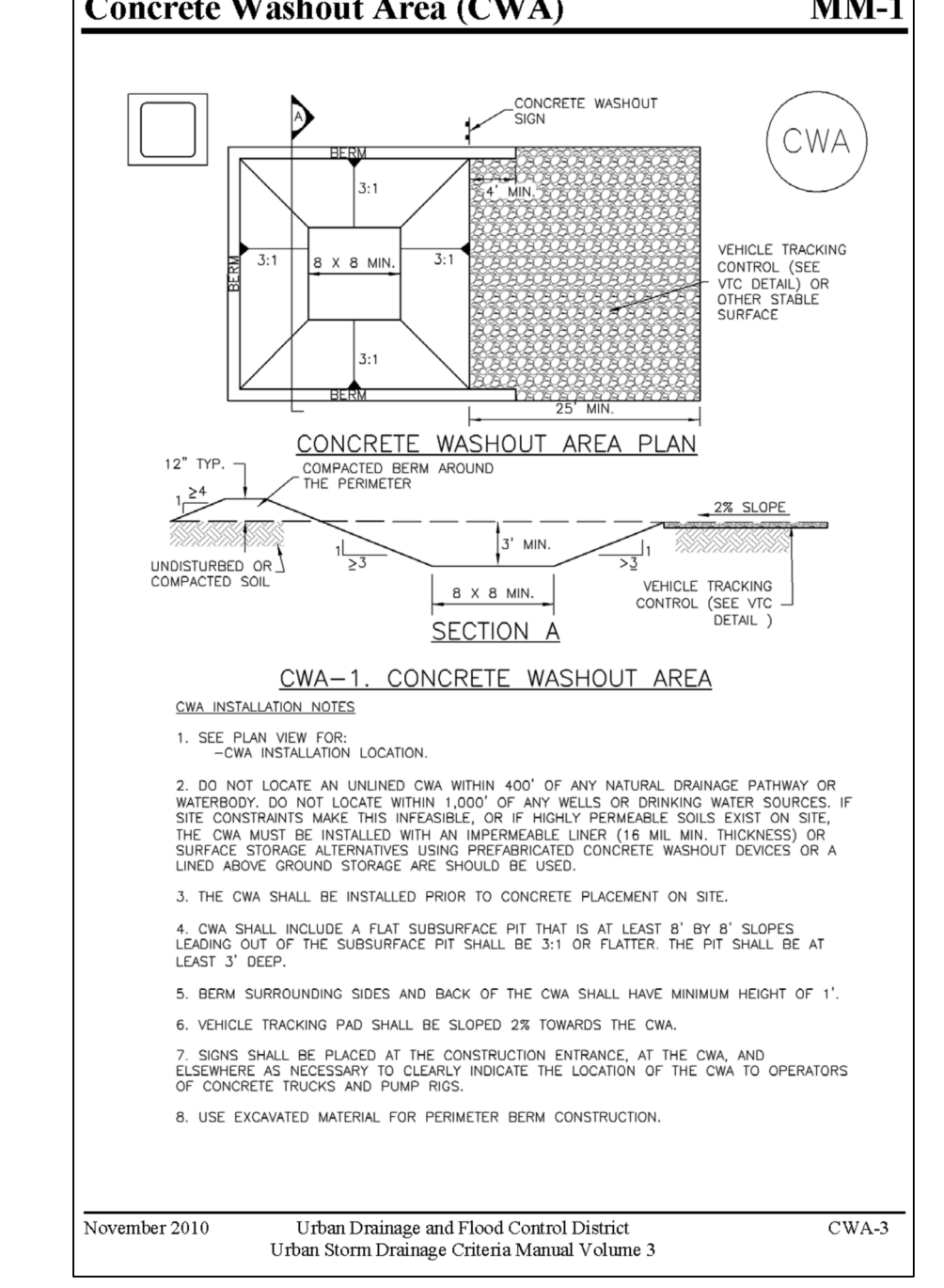
SEEDING & FERTILIZER APPLICATION: DRILL SEED OR HYDRO-SEED PER CDOT SPEC. SECTION 212.

MULCHING APPLICATION: CONFORM TO CDOT SPEC-SECTION 213.

EROSION CONTROL NOTES:

AT LEAST TEN DAYS PRIOR TO THE ANTICIPATED START OF CONSTRUCTION, FOR PROJECTS THAT WILL DISTURB 1 ACRE OR MORE, THE OWNER OR OPERATOR OF THE CONSTRUCTION ACTIVITY SHALL SUBMIT A PERMIT APPLICATION FOR STORMWATER DISCHARGE TO THE COLORADO DEPARTMENT OF PUBLIC HEALTH AND ENVIRONMENT, WATER QUALITY CONTROL DIVISION. THE APPLICATION CONTAINS CERTIFICATION OF COMPLETION OF A STORMWATER MANAGEMENT PLAN (SWMP), OF WHICH THIS GRADING AND EROSION CONTROL PLAN MAY BE A PART. FOR INFORMATION OR APPLICATION MATERIALS CONTACT:

COLORADO DEPARTMENT OF PUBLIC HEALTH AND ENVIRONMENT
 WATER QUALITY CONTROL DIVISION
 WQCD - PERMITS
 4300 CHERRY CREEK DRIVE SOUTH
 DENVER, COLORADO 80246-1530
 ATTN.: PERMITS UNIT



ESTIMATED TIME SCHEDULE:

INSTALL BMP'S	JUNE, 2022
GRADING START	JUNE, 2022
GRADING COMPLETION	DECEMBER, 2021
SEEDING & MULCHING	MAY, 2023
STABILIZATION	AUGUST, 2024

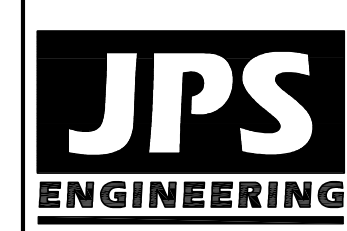
SEDIMENT CONTROL MAINTENANCE PROGRAM: FREQUENCY 1

PERIODIC SITE INSPECTIONS BI-WEEKLY
 RE-VEGETATION OF EXPOSED SOILS WITHIN 21 DAYS OF GRADING
 SEDIMENT REMOVAL FROM BMP'S MONTHLY
 REMOVAL OF BMP'S AFTER STABILIZATION ACHIEVED

- AND AFTER ANY PRECIPITATION OR SNOW MELT EVENT THAT CAUSES SURFACE EROSION.
- ACCUMULATED SEDIMENT AND DEBRIS SHALL BE REMOVED WHEN THE SEDIMENT LEVEL REACHES ONE HALF THE HEIGHT OF THE BMP OR AT ANY TIME THAT SEDIMENT OR DEBRIS ADVERSELY IMPACTS THE FUNCTION OF THE BMP.

PCD PROJECT NO. MS-20-001

DeYOUNG SUBDIVISION



19 E. Willamette Ave.
 Colorado Springs, CO
 80903
 PH: 719-477-9429
 FAX: 719-471-0766
 www.jpsegr.com



CALL UTILITY NOTIFICATION CENTER OF COLORADO
1-800-922-1987
 BEFORE YOU DIG, GRADE, OR EXCAVATE FOR THE MARKING OF UNDERGROUND MEMBER UTILITIES.

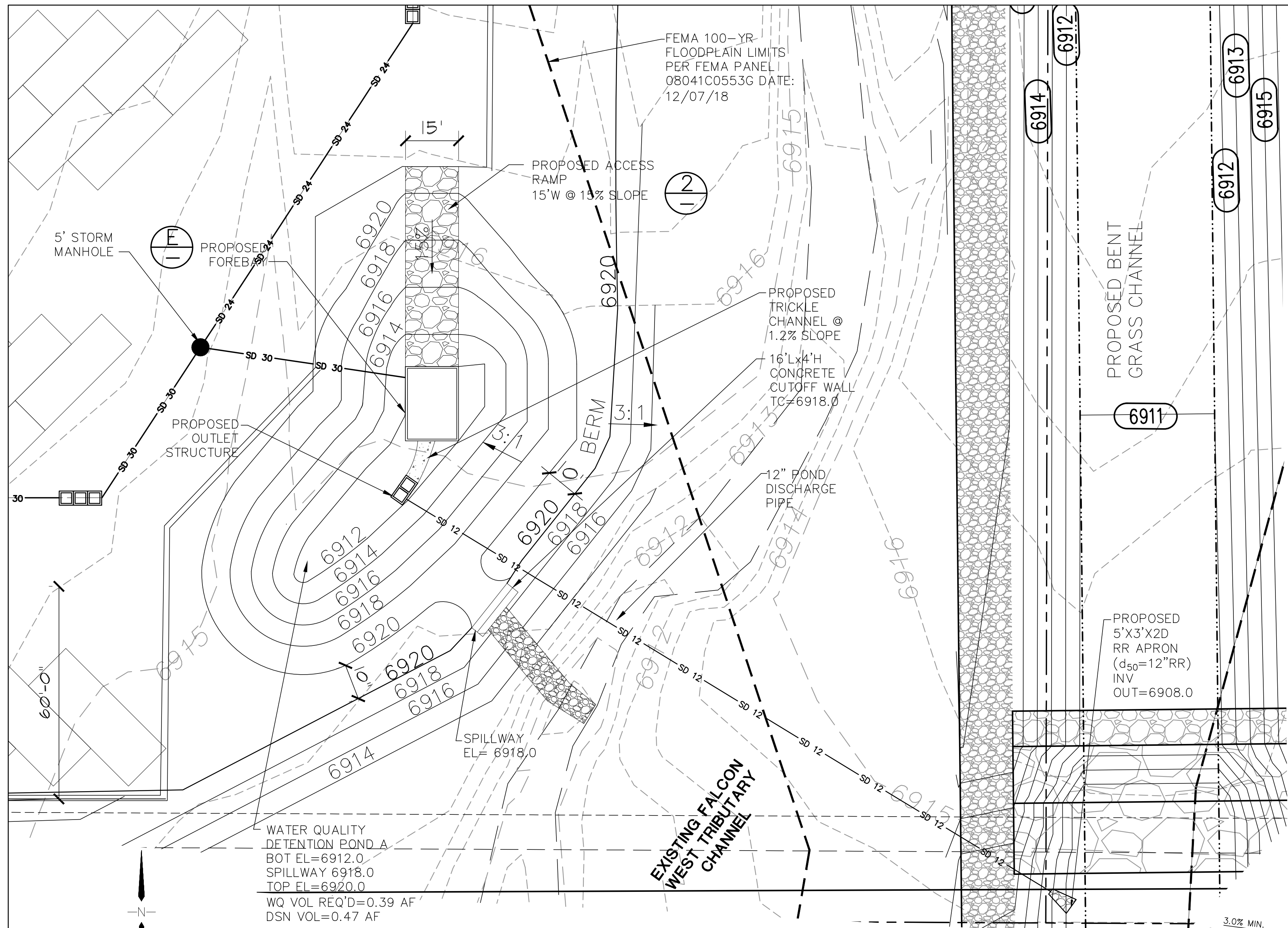
No.	REVISION	DATE	BY
A	EPC SUBMITTAL	4/20/20	JPS
B	EPC COMMENTS	8/19/20	JPS

EROSION CONTROL NOTES & DETAILS

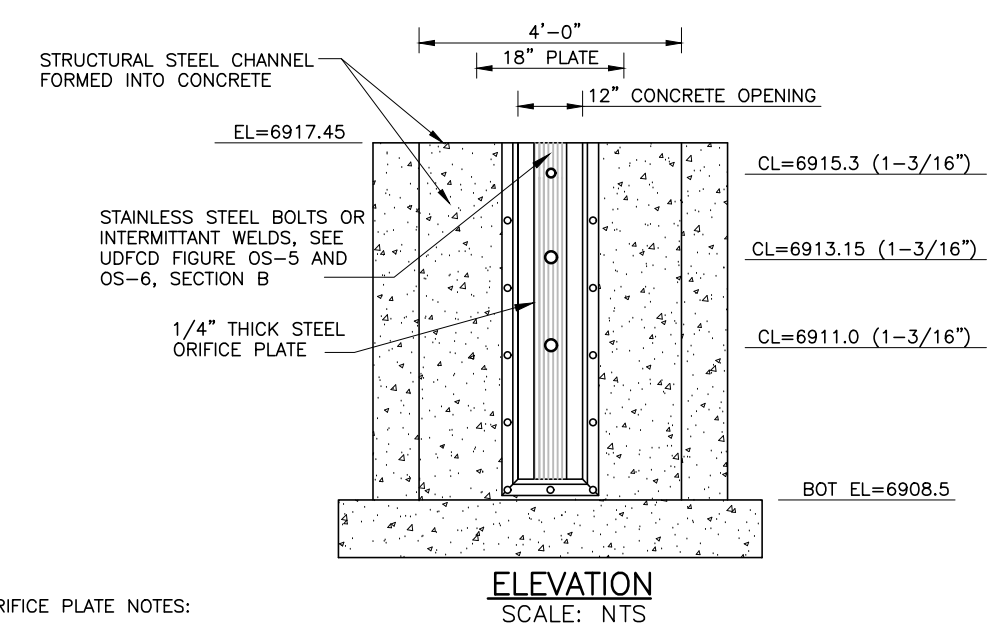
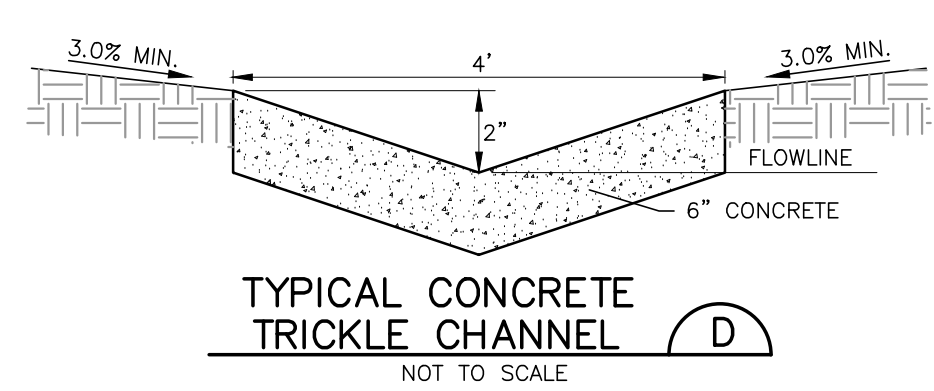
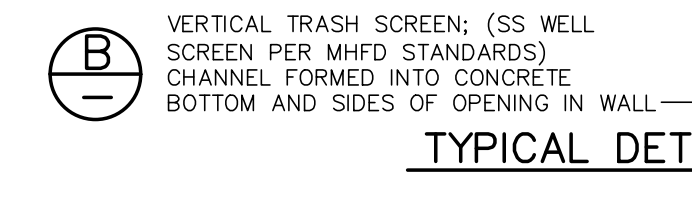
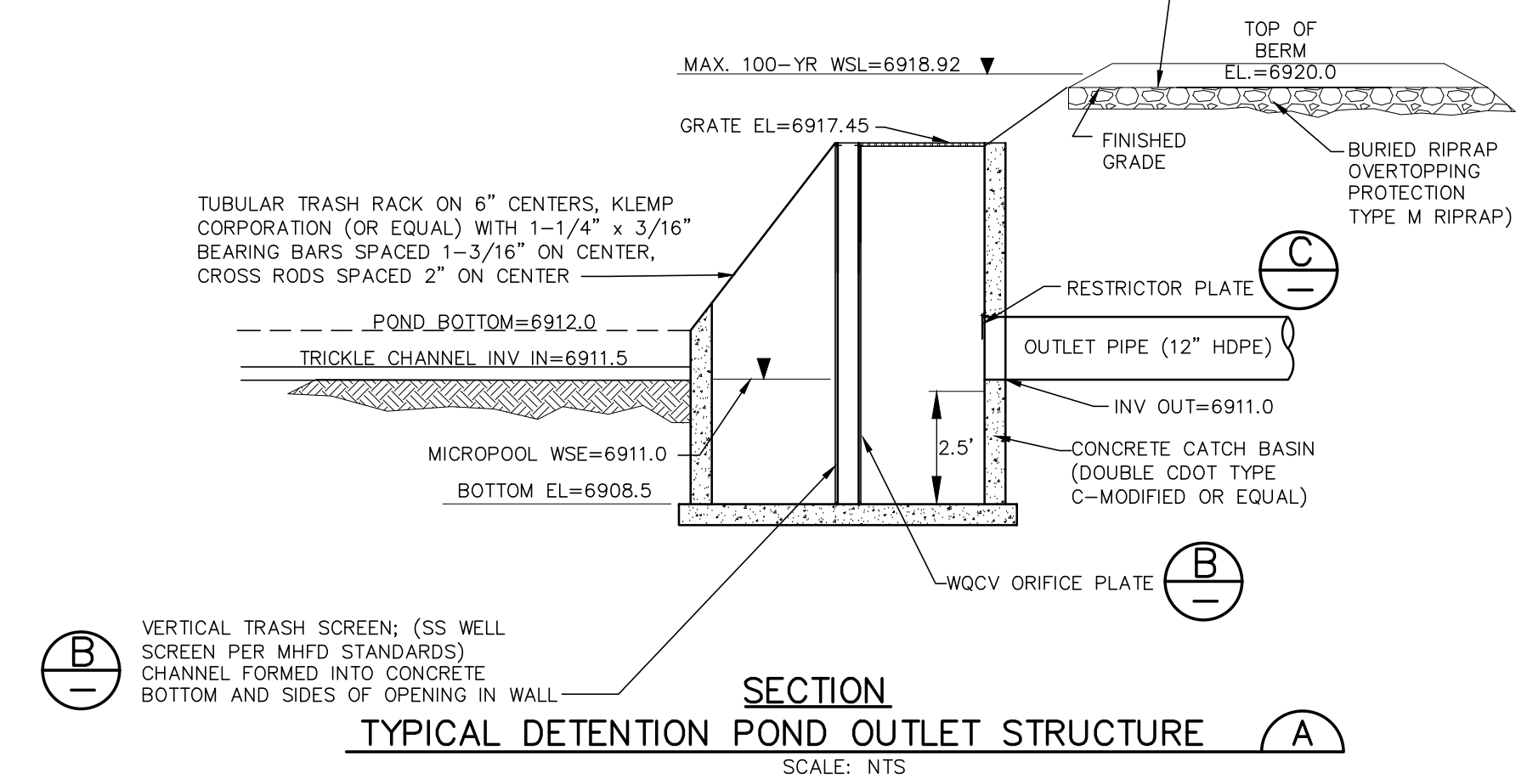
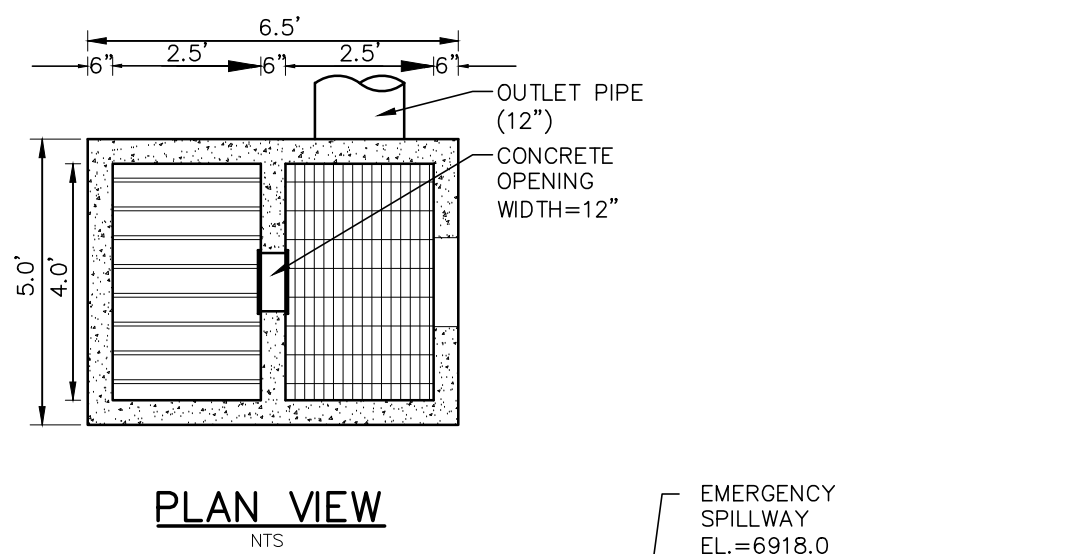
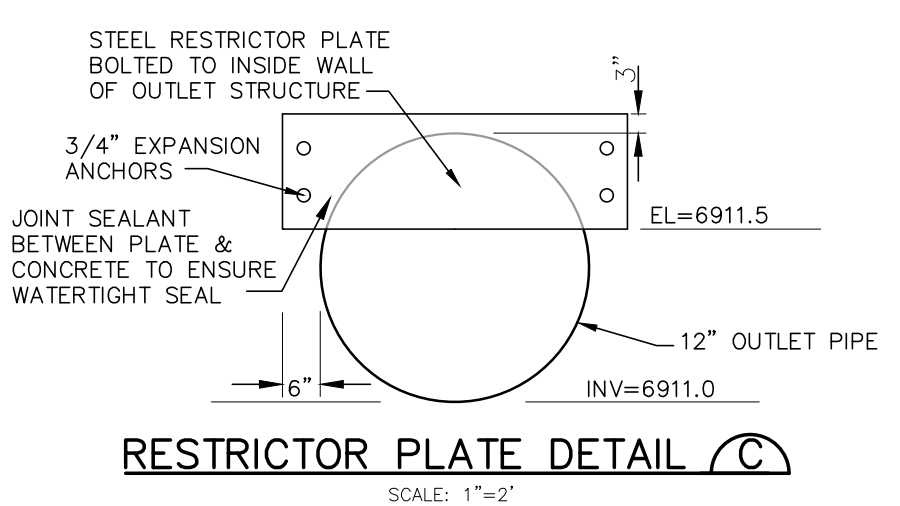
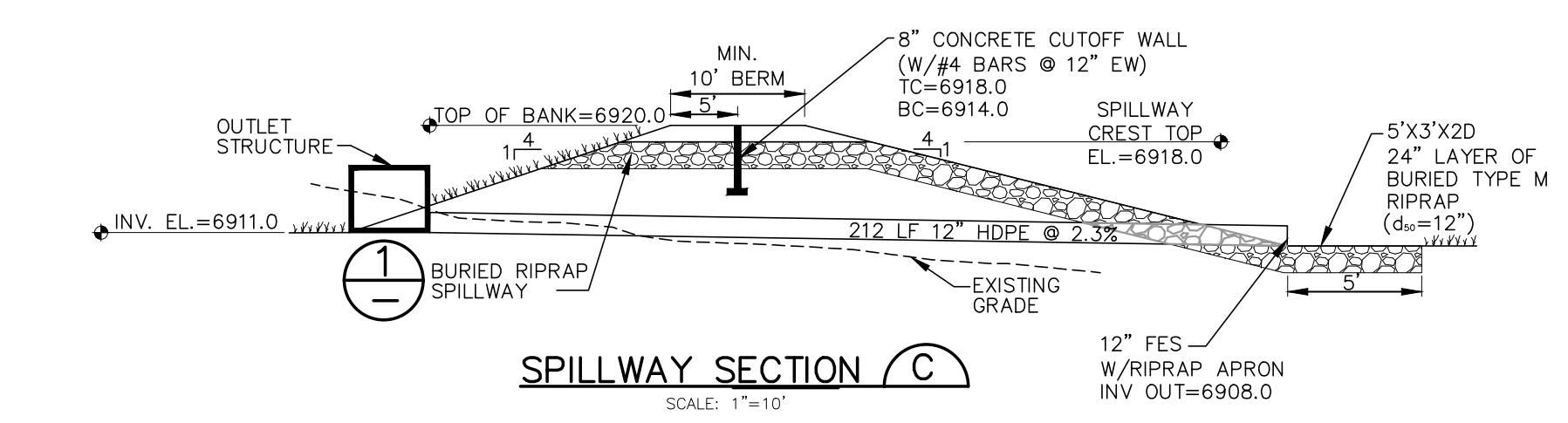
HORIZ. SCALE: NTS	DRAWN: BJJ
VERT. SCALE: N/A	DESIGNED: JPS
SURVEYED: RIDGELINE	CHECKED: JPS
CREATED: 4/15/20	LAST MODIFIED: 4/16/22
PROJECT NO: 031901	MODIFIED BY: BJJ
SHEET:	

C2.2

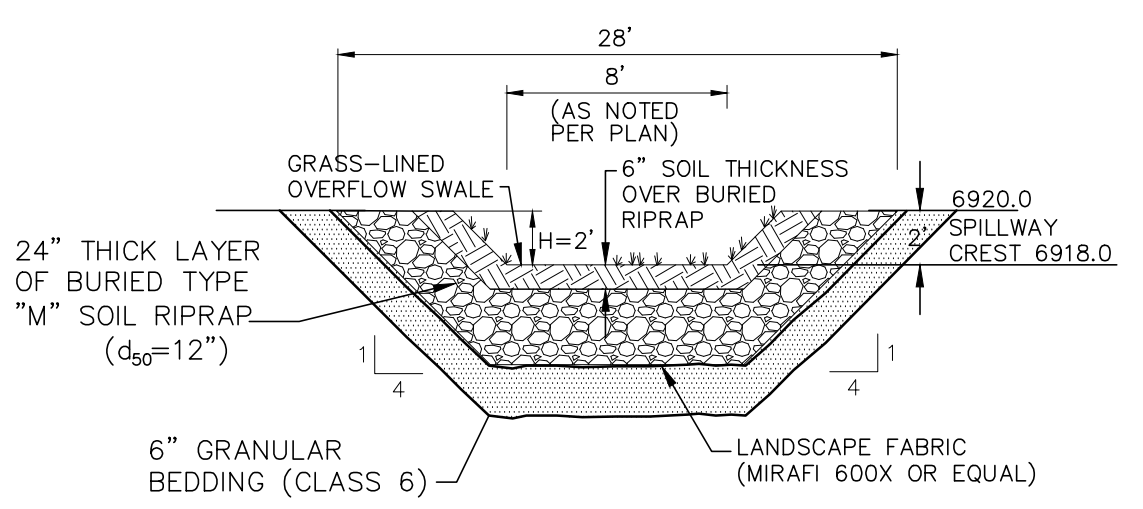
C:\Users\Owner\Desktop\projects\031901\nommers-morncove\dwg\util - 2021\C2.2.dwg_Mar_16_2022 - 7:16am



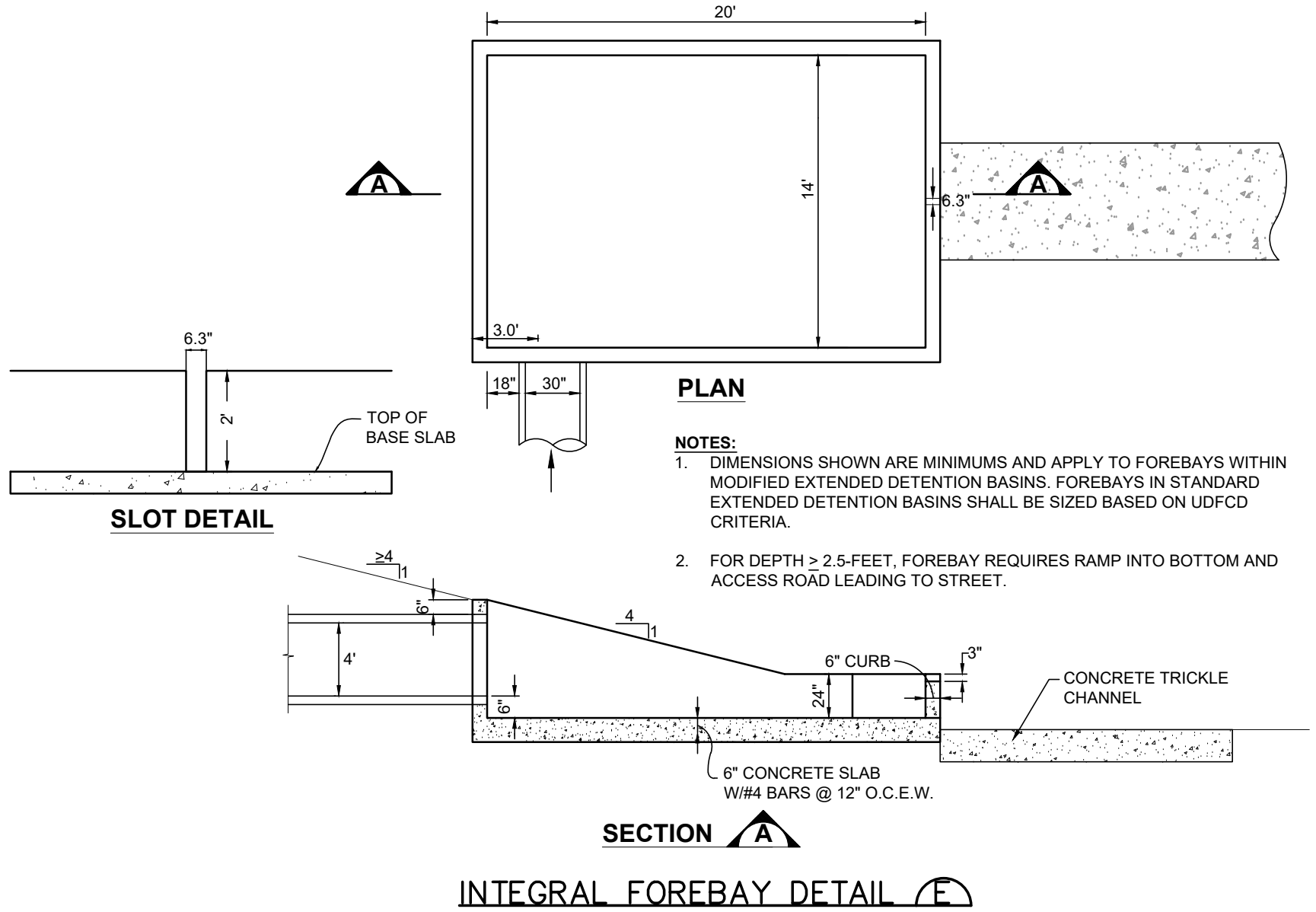
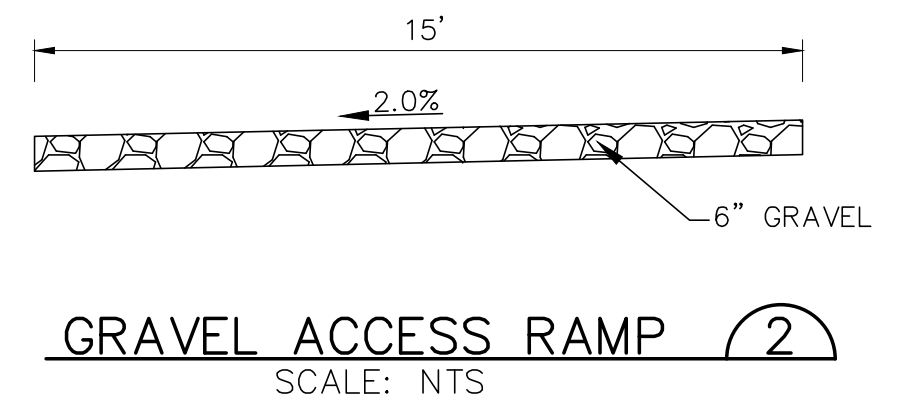
DETENTION POND PLAN
SCALE: 1"=20'



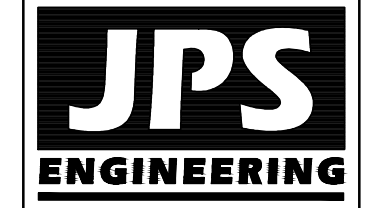
- ORIFICE PLATE NOTES:**
- MINIMIZE THE NUMBER OF COLUMNS.
 - PROVIDE GASKET MATERIAL BETWEEN THE ORIFICE PLATE AND CONCRETE.
 - BOLT PLATE TO CONCRETE 12" MAX. ON CENTER.
- EURV AND WOCV TRASH RACKS:**
- WELL-SCREEN TRASH RACKS (FOR CIRCULAR ORIFICES) SHALL BE ATTACHED BY INTERMITTENT WELDS ALONG THE EDGE OF THE MOUNTING FRAME.
 - STRUCTURAL DESIGN OF TRASH RACKS SHALL BE BASED ON FULL HYDROSTATIC HEAD WITH ZERO HEAD DOWNSTREAM OF THE RACK.
- OVERFLOW TRASH RACKS:**
- ALL TRASH RACKS SHALL BE MOUNTED USING STAINLESS STEEL HARDWARE AND PROVIDED WITH HINGED AND LOCKABLE OR BOLTABLE ACCESS PANELS.
 - TRASH RACKS SHALL BE STAINLESS STEEL, ALUMINUM, OR STEEL. STEEL TRASH RACKS SHALL BE HOT DIP GALVANIZED AND MAY BE HOT POWDER COATED AFTER GALVANIZING.
 - TRASH RACKS SHALL BE DESIGNED SUCH THAT THE DIAGONAL DIMENSION OF EACH OPENING IS SMALLER THAN THE DIAMETER OF THE OUTLET PIPE.
 - STRUCTURAL DESIGN OF TRASH RACKS SHALL BE BASED ON FULL HYDROSTATIC HEAD WITH ZERO HEAD DOWNSTREAM OF THE RACK.



- RIPRAP NOTES:**
- RIPRAP SHALL HAVE A MINIMUM SPECIFIC GRAVITY OF 2.6.
 - RIPRAP GRADATION SHALL CONFORM TO TABLE 1 OF MHFD SPEC SECTION 31-37-00:
- | RIPRAP DESIGNATION | % SMALLER THAN GIVEN SIZE BY WEIGHT | INTERMEDIATE ROCK DIMENSION (inches) | d ₅₀ * (inches) |
|--------------------|-------------------------------------|--------------------------------------|----------------------------|
| TYPE M | 70-100 | 21 | 12"* |
| | 50-70 | 18 | |
| | 35-50 | 12 | |
| | 2-10 | 4 | |
- CONTRACTOR SHALL SUBMIT RIPRAP GRADATION TO ENGINEER FOR APPROVAL PRIOR TO DELIVERY.
 - PER MHFD SPEC SECTION 31-37-00, THE SOIL MATERIAL SHALL BE NATIVE OR TOPSOIL AND MIXED WITH 65% RIPRAP AND 35% SOIL BY VOLUME. AND SOIL RIPRAP SHALL CONSIST OF UNIFORM MIXTURE OF SOIL AND RIPRAP WITHOUT VOIDS.



DEYOUNG SUBDIVISION



19 E. Willamette Ave.
Colorado Springs, CO 80903
PH: 719-477-9429
FAX: 719-471-0766
www.jpsegr.com



CALL UTILITY NOTIFICATION CENTER OF COLORADO
1-800-922-1987
CALL BEFORE YOU DIG, OR EXCAVATE FOR THE MARKING OF UNDERGROUND MEMBER UTILITIES.

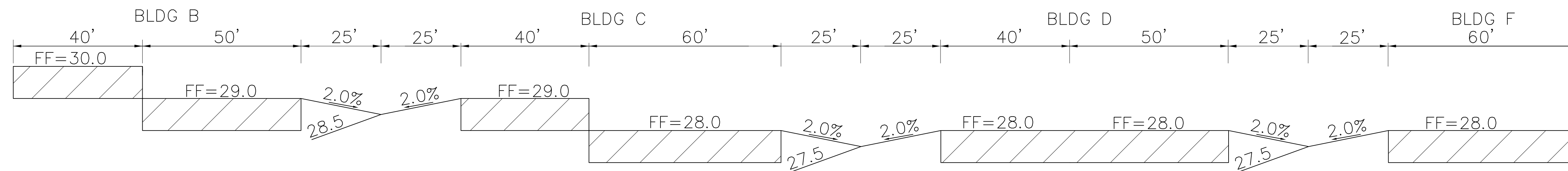
No.	REVISION	DATE
1	EPC SUBMITTAL	4/22/20
2	EPC COMMENTS	9/11/20
3	EPC COMMENTS	04/19/22

**DETENTION POND A
PLAN AND DETAILS**

HORZ. SCALE:	VERT. SCALE:	SURVEYED:	CREATED:	PROJECT NO.:	DRAWN:	DESIGNED:	CHECKED:	LAST MODIFIED:	MODIFIED BY:
N/A	N/A	RIDGELINE	4/19/20	031901	BJJ	JPS	JPS	04/19/22	PV

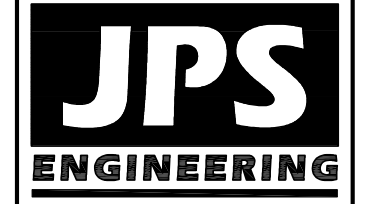
C3.1

C:\Users\Owner\Dropbox\psprojects\031901\hammers-marcove\dwg\civil\C4.1.dwg Mar 16, 2022 - 7:09am

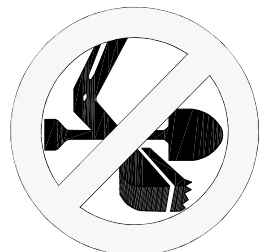


SITE CROSS-SECTION A

SCALE: 1"=20'H, 1"=2'V



19 E. Willamette Ave.
 Colorado Springs, CO
 80903
 PH: 719-477-9429
 FAX: 719-471-0766
 www.jpsegr.com



CALL UTILITY NOTIFICATION
 CENTER OF COLORADO
 1-800-922-1987
 CALL 24 HOURS A DAY, 7 DAYS A WEEK
 BEFORE YOU DIG, GRADE, OR EXCAVATE
 FOR THE MARKING OF UNDERGROUND
 MEMBER UTILITIES.

DeYOUNG SUBDIVISION

SITE SECTION

No.	REVISION	BY	DATE

HORIZ. SCALE: 1"=20'	DRAWN: BJJ
VERT. SCALE: 1"=2'	DESIGNED: JPS
SURVEYED: HAMMERS	CHECKED: JPS
CREATED: 12/27/251	LAST MODIFIED: 3/16/22
PROJECT NO: 031901	MODIFIED BY: BJJ

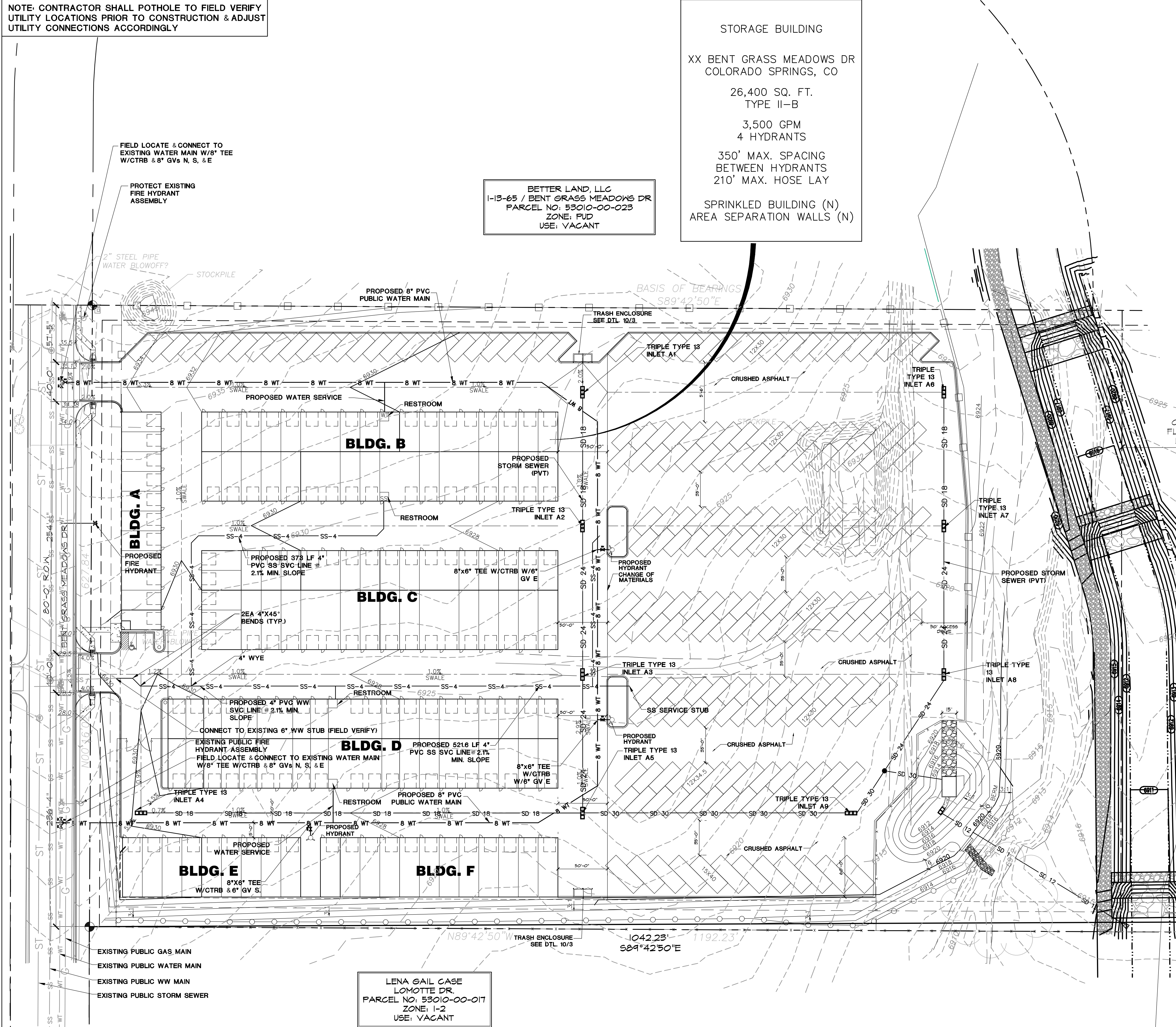
SHEET: **C4.1**

NOTE: CONTRACTOR SHALL POTHOLE TO FIELD VERIFY UTILITY LOCATIONS PRIOR TO CONSTRUCTION & ADJUST UTILITY CONNECTIONS ACCORDINGLY

STORAGE BUILDING
 XX BENT GRASS MEADOWS DR
 COLORADO SPRINGS, CO
 26,400 SQ. FT.
 TYPE II-B
 3,500 GPM
 4 HYDRANTS
 350' MAX. SPACING
 BETWEEN HYDRANTS
 210' MAX. HOSE LAY
 SPRINKLED BUILDING (N)
 AREA SEPARATION WALLS (N)

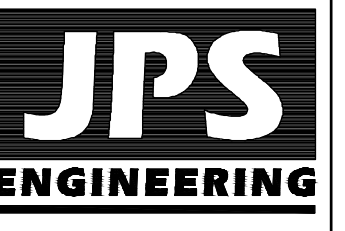
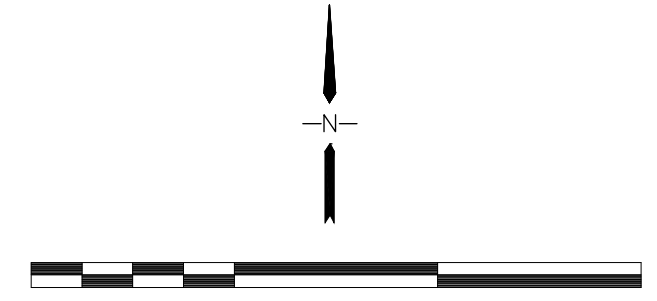
BETTER LAND, LLC
 1-13-65 / BENT GRASS MEADOWS DR
 PARCEL NO: 53010-00-023
 ZONE: PUD
 USE: VACANT

LENA GAIL CASE
 LOMOTTE DR.
 PARCEL NO: 53010-00-017
 ZONE: I-2
 USE: VACANT



GENERAL UTILITY NOTES:

- CONSTRUCTION SHALL MEET THE STANDARDS & SPECIFICATIONS OF WOODMEN HILLS METROPOLITAN DISTRICT.
- THE CONTRACTOR SHALL BE RESPONSIBLE FOR THE NOTIFICATION AND FIELD LOCATION OF ALL EXISTING UTILITIES, WHETHER SHOWN ON THE PLANS OR NOT, BEFORE BEGINNING CONSTRUCTION. LOCATION OF EXISTING UTILITIES SHALL BE VERIFIED BY THE CONTRACTOR PRIOR TO ACTUAL CONSTRUCTION.
- REVEGETATION OF ALL DISTURBED SLOPES SHALL BE DONE WITH DRY LAND GRASS SEED AFTER FINE GRADING IS COMPLETE.
- SANITARY SEWER PIPE SHALL BE PVC ASTM D3034-SDR35 UNLESS OTHERWISE NOTED.
- STATIONING IS AT CENTERLINE UNLESS OTHERWISE NOTED.
- ALL ELEVATIONS ARE AT FLOWLINE UNLESS OTHERWISE NOTED. ALL DIMENSIONS ARE FROM FACE OF CURB UNLESS OTHERWISE NOTED.
- CURB RETURN RADII ARE 20-FEET AT FLOWLINE UNLESS OTHERWISE NOTED.
- LENGTHS SHOWN FOR STORM SEWER PIPES ARE TO CENTER OF MANHOLE.
- CONTRACTOR SHALL MAKE WATER CONNECTIONS WITHOUT SHUTDOWN OR NOTIFY THE DISTRICT AND AFFECTED RESIDENTS OF ANY SERVICE SHUTDOWNS NECESSARY TO CONNECT TO EXISTING LINES.
- BENDS, DEFLECTION & CUT PIPE LENGTHS SHALL BE USED TO HOLD HORIZONTAL ALIGNMENT OF SEWER AND WATER LINES TO 10 FEET SEPARATION AT ALL POINTS REQUIRED. ALIGNMENT CONSTRUCTION STAKES SHALL BE PLACED AT 25' INTERVALS ALONG CURVES FOR PLACEMENT OF SEWER AND WATER LINES.
- FIRE HYDRANT ASSEMBLIES SHALL BE INSTALLED PER DISTRICT STANDARDS AND SHALL INCLUDE LATERAL, VALVE, ELBOW, HYDRANT, AND THRUST BLOCKS.
- WHEREVER DUCTILE IRON PIPE IS USED, THE PIPE, FITTINGS AND HYDRANTS SHALL BE WRAPPED IN POLYETHYLENE & CATHODIC PROTECTION SHALL BE PROVIDED PER DISTRICT STANDARDS.
- SERVICE LINES SHALL BE INSTALLED PER DISTRICT STANDARDS.
- CONTRACTOR SHALL COORDINATE WITH GAS, ELECTRIC, TELEPHONE AND CABLE T.V. UTILITY SUPPLIERS FOR INSTALLATION OF ALL UTILITIES. MINIMUM COVER FOR ALL NON-CITY UTILITIES SHALL BE 36".
- REFER TO MECHANICAL DRAWINGS FOR EXTENSION OF UTILITIES INTO BUILDINGS.
- CONTRACTOR SHALL REMOVE AND DISPOSE OF ALL EXISTING STRUCTURES, DEBRIS, WASTE AND OTHER UNSUITABLE FILL MATERIAL FOUND WITHIN THE LIMITS OF EXCAVATION.
- REFER TO THE PROJECT GEOTECHNICAL REPORT FOR BACKFILL AND COMPACTION SPECIFICATIONS.
- PROVIDE 2-WAY CLEANOUTS AT 95' MAX. SPACING ON WW SERVICE LINES.



19 E. Willamette Ave.
 Colorado Springs, CO
 80903
 PH: 719-477-9429
 FAX: 719-471-0766
 www.jpsengr.com



CALL UTILITY NOTIFICATION
 CENTER OF COLORADO
 1-800-922-1987
 CALL 2-BUSINESS DAYS IN ADVANCE
 BEFORE YOU DIG, GRADE, OR EXCAVATE
 FOR THE MARKING OF UNDERGROUND
 MEMBER UTILITIES.

DEYOUNG SUBDIVISION

NO.	REVISION	BY	DATE

PHASE 1 SITE UTILITY PLAN

HORIZ. SCALE:	1"=50'	DRAWN:	MSP
VERT. SCALE:	N/A	DESIGNED:	JPS
SURVEYED:	RIDGELINE	CHECKED:	JPS
CREATED:	4/16/20	LAST MODIFIED:	04/19/22
PROJECT NO:	031901	MODIFIED BY:	BJJ

SHEET: U1.1