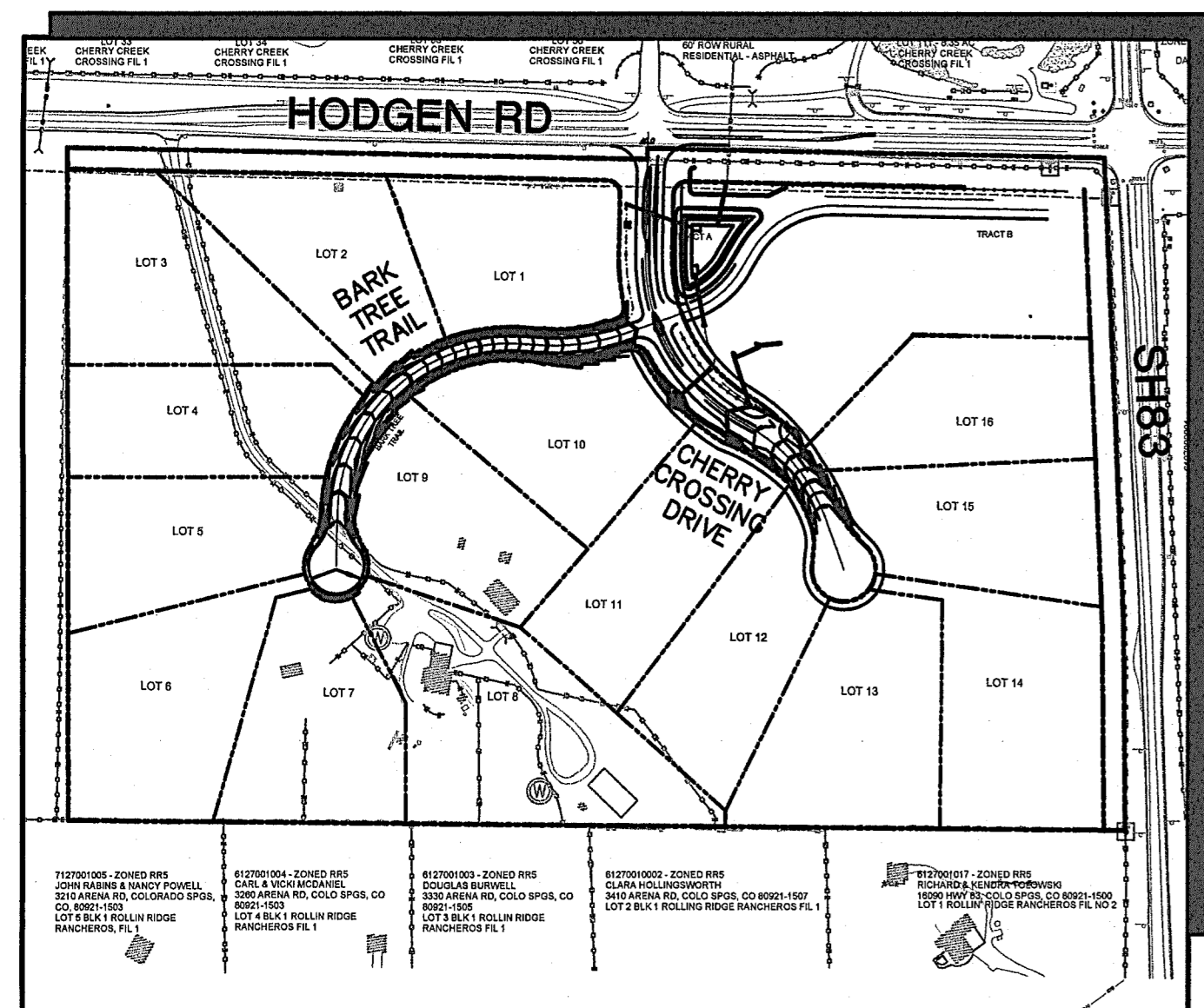


VICINITY MAP
NOT TO SCALE



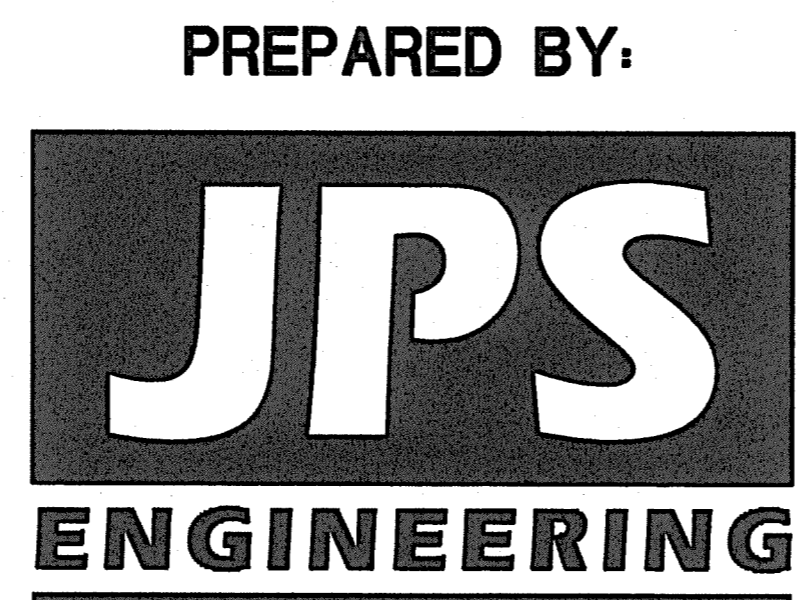
SITE MAP
NOT TO SCALE

BASIS OF BEARING:
 BEGINNING AT THE SOUTHWEST CORNER OF PARCEL 3, AS DESCRIBED IN DEED RECORDED UNDER SAID RECEPTION NO. 217125842, SAID POINT ALSO BEING THE SOUTHEAST CORNER OF THAT TRACT OF LAND AS DESCRIBED IN DEED RECORDED UNDER RECEPTION NO. 200156068 OF SAID COUNTY RECORDS, AS MONUMENTED BY A 5/8" REBAR (NO CAP), FROM WHICH THE NORTHWEST CORNER OF SAID PARCEL 3, SAID POINT ALSO BEING THE SOUTHWEST CORNER OF THAT RIGHT-OF-WAY PARCEL AS DESCRIBED IN DEED RECORDED UNDER RECEPTION NO. 206076668 OF SAID COUNTY RECORDS, AS MONUMENTED BY A 5/8" REBAR WITH ORANGE CAP STAMPED "PLS 32439" BEARS N00°06'39"W (S00°06'40"E PER THAT DEED RECORDED UNDER SAID RECEPTION NO. 217125842), A DISTANCE OF 1262.77 FEET (1262.73 FEET OF RECORD)

BENCHMARK:
 SURVEY CONTROL POINTS AS SHOWN.
 ALL ELEVATION BASED UPON NGS DESIGNATION "4 BB RESET"
 ELEVATION = 7570.80 (NAVD 88 VERTICAL DATUM)

ROLLIN RIDGE Filing No. 1 Grading & Erosion Control Plans El Paso County, Colorado

PREPARED FOR:
TC&C LLC
 17572 Colonial Park Drive
 Monument, CO 80132



PREPARED BY:
19 East Willamette Avenue
Colorado Springs, Colorado 80903
September, 2020

AGENCIES/CONTACTS

DEVELOPER:	TC&C LLC 17572 COLONIAL PARK DRIVE MONUMENT, CO 80132 MR. CARL TURSE (719) 651-4013	GAS DEPARTMENT:	BLACK HILLS ENERGY MR. SEBASTIAN SCHWENDER (719)399-3176
CIVIL ENGINEER:	JPS ENGINEERING, INC. 19 E. WILLAMETTE AVENUE COLORADO SPRINGS, CO 80903 MR. JOHN P. SCHWAB, P.E. (719)477-9429	ELECTRIC DEPARTMENT:	MOUNTAIN VIEW ELECTRIC ASSOCIATION 11140 E. WOODMEN ROAD COLORADO SPRINGS, CO 80908 MR. DAVE WALDNER (719)495-2283
LOCAL ROADS & DRAINAGE:	EL PASO COUNTY PCD 2880 INTERNATIONAL CIRCLE COLORADO SPRINGS, CO 80910 (719) 520-6300	TELEPHONE COMPANY:	CENTURY LINK COMMUNICATIONS (LOCATORS) (800)922-1987 A.T. & T. (LOCATORS) (719)635-3674
STATE HIGHWAY	COLORADO DEPARTMENT OF TRANSPORTATION REGION 2 5615 WILLS BLVD. PUEBLO, CO 81008 MS. VALERIE SWORD (719)546-5407		

GEC PLAN SHEET INDEX

G1	TITLE SHEET
G2	GENERAL NOTES & LEGEND
C1.1	SITE GRADING & EROSION CONTROL PLAN
C1.2	NORTHEAST SITE GRADING & EROSION CONTROL PLAN
C2.1	EROSION CONTROL NOTES
C2.2	EROSION CONTROL DETAILS
C3.1	DETENTION POND A PLAN & DETAILS
C3.2	DETENTION POND B PLAN & DETAILS

ENGINEER:

DESIGN ENGINEER'S STATEMENT:

THESE DETAILED PLANS AND SPECIFICATIONS WERE PREPARED UNDER MY DIRECTION AND SUPERVISION. SAID PLANS AND SPECIFICATIONS HAVE BEEN PREPARED ACCORDING TO THE CRITERIA ESTABLISHED BY THE COUNTY FOR DETAILED ROADWAY, DRAINAGE, GRADING AND EROSION CONTROL PLANS AND SPECIFICATIONS, AND SAID PLANS AND SPECIFICATIONS ARE IN CONFORMITY WITH APPLICABLE MASTER DRAINAGE PLANS AND MASTER TRANSPORTATION PLANS. SAID PLANS AND SPECIFICATIONS MEET THE PURPOSES FOR WHICH THE PARTICULAR ROADWAY AND DRAINAGE FACILITIES ARE DESIGNED AND ARE CORRECT TO THE BEST OF MY KNOWLEDGE AND BELIEF. I ACCEPT RESPONSIBILITY FOR LIABILITY CAUSED BY NEGLIGENT ACTS, ERRORS OR OMISSIONS ON MY PART IN PREPARATION OF THESE DETAILED PLANS AND SPECIFICATIONS.

John P. Schwab
 JOHN P. SCHWAB, P.E. #29891 9/19/20 DATE

OWNER/DEVELOPER'S STATEMENT:

I, THE OWNER/DEVELOPER HAVE READ AND WILL COMPLY WITH ALL OF THE REQUIREMENTS SPECIFIED IN THESE DETAILED PLANS AND SPECIFICATIONS.

Carl Turse
 TC&C LLC 9-9-2020 DATE

TC&C LLC
 17572 COLONIAL PARK DRIVE
 MONUMENT, COLORADO 80132

EL PASO COUNTY:

COUNTY PLAN REVIEW IS PROVIDED ONLY FOR GENERAL CONFORMANCE WITH COUNTY DESIGN CRITERIA. THE COUNTY IS NOT RESPONSIBLE FOR THE ACCURACY AND ADEQUACY OF THE DESIGN, DIMENSIONS, AND/OR ELEVATIONS WHICH SHALL BE CONFIRMED AT THE JOB SITE. THE COUNTY THROUGH THE APPROVAL OF THIS DOCUMENT ASSUMES NO RESPONSIBILITY FOR COMPLETENESS AND/OR ACCURACY OF THIS DOCUMENT.

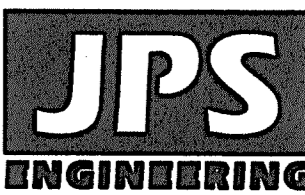
FILED IN ACCORDANCE WITH THE REQUIREMENTS OF THE EL PASO COUNTY LAND DEVELOPMENT CODE, DRAINAGE CRITERIA MANUAL, VOLUMES 1 AND 2, AND ENGINEERING CRITERIA MANUAL AS AMENDED.

IN ACCORDANCE WITH ECM SECTION 1.12, THESE CONSTRUCTION DOCUMENTS WILL BE VALID FOR CONSTRUCTION FOR A PERIOD OF 2 YEARS FROM THE DATE SIGNED BY THE EL PASO COUNTY ENGINEER. IF CONSTRUCTION HAS NOT STARTED WITHIN THOSE 2 YEARS, THEY WILL NEED TO BE RESUBMITTED FOR APPROVAL, INCLUDING PAYMENT OF REVIEW FEES AT THE PLANNING AND COMMUNITY DEVELOPMENT DIRECTOR'S DISCRETION.

JENNIFER IRVINE, P.E. DATE
 COUNTY ENGINEER / ECM ADMINISTRATOR

PCD FILE NO. SF-19-022

ROLLIN RIDGE ESTATES - FILING NO. 1



19 E. Willamette Ave.
 Colorado Springs, CO
 80903
 PH: 719-477-9429
 FAX: 719-471-0766
 www.jpsengr.com



CALL UTILITY NOTIFICATION
 CENTER OF COLORADO
 1-800-922-1987
 CALL 2-BUSINESS DAYS IN ADVANCE
 BEFORE THE MARKING OF UNDERGROUND
 MEMBER UTILITIES.

BY	DATE	REVISION
JPS	10/21/19	FINAL PLAT SUBMITTAL
JPS	2/28/20	COUNTY COMMENTS
JPS	5/13/20	COUNTY COMMENTS
JPS	7/16/20	COUNTY COMMENTS
JPS	9/08/20	COUNTY COMMENTS

**GEC PLAN
TITLE SHEET**

HORIZ. SCALE:	HS	DRAWN:	BUJ
VERT. SCALE:	VS	DESIGNED:	JPS
SURVEYED:	RAMPART	CHECKED:	JPS
CREATED:	8/13/19	LAST MODIFIED:	9/08/20
PROJECT NO.:	081702	MODIFIED BY:	BUJ

G1

COUNTY GENERAL NOTES:

- ALL DRAINAGE AND ROADWAY CONSTRUCTION SHALL MEET THE STANDARDS AND SPECIFICATIONS OF THE CITY OF COLORADO SPRINGS/EL PASO COUNTY DRAINAGE CRITERIA MANUAL, VOLUMES 1 AND 2, AND THE EL PASO COUNTY ENGINEERING CRITERIA MANUAL.
- CONTRACTOR SHALL BE RESPONSIBLE FOR THE NOTIFICATION AND FIELD LOCATION OF ALL EXISTING UTILITIES, WHETHER SHOWN ON THE PLANS OR NOT, BEFORE BEGINNING CONSTRUCTION. LOCATION OF EXISTING UTILITIES SHALL BE VERIFIED BY THE CONTRACTOR PRIOR TO CONSTRUCTION. CALL 811 TO CONTACT THE UTILITY NOTIFICATION CENTER OF COLORADO (UNCC).
- CONTRACTOR SHALL KEEP A COPY OF THESE APPROVED PLANS, THE GRADING AND EROSION CONTROL PLAN, THE STORMWATER MANAGEMENT PLAN (SWMP), THE SOILS AND GEOTECHNICAL REPORT, AND THE APPROPRIATE DESIGN AND CONSTRUCTION STANDARDS AND SPECIFICATIONS AT THE JOB SITE AT ALL TIMES, INCLUDING THE FOLLOWING:
 - EL PASO COUNTY ENGINEERING CRITERIA MANUAL (ECM)
 - CITY OF COLORADO SPRINGS/EL PASO COUNTY DRAINAGE CRITERIA MANUAL, VOLUMES 1 AND 2
 - COLORADO DEPARTMENT OF TRANSPORTATION (CDOT) STANDARD SPECIFICATIONS FOR ROAD AND BRIDGE CONSTRUCTION
 - CDOT M & S STANDARDS
- NOTWITHSTANDING ANYTHING DEPICTED IN THESE PLANS IN WORDS OR GRAPHIC REPRESENTATION, ALL DESIGN AND CONSTRUCTION RELATED TO ROADS, STORM DRAINAGE AND EROSION CONTROL SHALL CONFORM TO THE STANDARDS AND REQUIREMENTS OF THE MOST RECENT VERSION OF THE RELEVANT ADOPTED EL PASO COUNTY STANDARDS, INCLUDING THE LAND DEVELOPMENT CODE, THE DRAINAGE CRITERIA MANUAL, AND THE DRAINAGE CRITERIA MANUAL VOLUME 2. ANY DEVIATIONS FROM REGULATIONS AND STANDARDS MUST BE REQUESTED, AND APPROVED, IN WRITING. ANY MODIFICATIONS NECESSARY TO MEET CRITERIA AFTER-THE-FACT WILL BE ENTIRELY THE DEVELOPER'S RESPONSIBILITY TO RECTIFY.
- IT IS THE DESIGN ENGINEER'S RESPONSIBILITY TO ACCURATELY SHOW EXISTING CONDITIONS, BOTH ONSITE AND OFFSITE, ON THE CONSTRUCTION PLANS. ANY MODIFICATIONS NECESSARY DUE TO CONFLICTS, OMISSIONS, OR CHANGED CONDITIONS WILL BE ENTIRELY THE DEVELOPER'S RESPONSIBILITY TO RECTIFY.
- CONTRACTOR SHALL SCHEDULE A PRE-CONSTRUCTION MEETING WITH EL PASO COUNTY PLANNING AND COMMUNITY DEVELOPMENT DEPARTMENT (PCD) - INSPECTIONS, PRIOR TO STARTING CONSTRUCTION.
- IT IS THE CONTRACTOR'S RESPONSIBILITY TO UNDERSTAND THE REQUIREMENTS OF ALL JURISDICTIONAL AGENCIES AND TO OBTAIN ALL REQUIRED PERMITS, INCLUDING BUT NOT LIMITED TO EL PASO COUNTY EROSION AND STORMWATER QUALITY CONTROL PERMIT (ESQCP), REGIONAL BUILDING FLOODPLAIN DEVELOPMENT PERMIT, U.S. ARMY CORPS OF ENGINEERS-ISSUED 401 AND/OR 404 PERMITS, AND COUNTY AND STATE FUGITIVE DUST PERMITS.
- CONTRACTOR SHALL NOT DEVIATE FROM THE PLANS WITHOUT FIRST OBTAINING WRITTEN APPROVAL FROM THE DESIGN ENGINEER AND DSD. CONTRACTOR SHALL NOTIFY THE DESIGN ENGINEER IMMEDIATELY UPON DISCOVERY OF ANY ERRORS OR INCONSISTENCIES.
- ALL STORM DRAIN PIPE SHALL BE CLASS III RCP WITH CLASS B BEDDING UNLESS OTHERWISE NOTED AND APPROVED BY PCD.
- CONTRACTOR SHALL COORDINATE GEOTECHNICAL TESTING PER ECM STANDARDS. PAVEMENT DESIGN SHALL BE APPROVED BY EL PASO COUNTY PCD PRIOR TO PLACEMENT OF CURB AND GUTTER AND PAVEMENT.
- ALL CONSTRUCTION TRAFFIC MUST ENTER/EXIT THE SITE AT APPROVED CONSTRUCTION ACCESS POINTS.
- SIGHT VISIBILITY TRIANGLES AS IDENTIFIED IN THE PLANS SHALL BE PROVIDED AT ALL INTERSECTIONS. OBSTRUCTIONS GREATER THAN 18 INCHES ABOVE FLOWLINE ARE NOT ALLOWED WITHIN SIGHT TRIANGLES.
- SIGNING AND STRIPING SHALL COMPLY WITH EL PASO DEPARTMENT OF PUBLIC WORKS (DPW) AND MUTCD CRITERIA.
- CONTRACTOR SHALL OBTAIN ANY PERMITS REQUIRED BY EL PASO DEPARTMENT OF PUBLIC WORKS (DPW), INCLUDING WORK WITHIN THE RIGHT-OF-WAY AND SPECIAL TRANSPORT PERMITS.
- THE LIMITS OF CONSTRUCTION SHALL REMAIN WITHIN THE PROPERTY LINE UNLESS OTHERWISE NOTED. THE OWNER/DEVELOPER SHALL OBTAIN WRITTEN PERMISSION AND EASEMENTS, WHERE REQUIRED, FROM ADJOINING PROPERTY OWNER(S) PRIOR TO ANY OFF-SITE DISTURBANCE, GRADING, OR CONSTRUCTION.

PROJECT GENERAL NOTES:

- EXISTING CONTOUR DATA CONSISTS OF AERIAL TOPOGRAPHIC SURVEY DATA PROVIDED BY OWNER. JPS ENGINEERING TAKES NO RESPONSIBILITY FOR THE ACCURACY OF EXISTING TOPOGRAPHIC MAPPING.
- STATIONING IS AT CENTERLINE UNLESS OTHERWISE NOTED. ALL ELEVATIONS ARE AT EDGE OF ASPHALT (EOA) UNLESS OTHERWISE NOTED. ALL DIMENSIONS ARE FROM EDGE OF ASPHALT TO EDGE OF ASPHALT UNLESS OTHERWISE NOTED.
- PROPOSED CONTOURS SHOWN ARE TO FINISHED GRADE.
- LENGTHS SHOWN FOR STORM SEWER PIPES ARE TO CENTER OF MANHOLE.
- CONTRACTOR SHALL REMOVE AND DISPOSE OF ALL EXISTING STRUCTURES, DEBRIS, WASTE AND OTHER UNSUITABLE FILL MATERIAL FOUND WITHIN THE LIMITS OF EXCAVATION.
- MATCH INTO EXISTING GRADES AT 3:1 MAX CUT AND FILL SLOPES.
- REVEGETATION OF ALL DISTURBED AREAS SHALL BE DONE WITH SPECIFIED SEED MIX WITHIN 60 DAYS AFTER FINE GRADING IS COMPLETE.
- EROSION CONTROL SHALL CONSIST OF SILT FENCE AND BMP'S AS SHOWN ON THE DRAWING, AND TOPSOIL WITH GRASS SEED, WHICH WILL BE WATERED UNTIL VEGETATION HAS BEEN REESTABLISHED.
- THE EROSION CONTROL MEASURES OUTLINED ON THIS PLAN ARE THE RESPONSIBILITY OF THE DEVELOPER TO MONITOR AND REPLACE, REGRADE, AND REBUILD AS NECESSARY UNTIL VEGETATION IS RE-ESTABLISHED.
- EROSION CONTROL MEASURES SHALL BE IMPLEMENTED IN A MANNER THAT WILL PROTECT ADJACENT PROPERTIES AND PUBLIC FACILITIES FROM THE ADVERSE EFFECTS OF EROSION AND SEDIMENTATION AS A RESULT OF CONSTRUCTION AND EARTHWORK ACTIVITIES WITHIN THE PROJECT SITE.
- ADDITIONAL EROSION CONTROL MEASURES MAY BE REQUIRED AS DETERMINED BY SITE CONDITIONS.
- THE CONTRACTOR WILL TAKE THE NECESSARY PRECAUTIONS TO PROTECT EXISTING UTILITIES FROM DAMAGE DUE TO THIS OPERATION. ANY DAMAGE TO THE UTILITIES WILL BE REPAIRED AT THE CONTRACTOR'S EXPENSE, AND ANY SERVICE DISRUPTION WILL BE SETTLED BY THE CONTRACTOR.
- ALL BACKFILL, SUB-BASE, AND/OR BASE COURSE MATERIAL SHALL BE COMPACTED PER EL PASO COUNTY AND CDOT STANDARDS AND SPECIFICATIONS.
- ALL FINISHED GRADES SHALL HAVE A MINIMUM 1.0% SLOPE TO PROVIDE POSITIVE DRAINAGE.
- IN CASE OF CONFLICT BETWEEN PROPOSED SLOPES AND PROPOSED SPOT ELEVATIONS, SPOT ELEVATIONS SHALL GOVERN.
- CONTRACTOR SHALL OBTAIN ALL REQUIRED PERMITS PRIOR TO BEGINNING WORK.

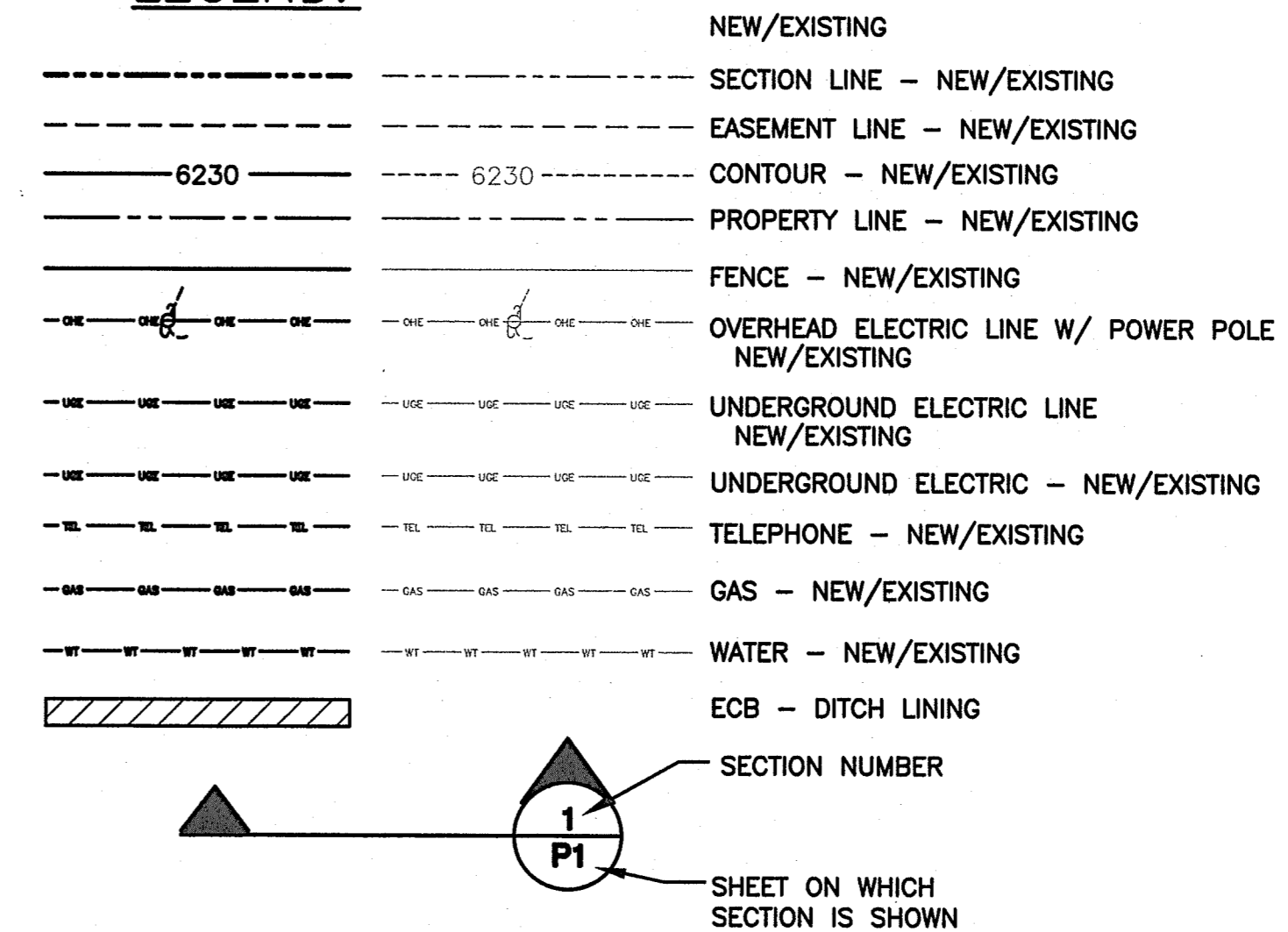
GENERAL DRAINAGE & GRADING NOTES:

- INDIVIDUAL BUILDERS SHALL PROVIDE POSITIVE DRAINAGE AWAY FROM STRUCTURES AND ACCOUNT FOR POTENTIAL CROSS-LOT DRAINAGE IMPACTS WITHIN EACH LOT.
- BUILDERS AND PROPERTY OWNERS SHALL IMPLEMENT & MAINTAIN EROSION CONTROL BEST MANAGEMENT PRACTICES FOR PROTECTION OF DOWNSTREAM PROPERTIES AND FACILITIES INCLUDING PROTECTION OF EXISTING GRASS BUFFER STRIPS ALONG THE DOWNSTREAM PROPERTY BOUNDARIES.
- GRADING AND DRAINAGE WITHIN LOTS IS THE RESPONSIBILITY OF THE INDIVIDUAL BUILDERS AND PROPERTY OWNERS.
- FINAL GRADING TO COMPLY WITH H.U.D. STANDARDS CONTAINED IN SECTION 310 AND 602 OF THE MINIMUM PROPERTY STANDARDS (MPS) 4900.1. HANDBOOK 4140.3 CHG (DATA SHEET 79g), IF APPLICABLE, AND ALL LEGAL STANDARDS.

COUNTY SIGNING AND STRIPING NOTES:

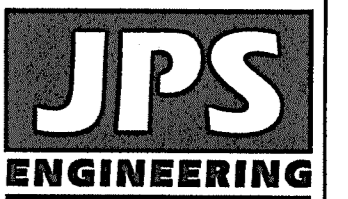
- ALL SIGNS AND PAVEMENT MARKINGS SHALL BE IN COMPLIANCE WITH THE CURRENT MANUAL ON UNIFORM TRAFFIC CONTROL DEVICES (MUTCD).
- REMOVAL OF EXISTING PAVEMENT MARKINGS SHALL BE ACCOMPLISHED BY A METHOD THAT DOES NOT MATERIALLY DAMAGE THE PAVEMENT. THE PAVEMENT MARKINGS SHALL BE REMOVED TO THE EXTENT THAT THEY WILL NOT BE VISIBLE UNDER DAY OR NIGHT CONDITIONS. AT NO TIME WILL IT BE ACCEPTABLE TO PAINT OVER EXISTING PAVEMENT MARKINGS.
- ANY DEVIATION FROM THE STRIPING AND SIGNING PLAN SHALL BE APPROVED BY EL PASO COUNTY PLANNING AND COMMUNITY DEVELOPMENT DEPARTMENT (PCD).
- ALL SIGNS SHOWN ON THE SIGNING AND STRIPING PLAN SHALL BE NEW SIGNS. EXISTING SIGNS MAY REMAIN OR BE REUSED IF THEY MEET CURRENT EL PASO COUNTY AND MUTCD STANDARDS.
- STREET NAME AND REGULATORY STOP SIGNS SHALL BE ON THE SAME POST AT INTERSECTIONS.
- ALL REMOVED SIGNS SHALL BE DISPOSED OF IN A PROPER MANNER BY THE CONTRACTOR.
- ALL STREET NAME SIGNS SHALL HAVE "D" SERIES LETTERS, WITH LOCAL ROADWAY SIGNS BEING 4" UPPER-LOWER CASE LETTERING ON 8" BLANK AND NON-LOCAL ROADWAY SIGNS BEING 6" LETTERING, UPPER-LOWER CASE ON 12" BLANK, WITH WHITE BORDER THAT IS NOT RECESSED. MULTI-LANE ROADWAYS WITH SPEED LIMITS OF 40 MPH OR HIGHER SHALL HAVE 8" UPPER-LOWER CASE LETTERING ON 18" BLANK WITH A WHITE BORDER THAT IS NOT RECESSED. THE WIDTH OF THE NON-RECESSED WHITE BORDERS SHALL MATCH PAGE 255 OF THE 2012 MUTCD "STANDARD HIGHWAY SIGNS".
- ALL TRAFFIC SIGNS SHALL HAVE A MINIMUM HIGH INTENSITY PRISMATIC GRADE SHEETING.
- ALL LOCAL RESIDENTIAL STREET SIGNS SHALL BE MOUNTED ON A 1.75" X 1.75" SQUARE TUBE SIGN POST AND STUB POST BASE. FOR OTHER APPLICATIONS, REFER TO THE CDOT STANDARD S-614-8 REGARDING USE OF THE P2 TUBULAR STEEL POST SLIPBASE DESIGN.
- ALL SIGNS SHALL BE SINGLE SHEET ALUMINUM WITH 0.100" MINIMUM THICKNESS.
- ALL LIMIT LINES/STOP LINES, CROSSWALK LINES, PAVEMENT LEGENDS, AND ARROWS SHALL BE A MINIMUM 125 MIL THICKNESS PREFORMED THERMOPLASTIC PAVEMENT MARKINGS WITH TAPERED LEADING EDGES PER CDOT STANDARD S-627-1. WORD AND SYMBOL MARKINGS SHALL BE THE NARROW TYPE. STOP BARS SHALL BE 24" IN WIDTH. CROSSWALKS LINES SHALL BE 12" WIDE AND 8' LONG PER CDOT S-627-1.
- ALL LONGITUDINAL LINES SHALL BE A MINIMUM 15MIL THICKNESS EPOXY PAINT. ALL NON-LOCAL RESIDENTIAL ROADWAYS SHALL INCLUDE BOTH RIGHT AND LEFT EDGE LINE STRIPING AND ANY ADDITIONAL STRIPING AS REQUIRED BY CDOT S-627-1.
- THE CONTRACTOR SHALL NOTIFY EL PASO COUNTY PLANNING AND COMMUNITY DEVELOPMENT DEPARTMENT (PCD) (719) 520-6819 PRIOR TO AND UPON COMPLETION OF SIGNING AND STRIPING.
- THE CONTRACTOR SHALL OBTAIN A WORK IN THE RIGHT OF WAY PERMIT FROM THE EL PASO COUNTY DEPARTMENT OF PUBLIC WORKS PRIOR TO ANY SIGNAGE OR STRIPING WORK WITHIN AN EXISTING EL PASO COUNTY ROADWAY.

LEGEND:

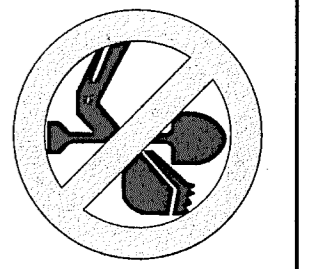


ROLLIN RIDGE - FILING NO. 1

GENERAL NOTES & LEGEND



19 E. Willamette Ave.
Colorado Springs, CO
80903
PH: 719-477-9429
FAX: 719-471-0766
www.jpsegr.com



CALL UTILITY NOTIFICATION CENTER OF COLORADO
1-800-922-1987
CALL 2-BUSINESS DAYS IN ADVANCE FOR THE MARKING OF UNDERGROUND MEMBER UTILITIES.

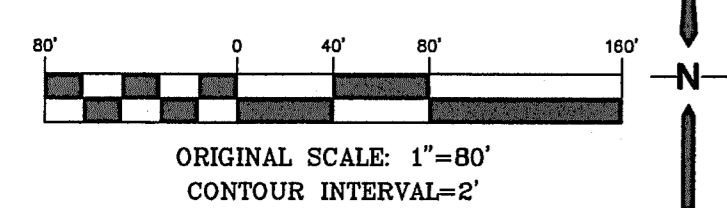
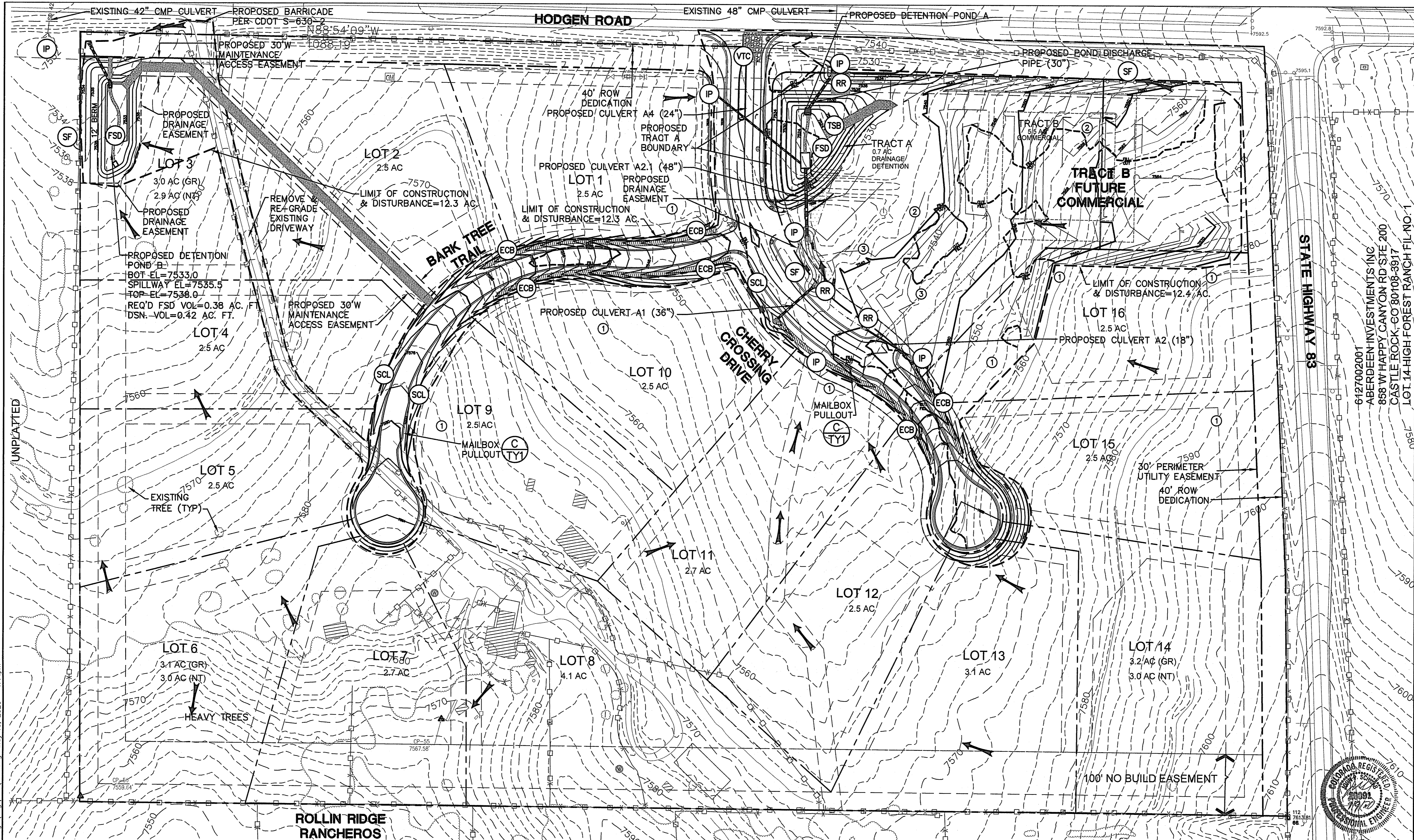
No.	REVISION	DATE
1	FINAL PLAT SUBMITTAL	10/21/19
2	COUNTY COMMENTS	2/28/20

HORIZ. SCALE:	HS	DRAWN:	BJJ
VERT. SCALE:	VS	DESIGNED:	JPS
SURVEYED:	RAMPART	CHECKED:	JPS
CREATED:	8/29/19	LAST MODIFIED:	2/28/20
PROJECT NO:	081702	MODIFIED BY:	JPS

SHEET: **G2**

PCD FILE NO. SF-19-022

C:\Users\Owner\Desktop\Projects\081702\rollin-ridge\rollin-ridge.dwg Civil C1.1.dwg May 13, 2020 - 1:14pm



BENCHMARK:
SURVEY CONTROL POINTS AS SHOWN.
ALL ELEVATION BASED UPON NGS
DESIGNATION "4 BB RESET"
ELEVATION = 7570.80 (NAVD 88
VERTICAL DATUM)

KEYED NOTES:

- ① CONTRACTOR MAY WASTE EXCESS CUT MATERIAL OR BORROW SUITABLE FILL MATERIAL FROM THIS AREA. MATCH INTO EXISTING GRADES WITH 3:1 MAX CUT AND FILL SLOPES AND MAINTAIN POSITIVE DRAINAGE IN ALL AREAS. ANY PERMANENT BERMS SHALL BE REVIEWED AND APPROVED BY EL PASO COUNTY.
- ② TOPSOIL STOCKPILE AREA
- ③ CONTRACTOR STAGING/EQUIPMENT STORAGE AREA

ESTIMATED EARTHWORK QUANTITY:
UNCLASSIFIED EXCAVATION (TOTAL CUT) = 14,461 CY
* EMBANKMENT FILL = 29,188 CY
NET (FILL) = 14,727 CY
* (ASSUMES 15% COMPACTION FACTOR)

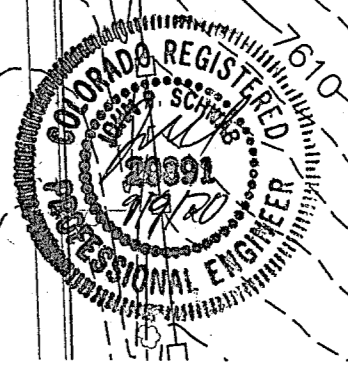
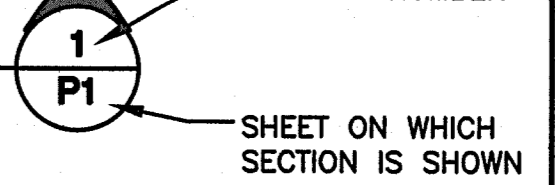
NOTE: THIS ESTIMATE IS PROVIDED FOR INFORMATION ONLY, REPRESENTING THE CALCULATED BULK EARTHWORK VOLUME TO FINISHED GRADE, EXCLUDING ANY ADJUSTMENT FOR PAVEMENT DEPTHS, ETC. CONTRACTOR SHALL MAKE HIS OWN DETERMINATION OF EARTHWORK QUANTITIES AS BASIS FOR BID PRICING AND NOTIFY ENGINEER OF ANY DISCREPANCIES.

EROSION CONTROL:

- (RR) RIPRAP
- (VTC) VEHICLE TRACKING PAD
- (SF) SILT FENCE
- (FSD) FULL-SPECTRUM DETENTION BASIN
- (SCL) SEDIMENT CONTROL LOG
- (ECB) EROSION CONTROL BLANKET
- (IP) INLET PROTECTION
- (TSB) TEMPORARY SEDIMENT BASIN

LEGEND:

- | | | | | | | | |
|-----|---|-----|-----|-----|-----|-----|----------------------|
| --- | NEW/EXISTING | --- | TEL | --- | TEL | --- | TELE - NEW/EXISTING |
| --- | SECTION LINE - NEW/EXISTING | --- | GAS | --- | GAS | --- | GAS - NEW/EXISTING |
| --- | EASEMENT LINE - NEW/EXISTING | --- | WT | --- | WT | --- | WATER - NEW/EXISTING |
| --- | CONTOUR - NEW/EXISTING | --- | --- | --- | --- | --- | --- |
| --- | PROPERTY LINE - NEW/EXISTING | --- | --- | --- | --- | --- | --- |
| --- | FENCE - NEW/EXISTING | --- | --- | --- | --- | --- | --- |
| --- | OVERHEAD ELECTRIC LINE W/ POWER POLE NEW/EXISTING | --- | --- | --- | --- | --- | --- |
| --- | UNDERGROUND ELECTRIC LINE NEW/EXISTING | --- | --- | --- | --- | --- | --- |
| --- | UNDERGROUND ELECTRIC - NEW/EXISTING | --- | --- | --- | --- | --- | --- |



ROLLIN RIDGE - FILING NO. 1

SITE GRADING & EROSION CONTROL PLAN

JPS ENGINEERING

19 E. Willamette Ave.
Colorado Springs, CO 80903
PH: 719-477-8429
FAX: 719-477-0766
www.jpsengr.com

CALL UTILITY NOTIFICATION CENTER OF COLORADO 1-800-922-1987 BEFORE YOU DIG, GRADE, OR EXCAVATE FOR THE MEMBER UTILITIES.	NO. 1	DATE	BY
	REVISION	DATE	BY
FINAL PLAN SUBMITTAL	10/25/19	JPS	JPS
COUNTY COMMENTS	2/28/20	JPS	JPS
COUNTY COMMENTS	5/13/20	JPS	JPS

HORIZ. SCALE: 1"=80'

VERT. SCALE: N/A

SURVEYED: RAMPART

CREATED: 9/12/17

PROJECT NO: 081702

SHEET: C1.1

DRAWN: BJJ

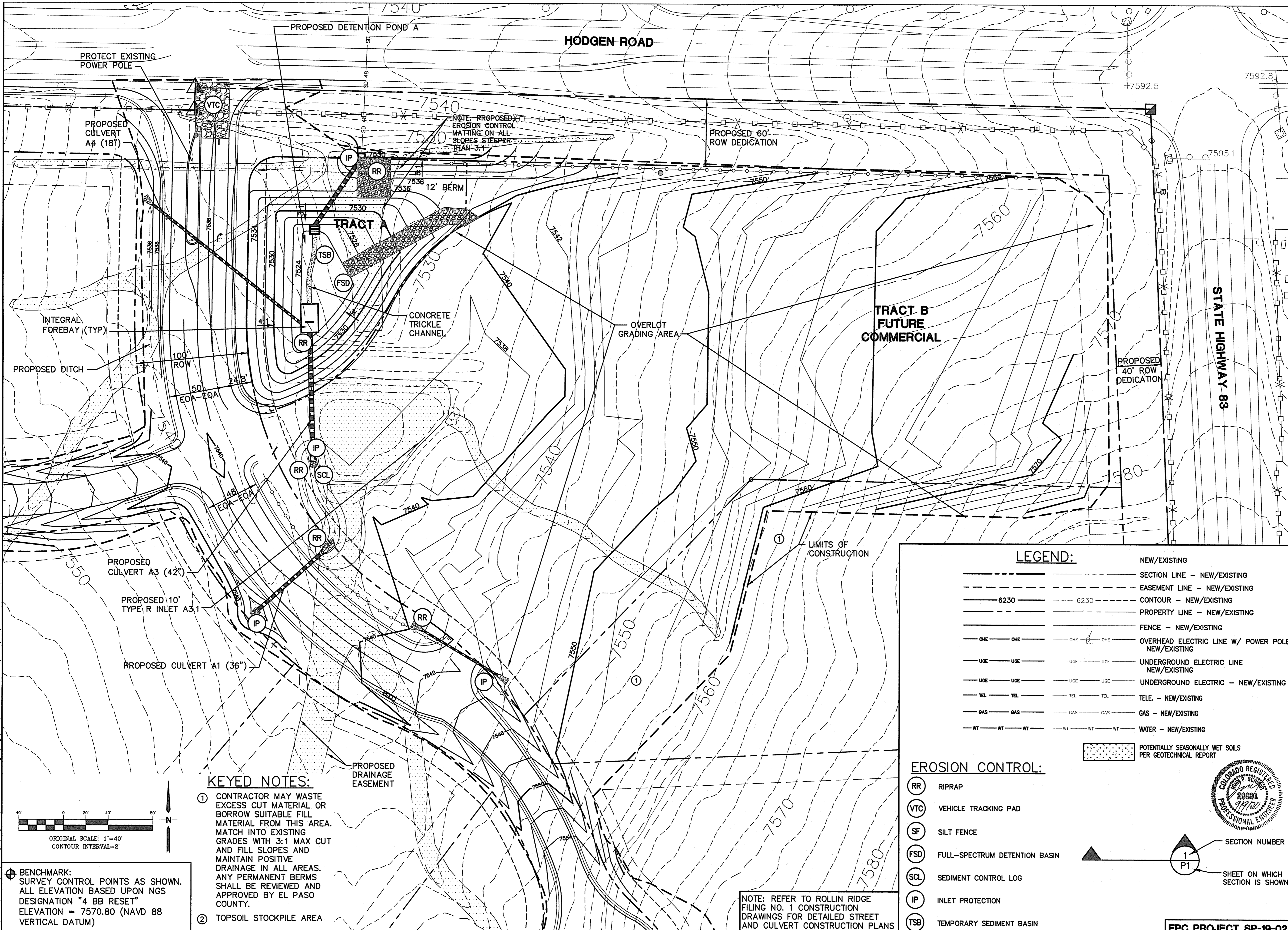
DESIGNED: JPS

CHECKED: JPS

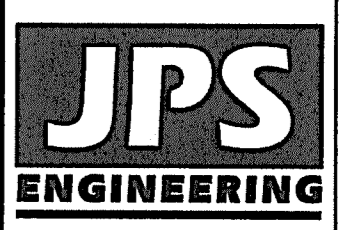
LAST MODIFIED: 9/13/20

MODIFIED BY: BJJ

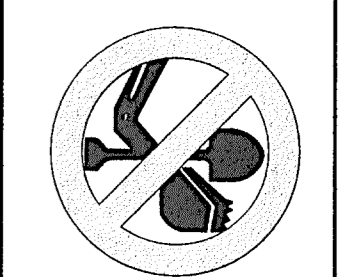
PCD FILE NO. SF-19-022



ROLLIN RIDGE - FILING NO. 1



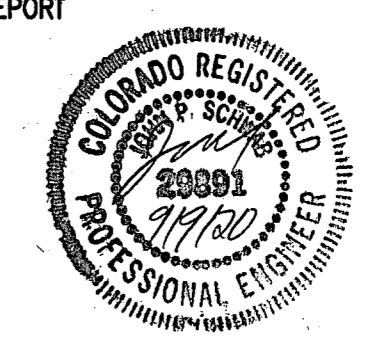
19 E. Willamette Ave.
Colorado Springs, CO
80903
PH: 719-477-9429
FAX: 719-471-0766
www.jpsegr.com



CALL UTILITY NOTIFICATION
CENTER OF COLORADO
1-800-922-1987
CALL 2-BUSINESS DAYS IN ADVANCE
BEFORE YOU DIG, GRADE, OR EXCAVATE
FOR THE MEMBER UTILITIES.

No.	REVISION	DATE	BY
1	COUNTY COMMENTS	8/30/18	JPS
2	COUNTY COMMENTS	10/19/18	JPS
3	COUNTY COMMENTS	8/28/19	JPS
4	COUNTY COMMENTS	2/28/20	JPS
5	COUNTY COMMENTS	5/13/20	JPS

NORTHEAST SITE OVERLOT GRADING PLAN

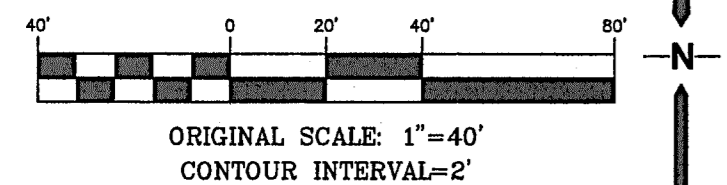


LEGEND:

---	SECTION LINE - NEW/EXISTING
---	EASEMENT LINE - NEW/EXISTING
---	CONTOUR - NEW/EXISTING
---	PROPERTY LINE - NEW/EXISTING
---	FENCE - NEW/EXISTING
---	OVERHEAD ELECTRIC LINE W/ POWER POLE NEW/EXISTING
---	UNDERGROUND ELECTRIC LINE NEW/EXISTING
---	UNDERGROUND ELECTRIC - NEW/EXISTING
---	TELE - NEW/EXISTING
---	GAS - NEW/EXISTING
---	WATER - NEW/EXISTING

- EROSION CONTROL:**
- RR RIPRAP
 - VTC VEHICLE TRACKING PAD
 - SF SILT FENCE
 - FSD FULL-SPECTRUM DETENTION BASIN
 - SCL SEDIMENT CONTROL LOG
 - IP INLET PROTECTION
 - TBS TEMPORARY SEDIMENT BASIN

- KEYED NOTES:**
- 1 CONTRACTOR MAY WASTE EXCESS CUT MATERIAL OR BORROW SUITABLE FILL MATERIAL FROM THIS AREA. MATCH INTO EXISTING GRADES WITH 3:1 MAX CUT AND FILL SLOPES AND MAINTAIN POSITIVE DRAINAGE IN ALL AREAS. ANY PERMANENT BERMS SHALL BE REVIEWED AND APPROVED BY EL PASO COUNTY.
 - 2 TOPSOIL STOCKPILE AREA



BENCHMARK:
SURVEY CONTROL POINTS AS SHOWN.
ALL ELEVATION BASED UPON NGS
DESIGNATION "4 BB RESET"
ELEVATION = 7570.80 (NAVD 88
VERTICAL DATUM)

NOTE: REFER TO ROLLIN RIDGE
FILING NO. 1 CONSTRUCTION
DRAWINGS FOR DETAILED STREET
AND CULVERT CONSTRUCTION PLANS

EPC PROJECT SP-19-022

HORIZ. SCALE: 1"=40'	DRAWN: BJJ
VERT. SCALE: N/A	DESIGNED: JPS
SURVEYED: RAMPART	CHECKED: JPS
CREATED: 4/27/18	LAST MODIFIED: 7/3/20
PROJECT NO: 081702	MODIFIED BY: BJJ
SHEET:	

C1.2

C:\Users\Owner\Dropbox\paprojects\081702\rollin-ridge\dwg\civil\C1.2 - overlot.dwg May 13, 2020 1:12pm

STANDARD NOTES FOR EL PASO COUNTY GRADING AND EROSION CONTROL PLANS:

REVISED 7/02/19

1. STORMWATER DISCHARGES FROM CONSTRUCTION SITES SHALL NOT CAUSE OR THREATEN TO CAUSE POLLUTION, CONTAMINATION, OR DEGRADATION OF STATE WATERS. ALL WORK AND EARTH DISTURBANCE SHALL BE DONE IN A MANNER THAT MINIMIZES POLLUTION OF ANY ON-SITE OR OFF-SITE WATERS, INCLUDING WETLANDS.
2. NOTWITHSTANDING ANYTHING DEPICTED IN THESE PLANS IN WORDS OR GRAPHIC REPRESENTATION, ALL DESIGN AND CONSTRUCTION RELATED TO ROADS, STORM DRAINAGE AND EROSION CONTROL SHALL CONFORM TO THE STANDARDS AND REQUIREMENTS OF THE MOST RECENT VERSION OF THE RELEVANT ADOPTED EL PASO COUNTY STANDARDS, INCLUDING THE LAND DEVELOPMENT CODE, THE ENGINEERING CRITERIA MANUAL, THE DRAINAGE CRITERIA MANUAL, AND THE DRAINAGE CRITERIA MANUAL VOLUME 2. ANY DEVIATIONS FROM REGULATIONS AND STANDARDS MUST BE REQUESTED, AND APPROVED, IN WRITING.
3. A SEPARATE STORMWATER MANAGEMENT PLAN (SMWP) FOR THIS PROJECT SHALL BE COMPLETED AND AN EROSION AND STORMWATER QUALITY CONTROL PERMIT (ESQCP) ISSUED PRIOR TO COMMENCING CONSTRUCTION. MANAGEMENT OF THE SWMP DURING CONSTRUCTION IS THE RESPONSIBILITY OF THE DESIGNATED QUALIFIED STORMWATER MANAGER OR CERTIFIED EROSION CONTROL INSPECTOR. THE SWMP SHALL BE LOCATED ON SITE AT ALL TIMES DURING CONSTRUCTION AND SHALL BE KEPT UP TO DATE WITH WORK PROGRESS AND CHANGES IN THE FIELD.
4. ONCE THE ESQCP IS APPROVED AND A "NOTICE TO PROCEED" HAS BEEN ISSUED, THE CONTRACTOR MAY INSTALL THE INITIAL STAGE EROSION AND SEDIMENT CONTROL MEASURES AS INDICATED ON THE APPROVED GEC. A PRECONSTRUCTION MEETING BETWEEN THE CONTRACTOR, ENGINEER, AND EL PASO COUNTY WILL BE HELD PRIOR TO ANY CONSTRUCTION. IT IS THE RESPONSIBILITY OF THE APPLICANT TO COORDINATE THE MEETING TIME AND PLACE WITH COUNTY STAFF.
5. CONTROL MEASURES MUST BE INSTALLED PRIOR TO COMMENCEMENT OF ACTIVITIES THAT COULD CONTRIBUTE POLLUTANTS TO STORMWATER. CONTROL MEASURES FOR ALL SLOPES, CHANNELS, DITCHES, AND DISTURBED LAND AREAS SHALL BE INSTALLED IMMEDIATELY UPON COMPLETION OF THE DISTURBANCE.
6. ALL TEMPORARY SEDIMENT AND EROSION CONTROL MEASURES SHALL BE MAINTAINED AND REMAIN IN EFFECTIVE OPERATING CONDITION UNTIL PERMANENT SOIL EROSION CONTROL MEASURES ARE IMPLEMENTED AND FINAL STABILIZATION IS ESTABLISHED. ALL PERSONS ENGAGED IN LAND DISTURBANCE ACTIVITIES SHALL ASSESS THE ADEQUACY OF CONTROL MEASURES AT THE SITE AND IDENTIFY IF CHANGES TO THOSE CONTROL MEASURES ARE NEEDED TO ENSURE THE CONTINUED EFFECTIVE PERFORMANCE OF THE CONTROL MEASURES. ALL CHANGES TO TEMPORARY SEDIMENT AND EROSION CONTROL MEASURES MUST BE INCORPORATED INTO THE STORMWATER MANAGEMENT PLAN.
7. TEMPORARY STABILIZATION SHALL BE IMPLEMENTED ON DISTURBED AREAS AND STOCKPILES WHERE GROUND DISTURBING CONSTRUCTION ACTIVITY HAS PERMANENTLY CEASED OR TEMPORARILY CEASED FOR LONGER THAN 14 DAYS.
8. FINAL STABILIZATION MUST BE IMPLEMENTED AT ALL APPLICABLE CONSTRUCTION SITES. FINAL STABILIZATION IS ACHIEVED WHEN ALL GROUND DISTURBING ACTIVITIES ARE COMPLETE AND ALL DISTURBED AREAS EITHER HAVE A UNIFORM VEGETATIVE COVER WITH INDIVIDUAL PLANT DENSITY OF 70 PERCENT OF PRE-DISTURBANCE LEVELS ESTABLISHED OR EQUIVALENT PERMANENT ALTERNATIVE STABILIZATION METHOD IS IMPLEMENTED. ALL TEMPORARY SEDIMENT AND EROSION CONTROL MEASURES SHALL BE REMOVED UPON FINAL STABILIZATION AND BEFORE PERMIT CLOSURE.
9. ALL PERMANENT STORMWATER MANAGEMENT FACILITIES SHALL BE INSTALLED AS DESIGNED IN THE APPROVED PLANS. ANY PROPOSED CHANGES THAT AFFECT THE DESIGN OR FUNCTION OF PERMANENT STORMWATER MANAGEMENT STRUCTURES MUST BE APPROVED BY THE ECM ADMINISTRATOR PRIOR TO IMPLEMENTATION.
10. EARTH DISTURBANCES SHALL BE CONDUCTED IN SUCH A MANNER SO AS TO EFFECTIVELY MINIMIZE ACCELERATED SOIL EROSION AND RESULTING SEDIMENTATION. ALL DISTURBANCES SHALL BE DESIGNED, CONSTRUCTED, AND COMPLETED SO THAT THE EXPOSED AREA OF ANY DISTURBED LAND SHALL BE LIMITED TO THE SHORTEST PRACTICAL PERIOD OF TIME. PRE-EXISTING VEGETATION SHALL BE PROTECTED AND MAINTAINED WITHIN 50 HORIZONTAL FEET OF A WATERS OF THE STATE UNLESS SHOWN TO BE INFEASIBLE AND SPECIFICALLY REQUESTED AND APPROVED.
11. COMPACTION OF SOIL MUST BE PREVENTED IN AREAS DESIGNATED FOR INFILTRATION CONTROL MEASURES OR WHERE FINAL STABILIZATION WILL BE ACHIEVED BY VEGETATIVE COVER. AREAS DESIGNATED FOR INFILTRATION CONTROL MEASURES SHALL ALSO BE PROTECTED FROM SEDIMENTATION DURING CONSTRUCTION UNTIL FINAL STABILIZATION IS ACHIEVED. IF COMPACTION PREVENTION IS NOT FEASIBLE DUE TO SITE CONSTRAINTS, ALL AREAS DESIGNATED FOR INFILTRATION AND VEGETATION CONTROL MEASURES MUST BE LOOSENED PRIOR TO INSTALLATION OF THE CONTROL MEASURE(S).
12. ANY TEMPORARY OR PERMANENT FACILITY DESIGNED AND CONSTRUCTED FOR THE CONVEYANCE OF STORMWATER AROUND, THROUGH, OR FROM THE EARTH DISTURBANCE AREA SHALL BE A STABILIZED CONVEYANCE DESIGNED TO MINIMIZE EROSION AND THE DISCHARGE OF SEDIMENT OFF SITE.
13. CONCRETE WASH WATER SHALL BE CONTAINED AND DISPOSED OF IN ACCORDANCE WITH THE SWMP. NO WASH WATER SHALL BE DISCHARGED TO OR ALLOWED TO ENTER STATE WATERS, INCLUDING ANY SURFACE OR SUBSURFACE STORM DRAINAGE SYSTEM OR FACILITIES. CONCRETE WASHOUTS SHALL NOT BE LOCATED IN AN AREA WHERE SHALLOW GROUNDWATER MAY BE PRESENT, OR WITHIN 50 FEET OF A SURFACE WATER BODY, CREEK OR STREAM.
14. DURING DEWATERING OPERATIONS OF UNCONTAMINATED GROUND WATER MAY BE DISCHARGED ON SITE, BUT SHALL NOT LEAVE THE SITE IN THE FORM OF SURFACE RUNOFF UNLESS AN APPROVED STATE DEWATERING PERMIT IS IN PLACE.
15. EROSION CONTROL BLANKETING OR OTHER PROTECTIVE COVERING SHALL BE USED ON SLOPES STEEPER THAN 3:1.
16. CONTRACTOR SHALL BE RESPONSIBLE FOR THE REMOVAL OF ALL WASTES FROM THE CONSTRUCTION SITE FOR DISPOSAL IN ACCORDANCE WITH LOCAL AND STATE REGULATORY REQUIREMENTS. NO CONSTRUCTION DEBRIS, TREE SLASH, BUILDING MATERIAL WASTES OR UNUSED BUILDING MATERIALS SHALL BE BURIED, DUMPED, OR DISCHARGED AT THE SITE.
17. WASTE MATERIALS SHALL NOT BE TEMPORARILY PLACED OR STORED IN THE STREET, ALLEY, OR OTHER PUBLIC WAY, UNLESS IN ACCORDANCE WITH AN APPROVED TRAFFIC CONTROL PLAN. CONTROL MEASURES MAY BE REQUIRED BY EL PASO COUNTY ENGINEERING IF DEEMED NECESSARY, BASED ON SPECIFIC CONDITIONS AND CIRCUMSTANCES.
18. TRACKING OF SOILS AND CONSTRUCTION DEBRIS OFF-SITE SHALL BE MINIMIZED. MATERIALS TRACKED OFF-SITE SHALL BE CLEANED UP AND PROPERLY DISPOSED OF IMMEDIATELY.
19. THE OWNER/DEVELOPER SHALL BE RESPONSIBLE FOR THE REMOVAL OF ALL CONSTRUCTION DEBRIS, DIRT, TRASH, ROCK, SEDIMENT, SOIL, AND SAND THAT MAY ACCUMULATE IN ROADS, STORM DRAINS AND OTHER DRAINAGE CONVEYANCE SYSTEMS AND STORMWATER APPURTENANCES AS A RESULT OF SITE DEVELOPMENT.
20. THE QUANTITY OF MATERIALS STORED ON THE PROJECT SITE SHALL BE LIMITED, AS MUCH AS PRACTICAL, TO THAT QUANTITY REQUIRED TO PERFORM THE WORK IN AN ORDERLY SEQUENCE. ALL MATERIALS STORED ON-SITE SHALL BE STORED IN A NEAT, ORDERLY MANNER, IN THEIR ORIGINAL CONTAINERS, WITH ORIGINAL MANUFACTURER'S LABELS.
21. NO CHEMICAL(S) HAVING THE POTENTIAL TO BE RELEASED IN STORMWATER ARE TO BE STORED OR USED ONSITE UNLESS PERMISSION FOR THE USE OF SUCH CHEMICAL(S) IS GRANTED IN WRITING BY THE ECM ADMINISTRATOR. IN GRANTING APPROVAL FOR THE USE OF SUCH CHEMICAL(S), SPECIAL CONDITIONS AND MONITORING MAY BE REQUIRED.
22. BULK STORAGE OF ALLOWED PETROLEUM PRODUCTS OR OTHER ALLOWED LIQUID CHEMICALS IN EXCESS OF 55 GALLONS SHALL REQUIRE ADEQUATE SECONDARY CONTAINMENT PROTECTION TO CONTAIN ALL SPILLS ONSITE AND TO PREVENT ANY SPILLED MATERIALS FROM ENTERING STATE WATERS, ANY SURFACE OR SUBSURFACE STORM DRAINAGE SYSTEM OR OTHER FACILITIES.
23. NO PERSON SHALL CAUSE THE IMPEDIMENT OF STORMWATER FLOW IN THE CURB AND GUTTER OR DITCH EXCEPT WITH APPROVED SEDIMENT CONTROL MEASURES.
24. OWNER/DEVELOPER AND THEIR AGENTS SHALL COMPLY WITH THE "COLORADO WATER QUALITY CONTROL ACT"(TITLE 25, ARTICLE 8, CRS), AND THE "CLEAN WATER ACT"(33 USC 1344), IN ADDITION TO THE REQUIREMENTS OF THE LAND DEVELOPMENT CODE, DCM VOLUME II AND THE ECM APPENDIX I. ALL APPROPRIATE PERMITS MUST BE OBTAINED BY THE CONTRACTOR PRIOR TO CONSTRUCTION (1041, NPDES, FLOODPLAIN, 404, FUGITIVE DUST, ETC.). IN THE EVENT OF CONFLICTS BETWEEN THESE REQUIREMENTS AND OTHER LAWS, RULES, OR REGULATIONS OF OTHER FEDERAL, STATE, LOCAL, OR COUNTY AGENCIES, THE MOST RESTRICTIVE LAWS, RULES, OR REGULATIONS SHALL APPLY.
25. ALL CONSTRUCTION TRAFFIC MUST ENTER/EXIT THE SITE ONLY AT APPROVED CONSTRUCTION ACCESS POINTS.
26. PRIOR TO CONSTRUCTION THE PERMITTEE SHALL VERIFY THE LOCATION OF EXISTING UTILITIES.
27. A WATER SOURCE SHALL BE AVAILABLE ON SITE DURING EARTHWORK OPERATIONS AND SHALL BE UTILIZED AS REQUIRED TO MINIMIZE DUST FROM EARTHWORK EQUIPMENT AND WIND.
28. THE SOILS REPORT FOR THIS SITE SHALL BE CONSIDERED A PART OF THESE PLANS.
29. AT LEAST TEN (10) DAYS PRIOR TO THE ANTICIPATED START OF CONSTRUCTION, FOR PROJECTS THAT WILL DISTURB ONE (1) ACRE OR MORE, THE OWNER OR OPERATOR OF CONSTRUCTION ACTIVITY SHALL SUBMIT A PERMIT APPLICATION FOR STORMWATER DISCHARGE TO THE COLORADO DEPARTMENT OF PUBLIC HEALTH AND ENVIRONMENT, WATER QUALITY DIVISION. THE APPLICATION CONTAINS CERTIFICATION OF COMPLETION OF A STORMWATER MANAGEMENT PLAN (SMWP), OF WHICH THIS GRADING AND EROSION CONTROL PLAN MAY BE A PART. FOR INFORMATION OR APPLICATION MATERIALS CONTACT:

COLORADO DEPARTMENT OF PUBLIC HEALTH AND ENVIRONMENT
 WATER QUALITY CONTROL DIVISION
 WQCD - PERMITS
 4300 CHERRY CREEK DRIVE SOUTH
 DENVER, CO 80246-1530 ATTN:
 PERMITS UNIT

SEEDING MIX:

GRASS	VARIETY	AMOUNT IN PLS LBS. PER ACRE
CRESTED WHEAT GRASS	EPHRAIM OR HYCREST	4.0 LBS.
PERENIAL RYE	LINN	2.0 LBS.
WESTERN WHEATGRASS	SARTON	3.0 LBS.
SMOOTH BROME GRASS	LINCOLN OR MANCHAR	5.0 LBS.
SIDEOATS GRAMA	EPHRAIM	2.5 LBS.
TOTAL:		16.5 LBS.

SEEDING & FERTILIZER APPLICATION: DRILL SEED OR HYDRO-SEED PER CDOT SPEC. SECTION 212.

MULCHING APPLICATION: CONFORM TO CDOT SPEC-SECTION 213.

SEDIMENT CONTROL MAINTENANCE PROGRAM:

FREQUENCY
 PERIODIC SITE INSPECTIONS BI-WEEKLY¹
 RE-VEGETATION OF EXPOSED SOILS WITHIN 21 DAYS OF GRADING.
 SEDIMENT REMOVAL FROM BMP'S MONTHLY²
 REMOVAL OF BMP'S AFTER STABILIZATION ACHIEVED
 AND AFTER ANY PRECIPITATION OR SNOW MELT EVENT THAT CAUSES SURFACE EROSION.

ACCUMULATED SEDIMENT AND DEBRIS SHALL BE REMOVED WHEN THE SEDIMENT LEVEL REACHES ONE HALF THE HEIGHT OF THE BMP OR AT ANY TIME THAT SEDIMENT OR DEBRIS ADVERSELY IMPACTS THE FUNCTION OF THE BMP.

ESTIMATED TIME SCHEDULE:

INSTALL BMP'S	JUNE, 2020
TEMPORARY SEDIMENT BASIN	JUNE, 2020
ROADWAY GRADING	JUNE, 2020
SEEDING & MULCHING	MAY, 2021
STABILIZATION	SEPTEMBER, 2022

CONTROL MEASURE/BMP PHASING PLAN:

INITIAL CONTROL MEASURES:

- VTC AT SITE ACCESS
- SILT FENCE ALONG DOWNSTREAM GRADING LIMITS
- TEMPORARY SEDIMENT BASIN

INTERIM CONTROL MEASURES:

- STRAW BALES/SCL CHECK DAMS

FINAL CONTROL MEASURES:

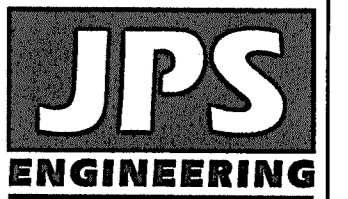
- RIPRAP APRONS
- PERMANENT DETENTION AND WATER QUALITY FACILITIES
- SEEDING AND LANDSCAPING

NOTE: NO DEDICATED ASPHALT/CONCRETE BATCH PLANTS ARE PROPOSED

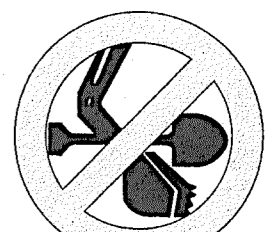
NON-STRUCTURAL CONTROL MEASURES:

CONTROL MEASURES:

- PROPER HOUSEKEEPING MEASURES
- PROPER SPILL CONTAINMENT PROCEDURES



19 E. Willamette Ave.
 Colorado Springs, CO
 80903
 PH: 719-477-9429
 FAX: 719-471-0766



CALL UTILITY NOTIFICATION CENTER OF COLORADO
 1-800-922-1987
 GIVE 2-BUSINESS DAYS IN ADVANCE FOR THE MARKING OF UNDERGROUND UTILITIES.

ROLLIN RIDGE - FILING NO. 1

EROSION CONTROL NOTES

HORZ. SCALE:	N/A	DRAWN:	BJJ
VERT. SCALE:	N/A	DESIGNED:	JPS
SURVEYED:	RAMPART	CHECKED:	JPS
CREATED:	8/29/19	LAST MODIFIED:	5/13/20
PROJECT NO:	081702	MODIFIED BY:	BJJ
SHEET:	C2.1		



C:\Users\Owner\Desktop\projects\081702-rollin-ridge.dwg\civil\C2.2.dwg May 13, 2020 9:35am

SILT FENCE

SILT FENCE NOTES

INSTALLATION REQUIREMENTS

- SILT FENCES SHALL BE INSTALLED PRIOR TO ANY LAND DISTURBING ACTIVITIES.
- WHEN JOINTS ARE NECESSARY, SILT FENCE GEOTEXTILE SHALL BE SPICED TOGETHER ONLY AT SUPPORT POST AND SECURELY SEALED.
- METAL POSTS SHALL BE "STUDDED TEE" OR "I" TYPE WITH MINIMUM WEIGHT OF 1.33 POUNDS PER LINEAR FOOT. WOOD POSTS SHALL HAVE A MINIMUM DIAMETER OR CROSS SECTION DIMENSION OF 2 INCHES.
- THE FILTER MATERIAL SHALL BE FASTENED SECURELY TO METAL OR WOOD POSTS USING WIRE TIES, OR TO WOOD POSTS WITH 3/4" LONG #9 HEAVY-DUTY STAPLES. THE SILT FENCE GEOTEXTILE SHALL NOT BE STAPLED TO EXISTING TREES.
- WHILE NOT REQUIRED, WIRE MESH FENCE MAY BE USED TO SUPPORT THE GEOTEXTILE. WIRE FENCE SHALL BE FASTENED SECURELY TO THE UPSLOPE SIDE OF THE POSTS USING HEAVY-DUTY WIRE STAPLES AT LEAST 3/4" LONG. THE WIRES OR HOOPS SHALL NOT EXTEND INTO THE TRENCH A MINIMUM OF 6" AND SHALL NOT EXTEND MORE THAN 3' ABOVE THE ORIGINAL GROUND SURFACE.
- ALONG THE TOE OF FILLS, INSTALL THE SILT FENCE ALONG A LEVEL CONTOUR AND PROVIDE AN AREA BEHIND THE FENCE FOR RUNOFF TO POND AND SEDIMENT TO SETTLE. A MINIMUM DISTANCE OF 5 FEET FROM THE TOE OF THE FILL IS RECOMMENDED.
- THE HEIGHT OF THE SILT FENCE FROM THE GROUND SURFACE SHALL BE MINIMUM OF 24 INCHES AND SHALL NOT EXCEED 36 INCHES; HIGHER FENCES MAY INPOUND VOLUMES OF WATER SUFFICIENT TO CAUSE FAILURE OF THE STRUCTURE.

MAINTENANCE REQUIREMENTS

- CONTRACTOR SHALL INSPECT SILT FENCES IMMEDIATELY AFTER EACH RAINFALL, AT LEAST DAILY DURING PROLONGED RAINFALL, AND WEEKLY DURING PERIODS OF NO RAINFALL. DAMAGED, COLLAPSED, UNINTRENCHED OR INEFFECTIVE SILT FENCES SHALL BE PROMPTLY REPAIRED OR REPLACED.
- SEDIMENT SHALL BE REMOVED FROM BEHIND SILT FENCE WHEN IT ACCUMULATES TO HALF THE EXPOSED GEOTEXTILE HEIGHT.
- SILT FENCES SHALL BE REMOVED WHEN ADEQUATE VEGETATIVE COVER IS ATTAINED AS APPROVED BY THE CITY.

City of Colorado Springs Stormwater Quality
Figure SF-2 Silt Fence Construction Detail and Maintenance Requirements
3-36

VEHICLE TRACKING

INSTALLATION REQUIREMENTS

- ALL ENTRANCES TO THE CONSTRUCTION SITE ARE TO BE STABILIZED PRIOR TO CONSTRUCTION BEGINNING.
- CONSTRUCTION ENTRANCES ARE TO BE BUILT WITH AN APRON TO ALLOW FOR TURNING TRAFFIC, BUT SHOULD NOT BE BUILT OVER EXISTING PAVEMENT EXCEPT FOR A SLIGHT OVERLAP.
- AREAS TO BE STABILIZED ARE TO BE PROPERLY GRADED AND COMPACTED PRIOR TO LAYING DOWN GEOTEXTILE AND STONE.
- CONSTRUCTION ROADS, PARKING AREAS, LOADING/UNLOADING ZONES, STORAGE AREAS, AND STAGING AREAS ARE TO BE STABILIZED.
- CONSTRUCTION ROADS ARE TO BE BUILT TO CONFORM TO SITE GRADES, BUT SHOULD NOT HAVE SIDE SLOPES OR ROAD GRADES THAT ARE EXCESSIVELY STEEP.

MAINTENANCE REQUIREMENTS

- REGULAR INSPECTIONS ARE TO BE MADE OF ALL STABILIZED AREAS, ESPECIALLY AFTER STORM EVENTS.
- STONES ARE TO BE REAPPLIED PERIODICALLY AND WHEN REPAIR IS NECESSARY.
- SEDIMENT TRACKED ONTO PAVED ROADS IS TO BE REMOVED DAILY BY SHOVELING OR SWEEPING. SEDIMENT IS NOT TO BE WASHED DOWN STORM SEWER DRAINS.
- STORM SEWER INLET PROTECTION IS TO BE IN PLACE, INSPECTED, AND CLEANED IF NECESSARY.
- OTHER ASSOCIATED SEDIMENT CONTROL MEASURES ARE TO BE INSPECTED TO ENSURE GOOD WORKING CONDITION.

City of Colorado Springs Stormwater Quality
Figure VT-2 Vehicle Tracking Application Examples
3-34

STRAW BALE BARRIER

STRAW BALE BARRIER NOTES

INSTALLATION REQUIREMENTS

- STRAW BALE BARRIERS SHALL BE INSTALLED PRIOR TO ANY LAND DISTURBING ACTIVITIES.
- BALES SHALL CONSIST OF APPROXIMATELY 5 CUBIC FEET OF CERTIFIED WEED FREE HAY OR STRAW AND WEIGH NOT LESS THAN 35 POUNDS.
- BALES ARE TO BE PLACED IN A SINGLE ROW WITH THE END OF THE BALES TIGHTLY ABUTTING ONE ANOTHER.
- EACH BALE IS TO BE SECURELY ANCHORED WITH AT LEAST TWO STAKES AND THE FIRST STAKE IS TO BE DRIVEN TOWARD THE PREVIOUSLY LAID BALE TO FORCE THE BALES TOGETHER.
- STAKES ARE TO BE A MINIMUM OF 42 INCHES LONG. METAL STAKES SHALL BE STANDARD T1 OR T2 TYPE WITH MINIMUM WEIGHT OF 1.33 POUNDS PER LINEAR FOOT. WOOD STAKES SHALL HAVE A MINIMUM DIAMETER OR CROSS SECTION DIMENSION OF 2 INCHES.
- BALES ARE TO BE BOUND WITH EITHER WIRE OR STRING AND ORIENTED SUCH THAT THE ENDINGS ARE AROUND THE SIDES AND NOT ALONG THE TOPS AND BOTTOMS OF THE BALE.
- GAPS BETWEEN BALES ARE TO BE CHINKED (FILLED BY WEDGING) WITH STRAW OR THE SAME MATERIAL OF THE BALE.
- END BALES ARE TO EXTEND UPSLOPE SO THE TRAPPED RUNOFF CANNOT FLOW AROUND THE ENDS OF THE BARRIER.

MAINTENANCE REQUIREMENTS

- CONTRACTOR SHALL INSPECT STRAW BALE BARRIERS IMMEDIATELY AFTER EACH RAINFALL, AT LEAST DAILY DURING PROLONGED RAINFALL, AND WEEKLY DURING PERIODS OF NO RAINFALL.
- DAMAGED OR INEFFECTIVE BARRIERS SHALL BE PROMPTLY REPAIRED, REPLACING BALES IF NECESSARY, AND UNINTRENCHED BALES NEED TO BE REPAIRED WITH COMPACTED BACKFILL MATERIAL.
- SEDIMENT SHALL BE REMOVED FROM BEHIND STRAW BALE BARRIERS WHEN IT ACCUMULATES TO APPROXIMATELY 1/2 THE HEIGHT OF THE BARRIER.
- STRAW BALE BARRIERS SHALL BE REMOVED WHEN ADEQUATE VEGETATIVE COVER IS ATTAINED AS APPROVED BY THE CITY.

City of Colorado Springs Stormwater Quality
Figure SBB-2 Straw Bale Barrier Construction Detail and Maintenance Requirements
3-42

EROSION CONTROL BLANKET APPLICATION EXAMPLES

Shallow Slope
On shallow slopes, strips of netting may be applied across the slope.

Steep Slope
Where there is a berm at the top of the slope, bring the netting over the berm and anchor it behind the berm.
On steep slopes, apply strips of netting parallel to the direction of flow and anchor securely.

Ditch
Bring netting down to a level area before terminating the installation. Turn the end under 6" and staple at 12" intervals.
In ditches, apply netting parallel to the direction of flow. Use check slots every 15 feet. Do not join strips in the center of the ditch.

City of Colorado Springs Storm Water Quality
Figure ECB-1 Erosion Control Blanket Application Examples
3-42

CHECK DAM

CHECK DAM NOTES

INSTALLATION REQUIREMENTS

- STRAW BALES USED AS CHECK DAMS ARE TO MEET THE REQUIREMENTS STATED IN FIGURE SBB-2.
- THE "H" DIMENSION SHALL BE SELECTED TO PROVIDE WEIR FLOW CONVEYANCE FOR 2-YEAR FLOW OR GREATER.
- ACCUMULATED SEDIMENT AND DEBRIS IS TO BE REMOVED FROM BEHIND THE DAMS AFTER EACH STORM OR WHEN 1/2 OF THE ORIGINAL HEIGHT OF THE DAM IS REACHED.
- CHECK DAMS ARE TO REMAIN IN PLACE AND OPERATIONAL UNTIL THE DRAINAGE AREA AND CHANNEL ARE PERMANENTLY STABILIZED.
- WHEN CHECK DAMS ARE REMOVED THE CHANNEL LINING OR VEGETATION IS TO BE RESTORED.

MAINTENANCE REQUIREMENTS

- CONTRACTOR SHALL INSPECT ALL CHECK DAMS, ESPECIALLY AFTER STORM EVENTS.
- REPLACE STONE AS NECESSARY TO MAINTAIN THE CORRECT HEIGHT OF THE DAM.
- EXCAVATED SOIL CAN BE USED IF IT MEETS THIS REQUIREMENT.
- EMBANKMENT IS TO BE COMPACTED TO AT LEAST 90% OF MAXIMUM DENSITY AND WITHIN 2% OF OPTIMUM MOISTURE CONTENT ACCORDING TO ASTM D 698.
- WHEN A BASIN IS INSTALLED NEAR A RESIDENTIAL AREA, FOR SAFETY REASONS, A SIGN SHALL BE POSTED AND THE AREA SECURED WITH A FENCE.

City of Colorado Springs Stormwater Quality
Figure CD-1 Check Dam Construction Detail and Maintenance Requirements
3-20

SEDIMENT BASIN

SEDIMENT BASIN NOTES

INSTALLATION REQUIREMENTS

- SEDIMENT BASINS SHALL BE INSTALLED BEFORE ANY CLEARING AND/OR GRADING IS UNDERTAKEN.
- THE AREA UNDER WHICH THE EMBANKMENT IS TO BE INSTALLED SHALL BE CLEARED, GRUBBED, AND STRIPPED OF ALL VEGETATION AND ROOT MAT.
- THE OUTLET OF THE BASIN SHALL BE DESIGNED TO DRAIN ITS VOLUME IN 40 HOURS.
- THE OUTLET IS TO BE LOCATED AT THE FURTHEST DISTANCE FROM THE INLET OF THE BASIN. Baffles may be needed to INCREASE THE FLOW LENGTH AND SETTLING TIME.
- SEDIMENT BASINS SHALL BE CLEANED OUT BEFORE SEDIMENT HAS FILLED HALF THE VOLUME OF THE BASIN.
- SEDIMENT BASINS SHALL REMAIN OPERATIONAL AND PROPERLY MAINTAINED UNTIL THE SITE AREA IS PERMANENTLY STABILIZED WITH ADEQUATE VEGETATIVE COVER AND/OR OTHER PERMANENT STRUCTURE AS APPROVED BY THE CITY.

MAINTENANCE REQUIREMENTS

- CONTRACTOR SHALL INSPECT SEDIMENT BASINS AFTER EACH RAINFALL, AT LEAST DAILY DURING PROLONGED RAINFALL, AND WEEKLY DURING PERIODS OF NO RAINFALL.
- SEDIMENT BASINS SHALL BE CLEANED OUT BEFORE SEDIMENT HAS FILLED HALF THE VOLUME OF THE BASIN.
- SEDIMENT BASINS SHALL REMAIN OPERATIONAL AND PROPERLY MAINTAINED UNTIL THE SITE AREA IS PERMANENTLY STABILIZED WITH ADEQUATE VEGETATIVE COVER AND/OR OTHER PERMANENT STRUCTURE AS APPROVED BY THE CITY.

City of Colorado Springs Stormwater Quality
Figure SB-1 Sediment Basin Construction Detail and Maintenance Requirements
3-32

TABLE SB-1

Design Volume (acre-ft)	Depth at Outlet (ft)					
	1.0	1.5	2.0	2.5	3.0	3.5
2	16.04	7.71	5.10	3.76	2.86	2.41
1	7.52	3.99	2.65	1.98	1.48	1.21
0.5	4.51	2.31	1.53	1.13	0.89	0.72
0.4	3.01	1.54	1.02	0.75	0.59	0.49
0.2	1.50	0.77	0.51	0.39	0.30	0.24
0.1	0.73	0.39	0.26	0.19	0.15	0.12
0.05	0.45	0.23	0.15	0.11	0.09	0.07
0.04	0.30	0.15	0.10	0.08	0.06	0.05
0.02	0.15	0.08	0.05	0.04	0.03	0.02
0.01	0.08	0.04	0.03	0.02	0.01	0.01

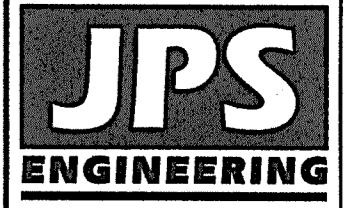
TABLE SB-2

Hole Diameter (in)	Hole Diameter (ft)	Area per Row (sq ft)		
		n=1	n=2	n=3
1/4	0.250	0.05	0.10	0.15
5/16	0.313	0.08	0.15	0.23
3/8	0.375	0.11	0.22	0.33
7/16	0.438	0.15	0.30	0.45
1/2	0.500	0.20	0.39	0.59
9/16	0.563	0.26	0.50	0.75
5/8	0.625	0.31	0.61	0.92
11/16	0.688	0.37	0.74	1.11
3/4	0.750	0.44	0.86	1.33
7/8	0.875	0.60	1.20	1.80
1	1.000	0.79	1.57	2.36
1 1/8	1.125	0.99	1.99	2.98
1 1/4	1.250	1.23	2.45	3.68
1 3/8	1.375	1.46	2.97	4.45
1 1/2	1.500	1.77	3.63	5.30
1 5/8	1.625	2.07	4.16	6.22
1 3/4	1.750	2.41	4.81	7.22
1 7/8	1.875	2.78	5.52	8.28
2	2.000	3.14	6.28	9.42

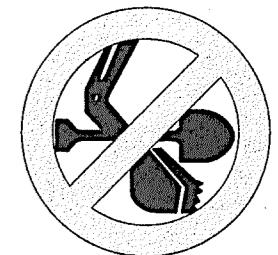
City of Colorado Springs Stormwater Quality
Figure SB-2 Outlet Sizing Application Techniques and Maintenance Requirements
3-33

NOTE: SEE TSB DEIGN PARAMETERS TABULATED ON SH. C3.1 - C3.2

ROLLIN RIDGE - FILING NO. 1



19 E. Willamette Ave.
Colorado Springs, CO 80903
PH: 719-477-9429
FAX: 719-471-0766



CALL UTILITY OF COLORADO
1-800-922-1987
CALL 2-BUSINESS DAYS IN ADVANCE BEFORE YOU DIG, GRADE, OR EXCAVATE FOR THE MEMBER UTILITIES.

NO.	REVISION	DATE	BY
1	FINAL PLAT SUBMITTAL	10/25/19	JPS
2	COUNTY COMMENTS	2/28/20	JPS
3	COUNTY COMMENTS	5/13/20	JPS

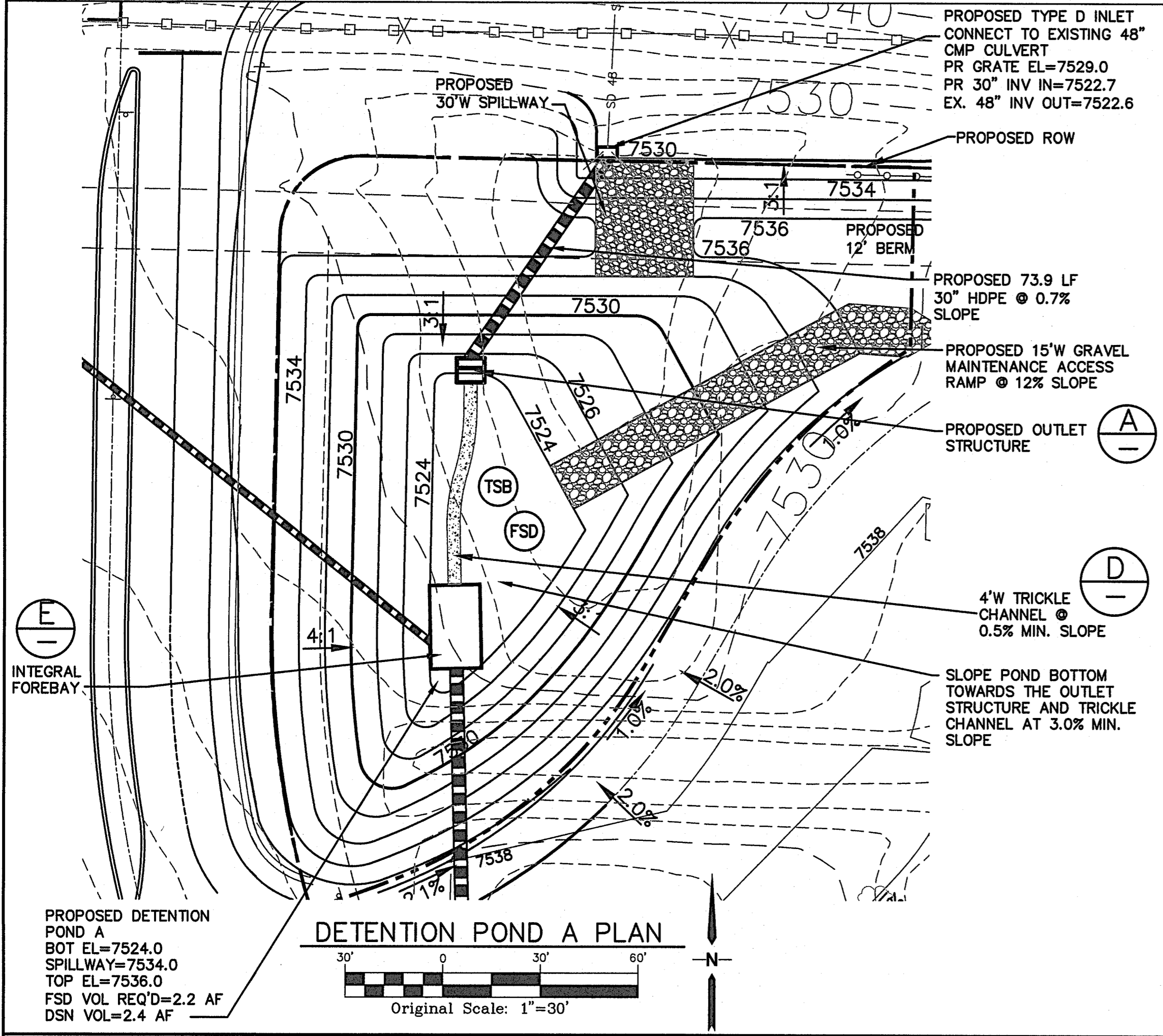
EROSION CONTROL DETAILS



HORIZ. SCALE:	N/A	DRAWN:	BJJ
VERT. SCALE:	N/A	DESIGNED:	JPS
SURVEYED:	RAMPART	CHECKED:	JPS
CREATED:	8/29/19	LAST MODIFIED:	5/13/20
PROJECT NO:	081702	MODIFIED BY:	BJJ

C2.2

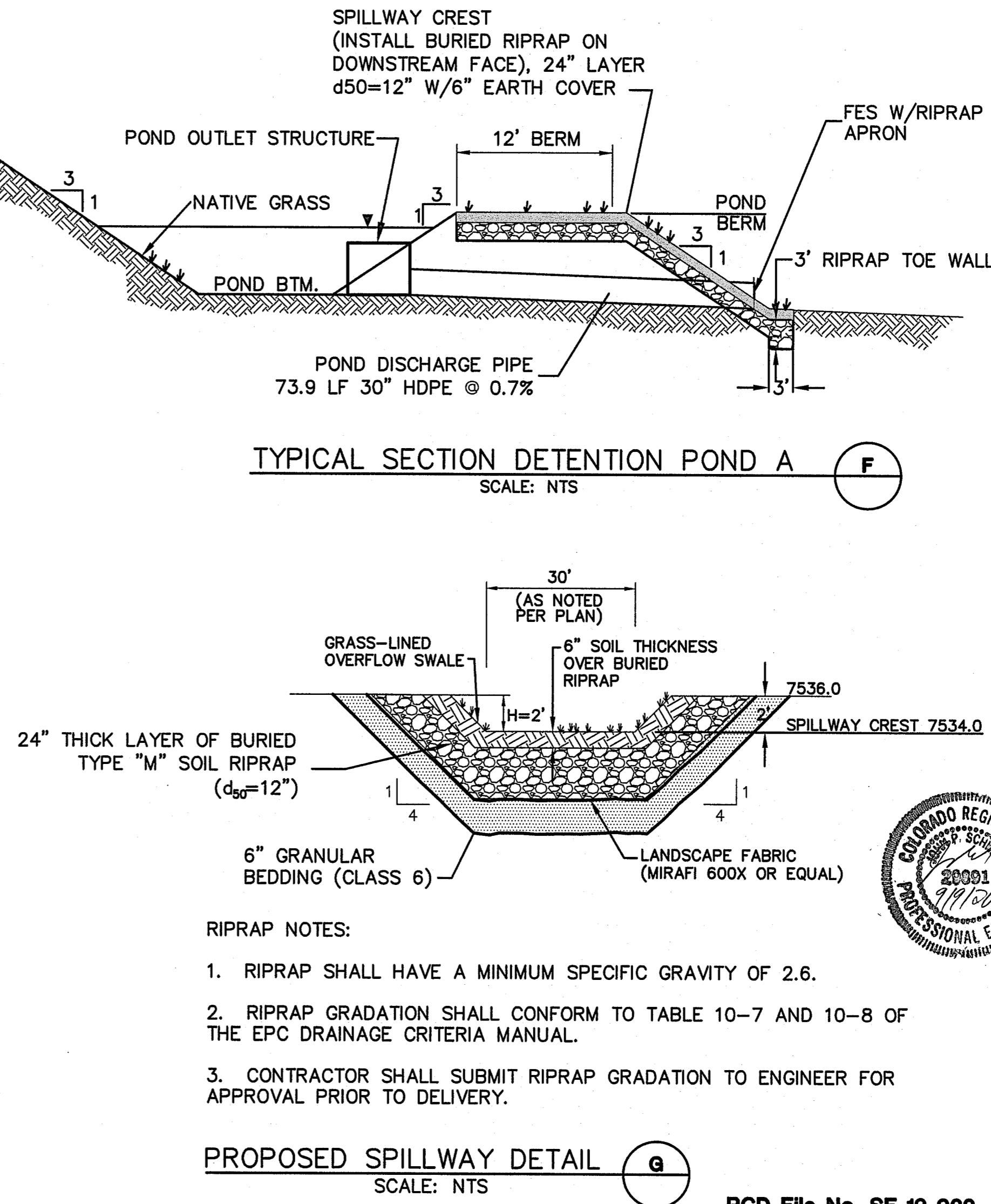
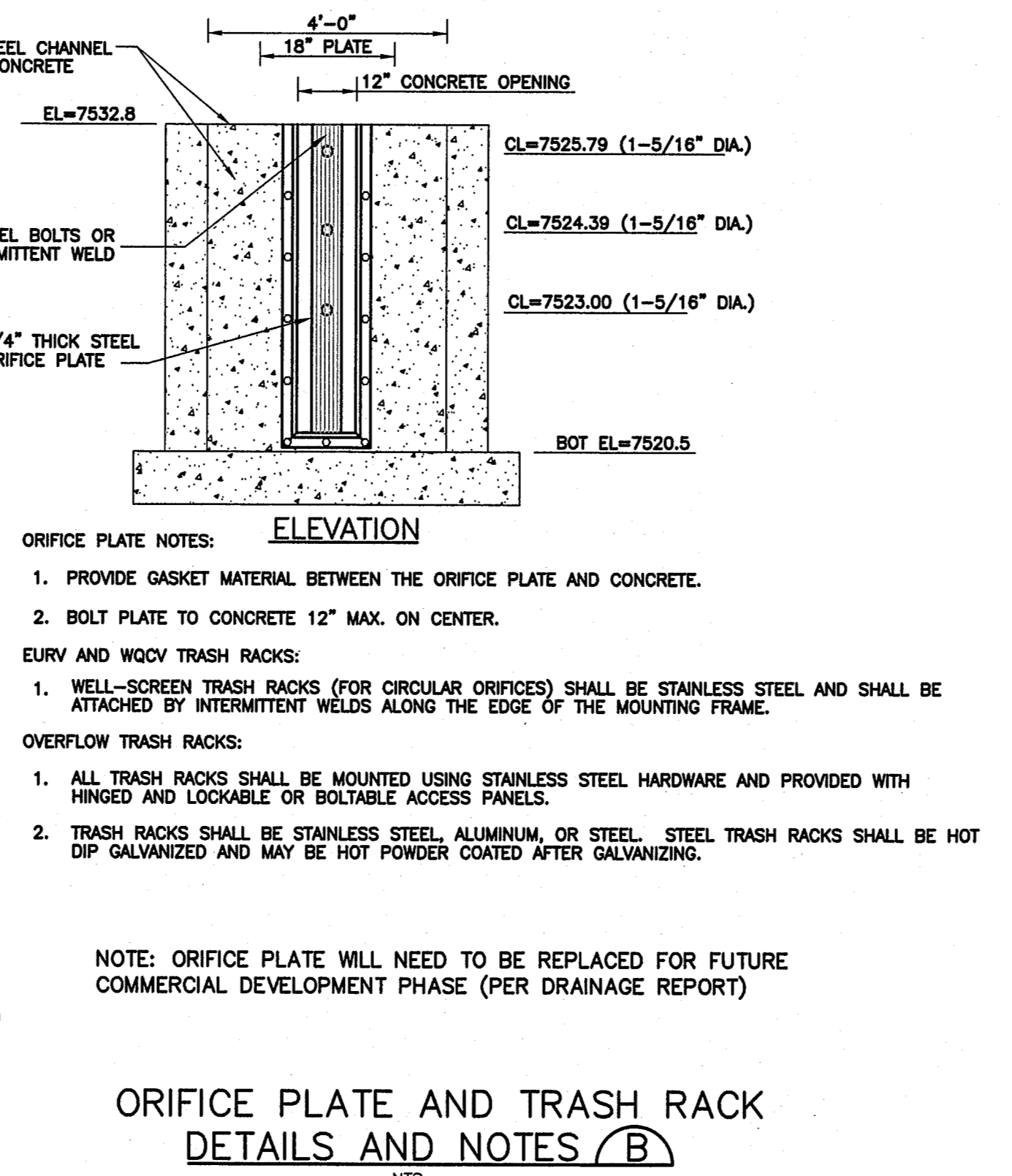
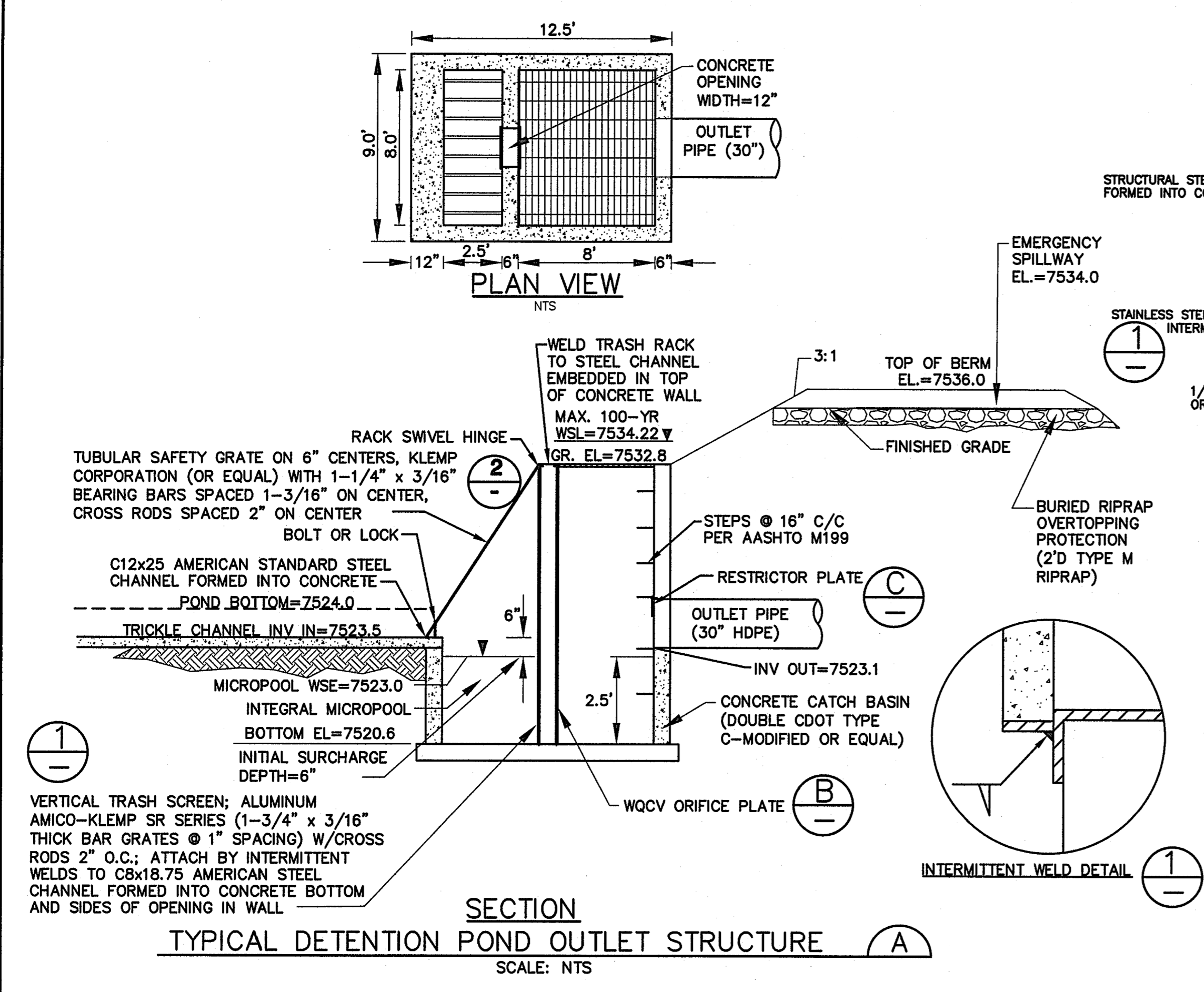
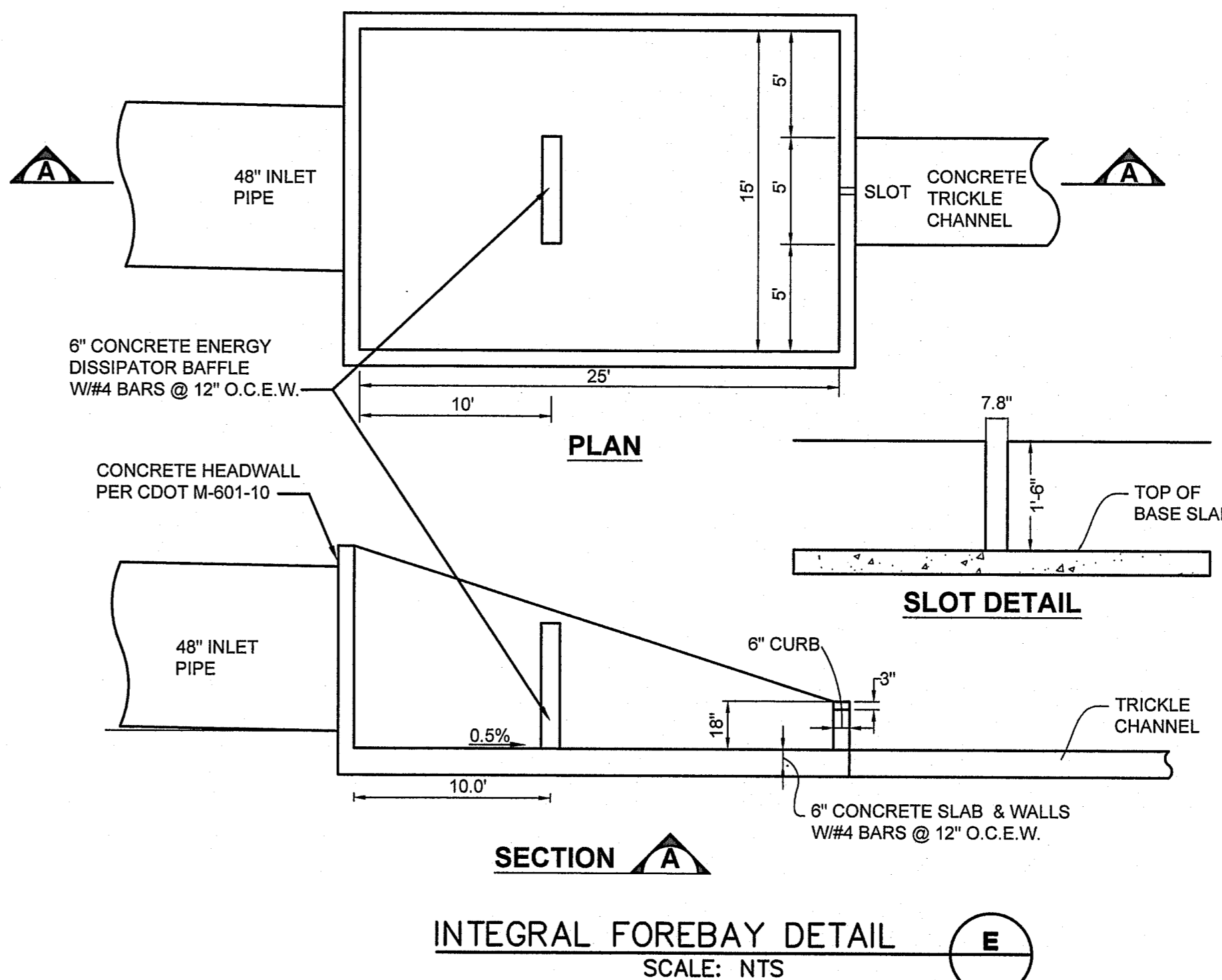
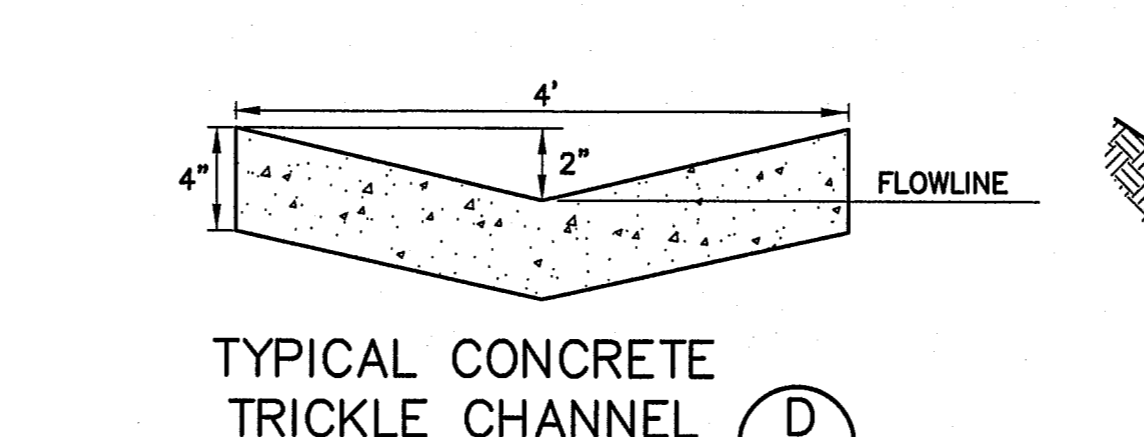
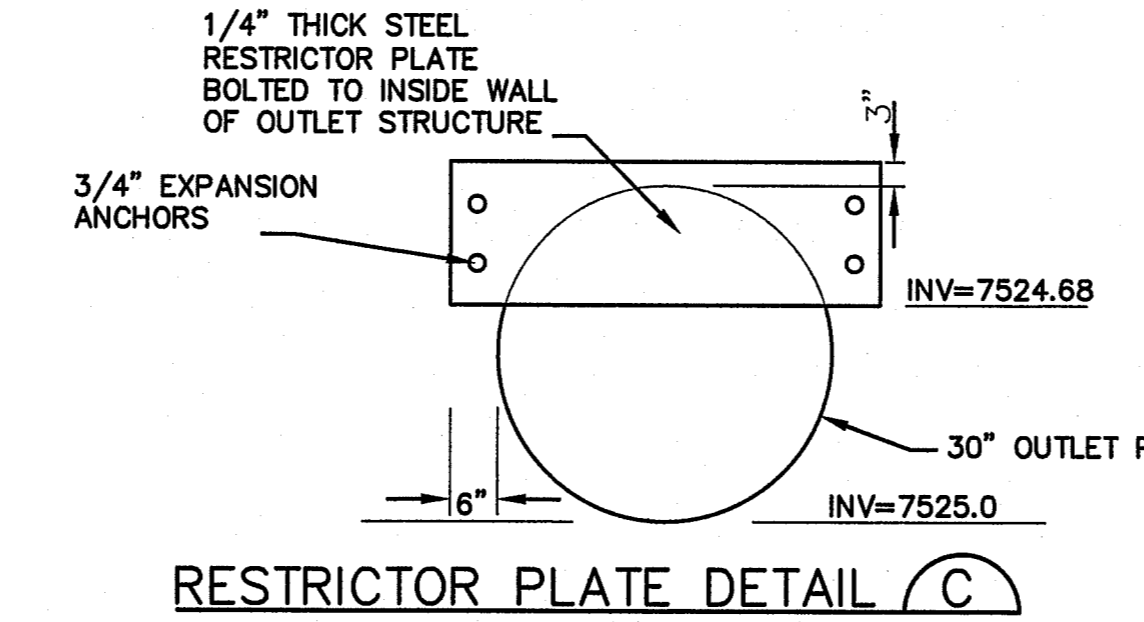
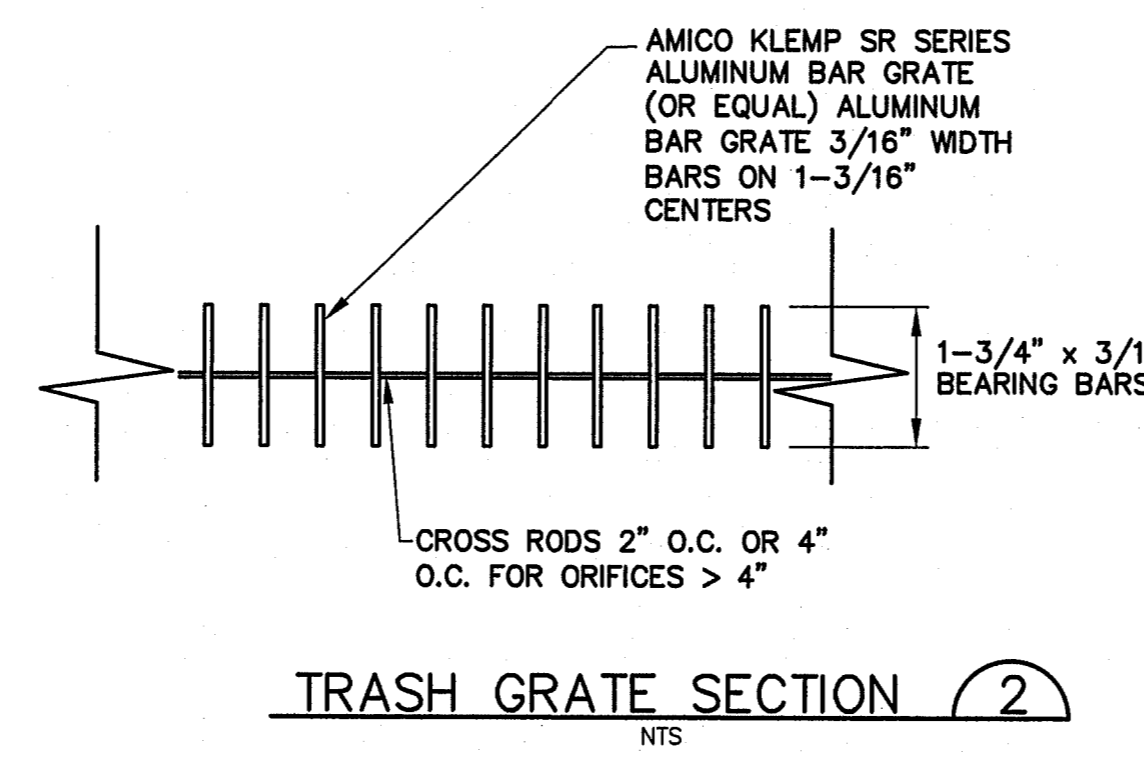
PCD FILE NO. SF-19-022



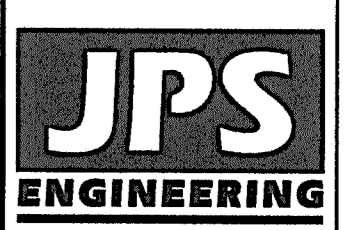
TEMPORARY SEDIMENT BASIN DESIGN DATA - POND A

BASIN	DRAINAGE AREA (AC)	REQUIRED VOLUME (AF)	D (FT)	HD* (IN)	# COLUMNS	# ROWS
A	54.6	2.3	4.5	7/8"	3	13

* PERFORATIONS AT 4" VERTICAL SPACING



ROLLIN RIDGE - FILING NO. 1



19 E. Willamette Ave.
Colorado Springs, CO
80903
PH: 719-477-9429
FAX: 719-471-0766
www.jpsengr.com

CALL UTILITY NOTIFICATION CENTER OF COLORADO
1-800-922-1987
CALL 2-BUSINESS DAYS IN ADVANCE BEFORE ANY EXCAVATE BEGINS TO AVOID DAMAGE TO UNDERGROUND MEMBER UTILITIES.

NO.	REVISION	DATE	BY
1	FINAL PLAN SUBMITTAL	10/21/19	JPS
2	COUNTY COMMENTS	2/28/20	JPS
3	COUNTY COMMENTS	5/13/20	JPS
4	COUNTY COMMENTS	7/16/20	JPS
5	COUNTY COMMENTS	9/08/20	JPS

DETENTION POND A PLAN & DETAILS

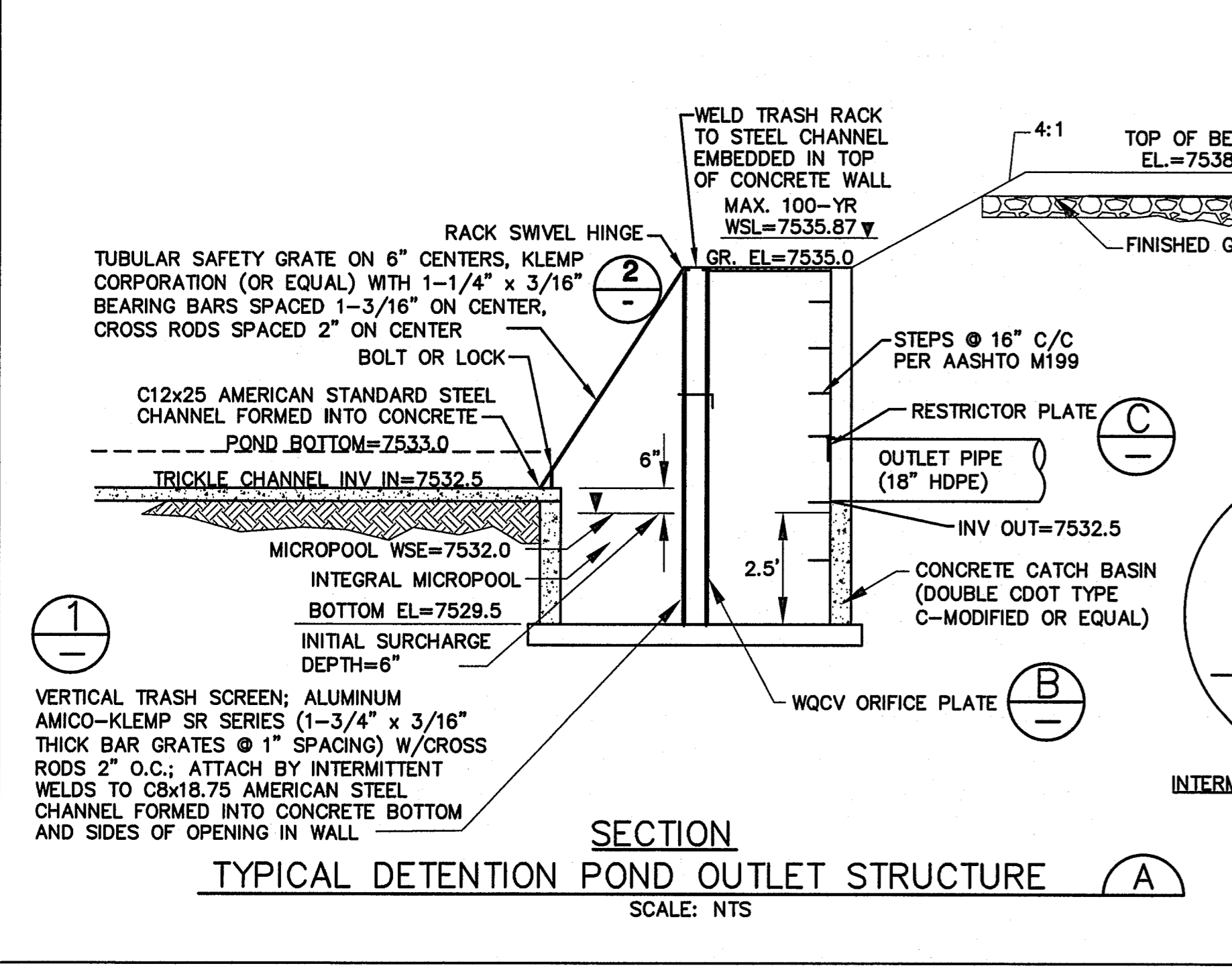
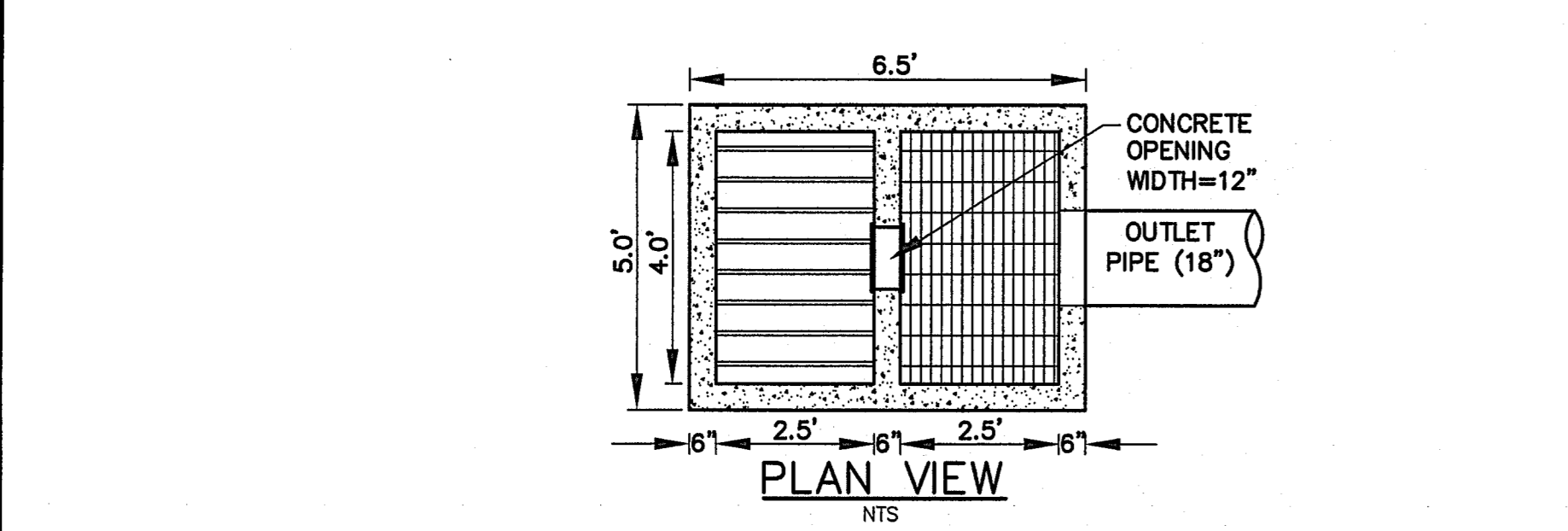
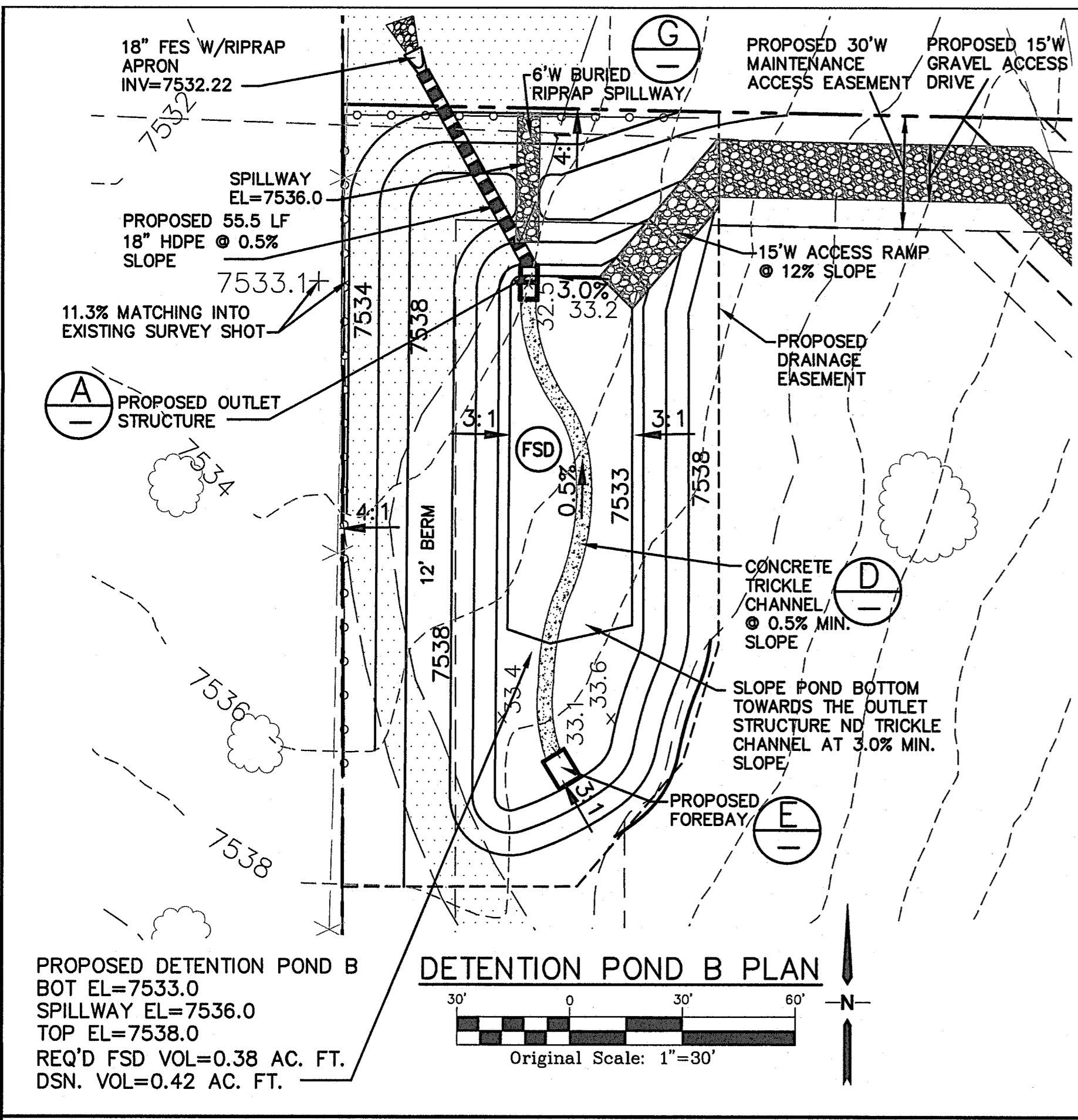


HORIZ. SCALE: N/A	DRAWN: BJJ
VERT. SCALE: N/A	DESIGNED: JPS
SURVEYED: RAMPART	CHECKED: JPS
CREATED: 7/02/19	LAST MODIFIED: 9/08/20
PROJECT NO: 081702	MODIFIED BY: BJJ
SHEET: C3.1	

PCD File No. SF-19-022

C:\Users\Owner\Desktop\proj\081702\rollin-ridge\dwg\C3.1.dwg Sep 08, 2020 10:21am

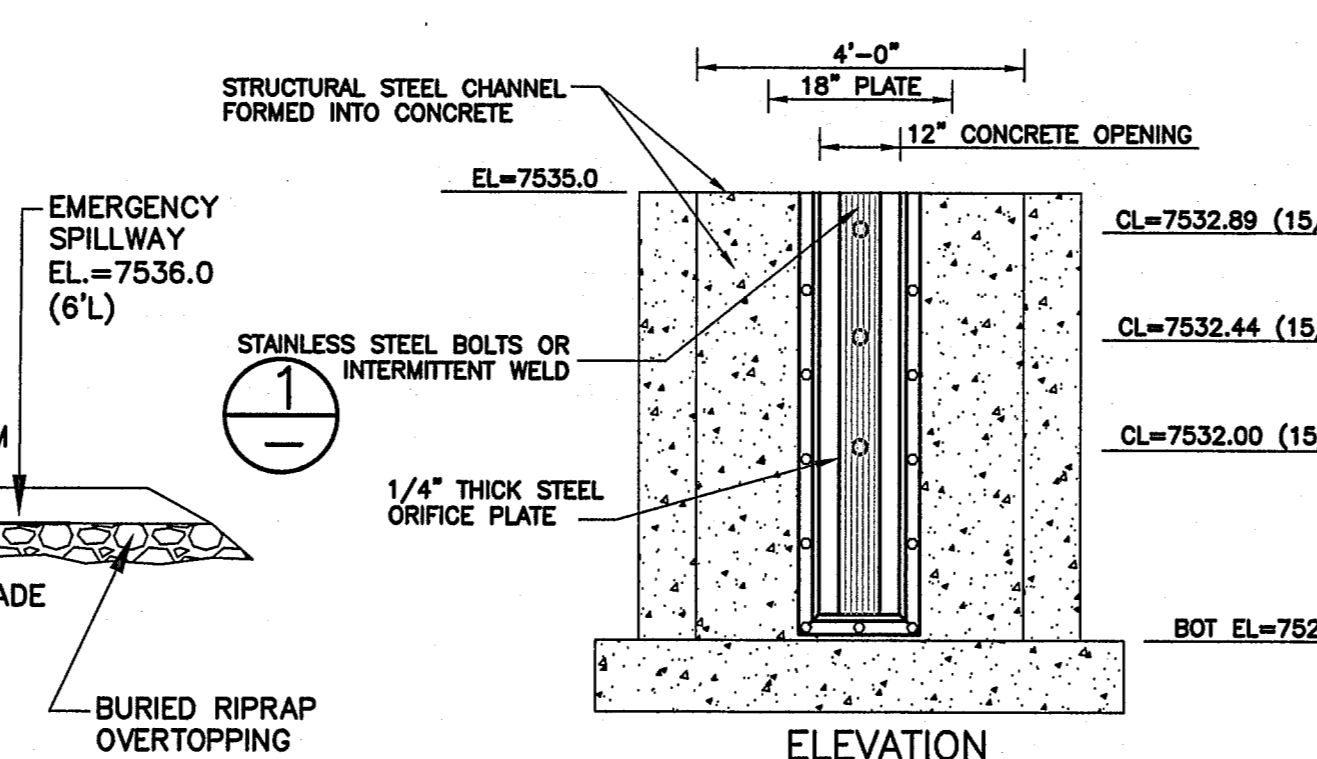
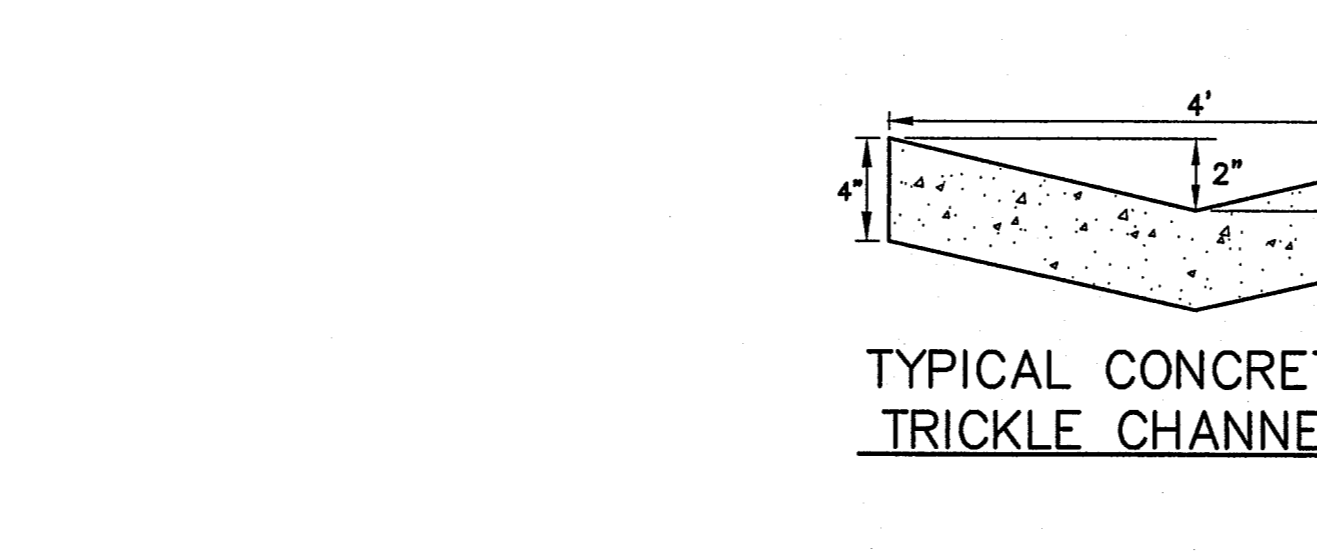
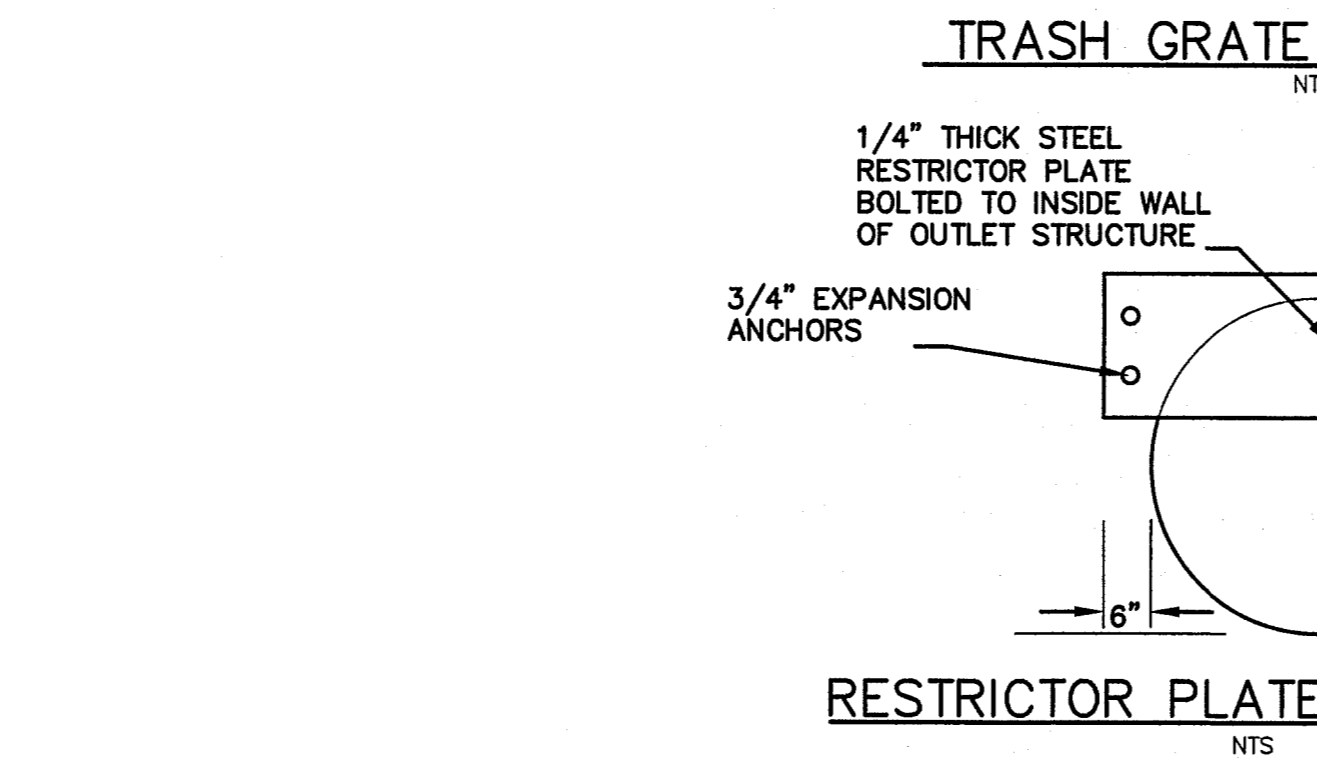
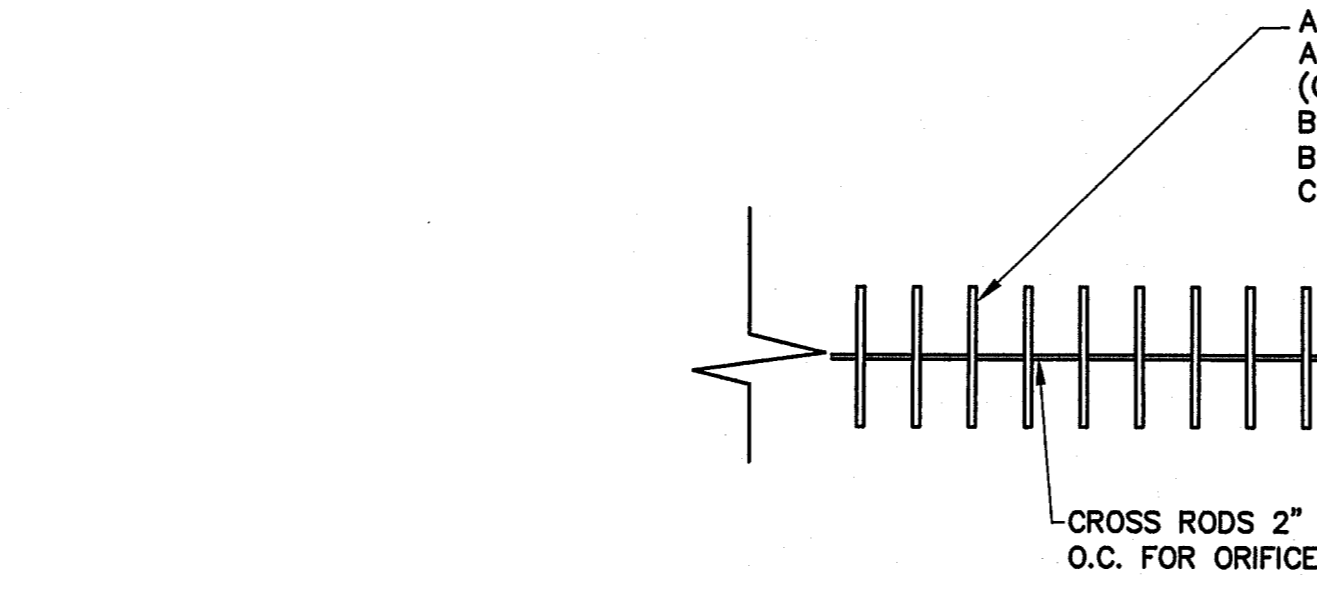
C:\Users\Owner\Dropbox\proj\081702\rollin-ridge.dwg, 08/19/2020 10:18:00am



TEMPORARY SEDIMENT BASIN DESIGN DATA - POND B

BASIN	DRAINAGE AREA (AC)	REQUIRED VOLUME (AF)	D (FT)	HD* (IN)	# COLUMNS	# ROWS
B	11.8	0.5	3	5/8"	3	9

* PERFORATIONS AT 4" VERTICAL SPACING



ORIFICE PLATE AND TRASH RACK DETAILS AND NOTES

ORIFICE PLATE NOTES:

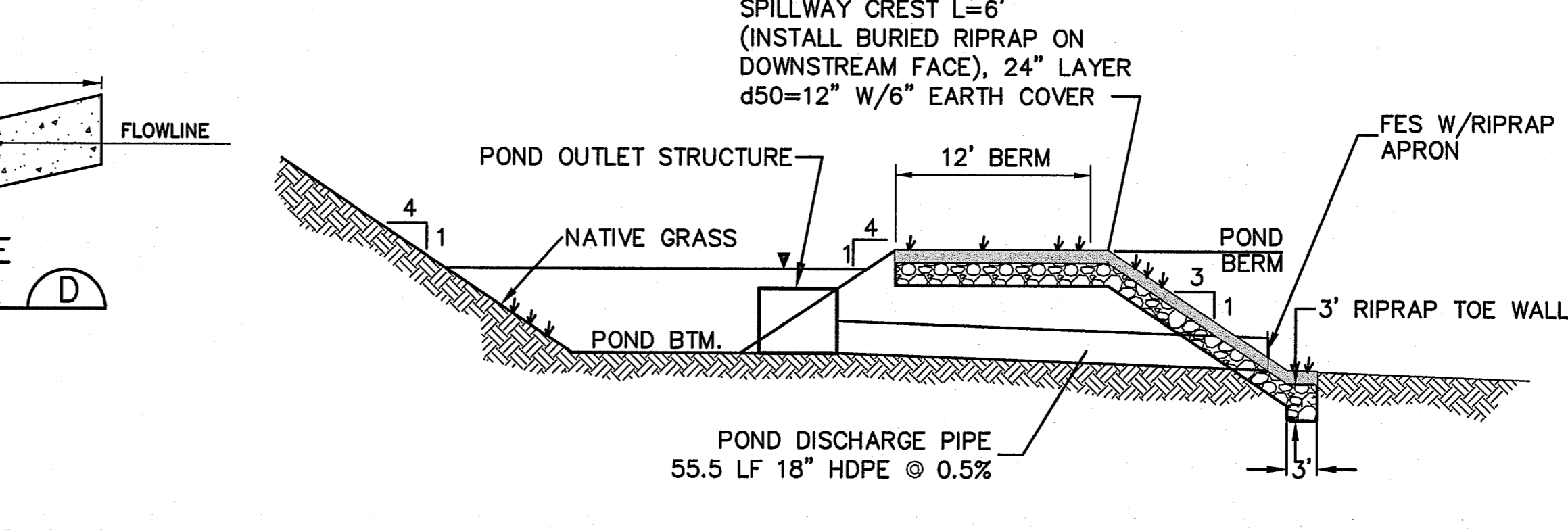
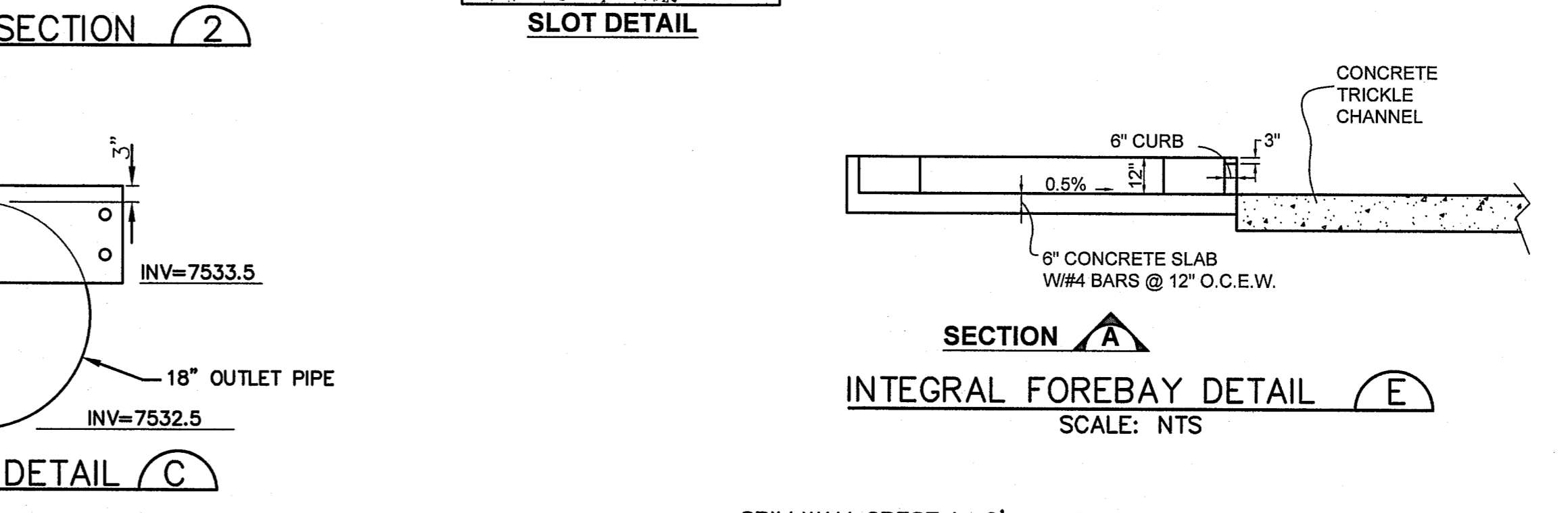
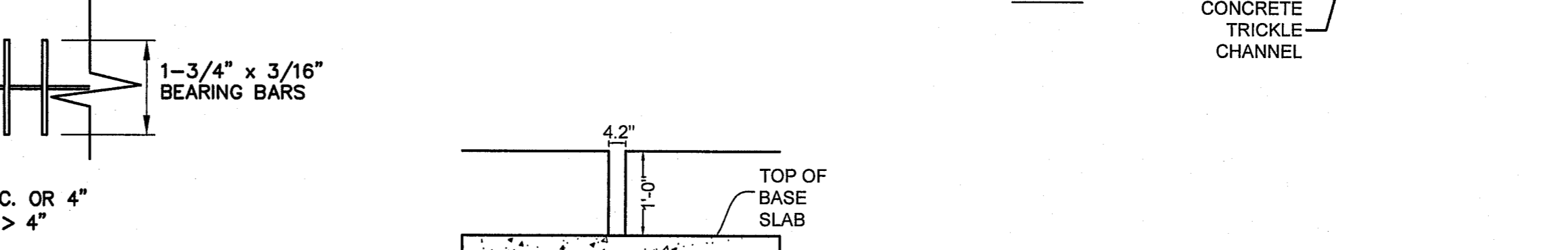
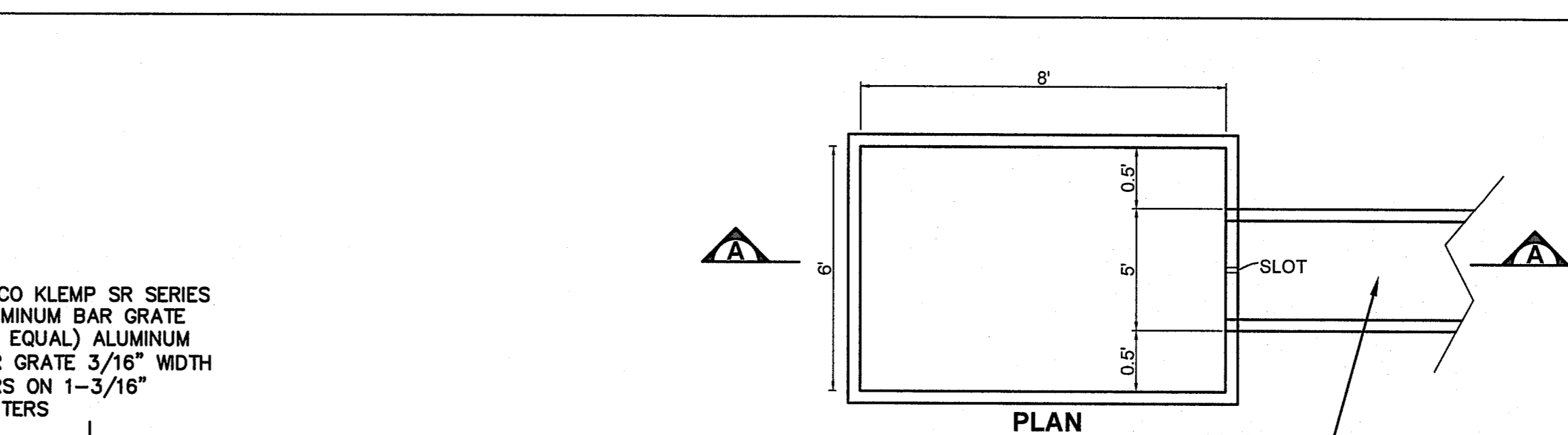
1. PROVIDE GASKET MATERIAL BETWEEN THE ORIFICE PLATE AND CONCRETE.
2. BOLT PLATE TO CONCRETE 12" MAX. ON CENTER.

EURV AND WQCV TRASH RACKS:

1. WELL-SCREEN TRASH RACKS (FOR CIRCULAR ORIFICES) SHALL BE STAINLESS STEEL AND SHALL BE ATTACHED BY INTERMITTENT WELDS ALONG THE EDGE OF THE MOUNTING FRAME.

OVERFLOW TRASH RACKS:

1. ALL TRASH RACKS SHALL BE MOUNTED USING STAINLESS STEEL HARDWARE AND PROVIDED WITH HINGED AND LOCKABLE OR BOLTABLE ACCESS PANELS.
2. TRASH RACKS SHALL BE STAINLESS STEEL, ALUMINUM, OR STEEL. STEEL TRASH RACKS SHALL BE HOT DIP GALVANIZED AND MAY BE HOT POWDER COATED AFTER GALVANIZING.
3. TRASH RACKS SHALL BE CHOSEN SUCH THAT THE DIAGONAL DIMENSION OF EACH OPENING IS SMALLER THAN THE DIAMETER OF THE OUTLET PIPE.



PROPOSED SPILLWAY DETAIL

SCALE: NTS

RIPRAP NOTES:

1. RIPRAP SHALL HAVE A MINIMUM SPECIFIC GRAVITY OF 2.6.
2. RIPRAP GRADATION SHALL CONFORM TO TABLE 10-7 AND 10-8 OF THE EPC DRAINAGE CRITERIA MANUAL.
3. CONTRACTOR SHALL SUBMIT RIPRAP GRADATION TO ENGINEER FOR APPROVAL PRIOR TO DELIVERY.

JPS ENGINEERING

19 E. Willamette Ave.
Colorado Springs, CO 80903

PH: 719-477-9429
FAX: 719-471-0766
www.jpsegr.com

CALL UTILITY NOTIFICATION CENTER OF COLORADO
1-800-922-1987
CALL 2-BUSINESS DAYS IN ADVANCE FOR THE MARKING OF UNDERGROUND MEMBER UTILITIES.

No.	REVISION	DATE	BY
1	FINAL PLAN SUBMITTAL	10/21/19	JPS
2	COUNTY COMMENTS	2/28/20	JPS
3	COUNTY COMMENTS	5/13/20	JPS
4	COUNTY COMMENTS	7/16/20	JPS
5	COUNTY COMMENTS	9/08/20	JPS

DETENTION POND B PLAN & DETAILS

HORIZ. SCALE: N/A
VERT. SCALE: N/A

DRAWN: BJJ
DESIGNED: JPS
SURVEYED: RAMPART
CHECKED: JPS
CREATED: 7/02/19
LAST MODIFIED: 9/08/20
PROJECT NO: 081702
MODIFIED BY: BJJ
SHEET: C3.2

PCD File No. SF-19-022