

STANDARD CONSTRUCTION NOTES:

- ALL DRAINAGE AND ROADWAY CONSTRUCTION SHALL MEET THE STANDARDS AND SPECIFICATIONS OF THE CITY OF COLORADO SPRINGS/EL PASO COUNTY DRAINAGE CRITERIA MANUAL, VOLUMES 1 AND 2, AND THE EL PASO COUNTY ENGINEERING CRITERIA MANUAL.
- CONTRACTOR SHALL BE RESPONSIBLE FOR THE NOTIFICATION AND FIELD LOCATION OF ALL EXISTING UTILITIES, WHETHER SHOWN ON THE PLANS OR NOT, BEFORE BEGINNING CONSTRUCTION. LOCATION OF EXISTING UTILITIES SHALL BE VERIFIED BY THE CONTRACTOR PRIOR TO CONSTRUCTION. CALL 811 TO CONTACT THE UTILITY NOTIFICATION CENTER OF COLORADO (UNCC).
- CONTRACTOR SHALL KEEP A COPY OF THESE APPROVED PLANS, THE GRADING AND EROSION CONTROL PLAN, THE STORMWATER MANAGEMENT PLAN (SWMP), THE SOILS AND GEOTECHNICAL REPORT, AND THE APPROPRIATE DESIGN AND CONSTRUCTION STANDARDS AND SPECIFICATIONS AT THE JOB SITE AT ALL TIMES, INCLUDING THE FOLLOWING:
 - EL PASO COUNTY ENGINEERING CRITERIA MANUAL (ECM)
 - CITY OF COLORADO SPRINGS/EL PASO COUNTY DRAINAGE CRITERIA MANUAL, VOLUMES 1 AND 2
 - COLORADO DEPARTMENT OF TRANSPORTATION (CDOT) STANDARD SPECIFICATIONS FOR ROAD AND BRIDGE CONSTRUCTION
 - CDOT M & S STANDARDS
- NOTWITHSTANDING ANYTHING DEPICTED IN THESE PLANS IN WORDS OR GRAPHIC REPRESENTATION, ALL DESIGN AND CONSTRUCTION RELATED TO ROADS, STORM DRAINAGE AND EROSION CONTROL SHALL CONFORM TO THE STANDARDS AND REQUIREMENTS OF THE MOST RECENT VERSION OF THE RELEVANT ADOPTED EL PASO COUNTY STANDARDS, INCLUDING THE LAND DEVELOPMENT CODE, THE ENGINEERING CRITERIA MANUAL, THE DRAINAGE CRITERIA MANUAL, AND THE DRAINAGE CRITERIA MANUAL VOLUME 2. ANY DEVIATIONS FROM REGULATIONS AND STANDARDS MUST BE REQUESTED, AND APPROVED, IN WRITING. ANY MODIFICATIONS NECESSARY TO MEET CRITERIA AFTER-THE-FACT WILL BE ENTIRELY THE DEVELOPER'S RESPONSIBILITY TO RECTIFY.
- IT IS THE DESIGN ENGINEER'S RESPONSIBILITY TO ACCURATELY SHOW EXISTING CONDITIONS, BOTH ONSITE AND OFFSITE, ON THE CONSTRUCTION PLANS. ANY MODIFICATIONS NECESSARY DUE TO CONFLICTS, OMISSIONS, OR CHANGED CONDITIONS WILL BE ENTIRELY THE DEVELOPER'S RESPONSIBILITY TO RECTIFY.
- CONTRACTOR SHALL SCHEDULE A PRE-CONSTRUCTION MEETING WITH EL PASO COUNTY DEVELOPMENT SERVICES DEPARTMENT (DSD) - INSPECTIONS, PRIOR TO STARTING CONSTRUCTION.
- IT IS THE CONTRACTOR'S RESPONSIBILITY TO UNDERSTAND THE REQUIREMENTS OF ALL JURISDICTIONAL AGENCIES AND TO OBTAIN ALL REQUIRED PERMITS, INCLUDING BUT NOT LIMITED TO EL PASO COUNTY EROSION AND STORMWATER QUALITY CONTROL PERMIT (ESQCP), REGIONAL BUILDING FLOORPLAN DEVELOPMENT PERMIT, U.S. ARMY CORPS OF ENGINEERS-ISSUED 401 AND/OR 404 PERMITS, AND COUNTY AND STATE FUGITIVE DUST PERMITS.
- CONTRACTOR SHALL NOT DEVIATE FROM THE PLANS WITHOUT FIRST OBTAINING WRITTEN APPROVAL FROM THE DESIGN ENGINEER AND DSD. CONTRACTOR SHALL NOTIFY THE DESIGN ENGINEER IMMEDIATELY UPON DISCOVERY OF ANY ERRORS OR INCONSISTENCIES.
- ALL STORM DRAIN PIPE SHALL BE CLASS III RCP UNLESS OTHERWISE NOTED AND APPROVED BY DSD.
- CONTRACTOR SHALL COORDINATE GEOTECHNICAL TESTING PER ECM STANDARDS. PAVEMENT DESIGN SHALL BE APPROVED BY EL PASO COUNTY DSD PRIOR TO PLACEMENT OF CURB AND GUTTER AND PAVEMENT.
- ALL CONSTRUCTION TRAFFIC MUST ENTER/EXIT THE SITE AT APPROVED CONSTRUCTION ACCESS POINTS.
- SIGHT VISIBILITY TRIANGLES AS IDENTIFIED IN THE PLANS SHALL BE PROVIDED AT ALL INTERSECTIONS. OBSTRUCTIONS GREATER THAN 18 INCHES ABOVE FLOWLINE ARE NOT ALLOWED WITHIN SIGHT TRIANGLES.
- SIGNING AND STRIPING SHALL COMPLY WITH EL PASO COUNTY DOT AND MUTCD CRITERIA.
- CONTRACTOR SHALL OBTAIN ANY PERMITS REQUIRED BY EL PASO COUNTY DOT, INCLUDING WORK WITHIN THE RIGHT-OF-WAY AND SPECIAL TRANSPORT PERMITS.
- THE LIMITS OF CONSTRUCTION SHALL REMAIN WITHIN THE PROPERTY LINE UNLESS OTHERWISE NOTED. THE OWNER/DEVELOPER SHALL OBTAIN WRITTEN PERMISSION AND EASEMENTS, WHERE REQUIRED, FROM ADJOINING PROPERTY OWNER(S) PRIOR TO ANY OFF-SITE DISTURBANCE, GRADING, OR CONSTRUCTION.

GRADING NOTES:

- STORMWATER DISCHARGES FROM CONSTRUCTION SITES SHALL NOT CAUSE OR THREATEN TO CAUSE POLLUTION, CONTAMINATION, OR DEGRADATION OF STATE WATERS. ALL WORK AND EARTH DISTURBANCE SHALL BE DONE IN A MANNER THAT MINIMIZES POLLUTION OF ANY ON-SITE OR OFF-SITE WATERS, INCLUDING WETLANDS.
- NOTWITHSTANDING ANYTHING DEPICTED IN THESE PLANS IN WORDS OR GRAPHIC REPRESENTATION, ALL DESIGN AND CONSTRUCTION RELATED TO ROADS, STORM DRAINAGE AND EROSION CONTROL SHALL CONFORM TO THE STANDARDS AND REQUIREMENTS OF THE MOST RECENT VERSION OF THE RELEVANT ADOPTED EL PASO COUNTY STANDARDS, INCLUDING THE LAND DEVELOPMENT CODE, THE ENGINEERING CRITERIA MANUAL, THE DRAINAGE CRITERIA MANUAL, AND THE DRAINAGE CRITERIA MANUAL VOLUME 2. ANY DEVIATIONS FROM REGULATIONS AND STANDARDS MUST BE REQUESTED, AND APPROVED, IN WRITING.
- A SEPARATE STORMWATER MANAGEMENT PLAN (SWMP) FOR THIS PROJECT SHALL BE COMPLETED AND AN EROSION AND STORMWATER QUALITY CONTROL PERMIT (ESQCP) ISSUED PRIOR TO COMMENCING CONSTRUCTION. MANAGEMENT OF THE SWMP DURING CONSTRUCTION IS THE RESPONSIBILITY OF THE DESIGNATED QUALIFIED STORMWATER MANAGER OR CERTIFIED EROSION CONTROL INSPECTOR. THE SWMP SHALL BE LOCATED ON SITE AT ALL TIMES DURING CONSTRUCTION AND SHALL BE KEPT UP TO DATE WITH WORK PROGRESS AND CHANGES IN THE FIELD.
- ONCE THE ESQCP IS APPROVED AND A "NOTICE TO PROCEED" HAS BEEN ISSUED, THE CONTRACTOR MAY INSTALL THE INITIAL STAGE EROSION AND SEDIMENT CONTROL MEASURES AS INDICATED ON THE APPROVED DEC. A PRE-CONSTRUCTION MEETING BETWEEN THE CONTRACTOR, ENGINEER, AND EL PASO COUNTY WILL BE HELD PRIOR TO ANY CONSTRUCTION. IT IS THE RESPONSIBILITY OF THE APPLICANT TO COORDINATE THE MEETING TIME AND PLACE WITH COUNTY STAFF.
- CONTROL MEASURES MUST BE INSTALLED PRIOR TO COMMENCEMENT OF ACTIVITIES THAT COULD CONTRIBUTE POLLUTANTS TO STORMWATER. CONTROL MEASURES FOR ALL SLOPES, CHANNELS, DITCHES, AND DISTURBED LAND AREAS SHALL BE INSTALLED IMMEDIATELY UPON COMPLETION OF THE DISTURBANCE.
- ALL TEMPORARY SEDIMENT AND EROSION CONTROL MEASURES SHALL BE MAINTAINED AND REMAIN IN EFFECTIVE OPERATING CONDITION UNTIL PERMANENT SOIL EROSION CONTROL MEASURES ARE IMPLEMENTED AND FINAL STABILIZATION IS ESTABLISHED. ALL PERSONS ENGAGED IN LAND DISTURBANCE ACTIVITIES SHALL ASSESS THE ADEQUACY OF CONTROL MEASURES AT THE SITE AND IDENTIFY IF CHANGES TO THOSE CONTROL MEASURES ARE NEEDED TO ENSURE THE CONTINUED EFFECTIVE PERFORMANCE OF THE CONTROL MEASURES. ALL CHANGES TO TEMPORARY SEDIMENT AND EROSION CONTROL MEASURES MUST BE INCORPORATED INTO THE STORMWATER MANAGEMENT PLAN.
- TEMPORARY STABILIZATION SHALL BE IMPLEMENTED ON DISTURBED AREAS AND STOCKPILES WHERE GROUND DISTURBING CONSTRUCTION ACTIVITY HAS PERMANENTLY CEASED OR TEMPORARILY CEASED FOR LONGER THAN 14 DAYS.
- FINAL STABILIZATION MUST BE IMPLEMENTED AT ALL APPLICABLE CONSTRUCTION SITES. FINAL STABILIZATION IS ACHIEVED WHEN ALL GROUND DISTURBING ACTIVITIES ARE COMPLETE AND ALL DISTURBED AREAS EITHER HAVE A UNIFORM VEGETATIVE COVER WITH INDIVIDUAL PLANT DENSITY OF 70 PERCENT OF PRE-DISTURBANCE LEVELS ESTABLISHED OR EQUIVALENT PERMANENT ALTERNATIVE STABILIZATION METHOD IS IMPLEMENTED. ALL TEMPORARY SEDIMENT AND EROSION CONTROL MEASURES SHALL BE REMOVED UPON FINAL STABILIZATION AND BEFORE PERMIT CLOSURE.
- ALL PERMANENT STORMWATER MANAGEMENT FACILITIES SHALL BE INSTALLED AS DESIGNED IN THE APPROVED PLANS. ANY PROPOSED CHANGES THAT AFFECT THE DESIGN OR FUNCTION OF PERMANENT STORMWATER MANAGEMENT STRUCTURES MUST BE APPROVED BY THE ECM ADMINISTRATOR PRIOR TO IMPLEMENTATION.
- EARTH DISTURBANCES SHALL BE CONDUCTED IN SUCH A MANNER SO AS TO EFFECTIVELY MINIMIZE ACCELERATED SOIL EROSION AND RESULTING SEDIMENTATION. ALL DISTURBANCES SHALL BE DESIGNED, CONSTRUCTED, AND COMPLETED SO THAT THE EXPOSED AREA OF ANY DISTURBED LAND SHALL BE LIMITED TO THE SHORTEST PRACTICAL PERIOD OF TIME. PRE-EXISTING VEGETATION SHALL BE PROTECTED AND MAINTAINED WITHIN 50 HORIZONTAL FEET OF A WATERS OF THE STATE UNLESS SHOWN TO BE INFEASIBLE AND SPECIFICALLY REQUESTED AND APPROVED.
- COMPACTION OF SOIL MUST BE PREVENTED IN AREAS DESIGNATED FOR INFILTRATION CONTROL MEASURES OR WHERE FINAL STABILIZATION WILL BE ACHIEVED BY VEGETATIVE COVER. AREAS DESIGNATED FOR INFILTRATION CONTROL MEASURES SHALL ALSO BE PROTECTED FROM SEDIMENTATION DURING CONSTRUCTION UNTIL FINAL STABILIZATION IS ACHIEVED. IF COMPACTION PREVENTION IS NOT FEASIBLE DUE TO SITE CONSTRAINTS, ALL AREAS DESIGNATED FOR INFILTRATION AND VEGETATION CONTROL MEASURES MUST BE LOOSENEED PRIOR TO INSTALLATION OF THE CONTROL MEASURE(S).
- ANY TEMPORARY OR PERMANENT FACILITY DESIGNED AND CONSTRUCTED FOR THE CONVEYANCE OF STORMWATER AROUND, THROUGH, OR FROM THE EARTH DISTURBANCE AREA SHALL BE A STABILIZED CONVEYANCE DESIGNED TO MINIMIZE EROSION AND THE DISCHARGE OF SEDIMENT OFF SITE.
- CONCRETE WASH WATER SHALL BE CONTAINED AND DISPOSED OF IN ACCORDANCE WITH THE SWMP. NO WASH WATER SHALL BE DISCHARGED TO OR ALLOWED TO ENTER STATE WATERS, INCLUDING ANY SURFACE OR SUBSURFACE STORM DRAINAGE SYSTEM OR FACILITIES. CONCRETE WASHOUTS SHALL NOT BE LOCATED IN AN AREA WHERE SHALLOW GROUNDWATER MAY BE PRESENT, OR WITHIN 50 FEET OF A SURFACE WATER BODY, CREEK OR STREAM.
- DURING DEWATERING OPERATIONS OF UNCONTAMINATED GROUND WATER MAY BE DISCHARGED ON SITE, BUT SHALL NOT LEAVE THE SITE IN THE FORM OF SURFACE RUNOFF UNLESS AN APPROVED STATE DEWATERING PERMIT IS IN PLACE.
- EROSION CONTROL BLANKETING OR OTHER PROTECTIVE COVERING SHALL BE USED ON SLOPES STEEPER THAN 3:1.
- CONTRACTOR SHALL BE RESPONSIBLE FOR THE REMOVAL OF ALL WASTES FROM THE CONSTRUCTION SITE FOR DISPOSAL IN ACCORDANCE WITH LOCAL AND STATE REGULATORY REQUIREMENTS. NO CONSTRUCTION DEBRIS, TREE SLASH, BUILDING MATERIAL WASTES OR UNUSED BUILDING MATERIALS SHALL BE BURIED, DUMPED, OR DISCHARGED AT THE SITE.
- WASTE MATERIALS SHALL NOT BE TEMPORARILY PLACED OR STORED IN THE STREET, ALLEY, OR OTHER PUBLIC WAY, UNLESS IN ACCORDANCE WITH AN APPROVED TRAFFIC CONTROL PLAN. CONTROL MEASURES MAY BE REQUIRED BY EL PASO COUNTY ENGINEERING IF DEEMED NECESSARY, BASED ON SPECIFIC CONDITIONS AND CIRCUMSTANCES.
- TRACKING OF SOILS AND CONSTRUCTION DEBRIS OFF-SITE SHALL BE MINIMIZED. MATERIALS TRACKED OFF-SITE SHALL BE CLEANED UP AND PROPERLY DISPOSED OF IMMEDIATELY.
- THE OWNER/DEVELOPER SHALL BE RESPONSIBLE FOR THE REMOVAL OF ALL CONSTRUCTION DEBRIS, DIRT, TRASH, ROCK, SEDIMENT, SOIL, AND SAND THAT MAY ACCUMULATE IN ROADS, STORM DRAINS AND OTHER DRAINAGE CONVEYANCE SYSTEMS AND STORMWATER APPURTENANCES AS A RESULT OF SITE DEVELOPMENT.
- THE QUANTITY OF MATERIALS STORED ON THE PROJECT SITE SHALL BE LIMITED, AS MUCH AS PRACTICAL, TO THAT QUANTITY REQUIRED TO PERFORM THE WORK IN AN ORDERLY SEQUENCE. ALL MATERIALS STORED ON-SITE SHALL BE STORED IN A NEAT, ORDERLY MANNER, IN THEIR ORIGINAL CONTAINERS, WITH ORIGINAL MANUFACTURER'S LABELS.
- NO CHEMICAL(S) HAVING THE POTENTIAL TO BE RELEASED IN STORMWATER ARE TO BE STORED OR USED ONSITE UNLESS PERMISSION FOR THE USE OF SUCH CHEMICAL(S) IS GRANTED IN WRITING BY THE ECM ADMINISTRATOR. IN GRANTING APPROVAL FOR THE USE OF SUCH CHEMICAL(S), SPECIAL CONDITIONS AND MONITORING MAY BE REQUIRED.
- BULK STORAGE OF ALLOWED PETROLEUM PRODUCTS OR OTHER ALLOWED LIQUID CHEMICALS IN EXCESS OF 55 GALLONS SHALL REQUIRE ADEQUATE SECONDARY CONTAINMENT PROTECTION TO CONTAIN ALL SPILLS ONSITE AND TO PREVENT ANY SPILLED MATERIALS FROM ENTERING STATE WATERS, ANY SURFACE OR SUBSURFACE STORM DRAINAGE SYSTEM OR OTHER FACILITIES.
- NO PERSON SHALL CAUSE THE IMPEDIMENT OF STORMWATER FLOW IN THE CURB AND GUTTER OR DITCH EXCEPT WITH APPROVED SEDIMENT CONTROL MEASURES.
- OWNER/DEVELOPER AND THEIR AGENTS SHALL COMPLY WITH THE "COLORADO WATER QUALITY CONTROL ACT" (TITLE 25, ARTICLE 8, CRS), AND THE "CLEAN WATER ACT" (33 USC 1344), IN ADDITION TO THE REQUIREMENTS OF THE LAND DEVELOPMENT CODE, DOM VOLUME II AND THE ECM APPENDIX I. ALL APPROPRIATE PERMITS MUST BE OBTAINED BY THE CONTRACTOR PRIOR TO CONSTRUCTION (CWA, NPDES, FLOODPLAIN, 404, FUGITIVE DUST, ETC.) IN THE EVENT OF CONFLICTS BETWEEN THESE REQUIREMENTS AND OTHER LAWS, RULES, OR REGULATIONS OF OTHER FEDERAL, STATE, LOCAL, OR COUNTY AGENCIES, THE MOST RESTRICTIVE LAWS, RULES, OR REGULATIONS SHALL APPLY.
- ALL CONSTRUCTION TRAFFIC MUST ENTER/EXIT THE SITE ONLY AT APPROVED CONSTRUCTION ACCESS POINTS.
- PRIOR TO CONSTRUCTION THE PERMITTEE SHALL VERIFY THE LOCATION OF EXISTING UTILITIES.
- A WATER SOURCE SHALL BE AVAILABLE ON SITE DURING EARTHWORK OPERATIONS AND SHALL BE UTILIZED AS REQUIRED TO MINIMIZE DUST FROM EARTHWORK EQUIPMENT AND WIND.
- THE SOILS REPORT FOR THIS SITE HAS BEEN PREPARED BY ENTECH ENGINEERING AND SHALL BE CONSIDERED A PART OF THESE PLANS.
- AT LEAST TEN (10) DAYS PRIOR TO THE ANTICIPATED START OF CONSTRUCTION, FOR PROJECTS THAT WILL DISTURB ONE (1) ACRE OR MORE, THE OWNER OR OPERATOR OF CONSTRUCTION ACTIVITY SHALL SUBMIT A PERMIT APPLICATION FOR STORMWATER DISCHARGE TO THE COLORADO DEPARTMENT OF PUBLIC HEALTH AND ENVIRONMENT, WATER QUALITY DIVISION. THE APPLICATION CONTAINS CERTIFICATION OF COMPLETION OF A STORMWATER MANAGEMENT PLAN (SWMP), OF WHICH THIS GRADING AND EROSION CONTROL PLAN MAY BE A PART. FOR INFORMATION OR APPLICATION MATERIALS CONTACT:
COLORADO DEPARTMENT OF PUBLIC HEALTH AND ENVIRONMENT
WQCD - PERMITS
4300 CHERRY CREEK DRIVE SOUTH
DENVER, CO 80246-1530
ATTN: PERMITS UNIT

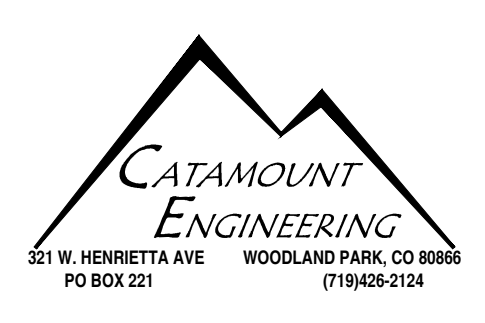
REV.	DESCRIPTION	DATE

811 Know what's below.
Call 72 hours before you dig.
For more details visit:
www.call811.com

BASIS OF BEARINGS
THE WESTERN BOUNDARY OF VILLAS AT CLAREMONT.
HAVING AN ASSUMED BEARING OF: N 00°07'45" E

PREPARED FOR:
PHI REAL ESTATE SERVICES, LLC
200 W. CITY CENTER DR. STE 200
PUEBLO, CO 81003

BENCHMARK
FIMS MONUMENT SR08; A 2 INCH DIA. ALUM. FIMS CAP STAMPED "CSU FIMS CONTROL SR08" ON THE NORTHEAST CORNER OF THE CONCRETE BASE OF THE ELECTRIC VAULT NUMBER 08410 ON THE WEST SIDE OF PETERSON ROAD, ABOUT 110 FEET NORTH OF THE NORTH CURB OF CONSTITUTION AVENUE.
ELEVATION: 6522.67



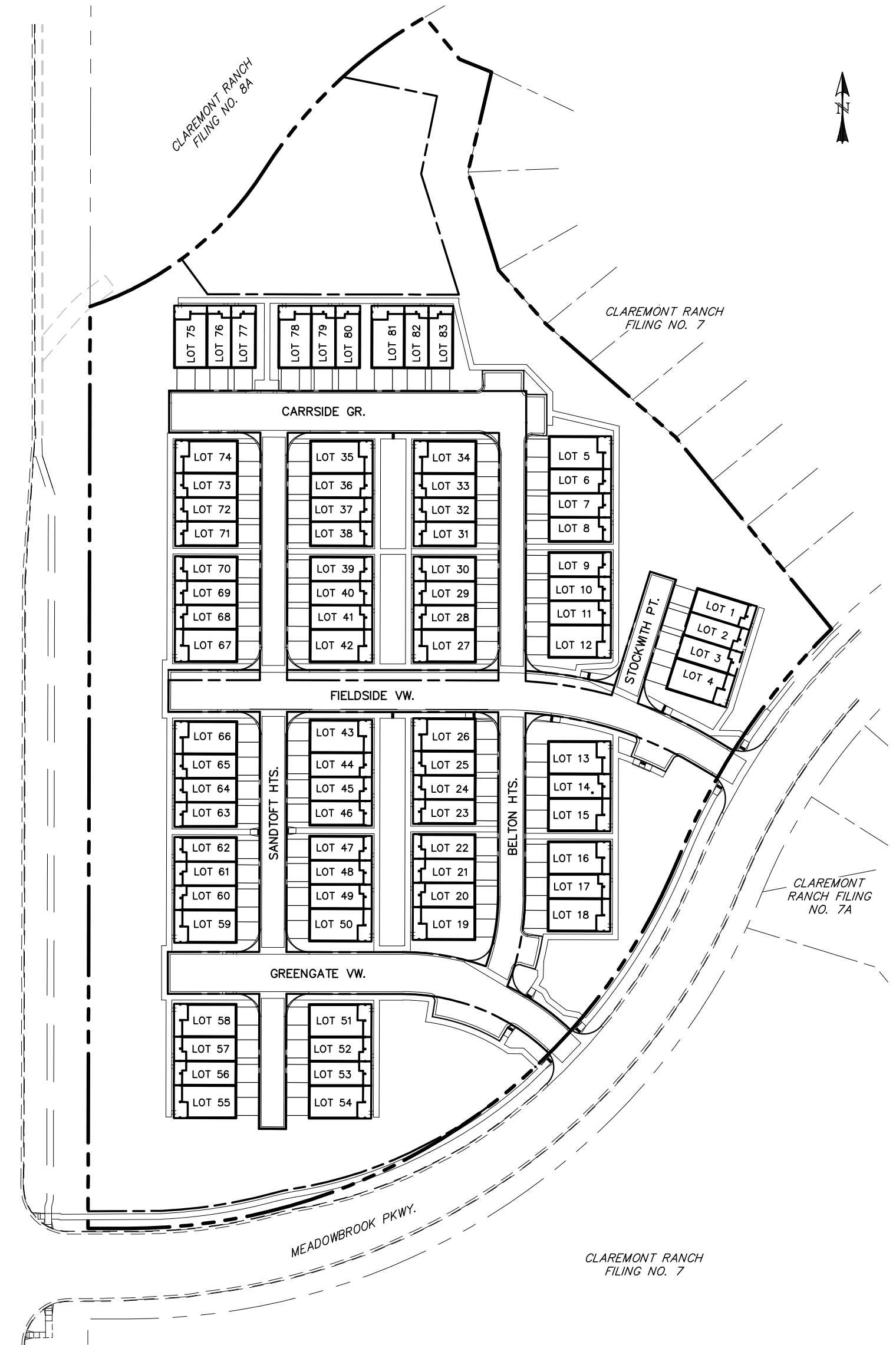
THE VILLAS AT CLAREMONT RANCH
DESIGNED BY: MGP DRAWN BY: MGP
SCALE: N/A DATE: 07/15/22
GRADING & EROSION CONTROL PLAN
INTERIM AND VERTICAL PHASES
JOB NUMBER: SHEET
1 OF 4

THE VILLAS AT CLAREMONT RANCH

GRADING & EROSION CONTROL PLAN

INTERIM & VERTICAL PHASES

EL PASO COUNTY, COLORADO



SITE MAP
SCALE: N.T.S.

LEGEND

- EXISTING
- PROPOSED
- CURB & GUTTER
- EASEMENT
- PUBLIC
- PUBLIC IMPROVEMENT
- BEGIN TRANSITION
- END TRANSITION
- CURB RETURN
- POINT OF CURVATURE
- POINT OF TANGENCY
- POINT ON CURVE
- POINT OF COMPOUND CURVATURE
- POINT OF REVERSE CURVATURE
- RADIUS POINT
- TYPE 'A' CURB AND GUTTER

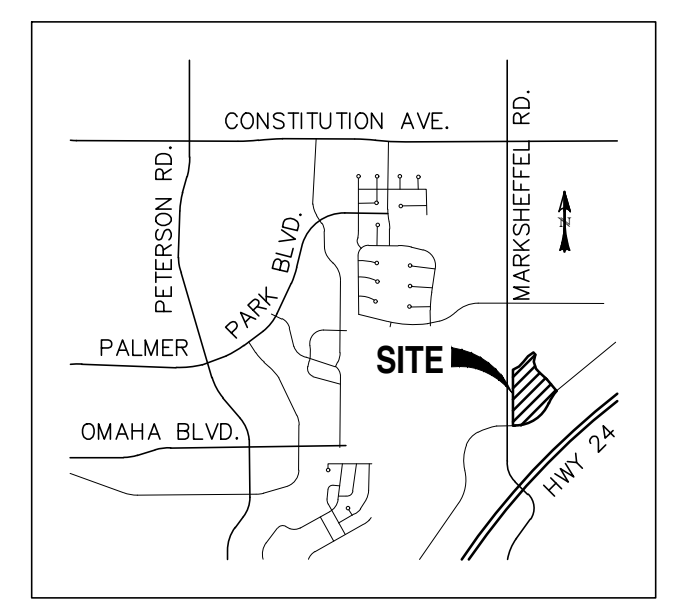
- (E) PROPERTY BOUNDARY
- (P) RIGHT-OF-WAY
- C&G LOT LINE
- ESMT EASEMENT
- PUB (E) CONTOUR, INDEX
- PI (E) CONTOUR
- BT (E) STORM SEWER
- ET (P) CONTOUR, INDEX
- CR (P) CONTOUR
- PC (P) STORM SEWER, INLET, MH
- PT LIMITS OF CONSTRUCTION / LIMITS OF DISTURBANCE
- POC POINT ON CURVE
- PRC POINT OF COMPOUND CURVATURE
- PPC POINT OF REVERSE CURVATURE
- RP RADIUS POINT
- [A] TYPE 'A' CURB AND GUTTER

BMP LEGEND

- SILT FENCE
- VEHICLE TRACKING CONTROL
- CONCRETE WASHOUT AREA
- SEDIMENT CONTROL LOG
- ROCK SOCK
- STABILIZED STAGING AREA
- STOCKPILE PROTECTION
- PORTABLE TOILET MAINTENANCE
- DRAINAGE SWALE
- TEMPORARY SEDIMENT BASIN

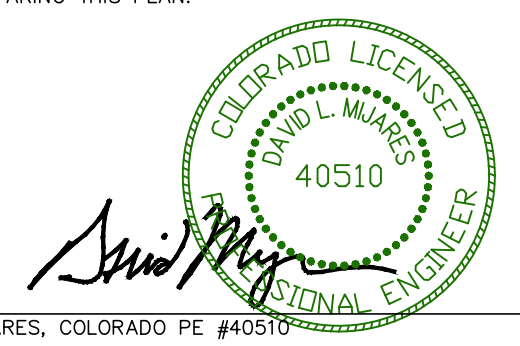
SHEET INDEX:

TITLE SHEET	1	OF	5
GRADING & EROSION CONTROL PLAN—INITIAL	2	OF	5
GRADING & EROSION CONTROL PLAN—INTERIM AND VERTICAL	3	OF	5
DETAIL SHEET	4	OF	5
DETAIL SHEET	5	OF	5



DESIGN ENGINEER'S STATEMENT:

THIS GRADING AND EROSION CONTROL PLAN WAS PREPARED UNDER MY DIRECTION AND SUPERVISION AND IS CORRECT TO THE BEST OF MY KNOWLEDGE AND BELIEF. SAID PLAN HAS BEEN PREPARED ACCORDING TO THE CRITERIA ESTABLISHED BY THE COUNTY FOR GRADING AND EROSION CONTROL PLANS. I ACCEPT RESPONSIBILITY FOR ANY LIABILITY CAUSED BY ANY NEGLIGENT ACTS, ERRORS OR OMISSIONS ON MY PART IN PREPARING THIS PLAN.



DAVID L. MJARES, COLORADO PE #40510
12/09/22
DATE

OWNER STATEMENT:

I, PAUL BROUSSARD HAVE READ AND WILL COMPLY WITH ALL OF THE REQUIREMENTS SPECIFIED IN THESE DETAILED PLANS AND SPECIFICATIONS.

NAME, TITLE: Paul Broussard, Director of Operations
12/14/2022
DATE
BUSINESS NAME: PHI REAL ESTATE SERVICES, LLC
ADDRESS: 200 W. CITY CENTER DRIVE, SUITE 200
PUEBLO, CO 81003

EL PASO COUNTY APPROVAL:

COUNTY PLAN REVIEW IS PROVIDED ONLY FOR GENERAL CONFORMANCE WITH COUNTY DESIGN CRITERIA. THE COUNTY IS NOT RESPONSIBLE FOR THE ACCURACY AND ADEQUACY OF THE DESIGN, DIMENSIONS, AND/OR ELEVATIONS WHICH SHALL BE CONFIRMED AT THE JOB SITE. THE COUNTY THROUGH THE APPROVAL OF THIS DOCUMENT ASSUMES NO RESPONSIBILITY FOR COMPLETENESS AND/OR ACCURACY OF THIS DOCUMENT.

FILED IN ACCORDANCE WITH THE REQUIREMENTS OF THE EL PASO COUNTY LAND DEVELOPMENT CODE, DRAINAGE CRITERIA MANUAL, VOLUMES 1 AND 2, AND ENGINEERING CRITERIA MANUAL AS AMENDED.

IN ACCORDANCE WITH ECM SECTION 1.12, THESE CONSTRUCTION DOCUMENTS WILL BE VALID FOR CONSTRUCTION FOR A PERIOD OF 2 YEARS FROM THE DATE SIGNED BY THE EL PASO COUNTY ENGINEER. IF CONSTRUCTION HAS NOT STARTED WITHIN THOSE 2 YEARS, THE PLANS WILL NEED TO BE RESUBMITTED FOR APPROVAL, INCLUDING PAYMENT OF REVIEW FEES AT THE PLANNING AND COMMUNITY DEVELOPMENT DIRECTORS DISCRETION.



JOSH PALMER, P.E.
COUNTY ENGINEER / EMC ADMINISTRATOR
DATE

BASIC GRADING, EROSION AND STORMWATER QUALITY REQUIREMENTS AND GENERAL PROHIBITIONS:

- *INFORMATION TAKEN FROM THE EL PASO COUNTY DRAINAGE CRITERIA MANUAL VOLUME 2, HEREIN REFERRED TO AS THE "MANUAL."
- STORMWATER DISCHARGES FROM CONSTRUCTION SITES SHALL NOT CAUSE OR THREATEN TO CAUSE POLLUTION, CONTAMINATION, OR DEGRADATION OF STATE WATERS. ALL WORK AND EARTH DISTURBANCE SHALL BE DONE IN A MANNER THAT MINIMIZES POLLUTION OF ANY ON-SITE OR OFF-SITE WATERS, INCLUDING WETLANDS.
 - CONCRETE WASH WATER SHALL NOT BE DISCHARGED TO OR ALLOWED TO RUNOFF TO STATE WATERS, INCLUDING ANY SURFACE OR SUBSURFACE STORM DRAINAGE SYSTEM FACILITIES.
 - BUILDING, CONSTRUCTION, EXCAVATION, OR OTHER WASTE MATERIALS SHALL NOT BE TEMPORARILY PLACED OR STORED IN THE STREET, ALLEY, OR OTHER PUBLIC WAY, UNLESS IN ACCORDANCE WITH AN APPROVED TRAFFIC CONTROL PLAN. BMP'S MAY BE REQUIRED BY COUNTY ENGINEERING IF DEEMED NECESSARY, BASED ON SPECIFIC CONDITIONS AND CIRCUMSTANCES (E.G., ESTIMATED TIME OF EXPOSURE, SEASON OF THE YEAR, ETC.).
 - VEHICLE TRACKING OF SOILS OFF-SITE SHALL BE MINIMIZED.
 - ALL WASTES COMPOSED OF BUILDING MATERIALS MUST BE REMOVED FROM THE CONSTRUCTION SITE FOR DISPOSAL IN ACCORDANCE WITH LOCAL AND STATE REGULATORY REQUIREMENTS. NO BUILDING MATERIAL WASTES OR UNUSED BUILDING MATERIALS SHALL BE BURIED, DUMPED, OR DISCHARGED AT THE SITE.
 - NO CHEMICALS ARE TO BE USED BY THE CONTRACTOR, WHICH HAVE THE POTENTIAL TO BE RELEASED IN STORMWATER UNLESS PERMISSION FOR THE USE OF A SPECIFIC CHEMICAL IS GRANTED IN WRITING BY THE COUNTY ENGINEER. IN GRANTING THE USE OF SUCH CHEMICALS, SPECIAL CONDITIONS AND MONITORING MAY BE REQUIRED.
 - BULK STORAGE STRUCTURES FOR PETROLEUM PRODUCTS AND OTHER CHEMICALS SHALL HAVE ADEQUATE PROTECTION SO AS TO CONTAIN ALL SPILLS AND PREVENT ANY SPILLED MATERIAL FROM ENTERING STATE WATERS, INCLUDING ANY SURFACE OR SUBSURFACE STORM DRAINAGE SYSTEM OR FACILITIES.
 - ALL PERSONS ENGAGED IN EARTH DISTURBANCE SHALL IMPLEMENT AND MAINTAIN ACCEPTABLE SOIL EROSION AND SEDIMENT CONTROL MEASURES INCLUDING BMP'S IN CONFORMANCE WITH THE EROSION CONTROL TECHNICAL STANDARDS OF THE MANUAL AND IN ACCORDANCE WITH THE EROSION AND STORMWATER QUALITY CONTROL PLAN APPROVED BY THE COUNTY OF EL PASO, IF REQUIRED.
 - ALL TEMPORARY EROSION CONTROL FACILITIES INCLUDING BMP'S AND ALL PERMANENT FACILITIES INTENDED TO CONTROL EROSION OF ANY EARTH DISTURBANCE OPERATIONS, SHALL BE INSTALLED AS DEFINED IN THE APPROVED PLANS AND THE MANUAL AND MAINTAINED THROUGHOUT THE DURATION OF THE EARTH DISTURBANCE OPERATION. THE INSTALLATION OF THE FIRST LEVEL OF TEMPORARY EROSION CONTROL FACILITIES AND BMP'S SHALL BE INSTALLED AND INSPECTED PRIOR TO ANY EARTH DISTURBANCE OPERATIONS TAKING PLACE.
 - ANY EARTH DISTURBANCE SHALL BE CONDUCTED IN SUCH A MANNER SO AS TO EFFECTIVELY REDUCE ACCELERATED SOIL EROSION AND RESULTING SEDIMENTATION.
 - ALL EARTH DISTURBANCES SHALL BE DESIGNED, CONSTRUCTED, AND COMPLETED IN SUCH A MANNER SO THAT THE EXPOSED AREA OF ANY DISTURBED LAND SHALL BE LIMITED TO THE SHORTEST PRACTICAL PERIOD OF TIME.
 - ALL WORK AND EARTH DISTURBANCE SHALL BE DONE IN A MANNER THAT MINIMIZES POLLUTION OF ANY ON-SITE OR OFF-SITE WATERS, INCLUDING WETLANDS.
 - SUSPENDED SEDIMENT CAUSED BY ACCELERATED SOIL EROSION SHALL BE MINIMIZED IN RUNOFF WATER BEFORE IT LEAVES THE SITE OF THE EARTH DISTURBANCE.
 - ANY TEMPORARY OR PERMANENT FACILITY DESIGNED AND CONSTRUCTED FOR THE CONVEYANCE OF STORMWATER AROUND, THROUGH, OR FROM THE EARTH DISTURBANCE AREA SHALL BE DESIGNED TO LIMIT THE DISCHARGE TO A NON-EROSIVE VELOCITY.
 - TEMPORARY SOIL EROSION CONTROL FACILITIES SHALL BE REMOVED AND EARTH DISTURBANCE AREAS GRADED AND STABILIZED WITH PERMANENT SOIL EROSION CONTROL MEASURES PURSUANT TO THE STANDARDS AND SPECIFICATIONS PRESCRIBED IN THE MANUAL, AND IN ACCORDANCE WITH THE PERMANENT EROSION CONTROL FEATURES SHOWN ON THE EROSION AND STORMWATER QUALITY CONTROL PLANS APPROVED BY THE COUNTY OF EL PASO, IF REQUIRED.
 - SOIL EROSION CONTROL MEASURES FOR ALL SLOPES, CHANNELS, DITCHES, OR ANY DISTURBED LAND AREA SHALL BE COMPLETED WITHIN TWENTY-ONE (21) CALENDAR DAYS AFTER FINAL GRADING, OR FINAL EARTH DISTURBANCE, HAS BEEN COMPLETED. DISTURBED AREAS AND STOCKPILES WHICH ARE NOT AT FINAL GRADE BUT WILL REMAIN DORMANT FOR LONGER THAN 30 DAYS SHALL ALSO BE MULCHED WITHIN 21 DAYS AFTER INTERIM GRADING. AN AREA THAT IS GOING TO REMAIN IN AN INTERIM STATE FOR MORE THAN 30 DAYS SHALL ALSO BE SEEDED. ALL TEMPORARY SOIL EROSION CONTROL MEASURES AND BMP'S SHALL BE MAINTAINED UNTIL PERMANENT SOIL EROSION CONTROL MEASURES ARE IMPLEMENTED.
 - NO PERSON SHALL CAUSE, PERMIT, OR CONTRIBUTE TO THE DISCHARGE INTO THE MUNICIPAL SEWER STORM SEWER POLLUTANTS THAT COULD CAUSE THE COUNTY OF EL PASO TO BE IN VIOLATION OF ITS COLORADO DISCHARGE PERMIT SYSTEM MUNICIPAL STORMWATER DISCHARGE PERMIT.
 - THE OWNER, SITE DEVELOPER, CONTRACTOR, AND/OR THEIR AUTHORIZED AGENTS SHALL BE RESPONSIBLE FOR THE REMOVAL OF ALL CONSTRUCTION DEBRIS, DIRT, TRASH, ROCK, SEDIMENT, AND SAND THAT MAY ACCUMULATE IN THE STORM SEWER OR OTHER DRAINAGE CONVEYANCE SYSTEM AND STORMWATER APPURTENANCES AS A RESULT OF SITE DEVELOPMENT.
 - NO PERSON SHALL CAUSE THE IMPEDIMENT OF STORMWATER FLOW IN THE FLOW LINE OF THE CURB AND GUTTER, INCLUDING THE TEMPORARY OR PERMANENT FRAMING WITH MATERIALS FOR VEHICLE ACCESS.
 - INDIVIDUALS SHALL COMPLY WITH THE "COLORADO WATER QUALITY CONTROL ACT" (TITLE 25, ARTICLE 8, CRS), AND THE "CLEAN WATER ACT" (16 USC 1364), REGULATIONS PROMULGATED, CERTIFICATIONS OR PERMITS ISSUED, IN ADDITION TO THE REQUIREMENTS INCLUDED IN THE MANUAL. IN THE EVENT OF CONFLICTS BETWEEN THESE REQUIREMENTS AND WATER QUALITY CONTROL LAWS, RULES, OR REGULATIONS OF OTHER FEDERAL OR STATE AGENCIES, THE MORE RESTRICTIVE LAWS, RULES, OR REGULATIONS SHALL APPLY.
 - THE QUANTITY OF MATERIALS STORED ON THE PROJECT SITE SHALL BE LIMITED, AS MUCH AS PRACTICAL, TO THAT QUANTITY REQUIRED TO PERFORM WORK IN AN ORDERLY SEQUENCE. ALL MATERIALS STORED ON-SITE SHALL BE STORED IN A NEAT, ORDERLY MANNER, IN THEIR ORIGINAL CONTAINERS, WITH ORIGINAL MANUFACTURER'S LABELS. MATERIALS SHALL NOT BE STORED IN A LOCATION WHERE THEY MAY BE CARRIED BY STORMWATER RUNOFF INTO A STATE WATER AT ANY TIME.
 - SPILL PREVENTION AND CONTAINMENT MEASURES SHALL BE USED AT STORAGE, AND EQUIPMENT FUELING AND SERVICING AREAS TO PREVENT THE POLLUTION OF ANY STATE WATERS, INCLUDING WETLANDS. ALL SPILLS SHALL BE CLEANED UP IMMEDIATELY AFTER DISCOVERY, OR CONTAINED UNTIL APPROPRIATE CLEANUP METHODS CAN BE EMPLOYED. MANUFACTURER'S RECOMMENDED METHODS FOR SPILL CLEANUP SHALL BE FOLLOWED, ALONG WITH PROPER DISPOSAL METHODS.

EXISTING VEGETATION NOTE:
EXISTING LOT VEGETATION CONSISTS OF SPARSE NATIVE GRASSES AND A FEW SHRUBS. ALL EXISTING (SPARSE) VEGETATION SHALL BE REMOVED PRIOR TO CONSTRUCTION.

BMP INSTALLATION STAGING NOTES:

- STAGE 1 - PRE-DISTURBANCE**
INSTALL INITIAL STORMWATER QUALITY (SWQ) BEST MANAGEMENT PRACTICES (BMP'S) AS SHOWN ON THE GRADING AND EROSION CONTROL PLAN PRIOR TO COMMENCEMENT OF GRADING ACTIVITIES. THESE BMP'S CONSIST OF THE PERIMETER CONTROLS OF SILT FENCE, CURB SOCKS, INLET PROTECTION OF EXISTING INLETS, AND THE VEHICLE TRACKING CONTROL PAD.
- STAGE 2 - OVERLIFT GRADING**
COMMENCE THE BULK OF OVERLIFT GRADING OPERATIONS AND INSTALL TEMPORARY BMP'S AS SHOWN ON THE GRADING AND EROSION CONTROL PLAN. TEMPORARY BMP'S MAY CONSIST OF ADDITIONAL SILT FENCE AND SURFACE ROUGHENING OF SLOPES.
- STAGE 3 - INFRASTRUCTURE & BUILDING CONSTRUCTION**
CONSTRUCT SITE IMPROVEMENTS AS SHOWN ON THE APPLICABLE CONSTRUCTION DOCUMENTS. ADDITIONAL TEMPORARY BMP'S CONSISTING OF ADDITIONAL SILT FENCE, CONCRETE WASH-OUT AREA, AND INLET PROTECTION OF PERMANENT DRAINAGE IMPROVEMENTS. ANY STOCKPILED DIRT SHALL BE PROTECTED BY A PERIMETER OF SILT FENCE.
- STAGE 4 - PERMANENT STABILIZATION**
PERMANENT SWQ BMP'S SUCH AS RIP-RAP, CURB & GUTTER, PAVEMENT, LANDSCAPING, AND RESEEDING SHALL BE CONSTRUCTED AT THIS TIME AS OUTLINED ON THE GRADING AND EROSION CONTROL PLAN AND THE LANDSCAPE AND IRRIGATION PLANS, DRAINAGE REPORT, AND/OR CONSTRUCTION DOCUMENTS. ALL DISTURBED AREAS THAT ARE NOT PERMANENTLY PAVED OR LANDSCAPED SHALL BE PERMANENTLY RESEEDED.

LEGEND

EXISTING	(E)
PROPOSED	(P)
CURB AND GUTTER	C&G
PROPERTY BOUNDARY	---
RIGHT-OF-WAY	---
LOT LINE	---
(E) CONTOUR, INDEX	---6400---
(E) CONTOUR	---
(P) CONTOUR, INDEX	---6400---
(P) CONTOUR	---
(E) STORM SEWER	---
(P) STORM SEWER	---
LIMITS OF CONSTRUCTION / LIMITS OF DISTURBANCE	---
DIRECTION OF FLOW	---
OVERLAND FLOW ARROW	---
(E) DRAINAGE SWALE	---

EROSION PROTECTION & REVEGETATION REQUIREMENTS
PER U.S.D.A. SOIL CONSERVATION SERVICE GUIDELINES:

1. PRACTICE NO. & NAME	342 - CRITICAL AREA TREATMENT		
RANGE SITE	SANBY Foothills		
2. PLANNED SEEDING PREP:			
A. METHOD	DRILL		
B. DATES (OCT 15-MAY 31)	INTERSEED		
C. CLEAN TILLED	XX		
FIRM SEEDBED	XX		
STUBBLE COVER	---		
INTERSEED	---		
OTHER	---		
FERTILIZER			
POUNDS ACTUAL PER ACRE	40		
AVAILABLE	40		
P205	40		
K	N/A		
MULCH			
KIND	LONG - STEM NATIVE HAY		
AMOUNT	4,000 POUNDS/ACRE		
HOW APPLIED	N/A		
HOW ANCHORED	DISBURSED		
ANCHORAGE DEPTH	4"		
SEED			
VARIETY	SPECIES	REQUIRED PLS RATES PER ACRES (100%)	
GDSDHEN	PRAIRIE SANDREED	6.5	
VAUGHN	SIBEDATS GRAMMA	9.0	
LDVINGTON	BLUE GRAMMA	3.0	
BLACKWELL	SWITCH GRASS	4.5	
PASTURA	LITTLE BLUESTEM	7.0	
(2) % OF SPECIES IN MIXTURE	(3) PLS SEEDING RATE PER SPECIES/ACRE (1) x (2)	(4) PLANNED ACRES	(5) TOTAL PLS LBS./SPECIES PLANNED (2) x (4)
15	0.98	8.8	8.6
25	2.25	8.8	19.8
15	0.45	8.8	4.0
20	0.90	8.8	7.9
25	1.75	8.8	15.4

SEEDING GUIDELINES

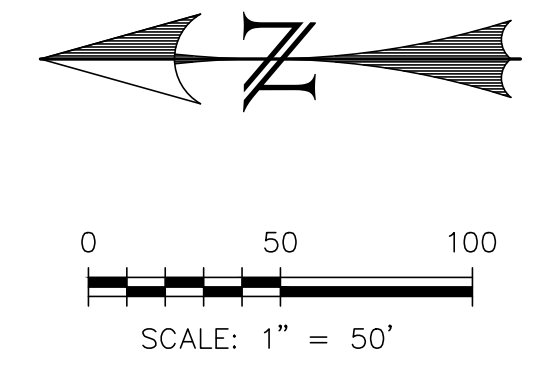
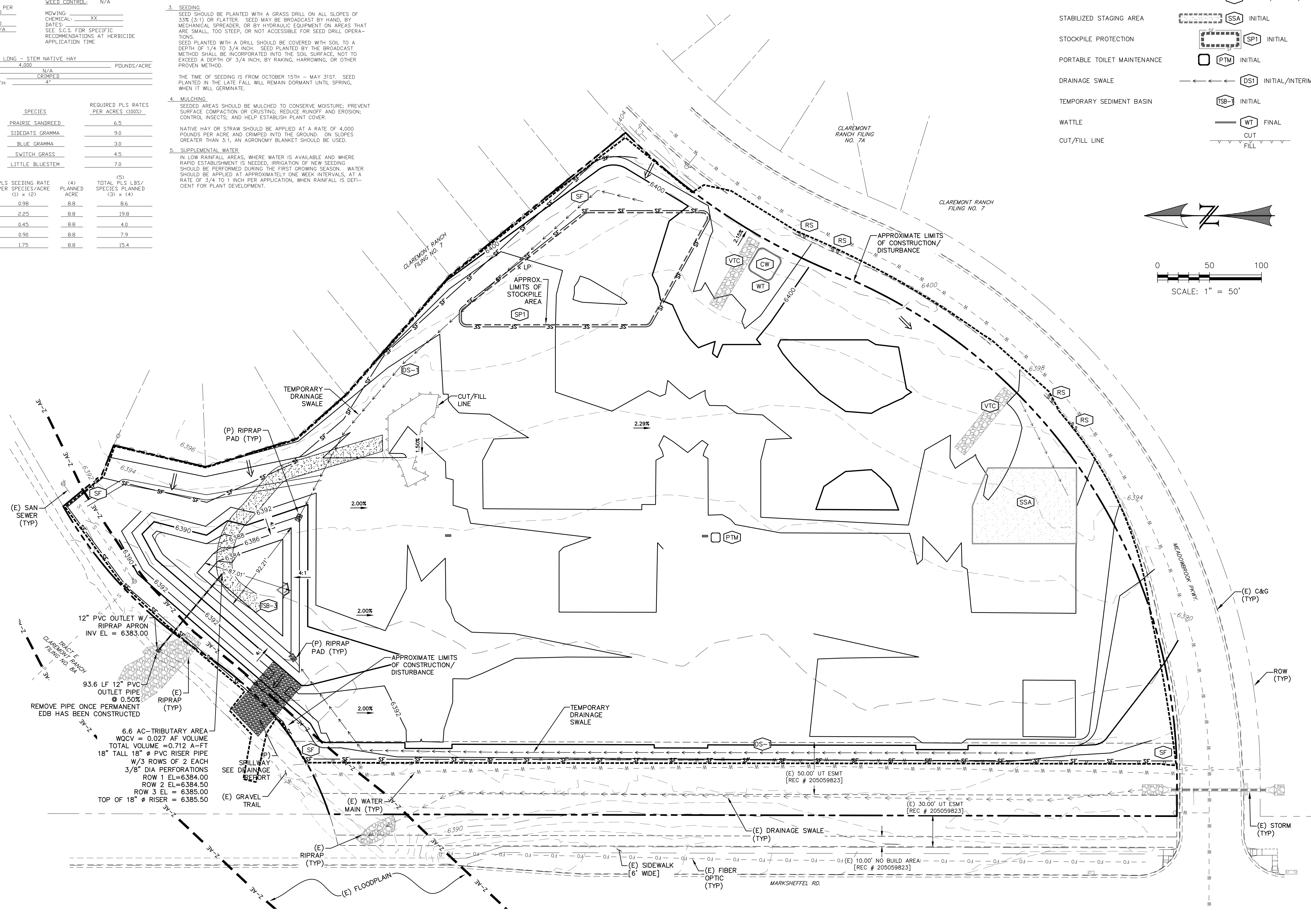
- SEEDBED PREPARATION**
THE SEEDBED SHOULD BE WELL-SETTLED AND FIRM, BUT FRAGILE ENOUGH THAT THE SEED CAN BE PLACED AT THE SPECIFIED DEPTHS. COMPETITIVE STANDS OF WEEDS THAT ARE PRESENT BEFORE SEEDING MUST BE CONTROLLED BY SHALLOW TILLAGE OR BY APPLICATION OF HERBICIDES. SOILS THAT HAVE BEEN OVER-COMPACTED BY TRAFFIC OR EQUIPMENT, ESPECIALLY WHEN WET, SHOULD BE TILLED TO BREAK UP ROOTING-RESTRICTIVE LAYERS, THEN HARROWED, ROLLED, OR PAVED TO PREPARE THE REQUIRED FIRM SEEDBED.
- FERTILIZER**
FERTILIZER SHOULD BE APPLIED AT A RATE OF 50 POUNDS OF AVAILABLE NITROGEN PER ACRE AND 40 POUNDS OF AVAILABLE PHOSPHATE PER ACRE. THE TIME OF APPLICATION SHOULD BE IMMEDIATELY PRIOR TO SEEDING, AT THE TIME OF SEEDING, OR IMMEDIATELY FOLLOWING SEEDING, DEPENDING ON THE KIND OF FERTILIZER AND TYPE OF EQUIPMENT USED.
- SEEDING**
SEED SHOULD BE PLANTED WITH A GRASS DRILL ON ALL SLOPES OF 3% (3:1) OR FLATTER. SEED MAY BE BROADCAST BY HAND, BY MECHANICAL SPREADER, OR BY HYDRAULIC EQUIPMENT ON AREAS THAT ARE SMALL, TOO STEEP, OR NOT ACCESSIBLE FOR SEED DRILL OPERATIONS. SEED PLANTED WITH A DRILL SHOULD BE COVERED WITH SOIL TO A DEPTH OF 1/4 TO 3/4 INCH. SEED PLANTED BY THE BROADCAST METHOD SHALL BE INCORPORATED INTO THE SOIL SURFACE, NOT TO EXCEED A DEPTH OF 3/4 INCH, BY RAKING, HARROWING, OR OTHER PROVEN METHOD.
- MULCHING**
SEEDING AREAS SHOULD BE MULCHED TO CONSERVE MOISTURE, PREVENT SURFACE COMPACTION OR CRUSTING, REDUCE RUNOFF AND EROSION; CONTROL WEEDS, AND HELP ESTABLISH PLANT COVER. NATIVE HAY OR STRAW SHOULD BE APPLIED AT A RATE OF 4,000 POUNDS PER ACRE AND CRIMPED INTO THE GROUND, ON SLOPES GREATER THAN 3:1, AN AGRONOMY BLANKET SHOULD BE USED.
- SUPPLEMENTAL WATER**
IN LOW RAINFALL AREAS WHERE WATER IS AVAILABLE AND WHERE RAPID ESTABLISHMENT IS NEEDED, IRRIGATION OF NEW SEEDING SHOULD BE PERFORMED DURING THE FIRST GROWING SEASON. WATER SHOULD BE APPLIED AT APPROXIMATELY ONE WEEK INTERVALS AT A RATE OF 3/4 TO 1 INCH PER APPLICATION, WHEN RAINFALL IS DEFICIENT FOR PLANT DEVELOPMENT.

NOTES:

- THE LOCATION OF SOIL STOCKPILE(S) AND STAGNO AREA SHALL BE DETERMINED BY THE CONTRACTOR. APPROPRIATE EROSION CONTROL BMP MEASURES SHALL BE FOLLOWED FOR EACH.
- EXISTING LOT VEGETATION CONSISTS OF SPARSE NATIVE GRASSES AND A FEW SHRUBS. ALL EXISTING (SPARSE) VEGETATION SHALL BE REMOVED PRIOR TO CONSTRUCTION.
- FINAL VEGETATION TO BE INSTALLED PER APPROVED FINAL LANDSCAPE PLAN. INTERIM REVEGETATION PROVIDED IF PROJECT IS TO BE DORMANT FOR EXTENDED PERIOD OF TIME.

BMP LEGEND

(P) LIMITS OF CONSTRUCTION / LIMITS OF DISTURBANCE	---
SILT FENCE	SF INITIAL
VEHICLE TRACKING CONTROL	VTC INITIAL
CONCRETE WASHOUT AREA	CWA FINAL
SEDIMENT CONTROL LOG	SCL FINAL
ROCK SOCK	RS INITIAL/INTERIM/FINAL
STABILIZED STAGING AREA	SSA INITIAL
STOCKPILE PROTECTION	SPI INITIAL
PORTABLE TOILET MAINTENANCE	PTM INITIAL
DRAINAGE SWALE	DSI INITIAL/INTERIM
TEMPORARY SEDIMENT BASIN	TSB-1 INITIAL
WATTLE	WT FINAL
CUT/FILL LINE	CUT FILL



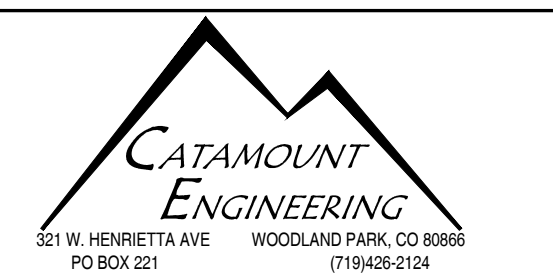
REV.	DESCRIPTION	DATE
1	ADDRESS AGENCY COMMENTS	10/05/21
2	ADDRESS AGENCY COMMENTS	12/03/21



Know what's below.
Call 72 hours before you dig.
For more details visit:
www.call811.com

PREPARED FOR:
PHI REAL ESTATE SERVICES, LLC
200 W. CITY CENTER DR. STE 200
PUEBLO, CO 81003

PREPARED UNDER THE CLOSELY SUPERVISED AND BEHALF OF CATAMOUNT ENGINEERING.
DAVID L. MUJARES, LICENSED PROFESSIONAL ENGINEER 40510
2/17/22
DATE



THE VILLAS AT CLAREMONT RANCH		DESIGNED BY: MGP	DRAWN BY: MGP
GRADING & EROSION CONTROL PLAN INITIAL PHASE (PUDSP)		SCALE: N/A	DATE: 11/03/20
		JOB NUMBER: 16-102	SHEET: 2 OF 5

BASIC GRADING, EROSION AND STORMWATER QUALITY REQUIREMENTS AND GENERAL PROHIBITIONS:

- *INFORMATION TAKEN FROM THE EL PASO COUNTY DRAINAGE CRITERIA MANUAL VOLUME 2, HEREIN REFERRED TO AS THE "MANUAL"
- STORMWATER DISCHARGES FROM CONSTRUCTION SITES SHALL NOT CAUSE OR THREATEN TO CAUSE POLLUTION, CONTAMINATION, OR DEGRADATION OF STATE WATERS.
 - CONCRETE WASH WATER SHALL NOT BE DISCHARGED TO OR ALLOWED TO RUNOFF TO STATE WATERS, INCLUDING ANY SURFACE OR SUBSURFACE STORM DRAINAGE SYSTEM FACILITIES.
 - BUILDING, CONSTRUCTION, EXCAVATION, OR OTHER WASTE MATERIALS SHALL NOT BE TEMPORARILY PLACED OR STORED IN THE STREET, ALLEY, OR OTHER PUBLIC WAY, UNLESS IN ACCORDANCE WITH AN APPROVED TRAFFIC CONTROL PLAN. BMP'S MAY BE REQUIRED BY COUNTY ENGINEERING IF DEEMED NECESSARY, BASED ON SPECIFIC CONDITIONS AND CIRCUMSTANCES (E.G. ESTIMATED TIME OF EXPOSURE, SEASON OF THE YEAR, ETC.).
 - VEHICLE TRACKING OF SOILS OFF-SITE SHALL BE MINIMIZED.
 - ALL WASTES COMPOSED OF BUILDING MATERIALS MUST BE REMOVED FROM THE CONSTRUCTION SITE FOR DISPOSAL IN ACCORDANCE WITH LOCAL AND STATE REGULATORY REQUIREMENTS. NO BUILDING MATERIAL WASTES OR UNUSED BUILDING MATERIALS SHALL BE BURIED, DUMPED, OR DISCHARGED AT THE SITE.
 - NO CHEMICALS ARE TO BE USED BY THE CONTRACTOR, WHICH HAVE THE POTENTIAL TO BE RELEASED IN STORMWATER UNLESS PERMISSION FOR THE USE OF A SPECIFIC CHEMICAL IS GRANTED IN WRITING BY THE COUNTY ENGINEER. IN GRANTING THE USE OF SUCH CHEMICALS, SPECIAL CONDITIONS AND MONITORING MAY BE REQUIRED.
 - BULK STORAGE STRUCTURES FOR PETROLEUM PRODUCTS AND OTHER CHEMICALS SHALL HAVE ADEQUATE PROTECTION SO AS TO CONTAIN ALL SPILLS AND PREVENT ANY SPILLED MATERIAL FROM ENTERING STATE WATERS, INCLUDING ANY SURFACE OR SUBSURFACE STORM DRAINAGE SYSTEM OR FACILITIES.
 - ALL PERSONS ENGAGED IN EARTH DISTURBANCE SHALL IMPLEMENT AND MAINTAIN ACCEPTABLE SOIL EROSION AND SEDIMENT CONTROL MEASURES INCLUDING BMP'S IN CONFORMANCE WITH THE EROSION CONTROL TECHNICAL STANDARDS OF THE MANUAL AND IN ACCORDANCE WITH THE EROSION AND STORMWATER QUALITY CONTROL PLAN APPROVED BY THE COUNTY OF EL PASO, IF REQUIRED.
 - ALL TEMPORARY EROSION CONTROL FACILITIES INCLUDING BMP'S AND ALL PERMANENT FACILITIES INTENDED TO CONTROL EROSION OF ANY EARTH DISTURBANCE OPERATIONS, SHALL BE INSTALLED AS DEFINED IN THE APPROVED PLANS AND THE MANUAL AND MAINTAINED THROUGHOUT THE DURATION OF THE EARTH DISTURBANCE OPERATION. THE INSTALLATION OF THE FIRST LEVEL OF TEMPORARY EROSION CONTROL FACILITIES AND BMP'S SHALL BE INSTALLED AND INSPECTED PRIOR TO ANY EARTH DISTURBANCE OPERATIONS TAKING PLACE.
 - ANY EARTH DISTURBANCE SHALL BE CONDUCTED IN SUCH A MANNER SO AS TO EFFECTIVELY REDUCE ACCELERATED SOIL EROSION AND RESULTING SEDIMENTATION.
 - ALL EARTH DISTURBANCES SHALL BE DESIGNED, CONSTRUCTED, AND COMPLETED IN SUCH A MANNER SO THAT THE EXPOSED AREA OF ANY DISTURBED LAND SHALL BE LIMITED TO THE SHORTEST PRACTICAL PERIOD OF TIME.
 - ALL WORK AND EARTH DISTURBANCE SHALL BE DONE IN A MANNER THAT MINIMIZES POLLUTION OF ANY ON-SITE OR OFF-SITE WATERS, INCLUDING WETLANDS.
 - SUSPENDED SEDIMENT CAUSED BY ACCELERATED SOIL EROSION SHALL BE MINIMIZED IN RUNOFF WATER BEFORE IT LEAVES THE SITE OF THE EARTH DISTURBANCE.
 - ANY TEMPORARY OR PERMANENT FACILITY DESIGNED AND CONSTRUCTED FOR THE CONVEYANCE OF STORMWATER AROUND, THROUGH, OR FROM THE EARTH DISTURBANCE AREA SHALL BE DESIGNED TO LIMIT THE DISCHARGE TO A NON-EROSIVE VELOCITY.
 - TEMPORARY SOIL EROSION CONTROL FACILITIES SHALL BE REMOVED AND EARTH DISTURBANCE AREAS GRADED AND STABILIZED WITH PERMANENT SOIL EROSION CONTROL MEASURES PURSUANT TO THE STANDARDS AND SPECIFICATIONS PRESCRIBED IN THE MANUAL, AND IN ACCORDANCE WITH THE PERMANENT EROSION CONTROL FEATURES SHOWN ON THE EROSION AND STORMWATER QUALITY CONTROL PLANS APPROVED BY THE COUNTY OF EL PASO, IF REQUIRED.
 - SOIL EROSION CONTROL MEASURES FOR ALL SLOPES, CHANNELS, DITCHES, OR ANY DISTURBED LAND AREA SHALL BE COMPLETED WITHIN TWENTY-ONE (21) CALENDAR DAYS AFTER FINAL GRADING, OR FINAL EARTH DISTURBANCE, HAS BEEN COMPLETED. DISTURBED AREAS AND STOCKPILES WHICH ARE NOT AT FINAL GRADE BUT WILL REMAIN DORMANT FOR LONGER THAN 30 DAYS SHALL ALSO BE MULCHED WITHIN 21 DAYS AFTER FINAL GRADING. ANY EARTH THAT IS GOING TO REMAIN IN AN INTERIM STATE FOR MORE THAN 60 DAYS SHALL ALSO BE SEEDDED. ALL TEMPORARY SOIL EROSION CONTROL MEASURES AND BMP'S SHALL BE MAINTAINED UNTIL PERMANENT SOIL EROSION CONTROL MEASURES ARE IMPLEMENTED.
 - NO PERSON SHALL CAUSE, PERMIT, OR CONTRIBUTE TO THE DISCHARGE INTO THE MUNICIPAL SEWER STORM SEWER POLLUTANTS THAT COULD CAUSE THE COUNTY OF EL PASO TO BE IN VIOLATION OF ITS COLORADO DISCHARGE PERMIT SYSTEM MUNICIPAL STORMWATER DISCHARGE PERMIT.
 - THE OWNER, SITE DEVELOPER, CONTRACTOR, AND/OR THEIR AUTHORIZED AGENTS SHALL BE RESPONSIBLE FOR THE REMOVAL OF ALL CONSTRUCTION DEBRIS, DIRT, TRASH, ROCK, SEDIMENT, AND SAND THAT MAY ACCUMULATE IN THE STORM SEWER OR OTHER DRAINAGE CONVEYANCE SYSTEM AND STORMWATER APPURTENANCES AS A RESULT OF SITE DEVELOPMENT.
 - NO PERSON SHALL CAUSE THE IMPEDIMENT OF STORMWATER FLOW IN THE FLOW LINE OF THE CURB AND GUTTER, INCLUDING THE TEMPORARY OR PERMANENT RAMPPING WITH MATERIALS FOR VEHICLE ACCESS.
 - INDIVIDUALS SHALL COMPLY WITH THE "COLORADO WATER QUALITY CONTROL ACT" (TITLE 25, ARTICLE 8, CRS), AND THE "CLEAN WATER ACT" (33 USC 1344), REGULATIONS PROMULGATED, CERTIFICATIONS OR PERMITS ISSUED, IN ADDITION TO THE REQUIREMENTS INCLUDED IN THE MANUAL. IN THE EVENT OF CONFLICTS BETWEEN THESE REQUIREMENTS AND WATER QUALITY CONTROL LAWS, RULES, OR REGULATIONS OF OTHER FEDERAL OR STATE AGENCIES, THE MORE RESTRICTIVE LAWS, RULES, OR REGULATIONS SHALL APPLY.
 - THE QUANTITY OF MATERIALS STORED ON THE PROJECT SITE SHALL BE LIMITED, AS MUCH AS PRACTICAL, TO THAT QUANTITY REQUIRED TO PERFORM WORK IN AN ORDERLY SEQUENCE. ALL MATERIALS STORED ON-SITE SHALL BE STORED IN A NEAT, ORDERLY MANNER, IN THEIR ORIGINAL CONTAINERS, WITH ORIGINAL MANUFACTURER'S LABELS. MATERIALS SHALL NOT BE STORED IN A LOCATION WHERE THEY MAY BE CARRIED BY STORMWATER RUNOFF INTO A STATE WATER AT ANY TIME.
 - SPILL PREVENTION AND CONTAINMENT MEASURES SHALL BE USED AT STORAGE, AND EQUIPMENT FUELING AND SERVICING AREAS TO PREVENT THE POLLUTION OF ANY STATE WATERS, INCLUDING WETLANDS. ALL SPILLS SHALL BE CLEANED UP IMMEDIATELY AFTER DISCOVERY, OR CONTAINED UNTIL APPROPRIATE CLEANUP METHODS CAN BE EMPLOYED. MANUFACTURER'S RECOMMENDED METHODS FOR SPILL CLEANUP SHALL BE FOLLOWED, ALONG WITH PROPER DISPOSAL METHODS.

SEEDING GUIDELINES

- SEEDBED PREPARATION**
THE SEEDBED SHOULD BE WELL-SETTLED AND FIRM, BUT FRAGILE ENOUGH THAT THE SEED CAN BE PLACED AT THE SPECIFIED DEPTH. COMPETITIVE STANDS OF WEEDS THAT ARE PRESENT BEFORE SEEDING MUST BE CONTROLLED BY SHALLOW TILLAGE OR BY APPLICATION OF HERBICIDES. SOILS THAT HAVE BEEN OVER-COMPACTED BY TRAFFIC OR EQUIPMENT, ESPECIALLY WHEN WET, SHOULD BE TILLED TO BREAK UP ROOTING-RESTRICTIVE LAYERS, THEN HARROWED, ROLLED, OR PACKED TO PREPARE THE REQUIRED FIRM SEEDBED.
- FERTILIZER**
FERTILIZER SHOULD BE APPLIED AT A RATE OF 50 POUNDS OF AVAILABLE NITROGEN PER ACRE AND 40 POUNDS OF AVAILABLE PHOSPHATE PER ACRE. THE TIME OF APPLICATION SHOULD BE IMMEDIATELY PRIOR TO SEEDING, AT THE TIME OF SEEDING, OR IMMEDIATELY FOLLOWING SEEDING, DEPENDING ON THE KIND OF FERTILIZER AND TYPE OF EQUIPMENT USED.
- SEEDING**
SEED SHOULD BE PLANTED WITH A GRASS DRILL ON ALL SLOPES OF 3:3% (2:1) OR FLATTER. SEED MAY BE BROADCAST BY HAND, BY MECHANICAL SPREADER, OR BY HYDRAULIC EQUIPMENT ON AREAS THAT ARE SMALL, TOO STEEP, OR NOT ACCESSIBLE FOR SEED DRILL OPERATIONS. SEED PLANTED WITH A DRILL SHOULD BE COVERED WITH SOIL TO A DEPTH OF 1/4 TO 3/4 INCH. SEED PLANTED BY THE BROADCAST METHOD SHALL BE INCORPORATED INTO THE SOIL SURFACE, NOT TO EXCEED A DEPTH OF 3/4 INCH, BY RAKING, HARROWING, OR OTHER PROVEN METHOD.
THE TIME OF SEEDING IS FROM OCTOBER 15TH - MAY 31ST. SEED PLANTED IN THE LATE FALL WILL REMAIN DORMANT UNTIL SPRING, WHEN IT WILL GERMINATE.
- MULCHING**
SEEDED AREAS SHOULD BE MULCHED TO CONSERVE MOISTURE; PREVENT SURFACE COMPACTION OR CRUSTING; REDUCE RUNOFF AND EROSION; CONTROL INSECTS; AND HELP ESTABLISH PLANT COVER.
NATIVE GRASS OR STRAW SHOULD BE APPLIED AT A RATE OF 4,000 POUNDS PER ACRE AND CRIMPED INTO THE GROUND. ON SLOPES GREATER THAN 3:1, AN AGRONOMY BLANKET SHOULD BE USED.
- SUPPLEMENTAL WATER**
IN LOW RAINFALL AREAS, WHERE WATER IS AVAILABLE AND WHERE RAPID ESTABLISHMENT IS NEEDED, IRRIGATION OF NEW SEEDING SHOULD BE PERFORMED DURING THE FIRST GROWING SEASON. WATER SHOULD BE APPLIED AT APPROXIMATELY ONE WEEK INTERVALS, AT A RATE OF 3/4 TO 1 INCH PER APPLICATION, WHEN RAINFALL IS DEFICIENT FOR PLANT DEVELOPMENT.

NOTES:

- THE LOCATION OF SOIL STOCKPILE(S) AND STAGING AREA SHALL BE DETERMINED BY THE CONTRACTOR. APPROPRIATE EROSION CONTROL BMP MEASURES SHALL BE FOLLOWED FOR EACH EXISTING VEGETATION TO BE REMOVED PRIOR TO INITIAL PHASE.
- FINAL VEGETATION TO BE INSTALLED PER APPROVED FINAL LANDSCAPE PLAN. INTERIM VEGETATION PROVIDED IF PROJECT IS TO BE DORMANT FOR EXTENDED PERIOD OF TIME.

EROSION PROTECTION & REVEGETATION REQUIREMENTS PER U.S.D.A. SOIL CONSERVATION SERVICE GUIDELINES:

1. PRACTICE NO. & NAME: 342 - CRITICAL AREA TREATMENT RANGE SITE: SANDY FOOTHILLS

2. PLANNED SEEDING PREP:
 A. METHOD: DRILL
 B. DATES: OCT 15 - MAY 31
 C. CLEAN TILLED: XX
 FIRM SEEDBED: XX
 STUBBLE COVER: XX
 INTERSEED: XX
 OTHER: _____

SEEDING OPERATION:
 A. METHOD: DRILL
 INTERSEED: XX
 BROADCAST: _____
 B. DRILL SPACING: 6-12"
 TYPE: GRASS W/AGITATOR
 C. DATE: OCT 15 - MAY 31
 D. PLANTING DEPTH: 1/2-3/4"

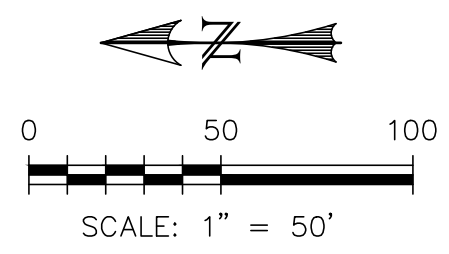
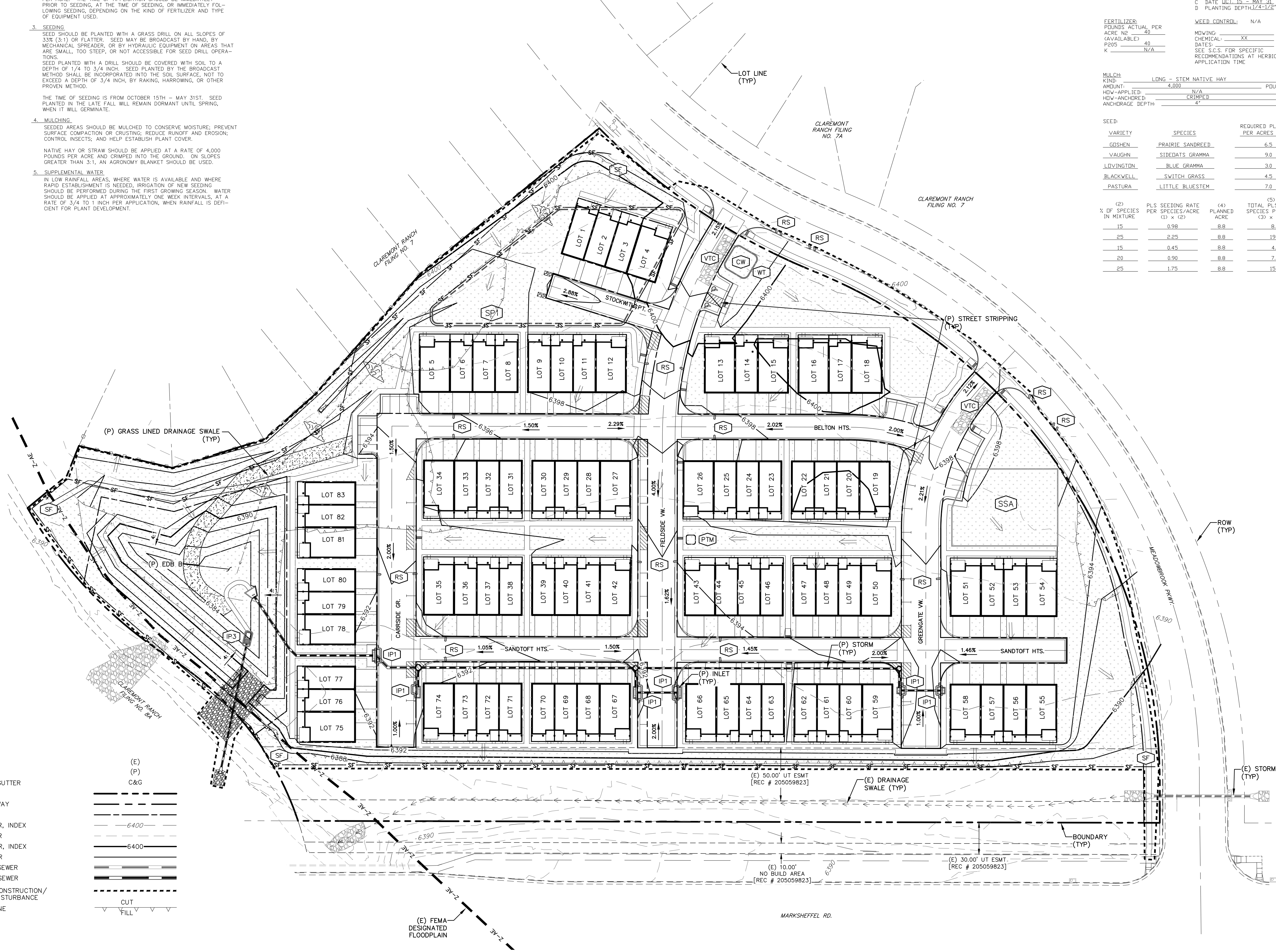
FERTILIZER:
 POUNDS ACTUAL PER ACRE: 40
 AVAILABLE N: 40
 P205: 40
 K: N/A

WEED CONTROL: N/A
 MOVING CHEMICAL: XX
 DATES: _____
 SEE S.C.S. FOR SPECIFIC RECOMMENDATIONS AT HERBICIDE APPLICATION TIME

MULCH: LONG - STEM NATIVE HAY
 KIND: _____
 AMOUNT: 4,000 POUNDS/ACRE
 HDV-APPLIED: N/A
 HDV-ANCHORED: CRIMPED
 ANCHORAGE DEPTH: 4"

SEED VARIETY	SPECIES	REQUIRED PLS. RATES PER ACRES (100%)
GOSHEN	PRAIRIE SANDREED	6.5
VAUGHN	SIDEHATS GRAMMA	9.0
LOVINGTON	BLUE GRAMMA	3.0
BLACKWELL	SWITCH GRASS	4.5
PASTURA	LITTLE BLUESTEM	7.0

(2) % OF SPECIES IN MIXTURE	(3) PLS SEEDING RATE PER SPECIES/ACRE (10' x 60')	(4) PLANNED ACRE	(5) TOTAL PLS LBS./SPECIES PLANNED (3) x (4)
15	0.98	8.8	8.6
25	2.25	8.8	19.8
15	0.45	8.8	4.0
20	0.90	8.8	7.9
25	1.75	8.8	19.4



BMP LEGEND

SILT FENCE: SF (Initial/Interim/Final)

VEHICLE TRACKING CONTROL: VTC (Initial/Interim)

CONCRETE WASHOUT AREA: CWA (Interim/Final)

INLET PROTECTION (ROCK SOCK): IP3 (Interim/Final)

SEDIMENT CONTROL LOG/WATTLE: SCL (Initial/Interim/Final)

ROCK SOCK: RS (Interim/Final)

INLET PROTECTION (BLOCK & ROCK SOCK): IP1 (Interim/Final)

STABILIZED STAGING AREA: SSA (Initial/Interim)

STOCKPILE PROTECTION: SP (Initial/Interim)

PORTABLE TOILET MAINTENANCE: PTM (Initial/Interim/Final)

STREET PAINT STRIPING: (Final)

CHECK DAM: CD (Initial/Interim)

DIRECTION OF OVERLAND FLOW: (Arrow)

AREAS OF FINAL SEEDING: (Dotted line)

LEGEND

EXISTING: (E)

PROPOSED: (P)

CURB AND GUTTER: C&G

BOUNDARY: (Dashed line)

RIGHT-OF-WAY: (Dashed line)

LOT LINE: (Solid line)

(E) CONTOUR, INDEX: 6400

(E) CONTOUR: 6400

(P) CONTOUR, INDEX: 6400

(P) CONTOUR: 6400

(E) STORM SEWER: (Line with IP)

(P) STORM SEWER: (Line with IP)

LIMITS OF CONSTRUCTION/LIMITS OF DISTURBANCE: (Dashed line)

CUT/FILL LINE: (Line with V/F)

REV.	DESCRIPTION	DATE



PREPARED FOR:
PHI REAL ESTATE SERVICES, LLC
 200 W. CITY CENTER DR. STE 200
 PUEBLO, CO 81003

PREPARED UNDER MY DIRECT SUPERVISION FOR AND BEHALF OF
CATAMOUNT ENGINEERING
 DAVID L. MIJARES, COLORADO P.E. #40510
 7/27/22 DATE

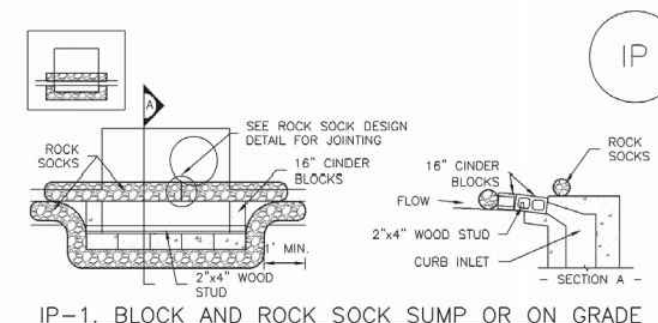


THE VILLAS AT CLAREMONT RANCH
GRADING & EROSION CONTROL PLAN
 INTERIM AND VERTICAL PHASES

DESIGNED BY: MGP	DRAWN BY: MGP
SCALE: 1" = 50'	DATE: 07/15/22
JOB NUMBER: 16-102	SHEET: 3 OF 5

EPC 5/24/23

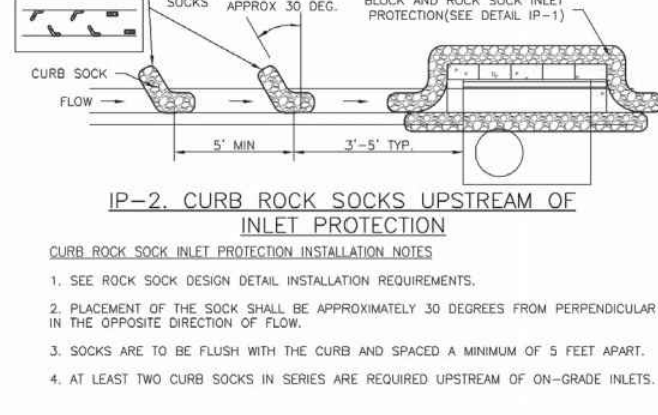
SC-6 Inlet Protection (IP)



IP-1. BLOCK AND CURB ROCK SOCK SUMP OR ON-GRADE INLET PROTECTION

BLOCK AND CURB ROCK SOCK INLET PROTECTION INSTALLATION NOTES

- SEE ROCK SOCK DESIGN METAL FOR INSTALLATION REQUIREMENTS.
- CONCRETE "CORNER" BLOCKS SHALL BE LAID ON THEIR SIDES AROUND THE INLET IN A SINGLE ROW, BUTTING THE SIDES WITH THE OPEN END FACING AWAY FROM THE CURB.
- GRAVEL BAGS SHALL BE PLACED AROUND CONCRETE BLOCKS, CLOSELY ABUTTING ONE ANOTHER AND JOINED TOGETHER IN ACCORDANCE WITH ROCK SOCK DESIGN DETAIL.



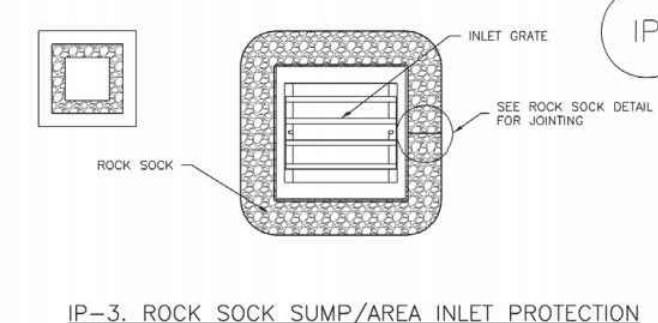
IP-2. CURB ROCK SOCKS UPSTREAM OF INLET PROTECTION

CURB ROCK SOCK INLET PROTECTION INSTALLATION NOTES

- SEE ROCK SOCK DESIGN METAL INSTALLATION REQUIREMENTS.
- PLACEMENT OF THE SOCK SHALL BE APPROXIMATELY 30 DEGREES FROM PERPENDICULAR TO THE OPPOSITE DIRECTION OF FLOW.
- SOCKS ARE TO BE FLUSH WITH THE CURB AND SPACED A MINIMUM OF 5 FEET APART.
- AT LEAST TWO CURB SOCKS IN SERIES ARE REQUIRED UPSTREAM OF ON-GRADE INLETS.

Urban Drainage and Flood Control District August 2013
 Urban Storm Drainage Criteria Manual Volume 3
 IP1

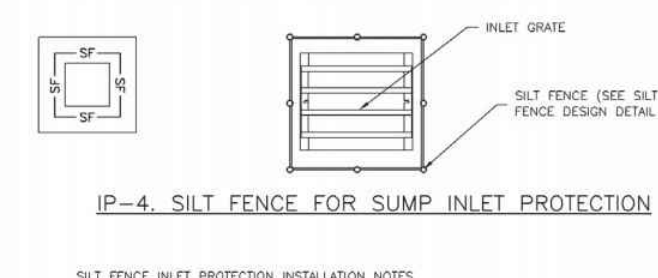
SC-6 Inlet Protection (IP)



IP-3. ROCK SOCK SUMP/AREA INLET PROTECTION

ROCK SOCK SUMP/AREA INLET PROTECTION INSTALLATION NOTES

- SEE ROCK SOCK DESIGN DETAIL FOR INSTALLATION REQUIREMENTS.
- STRIP MATERIAL/SEALANT CONTROL LOGS MAY BE USED IN PLACE OF ROCK SOCKS FOR INLETS IN PERIODS WHERE INSTALL PER PERMENT CONTROL LOG DETAIL.



IP-4. SILT FENCE FOR SUMP INLET PROTECTION

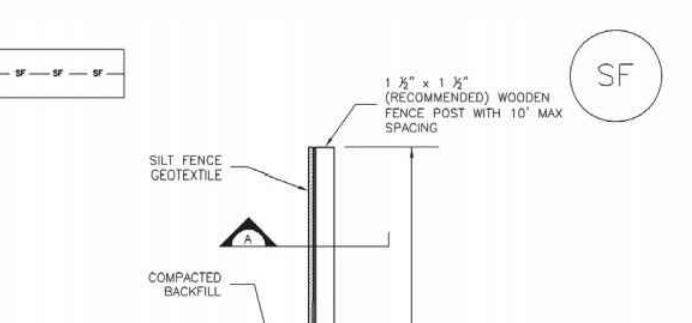
SILT FENCE INLET PROTECTION INSTALLATION NOTES

- SEE SILT FENCE PERMITS FOR FURTHER INFORMATION.
- ROCK SOCK SHALL BE PLACED AT CORNER OF THE INLET AND AROUND THE EDGES AT A MAXIMUM SPACING OF 3 FEET.
- STRIP MATERIAL/SEALANT CONTROL LOGS MAY BE USED IN PLACE OF SILT FENCE FOR INLETS IN PERIODS WHERE INSTALL PER PERMENT CONTROL LOG DETAIL.

August 2013 Urban Drainage and Flood Control District
 Urban Storm Drainage Criteria Manual Volume 3
 IP-5

SC-6 Inlet Protection (IP)

SC-1 Silt Fence (SF)



SILT FENCE

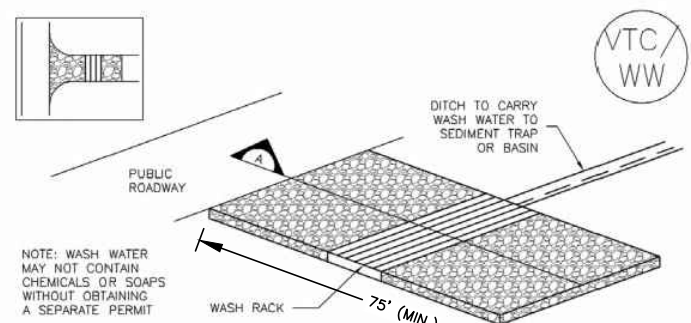
SILT FENCE INSTALLATION NOTES

- SILT FENCE MUST BE PLACED UPSTREAM FROM THE TOP OF THE SLOPE TO ALLOW FOR WATER FLOWING. SILT FENCE AT THE TOP OF A SLOPE SHOULD BE INSTALLED IN A FLAT LOCATION AT LEAST 2 FEET (24 IN) FROM THE TOP OF THE SLOPE TO ALLOW FOR SOIL FLOWING AND DISPERSION.
- A PERIMETER OR ANCHOR FRENCH SHALL BE DOWNHOLE USING FRENCH OR SILT FENCE INSTALLATION DETAIL. NO STRONGS, SPOOLS, OR SMALL EQUIPMENT SHALL BE ALLOWED TO PASS THROUGH THE SILT FENCE.
- COMPACT ANCHOR FRENCH WITH A "TAMPING JACK" OR BY WHEEL ROLLING. CONSTRUCTION SHALL BE SUCH THAT SILT FENCE POSTS BE PULLED OUT OF ANCHOR FRENCH (IF ANY).
- SILT FENCE SHALL BE PLACED TIGHT AS IT IS ANCHORED TO THE STRIPS. THERE SHOULD BE NO NOTICES AND SPACES BETWEEN STRIPS IF THIS IS NOT INDICATED TO THE STRIPS.
- SILT FENCE STRIPS SHALL BE ANCHORED TO THE STRIPS USING 1" HEAVY DUTY STAPLES OR NAILS WITH 1" HEADS. STRIPS AND NAILS SHOULD BE PLACED 3" ABOVE THE FABRIC DOWN THE STRIP.
- AT THE END OF A STRIP OF SILT FENCE ALONG A CURVE, THE SILT FENCE SHOULD BE TURNED PERPENDICULAR TO THE CURVE TO CREATE A "CORNER". THE "1.5" HEADS" (OR OTHER EQUIPMENT) SHOULD BE USED TO KEEP THE STRIP TIGHT FROM FLARING AROUND THE END OF THE SILT FENCE (TYPICALLY 10' - 20').

November 2010 Urban Drainage and Flood Control District
 Urban Storm Drainage Criteria Manual Volume 3
 SF-3

SC-1 Silt Fence (SF)

SM-4 Vehicle Tracking Control (VTC)



VTC-2. AGGREGATE VEHICLE TRACKING CONTROL WITH WASH RACK

CONCRETE WASHOUT AREA PLAN

CONCRETE WASHOUT AREA

CWA-1. CONCRETE WASHOUT AREA

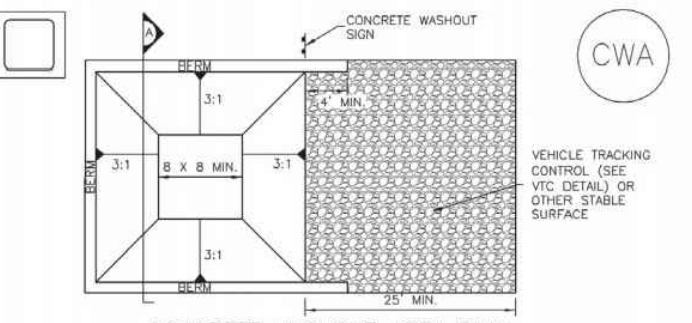
CWA INSTALLATION NOTES

- SEE PLAN VIEW FOR "CWA INSTALLATION LOCATION".
- DO NOT LOCATE AN AREAS WITHIN 100' OF ANY NATURAL DRAINAGE FEATURE OR WATERBODY. DO NOT LOCATE WITHIN 100' OF ANY WELLS OR DRINKING WATER SOURCES. IF SITE CONDITIONS MAKE THE REPAIRS OF A MORE REMEDIABLE SOIL TYPE OR SIZE, THE CWA MUST BE INSTALLED WITH AN IMPERMEABLE LINER (E.G. MIN. THICKNESS OF 4" POLYETHYLENE TEREPHTHALATE) UNDER THE CONCRETE WASHOUT AREA. THE CONCRETE WASHOUT AREA SHALL BE CONSTRUCTED TO CONTAIN THE STOCKPILE WASHOUT WATER.
- THE CWA SHALL BE INSTALLED PRIOR TO CONCRETE PLACEMENT ON SITE.
- CWA SHALL INCLUDE A FLAT SURFACE THAT IS AT LEAST 1/8" BY 1/8" SLOPED AWAY FROM THE SURFACE AT THE PERIMETER. THE PERIMETER SHALL BE AT LEAST 1/4" SLOPED AWAY FROM THE SURFACE AT THE PERIMETER.
- BORN SURROUNDING SIDES AND BACK OF THE CWA SHALL HAVE MINIMUM HEIGHT OF 1'.
- VEHICLE TRACKING CONTROL SHALL BE SLOPED 2% TOWARD THE CWA.
- SOIL SHALL BE PLACED BY THE CONSTRUCTION ENTRANCE, AT THE CWA, AND EQUIPMENT AS NECESSARY TO CLEARLY MARK THE LOCATION OF THE CWA TO OPERATORS OF CONCRETE TRUCKS AND PUMP TRUCKS.
- USE EXCAVATED MATERIAL FOR PERIMETER BORN CONSTRUCTION.

Urban Drainage and Flood Control District November 2010
 Urban Storm Drainage Criteria Manual Volume 3
 VTC-6

SM-4 Vehicle Tracking Control (VTC)

MM-1 Concrete Washout Area (CWA)



CWA-1. CONCRETE WASHOUT AREA

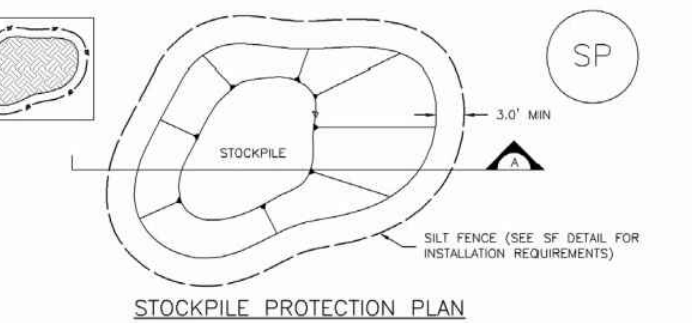
CWA INSTALLATION NOTES

- SEE PLAN VIEW FOR "CWA INSTALLATION LOCATION".
- DO NOT LOCATE AN AREAS WITHIN 100' OF ANY NATURAL DRAINAGE FEATURE OR WATERBODY. DO NOT LOCATE WITHIN 100' OF ANY WELLS OR DRINKING WATER SOURCES. IF SITE CONDITIONS MAKE THE REPAIRS OF A MORE REMEDIABLE SOIL TYPE OR SIZE, THE CWA MUST BE INSTALLED WITH AN IMPERMEABLE LINER (E.G. MIN. THICKNESS OF 4" POLYETHYLENE TEREPHTHALATE) UNDER THE CONCRETE WASHOUT AREA. THE CONCRETE WASHOUT AREA SHALL BE CONSTRUCTED TO CONTAIN THE STOCKPILE WASHOUT WATER.
- THE CWA SHALL BE INSTALLED PRIOR TO CONCRETE PLACEMENT ON SITE.
- CWA SHALL INCLUDE A FLAT SURFACE THAT IS AT LEAST 1/8" BY 1/8" SLOPED AWAY FROM THE SURFACE AT THE PERIMETER. THE PERIMETER SHALL BE AT LEAST 1/4" SLOPED AWAY FROM THE SURFACE AT THE PERIMETER.
- BORN SURROUNDING SIDES AND BACK OF THE CWA SHALL HAVE MINIMUM HEIGHT OF 1'.
- VEHICLE TRACKING CONTROL SHALL BE SLOPED 2% TOWARD THE CWA.
- SOIL SHALL BE PLACED BY THE CONSTRUCTION ENTRANCE, AT THE CWA, AND EQUIPMENT AS NECESSARY TO CLEARLY MARK THE LOCATION OF THE CWA TO OPERATORS OF CONCRETE TRUCKS AND PUMP TRUCKS.
- USE EXCAVATED MATERIAL FOR PERIMETER BORN CONSTRUCTION.

November 2010 Urban Drainage and Flood Control District
 Urban Storm Drainage Criteria Manual Volume 3
 CWA-3

MM-1 Concrete Washout Area (CWA)

MM-2 Stockpile Management (SP)



SP-1. STOCKPILE PROTECTION

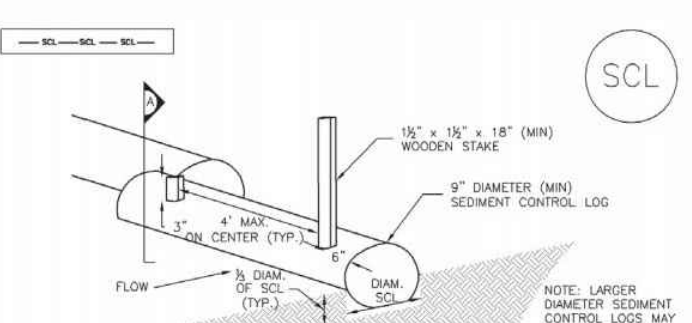
STOCKPILE PROTECTION INSTALLATION NOTES

- SEE PLAN VIEW FOR "STOCKPILE LOCATION".
- DO NOT LOCATE AN AREAS WITHIN 100' OF ANY NATURAL DRAINAGE FEATURE OR WATERBODY. DO NOT LOCATE WITHIN 100' OF ANY WELLS OR DRINKING WATER SOURCES. IF SITE CONDITIONS MAKE THE REPAIRS OF A MORE REMEDIABLE SOIL TYPE OR SIZE, THE CWA MUST BE INSTALLED WITH AN IMPERMEABLE LINER (E.G. MIN. THICKNESS OF 4" POLYETHYLENE TEREPHTHALATE) UNDER THE CONCRETE WASHOUT AREA. THE CONCRETE WASHOUT AREA SHALL BE CONSTRUCTED TO CONTAIN THE STOCKPILE WASHOUT WATER.
- THE CWA SHALL BE INSTALLED PRIOR TO CONCRETE PLACEMENT ON SITE.
- CWA SHALL INCLUDE A FLAT SURFACE THAT IS AT LEAST 1/8" BY 1/8" SLOPED AWAY FROM THE SURFACE AT THE PERIMETER. THE PERIMETER SHALL BE AT LEAST 1/4" SLOPED AWAY FROM THE SURFACE AT THE PERIMETER.
- BORN SURROUNDING SIDES AND BACK OF THE CWA SHALL HAVE MINIMUM HEIGHT OF 1'.
- VEHICLE TRACKING CONTROL SHALL BE SLOPED 2% TOWARD THE CWA.
- SOIL SHALL BE PLACED BY THE CONSTRUCTION ENTRANCE, AT THE CWA, AND EQUIPMENT AS NECESSARY TO CLEARLY MARK THE LOCATION OF THE CWA TO OPERATORS OF CONCRETE TRUCKS AND PUMP TRUCKS.
- USE EXCAVATED MATERIAL FOR PERIMETER BORN CONSTRUCTION.

November 2010 Urban Drainage and Flood Control District
 Urban Storm Drainage Criteria Manual Volume 3
 SP-3

MM-2 Stockpile Management (SM)

SC-2 Sediment Control Log (SCL)



SCL-1. SEDIMENT CONTROL LOG

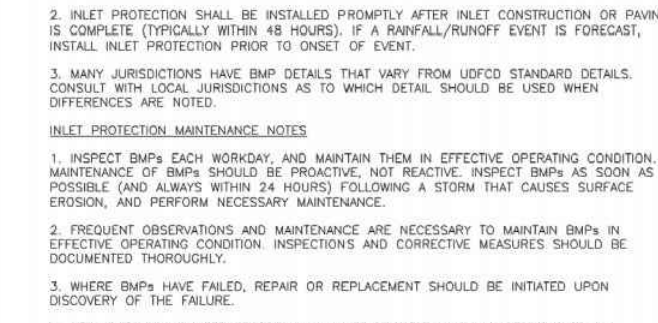
SEDIMENT CONTROL LOG INSTALLATION NOTES

- SEE PLAN VIEW FOR LOCATION AND LENGTH OF SEDIMENT CONTROL LOG.
- SEDIMENT CONTROL LOGS THAT ARE AT PERIMETER CORNERS SHALL BE INSTALLED PRIOR TO ANY UPGRADES AND/OR DISTURBING ACTIVITIES.
- SEDIMENT CONTROL LOGS SHALL BE CONSTRUCTED TO PREVENT EXCESSIVE OF SEDIMENT FROM BEING TRANSPORTED FROM THE TOP OF THE SLOPE. SEDIMENT CONTROL LOGS SHALL BE CONSTRUCTED TO PREVENT EXCESSIVE OF SEDIMENT FROM BEING TRANSPORTED FROM THE TOP OF THE SLOPE. SEDIMENT CONTROL LOGS SHALL BE CONSTRUCTED TO PREVENT EXCESSIVE OF SEDIMENT FROM BEING TRANSPORTED FROM THE TOP OF THE SLOPE.
- SEDIMENT CONTROL LOGS MAY BE USED AS SMALL CHECK DAMS IN DITCHES AND SWALES. HOWEVER, THEY SHOULD NOT BE USED IN PERMANENT STREAMS OF HIGH VELOCITY FLOWING WATER.
- IF IT IS DETERMINED THAT SEDIMENT CONTROL LOGS BE PLACED INTO THE GROUND TO A DEPTH OF APPROXIMATELY 1/2 OF THE DRAINAGE OF THE LOG. IF PLACING TO THE GROUND IS DANGEROUS, A LESSER INCHES DEPTH MAY BE ACCEPTABLE WITH MORE ROBUST MATERIALS.
- SEDIMENT CONTROL LOGS SHALL BE BACKFILLED WITH SOIL THAT IS FREE OF ROCKS AND DEBRIS. SOIL SHALL BE TIGHTLY COMPACTED INTO THE SHAPE OF A RAMP. MINIMUM A SHOULDER OR WEIGHTED LAMIN SHOULD BE PROVIDED AT THE END OF THE LOG.
- FOLLOW MANUFACTURERS' GUIDANCE FOR INSTALLATION. IF MANUFACTURERS' INSTRUCTIONS DO NOT SPECIFY SPACING, LOGS SHALL BE PLACED AT 4' CENTERS AND A MINIMUM OF 10' FROM THE END OF THE LOG. LOGS SHALL BE INSTALLED WITH TOP LOGS TO THE LOG. LOGS SHALL BE INSTALLED WITH TOP LOGS TO THE LOG.

November 2010 Urban Drainage and Flood Control District
 Urban Storm Drainage Criteria Manual Volume 3
 SCL-5

SC-2 Sediment Control Log (SCL)

SC-6 Inlet Protection (IP)



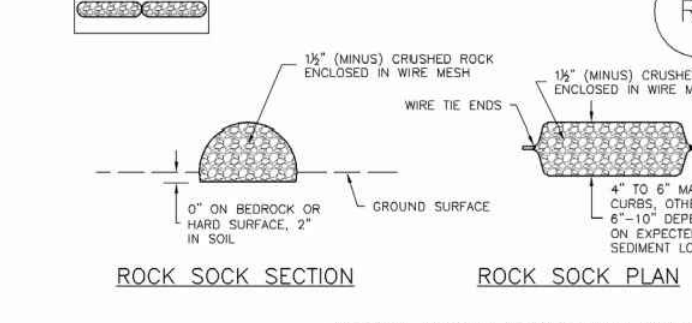
IP-3. ROCK SOCK SUMP/AREA INLET PROTECTION

ROCK SOCK SUMP/AREA INLET PROTECTION INSTALLATION NOTES

- SEE ROCK SOCK DESIGN DETAIL FOR INSTALLATION REQUIREMENTS.
- STRIP MATERIAL/SEALANT CONTROL LOGS MAY BE USED IN PLACE OF ROCK SOCKS FOR INLETS IN PERIODS WHERE INSTALL PER PERMENT CONTROL LOG DETAIL.

Urban Drainage and Flood Control District August 2013
 Urban Storm Drainage Criteria Manual Volume 3
 IP-5

SC-5 Rock Sock (RS)



RS-1. ROCK SOCK PERIMETER CONTROL

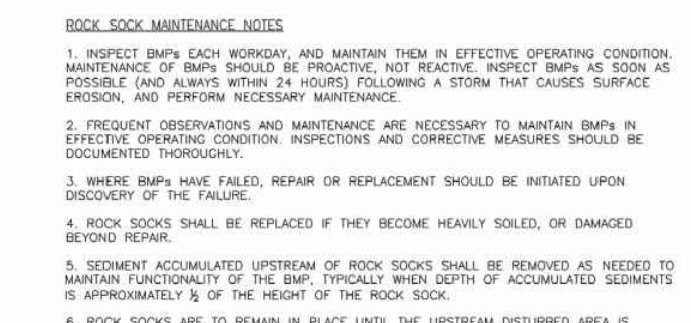
ROCK SOCK INSTALLATION NOTES

- SEE PLAN VIEW FOR "ROCK SOCK PERIMETER CONTROL LOCATION".
- DO NOT LOCATE AN AREAS WITHIN 100' OF ANY NATURAL DRAINAGE FEATURE OR WATERBODY. DO NOT LOCATE WITHIN 100' OF ANY WELLS OR DRINKING WATER SOURCES. IF SITE CONDITIONS MAKE THE REPAIRS OF A MORE REMEDIABLE SOIL TYPE OR SIZE, THE CWA MUST BE INSTALLED WITH AN IMPERMEABLE LINER (E.G. MIN. THICKNESS OF 4" POLYETHYLENE TEREPHTHALATE) UNDER THE CONCRETE WASHOUT AREA. THE CONCRETE WASHOUT AREA SHALL BE CONSTRUCTED TO CONTAIN THE STOCKPILE WASHOUT WATER.
- THE CWA SHALL BE INSTALLED PRIOR TO CONCRETE PLACEMENT ON SITE.
- CWA SHALL INCLUDE A FLAT SURFACE THAT IS AT LEAST 1/8" BY 1/8" SLOPED AWAY FROM THE SURFACE AT THE PERIMETER. THE PERIMETER SHALL BE AT LEAST 1/4" SLOPED AWAY FROM THE SURFACE AT THE PERIMETER.
- BORN SURROUNDING SIDES AND BACK OF THE CWA SHALL HAVE MINIMUM HEIGHT OF 1'.
- VEHICLE TRACKING CONTROL SHALL BE SLOPED 2% TOWARD THE CWA.
- SOIL SHALL BE PLACED BY THE CONSTRUCTION ENTRANCE, AT THE CWA, AND EQUIPMENT AS NECESSARY TO CLEARLY MARK THE LOCATION OF THE CWA TO OPERATORS OF CONCRETE TRUCKS AND PUMP TRUCKS.
- USE EXCAVATED MATERIAL FOR PERIMETER BORN CONSTRUCTION.

Urban Drainage and Flood Control District November 2010
 Urban Storm Drainage Criteria Manual Volume 3
 RS-3

SC-5 Rock Sock (RS)

SC-5 Rock Sock (RS)



RS-1. ROCK SOCK PERIMETER CONTROL

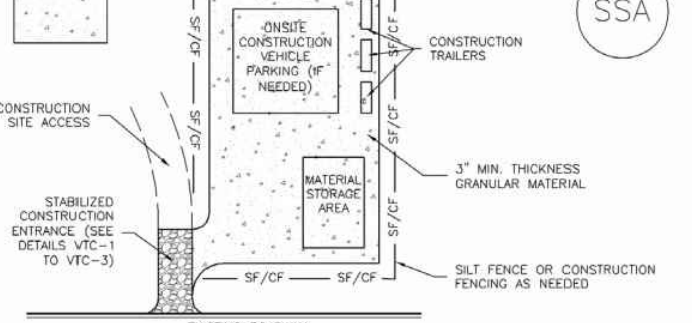
ROCK SOCK INSTALLATION NOTES

- SEE PLAN VIEW FOR "ROCK SOCK PERIMETER CONTROL LOCATION".
- DO NOT LOCATE AN AREAS WITHIN 100' OF ANY NATURAL DRAINAGE FEATURE OR WATERBODY. DO NOT LOCATE WITHIN 100' OF ANY WELLS OR DRINKING WATER SOURCES. IF SITE CONDITIONS MAKE THE REPAIRS OF A MORE REMEDIABLE SOIL TYPE OR SIZE, THE CWA MUST BE INSTALLED WITH AN IMPERMEABLE LINER (E.G. MIN. THICKNESS OF 4" POLYETHYLENE TEREPHTHALATE) UNDER THE CONCRETE WASHOUT AREA. THE CONCRETE WASHOUT AREA SHALL BE CONSTRUCTED TO CONTAIN THE STOCKPILE WASHOUT WATER.
- THE CWA SHALL BE INSTALLED PRIOR TO CONCRETE PLACEMENT ON SITE.
- CWA SHALL INCLUDE A FLAT SURFACE THAT IS AT LEAST 1/8" BY 1/8" SLOPED AWAY FROM THE SURFACE AT THE PERIMETER. THE PERIMETER SHALL BE AT LEAST 1/4" SLOPED AWAY FROM THE SURFACE AT THE PERIMETER.
- BORN SURROUNDING SIDES AND BACK OF THE CWA SHALL HAVE MINIMUM HEIGHT OF 1'.
- VEHICLE TRACKING CONTROL SHALL BE SLOPED 2% TOWARD THE CWA.
- SOIL SHALL BE PLACED BY THE CONSTRUCTION ENTRANCE, AT THE CWA, AND EQUIPMENT AS NECESSARY TO CLEARLY MARK THE LOCATION OF THE CWA TO OPERATORS OF CONCRETE TRUCKS AND PUMP TRUCKS.
- USE EXCAVATED MATERIAL FOR PERIMETER BORN CONSTRUCTION.

Urban Drainage and Flood Control District November 2010
 Urban Storm Drainage Criteria Manual Volume 3
 RS-3

SC-5 Rock Sock (RS)

SM-6 Stabilized Staging Area (SSA)



SSA-1. STABILIZED STAGING AREA

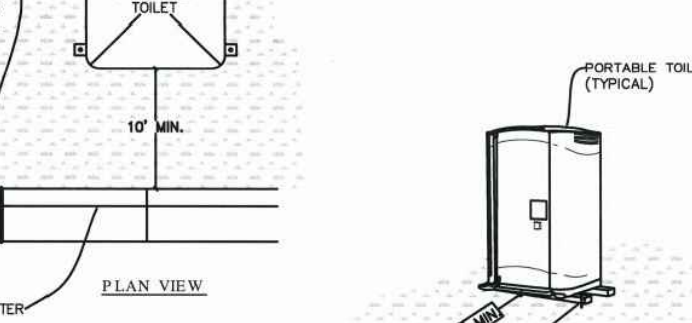
STABILIZED STAGING AREA INSTALLATION NOTES

- SEE PLAN VIEW FOR "STABILIZED STAGING AREA LOCATION".
- DO NOT LOCATE AN AREAS WITHIN 100' OF ANY NATURAL DRAINAGE FEATURE OR WATERBODY. DO NOT LOCATE WITHIN 100' OF ANY WELLS OR DRINKING WATER SOURCES. IF SITE CONDITIONS MAKE THE REPAIRS OF A MORE REMEDIABLE SOIL TYPE OR SIZE, THE CWA MUST BE INSTALLED WITH AN IMPERMEABLE LINER (E.G. MIN. THICKNESS OF 4" POLYETHYLENE TEREPHTHALATE) UNDER THE CONCRETE WASHOUT AREA. THE CONCRETE WASHOUT AREA SHALL BE CONSTRUCTED TO CONTAIN THE STOCKPILE WASHOUT WATER.
- THE CWA SHALL BE INSTALLED PRIOR TO CONCRETE PLACEMENT ON SITE.
- CWA SHALL INCLUDE A FLAT SURFACE THAT IS AT LEAST 1/8" BY 1/8" SLOPED AWAY FROM THE SURFACE AT THE PERIMETER. THE PERIMETER SHALL BE AT LEAST 1/4" SLOPED AWAY FROM THE SURFACE AT THE PERIMETER.
- BORN SURROUNDING SIDES AND BACK OF THE CWA SHALL HAVE MINIMUM HEIGHT OF 1'.
- VEHICLE TRACKING CONTROL SHALL BE SLOPED 2% TOWARD THE CWA.
- SOIL SHALL BE PLACED BY THE CONSTRUCTION ENTRANCE, AT THE CWA, AND EQUIPMENT AS NECESSARY TO CLEARLY MARK THE LOCATION OF THE CWA TO OPERATORS OF CONCRETE TRUCKS AND PUMP TRUCKS.
- USE EXCAVATED MATERIAL FOR PERIMETER BORN CONSTRUCTION.

Urban Drainage and Flood Control District November 2010
 Urban Storm Drainage Criteria Manual Volume 3
 SSA-3

SM-6 Stabilized Staging Area (SSA)

MM-2 Stockpile Management (SP)



SP-1. STOCKPILE PROTECTION

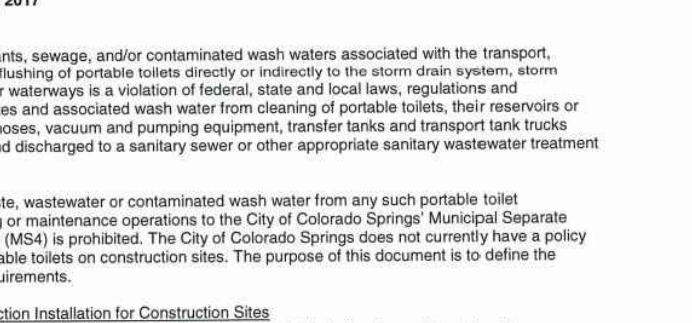
STOCKPILE PROTECTION INSTALLATION NOTES

- SEE PLAN VIEW FOR "STOCKPILE LOCATION".
- DO NOT LOCATE AN AREAS WITHIN 100' OF ANY NATURAL DRAINAGE FEATURE OR WATERBODY. DO NOT LOCATE WITHIN 100' OF ANY WELLS OR DRINKING WATER SOURCES. IF SITE CONDITIONS MAKE THE REPAIRS OF A MORE REMEDIABLE SOIL TYPE OR SIZE, THE CWA MUST BE INSTALLED WITH AN IMPERMEABLE LINER (E.G. MIN. THICKNESS OF 4" POLYETHYLENE TEREPHTHALATE) UNDER THE CONCRETE WASHOUT AREA. THE CONCRETE WASHOUT AREA SHALL BE CONSTRUCTED TO CONTAIN THE STOCKPILE WASHOUT WATER.
- THE CWA SHALL BE INSTALLED PRIOR TO CONCRETE PLACEMENT ON SITE.
- CWA SHALL INCLUDE A FLAT SURFACE THAT IS AT LEAST 1/8" BY 1/8" SLOPED AWAY FROM THE SURFACE AT THE PERIMETER. THE PERIMETER SHALL BE AT LEAST 1/4" SLOPED AWAY FROM THE SURFACE AT THE PERIMETER.
- BORN SURROUNDING SIDES AND BACK OF THE CWA SHALL HAVE MINIMUM HEIGHT OF 1'.
- VEHICLE TRACKING CONTROL SHALL BE SLOPED 2% TOWARD THE CWA.
- SOIL SHALL BE PLACED BY THE CONSTRUCTION ENTRANCE, AT THE CWA, AND EQUIPMENT AS NECESSARY TO CLEARLY MARK THE LOCATION OF THE CWA TO OPERATORS OF CONCRETE TRUCKS AND PUMP TRUCKS.
- USE EXCAVATED MATERIAL FOR PERIMETER BORN CONSTRUCTION.

Urban Drainage and Flood Control District November 2010
 Urban Storm Drainage Criteria Manual Volume 3
 SP-3

MM-2 Stockpile Management (SM)

SC-2 Sediment Control Log (SCL)



SCL-1. SEDIMENT CONTROL LOG

SEDIMENT CONTROL LOG INSTALLATION NOTES

- SEE PLAN VIEW FOR LOCATION AND LENGTH OF SEDIMENT CONTROL LOG.
- SEDIMENT CONTROL LOGS THAT ARE AT PERIMETER CORNERS SHALL BE INSTALLED PRIOR TO ANY UPGRADES AND/OR DISTURBING ACTIVITIES.
- SEDIMENT CONTROL LOGS SHALL BE CONSTRUCTED TO PREVENT EXCESSIVE OF SEDIMENT FROM BEING TRANSPORTED FROM THE TOP OF THE SLOPE. SEDIMENT CONTROL LOGS SHALL BE CONSTRUCTED TO PREVENT EXCESSIVE OF SEDIMENT FROM BEING TRANSPORTED FROM THE TOP OF THE SLOPE.
- SEDIMENT CONTROL LOGS MAY BE USED AS SMALL CHECK DAMS IN DITCHES AND SWALES. HOWEVER, THEY SHOULD NOT BE USED IN PERMANENT STREAMS OF HIGH VELOCITY FLOWING WATER.
- IF IT IS DETERMINED THAT SEDIMENT CONTROL LOGS BE PLACED INTO THE GROUND TO A DEPTH OF APPROXIMATELY 1/2 OF THE DRAINAGE OF THE LOG. IF PLACING TO THE GROUND IS DANGEROUS, A LESSER INCHES DEPTH MAY BE ACCEPTABLE WITH MORE ROBUST MATERIALS.
- SEDIMENT CONTROL LOGS SHALL BE BACKFILLED WITH SOIL THAT IS FREE OF ROCKS AND DEBRIS. SOIL SHALL BE TIGHTLY COMPACTED INTO THE SHAPE OF A RAMP. MINIMUM A SHOULDER OR WEIGHTED LAMIN SHOULD BE PROVIDED AT THE END OF THE LOG.
- FOLLOW MANUFACTURERS' GUIDANCE FOR INSTALLATION. IF MANUFACTURERS' INSTRUCTIONS DO NOT SPECIFY SPACING, LOGS SHALL BE PLACED AT 4' CENTERS AND A MINIMUM OF 10' FROM THE END OF THE LOG. LOGS SHALL BE INSTALLED WITH TOP LOGS TO THE LOG. LOGS SHALL BE INSTALLED WITH TOP LOGS TO THE LOG.

November 2010 Urban Drainage and Flood Control District
 Urban Storm Drainage Criteria Manual Volume 3
 SCL-5

SC-2 Sediment Control Log (SCL)

REV.	DESCRIPTION	DATE



Know what's below.
 Call 72 hours before you dig.
 For more details visit:
 www.call811.com

PREPARED FOR:
PHI REAL ESTATE SERVICES, LLC
 200 W. QTY CENTER DR. STE 200
 PUEBLO, CO 81003

PREPARED UNDER CONTRACT SUPERVISION FOR AND BEHALF OF CATAMOUNT ENGINEERING

 DATE: 7/27/22

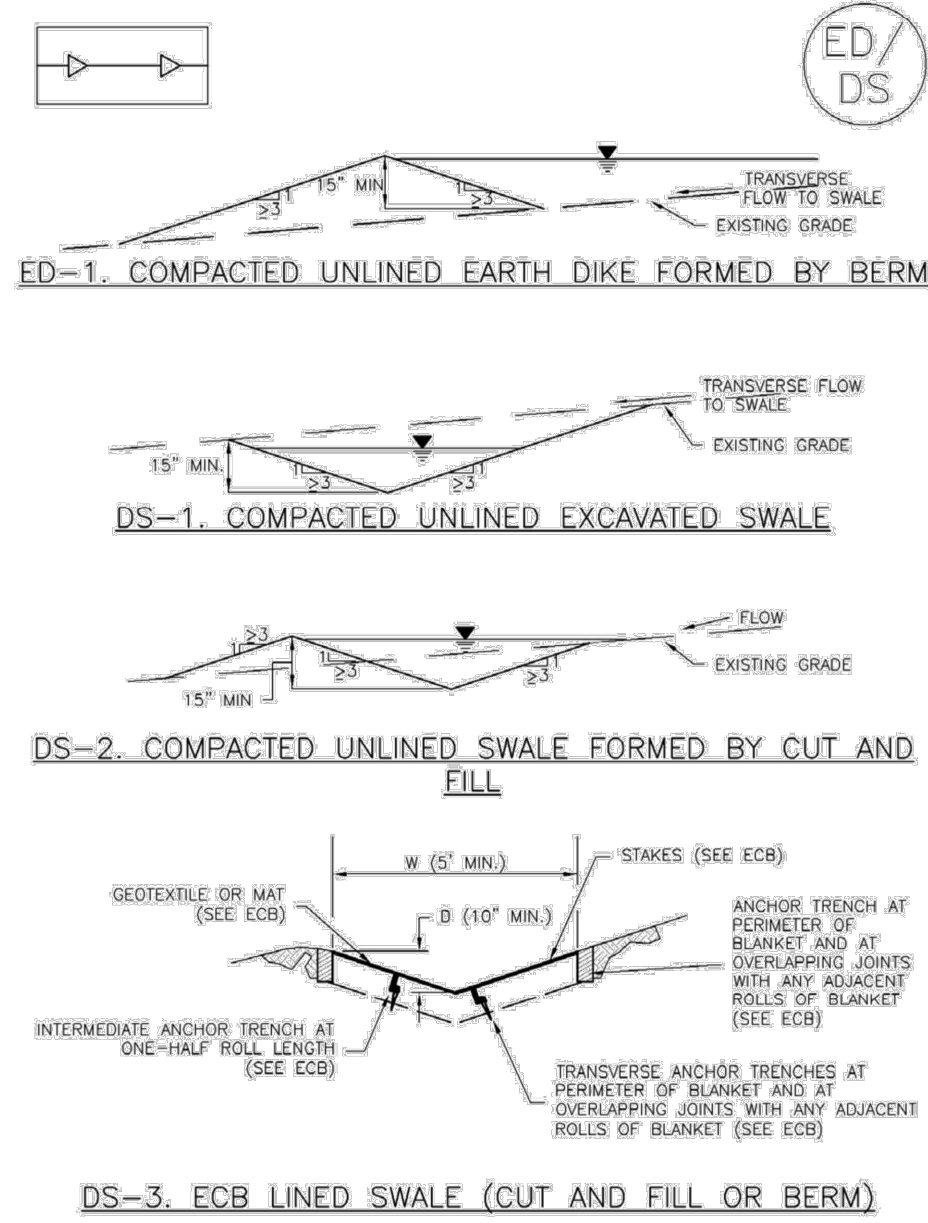
CATAMOUNT ENGINEERING
 PO BOX 692 DWVCC, CO 80814 (719) 425-2124

THE VILLAS AT CLAREMONT RANCH
 GRADING & EROSION CONTROL PLAN
 INITIAL, INTERIM AND VERTICAL PHASES

DRAWN BY: MGP
 SCALE: N/A DATE: 07/15/22
 JOB NUMBER: 16-102 SHEET: 4 OF 5

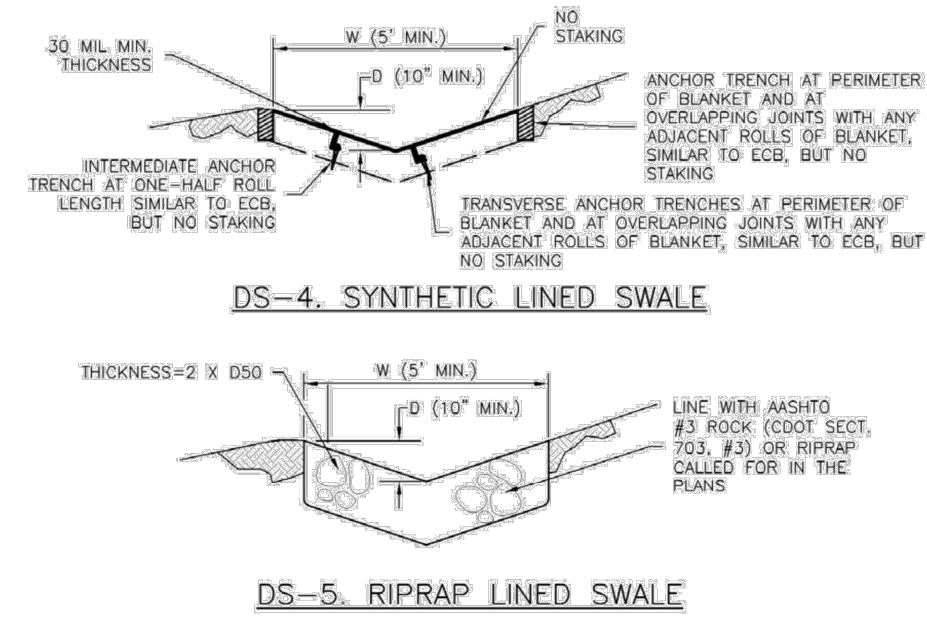
EPC 5/24/23

Earth Dikes and Drainage Swales (ED/DS) EC-10



November 2010 Urban Drainage and Flood Control District Urban Storm Drainage Criteria Manual Volume 3 ED/DS-3

EC-10 Earth Dikes and Drainage Swales (ED/DS)



- EARTH DIKE AND DRAINAGE SWALE INSTALLATION NOTES**
- SEE SITE PLAN FOR:
 - LOCATION OF DIVERSION SWALE
 - TYPE OF SWALE (UNLINED, COMPACTED AND/OR LINED)
 - LENGTH OF EACH SWALE
 - DEPTH, D , AND WIDTH, W , DIMENSIONS
 - FOR ECB/TRM LINED DITCH, SEE ECB DETAIL
 - FOR RIPRAP LINED DITCH, SIZE OF RIPRAP, D50
 - SEE DRAINAGE PLANS FOR DETAILS OF PERMANENT CONVEYANCE FACILITIES AND/OR DIVERSION SWALES EXCEEDING 2-YEAR FLOW RATE OR 10 CFS.
 - EARTH DIKES AND SWALES INDICATED ON SWMP PLAN SHALL BE INSTALLED PRIOR TO LAND-DISTURBING ACTIVITIES IN PROXIMITY.
 - EMBANKMENT IS TO BE COMPACTED TO 90% OF MAXIMUM DENSITY AND WITHIN 2% OF OPTIMUM MOISTURE CONTENT ACCORDING TO ASTM D698.
 - SWALES ARE TO DRAIN TO A SEDIMENT CONTROL BMP.
 - FOR LINED DITCHES, INSTALLATION OF ECB/TRM SHALL CONFORM TO THE REQUIREMENTS OF THE ECB DETAIL.
 - WHEN CONSTRUCTION TRAFFIC MUST CROSS A DIVERSION SWALE, INSTALL A TEMPORARY CULVERT WITH A MINIMUM DIAMETER OF 12 INCHES.

ED/DS-4 Urban Drainage and Flood Control District Urban Storm Drainage Criteria Manual Volume 3 November 2010

Earth Dikes and Drainage Swales (ED/DS) EC-10

EARTH DIKE AND DRAINAGE SWALE MAINTENANCE NOTES

- INSPECT BMPs EACH WORKDAY, AND MAINTAIN THEM IN EFFECTIVE OPERATING CONDITION. MAINTENANCE OF BMPs SHOULD BE PROACTIVE, NOT REACTIVE. INSPECT BMPs AS SOON AS POSSIBLE (AND ALWAYS WITHIN 24 HOURS) FOLLOWING A STORM THAT CAUSES SURFACE EROSION, AND PERFORM NECESSARY MAINTENANCE.
 - FREQUENT OBSERVATIONS AND MAINTENANCE ARE NECESSARY TO MAINTAIN BMPs IN EFFECTIVE OPERATING CONDITION. INSPECTIONS AND CORRECTIVE MEASURES SHOULD BE DOCUMENTED THOROUGHLY.
 - WHERE BMPs HAVE FAILED, REPAIR OR REPLACEMENT SHOULD BE INITIATED UPON DISCOVERY OF THE FAILURE.
 - SWALES SHALL REMAIN IN PLACE UNTIL THE END OF CONSTRUCTION IF APPROVED BY LOCAL JURISDICTION, SWALES MAY BE LEFT IN PLACE.
 - WHEN A SWALE IS REMOVED, THE DISTURBED AREA SHALL BE COVERED WITH TOPSOIL, SEEDS AND MULCHED OR OTHERWISE STABILIZED IN A MANNER APPROVED BY LOCAL JURISDICTION.
- (DETAIL ADAPTED FROM DOUGLAS COUNTY, COLORADO AND THE CITY OF COLORADO SPRINGS, COLORADO, NOT AVAILABLE IN ANOTHER SOURCE)
- NOTE: MANY JURISDICTIONS HAVE BMP DETAILS THAT VARY FROM USDC STANDARD DETAILS. CONSULT WITH LOCAL JURISDICTIONS AS TO WHICH DETAIL SHOULD BE USED WHEN DIFFERENCES ARE NOTED.

November 2010 Urban Drainage and Flood Control District Urban Storm Drainage Criteria Manual Volume 3 ED/DS-5

SEEDING & MULCHING

ALL SOIL TESTING, SOILS AMENDMENT AND FERTILIZER DOCUMENTATION, AND SEED LOAD AND BAG TICKETS MUST BE ADDED TO THE CSWMP.

SOIL PREPARATION

- IN AREAS TO BE SEED, THE UPPER 6 INCHES OF THE SOIL MUST NOT BE HEAVILY COMPACTED, AND SHOULD BE IN FRABLE CONDITION, LESS THAN 85% STANDARD PROCTOR DENSITY IS ACCEPTABLE. AREAS OF COMPACTION OR GENERAL CONSTRUCTION ACTIVITY MUST BE SCARIFIED TO A DEPTH OF 6 TO 12 INCHES PRIOR TO SPREADING TOPSOIL TO BREAK UP COMPACTED LAYERS AND PROVIDE A BLENDING ZONE BETWEEN DIFFERENT SOIL LAYERS.
- AREAS TO BE PLANTED SHALL HAVE AT LEAST 4 INCHES OF TOPSOIL SUITABLE TO SUPPORT PLANT GROWTH.
- THE CITY RECOMMENDS THAT EXISTING AND/OR IMPORTED TOPSOIL BE TESTED TO IDENTIFY SOIL DEFICIENCIES AND ANY SOIL AMENDMENTS NECESSARY TO ADDRESS THESE DEFICIENCIES. SOIL AMENDMENTS AND/OR FERTILIZERS SHOULD BE ADDED TO CORRECT TOPSOIL DEFICIENCIES BASED ON SOIL TESTING RESULTS.
- TOPSOIL SHALL BE PROTECTED DURING THE CONSTRUCTION PERIOD TO RETAIN ITS STRUCTURE AVOID COMPACTION, AND TO PREVENT EROSION AND CONTAMINATION. STRIPPED TOPSOIL MUST BE STORED IN AN AREA AWAY FROM MACHINERY AND CONSTRUCTION OPERATIONS, AND CARE MUST BE TAKEN TO PROTECT THE TOPSOIL AS A VALUABLE COMMODITY. TOPSOIL MUST NOT BE STRIPPED DURING UNDESIRABLE WORKING CONDITIONS (E.G. DURING WET WEATHER OR WHEN SOILS ARE SATURATED). TOPSOIL SHALL NOT BE STORED IN SWALES OR IN AREAS WITH POOR DRAINAGE.

SEEDING

- ALLOWABLE SEED MIXES ARE INCLUDED IN THE CITY OF COLORADO SPRINGS STORMWATER CONSTRUCTION MANUAL. ALTERNATIVE SEED MIXES ARE ACCEPTABLE IF INCLUDED IN AN APPROVED LANDSCAPING PLAN.
- SEED SHOULD BE DRILL-SEEDED WHENEVER POSSIBLE.
- SEED DEPTH MUST BE 3/8 TO 1/2 INCHES WHEN DRILL-SEEDED IS USED.
- BROADCAST SEEDING OR HYDRO-SEEDED WITH TACKIFIER MAY BE SUBSTITUTED ON SLOPES STEEPER THAN 3:1 OR ON OTHER AREAS NOT PRACTICAL TO DRILL SEED.
- SEEDING RATES MUST BE DOUBLED FOR BROADCAST SEEDING OR INCREASED BY 50% IF USING A BRILLIANT DRILL OR HYDRO-SEEDED.
- BROADCAST SEEDING MUST BE LIGHTLY HAND-RAKED INTO THE SOIL.

MULCHING

- MULCHING SHOULD BE COMPLETED AS SOON AS PRACTICABLE AFTER SEEDING, HOWEVER PLANTED AREAS MUST BE MULCHED NO LATER THAN 14 DAYS AFTER PLANTING.
- MULCHING REQUIREMENTS INCLUDE:
 - HAY OR STRAW MULCH
 - ONLY CERTIFIED WEED-FREE AND CERTIFIED SEED-FREE MULCH MAY BE USED. MULCH MUST BE APPLIED AT 2 TONS/ACRE AND ADEQUATELY SECURED BY CRIMPING AND/OR TACKIFIER.
 - CRIMPING MUST NOT BE USED ON SLOPES GREATER THAN 3:1 AND MULCH FIBERS MUST BE TUCKED INTO THE SOIL TO A DEPTH OF 3 TO 4 INCHES.
 - TACKIFIER MUST BE USED IN PLACE OF CRIMPING ON SLOPES STEEPER THAN 3:1.
 - HYDRAULIC MULCHING
 - HYDRAULIC MULCHING IS AN OPTION ON STEEP SLOPES OR WHERE ACCESS IS LIMITED.
 - IF HYDRO-SEEDED IS USED, MULCHING MUST BE APPLIED AS A SEPARATE, SECOND OPERATION.
 - WOOD CELLULOSE FIBERS MIXED WITH WATER MUST BE APPLIED AT A RATE OF 2,000 TO 2,500 POUNDS/ACRE, AND TACKIFIER MUST BE APPLIED AT A RATE OF 100 POUNDS/ACRE.
 - EROSION CONTROL BLANKET
 - EROSION CONTROL BLANKET MAY BE USED IN PLACE OF TRADITIONAL MULCHING METHODS.



STORMWATER ENTERPRISE SEEDING & MULCHING

APPROVED: [Signature]

DATE: 10/27/19

REVISION: 6/19/2020

DRAWING NO.: 900-34

Table 5-1. El Paso County Conservation District All-Purpose Mix for Upland, Transition and Permanent Control Measure Areas

Common Name	Scientific Name	Growth Season / Form	% of Mix	Pounds PLS		
				• Irrigated broadcast hydroseeded	• Non-irrigated broadcast hydroseeded	• Non-irrigated drilled
Bluestem, big	<i>Andropogon gerardii</i>	Warm, cool	.20	4.4	2.2	1.1
Gramma, blue	<i>Bouteloua gracilis</i>	Warm, bank	10	0.5	0.25	0.13
Green needlegrass	<i>Nassella viridula</i>	Cool, bank	10	.2	.1	0.5
Wheatgrass, western	<i>Panicum smithii</i>	Cool, cool	.20	4.4	3.2	1.6
Gramma, sideoats	<i>Bouteloua curtipendula</i>	Warm, bank	10	.2	.1	0.5
Switchgrass	<i>Panicum virgatum</i>	Warm, bank/cool	10	0.8	0.4	0.2
Prairie sandreed	<i>Calamagrostis canadensis</i>	Warm, cool	10	1.2	0.6	0.3
Yellow meadowgrass	<i>Sorghastrum nutans</i>	Warm, cool	10	.2	.1	0.5
Seed rate (lbs PLS/acre)				19.3	9.7	4.8

For purposes of this table located near, on, or above the bottom or where wet soil conditions occur. Planting of prairie meadow grasses and sedges in a 2:1 slope or steeper is not recommended for areas with wetland hydrology.

Species that will do well in the bottom of pond areas.

City of Colorado Springs Stormwater Enterprise Stormwater Construction Manual December 2020

Table 5-2. El Paso County All-Purpose Low Grow Mix for Upland and Transition Areas

Common Name	Scientific Name	Growth Season / Form	% of Mix	Pounds PLS		
				• Irrigated broadcast hydroseeded	• Non-irrigated broadcast hydroseeded	• Non-irrigated drilled
Buffalograss	<i>Bouteloua curtipendula</i>	Warm, cool	.25	9.6	4.8	2.4
Gramma, blue	<i>Bouteloua gracilis</i>	Warm, bank	.20	10.8	5.4	2.7
Gramma, sideoats	<i>Bouteloua curtipendula</i>	Warm, bank	.29	5.6	2.8	1.4
Green needlegrass	<i>Nassella viridula</i>	Cool, bank	.5	3.2	1.6	0.8
Wheatgrass, western	<i>Panicum smithii</i>	Cool, cool	.20	12	6	3
Droopseed, sand	<i>Sporobolus cryptandrus</i>	Warm, bank	.1	0.8	0.4	0.2
Seed rate (lbs PLS/acre)				42	21	10.3

City of Colorado Springs Stormwater Enterprise Stormwater Construction Manual December 2020

REV.	DESCRIPTION	DATE



PREPARED FOR:
PHI REAL ESTATE SERVICES, LLC
200 W. QTY CENTER DR. STE 200
PUEBLO, CO 81003

PREPARED UNDER SUPERVISION FOR AND BEHALF OF CATAMOUNT ENGINEERING

DAVID L. MIJARES, P.E. #40510

DATE: 7/27/22



THE VILLAS AT CLAREMONT RANCH

GRADING & EROSION CONTROL PLAN INITIAL, INTERIM AND VERTICAL PHASES

SCALE: N/A	DATE: 07/15/22
JOB NUMBER: 16-102	SHEET: 5 OF 5

DRAWN BY: MGP