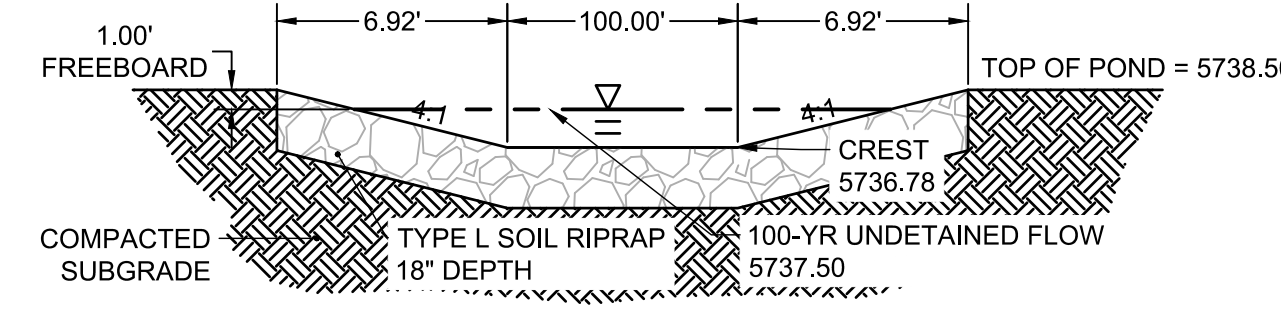
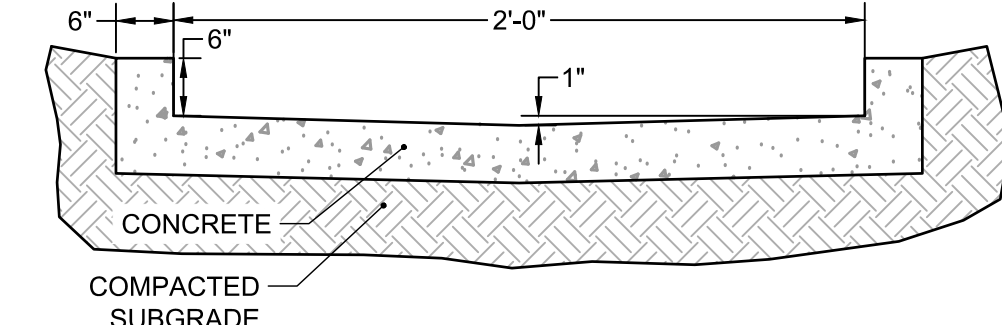


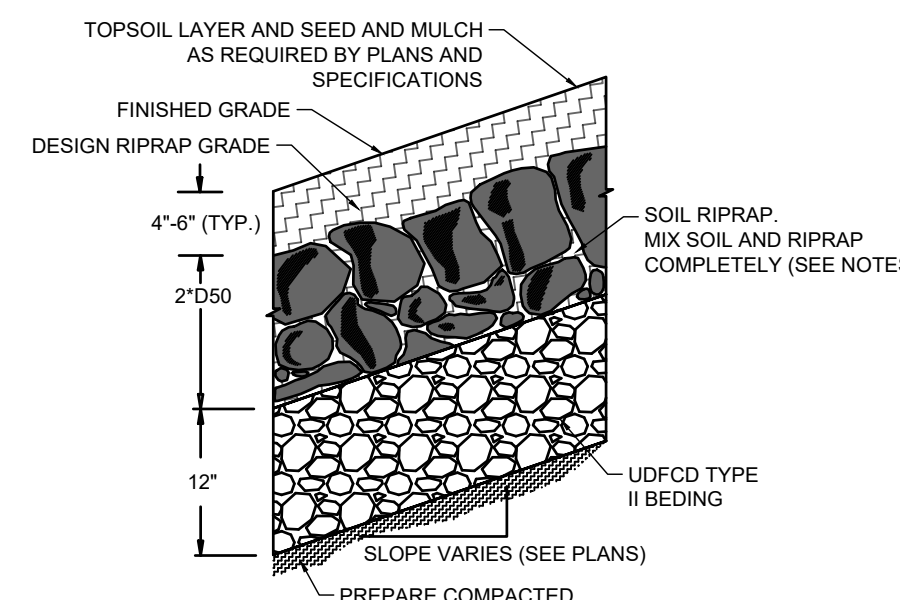
TYPICAL SECTION - MAINTENANCE ROAD
SCALE: NTS



SECTION VIEW - EMERGENCY SPILLWAY
SCALE: NTS



TYPICAL DETAIL - 2.0' TRICKLE CHANNEL
SCALE: NTS



SOIL RIPRAP EMBANKMENT PROTECTION WITH BEDDING TYP. SECTION
N.T.S

- RIPRAP NOTES:**
- SOIL RIPRAP DETAILS ARE APPLICABLE TO SLOPED AREAS REFER TO THE SITE PLAN ACTUAL LOCATION AND LIMITS.
 - MIX UNIFORMLY 65% RIPRAP BY VOLUME WITH 35% OF APPROVED SOIL BY VOLUME PRIOR TO PLACEMENT.
 - PLACE STONE-SOIL MIX TO RESULT IN SECURELY INTERLOCKED ROCK AT THE DESIGN THICKNESS AND GRADE. COMPACT AND LEVEL TO ELIMINATE ALL VOIDS AND ROCKS PROJECTING ABOVE DESIGN RIPRAP TOP GRADE. CRIMP OR TACKIFY MULCH OR USE APPROVED HYDROMULCH AS CALLED FOR IN THE PLANS AND SPECIFICATIONS.
 - ROCK SHALL BE HARD, DURABLE, ANGULAR IN SHAPE, AND FREE FROM CRACKS, OVERBURDEN, SHALE, AND ORGANIC MATTER.
 - NEITHER BREADTH NOR THICKNESS OF A SINGLE STONE SHOULD BE LESS THAN ONE-THIRD ITS LENGTH, AND ROUNDED STONE SHOULD BE AVOIDED.
 - THE ROCK SHOULD SUSTAIN A LOSS OF NOT MORE THAN 40% AFTER 500 REVOLUTIONS IN AN ABRASION TEST (LOS ANGELES MACHINEASTM C-535-89) AND SHOULD SUSTAIN A LOSS OF NOT MORE THAN 10% AFTER 12 CYCLES OF FREEZING AND THAWING (AASHTO TEST 103 FOR LEDGE ROCK PROCEDURE A).
 - ROCK HAVING A MINIMUM SPECIFIC GRAVITY OF 2.65 IS PREFERRED; HOWEVER, IN NO CASE SHOULD ROCK HAVE A SPECIFIC GRAVITY LESS THAN 2.50.

TYPE L RIPRAP

INTERMEDIATE ROCK DIMENSION (IN.)	PERCENT PASSING (%)
15	70-100
12	50-70
9	35-50
3	2-10

*TYPE L RIPRAP D50=9"
D50=MEAN PARTICLE SIZE (INTERMEDIATE DIMENSION) BY WEIGHT

TYPE M RIPRAP

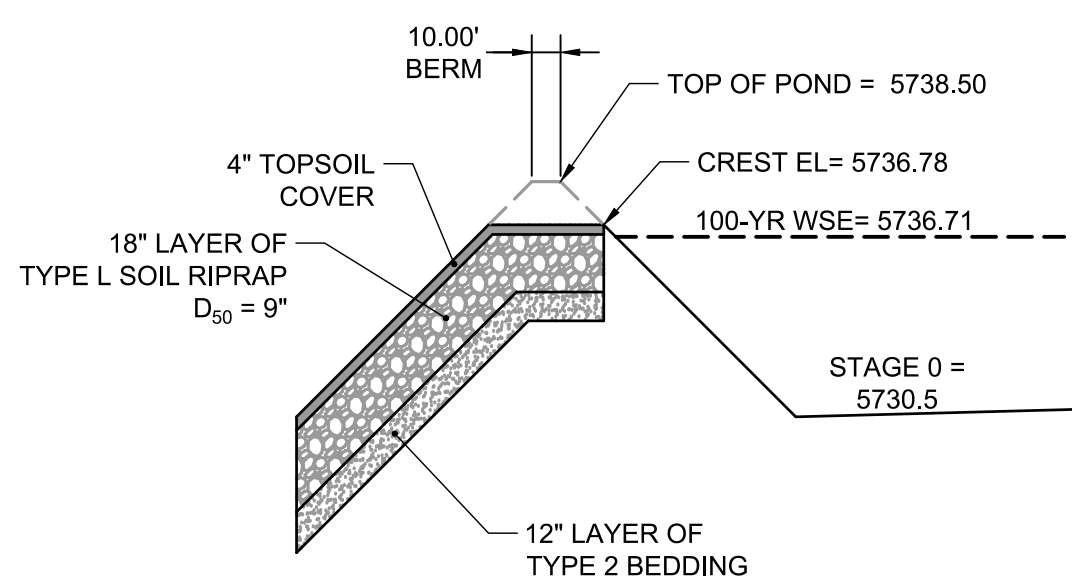
INTERMEDIATE ROCK DIMENSION (IN.)	PERCENT PASSING (%)
21	70-100
18	50-70
12	35-50
4	2-10

*TYPE M RIPRAP D50=12"
D50=MEAN PARTICLE SIZE (INTERMEDIATE DIMENSION) BY WEIGHT

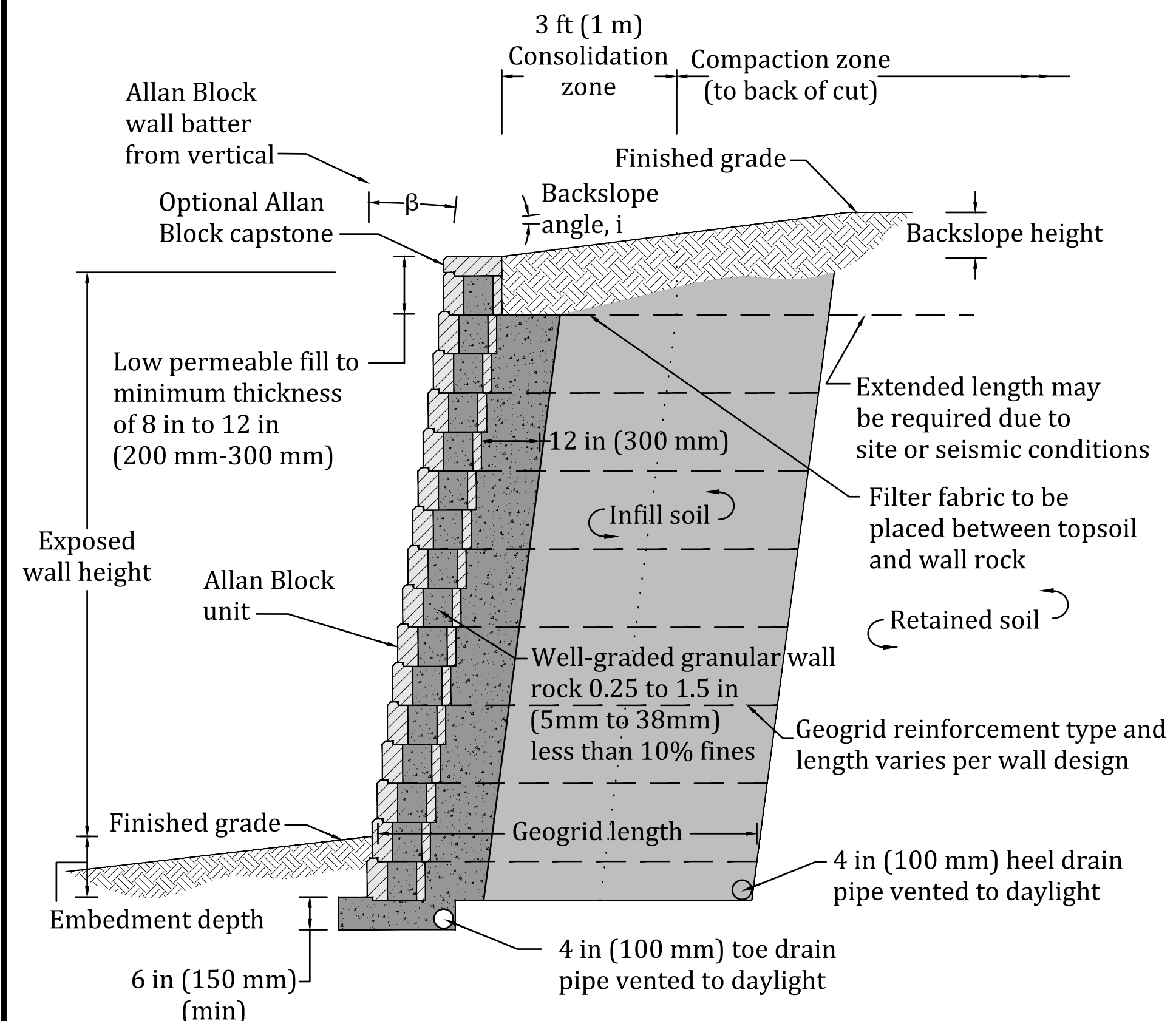
TYPE H RIPRAP

INTERMEDIATE ROCK DIMENSION (IN.)	PERCENT PASSING (%)
30	70-100
24	50-70
18	35-50
6	2-10

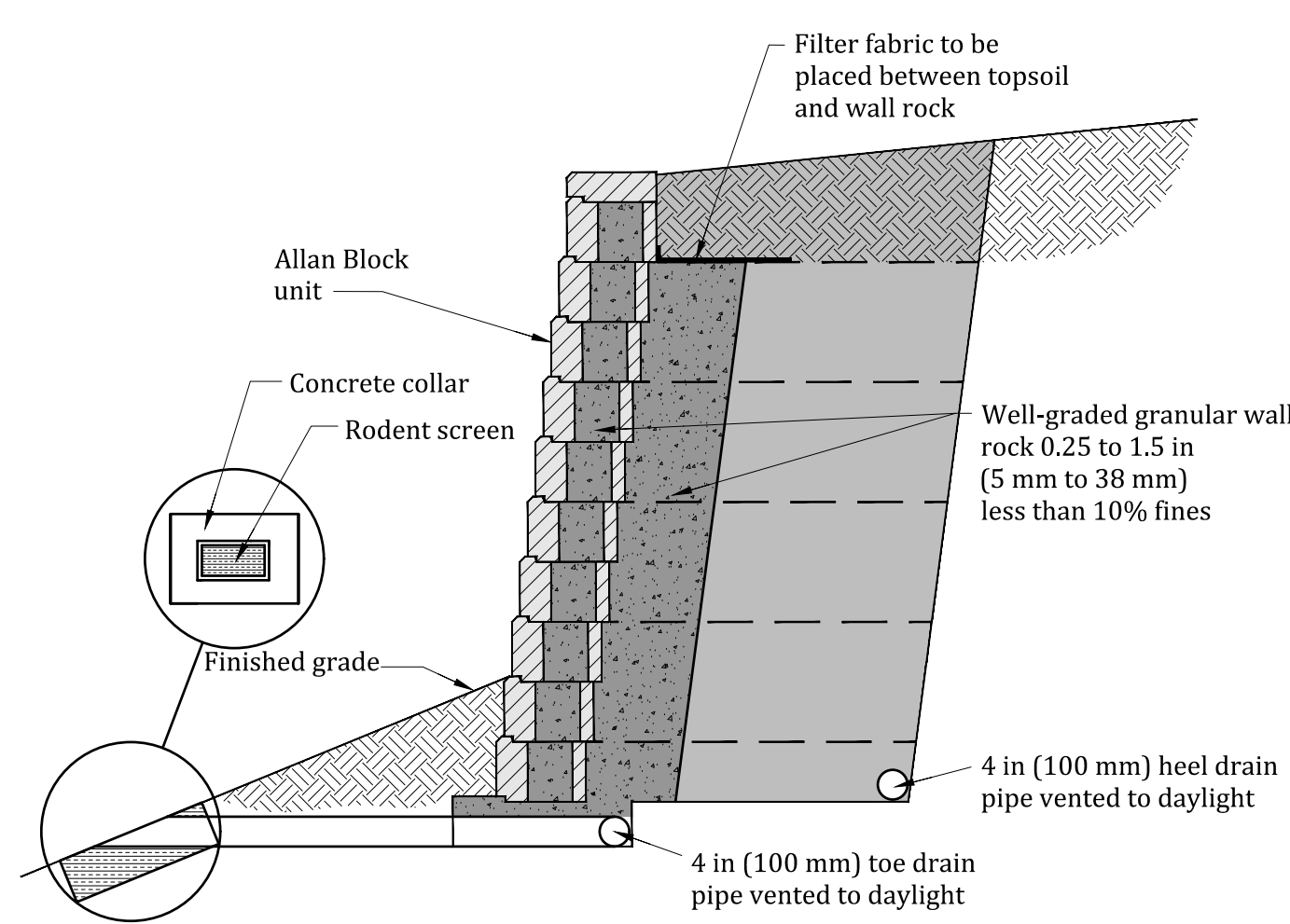
*TYPE H RIPRAP D50=18"
D50=MEAN PARTICLE SIZE (INTERMEDIATE DIMENSION) BY WEIGHT



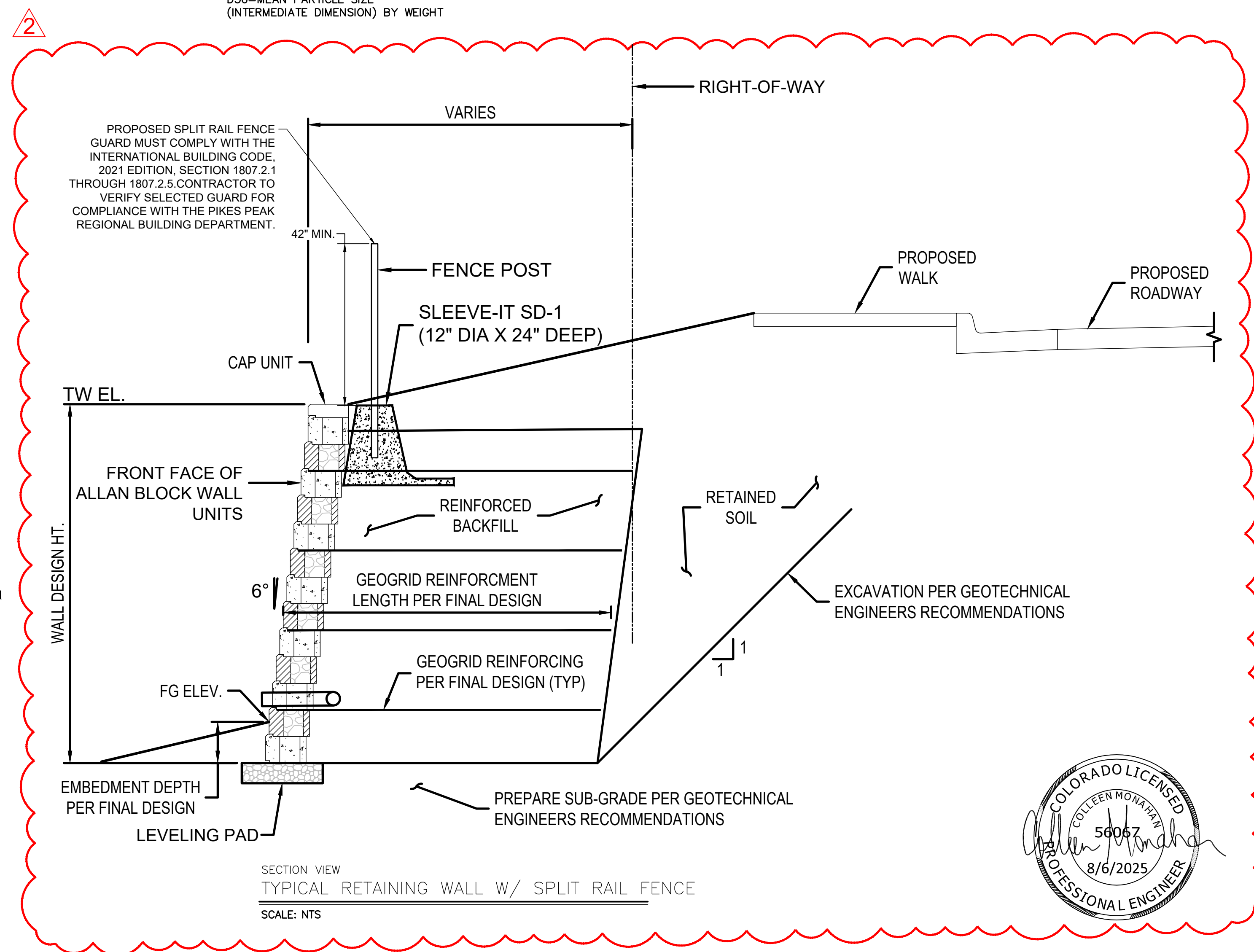
PROFILE VIEW - EMERGENCY OVERFLOW SPILLWAY
SCALE: NTS



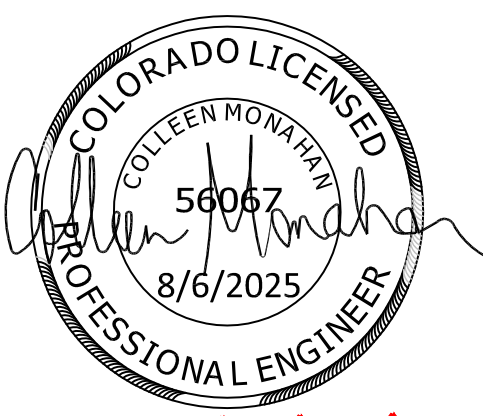
SECTION VIEW TYPICAL RETAINING WALL W/ GEOGRID
SCALE: NTS



SECTION VIEW TYPICAL RETAINING WALL DRAINAGE
SCALE: NTS



SECTION VIEW TYPICAL RETAINING WALL W/ SPLIT RAIL FENCE
SCALE: NTS



DRAWN BY: AXB JOB DATE: 8/6/2025
 APPROVED: CPM JOB NUMBER: 2302308
 CAD DATE: 8/6/2025
 CAD FILE: J:\2023\2302308\CAD\DWG\CID\CD\Pond

NO.	DATE	BY	REVISION DESCRIPTION
1	01/04/24	SPC	REVISIONS PER POTHOLES DATA
2	08/04/25	SPC	RETAINING WALL REVISION



HR GREEN - COLORADO SPRINGS
 1975 RESEARCH PARKWAY SUITE 230
 COLORADO SPRINGS, CO 80920
 PHONE: 719.384.2440
 FAX: 713.965.0044

PEACEFUL RIDGE AT FOUNTAIN VALLEY
 PEACEFUL RIDGE DEVELOPMENT COMPANY
 EL PASO COUNTY, CO

CONSTRUCTION DOCUMENTS
 POND DETAILS
 SHEET DT 64
 PCD FILE NO. CDR-22-015