

architect

associated with

Eagle Lake Camp
6935 Rampart Range Rd
Cascade, CO 80905

project

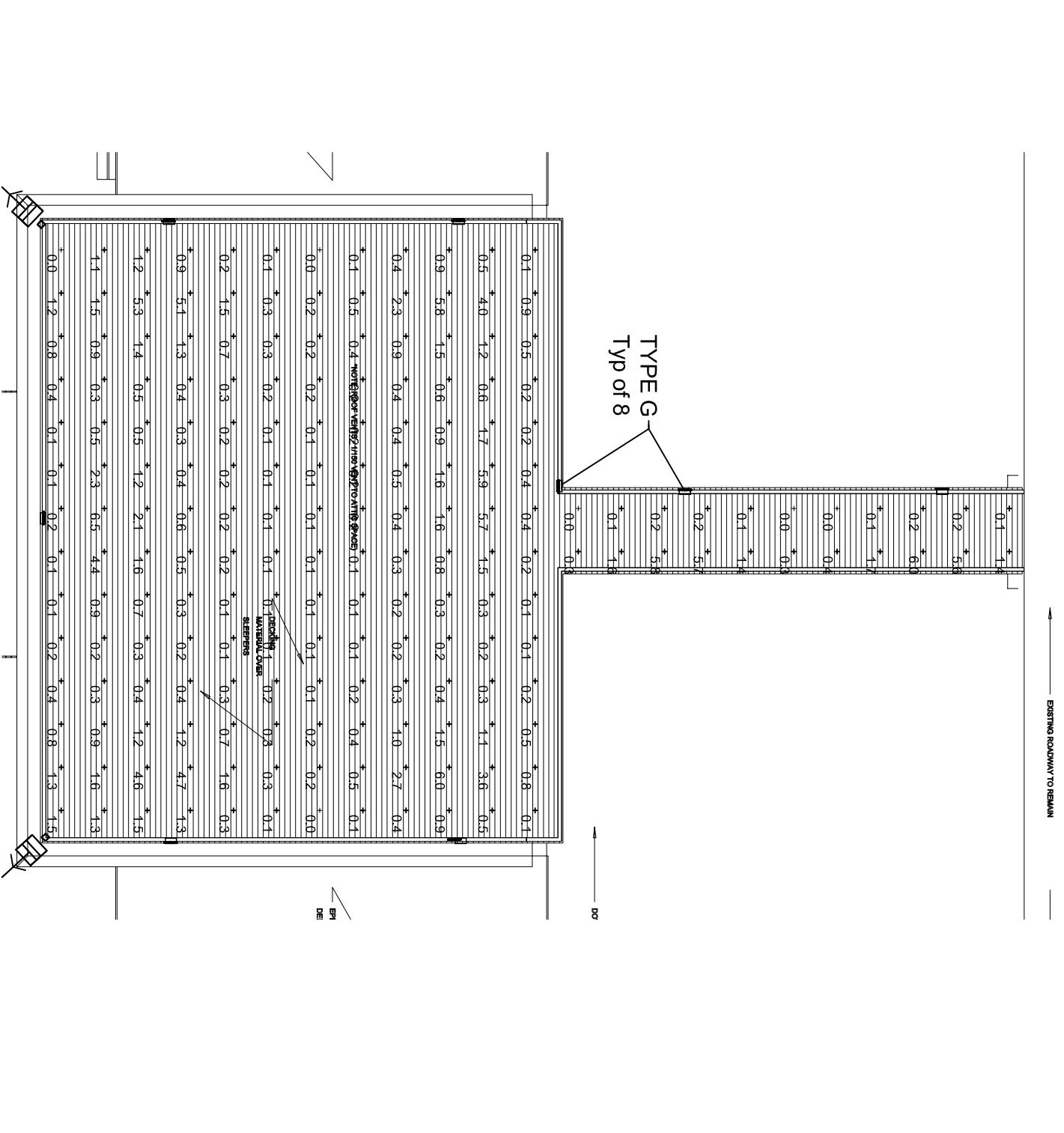


seal

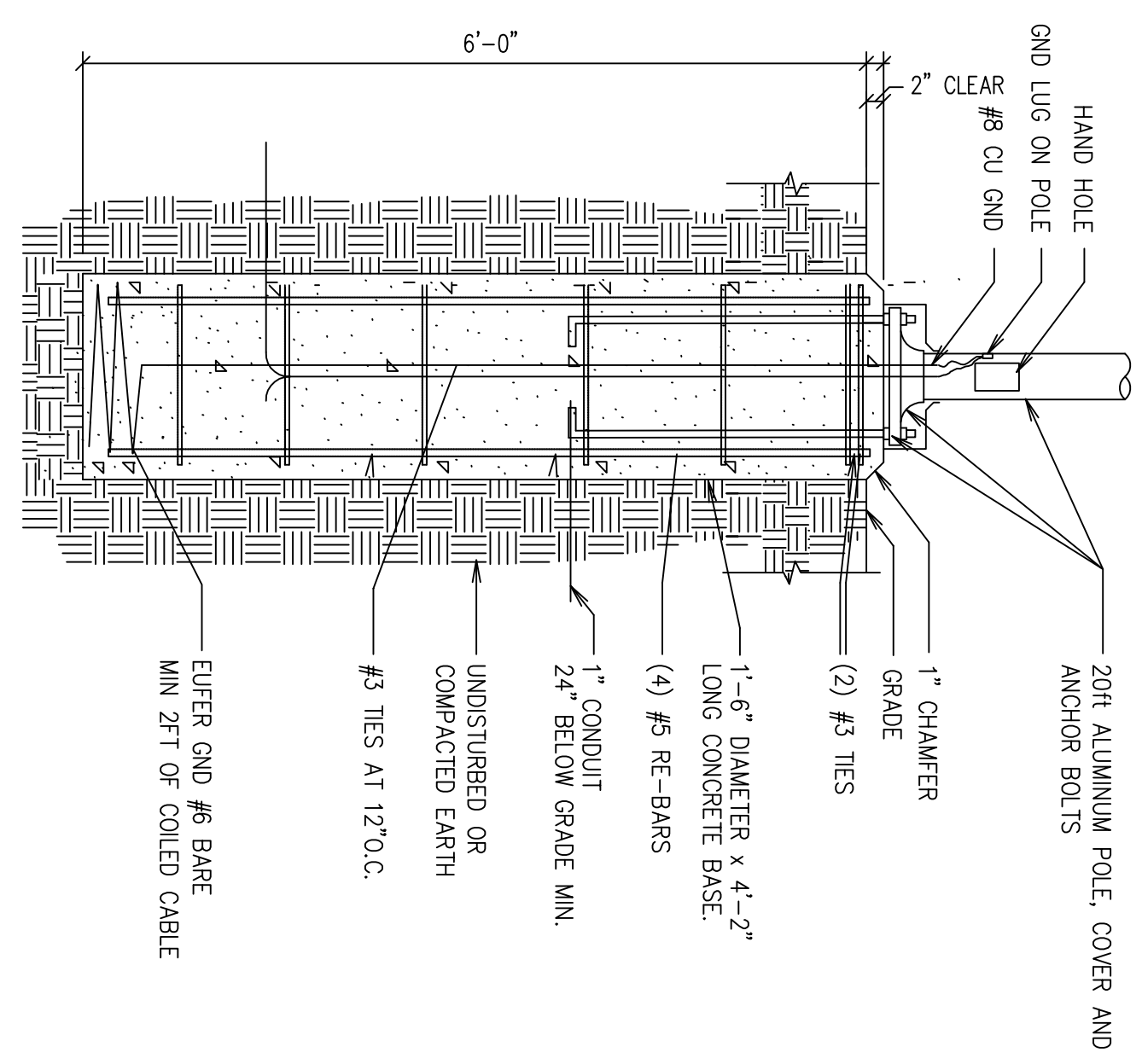
number	description	chkd	drawn	job #	issue / revision
	Development Plan		Author	148-107	
			CAD		
			Checker	JBT	

**DEVELOPMENT
PLAN
ELECTRICAL**

E-001



UPPER DECK PLAN - LIGHTING POINT-CALCS
NO SCALE



TYPE F1 & F2 - POLE BASE DETAIL
NO SCALE



TYPE D

PRESCOLITE LC6SL, 1000 LM, 4000K
LED, FULL CUT-OFF, 8-INCH DOWN LIGHT
RECESSED, WET-LOCATION



TYPE F1

LITHONIA RSKXF1 LED WIDE FLOOD
CUT-OFF VISOR TO LIMIT SPILL LIGHT
10,600 LUMENS, 4000K
POLE MTD TO ILLUMINATE BEACH AREA



TYPE E

LITHONIA DSCF2 - LED
SMALL LED FLOOD LIGHT, 6800 LUMENS, 4000K
SURFACE MTD TO POSTS ON UPPER DECK



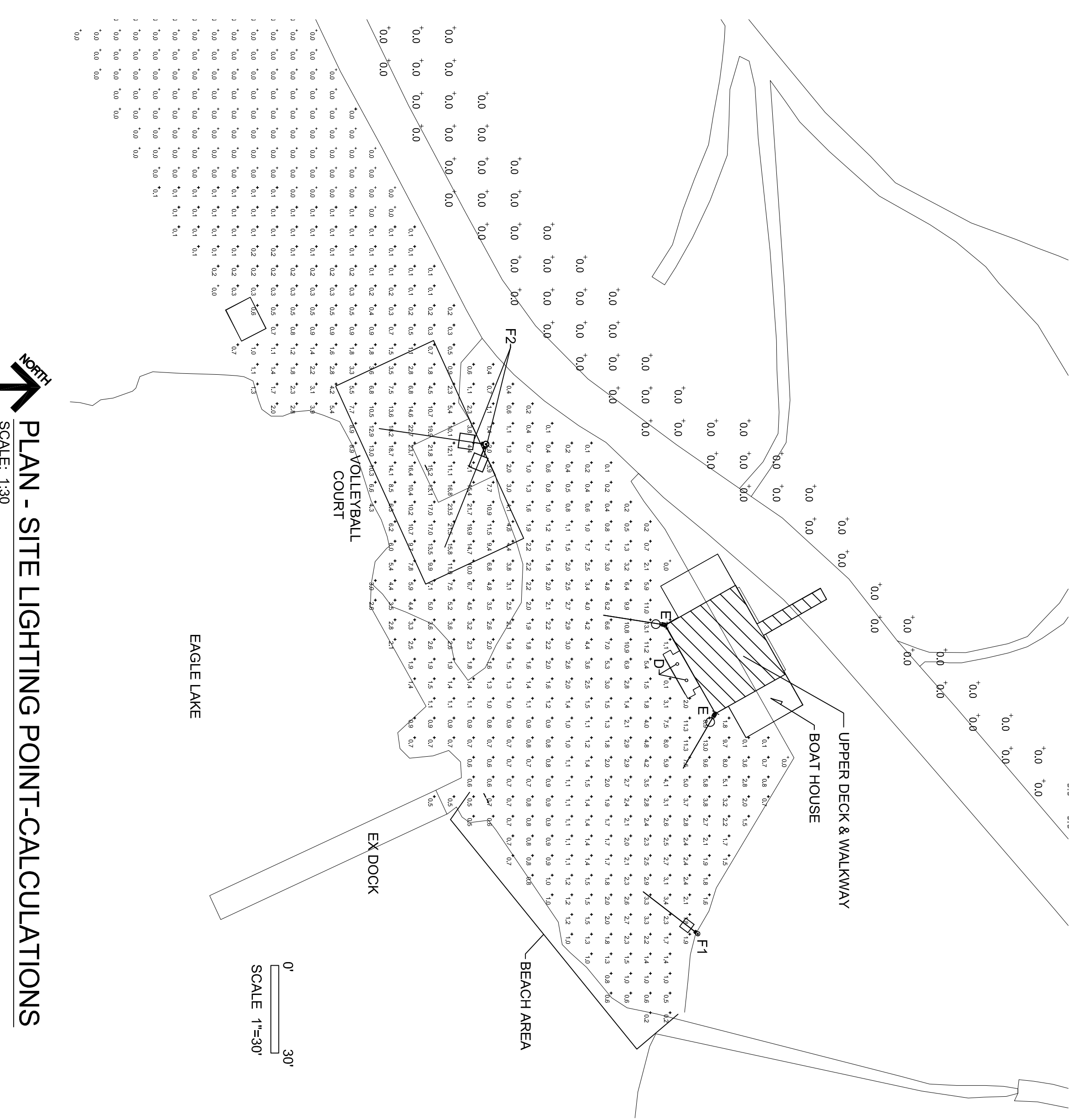
TYPE G

LITESTEP SLEED2, LED STEP LIGHT
FULL CUT-OFF, 130 LUMENS, 4000K
SURFACE MTD ON UPPER DECK



TYPE F2

LITHONIA RSKXF2 LED FLOOD
CUT-OFF VISOR TO LIMIT SPILL LIGHT
24,900 LUMENS, 4000K
POLE MTD LIGHT FOR VOLLEYBALL COURT



PLAN - SITE LIGHTING POINT-CALCULATIONS
SCALE: 1"=30'