

**Construction Activities Stormwater Management Plan (SWMP)  
Grading, Erosion and Stormwater Quality Control Plan  
Briargate Parkway Bridge Design  
El Paso County, Colorado  
38.960°N, -104.674°W**

Owner/Developer:  
Sterling Ranch Metropolitan District  
20 Boulder Crescent, 2<sup>nd</sup> Floor  
Colorado Springs, Colorado 80903  
719-471-1742

PCD Filing No.: CDR2113

Prepared by:  
The logo for Kiowa Engineering Corporation features the word "Kiowa" in a large, bold, black sans-serif font. Below "Kiowa" is a stylized graphic of a landscape with blue hills on the left and green hills on the right, separated by a white line. Underneath the graphic, the words "Engineering Corporation" are written in a smaller, black, sans-serif font. The entire logo is underlined with two horizontal lines.

**Kiowa**  
Engineering Corporation

1604 South 21st Street  
Colorado Springs, Colorado 80904  
(719) 630-7342  
Contact: Todd Cartwright, P.E.

Kiowa Project No. 19032

April 25, 2022

Qualified Stormwater Manager: \_\_\_\_\_

Contractor: \_\_\_\_\_

**TABLE OF CONTENTS**

**Table of Contents**..... i

**State Stormwater Discharge Permit Requirements**..... ii

**I. Stormwater Management Plan Objectives**..... 1

    A. State Permit Applicant ..... 2

    B. SWMP Terms ..... 2

    C. Contractor Required Items ..... 3

**II. Site Description**..... 3

    A. Nature of the Construction Activity ..... 3

    B. Sequence of Major Activities ..... 4

    C. Estimate of Area and Volume Disturbed ..... 4

    D. Soil Data ..... 5

    E. Existing Vegetation and Ground Cover ..... 5

    F. Potential Pollution Sources ..... 5

    G. Non-stormwater Discharges ..... 6

    H. Receiving Waters ..... 6

**III. SWMP Site Map Contents** ..... 6

**IV. Stormwater Management Controls**..... 7

    A. Qualified Stormwater Manager ..... 7

    B. Identification of Potential Pollutant Sources: ..... 7

    C. Best Management Practices (BMPs) for Pollution Prevention ..... 9

**V. Final Stabilization and Long-Term Stormwater Management** ..... 12

**VI. Recommended Inspection and Maintenance Procedures** ..... 13

    A. Minimum Inspection Schedule ..... 13

    B. BMP Operation and Maintenance. .... 15

**VII. References**..... 16

**Appendix Table of Contents**..... 17

**List of Figures (Additional figures and tables are included in the Appendix)**

Figure 1 Vicinity Map .....Appendix

Figure 2 FIRM Panels 533G and 535G.....Appendix

## STATE STORMWATER DISCHARGE PERMIT REQUIREMENTS

At least ten days prior to the anticipated start of construction activities (i.e. the initial disturbance of soils associated with clearing, grading, excavation activities, installation of structural Best Management Practices, or other activities), for projects that will disturb one (1.0) acre or more, the owner or operator of the construction activity must submit an application as provided by the Colorado Department of Public Health and Environment, Water Quality Control Division (Division). This form may be reproduced and is also available from the Division's web site. Applications received by the Division are processed and a permit certification and other relevant materials will be sent to the attention of the legally responsible person. The application contains certification of completion of a storm water management plan (SWMP). Do not include a copy of the Stormwater Management Plan, unless requested by the Division.

For information or application materials contact:

Colorado Department of Public Health and Environment  
Water Quality Control Division  
WQCD-P-B2  
4300 Cherry Creek Drive South  
Denver, Colorado 80246-1530  
<https://www.colorado.gov/pacific/cdphe/wq-construction-general-permits>

Electronic Application – CDPHE website:

<https://www.colorado.gov/pacific/cdphe/WQ%20permits%20construction%20electronic%20application>

## I. STORMWATER MANAGEMENT PLAN OBJECTIVES

The objective of the Stormwater Management Plan (SWMP) is “to identify possible pollutant sources that may contribute pollutants to stormwater and identify Best Management Practices (BMPs) that, when implemented, will reduce or eliminate any possible water quality impacts. The SWMP must be completed and implemented at the time the project breaks ground and revised as construction proceeds, to accurately reflect the conditions and practices at the site (CDPHE *Stormwater Management Plan Preparation Guidance*)”. A general schedule or phasing of BMPs will be determined by construction schedule and ground disturbances necessitating required erosion control methods/BMPs. The SWMP shall be implemented until expiration or inactivation of permit coverage. Evaluations of and modifications to this plan may be necessary during the length of the construction project until the site is finally stabilized.

SWMP Plan Availability: A copy of the Stormwater Discharge Permit from the State of Colorado, SWMP Report, SWMP Site Map, SWMP Notes and Details; and inspection reports shall be kept on site by the Qualified Stormwater Manager at all times, as to be available for use by the operator/Qualified Stormwater Manager and to be available for inspection by federal, state and local agencies. If an office location is not available at the site, the SWMP must be managed so that it is available at the site when construction activities are occurring (for example: by keeping the SWMP in the superintendent’s vehicle). The permittee shall retain copies of the SWMP and all reports required by the Permit and records of all data used to complete the Permit application for three (3) years minimum after expiration or inactivation of permit coverage, unless the community requires a longer period.

This SWMP should be viewed as a “living document” that is continuously being reviewed and modified as a part of the overall process of evaluating and managing stormwater quality issues at the site. The Qualified Stormwater Manager shall amend the SWMP when there is a change in design, construction, operation or maintenance of the site which would require the implementation of new or revised BMPs or if the SWMP proves to be ineffective in achieving the general objectives of controlling pollutants in stormwater discharges associated with construction activity or when BMPs are no longer necessary and are removed. If the Qualified Stormwater Manager feels that modifications to the BMPs shown on the SWMP are necessary to provide for a more effective plan, the Qualified Stormwater Manager should contact the County Inspector to obtain acceptance of the proposed modifications prior to installing the BMPs. The process will include: 1) Evaluate pollutant sources, 2) Select BMPs, 3) Document BMPs, 4) Implement BMPs. Minor field modifications to the BMPs may be approved by the County inspector. All other requested major modifications shall be in writing and submitted to the County for approval.

SWMP revisions must be made prior to changes in the site conditions, except for “Responsive SWMP Changes” as follows:

- SWMP revision must be made immediately after changes are made in the field to address BMP installation and/or implementation issues; or
- SWMP revisions must be made as soon as practicable, but in no case more than 72 hours, after change(s) in BMP installation and/or implementation occur at the site that require development of materials to modify the SWMP
  - ◊ A notation must be included in the SWMP prior to the site change(s) that includes the time and date of the change(s) in the field, and identification of the BMP(s) removed or added and the location(s) of the BMP(s). Modifications to the SWMP shall be submitted to the County within seven days.

An El Paso County Erosion and Stormwater Quality Control Permit (ESQCP) is required along with a Colorado Discharge Permit System (CDPS), Stormwater Discharge Associated with Construction Activities Permit from the Colorado Department of Public Health and Environment for this project. The general conditions associated with the permits must be followed through the duration of the land disturbing activities at the site. For additional details or more specific information on the CDPS permit, consult the CDPS General Permit No. COR-030000. County ESQCP: Signoff and acceptance of both the Grading Plan and the Erosion Control Plan, or a combined plan, by the County constitute and an ESQCP authorizing the approved land disturbance and implementation of the approved erosion and stormwater quality control measures are required.

#### **A. State Permit Applicant**

The State Permit applicant (also referred to as the Permittee) must be a legal entity that meets the definition of the owner and/or operator of the construction site, in order for this application to legally cover the activities occurring at the site. The applicant must have day-to-day supervision and control over activities at the site and implementation of the SWMP. Although it is acceptable for the applicant to meet this requirement through the actions of a contractor, as discussed in the examples below, the applicant remains liable for violations resulting from the actions of their contractor and/or subcontractors. Examples of acceptable applicants include:

Owner or Developer - An owner or developer who is operating as the site manager or otherwise has supervision and control over the site, either directly or through a contract with an entity such as those listed below.

General Contractor or Subcontractor - A contractor with contractual responsibility and operational control (including SWMP implementation) to address the impacts construction activities may have on stormwater quality.

Other Designated Agents/Contractors - Other agents, such as a consultant acting as construction manager under contract with the owner or developer, with contractual responsibility and operational control (including SWMP implementation) to address the impacts construction activities may have on stormwater quality.

Refer to the CDPHE, *Stormwater Management Plan Preparation Guidance* for additional information.

The Permittee shall be legally responsible for compliance with the State Permit.

#### **B. SWMP Terms**

Best Management Practices (BMPs): BMPs encompass a wide range of erosion and sediment control practices, both structural and non-structural in nature, that are intended to reduce or eliminate any possible water quality impacts from stormwater leaving a construction site. The individual BMPs appropriate for a particular construction site are largely dependent of the types of potential pollutant sources present, the nature of the construction activity, and specific-site conditions.

Nonstructural BMPs, such as preserving natural vegetation, preventive maintenance and spill response procedures, schedules of activities, prohibition of specific practices, education, and other management practices are mainly operational or managerial techniques.

Structural BMPs include treatment processes and practices ranging from diversion structures and silt fences, to retention ponds and inlet protection.

Construction Start Date: This is the day when ground disturbing activities are expected to begin, including grubbing, stockpiling, excavating, demolition, and grading activities.

Disturbance Area Determination: Aside from clearing, grading and excavation activities, disturbed areas also include areas receiving overburden (e.g., stockpiles), demolition areas, and areas with heavy equipment/vehicle traffic and storage that disturb existing vegetative cover.

Final Stabilization Date: In terms of permit coverage, this is when the site is finally stabilized. This means that all ground surface disturbing activities at the site have been completed, and all disturbed areas have been either built on, paved, or a uniform vegetative cover has been established with an individual plant density of at least 70 percent of pre-disturbance levels (refer to Final Stabilization Section). Permit coverage must be maintained until the site has reached Final Stabilization. Even if only one part of the project is being done, the estimated final stabilization date must be for the overall project. If permit coverage is still required once your part is completed, the permit certification may be transferred or reassigned to a new responsible entity(s).

SWMP Drawings: Also known as the SWMP Site Map.

### **C. Contractor Required Items**

The Contractor shall include and/or provide the following items prior to beginning land disturbing activities:

- Add the Qualified Stormwater Manager and Alternate with phone numbers to this plan.
- Construction Dates – Verify the construction dates indicated in this report. Update as necessary to reflect the planned schedule.
- Material Handling and Spill Prevention procedures – See Section IV-4.
- Application - Insert Application for CDPS Stormwater Discharge Associated with Construction Activities Permit into Appendix.
- Permit - Insert Permit for CDPS Stormwater Discharge Associated with Construction Activities into Appendix.
- Location of SWMP and Records: The most current version of the SWMP. Construction activities discharge permit, inspection reports and other related files shall be onsite by the Contractor during the period of construction.
- Calculate preconstruction percentage of cover for the existing vegetation and document using photographs.

## **II. SITE DESCRIPTION**

### **A. Nature of the Construction Activity**

The proposed activities will include drainageway improvements along the Sand Creek and bridge crossing of Sand Creek at Sterling Ranch Road and at Briargate Parkway. Included in the project is the stabilization of the existing floodplain along Sand Creek. Stabilization measures include spoil riprap low flow channel, soil riprap and grass-lined overbank channel that will range in width from 20 to 50-feet, 19 grouted sloping boulder necessary to achieve stable longitudinal design slopes that range from 0.2 to 0.8 of 0.5 percent and a multi-use

trail. Drainageway and bridge geometry have been designed to be able to convey the 100-year discharge. The bottom width of the low-flow channel will be 25-feet. All soil/riprap will be un-grouted and will be revegetated. Channel stabilization work will be preceded by the installation of initial construction stormwater BMPs, clear and grubbing, topsoil, temporary and permanent seeding and temporary and permanent mulching.

**i. Site Location**

The site is located within the Sterling Ranch development. Drainageway improvements will begin at the south property line of Sterling Ranch and extend north to the north property line covering approximately 8,800 lineal feet. The site is located within the portions of Sections 27 and 33 Township 12 South, Range 65 West of the 6th Principal Meridian, in El Paso County, Colorado. The location of the site is shown on the Vicinity Map (Figure 1).

**ii. Adjacent Areas**

The site is bounded to the west by the Branding Iron at Sterling Ranch Filing 2 and Homestead at Sterling Ranch Filing 2, on the south by the Rancheros Filing No. 1 subdivision, and on the east and north by undeveloped land owned by the developer(s) of Sterling Ranch.

**B. Sequence of Major Activities**

The major construction activities associated with this project are shown in the table below along with an approximate timing of the sequence. In general, the Qualified Stormwater Manager and the Contractor will identify the precise schedule to be used during the term of this project and modify this schedule as needed. Minimal clearing and grubbing may be necessary to install the initial erosion control features. Access to the construction site will be accomplished via the rough graded road section for Sterling Ranch Road and Briargate Boulevard. Accordingly, vehicle tracking will be established at any paved roadway where construction traffic could be anticipated.

Approximate Sequence of Major Construction Activities:

Mobilization and installation of initial BMPs	September 2022
Clearing and grubbing, channel earthwork	September -October 2022
Grading	October –December 2022
Drainageway Construction	January- March 2022
Bridge construction	April-July 2022
Site Revegetation	August 2022
End Construction (refer to <i>Final Stabilization...</i> section)	September 2022

The temporary erosion control measures can be removed when Final Stabilization has occurred. Refer to the Final Stabilization section for a description of the requirements.

**C. Estimate of Area and Volume Disturbed**

The total site area associated with the construction is 0.7 acres. The estimated area of disturbance corresponds to that necessary to perform grading and proposed improvements. Locations of disturbed areas are as shown on the SWMP Site Maps included in Appendix. All other areas are planned to remain undisturbed.

Earthwork operations will involve be roughly 2,000 cubic yards of Cut-to-Fill. Fill will be placed within the limits of construction. The earthwork quantity is approximate.

#### **D. Soil Data**

Soils within the area of disturbance are classified to be within Hydrologic Soils Group B as shown in the El Paso County Soils Survey. Specifically, the site includes Pring sandy loam. These consist mainly of deep well drained soil clay loams with a moderate to high hazard of erosion. Hydrologic Soil Group B soils have a moderate infiltration rate when thoroughly wet. These consist chiefly of moderately deep or deep, moderately well drained or well drained soils that have moderately fine texture to moderately coarse texture. These soils have a moderate rate of water transmission and a moderate erosion hazard. Discharges of these soils into the receiving waterways could cause localized areas of sediment deposition. Deposition of excessive amounts of sediment could in turn cause a decrease in the hydraulic capacity of the drainageway.

Pre-construction 100-year runoff coefficient for the site is 0.25 and the post-construction runoff coefficient will be roughly 0.25.

#### **E. Existing Vegetation and Ground Cover**

The existing site is undeveloped, and the vegetative cover is in fair condition with non-native and native grasses and herb. The channel banks are lined with trees, most notably Russian olive and Siberian elms. The existing ground slopes on the overbanks are moderate and range from 1 to 6 percent. Slopes along the channel are moderate to extreme, nearly vertical at some locations.

During the design phase an estimate of 65 percent ground cover was made using aerial photographs for the segment of Sand Creek subject to the construction. The low percent cover results from the sand bed channel of the drainageway. It is recommended that the contractor take pictures of the existing vegetation cover at various locations within the area proposed for disturbance prior to construction to document the preconstruction vegetative cover percentage. Contractor shall provide calculations of vegetative cover that they feel will be necessary to make the Final Stabilization comparison (refer to Final Stabilization section for additional information). The contractor will be responsible for providing the documentation to make this comparison to the County and the State of Colorado, Water Quality Control Division.

#### **F. Potential Pollution Sources**

The potential pollution sources for the site that may have an impact to stormwater include the following items. During the initial phase of the work, the Qualified Stormwater Manager should identify the locations of the potential pollutant sources on the SWMP site map and routinely update them as the work progresses.

1. Ground disturbing activities and grading - Sediment
2. Off-site vehicle tracking - Sediment
3. Vehicle maintenance or fueling – Fuel, oil, chemicals
4. Storage of demolition and disposal items – Sediment, asphalt, concrete
5. Soil, aggregate and sand stockpiling - Sediment
6. Storage of fertilizers, materials or chemicals - Chemicals
7. Haul routes – Sediment, fuel, oil
8. Landscaping – Fertilizers, sediment, over-watering, pesticides
9. Portolet – Chemicals, human waste



## G. Non-stormwater Discharges

In the existing condition there are no known non-stormwater discharges from the project site, such as springs and landscape irrigation return flows. During construction, the following non-stormwater discharges from the project site could occur.

1. Construction dewatering – is not anticipated, but in the case groundwater is encountered, a CDPHE construction dewatering permit will be required prior to performing the dewatering activities. A dewatering bag or other approved BMP shall be used during dewatering.
2. Release of concrete washout water – Not anticipated.
3. Runoff from water used for dust control – Not anticipated. The contractor should limit the amount of water used for dust control to an amount less than would result in runoff. Perimeter control BMPs are planned to filter water that may cause runoff.

If any other non-stormwater discharges from the site become apparent during the term of construction, the occurrence and mitigation shall be addressed by the Qualified Stormwater Manager.

## H. Receiving Waters

In the existing condition, the site drains by the East Fork Jimmy Camp Creek flowing from the northeast in a southeasterly manner to join the mainstem of Jimmy Camp Creek a short distance downstream.

Immediate Receiving water(s): Sand Creek

Ultimate Receiving Water(s): Fountain Creek

Sand Creek is a major drainageway that crosses through the northwest portion of the site from north to south. The subject property is located within a Zone AE FEMA regulated floodplain based on Flood Insurance Rate Map 08041C0957G, dated December 7, 2018. The planned improvements to Sand Creek will modify the existing floodplain. A Conditional Letter of Map Revision (CLOMR) has been submitted to FEMA for the major drainageway and bridge construction. The FIRM panel for the project area is contained in the Appendix. The 100-year floodplain will be contained within the proposed channel section and will not extend into the proposed lots.

## III. SWMP SITE MAP CONTENTS

The SWMP Site Map and SWMP Drawings are considered a part of this plan. It identifies the following:

1. Construction site boundaries;
2. All areas of ground disturbance;
3. Areas of cut and fill;
4. Areas used for storage of building materials, equipment, soil, or waste;
5. Locations of all structural BMPs;
6. Locations of non-structural BMPs where applicable;
7. Locations of springs, streams, wetlands, detention basins, irrigation canals, roadside ditches and other surface waters.

The Qualified Stormwater Manager will be required to regularly update SWMP Site Maps contained in Appendix so that current conditions at the site can be reflected at all times.

**IV. STORMWATER MANAGEMENT CONTROLS**

**A. Qualified Stormwater Manager**

The Permittee shall designate the Qualified Stormwater Manager. The Qualified Stormwater Manager is typically the Contractor or his/her designated representative and is responsible for developing, implementing, maintaining and revising the SWMP. The Qualified Stormwater Manager is the contact person with the County and State for all matters pertaining to the SWMP. The Qualified Stormwater Manager is the person responsible for the SWMP accuracy, completeness and implementation. Therefore the Qualified Stormwater Manager should be a person with authority to adequately manage and direct day to day stormwater quality management activities at the site. The Qualified Stormwater Manager shall have the authority to act on behalf of the Permittee(s) to ensure the site remains in compliance with the CDPS Stormwater Discharge Associated with Construction Activities Permit and the County's ESQCP. An Alternate Qualified Stormwater Manager who is able to serve in the same capacity as the Qualified Stormwater Manager shall also be selected.

The Qualified Stormwater Manager shall be present at the project site a majority of the time and (along with the Alternate Qualified Stormwater Manager) shall provide the County with a 24-hour emergency contact number.

If the Qualified Stormwater Manager or Alternate changes for any reason, it shall be noted/redlined on this Plan. The County shall be notified in writing of any change.

Qualified Stormwater Manager: \_\_\_\_\_

Phone: \_\_\_\_\_

Alternate Qualified Stormwater Manager: \_\_\_\_\_

Phone: \_\_\_\_\_

**B. Identification of Potential Pollutant Sources:**

At a minimum, the following sources and activities shall be evaluated for the potential to contribute pollutants to stormwater discharges and identified in the SWMP if found to have such potential. The sources of any potential pollutants must be controlled through BMP selection and implementation. Each pollutant source recognized through this process as having the potential to contribute pollutants to stormwater, must be identified in the SWMP along with the specific stormwater management control (BMPs) that will be implemented to adequately control the source. (Note: the actual evaluation of the potential pollutant sources does NOT need to be included in the SWMP – just the resultant pollutant sources and their associated BMPs.). The Qualified Stormwater Manager shall determine the need for and locations of each of the following potential pollutant sources during the course of the construction project.

Could it Contribute?	Potential Pollutant Source	BMP Implemented to Control Source
Yes	All disturbed and stored soils	Sediment control logs, inlet protection, seed and mulch
Yes	Vehicle tracking of sediments	VTC is offsite from construction limits
No	Management of contaminated soils	
Yes	Loading and unloading operations	Stabilized staging area, materials storage area, vehicle tracking control, silt fence
Yes	Outdoor storage activities (building materials, fertilizers, chemicals, etc.)	Stabilized staging area, materials storage area, perimeter silt fence
Yes	Vehicle and equipment maintenance and fueling	Stabilized staging area, materials storage area, perimeter silt fence
Not expected	Significant dust or particulate generating processes	Control by sprinkling with water and other appropriate means.
Yes	Routine maintenance activities involving fertilizers, pesticides, detergents, fuels, solvents, oils, etc	Use as recommended by manufacturer and in areas specified, inlet protection
Yes	On-site waste management practices (waste piles, liquid wastes, dumpsters, etc)	Stabilized staging area, silt fence, inlet protection, sediment basin, non-structural BMPs. Daily cleanup of staging and stockpile area to be conducted.
No	Concrete truck/equipment washing, including the concrete truck chute and associated fixtures and equipment	Cast-in-place concrete is anticipated to complete the part of the work. Concrete washouts will be provided.
No	Dedicated asphalt and concrete batch plants	There are no concrete or asphalt batch plant required for this project
Yes	Non-industrial waste sources such as worker trash and portable toilets	Stabilized staging area, construction fence, non-structural BMPs. Daily cleanup of staging and stockpile area to be conducted
Yes	Other areas or procedures where potential spills can occur	Construction fence

The Air Pollution Control Division of the Colorado Department of Public Health and Environment (CDPHE) has passed air quality regulations consistent with Federal legislation. Regulation No. 3 requires submittal of an Air Pollutant Emission Notice (APEN) for sources of fugitive dust from construction sites, as well as other sources. Regulation No. 1 defines particulate emission control regulations for haul roads and roadways. Additional controls, such as road watering, may be necessary to fully comply with these regulations at a construction site. The Contractor should contact CDPHE about APENs and other air quality requirements.

### C. Best Management Practices (BMPs) for Pollution Prevention

1. A list of the Structural BMPs for erosion and sediment control implemented on the site to minimize erosion and sediment are as follows. Refer to the SWMP Drawings for Installation and Maintenance requirements for each structural BMP and refer to the SWMP drawings for the location of the BMPs.
  - a) Sediment control logs (SCL): A temporary sediment barrier constructed of straw wattles placed continuously behind the back of the boulder low flow linings.
  - b) Stabilized Staging Area (SSA): Consists of stripping topsoil and spreading a layer of granular material in the area to be used for a trailer, parking, storage, unloading and loading. Silt fence will be installed as a perimeter control around stored construction materials (riprap), topsoil, and temporary soil stockpiles.
  - c) Concrete Washout Area (CWA): An approved portable concrete washout system, or a shallow excavation with a small perimeter berm to isolate concrete truck washout operations.
  - d) Erosion Control Blanket (ECB): Slopes equal to greater than the steepness indicated on the plans shall be protected with an erosion control blanket.
  - e) Vehicle Tracking Control (VTC): Consists of a rock pad that is intended to help strip mud from tires prior to vehicles leaving the construction site. Installed at all entrance/exit points to the site. The number of access points shall be minimized.
  - f) Inlet protection (IP): Installed at appropriate inlets
  - g) Construction fencing: This will consist of plastic construction fencing at the limits of disturbance.

Minimal clearing and grubbing may be necessary prior to installing the initial erosion control features.

No clearing, grading, excavation, filling or other land disturbing activities shall be permitted until signoff and acceptance of the Grading Plan and Erosion Control Plan (or the combined plan) is received from the County.

Once signoff and acceptance is received, the approved erosion and sediment control measures must be installed before land-disturbing activities are initiated so that no adverse effect of site alteration will impact surrounding property.

2. Non-structural practices for erosion and sediment control to be used to minimize erosion and sediment transport are:
  - a) Seeding and Mulching (SM): Temporary seeding and mulching will be used to stabilize disturbed areas that will be inactive for an extended time. Permanent seeding should be used to stabilize areas at final grade that will not otherwise be stabilized.
  - b) Hydro-mulching (MU): Temporary hydro-mulching will be used to stabilize disturbed areas that will be inactive for an extended time. Permanent seeding should be used to stabilize areas at final grade that will not otherwise be stabilized.

### 3. Phased BMP Implementation:

The Qualified Stormwater Manager shall update the BMP Implementation if necessary to meet and/or address the Contractor's schedule. The SWMP shall be updated as necessary to reflect the BMPs installed.

#### a) Installation of Initial BMPs

Prior to any construction activities, erosion control facilities shall be installed. Minimal demolition, clearing and grubbing may be necessary prior to installing the initial erosion control features. Stabilization of demolished asphalt and cleared or grubbed areas to be completed the same day if possible. The "initial" BMPs include, but may not be limited to, construction fencing, silt fence (perimeter control at stockpile area(s), stabilized staging area, and material storage area. Designated areas for construction trailer (if used), trash container, portolets, vehicle and equipment parking and material storage. If these areas are not indicated on the plan, the contractor must "red line" the plan with the locations. Provide a confined area for maintenance and fueling of equipment from which runoff will be contained and filtered. BMP / Erosion Control facility waste shall be disposed of properly.

#### b) Clearing, grubbing and site clearing

The measures included in the previous sequence shall be maintained and continue. The removal debris and dead vegetation shall be disposed of properly. If a soil stockpile area is needed, the area shall be protected in accordance with the DCM and the stockpile area shall be redlined onto the plan. Existing vegetation to remain shall be protected. Wind erosion shall be controlled on the site by sprinkling and other appropriate means.

#### c) Site Grading and Drainageway Construction

The measures included in the previous sequence shall be maintained and continue. The earthwork will occur within the 100-year floodplain of the drainageway when the stabilization measures are installed. It is the intent to minimize the disturbance of the native vegetation by limiting access points and haul roads within the drainageway. The contractor shall not leave any equipment in the bottom of the creek in times when precipitation is expected or when the contractor is not on site. Sediment control logs shall be placed along the low flow channel that forms the low flow channel. Dewatering is not anticipated for the work within and adjacent to the drainageway. Construction details related to dewatering should be prepared and included with a CDPHE construction dewatering permit application. A CDPHE construction dewatering permit is required prior to performing the dewatering activities. Excess and removed asphalt and concrete shall be disposed of properly. Materials associated with drainageway construction shall be stored in the areas delineated on the SWMP site plan. If an area is not delineated on the plan, the contractor shall "red line" the plan to show the location. Material waste from drainageway construction shall be disposed of properly. Solvents, paints and chemicals shall be stored and disposed properly.

#### d) Landscaping

The measures included in the previous sequence shall be maintained and continue, unless the work requiring the measure is completed. Seeding and mulching shall be installed. Avoid excess watering and placing of fertilizers and chemicals.

e) Final Stabilization

The necessary erosion control measures included in the previous sequence shall continue until Final Stabilization is reached. Refer to Final Stabilization section for requirements.

The Qualified Stormwater Manager shall amend the SWMP if necessary and as required, refer to Section I.

4. Materials handling and spill prevention:

The Qualified Stormwater Manager will inspect daily to ensure proper use and disposal of materials on-site including building materials, paints, solvents, fertilizers, chemicals, waste materials and equipment maintenance or fueling procedures. All materials stored on-site will be stored in a neat and orderly manner in the original containers with the original manufacturer's label and where possible under a roof or other enclosure to prevent contact with stormwater. Chemicals should be stored within berms or other secondary containment devices to prevent leaks and spills from contacting stormwater runoff. Before disposing of the container all of a product will be used up whenever possible and manufacturer's recommendations for proper disposal will be followed according to state and local regulations.

Material and equipment necessary for spill cleanup will be kept in the material storage area on-site. Manufacturer's recommendations for spill cleanup will be posted and site personnel will be made aware of the procedures along with the location of the information and cleanup supplies.

The contractor shall have spill prevention and response procedures that include the following:

- a) Notification procedures to be used in the event of an accident. At the very least, the Qualified Stormwater Manager should be notified. Depending on the nature of the spill and the material involved, the Colorado Department of Public Health and Environment (24-hour spill reporting line - 877-518-5608), downstream water users or other agencies may also need to be notified.
- b) Instructions for clean-up procedures and identification of spill kit location(s).
- c) Provisions for absorbents to be made available for use in fuel areas and for containers to be available for used absorbents.
- d) Procedures for properly washing out concrete truck chutes and other equipment in a manner and location so that the materials and wash water cannot discharge from the site and never into a storm drain system or stream.

5. Dedicated concrete or asphalt batch plants:

No dedicated concrete or asphalt batch plants will be used.

6. Waste management and disposal:

All construction site waste both liquid and solid must be contained in approved waste containers and disposed of off-site according to state and local regulations. Waste disposal bins will be emptied at 75% capacity and will be checked for leaks and overflowing capacity daily to ensure capacity is not exceeded. Portable toilets will be located a minimum of 10-feet from stormwater inlets and 50-feet from state waters. They will be secured at all four corners to prevent overturning and cleaned on a weekly basis. They will be inspected daily for spills.

7. Groundwater and stormwater dewatering:

Groundwater dewatering is not anticipated for the work within channel. During groundwater or stormwater dewatering, locations and practices to be implemented to control stormwater pollution from excavations, etc. must be noted on the SWMP. A separate CDPHE construction discharge (dewatering) permit will be required for groundwater dewatering and shall be obtained by the Qualified Stormwater Manager. Construction dewatering water cannot be discharged to surface water or to storm sewer systems without separate permit coverage. The discharge of Construction Dewatering water to the ground, under specific conditions, may be allowed by the Stormwater Construction Permit when appropriate BMPs are implemented. Refer to USDCM Volume III (UDFCD) for County acceptable means of dewatering.

## V. FINAL STABILIZATION AND LONG-TERM STORMWATER MANAGEMENT

“Final stabilization is reached when all ground surface disturbing activities at the site have been completed and uniform vegetative cover has been established with an individual plant density of at least 70 percent of pre-disturbance levels, or equivalent permanent, physical erosion reduction methods have been employed.” When vegetation is used to achieve final stabilization, the 70% vegetation requirement applies to a uniform plant density, which means that all areas of the site that rely on a vegetative cover to achieve stabilization must be uniformly vegetated. The contractor will be responsible for providing the documentation to make this comparison to the County and the State of Colorado, Water Quality Control Division. The stormwater permit allows the permittee to use alternatives to vegetation to achieve final stabilization. All alternatives to vegetation must meet specific criteria to be considered equivalent to vegetation, specifically: Stabilization must be permanent, all disturbed areas must be stabilized, and alternatives must follow good practices, refer to CDPHE Memo, dated March 5, 2013 (see References).

Temporary seeding for the project site shall include drilled seeding and mulching and hydro-mulching. For the application methods, soil preparation and seeding and mulching and hydro-mulching requirements, refer to SWMP Drawings. All slopes steeper than four-to-one (4:1) must be covered with an erosion control blanket meeting the County requirements.

There are no proposed water quality or detention facilities because the proposed drainageway improvement activities occur within the existing channel.

Management of storm water after completion of construction will be accomplished by utilizing the practices listed below.

- Upon completion of construction, the site shall be inspected to ensure that all equipment, waste materials and debris have been removed.
- The site will be inspected to make certain that all graded surfaces have been paved, landscaped or seeded with an appropriate ground cover.
- All silt fence, inlet protection, sediment logs, rock socks, etc. and all other control practices and measures that are to remain after completion of construction will be inspected to ensure their proper functioning.

- The contractor shall remove erosion control measures that are not required to remain.

After all construction activities are completed on the site, but final stabilization has not been achieved, the contractor shall make a thorough inspection of the stormwater management system at least once every month.

The contractor shall be responsible for maintaining the BMPs and stormwater controls in good working order and shall also be responsible for the costs incurred until such time as final stabilization is reached. Once final stabilization has been achieved the contractor shall be responsible for removal of the erosion control measures. This project does not rely on control measures owned or operated by another entity.

Should any of the erosion control facilities (BMPs) become in disrepair prior to the establishment of the native or natural erosion control measures, the Contractor is responsible for the cost of such maintenance. The Contractor is also responsible for the clean-up of offsite areas affected by any sediment that may leave the site. Control of erosion from areas disturbed by drainageway, utility or building construction will be the responsibility of the respective contractor. All erosion control measures shown on the plan shall be installed and maintained in accordance with Best Management Practices.

Inactivation of permit coverage: Coverage under the Stormwater Construction Permit may be inactivated by the permittee when the site has attained final stabilization, all temporary erosion and sediment control measures have been removed, and all components of the SWMP are complete.

## VI. RECOMMENDED INSPECTION AND MAINTENANCE PROCEDURES

### A. Minimum Inspection Schedule

1. Frequency. Contractor should inspect and document Construction BMP's at the following times and intervals.
  - a) After installation of any Construction BMP;
  - b) At least once every 14 days, but a more frequent inspection schedule may be necessary to ensure that BMPs continue to operate as needed to comply with the permit.
  - c) Within 24 hours after a precipitation or snowmelt event that produces runoff or causes surface erosion.
2. Consult State Permit No. COR-030000 for alternate inspection requirements at temporarily idle sites, at completed sites, or for winter conditions.
3. Refer to the Standard Details for the maintenance procedures associated with each BMP.
4. Inspection Procedures. The inspection must include observation of:
  - a) The construction site perimeter and discharge points (including discharges into a storm sewer system);
  - b) All disturbed areas;
  - c) Areas used for material/waste storage that are exposed to precipitation
  - d) Other areas determined to have a significant potential for stormwater pollution, such as demolition areas or concrete washout locations, or locations where vehicles enter or leave the site;
  - e) Erosion and sediment control measures identified in the SWMP; and any other structural BMPs that may require maintenance, such as secondary containment around fuel tanks, or the condition of spill response kits.

The inspection must determine if there is evidence of, or the potential for, pollutants entering the drainage system. BMPs should be reviewed to



determine if they still meet the design and operational criteria in the SWMP, and if they continue to adequately control pollutants at the site. Any BMPs not operating in accordance with the SWMP must be addressed as soon as possible, immediately in most cases, to minimize the discharge of pollutants, and the SWMP must be updated as described.

5. Record Keeping and Documenting Inspections: Keeping accurate and complete records serves several functions. First, keeping records of spills, leaks, inspections, etc. is a requirement of the State Stormwater Construction Permit; therefore, enforcement action, including fines, could result if records are not adequate. Second, by keeping accurate and detailed records, you will have documentation of events which could prove invaluable should complications arise concerning the permit, lawsuits, etc.
6. Inspection Checklist/Report. The Permittee must document inspection results and maintain a record of the results for a period of 3 years following expiration or inactivation of permit coverage. These records must be made available to CDPHE, the County or EPA upon request. The Qualified Stormwater Manager should record the inspection results on a site-specific standardized inspection report or County Inspection Checklist to be maintained and kept on the construction site. An example template for the inspection report format is included in the Appendix. The Qualified Stormwater Manager should develop a site-specific inspection report that itemizes the selected Construction BMP's for their site. At a minimum the following information from each inspection should be recorded on the site-specific report:
  - a) Date of inspection;
  - b) Name, title and signature of inspector;
  - c) Location(s) of discharges of sediment or other pollutants from the site;
  - d) Location(s) of BMPs that need to be maintained;
  - e) Location(s) of BMPs that failed to operate as designed or proved inadequate for a particular location;
  - f) Location(s) where additional BMPs are needed that were not in place at the time of inspection;
  - g) Deviations from the minimum inspection schedule as provided in the permit;
  - h) Descriptions of corrective actions for any item above, date(s) of corrective actions taken, and measures taken to prevent future violations, including requisite changes to the SWMP, as necessary and
  - i) After adequate corrective action(s) has been taken, or where a report does not identify any incidents requiring corrective actions, the report shall contain a signed statement indicating the site is in compliance with the permit to the best of the signer's knowledge and belief.
7. Inspection Checklists/Reports to County: Inspection Checklists/Reports to County: Completed Inspection Checklists will be submitted electronically to the assigned County Engineering inspector within 5 business days of the inspection. The inspections checklists must also be kept on-site. In the location designated. The Qualified Stormwater Manager will be responsible for signing the inspection forms.

**B. BMP Operation and Maintenance.**

The Qualified Stormwater Manager is responsible for operation and maintenance of construction BMPs. The Qualified Stormwater Manager will inspect the site per inspection and monitoring protocol outlined above and will make any necessary repairs to construction BMPs immediately after a defect or other need for repair is discovered. The project site and the adjacent streets impacted by the construction shall be kept neat, clean and free of debris. The erosion control measures and facilities will be maintained in good working order until final stabilization. Any items that are not functioning properly or are inadequate will be promptly repaired or upgraded. Records of inspections must be kept and be available for review by the State of Colorado Water Quality Control Division or the County.

## VII. REFERENCES

- 1) CDPS General Permit: Stormwater Discharges Associated with Construction Activity Permit No. COR-030000. Colorado Department of Public Health and Environment, dated July 1, 2007. Administratively continued effective July 1, 2012.
- 2) CDPHE, Stormwater Discharges Associated with Construction Activity, Stormwater Management Plan Preparation Guidance, prepared by CDPHE, dated April 2011.
- 3) CDPHE Memorandum, Final Stabilization requirements for stormwater construction permit termination, Alternatives to the 70% plant density re-vegetation requirement, prepared by CDPHE, dated March 5, 2013.
- 4) El Paso County Drainage Criteria Manual (Volumes 1 and 2) and Engineering Criteria Manual, current editions.
- 5) Volume 3, Urban Storm Drainage Criteria Manual, by Urban Drainage and Flood Control District, current edition.
- 6) Soil Survey of El Paso County Area, Colorado, prepared by United States Department of Agriculture Soil Conservation Service.
- (7) Flood Insurance Rate Map, Map Number 08041C0757G, by Federal Emergency Management Administration, dated December 7, 2018.

## **APPENDIX TABLE OF CONTENTS**

### **APPENDIX A**

**Figure 1 - Vicinity Map**

**Figure 2 - FIRM Panels 533G and 535G**

### **APPENDIX B**

\*\*Permittee Provided: Application for CDPS Stormwater Discharge Associated with Construction Activities Permit

### **APPENDIX C**

\*\*Permittee Provided: CDPS Stormwater Discharge Associated with Construction Activities Permit

### **APPENDIX D**

Example – Exhibit A: Erosion and Sediment Control Field Inspection Report

Example – Exhibit B: Corrective Action Report

### **APPENDIX E**

SWMP Plans

**APPENDIX A**

**Figure 1 - Vicinity Map**

**Figure 2 – FIRM Panels 533G and 535G**

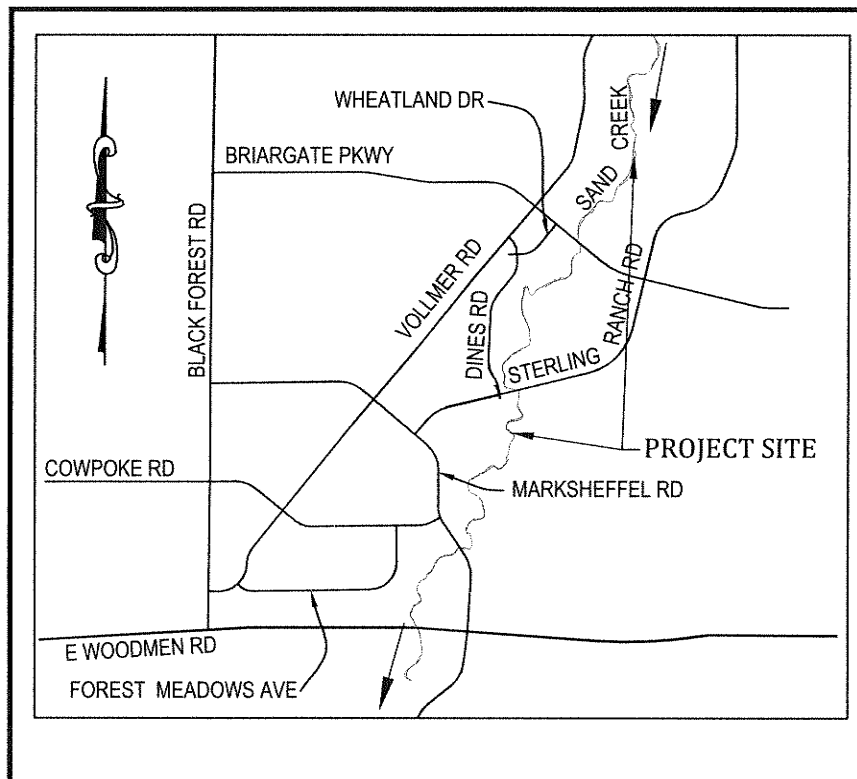


FIGURE 1  
VICINITY MAP  
SCALE: N.T.S.

# National Flood Hazard Layer FIRMette



38°57'32.20"N



## Legend

SEE FIS REPORT FOR DETAILED LEGEND AND INDEX MAP FOR FIRM PANEL LAYOUT

**SPECIAL FLOOD HAZARD AREAS**

- Without Base Flood Elevation (BFE) Zone A, A99
- With BFE or Depth Zone AE, AO, AH, VE, AR
- Regulatory Floodway

**OTHER AREAS OF FLOOD HAZARD**

- 0.2% Annual Chance Flood Hazard, Area of 1% annual chance flood with average depth less than one foot or with drainage areas of less than one square mile Zone A
- Future Conditions 1% Annual Chance Flood Hazard Zone X
- Area with Reduced Flood Risk due to Levee. See Notes. Zone X
- Area with Flood Risk due to Levee Zone B

**OTHER AREAS**

- Area of Minimal Flood Hazard Zone X
- Effective LOMRS
- Area of Undetermined Flood Hazard Zone

**GENERAL STRUCTURES**

- Channel, Culvert, or Storm Sewer
- Levee, Dike, or Floodwall

**OTHER FEATURES**

- Cross Sections with 1% Annual Chance Water Surface Elevation
- Coastal Transect
- Base Flood Elevation Line (BFE)
- Limit of Study
- Jurisdiction Boundary
- Coastal Transect Baseline
- Profile Baseline
- Hydrographic Feature

**MAP PANELS**

- Digital Data Available
- No Digital Data Available
- Unmapped

The pin displayed on the map is an approximate point selected by the user and does not represent an authoritative property location.

This map complies with FEMA's standards for the use of digital flood maps if it is not void as described below. The basemap shown complies with FEMA's basemap accuracy standards.

The flood hazard information is derived directly from the authoritative NFHL web services provided by FEMA. This map was exported on 5/5/2020 at 1:41:59 PM and does not reflect changes or amendments subsequent to this date and time. The NFHL and effective information may change or become superseded by new data over time.

This map image is void if the one or more of the following map elements do not appear: basemap imagery, flood zone labels, legend, scale bar, map creation date, community identifiers, FIRM panel number, and FIRM effective date. Map images for unmapped and unmodernized areas cannot be used for regulatory purposes.

USGS The National Map: Orthoimagery, Data refreshed April, 2019.

0 250 500 1,000 1,500 2,000 Feet  
1:6,000





# National Flood Hazard Layer FIRMette



8°58'18.40"N



104°39'46.83"W

USGS The National Map: Orthoimagery. Data refreshed April, 2019. 38°57'50.43"N

## Legend

SEE FIS REPORT FOR DETAILED LEGEND AND INDEX MAP FOR FIRM PANEL LAYOUT

<b>SPECIAL FLOOD HAZARD AREAS</b>	Without Base Flood Elevation (BFE) Zone A, V, A99	With BFE or Depth Zone AE, AO, AH, VE, AR	Regulatory Floodway
<b>OTHER AREAS OF FLOOD HAZARD</b>	0.2% Annual Chance Flood Hazard, Area of 1% annual chance flood with average depth less than one foot or with drainage areas of less than one square mile	Future Conditions 1% Annual Chance Flood Hazard	Area with Reduced Flood Risk due to Levee. See Notes.
<b>OTHER AREAS</b>	Area of Minimal Flood Hazard	Effective LOMRS	Area of Undetermined Flood Hazard
<b>GENERAL STRUCTURES</b>	Channel, Culvert, or Storm Sewer	Levee, Dike, or Floodwall	
<b>OTHER FEATURES</b>	Cross Sections with 1% Annual Chance Water Surface Elevation	Coastal Transect	Base Flood Elevation Line (BFE)
<b>MAP PANELS</b>	Limit of Study	Jurisdiction Boundary	Coastal Transect Baseline
	Profile Baseline	Hydrographic Feature	
	Digital Data Available	No Digital Data Available	Unmapped

The pin displayed on the map is an approximate point selected by the user and does not represent an authoritative property location.

This map complies with FEMA's standards for the use of digital flood maps if it is not void as described below. The basemap shown complies with FEMA's basemap accuracy standards.

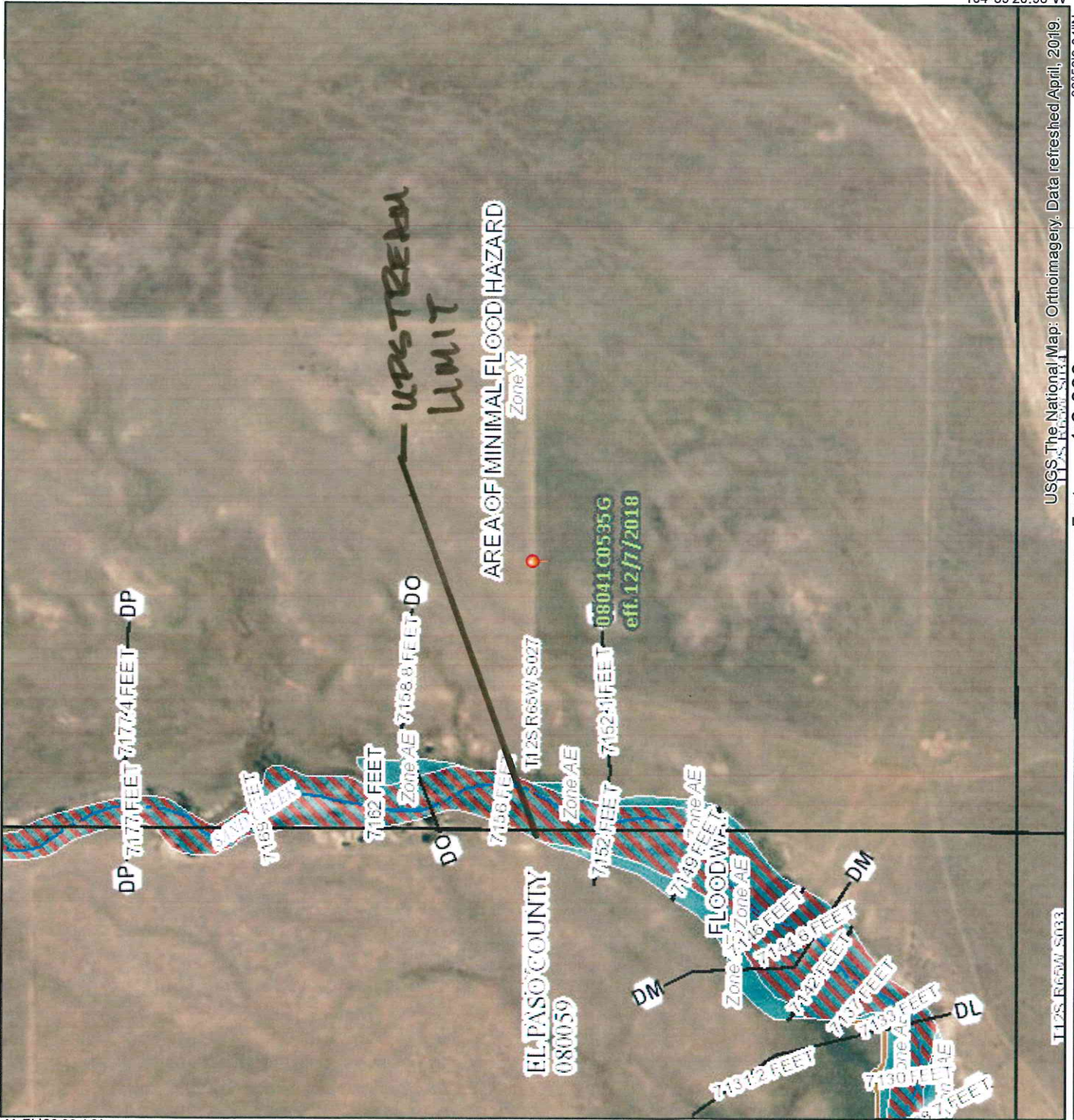
The flood hazard information is derived directly from the authoritative NFHL web services provided by FEMA. This map was exported on 5/5/2020 at 1:34:46 PM and does not reflect changes or amendments subsequent to this date and time. The NFHL and effective information may change or become superseded by new data over time.

This map image is void if the one or more of the following map elements do not appear: basemap imagery, flood zone labels, legend, scale bar, map creation date, community identifiers, FIRM panel number, and FIRM effective date. Map images for unmapped and unmodernized areas cannot be used for regulatory purposes.

# National Flood Hazard Layer FIRMette



38°58'37.02"N



USGS The National Map: Orthoimagery. Data refreshed April, 2019.

38°58'39.04"N

1:6,000

Feet

2,000

1,500

1,000

500

0

## Legend

SEE FIS REPORT FOR DETAILED LEGEND AND INDEX MAP FOR FIRM PANEL LAYOUT

- SPECIAL FLOOD HAZARD AREAS**
  - Without Base Flood Elevation (BFE) Zone A, V, A99
  - With BFE or Depth Zone AE, AO, AH, VE, AR
  - Regulatory Floodway
- OTHER AREAS OF FLOOD HAZARD**
  - 0.2% Annual Chance Flood Hazard, Area of 1% annual chance flood with average depth less than one foot or with drainage areas of less than one square mile Zone X
  - Future Conditions 1% Annual Chance Flood Hazard Zone X
  - Area with Reduced Flood Risk due to Levee. See Notes. Zone X
  - Area with Flood Risk due to Levee Zone D
- OTHER AREAS**
  - Area of Minimal Flood Hazard Zone X
  - Effective LOMRS
  - Area of Undetermined Flood Hazard Zone X
- GENERAL STRUCTURES**
  - Channel, Culvert, or Storm Sewer
  - Levee, Dike, or Floodwall
- OTHER FEATURES**
  - Cross Sections with 1% Annual Chance Water Surface Elevation
    - 20.2
    - 17.5
  - Coastal Transect
  - Base Flood Elevation Line (BFE)
  - Limit of Study
  - Jurisdiction Boundary
  - Coastal Transect Baseline
  - Profile Baseline
  - Hydrographic Feature
- MAP PANELS**
  - Digital Data Available
  - No Digital Data Available
  - Unmapped



The pin displayed on the map is an approximate point selected by the user and does not represent an authoritative property location.

This map complies with FEMA's standards for the use of digital flood maps if it is not void as described below. The basemap shown complies with FEMA's basemap accuracy standards

The flood hazard information is derived directly from the authoritative NFHL web services provided by FEMA. This map was exported on 5/5/2020 at 1:28:11 PM and does not reflect changes or amendments subsequent to this date and time. The NFHL and effective information may change or become superseded by new data over time.

This map image is void if the one or more of the following map elements do not appear: basemap imagery, flood zone labels, legend, scale bar, map creation date, community identifiers, FIRM panel number, and FIRM effective date. Map images for unmapped and unmodernized areas cannot be used for regulatory purposes.

**\*\*Permittee Provided: Application for CDPS Stormwater Discharge Associated  
with Construction Activities Permit**

**APPENDIX C**

**\*\*Permittee Provided: CDPS Stormwater Discharge Associated with Construction Activities Permit**

## **APPENDIX D**

**Example – Exhibit A: Erosion and Sediment Control Field Inspection Report**

**Example – Exhibit B: Corrective Action Report**

**Exhibit A  
Erosion and Sediment Control Field Inspection Report**

Project Name:	Date of Inspection:
Project Address/Location:	Time of Inspection:
Contractor:	Name of Inspector:

Reason for Inspection:

BMP for Erosion Control	Practice Used		Maintenance or Sediment Removal Required		Explain Required Action
	Yes	No	Yes	No	
Check Dams					
Concrete Washout Area					
Construction Fence					
Diversion Ditch/Swales/Berms					
Erosion Control Blankets					
Inlet Protection					
Reinforced Rock Berms					
Reinforced Rock Berms - Culvert					
Sediment Basin					
Sediment Control Log					
Seed & Mulch (Temp. or Permanent)					
Silt Fence					
Sodding					
Stabilized Staging Area					
Straw Bale Barrier					
Surface Roughening					
Vehicle Tracking Control Pad					

Contractor's Comments:

Inspector's Comments:

I certify this Erosion and Sediment Control Field Inspection Report is complete and accurate, to my knowledge and belief.

Inspector Signature and Date:	Reviewed By:
-------------------------------	--------------

**Exhibit B**  
**Corrective Action Report**

Site: \_\_\_\_\_

Inspector: \_\_\_\_\_

Date: \_\_\_\_\_

.....  
Erosion Control Measure/Facility Requiring Attention:

\_\_\_\_\_  
\_\_\_\_\_  
\_\_\_\_\_

Recommended Corrective Action:

\_\_\_\_\_  
\_\_\_\_\_  
\_\_\_\_\_

Scheduled Completion Date: \_\_\_\_\_ Date Completed: \_\_\_\_\_

.....

Erosion Control Measure/Facility Requiring Attention:

\_\_\_\_\_  
\_\_\_\_\_  
\_\_\_\_\_

Recommended Corrective Action:

\_\_\_\_\_  
\_\_\_\_\_  
\_\_\_\_\_

Scheduled Completion Date: \_\_\_\_\_ Date Completed: \_\_\_\_\_

.....

Erosion Control Measure/Facility Requiring Attention:

\_\_\_\_\_  
\_\_\_\_\_  
\_\_\_\_\_

Recommended Corrective Action:

\_\_\_\_\_  
\_\_\_\_\_  
\_\_\_\_\_

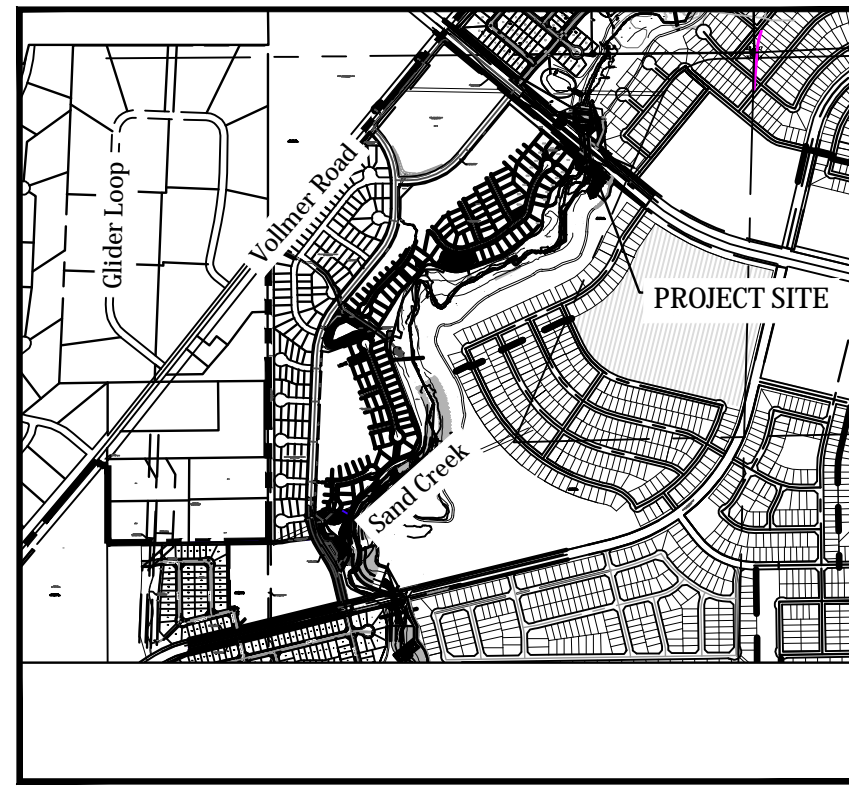
Scheduled Completion Date: \_\_\_\_\_ Date Completed: \_\_\_\_\_

**APPENDIX E**  
**SWMP Plans**



# STERLING RANCH DEVELOPMENT BRIARGATE BOULEVARD BRIDGE GRADING & EROSION CONTROL PLANS

Kiowa Project No. 19032  
6/29/2022



VICINITY MAP  
SCALE: N.T.S.



## GENERAL NOTES

- Profile design lines are based on centerline, as shown, unless otherwise noted.
- All new construction to conform to the specifications of El Paso County Department of Public Works. Any asphalt removed is to be replaced to meet the specifications of the El Paso County Public Works Department.
- For pavement design, curb and gutter, and sidewalks see individual plan and profile sheets. Pavement design to be based on Resistance Value 'R' derived from Hveem tests and are to be approved by the Engineering Division of the El Paso County Planning and Community Development prior to work above subgrade.
- At intersections, all curb returns will have 20-foot radius unless otherwise noted.
- All existing utilities have been shown according to the best available information. The contractor is responsible for field location and verification prior to beginning work. If it appears that there could be a conflict with any utilities, whether indicated on the plans or not, the contractor is to notify the engineer and owner immediately. The contractor is responsible for the protection and repair (if necessary) of all utilities.
- A Pre-Construction meeting shall be held with the El Paso County Planning and Community Development prior to any construction.
- Approved plans, Engineering Criteria Manual, etc. is required to be on-site at all times during construction.
- All necessary permits, such as SWMP, ESQCP, Fugitive Dust, Access, C.O.E. 404, etc. shall be obtained prior to construction.
- All handicap ramps to be per El Paso County Standard SD\_2-40.
- The contractor shall coordinate locations and layout with the El Paso County Planning and Community Development on the placement of any pedestrian ramps prior to construction of the curb.
- Where appropriate, neatly saw cut all existing concrete and asphalt. Repair/replace all disturbed existing items with like materials and thicknesses.
- All disturbed areas shall be revegetated with native grasses within 21 days of excavation per Erosion Control Plan.
- The prepared Erosion/Sediment Control Plan is to be considered a part of these plans and its requirements adhered to during the construction of this project.
- All storm and sanitary sewer pipe lengths and slopes are figured from center of manhole or bend. Pipe lengths are given as a horizontal length.
- All storm sewer bedding to be per CDoT Standards.
- All storm sewer pipe shall be Class III B Wall unless otherwise shown on the storm sewer plan and profile sheets.
- All vyes and bends used in construction of storm sewer facilities shall be factory fabricated, unless approved by the El Paso County Planning and Community Development.
- Construction and materials used in all storm and sanitary sewer manholes shall be per specifications. Storm sewer radial deflections to be grouted or installed per manufacturer's recommendations.
- Storm sewer manholes sizes as follows unless otherwise shown:
  - 18" thru 36" use 48" I.D. manhole
  - 42" thru 48" use 60" I.D. manhole
  - 54" thru 60" use 72" I.D. manhole
 NOTE: Manhole sizes tabulated here shall be increased, if necessary, to accommodate incoming laterals.
- All horizontal stationing is based on the 'Face of Curb', unless otherwise shown.
- All vertical design and top of curb are based on the design point shown in the typical cross section.
- The curb line design point is located at the intersection of the face and top of curb for the Type III Standard 6-inch vertical curb. See typical street section for design point locations.
- Vertical curb to be used between curb returns (CR) and at curb inlets. Transitions from ramp to vertical curb shall be 10-feet unless otherwise approved by the El Paso County Department of Public Works. All other curb & gutter to be ramp curb & gutter.
- Cross pans to be per El Paso County Standard Detail SD\_2-26.
- Curb returns shall be straight graded from CR to CR unless otherwise noted.
- Inlets are Type 'R' inlets (CDOT STD M-604-12) unless otherwise noted.

**BENCHMARK:**  
THE TOP OF AN ALUMINUM SURVEYORS CAP, STAMPED "8953"  
NORTHING = 411416.273  
EASTING = 235167.071  
ELEVATION = 7023.42

THE TOP OF RED PLASTIC SURVEYORS CAP, ILLEGIBLE  
NORTHING = 410095.404  
EASTING = 235052.131  
ELEVATION = 7000.40

THE TOP OF RED PLASTIC SURVEYORS CAP, STAMPED "38141"  
NORTHING = 411399.962  
EASTING = 233849.817  
ELEVATION = 7030.82

**BASIS OF BEARING**  
THE SOUTH LINE OF THE SOUTHWEST QUARTER (SW $\frac{1}{4}$ ) OF SECTION 34, TOWNSHIP 12 SOUTH, RANGE 65 WEST OF THE 6TH P.M. AS MONUMENTED AT THE SOUTHWEST CORNER OF SAID SOUTHWEST QUARTER (SW $\frac{1}{4}$ ) BY A 2-1/2" ALUMINUM CAP STAMPED "LS 11624" AND AT THE SOUTHEAST CORNER OF SAID SOUTHWEST QUARTER (SW $\frac{1}{4}$ ) BY A 2-1/2" ALUMINUM CAP STAMPED "LS 11624", SAID LINE BEARS N 89°14'14" E, A DISTANCE OF 2,722.56 FEET.



## EL PASO COUNTY STANDARD NOTES

- All drainage and roadway construction shall meet the standards and specifications of the City of Colorado Springs/El Paso County Drainage Criteria Manual, Volumes 1 and 2, and the El Paso County Engineering Criteria Manual.
- Contractor shall be responsible for the notification and field notification of all existing utilities, whether shown on the plans or not, before beginning construction. Location of existing utilities shall be verified by the contractor prior to construction. Call 811 to contact the Utility Notification Center of Colorado (UNCC).
- Contractor shall keep a copy of these approved plans, the Grading and Erosion Control Plan, the Stormwater Management Plan (SWMP), the soils and geotechnical report, and the appropriate design and construction standards and specifications at the job site at all times, including the following:
  - El Paso County Engineering Criteria Manual (ECM)
  - City of Colorado Springs/El Paso County Drainage Criteria Manual, Volumes 1 and 2
  - Colorado Department of Transportation (CDOT) Standard Specifications for Road and Bridge Construction
  - CDOT M & S Standards
- Notwithstanding anything depicted in these plans in words or graphic representation, all design and construction related to roads, storm drainage and erosion control shall conform to the standards and requirements of the most recent version of the relevant adopted El Paso County standards, including the Land Development Code, the Engineering Criteria Manual, the Drainage Criteria Manual, and the Drainage Criteria Manual Volume 2. Any deviations from regulations and standards must be requested, and approved, in writing. Any modifications necessary to meet criteria after-the-fact will be entirely the developer's responsibility to rectify.
- It is the design engineer's responsibility to accurately show existing conditions, both onsite and offsite, on the construction plans. Any modifications necessary due to conflicts, omissions, or changed conditions will be entirely the developer's responsibility to rectify.
- Contractor shall schedule a pre-construction meeting with El Paso County Planning and Community Development (PCD) - Inspections, prior to starting construction.
- It is the contractor's responsibility to understand the requirements of all jurisdictional agencies and to obtain all required permits, including but not limited to El Paso County Erosion and Stormwater Quality Control Permit (ESQCP), Regional Building Floodplain Development Permit, U.S. Army Corps of Engineers-issued 401 and/or 404 permits, and county and state fugitive dust permits.
- Contractor shall not deviate from the plans without first obtaining written approval from the design engineer and PCD. Contractor shall notify the design engineer immediately upon discovery of any errors or inconsistencies.
- All storm drain pipe shall be Class III RCP unless otherwise noted and approved by PCD.
- Contractor shall coordinate geotechnical testing per ECM standards. Pavement design shall be approved by El Paso County PCD prior to placement of curb and gutter and pavement.
- All construction traffic must enter/exit the site at approved construction access points.
- Sight visibility triangles as identified in the plans shall be provided at all intersections. Obstructions greater than 18 inches above flowline are not allowed within sight triangles.
- Signing and striping shall comply with El Paso County Department of Public Works and MUTCD criteria. [If applicable, additional signing and striping notes will be provided.]
- Contractor shall obtain any permits required by El Paso County Department of Public Works, including Work Within the Right-of-Way and Special Transport permits.
- The limits of construction shall remain within the property line unless otherwise noted. The owner/developer shall obtain written permission and easements, where required, from adjoining property owner(s) prior to any off-site disturbance, grading, or construction.

## STATEMENTS

### Design Engineer's Statement:

This grading and erosion control plan was prepared under my direction and supervision and is correct to the best of my knowledge and belief. Said plan has been prepared according to the criteria established by the County for grading and erosion control plans. I accept responsibility for any liability caused by any negligent acts, error or omissions on my part in preparing this plan.

\_\_\_\_\_  
Todd Cartwright, P.E. #33365 Date \_\_\_\_\_  
For and on behalf of Kiowa Engineering Corp.

### Owner/Developer's Statement:

I, the owner/developer have read and will comply with the requirements of the Grading and Erosion Control Plan.

\_\_\_\_\_  
James Morley Date \_\_\_\_\_  
Sterling Ranch Metropolitan District

### El Paso County:

County plan review is provided only for general conformance with County Design Criteria. The County is not responsible for the accuracy and adequacy of the design, dimensions, and/or elevations which shall be confirmed at the job site. The County through the approval of this document assumes no responsibility for completeness and/or accuracy of this document.

Filed in accordance with the requirements of the El Paso County Land Development Code, Drainage Criteria Manual Volumes 1 and 2, and Engineering Criteria Manual as amended.

In accordance with ECM Section 1.12, these construction documents will be valid for construction for a period of 2 years from the date signed by the El Paso County Engineer. If construction has not started within those 2 years the plans will need to be resubmitted for approval, including payment of review fees at the Planning and Community Development Directors discretion.

\_\_\_\_\_  
Jennifer Irvine, P.E. Date \_\_\_\_\_  
County Engineer / ECM Administrator

## INDEX OF SHEETS

GECO	GRADING & EROSION CONTROL COVER SHEET
GEC1	GRADING & EROSION CONTROL PLANS
GEC2	GEC NOTES AND SPECIFICATIONS
GEC3	GEC NOTES AND SPECIFICATIONS
GEC4	GEC NOTES AND SPECIFICATIONS

## ABBREVIATIONS

ASSY = ASSEMBLY	MIN. = MINIMUM
BNDY = BOUNDARY	NTS = NOT TO SCALE
BOP = BOTTOM OF PIPE	OD = OUTSIDE DIAMETER
CL = CENTERLINE	PP = POINT OF HORIZONTAL CURVATURE
CRA = CONCRETE REVERSE ANCHOR	PP = PROPOSED
CTRB = CONCRETE THRUST BLOCK	PT = POINT OF HORIZONTAL TANGENCY
CR = POINT OF CURB RETURN	PVC = POLY VINYL CHLORIDE PIPE
DIP = DUCTILE IRON PIPE	PVC = POINT OF VERTICAL CURVATURE
EL = ELEVATION	PVI = POINT OF VERTICAL INTERSECTION
ESMT = EASEMENT	PVT = POINT OF VERTICAL TANGENCY
EX. = EXISTING	RCB = REINFORCED CONCRETE BOX
FC = FACE OF CURB	RCP = REINFORCED CONCRETE PIPE
FES = FLARED END SECTION	ROW = RIGHT OF WAY
FLG = FLANGE	RT = RIGHT
FL = FLOWLINE	SHT = SHEET
GB = GRADE BREAK	SS = SANITARY SEWER
HP = HIGH POINT	STA = STATION
HORIZ = HORIZONTAL	STD = STANDARD
HYD = HYDRANT	TA = TOP OF ASPHALT
I.D. = INSIDE DIAMETER	TC = TOP OF CURB
LT = LEFT	TOP = TOP OF PIPE
LF = LINEAR FEET	TOR = TOP OF ROCK
LP = LOW POINT	TYP = TYPICAL
MAX = MAXIMUM	VC = VERTICAL CURVE
MH = MANHOLE	VERT = VERTICAL



STERLING RANCH DEVELOPMENT  
 BRIARGATE BOULEVARD BRIDGE GRADING & EROSION CONTROL PLANS  
 COVER SHEET  
 EL PASO COUNTY, COLORADO

Project No.: 19032

Date: 6/29/2022

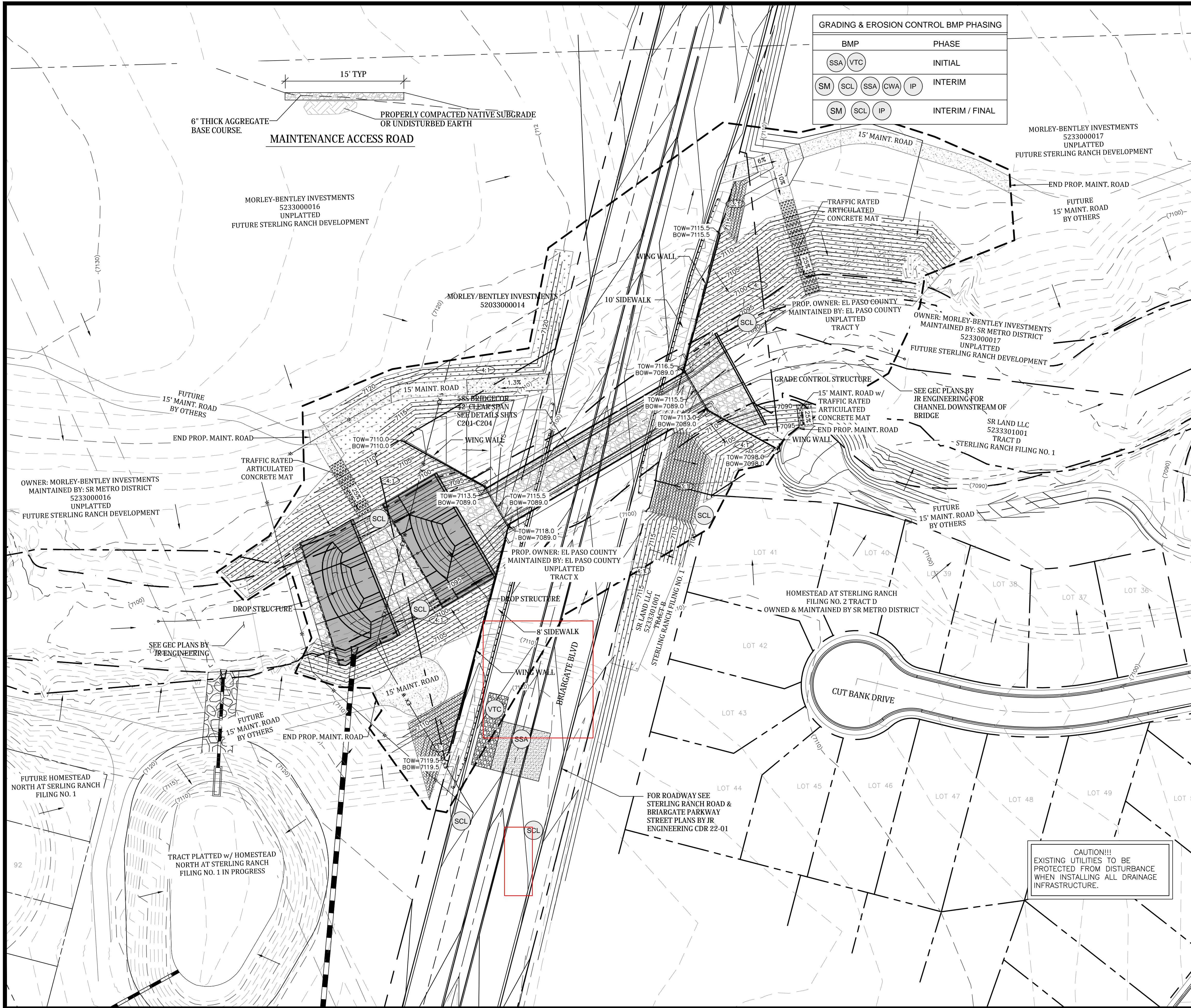
Design: TAC

Drawn: PAV

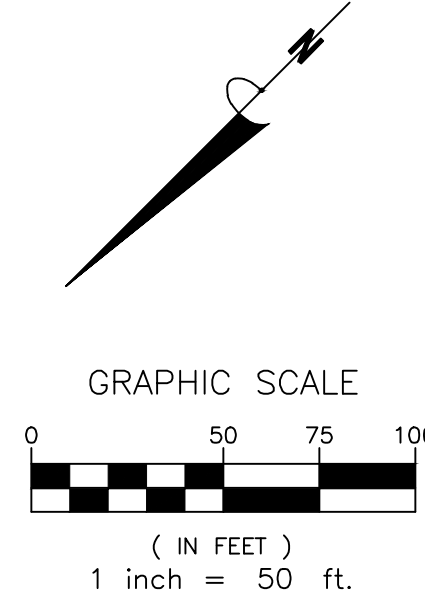
Check:

Revisions:

# GECO



GRADING & EROSION CONTROL BMP PHASING	
BMP	PHASE
(SSA) (VTC)	INITIAL
(SM) (SCL) (SSA) (CWA) (IP)	INTERIM
(SM) (SCL) (IP)	INTERIM / FINAL



- LEGEND**
- (VTC) VEHICLE TRACKING CONTROL
  - (IP) INLET PROTECTION
  - (CWA) CONCRETE WASHOUT AREA
  - (SCL) SEDIMENT CONTROL LOGS
  - (SSA) STABILIZED STAGING AREA
  - (SM) SEED AND MULCH
  - (TRM) TURF REINFORCEMENT MAT
  - (ECB) EROSION CONTROL BLANKET
  - (TOR) TOP OF SOIL/RIPRAP
  - LIMITS OF GRADING & CONSTRUCTION
  - - - PROPOSED FEMA 100 YEAR FLOODPLAIN
  - - - EXISTING FEMA 100 YEAR FLOODPLAIN
  - PROFILE CENTERLINE
  - EX. & PROP. PROPERTY LINES
- BANK LINING LEGEND**
- [Pattern] GROUDED BOULDER 36"-48"
  - [Pattern] TYPE M SOIL RIPRAP D50=12"
  - [Pattern] TURF REINFORCED MAT
  - [Pattern] WETLAND MITIGATION VEGETATION
  - FLOW DIRECTION

- NOTES:**
- CONTRACTOR TO IDENTIFY MATERIAL AND SOIL STOCKPILES AREA ON THE SWMP PRIOR TO THE COMMENCEMENT OF MOBILIZATION AND PROVIDE PERIMETER CONTROL CONSTRUCTION FENCE. CONTRACTOR SHALL IDENTIFY STABILIZED STAGING AREA ON THE PLAN, THE LOCATION OF VEHICLE AND EQUIPMENT STORAGE AND MAINTENANCE, STORAGE AREAS FOR FERTILIZERS AND PESTICIDES, ON SITE WASTE MANAGEMENT MEASURES SUCH AS PORTOLETS, TRASH ROLL-OFF AND CONCRETE TRUCK AND EQUIPMENT WASHING AREA PRIOR TO THE COMMENCEMENT OF LAND DISTURBING ACTIVITIES.
  - CONTRACTOR TO IDENTIFY STABILIZED STAGING AREA PRIOR TO THE COMMENCEMENT OF MOBILIZATION.
  - CONSTRUCTION FENCING SHALL BE PROVIDED AT LIMITS OF GRADING/CONSTRUCTION AS PART OF THE INSTALLATION OF THE INITIAL BMPs.
  - CONTRACTOR SHALL PROVIDE CONSTRUCTION FENCING AROUND AREAS TO REMAIN UNDISTURBED BUT WITHIN LIMITS OF GRADING.
  - VEHICLE TRACKING BMPs FOR THIS PROJECT WILL BE LOCATED OFFSITE FROM THE WORK SHOWN ON THESE PLANS. VEHICLE TRACKING OFFSITE FROM THE PROJECT SHALL BE MAINTAINED CONTINUOUSLY THROUGHOUT THE PERIOD OF CONSTRUCTION.
  - THERE WILL BE NO DEDICATED ASPHALT OR CONCRETE BATCH PLANS REQUIRED FOR THIS PROJECT.
  - EXISTING VEGETATION IS MAINLY GRASSES AND HERBS WITH SMALLER AMOUNTS OF SHRUBS. EXISTING VEGETATION IS ESTIMATED AT 80%. BUT CONTRACTOR SHALL FIELD VERIFY PRIOR TO CONSTRUCTION.
  - CONTRACTOR TO ESTABLISH CUT/FILL AREAS IN ACCORDANCE WITH PROPOSED GRADING IN PLANS.

**CAUTION!!!**  
EXISTING UTILITIES TO BE PROTECTED FROM DISTURBANCE WHEN INSTALLING ALL DRAINAGE INFRASTRUCTURE.

Celebrating 30 years  
**Kiowa**  
Engineering Corporation

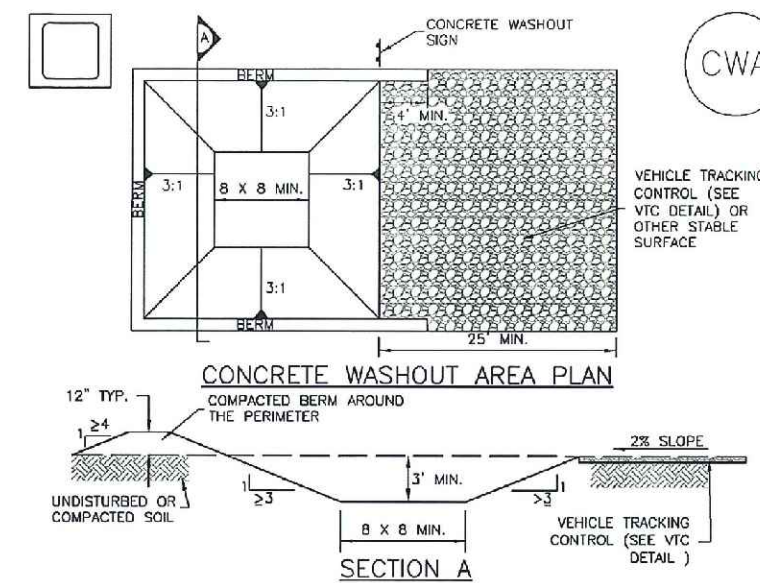
1604 South 21st Street  
Colorado Springs, Colorado 80904  
(719) 630-7342

**STERLING RANCH DEVELOPMENT  
BRIARGATE BOULEVARD BRIDGE GRADING & EROSION CONTROL PLANS  
GRADING AND EROSION CONTROL PLAN  
EL PASO COUNTY, COLORADO**

Project No.:	19032
Date:	6/29/2022
Design:	TAC
Drawn:	PAV
Check:	
Revisions:	

GEC1

Concrete Washout Area (CWA) MM-1



CWA-1. CONCRETE WASHOUT AREA

- CWA INSTALLATION NOTES**
- SEE PLAN VIEW FOR CWA INSTALLATION LOCATION.
  - DO NOT LOCATE AN UNLINED CWA WITHIN 400' OF ANY NATURAL DRAINAGE PATHWAY OR WATERBODY. DO NOT LOCATE WITHIN 1,000' OF ANY WELLS OR DRINKING WATER SOURCES. IF SITE CONSTRAINTS MAKE THIS IMPOSSIBLE, OR IF HIGHLY PERMEABLE SOILS EXIST ON SITE, THE CWA MUST BE INSTALLED WITH AN IMPERMEABLE LINER (1/8 IN. MIN. THICKNESS) OR SURFACE STORAGE ALTERNATIVES (SEMI-PERMEABLE CONCRETE WASHOUT FENCES OR A LINED ABOVE GROUND STORAGE) ARE SHOULD BE USED.
  - THE CWA SHALL BE INSTALLED PRIOR TO CONCRETE PLACEMENT ON SITE.
  - CWA SHALL INCLUDE A FLAT SUBSURFACE PIT (1/4" IS AT LEAST 18" BY 8" SLOPES LEADING OUT OF THE SUBSURFACE PIT SHALL BE 3:1 OR FLATTER. THE PIT SHALL BE AT LEAST 3' DEEP.
  - BERM SURROUNDING SIDES AND BACK OF THE CWA SHALL HAVE MINIMUM HEIGHT OF 1'.
  - VEHICLE TRACKING PAD SHALL BE SLOPED 2% TOWARDS THE CWA.
  - SOILS SHALL BE PLACED AT THE CONSTRUCTION DRIVING AT THE CWA AND ELSEWHERE AS NECESSARY TO CLEARLY INDICATE THE LOCATION OF THE CWA TO OPERATORS OF CONCRETE TRUCKS AND PUMPS ETC.
  - USE EXCAVATED MATERIAL FOR PERIMETER BERM CONSTRUCTION.

November 2010 Urban Drainage and Flood Control District Urban Storm Drainage Criteria Manual Volume 3 CWA-3

MM-1 Concrete Washout Area (CWA)

- CWA MAINTENANCE NOTES**
- INSPECT BUMP EACH WORKDAY AND MAINTAIN THEM IN EFFECTIVE OPERATING CONDITION. MAINTENANCE OF BUMPS SHOULD BE PROACTIVE, NOT REACTIVE. INSPECT BUMPS AS SOON AS POSSIBLE (AND ALWAYS WITHIN 24 HOURS) FOLLOWING A STORM THAT CAUSES SURFACE EROSION, AND PERFORM NECESSARY MAINTENANCE.
  - FREQUENT OBSERVATIONS AND MAINTENANCE ARE NECESSARY TO MAINTAIN BUMPS IN EFFECTIVE OPERATING CONDITION. INSPECTIONS AND CORRECTIVE MEASURES SHOULD BE DOCUMENTED THOROUGHLY.
  - WHERE BUMPS HAVE FAILED, REPAIR OR REPLACEMENT SHOULD BE INITIATED UPON DISCOVERY OF THE FAILURE.
  - THE CWA SHALL BE REPAIRED, CLEANED, OR ENLARGED AS NECESSARY TO MAINTAIN CAPACITY FOR CONCRETE WASTE, CONCRETE MATERIALS, ACCUMULATED IN PIT. SHALL BE REMOVED ONCE THE MATERIALS HAVE REACHED A DEPTH OF 2".
  - CONCRETE WASHOUT WATER, WASTED PIECES OF CONCRETE AND ALL OTHER DEBRIS IN THE SUBSURFACE PIT SHALL BE TRANSPORTED FROM THE JOB SITE IN A WATER-TIGHT CONTAINER AND DISPOSED OF PROPERLY.
  - THE CWA SHALL REMAIN IN PLACE UNTIL ALL CONCRETE FOR THE PROJECT IS PLACED.
  - WHEN THE CWA IS REMOVED, COVER THE DISTURBED AREA WITH TOP SOIL, SEED AND MULCH OR OTHERWISE STABILIZED IN A MANNER APPROVED BY THE LOCAL JURISDICTION.
- (DETAIL ADAPTED FROM DENVER COUNTY, COLORADO AND THE CITY OF PAVIA, COLORADO. NOT APPLICABLE IN AUTODRAIN.)  
NOTE: MANY JURISDICTIONS HAVE BMP DETAILS THAT VARY FROM USDC'S STANDARD DETAILS. CONSULT WITH LOCAL JURISDICTIONS AS TO WHICH DETAIL SHOULD BE USED WHEN DIFFERENCES ARE NOTED.

CWA-4 Urban Drainage and Flood Control District Urban Storm Drainage Criteria Manual Volume 3 November 2010

PROJECT SPECIFIC GRADING AND EROSION CONTROL NOTES

- All earthwork required of this construction shall be completed in accordance with all applicable sections of the Project Specifications and Soil Investigation Report (Geotechnical Report).
- Rubbish including timber, concrete rubble, trees, brush, and asphalt shall not be backfilled adjacent to any of the structures or be in the placement of any unclassified fill. The Contractor shall be responsible for the removal and hauling of such materials to a suitable spoil area. Costs associated with the removal of such materials shall be paid for as documented in the Project Specifications.
- Excess excavation shall become the property of the Contractor and shall be disposed of at the Contractor's expense. The cost of haulage and spoiling of excess excavated materials shall be paid for as documented in the Project Specifications.
- Water shall be used as a dust palliative as required and shall be included in the cost for earthwork item(s). No separate payment will be made for dust control associated with the site construction.
- The road grades shall be cleared of vegetation and the topsoil stockpiled for later use.
- All grading shall be in conformance with the Geotechnical Report for the area.
- Placement of fill for roadway embankments shall be completed in conformance with the Geotechnical Report.
- Grading contours shown on this plan are to final grade.
- Compaction under filled areas, including roadway and detention basin embankments, shall be 95 percent of the maximum Standard Proctor Density (ASTM D698) at two (2) percent of optimum moisture content.
- No rubble or debris shall be placed in the backfill under any of the proposed buildings, streets, curb & gutter, sidewalk and drainage structures or within five (5) feet of a building footprint. Properly graded rubble may be used in some locations as specified and verified by the Geotechnical Engineer.
- Contractor is responsible for reviewing the site prior to bidding to verify site conditions.
- The Contractor is responsible for providing erosion control measures as approved by the El Paso County PCD Engineering Division and as may be required by the El Paso County Inspector.
- All slopes equal to or greater than 3:1 shall require anchored soil retention blanket (SRB), Geocorr 700 or equal.
- The Developer is responsible for maintaining erosion control measures until a mature stage of vegetation is established.
- All soils used for fill must be approved by a representative of the Geotechnical Engineer.
- All natural ground to receive fill must be properly scarified, watered and compacted prior to placing fill.
- The Contractor is solely responsible for the design, maintenance and operation of any required dewatering system. The Contractor shall perform such independent investigation as he deems necessary to satisfy himself as to the subsurface groundwater conditions and unstable soil conditions to be encountered throughout the construction. Contractor shall coordinate the dewatering system with El Paso County when associated with public facilities.
- No fill shall be placed, spread or rolled while it is frozen, thawing or during unfavorable weather conditions. When the work is interrupted by heavy rain, fill operations shall not be resumed until a representative of the Geotechnical Engineer indicates that the moisture content and density of the previously placed fill are as specified. Fill surfaces may be scarified and recompact after rainfall if necessary, to obtain proper moisture density relation.
- Additional erosion control structures and/or grading may be required at the time of construction.
- Sediment removal for erosion control facilities shall be performed continuously for proper function.
- Base mapping was provided by MS Civil Engineers The date of the last survey update was 2019.
- Proposed Construction Schedule:  
 Begin Construction: pending  
 End Construction: pending  
 Total Site Area = 2 Acres (est.)  
 Existing 100-year runoff coefficient = 0.25  
 Proposed 100-year runoff coefficient = 0.25  
 Existing Hydrologic Soil Groups: HSG A & B  
 Site is currently undeveloped and covered with native grasses on mild to moderate to steep slopes (1%-4%).
- Area to be disturbed = 4.8 Acres.  
 Existing 100-year runoff coefficient = 0.25  
 Proposed 100-year runoff coefficient = 0.25  
 Existing Hydrologic Soil Groups: HSG A & B  
 Site is currently undeveloped and covered with native grasses on mild to moderate to steep slopes (1%-4%).
- Site is located in the Sand Creek Drainage Basin.

CLASSIFICATION AND GRADATION OF RIPRAP			
Riprap Designation	% Smaller than Given Size by Weight	Intermediate Rock Dimension (inches)	d <sub>50</sub> * (inches)
Type VL	70-100	12	6**
	50-70	9	
	35-50	6	
Type L	70-100	15	9**
	50-70	12	
	35-50	9	
Type M	70-100	21	12**
	50-70	18	
	35-50	12	
	2-10	4	

\* d<sub>50</sub>=Mean Particle Size (Intermediate Dimension) by weight.  
 \*\* Mix VL, L AND M Riprap with 35% Topsoil (by Volume) and bury with 4-6 inches of Topsoil, all vibration compacted & revegetated.  
 (Table D-7, Classification and Gradation of Ordinary Riprap, UDFCD, Drainage Criteria Manual, Vol. 1)

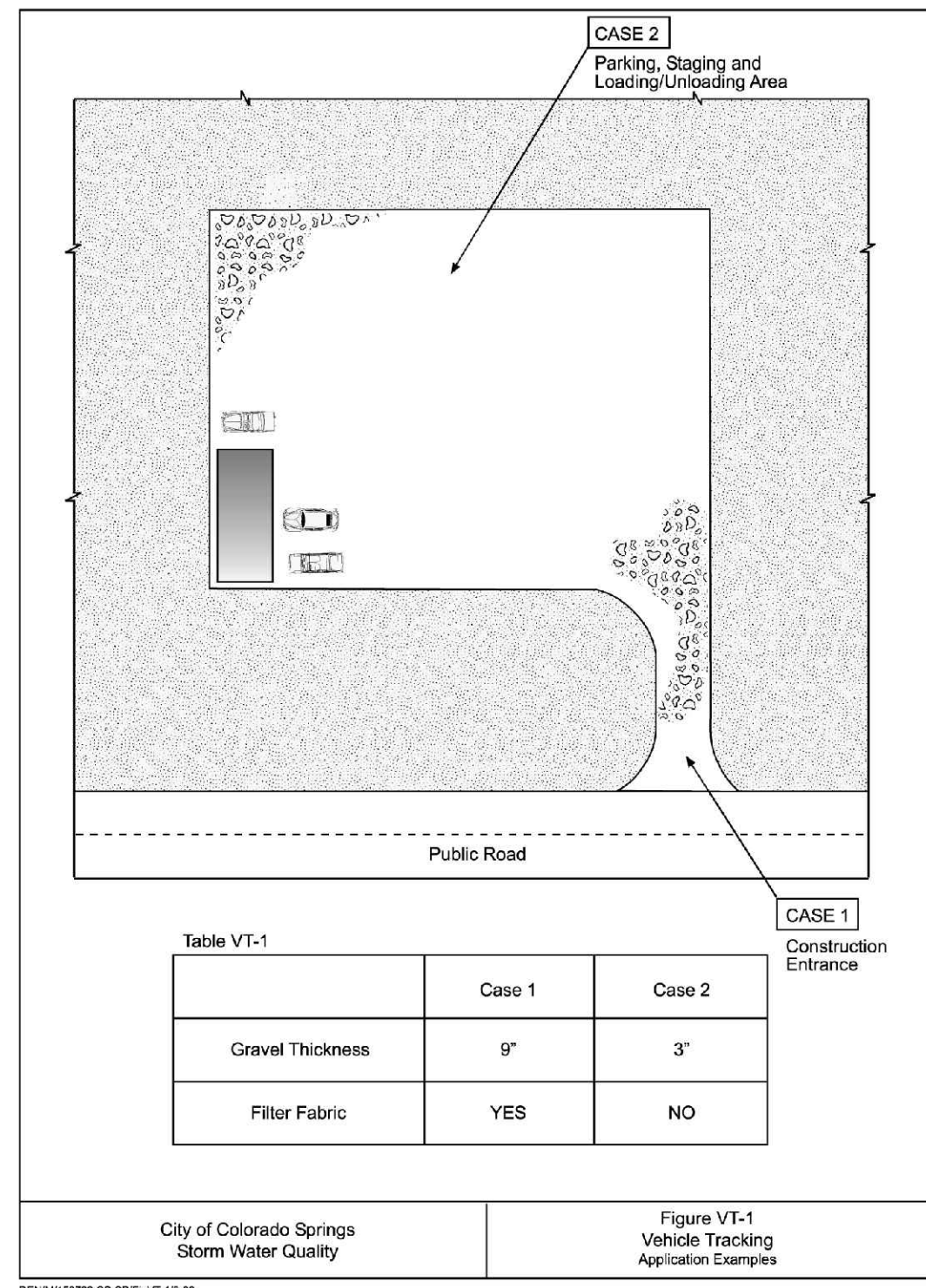
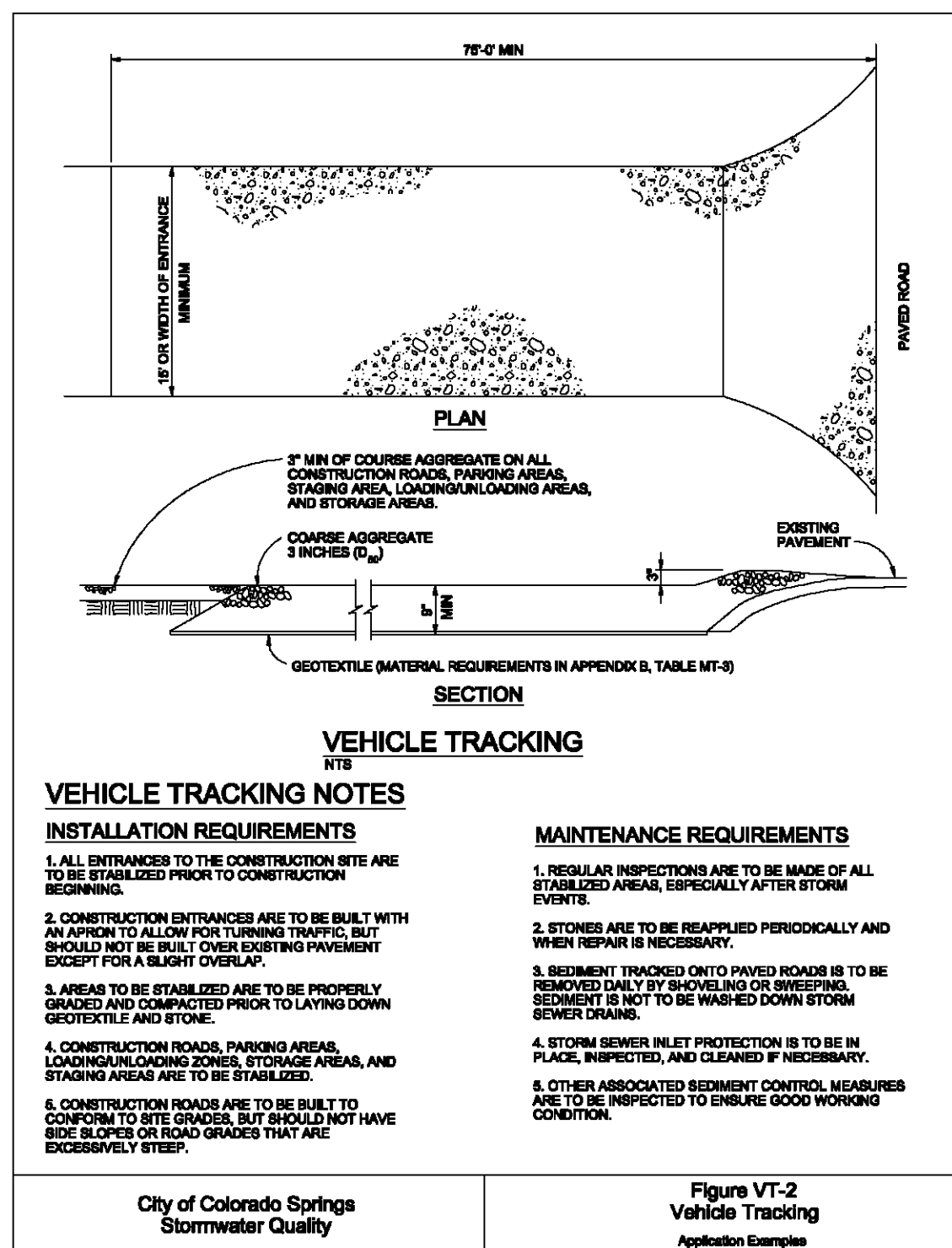


Table VT-1

	Case 1	Case 2
Gravel Thickness	9"	3"
Filter Fabric	YES	NO

City of Colorado Springs Storm Water Quality Figure VT-1 Vehicle Tracking Application Examples



- VEHICLE TRACKING NOTES**
- INSTALLATION REQUIREMENTS**
- ALL ENTRANCES TO THE CONSTRUCTION SITE ARE TO BE STABILIZED PRIOR TO CONSTRUCTION BEGINNING.
  - CONSTRUCTION ENTRANCES ARE TO BE BUILT WITH AN APPROX 1" ALLOW FOR TURNING TRAFFIC, BUT SHOULD NOT BE BUILT OVER EXISTING PAVEMENT EXCEPT FOR A SLIGHT OVERLAP.
  - AREAS TO BE STABILIZED ARE TO BE PROPERLY GRADED AND COMPACTED PRIOR TO LAYING DOWN GEOTEXTILE AND STONE.
  - CONSTRUCTION ROADS, PARKING AREAS, LOADING/UNLOADING ZONES, STAGING AREAS, AND STAGING AREAS ARE TO BE STABILIZED.
  - CONSTRUCTION ROADS ARE TO BE BUILT TO CONFORM TO SITE GRADERS, BUT SHOULD NOT HAVE SIDE SLOPES OR ROAD GRADES THAT ARE EXCESSIVELY STEEP.
- MAINTENANCE REQUIREMENTS**
- REGULAR INSPECTIONS ARE TO BE MADE OF ALL STABILIZED AREAS, ESPECIALLY AFTER STORM EVENTS.
  - STONES ARE TO BE REAPPLIED PERIODICALLY AND WHEN REPAIR IS NECESSARY.
  - SEDIMENT TRACKED ONTO PAVED ROADS IS TO BE REMOVED DAILY BY SHOVELING OR SWEEPING. SEDIMENT IS NOT TO BE WASHED DOWN STORM SEWER DRAINS.
  - STORM SEWER INLET PROTECTION IS TO BE IN PLACE, INSPECTED, AND CLEANED IF NECESSARY.
  - OTHER ASSOCIATED SEDIMENT CONTROL MEASURES ARE TO BE INSPECTED TO ENSURE GOOD WORKING CONDITION.

City of Colorado Springs Stormwater Quality Figure VT-2 Vehicle Tracking Application Examples

Project No.:	19032
Date:	6/29/2022
Design:	TAC
Drawn:	PAV
Check:	
Revisions:	

**SEEDING AND MULCHING INSTALLATION NOTES**

- SEE PLAN VIEW FOR:
  - AREA OF SEEDING AND MULCHING.
  - TYPE OF SEED MIX
- ALL BRANDS FURNISHED SHALL BE FREE FROM SUCH NOXIOUS SEEDS AS RUSSIAN OR CANADIAN THISTLE, COARSE FESCUE, EUROPEAN BINDWEED, JOHNSON GRASS, KNAF WEED AND LEAFY SPURGE.
- THE SEEDER SHALL FURNISH TO THE CONTRACTOR A SIGNED STATEMENT CERTIFYING THAT THE SEED FURNISHED IS FROM A LOT THAT HAS BEEN TESTED BY A RECOGNIZED LABORATORY. SEED WHICH HAS BECOME WET, MOLDY OR OTHERWISE DAMAGED IN TRANSIT OR IN STORAGE WILL NOT BE ACCEPTABLE. SEED TICKETS SHALL BE PROVIDED TO REGULATING AGENCY UPON REQUEST.
- DRILL SEEDING MIX SHALL CONFORM TO THE TABLE ON THE RIGHT.
- IF THE SEED AVAILABLE ON THE MARKET DOES NOT MEET THE MINIMUM PURITY AND GERMINATION PERCENTAGES SPECIFIED, THE SUBCONTRACTOR MUST COMPENSATE FOR A LESSER PERCENTAGE OF PURITY OR GERMINATION BY FURNISHING SUFFICIENT ADDITIONAL SEED TO EQUAL THE SPECIFIED PRODUCT. THE TAGS FROM THE SEED MIXES MUST BE SUPPLIED TO CONTRACTOR AND FORWARDED TO THE REGULATING AGENCY'S GESC INSPECTOR.
- THE FORMULA USED FOR DETERMINING THE QUANTITY OF PURE LIVE SEED (PLS) SHALL BE (POUNDS OF SEED) X (PURITY) X (GERMINATION) = POUNDS OF PURE LIVE SEED (PLS).
- PERMANENT SEED MIX SHALL BE USED UNLESS OTHERWISE APPROVED BY THE REGULATING AGENCY.
- ALL AREAS TO BE SEED AND MULCHED SHALL HAVE NATIVE TOPSOIL OR APPROVED SOIL AMENDMENTS SPREAD TO A DEPTH OF AT LEAST 6 INCHES (LOOSE DEPTH); HAIL ROADS AND OTHER COMPACTED AREAS SHALL BE LOOSENED TO A DEPTH OF 6 INCHES PRIOR TO SPREADING TOPSOIL.
- SOIL IS TO BE THOROUGHLY LOOSENED (TILLED) TO A DEPTH OF AT LEAST 6 INCHES PRIOR TO SEEDING. THE TOP 6 INCHES OF THE SEED BED SHALL BE FREE OF ROCKS GREATER THAN 4 INCHES AND SOIL CLODS GREATER THAN 2 INCHES. SEEDING OVER ANY COMPACTED AREAS THAT HAVEN'T BEEN THOROUGHLY LOOSENED SHALL BE REJECTED.
- SEED IS TO BE APPLIED USING A MECHANICAL DRILL TO A DEPTH OF 1/4 INCH. ROW SPACING SHALL BE NO MORE THAN 6 INCHES. MATERIAL USED FOR MULCH SHALL CONSIST OF LONG-STEMMED STRAW. AT LEAST 50 PERCENT OF THE MULCH, BY WEIGHT, SHALL BE 10 INCHES OR MORE IN LENGTH. MULCH SHALL BE APPLIED AND MECHANICALLY ANCHORED TO A DEPTH OF AT LEAST 2 INCHES. MULCH SHALL BE APPLIED AT A RATE OF 4000 LB. OF STRAW PER ACRE.
- IF THE PERMITTEE DEMONSTRATES TO THE REGULATING AGENCY THAT IT IS NOT POSSIBLE TO DRILL SEED, SEED IS TO BE UNIFORMLY BROADCAST AT TWO TIMES THE DRILLED RATE, THEN LIGHTLY HARROWED TO PROVIDE A SEED DEPTH OF APPROXIMATELY 1/4 INCH, THEN ROLLED TO COMPACT, THEN MULCHED AS SPECIFIED ABOVE.
- SEEDING AND MULCHING SHALL BE COMPLETED WITHIN 30 DAYS OF INITIAL EXPOSURE OR 7 DAYS AFTER GRADING IS SUBSTANTIALLY COMPLETE IN A GIVEN AREA (AS DEFINED BY THE REGULATING AGENCY). THIS MAY REQUIRE MULTIPLE MOBILIZATIONS FOR SEEDING AND MULCHING.
- MULCH SHALL BE APPLIED WITHIN 24 HOURS OF SEEDING.
- TACKIFIER SHOULD BE UTILIZED TO HELP WITH STRAW DISPLACEMENT.

**SEEDING AND MULCHING MAINTENANCE NOTES**

- SEEDED AND MULCHED AREAS SHALL BE INSPECTED FOR REQUIRED COVERAGE MONTHLY FOR A PERIOD OF TWO YEARS FOLLOWING INITIAL SEEDING. REPAIRS AND RE-SEEDING AND MULCHING SHALL BE UNDERTAKEN AFTER THE FIRST GROWING SEASON FOR ANY AREAS FAILING TO MEET THE REQUIRED COVERAGE.
- REQUIRED COVERAGE FOR STANDARD, OPEN SPACE AND LOW GROWTH SEED MIXES SHALL BE DEFINED AS FOLLOWS:
  - THREE (3) PLANTS PER SQUARE FOOT WITH A MINIMUM HEIGHT OF 3 INCHES. THE 3 PLANTS PER SQUARE FOOT SHALL BE OF THE VARIETY AND SPECIES FOUND IN THE DOUGLAS COUNTY-APPROVED MIX.
  - NO BARE AREAS LARGER THAN 4 SQUARE FEET (TWO-FOOT BY TWO-FOOT OR EQUIVALENT).
  - FREE OF ERODED AREAS.
  - FREE FROM INFESTATION OF NOXIOUS WEEDS IN ACCORDANCE WITH SECTION 6.4 OF THE GESC CRITERIA MANUAL.
- REQUIRED COVERAGE FOR TURF GRASS AREAS SHALL BE DEFINED AS FOLLOWS:
  - AT LEAST 80% VEGETATIVE COVER OF GRASS SPECIES PLANTED.
  - NO BARE AREAS LARGER THAN 4 SQUARE FEET (TWO-FOOT BY TWO-FOOT OR EQUIVALENT).
  - FREE OF ERODED AREAS.
  - FREE FROM INFESTATION OF NOXIOUS WEEDS IN ACCORDANCE WITH SECTION 6.4 OF THE GESC CRITERIA MANUAL.
- RILL AND GULLY EROSION SHALL BE FILLED WITH TOPSOIL PRIOR TO RESEEDING. THE RESEEDING METHOD SHALL BE APPROVED BY THE COUNTY.

SEED MIX	
AREAS DISTURBED BY THE EARTHWORK SHALL BE PERMANENTLY REVEGETATED WITH NATIVE GRASSES. NATIVE SEED MIX FOR THIS PROJECT SHALL BE AS FOLLOWS:	
SPECIES	pls/acre
WESTERN WHEAT GRASS	3.0
SIDEOATS GRAMA	2.0
SLENDER WHEAT GRASS	2.0
LITTLE BLUESTEM	2.0
BLUE GRAMA	0.5
SWITCH GRASS	2.0
JUNE GRASS	0.5
SAND DROPSEED	0.5
<i>Paspalum smithii</i>	12.5 lbs
<i>Bouteloua curtipendula</i>	3.0
<i>Elymus trachypachus</i>	2.0
<i>Schizachyrium scoparium</i>	2.0
<i>Bouteloua gracilis</i>	0.5
<i>Panicum virgatum</i>	2.0
<i>Koeleria cristata</i>	0.5
<i>Sporobolus cryptandrus</i>	0.5

SEEDING APPLICATION: DRILL SEED 1/4" TO 1/2" INTO TOPSOIL IN AREAS INACCESSIBLE TO A DRILL, HAND BROADCAST AT DOUBLE THE RATE AND RAKE 1/4" TO 1/2" INTO THE TOPSOIL.  
 MULCHING APPLICATION: 1-1/2 TONS NATIVE HAY PER ACRE, MECHANICALLY CRIMPED INTO THE TOPSOIL OR HYDROMULCH.

**SEEDING AND MULCH NTS**



**Standard Notes for El Paso County Grading and Erosion Control Plans**

Revised 7/02/19

- Stormwater discharges from construction sites shall not cause or threaten to cause pollution, contamination, or degradation of State Waters. All work and earth disturbance shall be done in a manner that minimizes pollution of any on-site or off-site waters, including wetlands.
- Notwithstanding anything depicted in these plans in words or graphic representation, all design and construction related to roads, storm drainage activities shall conform to the standards and requirements of the most recent version of the relevant adopted El Paso County standards, including the Land Development Code, the Engineering Criteria Manual, the Drainage Criteria Manual, and the Drainage Criteria Manual Volume 2. Any deviations from regulations and standards must be requested, and approved, in writing.
- A separate Stormwater Management Plan (SMWP) for this project shall be completed and an Erosion and Stormwater Quality Control Permit (ESQCP) issued prior to commencing construction. Management of the SMWP during construction is the responsibility of the designated Qualified Stormwater Manager or Certified Erosion Control Inspector. The SMWP shall be located on site at all times during construction and shall be kept up to date with work progress and changes in the field.
- Once the ESQCP is approved and a "Notice to Proceed" has been issued, the contractor may install the initial stage erosion and sediment control measures as indicated on the approved GEC. A Preconstruction Meeting between the contractor, engineer, and El Paso County will be held prior to any construction. It is the responsibility of the applicant to coordinate the meeting time and place with County staff.
- Control measures must be installed prior to commencement of activities that could contribute pollutants to stormwater. Control measures for all slopes, channels, ditches, and disturbed land areas shall be installed immediately upon completion of the disturbance.
- All temporary sediment and erosion control measures shall be maintained and remain in effective operating condition until permanent soil erosion control measures are implemented and final stabilization is established. All persons engaged in land disturbance activities shall assess the adequacy of control measures at the site and identify if changes to those control measures are needed to ensure the continued effective performance of the control measures. All changes to temporary sediment and erosion control measures must be incorporated into the Stormwater Management Plan.
- Temporary stabilization shall be implemented on disturbed areas and stockpiles where ground disturbing construction activity has permanently ceased or temporarily ceased for longer than 14 days.
- Final stabilization must be implemented at all applicable construction sites. Final stabilization is achieved when all ground disturbing activities are complete and all disturbed areas either have a uniform vegetative cover with individual plant density of 70 percent of pre-disturbance levels established or equivalent permanent alternative stabilization method is implemented. All temporary sediment and erosion control measures shall be removed upon final stabilization and before permit closure.
- All permanent stormwater management facilities shall be installed as designed in the approved plans. Any proposed changes that affect the design or function of permanent stormwater management structures must be approved by the ECM Administrator prior to implementation.
- Earth disturbances shall be conducted in such a manner so as to effectively minimize accelerated soil erosion and resulting sedimentation. All disturbances shall be designed, constructed, and completed so that the exposed area of any disturbed land shall be limited to the shortest practical period of time. Pre-existing vegetation shall be protected and maintained within 50 horizontal feet of a waters of the state unless shown to be infeasible and specifically requested and approved.
- Compaction of soil must be prevented in areas designated for infiltration control measures or where final stabilization will be achieved by vegetative cover. Areas designated for infiltration control measures shall also be protected from sedimentation during construction until final stabilization is achieved. If compaction prevention is not feasible due to site constraints, all areas designated for infiltration and vegetation control measures must be loosened prior to installation of the control measure(s).
- Any temporary or permanent facility designed and constructed for the conveyance of stormwater around, through, or from the earth disturbance area shall be a stabilized conveyance designed to minimize erosion and the discharge of sediment off site.
- Concrete wash water shall be contained and disposed of in accordance with the SWMP. No wash water shall be discharged to or allowed to enter State Waters, including any surface or subsurface storm drainage system or facilities. Concrete washwaters shall not be located in an area where shallow groundwater may be present, or within 50 feet of a surface water body, creek or stream.
- During dewatering operations of uncontaminated ground water may be discharged on site, but shall not leave the site in the form of surface runoff unless an approved State dewatering permit is in place.
- Erosion control blanketing or other protective covering shall be used on slopes steeper than 3:1.
- Contractor shall be responsible for the removal of all wastes from the construction site for disposal in accordance with local and State regulatory requirements. No construction debris, tree slash, building material wastes or unused building materials shall be buried, dumped, or discharged at the site.
- Waste materials shall not be temporarily placed or stored in the street, alley, or other public way, unless in accordance with an approved Traffic Control Plan. Control measures may be required by El Paso County Engineering if deemed necessary, based on specific conditions and circumstances.
- Tracking of soils and construction debris off-site shall be minimized. Materials tracked off-site shall be cleaned up and properly disposed of immediately.
- The owner/developer shall be responsible for the removal of all construction debris, dirt, trash, rock, sediment, soil, and sand that may accumulate in roads, storm drains and other drainage conveyance systems and stormwater appurtenances as a result of site development.
- The quantity of materials stored on the project site shall be limited, as much as practical, to that quantity required to perform the work in an orderly sequence. All materials stored on-site shall be stored in a neat, orderly manner, in their original containers, with original manufacturer's labels.
- No chemical(s) having the potential to be released in stormwater are to be stored or used onsite unless permission for the use of such chemical(s) is granted in writing by the ECM Administrator. In granting approval for the use of such chemical(s), special conditions and monitoring may be required.
- Bulk storage of allowed petroleum products or other allowed liquid chemicals in excess of 55 gallons shall require adequate secondary containment protection to contain all spills onsite and to prevent any spilled materials from entering State Waters, any surface or subsurface storm drainage system or other facilities.
- No person shall cause the impediment of stormwater flow in the curb and gutter or ditch except with approved sediment control measures.
- Owner/developer and their agents shall comply with the "Colorado Water Quality Control Act" (Title 25, Article 8, CRS), and the "Clean Water Act" (33 USC 1344), in addition to the requirements of the Land Development Code, DCM Volume II and the ECM Appendix I. All appropriate permits must be obtained by the contractor prior to construction (1041, NPDES, Floodplain, 404, fugitive dust, etc.). In the event of conflicts between these requirements and other laws, rules, or regulations of other Federal, State, local, or County agencies, the most restrictive laws, rules, or regulations shall apply.
- All construction traffic must enter/exit the site only at approved construction access points.
- Prior to construction the permittee shall verify the location of existing utilities.
- A water source shall be available on site during earthwork operations and shall be utilized as required to minimize dust from earthwork equipment and wind.
- The Sub-Surface Soil Investigation, Sterling Ranch Bridges prepared by Entech Engineering shall be considered a part of these plans.
- At least ten (10) days prior to the anticipated start of construction, for projects that will disturb one (1) acre or more, the owner or operator of construction activity shall submit a permit application for stormwater discharge to the Colorado Department of Public Health and Environment, Water Quality Division. The application contains certification of completion of a stormwater management plan (SWMP), of which this Grading and Erosion Control Plan may be a part. For information or application materials contact:

Colorado Department of Public Health and Environment  
 Water Quality Control Division  
 WQCD - Permits  
 4300 Cherry Creek Drive South  
 Denver, CO 80246-1530  
 Attn: Permits Unit

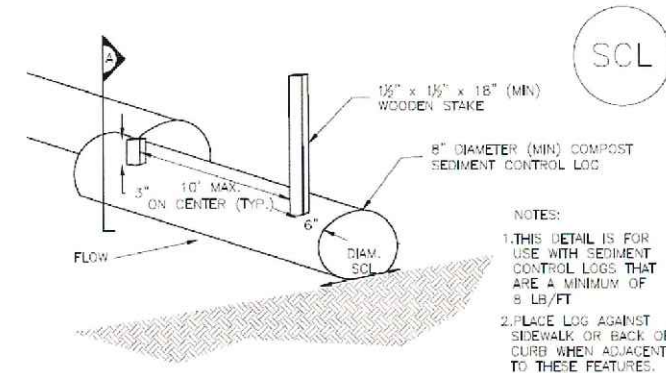
Celebrating 30 years  
**Kiowa**  
 Engineering Corporation  
 1604 South 21st Street  
 Colorado Springs, Colorado 80904  
 (719) 630-7342

**STERLING RANCH DEVELOPMENT  
 BRIARGATE BOULEVARD BRIDGE GRADING & EROSION CONTROL PLANS  
 NOTES AND SPECIFICATIONS  
 EL PASO COUNTY, COLORADO**

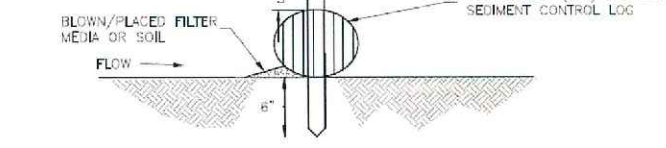
Project No.:	19032
Date:	6/29/2022
Design:	TAC
Drawn:	PAV
Check:	
Revisions:	

**GEC3**

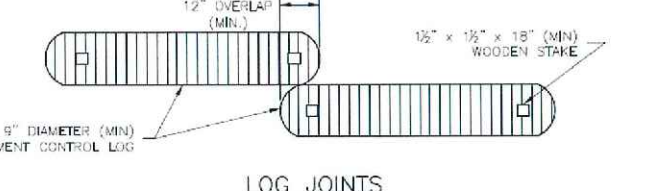
**SC-2 Sediment Control Log (SCL)**



COMPOST SEDIMENT CONTROL LOG (WEIGHTED)



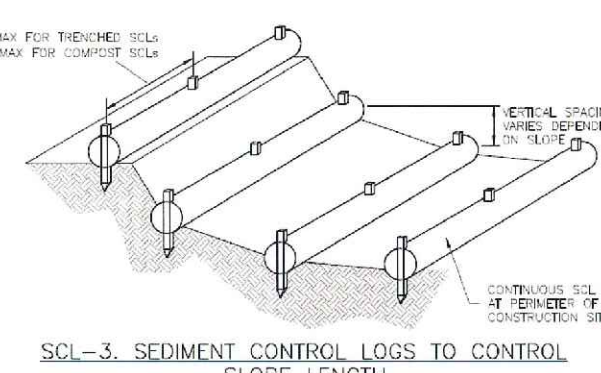
SECTION A  
COMPOST SEDIMENT CONTROL LOG



SCL-2, COMPOST SEDIMENT CONTROL LOG (WEIGHTED)

SCL-4 Urban Drainage and Flood Control District  
 Urban Storm Drainage Criteria Manual Volume 3  
 November 2015

**Sediment Control Log (SCL) SC-2**



SCL-3, SEDIMENT CONTROL LOGS TO CONTROL SLOPE LENGTH

November 2015 Urban Drainage and Flood Control District  
 Urban Storm Drainage Criteria Manual Volume 3

**SC-2 Sediment Control Log (SCL)**

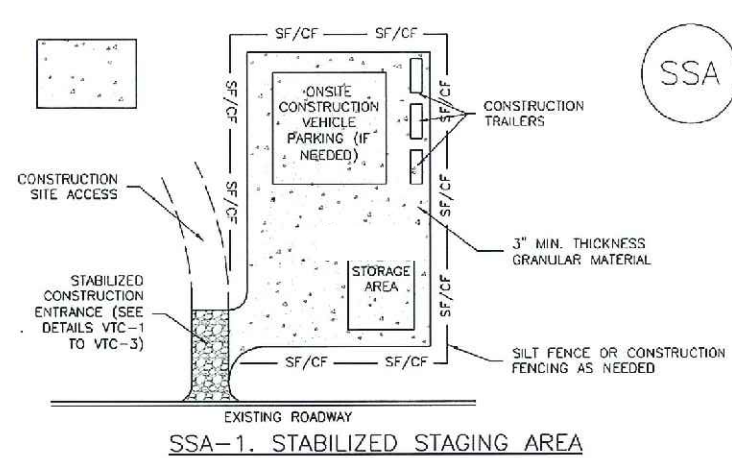
- SEDIMENT CONTROL LOG INSTALLATION NOTES**
- SEE PLAN VIEW FOR LOCATION AND LENGTH OF SEDIMENT CONTROL LOGS.
  - SEDIMENT CONTROL LOGS THAT ACT AS A PERIMETER CONTROL SHALL BE INSTALLED PRIOR TO ANY UPGRADE/LAND-DISTURBING ACTIVITIES.
  - SEDIMENT CONTROL LOGS SHALL CONSIST OF STRAW, COMPOST, EXCELLOID OR COCONUT FIBER, AND SHALL BE FREE OF ANY NOXIOUS WEED SEEDS OR INFESTING INSECTS, HOLES AND OBVIOUS WEAR.
  - SEDIMENT CONTROL LOGS MAY BE USED AS SMALL CHECK DAMS IN DITCHES AND SWALES; HOWEVER, THEY SHOULD NOT BE USED IN PERMANENT DITCHES.
  - IT IS RECOMMENDED THAT SEDIMENT CONTROL LOGS BE TRENCHED INTO THE GROUND TO A DEPTH OF APPROXIMATELY 1/2 OF THE DIAMETER OF THE LOG. IF TRENCHING TO THIS DEPTH IS NOT FEASIBLE AND/OR DESIRABLE (DUE TO SOIL INSTALLATION WITH DESIRE NOT TO DAMAGE LANDSCAPE) A LESSER TRENCHING DEPTH MAY BE ACCEPTABLE WITH MORE ROBUST STAKING. COMPOST LOGS THAT ARE 8' DIA/FT DO NOT NEED TO BE TRENCHED.
  - THE UPWILL SIDE OF THE SEDIMENT CONTROL LOG SHALL BE BACKFILLED WITH SOIL OR FILTER MATERIAL THAT IS FREE OF ROCKS AND DEBRIS. THE SOIL SHALL BE TIGHTLY COMPACTED INTO THE SHAPE OF A RIGHT TRIANGLE USING A SHOVEL OR WEIGHTED LEAN ROLLER OR ROLLER IN PLACE.
  - FOLLOW MANUFACTURERS' GUIDANCE FOR STAKING. IF MANUFACTURERS' INSTRUCTIONS DO NOT SPECIFY STAKING, STAKES SHALL BE PLACED ON 4' CENTERS AND EXTENDED A MINIMUM OF 6" INTO THE GROUND. 1" OF THE STAKE SHALL PROTRUDE FROM THE TOP OF THE LOG. STAKES THAT ARE BROKEN PRIOR TO INSTALLATION SHALL BE REPLACED. COMPOST LOGS SHOULD BE STAKED 10" ON CENTER.

- SEDIMENT CONTROL LOG MAINTENANCE NOTES**
- INSPECT BMPs EACH WORKDAY, AND MAINTAIN THEM IN EFFECTIVE OPERATING CONDITION. MAINTENANCE OF BMPs SHOULD BE PROACTIVE, NOT REACTIVE. INSPECT BMPs AS SOON AS POSSIBLE (AND ALWAYS WITHIN 24 HOURS) FOLLOWING A STORM THAT CAUSES SURFACE EROSION, AND PERFORM NECESSARY MAINTENANCE.
  - FREQUENT OBSERVATIONS AND MAINTENANCE ARE NECESSARY TO MAINTAIN BMPs IN EFFECTIVE OPERATING CONDITION. INSPECTIONS AND CORRECTIVE MEASURES SHOULD BE DOCUMENTED THOROUGHLY.
  - WHERE BMPs HAVE FAILED, REPAIR OR REPLACEMENT SHOULD BE INITIATED UPON DISCOVERY OF THE FAILURE.
  - SEDIMENT ACCUMULATED UPSTREAM OF SEDIMENT CONTROL LOGS SHALL BE REMOVED AS NEEDED TO MAINTAIN FUNCTIONALITY OF THE BMP, TYPICALLY WHEN DEPTH OF ACCUMULATED SEDIMENTS IS APPROXIMATELY 1/2 OF THE HEIGHT OF THE SEDIMENT CONTROL LOG.
  - SEDIMENT CONTROL LOGS SHALL BE REMOVED AT THE END OF CONSTRUCTION. COMPOST FROM COMPOST LOGS MAY BE KEPT IN PLACE AS LONG AS BMPs ARE REMOVED AND THE AREA RESEEDS. IF DISTURBED AREAS EXIST AFTER REMOVAL, THEY SHALL BE COVERED WITH TOP SOIL, RESEED, AND MULCHED OR OTHERWISE STABILIZED IN A MANNER APPROVED BY THE LOCAL JURISDICTION.

DETAILS ADAPTED FROM PLAN OF PARKER COUNTY, JEFFERSON COUNTY, COLORADO, DOUGLAS COUNTY, COLORADO, AND CITY OF ARDEN, COLORADO, NOT AVAILABLE IN ARIZONA.  
 NOTE: MANY JURISDICTIONS HAVE BMP DETAILS THAT VARY FROM USFCD STANDARD DETAILS. CONSULT WITH LOCAL JURISDICTIONS AS TO WHICH DETAIL SHOULD BE USED WHEN DIFFERENCES ARE NOTED.

SCL-6 Urban Drainage and Flood Control District  
 Urban Storm Drainage Criteria Manual Volume 3  
 November 2015

**Stabilized Staging Area (SSA) SM-6**



SSA-1, STABILIZED STAGING AREA

- STABILIZED STAGING AREA INSTALLATION NOTES**
- SEE PLAN VIEW FOR:
    - LOCATION OF STAGING AREAS
    - CONTINUOUS W/ ACCESS LOCATION AND SIZE OF STAGING AREA WITH APPROVAL FROM THE LOCAL JURISDICTION.
  - STABILIZED STAGING AREA SHOULD BE APPROPRIATE FOR THE NEEDS OF THE SITE. OVERSIZING RESULTS IN A LARGER AREA TO STABILIZE FOLLOWING CONSTRUCTION.
  - STAGING AREA SHALL BE STABILIZED PRIOR TO OTHER OPERATIONS ON THE SITE.
  - THE STABILIZED STAGING AREA SHALL CONSIST OF A MINIMUM 3" THICK GRANULAR MATERIAL.
  - UNLESS OTHERWISE SPECIFIED BY LOCAL JURISDICTION, ROCK SHALL CONSIST OF DOT SECT. #703, AASHTO #3 COARSE AGGREGATE OR 8" (MINUS) ROCK.
  - ADDITIONAL PERIMETER BMPs MAY BE REQUIRED INCLUDING BUT NOT LIMITED TO Silt FENCE AND CONSTRUCTION FENCING.

- STABILIZED STAGING AREA MAINTENANCE NOTES**
- INSPECT BMPs EACH WORKDAY, AND MAINTAIN THEM IN EFFECTIVE OPERATING CONDITION. MAINTENANCE OF BMPs SHOULD BE PROACTIVE, NOT REACTIVE. INSPECT BMPs AS SOON AS POSSIBLE (AND ALWAYS WITHIN 24 HOURS) FOLLOWING A STORM THAT CAUSES SURFACE EROSION, AND PERFORM NECESSARY MAINTENANCE.
  - FREQUENT OBSERVATIONS AND MAINTENANCE ARE NECESSARY TO MAINTAIN BMPs IN EFFECTIVE OPERATING CONDITION. INSPECTIONS AND CORRECTIVE MEASURES SHOULD BE DOCUMENTED THOROUGHLY.
  - WHERE BMPs HAVE FAILED, REPAIR OR REPLACEMENT SHOULD BE INITIATED UPON DISCOVERY OF THE FAILURE.
  - ROCK SHALL BE REGRIPPED OR REGRASSED AS NECESSARY IF ROTTING OCCURS OR UNDERLYING SUBSTRATE BECOMES EXPOSED.

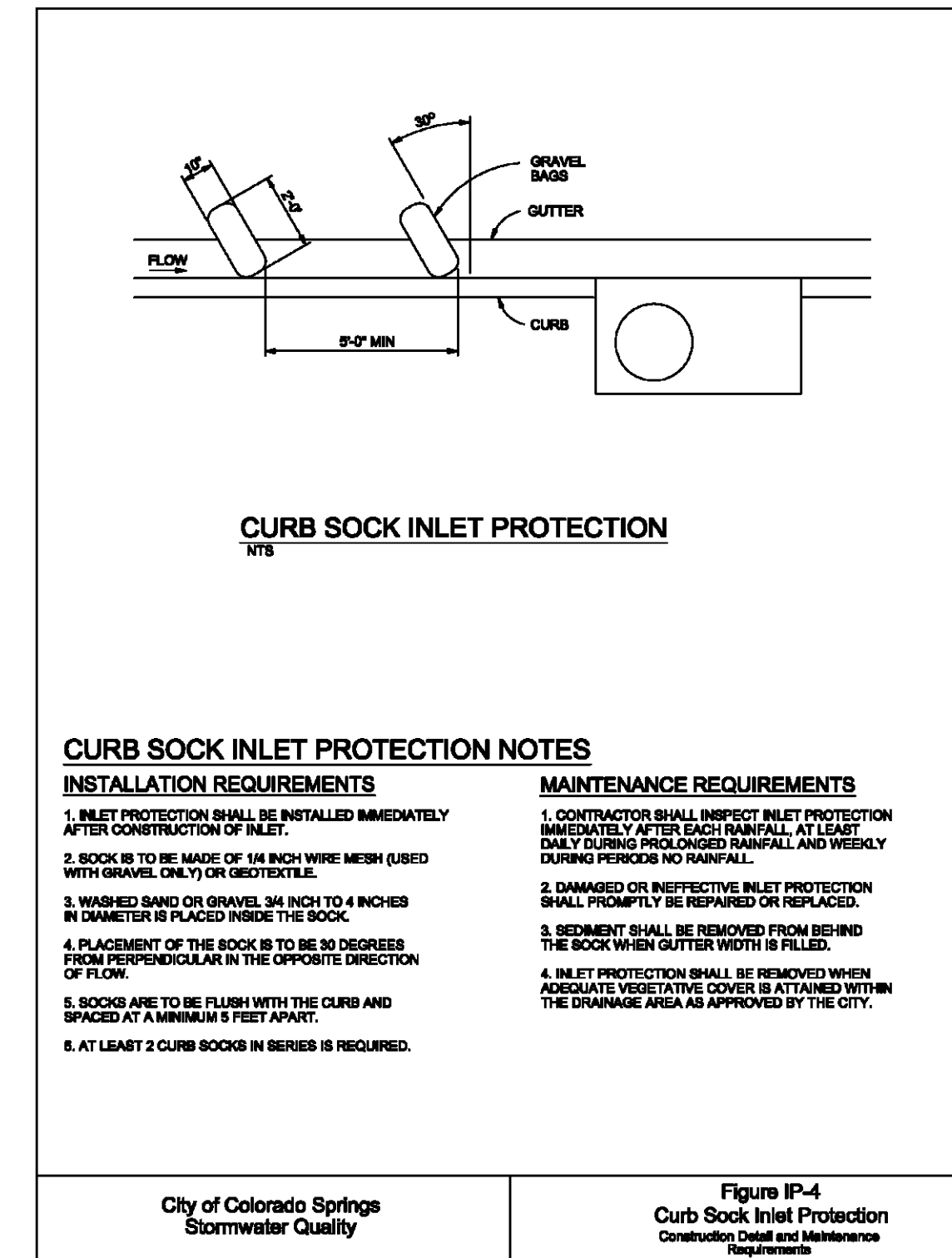
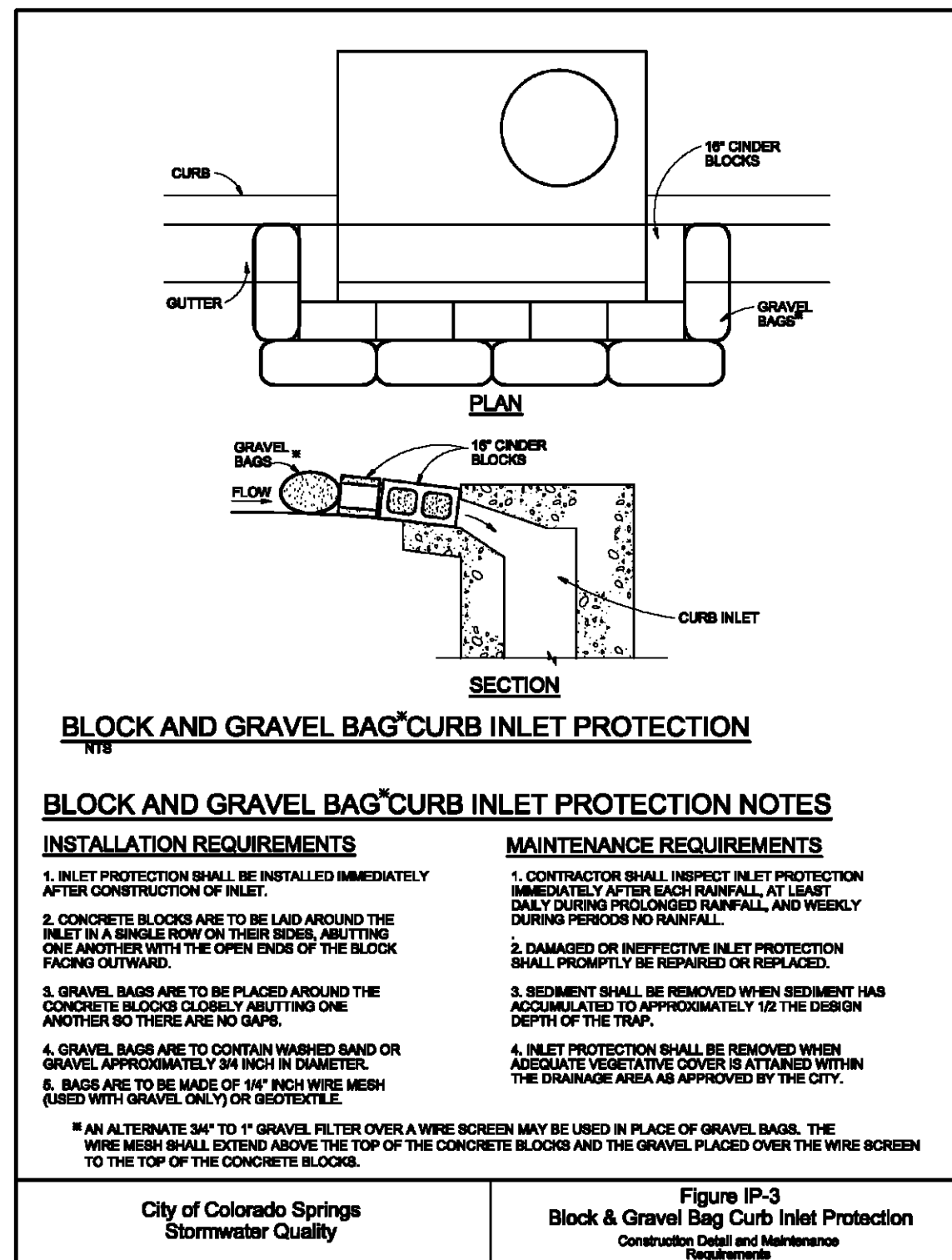
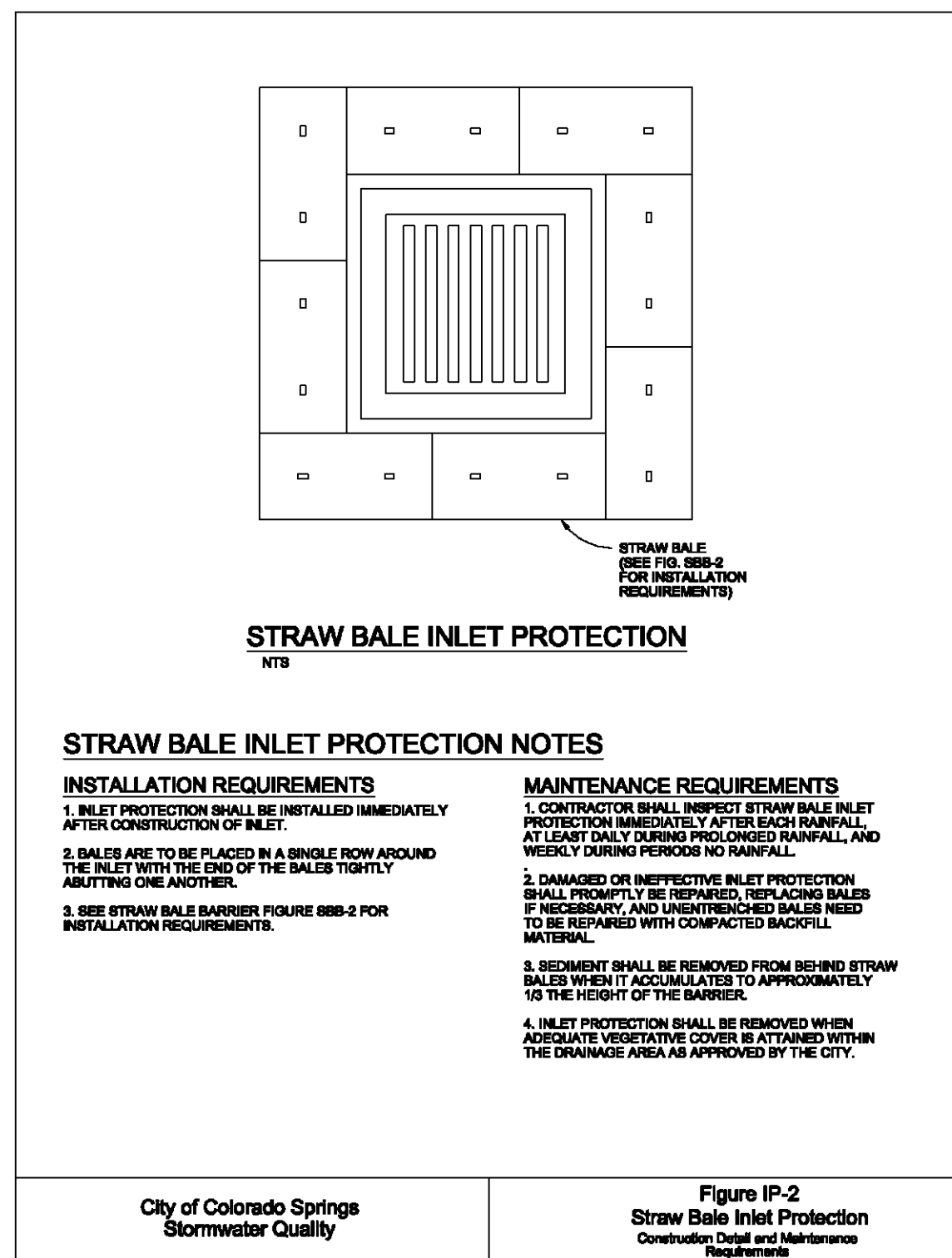
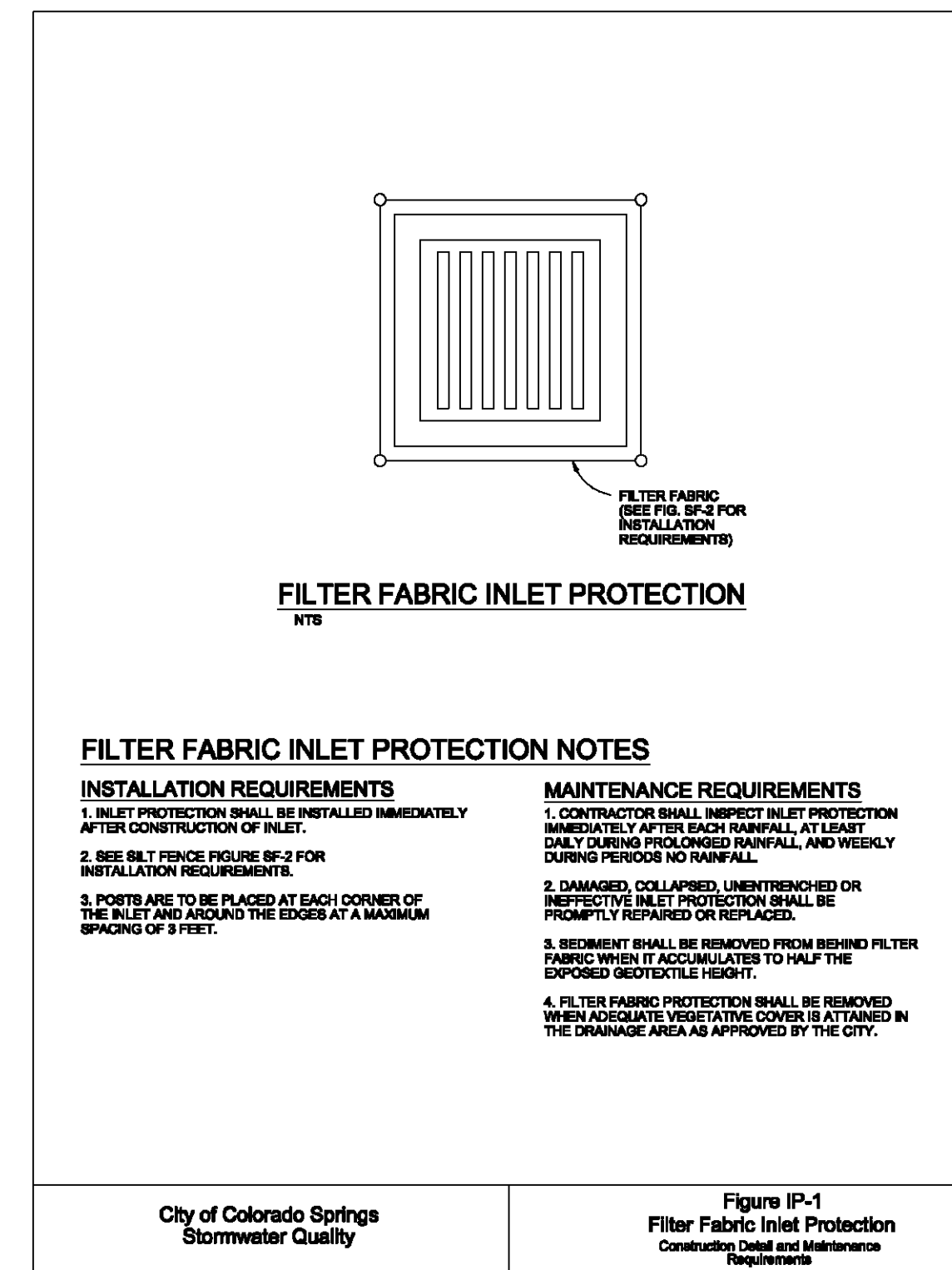
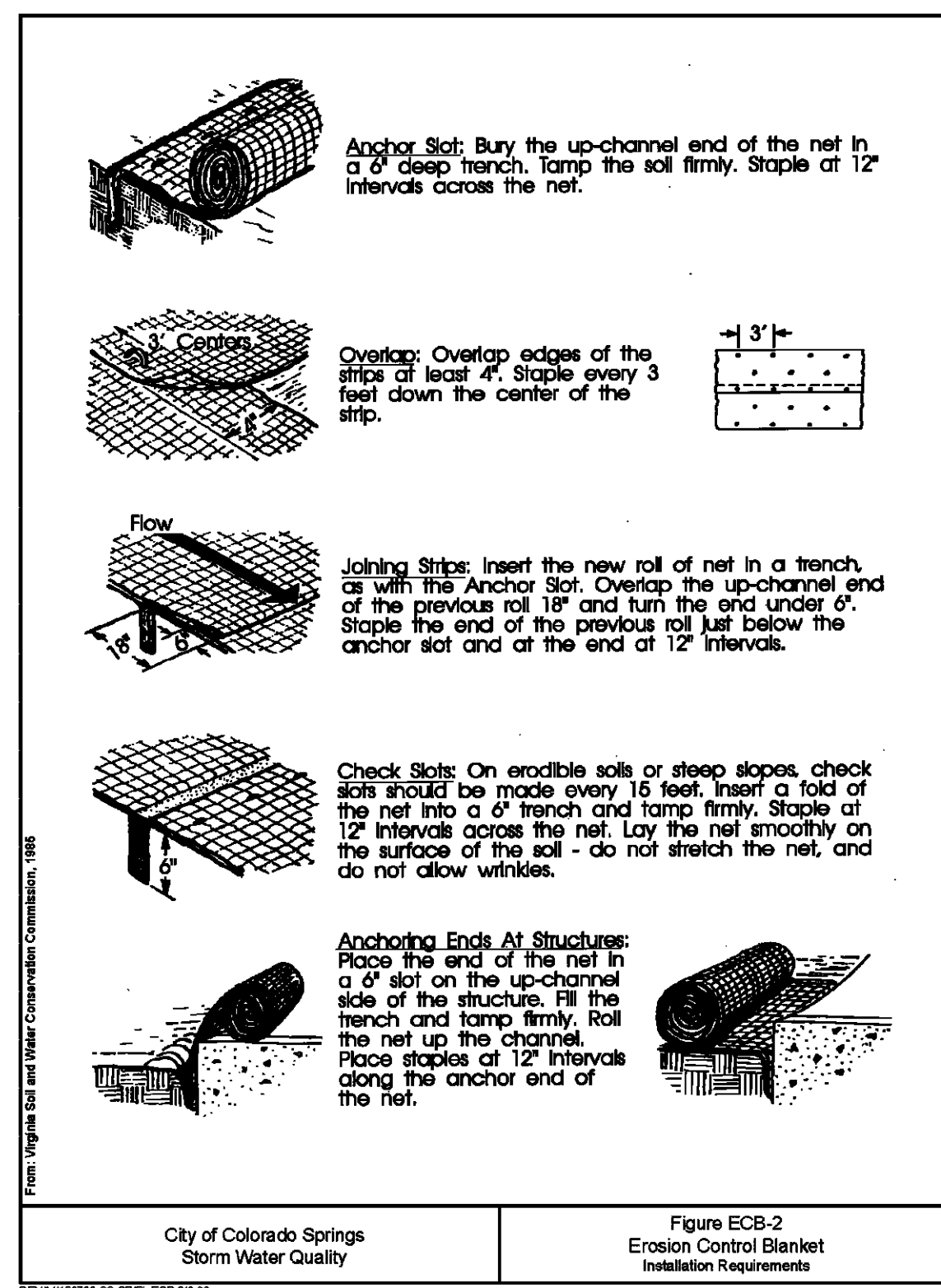
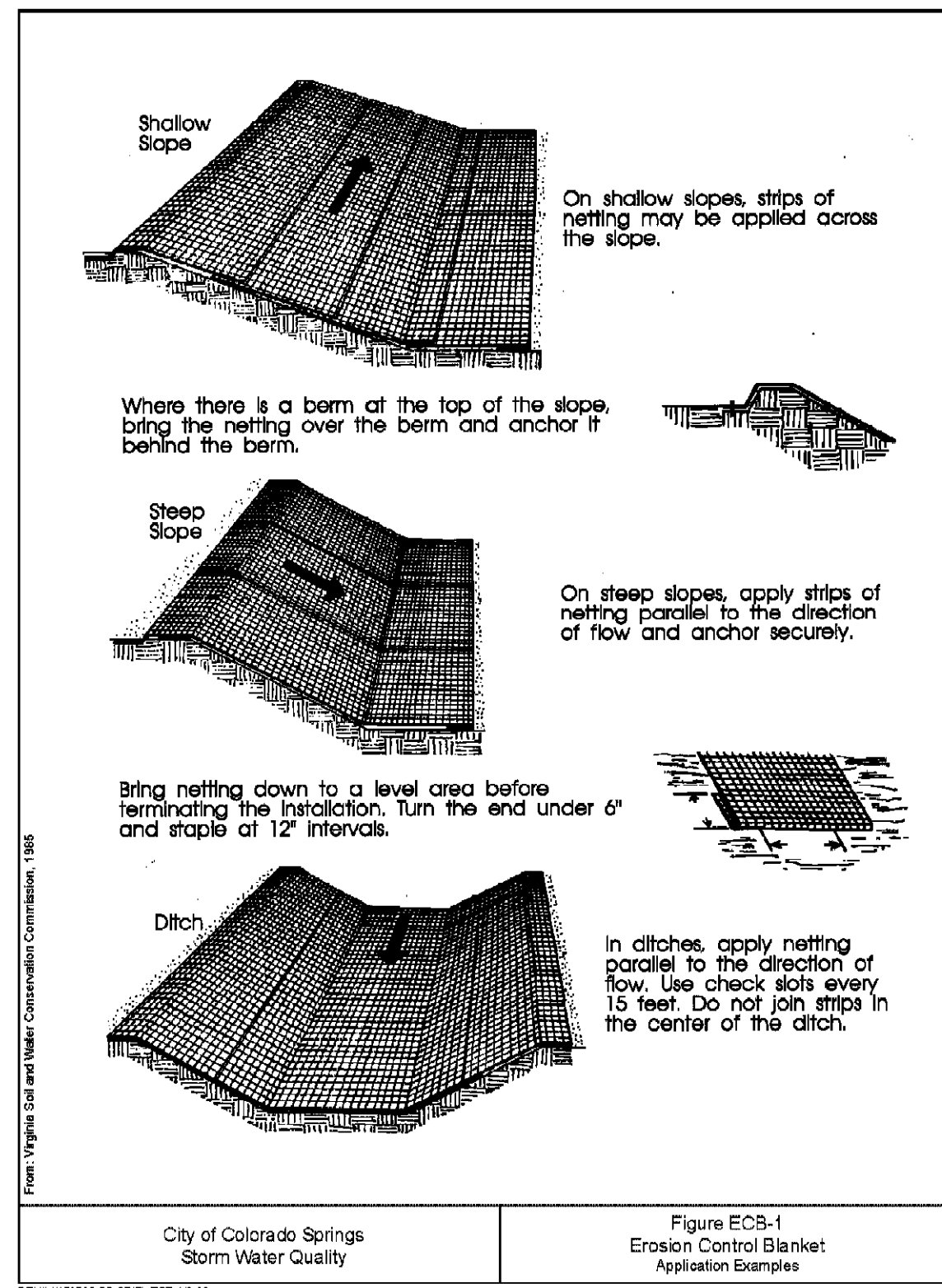
November 2010 Urban Drainage and Flood Control District  
 Urban Storm Drainage Criteria Manual Volume 3

**SM-6 Stabilized Staging Area (SSA)**

- STABILIZED STAGING AREA MAINTENANCE NOTES**
- STABILIZED STAGING AREA SHALL BE ENLARGED IF NECESSARY TO CONTAIN PARKING, STORAGE, AND UNLOADING/LOADING OPERATIONS.
  - THE STABILIZED STAGING AREA SHALL BE REMOVED AT THE END OF CONSTRUCTION. THE GRANULAR MATERIAL SHALL BE REMOVED OR, IF APPROVED BY THE LOCAL JURISDICTION, USED ON SITE, AND THE AREA COVERED WITH TOPSOIL, RESEED, AND MULCHED OR OTHERWISE STABILIZED IN A MANNER APPROVED BY LOCAL JURISDICTION.
  - NOTE: MANY JURISDICTIONS PROHIBIT THE USE OF RECYCLED CONCRETE AS GRANULAR MATERIAL FOR STABILIZED STAGING AREAS DUE TO IMPAIRMENTS WITH RE-ESTABLISHMENT OF VEGETATION IN AREAS WHERE RECYCLED CONCRETE WAS PLACED.
  - NOTE: MANY JURISDICTIONS HAVE BMP DETAILS THAT VARY FROM USFCD STANDARD DETAILS. CONSULT WITH LOCAL JURISDICTIONS AS TO WHICH DETAIL SHOULD BE USED WHEN DIFFERENCES ARE NOTED.

DETAILS ADAPTED FROM BOKSAYE COUNTY, COLORADO, NOT AVAILABLE IN ARIZONA

SSA-4 Urban Drainage and Flood Control District  
 Urban Storm Drainage Criteria Manual Volume 3  
 November 2010



Project No.:	19032
Date:	6/29/2022
Design:	TAC
Drawn:	PAV
Check:	
Revisions:	