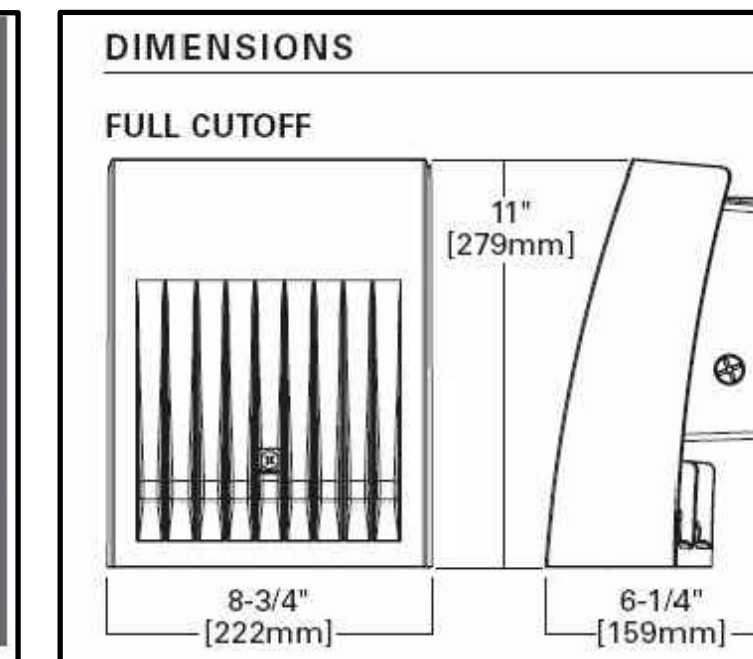




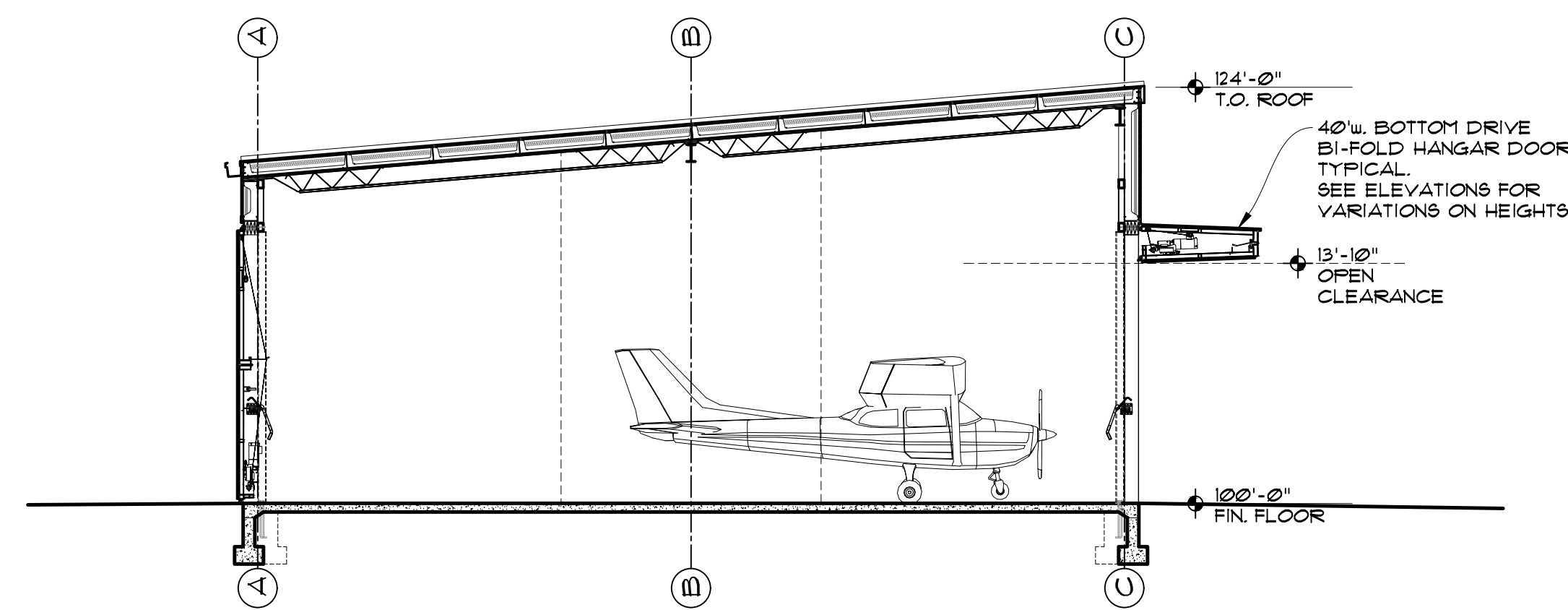
**XTOR  
CROSSTOUR  
MAXX LED**



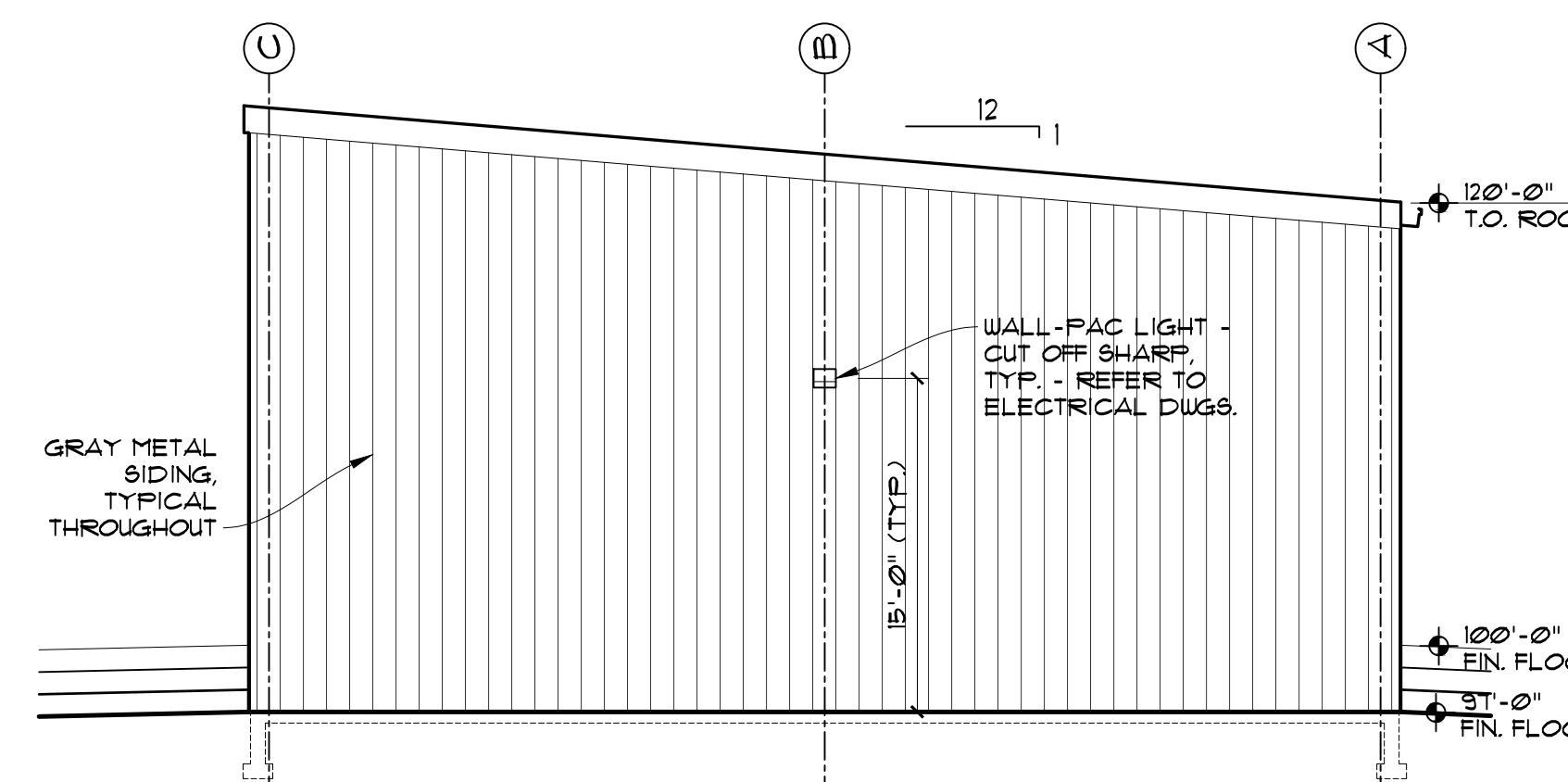
**XTOR  
CROSSTOUR LED**



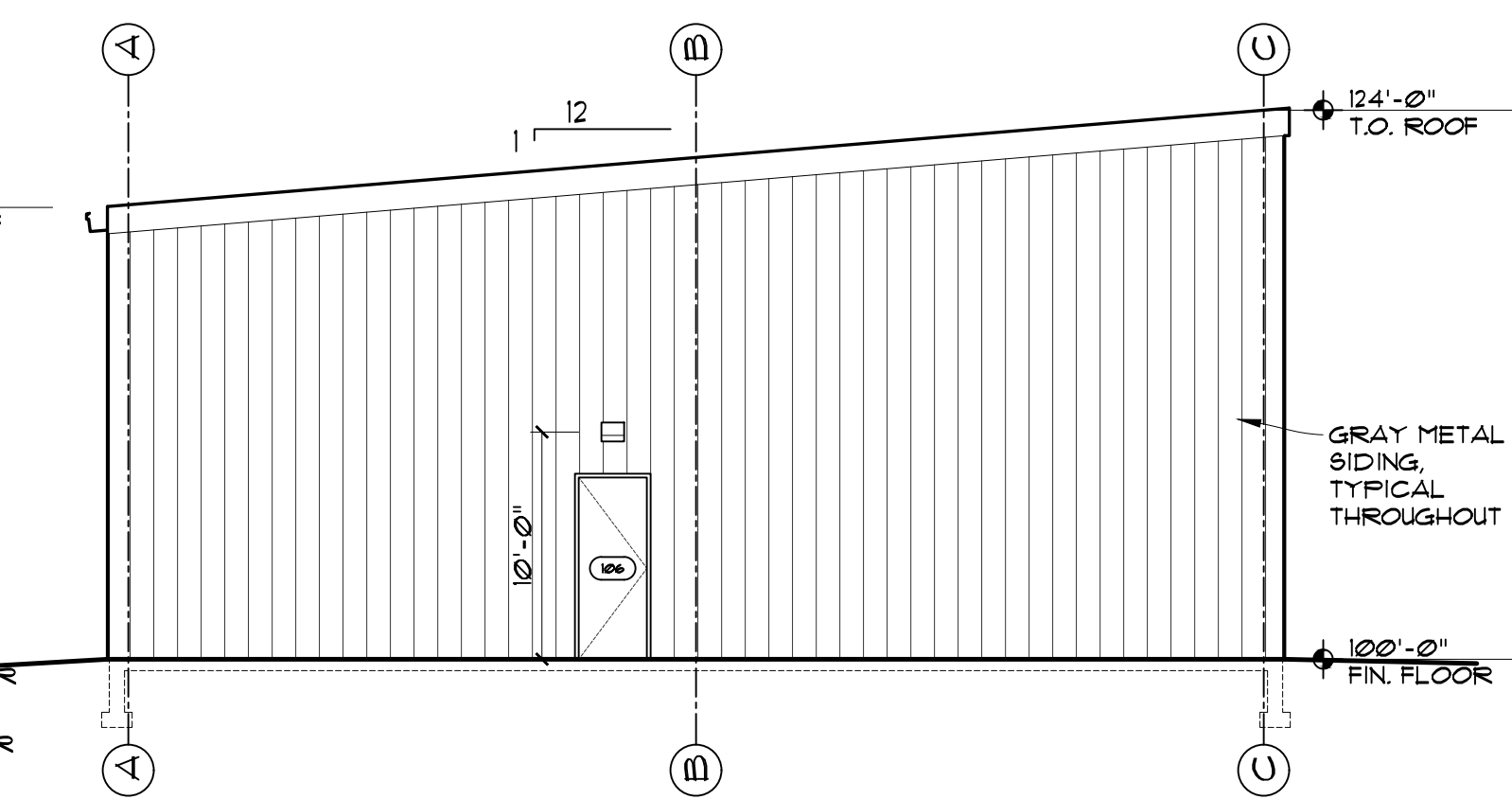
WALL-PAK VIEWS AND DIMENSIONS, FULL CUTOFF LENS SEE BUILDING ELEVATIONS FOR LOCATIONS



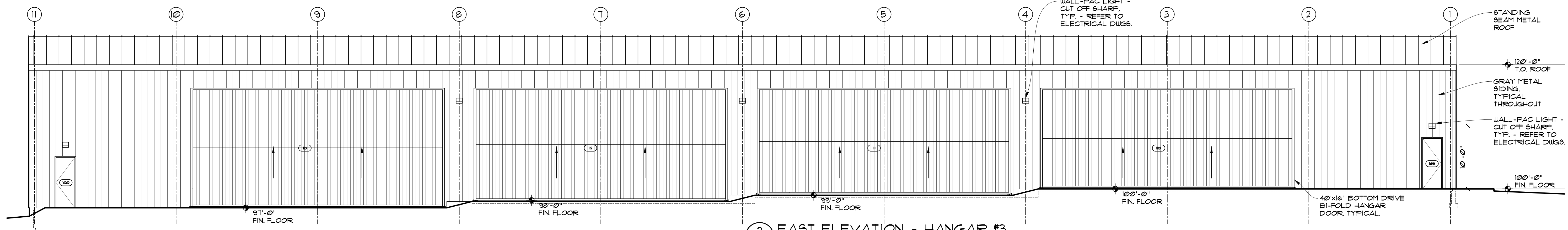
**5 BUILDING SECTION**  
DP-3 SCALE: 1/8" = 1'-0"



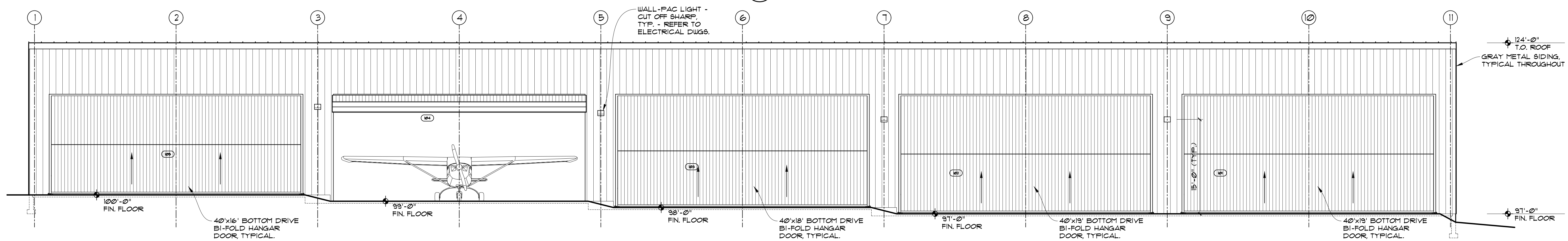
**4 SOUTH ELEVATION - HANGAR #3**  
DP-3 SCALE: 1/8" = 1'-0"



**3 NORTH ELEVATION - HANGAR #3**  
DP-3 SCALE: 1/8" = 1'-0"



**2 EAST ELEVATION - HANGAR #3**  
DP-3 SCALE: 1/8" = 1'-0"



**1 WEST ELEVATION - HANGAR #3**  
DP-3 SCALE: 1/8" = 1'-0"

**MEADOW LAKE HANGAR**

8140 CESSNA DRIVE  
PEYTON, COLORADO 80831

PROJECT NO.  
DRN BY: L. Ross  
REVISIONS:  
1st SUB. 4-16-2021

REVIEW SET  
NOT FOR  
CONSTRUCTION  
4-14-2021

ISSUE DATE:  
SHEET:  
**DP-3**  
3 OF 4

FILE NO: