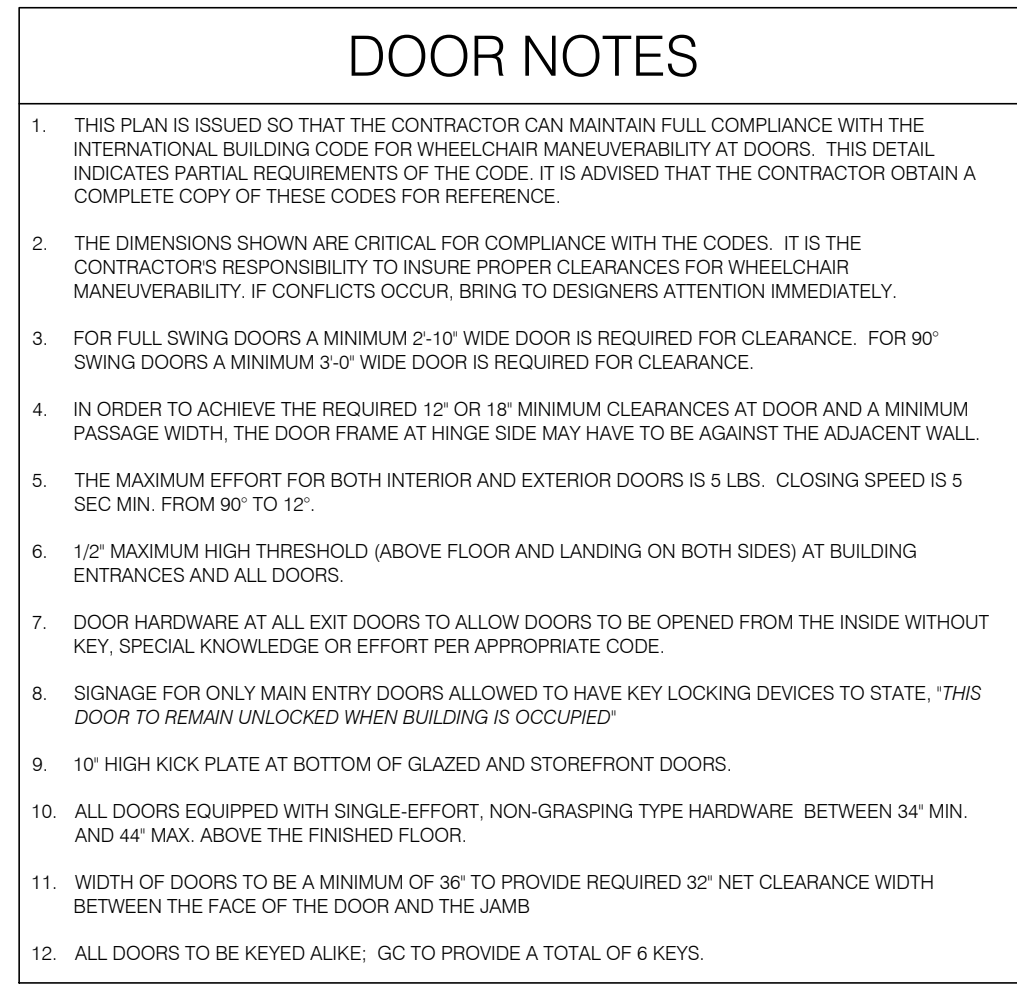
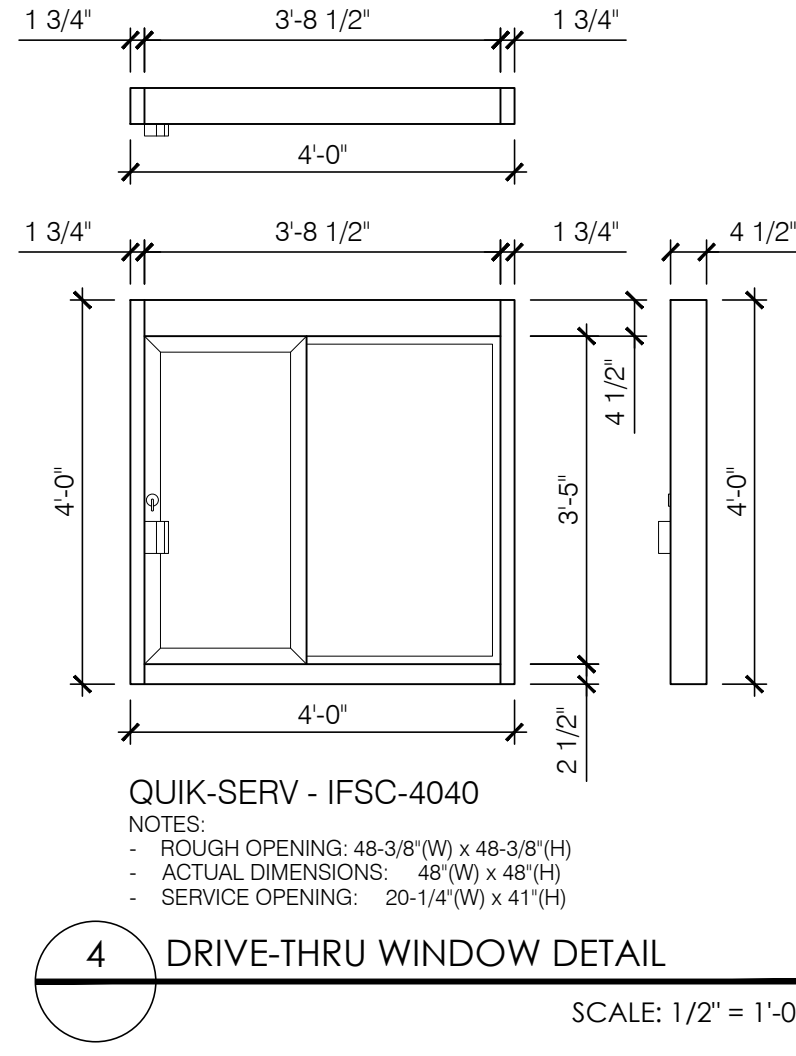
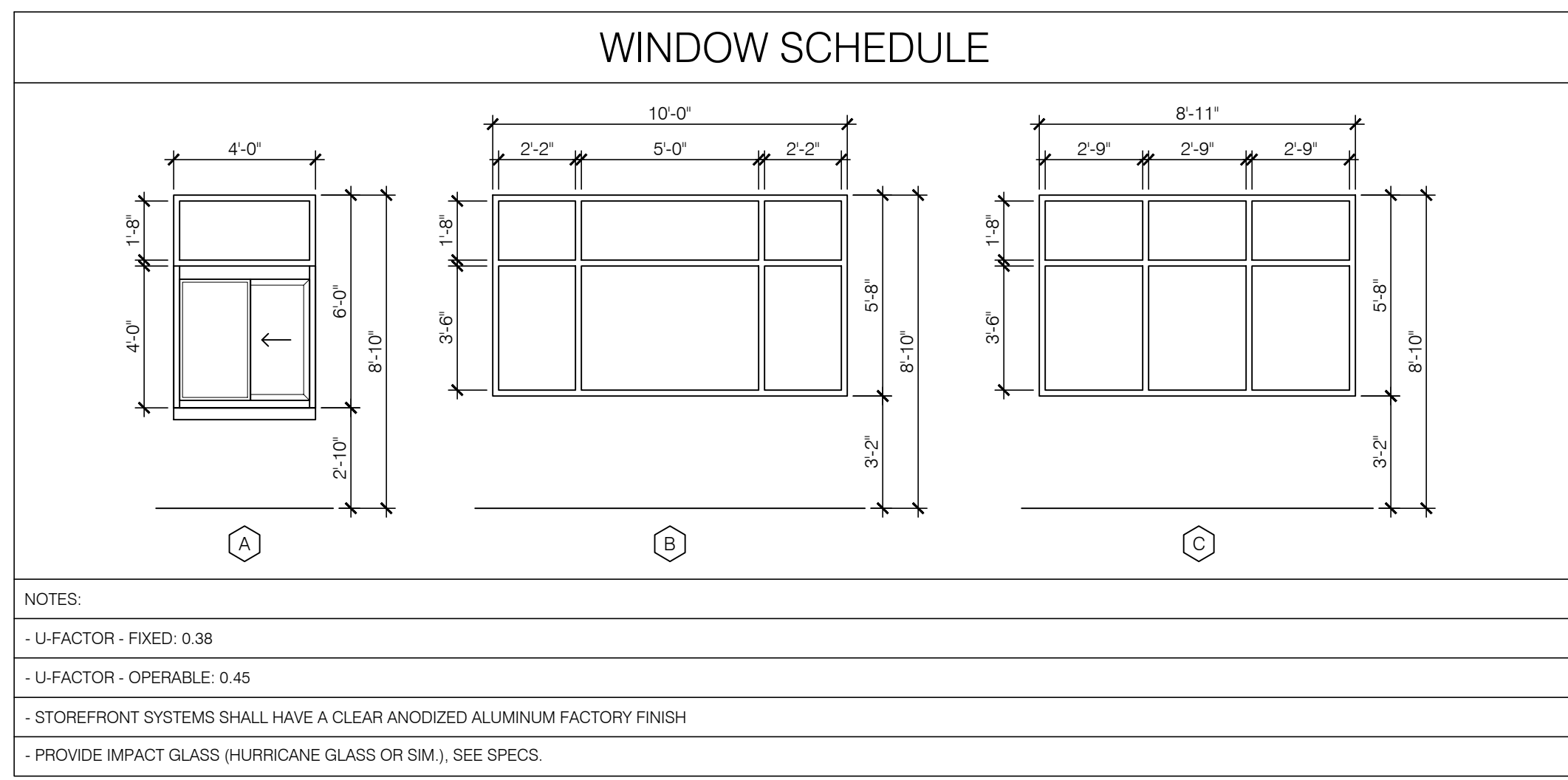


The name DUTCH-BROS and all associated logos, distinctive designs, content, information, and other materials featured, displayed, contained herein, and made available by Dutch Bros, including but not limited to, the "look and feel" of the establishments and products, all text, images, colors, configurations, graphics, designs, illustrations, photographs, and pictures (collectively, the "Materials") are owned by and/or licensed by DB Franchising USA, LLC and are protected by copyright, trademark, trade dress, patent, and/or other intellectual property rights and unfair competition laws under the United States and foreign laws.



### DOOR SCHEDULE

#	SIZE		TYPE	GLASS	MATERIAL		HARDWARE	NOTES:
	WIDTH	HEIGHT			DR.	FR.		
01	3'-6"	7'-0"	A	1	TEMP.	HM	HMD	GROUP 1 A,B,C,D,E,F
02	3'-0"	7'-0"	B	2	TEMP.	HM	HMD	GROUP 2 A,B,C,D,E,F
03	3'-0"	7'-0"	C	2	-	HM	HMD	GROUP 3 B,D,F
04	3'-6"	7'-0"	D	1	-	HM	HMD	GROUP 4 B
05	3'-0"	7'-0"	E	1	-	HM	HMD	GROUP 5 B
06	3'-0"	3'-0"	F	3	-	HM	HMD	GROUP 6 B

**NOTES:**

- HM: HOLLOW METAL, 16 GA.
- HMD: HOLLOW METAL WELDED & DIMPLED

A ENSURE EMERGENCY HARDWARE IS IN WORKING CONDITION.

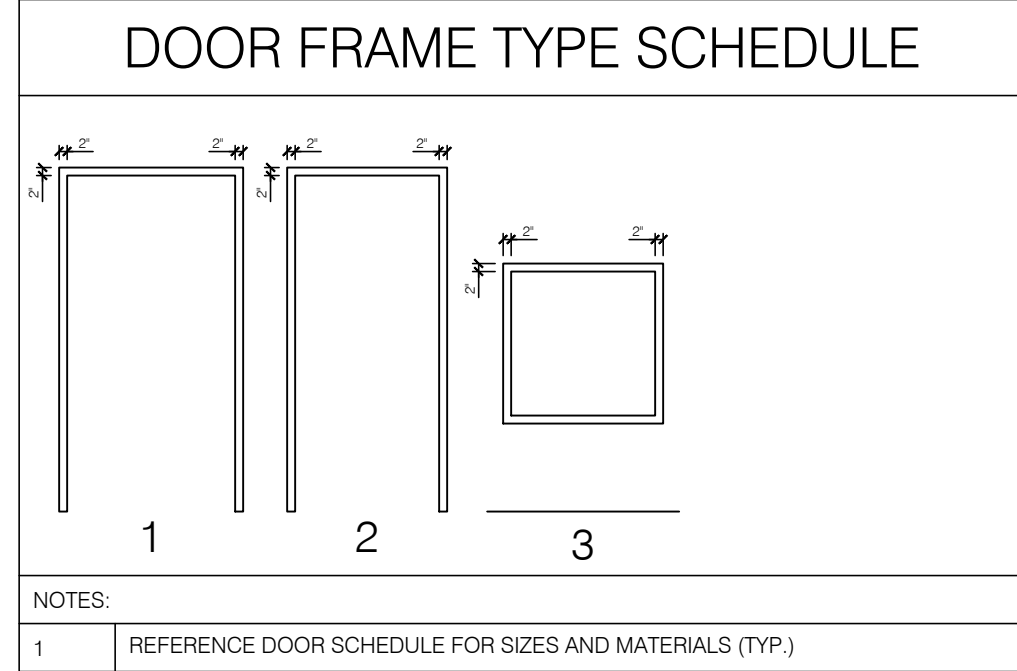
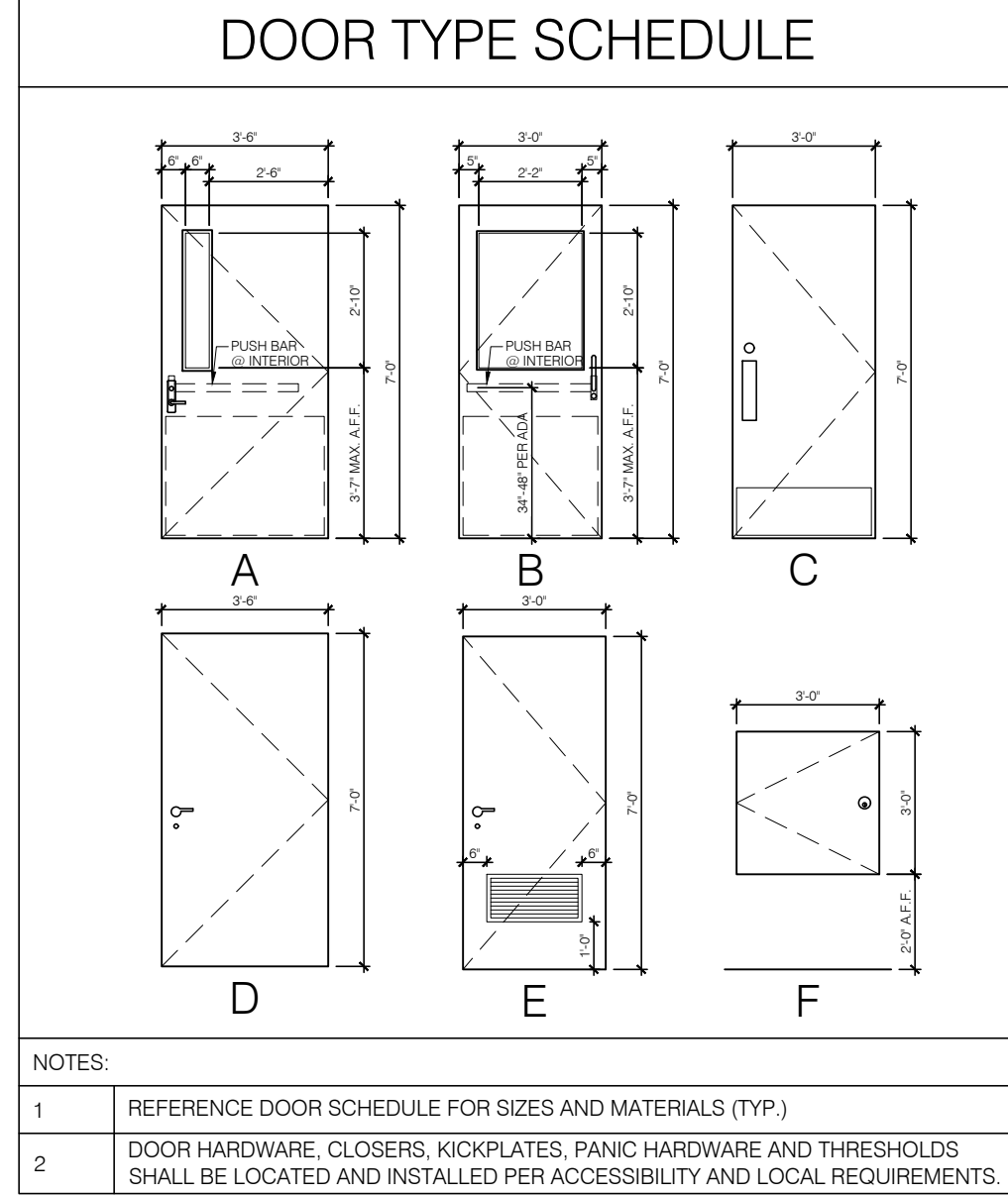
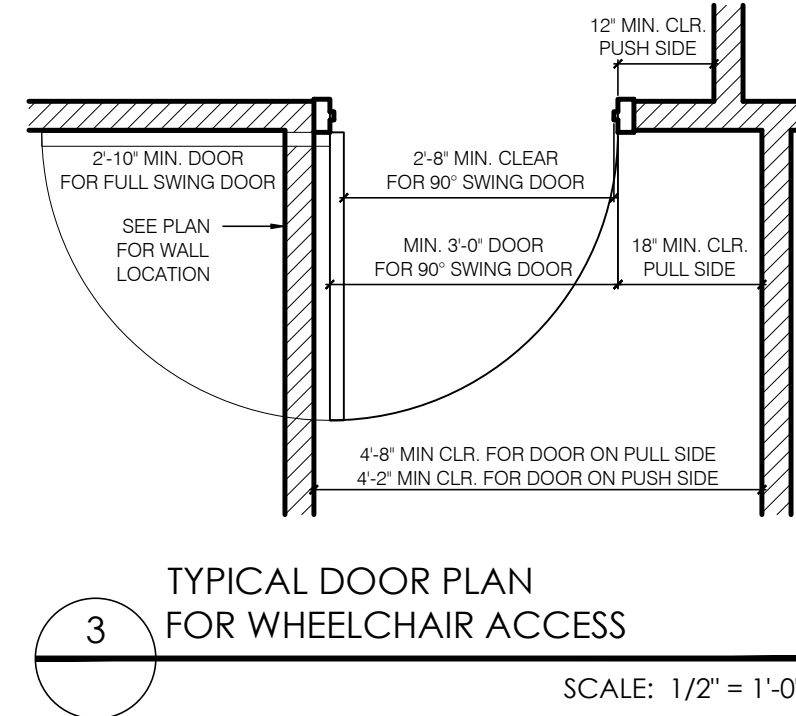
B DOOR & FRAME SHALL BE PAINT GRADE & PAINTED DUTCH BROS GRAY.

C DOOR TO HAVE SIGN POSTED ABOVE THAT STATES: "THIS DOOR TO REMAIN UNLOCKED WHILE BUILDING IS OCCUPIED."

D CLOSER SHALL BE BOLTED THROUGH DOOR LEAF & ARM MOUNTED USING HEAD-JAMB MOUNT.

E PROVIDE ADA COMPLIANT THRESHOLD SET IN SILICONE SEALANT.

F THE MAX PULL/PUSH EFFORT TO OPERATE DOORS SHALL NOT EXCEED 5 LBS. W/ EFFORT APPLIED TO RIGHT ANGLES TO HINGED DOORS.



### HARDWARE GROUPS:

**GROUP 1:**

- 1 EA. HINGES PIANO HINGES - CONTINUOUS
- 1 EA. TRILGY T2 DL2700 ALARM LOCK, ALL METAL, 12 BUTTON KEYPAD, WATERPROOF VERSION W/ US26D FINISH
- 1 EA. THRESHOLD PEMKO 2716A
- 1 EA. DOOR SHOE PEMKO 211APK
- 1 EA. DOOR SEAL PS074, BLACK
- 1 EA. FLOOR STOP
- 1 EA. DOOR CLOSER SARGENT 1431 RUO EN
- 1 EA. PANIC PUSH HARDWARE
- 1 EA. 40x30" KICK PLATE, INTERIOR, HAGER 190S, US32D FINISH

**GROUP 2:**

- 1 EA. HINGES PIANO HINGES - CONTINUOUS
- 1 EA. TRILGY T2 SERIES EXIT TRIM ETL27 ALARM LOCK ALL METAL 12 BUTTON KEYPAD, WATERPROOF VERSION W/ US26D FINISH
- 1 EA. THRESHOLD PEMKO 2716A
- 1 EA. DOOR SHOE PEMKO 211APK
- 1 EA. DOOR SEAL PS074, BLACK
- 1 EA. FLOOR STOP
- 1 EA. DOOR CLOSER SARGENT 1431 RUO EN
- 1 EA. PANIC PUSH HARDWARE
- 1 EA. 34x30" KICK PLATE, INTERIOR, HAGER 190S, US32D FINISH

**GROUP 3:**

- 3 EA. HINGES MCKINNEY T2714 4.5x4.5 NRP, FINISH 652
- 1 EA. DEADBOLT SCHLAGE B571 INDICATOR, 626 SATIN FINISH
- 1 EA. PUSH PLATE, 626 SATIN FINISH
- 1 EA. HANDLE PULL, 626 SATIN FINISH
- 1 EA. DOOR CLOSER SARGENT 1431 RUO EN
- 1 EA. 34x12" KICK PLATE, HAGER 190S, US32D FINISH

**GROUP 4:**

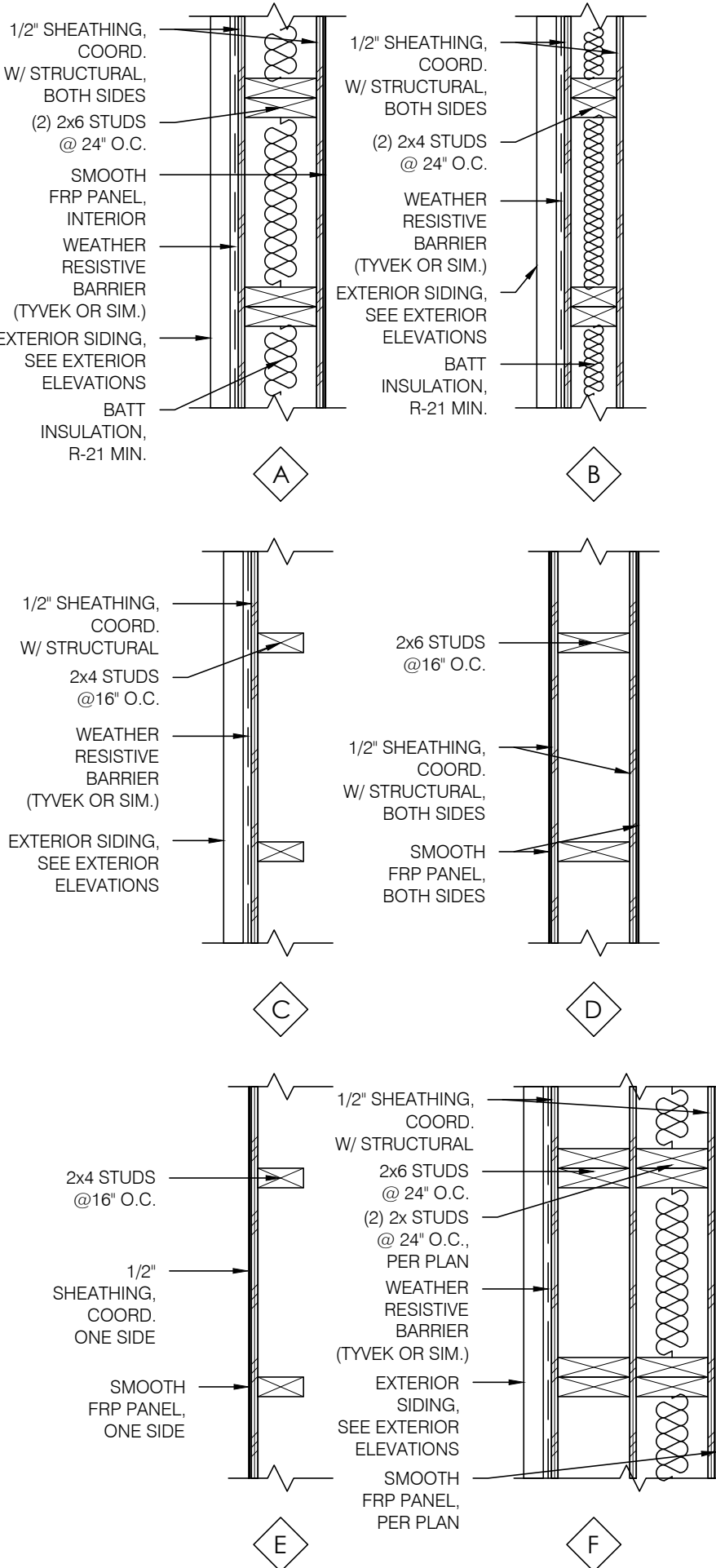
- 3 EA. HINGES MCKINNEY T2714 4.5 X 4.5 NRP, US26D FINISH
- 1 EA. LOCKSET SCHLAGE L9483 ENTRANCE LOCK SCHLAGE 06 STANDARD HANDLE SATIN FINISH FULL FACE, ESCUTCHEON L583-363 EZ TURN
- 1 EA. LATCH GUARD, STAINLESS STEEL, 7"
- 1 EA. THRESHOLD PEMKO 175A-72
- 1 EA. DOOR SHOE PEMKO 211APK
- 1 EA. DOOR SEAL PS074, BLACK
- 1 EA. KICK DOWN VES FS555 6" BLK FINISH

**GROUP 5:**

- 3 EA. HINGES MCKINNEY T2714 4.5 X 4.5 NRP, US26D FINISH
- 1 EA. LOCKSET SCHLAGE L9483 ENTRANCE LOCK SCHLAGE 06 STANDARD HANDLE SATIN FINISH FULL FACE, ESCUTCHEON L583-363 EZ TURN
- 1 EA. THRESHOLD PEMKO 175A-72
- 1 EA. DOOR SHOE PEMKO 211APK
- 1 EA. DOOR VENT 24x12" MIN.
- 1 EA. KICK DOWN VES FS555 6" BLK FINISH

**GROUP 6:**

- JL INDUSTRIES - EXTERIOR FLUSH ACCESS PANEL
- XPA-3636HW-R
- 36"x36" ACCESS PANEL W/ REMOVABLE FLUSH LOCKING HANDLE, WHITE, W/ RAINHOOD



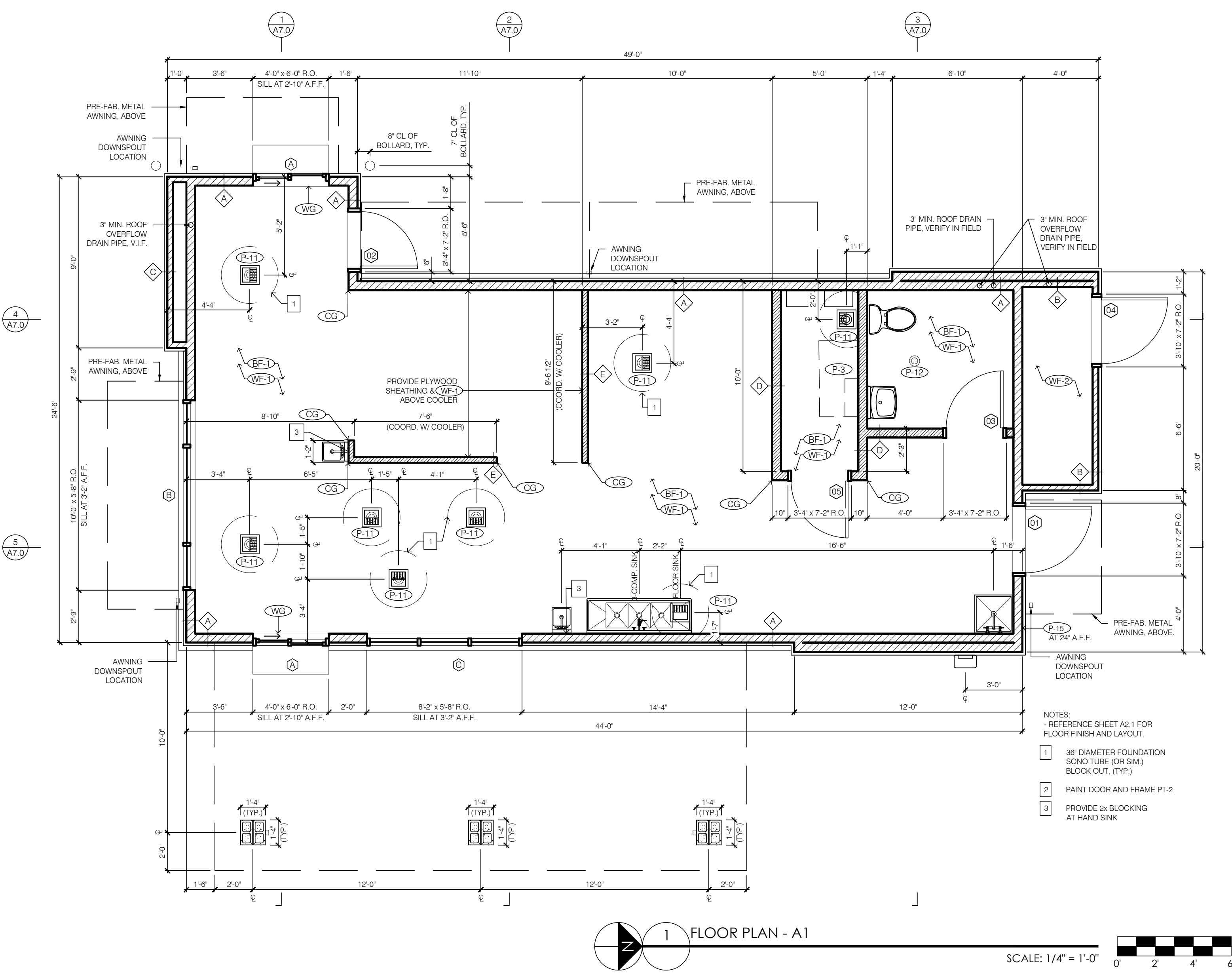
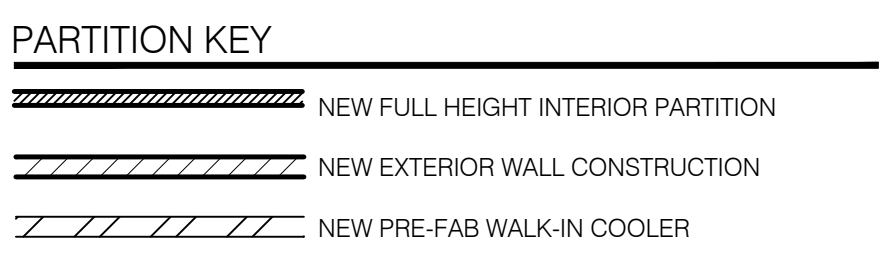
### FINISH SCHEDULE

TAG	FIN. DESCRIPTION	MFR.	MODEL	REMARKS
FLOOR				
FF-1	FLOOR TILE - TEXTURED	BEDROSIANS	6"x6" DOTI DIAMOND - ANTHRACITE R9 - MATTE	PRODUCTION AREA FIELD TILE
FF-2	FLOOR TILE - SMOOTH	BEDROSIANS	6"x6" DOTI DIAMOND - ANTHRACITE R12 - MATTE	PROVIDE UNDER EQUIPMENT
TILE SUBSTRATE	EPOXY GROUT	LATICRETE	IG 2000 IND. EPOXY GROUT #2 KIT BLACK	JOB PACK
		LATICRETE	STECTRALOCK IG 2000 PART A/B EPOXY GROUT	
		LATICRETE	STECTRALOCK PART C COLOR PACKET	
		LATICRETE	PERMACOLOR GROUT	
		LATICRETE	4-XLT GRAY	
BOND COAT	LATICRETE	LATASIL CAULKING		
CAULKING	LATICRETE	HYDRO BAN WATERPROOF/ ANTIFRACTURE		
WF-3	CONC. SLAB	-	-	-
BASE				
BF-1	WALL BASE - COVE	BEDROSIANS	4"x8" SMOOTH COVE - ANTHRACITE	SANITARY COVE
WALL				
WF-1	(FRP) FIBERGLASS REINFORCED PANEL	MARLITE	S 100G - 4'x10' PANELS	COLOR: WHITE; PROVIDE ALL NECESSARY TRIM PIECES
WF-2	1/2" CDX	-	-	COLOR: OUTDOOR LATEX WHITE PAINT
GUARDS				
CG	CORNER GUARD	AIS INDUSTRIES	CUSTOM	120" LONG W/ 2" WINGS, DRILLED, 90 DEGREE SHARP CORNER, BRUSHED FINISH
WG	WALL GUARD	AIS INDUSTRIES	CUSTOM	48" WIDE, WRAP FROM SERVICE WINDOW SILL TO TOP OF COVE BASE, BRUSHED FINISH
CEILING				
CLG-1	VINYL FACED ACT	USG	3260 - SHEETROCK BRAND LAY-IN CEILING PANEL	FLAT WHITE, SMOOTH
CLG-2	FRP OVER 1/2" CDX	MARLITE	S 100G - 4'x10' PANELS	COLOR: WHITE; PROVIDE ALL NECESSARY TRIM PIECES; PROVIDE ADHESIVE AND PAN HEAD SCREWS AT 24" O.C., E.W.
PAINT				
PT-1	BLDG DB LIGHT GRAY	SHERWIN-WILLIAMS	TBD	-
PT-2	BLDG DB DARK GRAY	SHERWIN-WILLIAMS	TBD	-
PT-3	BLDG DB BLUE	SHERWIN-WILLIAMS	TBD	-
PT-4	-	SHERWIN-WILLIAMS	SW-7006 - EXTRA WHITE	SEMI-GLOSS

### GENERAL NOTES:

- ALL DIMENSIONS TO FACE OF STUD UNLESS OTHERWISE NOTED.
- G.C. TO VERIFY ALL DIMENSIONS IN THE FIELD BEFORE COMMENCING CONSTRUCTION.
- ALL INTERIOR FINISHES SHALL COMPLY WITH SECTION 803. INTERIOR FINISH MATERIALS APPLIED TO WALL AND CEILINGS SHALL BE TESTED AS SPECIFIED IN SECTION 803.
 

FLAME SPREAD RATINGS:  
WALL TILE - CLASS A - <25  
WALL PAINT - CLASS A - <5  
PLASTIC LAMINATE - CLASS A - <25  
FRP PANELS - CLASS A - <25  
STAINLESS STEEL CORNER GUARDS - CLASS A - <25  
CEILING TILE - CLASS A - <25
- FIRE BLOCKING MUST BE PROVIDED IN ACCORDANCE WITH SECTION 718.2 AT THE FOLLOWING LOCATIONS:
  - IN CONCEALED SPACES OF STUD WALLS AND PARTITIONS, INCLUDING FURRED SPACES, AT THE CEILING AND FLOOR LEVELS.
  - IN CONCEALED SPACES OF STUD WALLS AND PARTITIONS, INCLUDING FURRED SPACES, AT 10-FOOT INTERVALS ALONG THE LENGTH OF THE WALL.
  - AT THE INTERCONNECTIONS BETWEEN CONCEALED VERTICAL AND HORIZONTAL SPACES SUCH AS OCCUR AT SOFFITS, DROP CEILINGS AND COVE CEILINGS.
  - IN CONCEALED SPACES BETWEEN STAIR STRINGERS AT THE TOP AND BOTTOM OF THE RUN AND BETWEEN STUDS ALONG AND IN LINE WITH THE RUN OF STAIRS IF THE WALL UNDER STAIRS IS UNFINISHED.
  - IN OPENINGS AROUND VENTS, PIPES, DUCTS, CHIMNEYS, FIREPLACES AND SIMILAR OPENINGS WHICH AFFORD A PASSAGE FOR FIRE AT CEILINGS AND FLOOR LEVELS, WITH NONCOMBUSTIBLE MATERIALS.



## GNICH ARCHITECTURE STUDIO

AN OREGON LIMITED LIABILITY COMPANY

1001 SE SANDY BLVD, SUITE 100  
PORTLAND, OR 97214  
V. 503.525.9079  
F. 503.241.7055  
WWW.GNICHARCH.COM

08.20.21  
JASON D GNICH  
ARC.00403468  
LICENSED ARCHITECT  
EXP. 10.31.21

## Project No: CO-0707

Dutch Bros Coffee - New Free-standing Store

7520 Falcon Market Place  
Falcon, CO 80831  
For: Dutch Bros Coffee  
110 SW 4th Street  
Grants Pass, OR 97126

DB2550-A1

ISSUED FOR PERMIT REVIEW: 08.20.2021

REV. DATE:	DESCRIPTION:

SHEET NUMBER:

FLOOR PLAN/ DETAILS/ SCHEDULES

SHEET NUMBER:

## A2.0

© 2021 DB Franchising USA, LLC