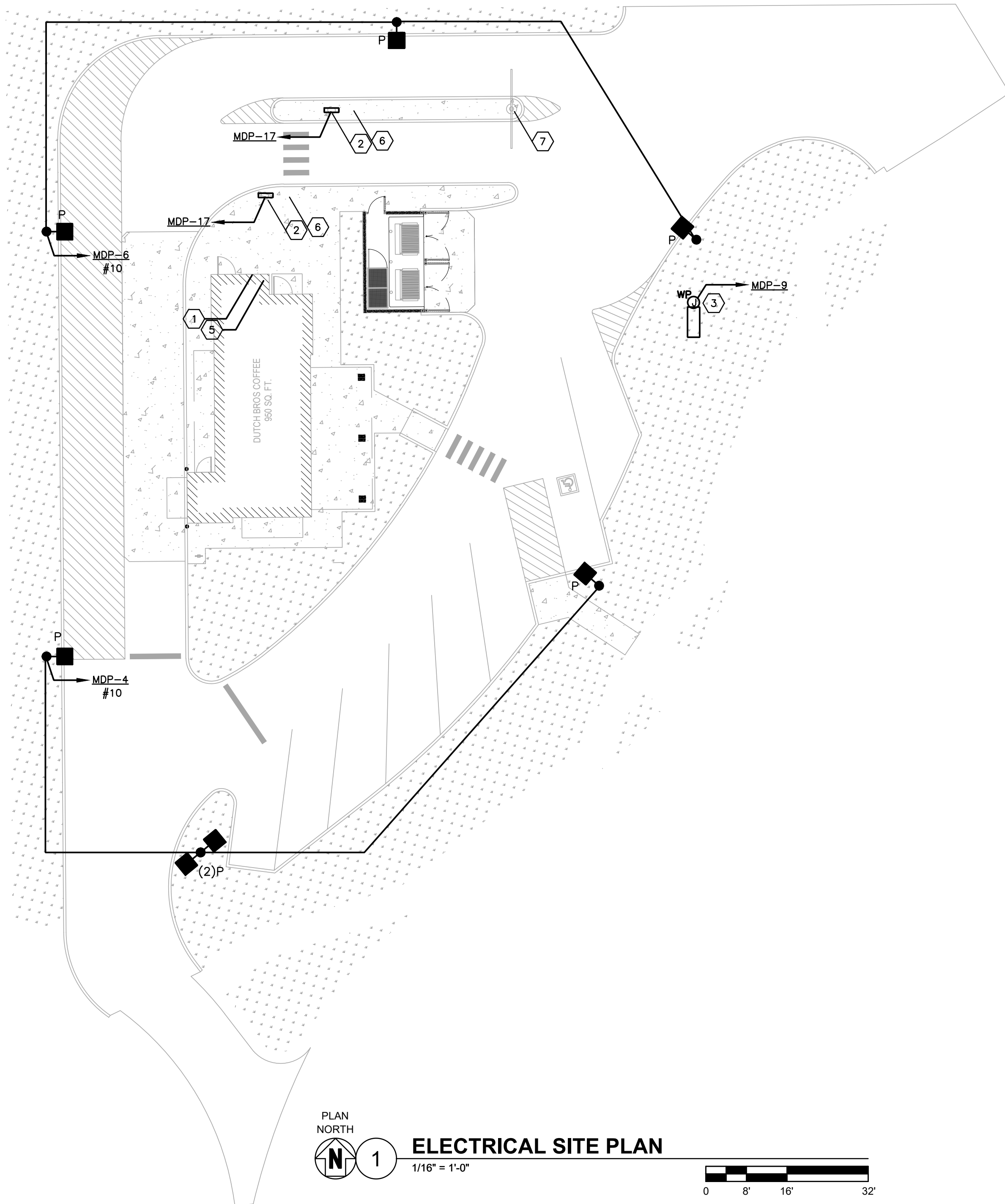


The name DUTCH BROS. and all associated logos, distinctive designs, content, information, and other materials featured, displayed, contained therein, and made available by Dutch Bros., including but not limited to, the "look and feel" of the establishments and products, all text, images, colors, configurations, graphics, designs, illustrations, photographs, and pictures (collectively, the "Materials") are owned by and/or licensed by DB Franchising USA, LLC.



PLAN NORTH
1
1/16" = 1'-0"
0 8' 16' 32'

KEYED NOTES

- 1 LOCATION OF UTILITY METER DISCONNECT SWITCH AND CT CABINET. REFER TO "RISER DIAGRAM" ON SHEET E3.01.
- 2 PROVIDE 120V ELECTRICAL CONNECTION WITH (2)#8 & (1)#8G. IN 2" PVC ROUTED BELOW GRADE FOR DRIVE-THRU BACKLIT MENU BOARD PER MANUFACTURER'S INSTRUCTIONS. CONDUIT SHALL COME UP IN CENTER OF POST. SIGN COMPANY REPRESENTATIVE TO GIVE EXACT LOCATIONS/DIMENSIONS FOR GC TO MATCH. CONTRACTOR SHALL REPAIR EXISTING PARKING SURFACES FROM TRENCHING TO MATCH PREVIOUS CONDITIONS.
- 3 PROVIDE 120V ELECTRICAL CONNECTION WITH (2)#8 & (1)#8G. IN 2" PVC ROUTED BELOW GRADE FOR NEW MONUMENT SIGN PER REPRESENTATIVE PRIOR TO ROUGH-IN. CONTRACTOR SHALL REPAIR EXISTING PARKING SURFACES FROM TRENCHING TO MATCH PREVIOUS CONDITIONS.
- 4 NOT USED.
- 5 LOCATION OF CABLE INTERNET DEMARC
- 6 PROVIDE 2" CONDUIT W/ PULL STRING 24" BEHIND MENU BOARD TO CHRISTY BOX FOR FUTURE DIGITAL MENU BOARD UPGRADE. COORDINATE W/ SIGN MANUFACTURER.
- 7 PROVIDE 2" CONDUIT W/ PULL STRING TO CHRISTY BOX BETWEEN "CHOOSE LANE" DIRECTIONAL SIGNAGE AND CLEARANCE BAR FOR FUTURE DRIVE THRU SENSORS.

SEE S1.4 FOR POLE BASE DETAIL

GENERAL NOTES

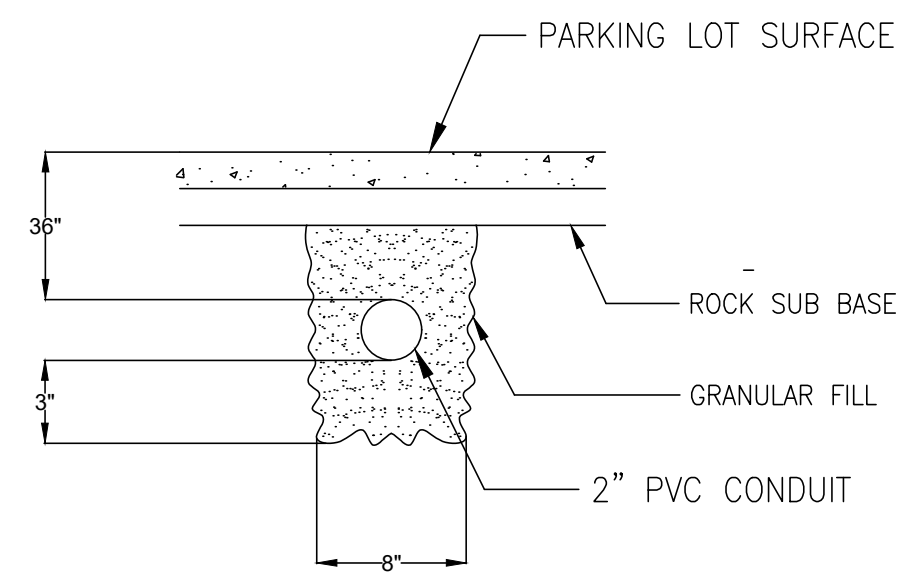
1. FOR UTILITY TRANSFORMER, TELEPHONE SERVICE, GAS, WATER, AND SANITARY SEWER LOCATIONS; SEE CIVIL SITE PLAN.
2. THE ELECTRICAL CONTRACTOR IS RESPONSIBLE FOR COORDINATION AND COMPLIANCE WITH ALL UTILITY COMPANIES REQUIREMENTS. INCOMING POWER AND TELEPHONE SERVICES IS EXISTING TO REMAIN. VERIFY REQUIREMENTS WITH UTILITIES PRIOR TO INSTALLATION.

SITE NOTES

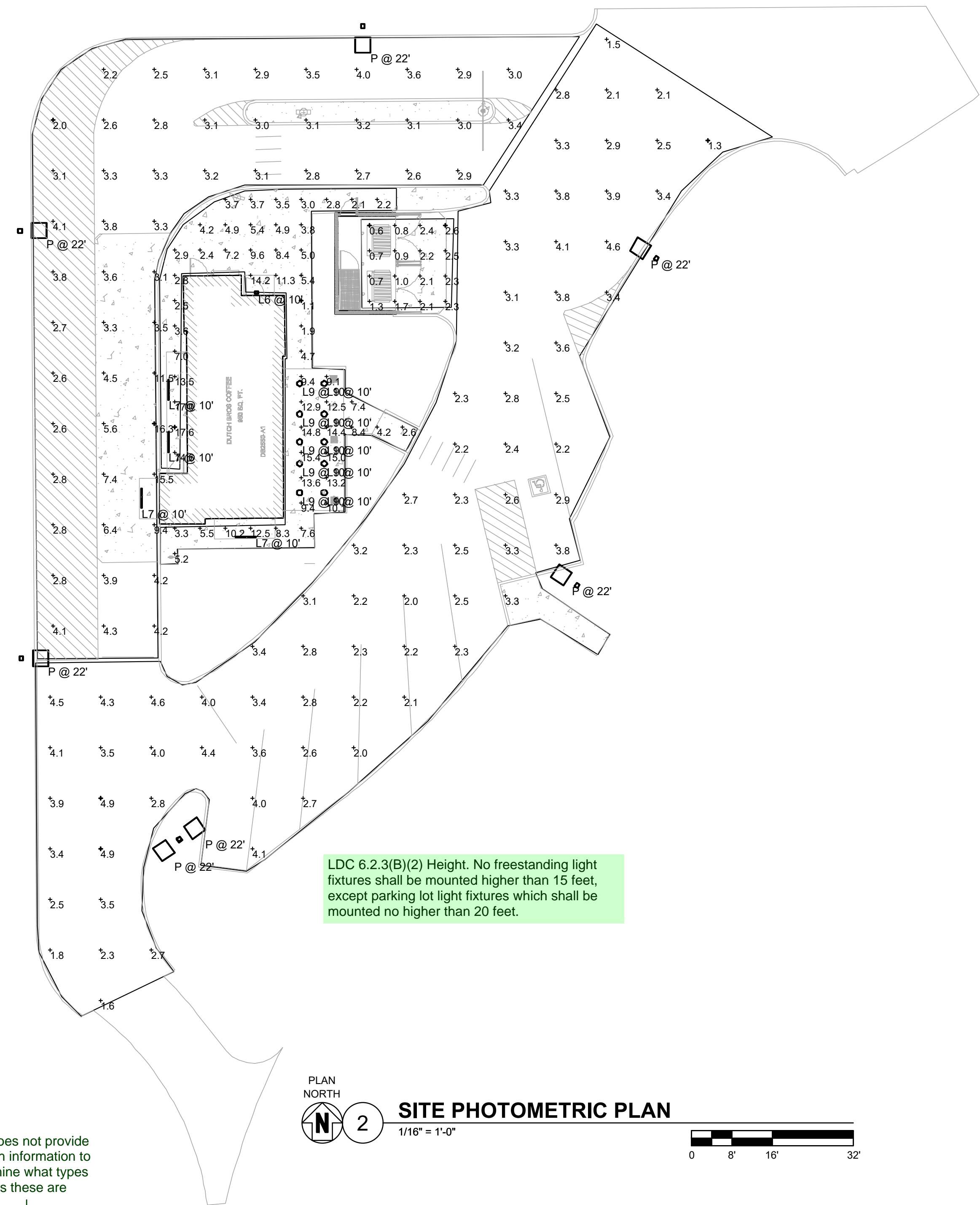
WATER LINES, CONDUITS FOR ELECTRICAL, OR OTHER UTILITIES SHALL BE LOCATED SO AS TO NOT CONFLICT WITH REQUIRED TREE LOCATIONS FOR STREETS AND PARKING LOTS.

This lighting plan does not show the footcandle at the property boundaries, but ends at the impervious surface. Please show all property boundaries and light measurement at property boundaries at no greater than 0.1 footcandle where adjacent to public right of way or residentially zoned property.

Please review Section 6.2.3 of the Land Development Code and ensure the proper information is provided. We need to know what types of lamps are being proposed and what styles of fixtures are being proposed.



3 TRENCHING DETAIL
SCALE: N.T.S.



PLAN NORTH
2
1/16" = 1'-0"
0 8' 16' 32'

LDC 6.2.3(B)(2) Height. No freestanding light fixtures shall be mounted higher than 15 feet, except parking lot light fixtures which shall be mounted no higher than 20 feet.

This does not provide enough information to determine what types of lights these are

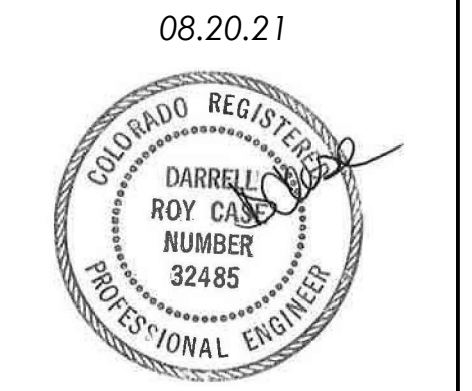
Symbol	Label	Quantity	Manufacturer	Catalog Number	Description	Number Lamps	Lumens Per Lamp	Light Loss Factor	Wattage
□	L6	1	RAB LIGHTING INC.	WPLED26-WPLED26/D10 (WALLPACK) - ALED26-ALED26/D10 (AREA LIGHTER)	CAST FINNED METAL HOUSING, MACHINED METAL HEAT SINK, 1 CIRCUIT BOARD WITH 1 LED, MOLDED PLASTIC REFLECTOR WITH SEMI-SPECULAR FINISH, CLEAR FLAT GLASS LENS IN CAST BROWN PAINTED METAL FRAME.	1	3474	0.92	30
	L7	4	Self	WPLED26-WPLED26/D10 (WALLPACK) - ALED26-ALED26/D10 (AREA LIGHTER)	CROWN-L90-277V 830_BA110	1	4200	0.92	40
○	L9	10	DMF LIGHTING	DRD55-4R-10930	DRD55-4R-10930	1	1015	0.92	11.8
□	P	7	NLS Lighting	NV-1T4-48L-140K-UNV-HSS	T4 OPTICS WITH BLACK HSS	1	9674	0.92	156

Description	Symbol	Avg	Max	Min	Max/Min	Avg/Min
Building	+	7.7 fc	17.6 fc	1.1 fc	16.0:1	7.0:1
Drive Thru	+	4.1 fc	16.3 fc	2.0 fc	8.2:1	2.1:1
Parking	+	3.0 fc	4.9 fc	1.3 fc	3.8:1	2.3:1
Trash	+	1.6 fc	2.6 fc	0.6 fc	4.3:1	2.7:1

CASE
Engineering Inc.
796 Menu Court
St. Louis, MO 63026
T 636.349.1600
F 636.349.1730



1001 SE SANDY BLVD, SUITE 100
PORTLAND, OR 97214
V. 503.552.9079
F. 503.241.7055
WWW.GNICHARCH.COM



Project No: CO-0707
Dutch Bros Coffee - New Freestanding Store
7520 Falcon Market Place
Falcon, CO 80831
For: Dutch Bros Coffee
110 SW 4th Street
Grants Pass, OR 97526
DB2550-A1

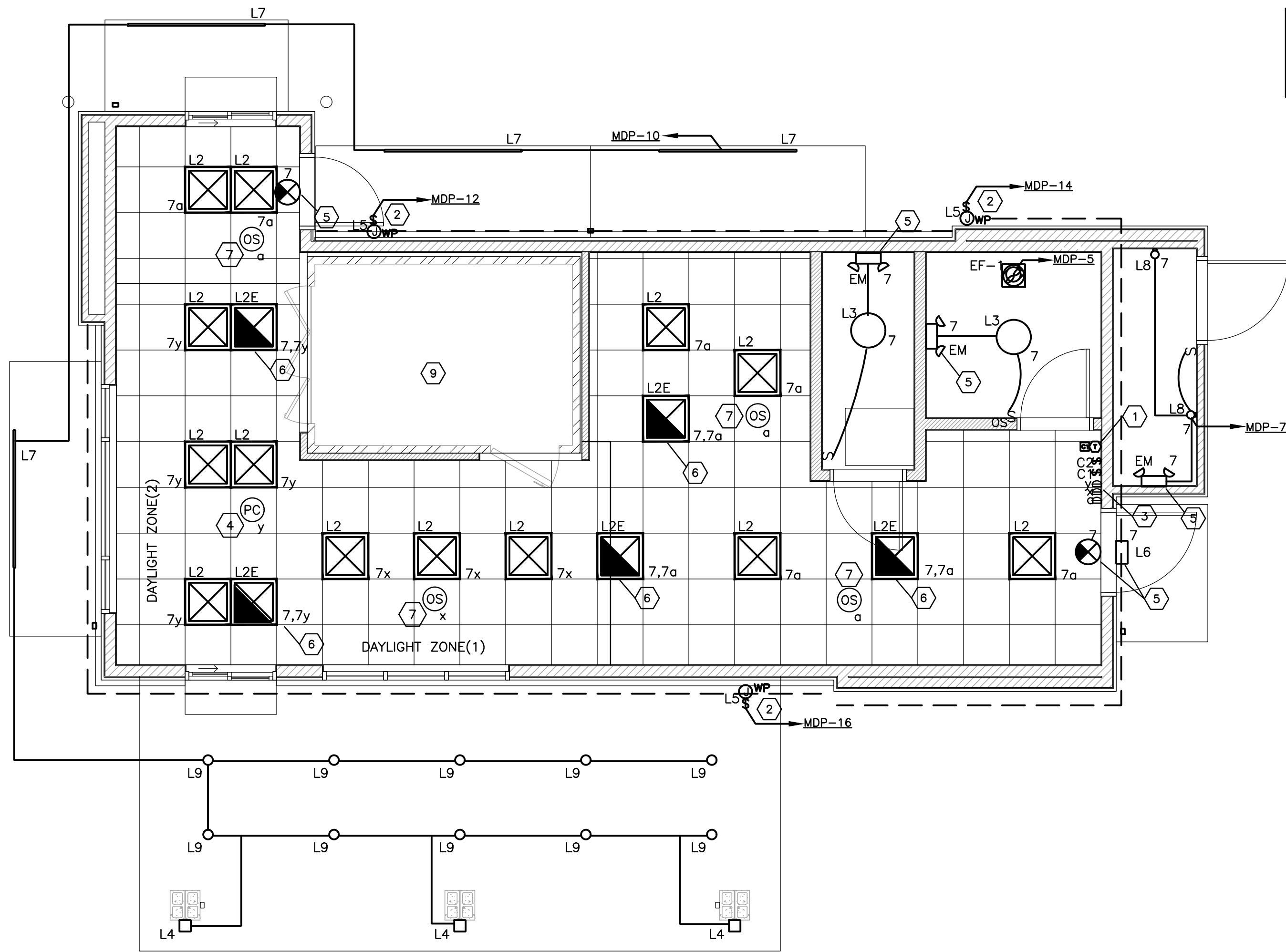
ISSUED FOR PERMIT REVIEW:
08.20.2021

REV. DATE:	DESCRIPTION:

SHEET NUMBER:
ELECTRICAL SITE & PHOTOMETRIC PLAN

SHEET NUMBER:
E0.01

The name DUTCHBROS and all associated logos, designs, information, and other materials featured, displayed, contained herein, and made available by Dutch Bros, including but not limited to the "look and feel" of the establishments and products, all text, images, colors, configurations, graphics, designs, illustrations, photographs, and pictures (collectively, the "Materials") are owned by and/or licensed by DB Franchising USA, LLC. All other intellectual property rights and/or information are the property of their respective owners. No part of this document may be reproduced, stored in a retrieval system, or transmitted in any form or by any means, electronic, mechanical, photocopying, recording, or by any information storage and retrieval system, without the prior written permission of DB Franchising USA, LLC.



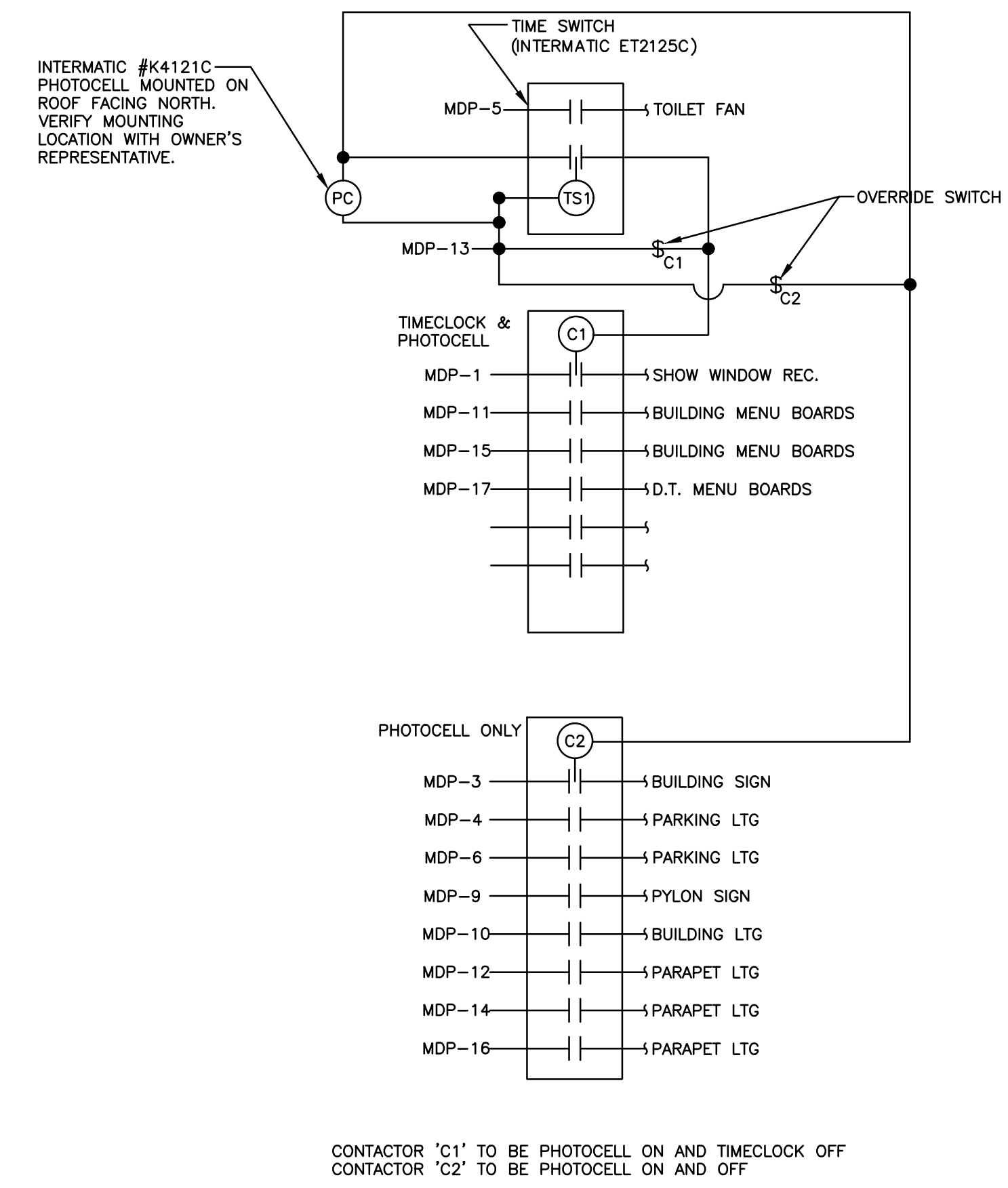
ELECTRICAL LIGHTING PLAN
 PLAN NORTH
 1
 1/4" = 1'-0"
 0 2' 4' 8'

ID	MANUFACTURER	MODEL #	LAMPS	VOLTAGE	WATTAGE	REMARKS
L2	EIKO	SLM22-4CB-40K-U/09764 MV, 0-10V DIM	LED	120/277	30W	2x2 FLAT PANEL, LAYIN GRID CEILING, FROSTED LENS, LED 30W, 3750LM, 4000K, 0-10V DIM
L2E	EIKO	SLM22-4CB-40K-U/09764 MV, 0-10V DIM	LED	120/277	30W	2x2 FLAT PANEL, LAYIN GRID CEILING, FROSTED LENS, LED 30W, 3750LM, 4000K, 0-10V DIM, EMERGENCY BATTERY PACK
L3	NUVO	26W/LED/15/RND/FLUSH/3K/WH-62-1191SP MV, 120V ELV DIM	LED	120/277	26W	16" DIA SURFACE J-BOX MOUNTED LED MILK-WHITE DIFFUSER, ROUND WHITE TRIM, 26W, 2000LM, 3000K ELV DIM
L4	TECH LIGHTING	700 OWVEX-9-3000K-4-H-UNV 120V NON-DIM	LED	120/277	19W	EXTERIOR LIGHT SCONCE, 5" SQUARE, 19W 600LM, 3000K, WET LOCATION, ADJUSTABLE UP/DOWN BEAM COLOR CHARCOAL
L5	LEKTRON	RIGID LED LASER/LEON LED SIMULATED NEON	LED	120/277	100W	RIGID SYSTEM BASED ON PHILIPS ADVANCED 100W, 24V OUTPUT LED DRIVER - LEDINTA024V4170 APPROX 118FT PER STORE, 24V, 1.5W/FT, LOCATED INSIDE OF BUILDING, ACCESSIBLE LOCATION, USE USE TRANSFORMER SIZES PER RUNS/WIRING GROUPS - DEFAULT 180W. COORDINATE WITH SIGN COMPANY. SEE CONTACTS ON COVER SHEET.
L6	RAB	WPLED-26-Y/ESP MV, NON-DIM	LED	120/277	40W	EXTERIOR DECORATIVE WALLPACK, APPROX 40W, 5000LM, 3000K, W/EMERGENCY BACK UP, NO MOTION SENSOR OR PHOTOCELL
L7	SELF	CROWN-70-40K-110-S-SSP	LED	120/277	60W	6" WET LOCATION LINKABLE BATTEN STRIP, LED, HIGH-OUTPUT, 60W, 6300LM, 4000K, INTEGRAL DRIVER
L8	NUVO	65-226 (CEILING MOUNT)	LED	120/277	13W	CEILING MOUNTED VAPOR PROOF FIXTURE, WITH GUARD, WILVER, LED, 13W, 850LM, 500K, WET LOCATION LISTED, FOR ELECTRICAL OR MECHANICAL ROOM.
L9	DMF LTG	DRD5S-4-R	LED	120/277	12W	4" ROUND CANOPY DOWNLIGHT
P	IMPERIAL LTG	NV-1-T4-48L-1-40K-UNV-HSS WITH FSP-211 MOTION SENSOR & HOUSE SIDE SHIELD	LED	120/277	156W	SITE POLE HEAD, LED 156W, 9674LM, 4000K, DARK BRONZE, TYPE II DISTRIBUTION, WITH 17" POLE, VERIFY PER LOCAL REQUIREMENTS PRIOR TO ORDERING - WATTS/LUMENS, KELVIN LIGHT TEMPERATURE, TYPE DIST, MOUNTING CONFIG, SINGLE OR DOUBLE, COLOR AND HEIGHT DRILL HOLES IN POLES FOR HEADS IF REQUIRED IN FIELD VERIFY COLOR/HEIGHT BEFORE ORDERING.
X	BEST	EZXTEU2RWEM MV,NON DIM, 4W	LED	120/277	30W	EXIT, SELF POWERED SINGLE/DOUBLE FACE, UNIVERSAL MOUNT, LED, RED ON WHITE, VERIFY COLORS
EM	LITHONIA	ELM2-LED-W	LED	120/277	1.8W	BUG EYE LED UNIT WITH WHITE FINISH.

- A. INSTALLATION OF LIGHT FIXTURES SHALL BE ACCORDING TO MANUFACTURER'S RECOMMENDATIONS AND APPLICABLE CODE REQUIREMENTS.
- B. VERIFY THE EXACT MOUNTING HEIGHT AND FINISH OF ALL LIGHTING FIXTURES WITH ARCHITECT PRIOR TO PLACING ORDER OR COMMENCING ROUGH-IN.
- C. LIGHT FIXTURES SHALL BE PROVIDED BY THE ELECTRICAL CONTRACTOR.
- D. ALL MEANS OF EGRESS LIGHTING AND EXIT SIGNS SHALL HAVE A MINIMUM OF 90 MINUTES BACKUP POWER.

PERIMETER LIGHT NOTE:
 L5 - LED STRIP LIGHTING AT PERIMETER OF PARAPET 2, APPROX 118FT. RUN

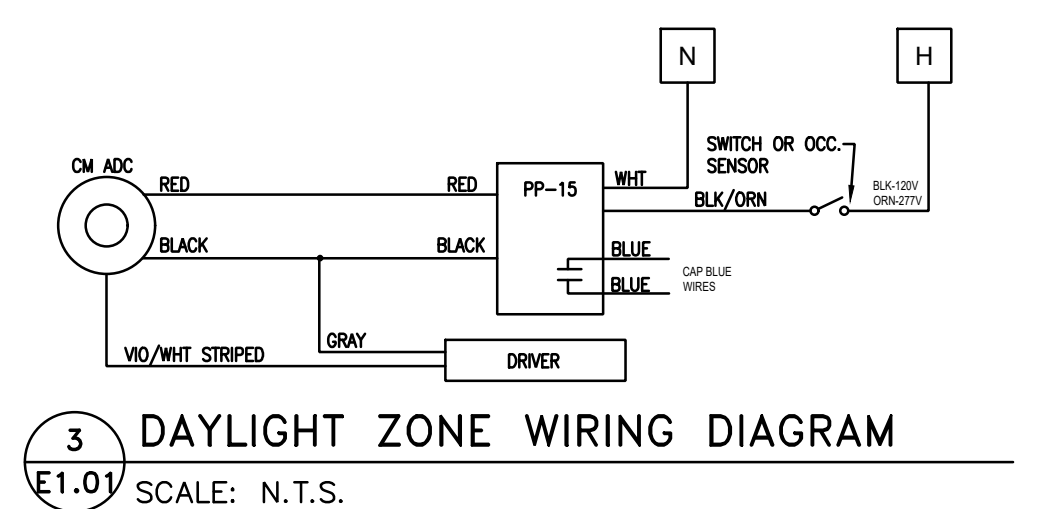
- KEYED NOTES**
- 1 LIGHTING CONTACTORS AND TIMECLOCK OVERRIDE SWITCH. REFER TO "LIGHTING CONTROL DIAGRAM" ON THIS SHEET. COORDINATE LOCATION WITH OWNER'S REPRESENTATIVE PRIOR TO ROUGH-IN.
 - 2 POWER FOR PARAPET LIGHTING DRIVER. EC TO COORDINATE WITH LEKTRON FOR TRANSFORMER LOCATIONS.
 - 3 LIGHTING CONTROL SWITCHBANK. LOCATION BY BACK DOOR.
 - 4 PROVIDE "SENSOR SWITCH" CM ADC AUTOMATIC DAYLIGHTING PHOTOCELL AND PP-15 POWER PACK. SEE DETAIL #3 THIS SHEET.
 - 5 EC TO CONNECT EMERGENCY BATTERY DRIVER, EXIT SIGNS, AND NL TO UNSWITCHED LEG OF LOCAL CIRCUIT INDICATED.
 - 6 EC TO CONNECT FIXTURE LED DRIVER TO SWITCHED LEG OF CIRCUIT AND EMERGENCY BATTERY DRIVER TO UNSWITCHED LEG OF CIRCUIT. EMERGENCY BATTERY DRIVER ARE SHIPPED SEPARATELY AND ARE TO BE FIELD INSTALLED AND CONNECTED BY EC.
 - 7 EC TO PROVIDE AQUITY BRANDS LOW VOLTAGE DUAL TECHNOLOGY CEILING MOUNTED OCCUPANCY SENSOR SWITCH CM-PDT9 & PP-15 POWER PACK. SENSOR SHALL ENERGIZE SWITCH FOR LOCAL CONTROL WHERE REQUIRED.
 - 8 EC TO PROVIDE EXTERIOR OCCUPANCY SENSOR LISTED FOR OUTDOOR USE. COMPATIBLE WITH CANOPY LUMINAIRES FOR AUTOMATIC DIMMING CONTROLS PER C130.2(c)3. SENSOR SHALL BE CAPABLE OF AUTOMATICALLY REDUCING LIGHTING BY 40% WHEN AREA IS UNOCCUPIED AND NO MORE THAN 90% WHEN OCCUPIED.
 - 9 SEE KEYED NOTE #5 ON SHEET E2.01 FOR WALK-IN COOLER LIGHTING REQUIREMENTS. LIGHTING FIXTURES THAT ARE FURNISHED LOOSE BY THE WALK-IN MANUFACTURER SHALL BE INSTALLED AND CONNECTED BY THE EC IN ACCORDANCE WITH WALK-IN MANUFACTURERS REQUIREMENTS.



2 LIGHTING CONTROL DIAGRAM
 E1.01 SCALE: N.T.S.

- LIGHTING GENERAL NOTES**
- A. CONNECT EXIT SIGNS, EMERGENCY AND NIGHT LIGHTS TO AN UNSWITCHED LIGHTING CIRCUIT, NOT CONTROLLED BY ANY OCCUPANCY SENSORS, SWITCHES OR CONTACTORS.
 - B. PROVIDE A DEDICATED NEUTRAL WITH ALL DIMMING SYSTEM CIRCUITS. NO COMMON NEUTRALS SHALL BE ALLOWED.
 - C. REFER TO ARCHITECTURAL REFLECTED CEILING PLAN AND DETAILS FOR THE EXACT LOCATION OF ALL LIGHTING FIXTURES AND ANY OTHER EQUIPMENT INSTALLED IN THE CEILING SYSTEM. VERIFY EXACT MOUNTING HEIGHTS AND FINISHES WITH ARCHITECT PRIOR TO ROUGH-IN.
 - D. REFER TO THE POWER PLANS FOR LOCATIONS OF ELECTRICAL EQUIPMENT.
 - E. PROVIDE TWO ADDITIONAL #12 CONDUCTORS FOR ALL 0-10V DIMMING CIRCUITS.
 - F. 15" MIN TO BOTTOM OF ALL ROUGH-IN BOXES FOR USER CONTROLLED SWITCHES, OUTLETS ETC. AND 48" MAX TO TOP OF ROUGH-IN BOX.
 - G. 48" TO TOP OF ROUGH-IN BOX.

SYMBOL	DESCRIPTION
A-1	HOME RUN TO PANEL. CIRCUIT NUMBERS, PHASE, NEUTRAL AND GROUND CONDUCTORS INDICATED ALONG WITH ISOLATED GROUND CONDUCTOR IF APPLICABLE
A-1	PARTIAL CIRCUIT
S	SINGLE POLE SWITCH, +3'-10" OR AS NOTED
S2	DOUBLE POLE, SINGLE THROW SWITCH, +3'-10" OR AS NOTED
S3	THREE-WAY SWITCH, +3'-10" OR AS NOTED
D	DIMMER, +3'-10" OR AS NOTED
SOS	WALL MOUNTED OCCUPANCY SENSOR, +3'-10" OR AS NOTED
SRO	WALL MOUNTED OCCUPANCY SENSOR, +3'-10" OR AS NOTED, CONTROLLED BY ROOM CONTROLLER
OS	CEILING MOUNTED OCCUPANCY SENSOR
RO	CEILING MOUNTED OCCUPANCY SENSOR, CONTROLLED BY ROOM CONTROLLER
PS	CEILING MOUNTED INTERIOR DAYLIGHT HARVESTING PHOTOCELL SENSOR CONTROLLED BY ROOM CONTROLLER
PP	POWER PACK, INSTALLED ABOVE ACCESSIBLE CEILING
DR	DUPLEX RECEPTACLE, +18" OR AS NOTED
DFI	GFI DUPLEX RECEPTACLE +18" OR AS NOTED
Q	QUADPLEX RECEPTACLE, +18" OR AS NOTED
GF	GFI QUADPLEX RECEPTACLE, +18" OR AS NOTED
GI	GROUND FAULT INTERRUPTING RECEPTACLE, +18" OR AS NOTED
W	WEATHERPROOF GROUND FAULT INTERRUPTING RECEPTACLE, +18" OR AS NOTED
SR	SPECIAL RECEPTACLE, NEMA STYLE AS NOTED, +18" OR AS NOTED
SC	USB CHARGING DUPLEX RECEPTACLE, +18" OR AS NOTED
CLG	RECEPTACLE INSTALLED FLUSH IN CEILING
ISIGN	SWITCHED RECEPTACLE FOR INTERIOR SIGNAGE, +100" OR AS NOTED, LABEL RECEPTACLE ACCORDINGLY
IPTY	SWITCHED RECEPTACLE FOR PARTY LIGHTS, +100" OR AS NOTED, LABEL RECEPTACLE ACCORDINGLY
J	JUNCTION BOX
DS	DISCONNECT SWITCH, TOP AT +6'-0" OR AS NOTED
DS2	DISCONNECT SWITCH PROVIDE WITH EQUIPMENT
L	LIGHTING CONTACTOR, INSTALLED AS NOTED
T	TIME CLOCK, +6'-2" OR AS NOTED
P	EXTERIOR PHOTOCELL, INSTALLED ON ROOF FACING NORTH
RLC	ROOM CONTROLLER
PLC	PLUG LOAD CONTROLLER
ED	ELECTRICALLY OPERATED DAMPER, PROVIDED BY MECHANICAL CONTRACTOR, WIRE BY ELECTRICAL CONTRACTOR
TSCH	THERMOSTAT, TEMPERATURE SENSOR, CARBON DIOXIDE SENSOR AND HUMIDISTAT PROVIDED BY MECHANICAL CONTRACTOR, +3'-10" OR AS NOTED
PSH	PUSHBUTTON, TOP AT +4'-6" OR AS NOTED
DB	DOOR BELL CHIME, +8'-0" OR AS NOTED
DA	TELEPHONE/DATA OUTLET, +18" WITH 1" CONDUIT TO ABOVE CEILING
DA2	DATA OUTLET, +18" WITH 3/4" CONDUIT TO ABOVE CEILING
+48"	MOUNTING HEIGHT ABOVE FINISHED FLOOR TO CENTERLINE OF DEVICE
TYP.	TYPICAL
FACP	FIRE ALARM CONTROL PANEL, FLUSH MOUNTED, TOP AT +6'-0"
F1	MANUAL FIRE ALARM PULL STATION, +3'-10" PER ADA
F2	FIRE ALARM HORN/STROBE, +80" TO BOTTOM OF DEVICE PER ADA
F3	EXTERIOR WEATHERPROOF FIRE ALARM HORN, +10'-0" AFG
F4	STROBE ONLY, +80" TO BOTTOM OF DEVICE PER ADA
F5	FIRE ALARM HORN/STROBE, CEILING MOUNTED
F6	STROBE ONLY, CEILING MOUNTED
SD	AREA TYPE PHOTOELECTRIC SMOKE DETECTOR WITH SAMPLING TUBES AND REMOTE INDICATOR LIGHT MOUNTED FLUSH IN CEILING BELOW DETECTOR

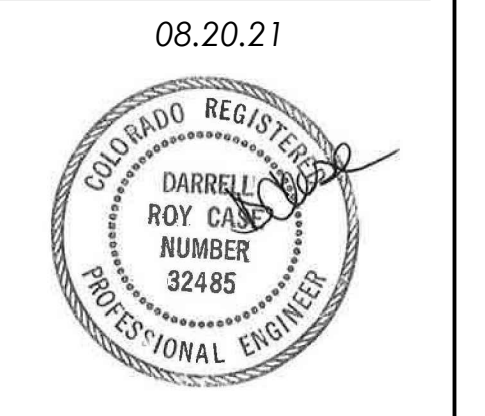


3 DAYLIGHT ZONE WIRING DIAGRAM
 E1.01 SCALE: N.T.S.

CASE Engineering Inc.
 796 Mens Court
 St. Louis, MO 63026
 T 636.349.1600
 F 636.349.1730



1001 SE SANDY BLVD, SUITE 100
 PORTLAND, OR 97214
 V. 503.552.9079
 F. 503.241.7055
 WWW.GNICHARCH.COM



Project No: CO-0707
 Dutch Bros Coffee - New Freestanding Store
 7320 Falcon Market Place
 Falcon, CO 80831
 For: Dutch Bros Coffee
 110 SW 4th Street
 Grants Pass, OR 97526

ISSUED FOR PERMIT REVIEW:
 08.20.2021

REV#	DATE	DESCRIPTION

SHEET NAME:
 LIGHTING PLAN
 SHEET NUMBER:
E1.01
 ©2021 DB Franchising USA, LLC