

UTILITY CONTACTS:

WATER — MERIDIAN SERVICE METROPOLITAN DISTRICT
 POC: KEVIN FACKERELL
 (719)-495-6567

SANITARY SEWER — MERIDIAN SERVICE METROPOLITAN DISTRICT
 POC: BRADEN McCORRY
 (719)-495-6567

DRAINAGE — EL PASO COUNTY DSD/INSPECTIONS
 (719)-520-6300

DRAINAGE — MERIDIAN SERVICE METROPOLITAN DISTRICT
 POC: TOM KERBY
 (719)-495-7444

GAS — BLACK HILLS ENERGY
 (719)-393-6625

ELECTRIC — MOUNTAIN VIEW ELECTRIC ASSOC.
 (719)-495-2283

GEOTECHNICAL ENGINEER — ENTECH ENGINEERING, INC.
 (719)-531-5599

FALCON FIRE PROTECTION DISTRICT
 (719) 495-4050

CAUTION - NOTICE TO CONTRACTOR

THE CONTRACTOR IS SPECIFICALLY CAUTIONED THAT THE LOCATION AND/OR ELEVATION OF EXISTING UTILITIES AS SHOWN ON THESE PLANS IS BASED ON RECORDS OF THE VARIOUS UTILITY COMPANIES AND, WHERE POSSIBLE, MEASUREMENTS TAKEN IN THE FIELD. THE INFORMATION IS NOT TO BE RELIED ON AS BEING EXACT OR COMPLETE. THE CONTRACTOR MUST CALL THE LOCAL UTILITY LOCATION CENTER AT LEAST 48 HOURS BEFORE ANY EXCAVATION TO REQUEST EXACT FIELD LOCATIONS OF UTILITIES. IT SHALL BE THE RESPONSIBILITY OF THE CONTRACTOR TO RELOCATE ALL EXISTING UTILITIES WHICH CONFLICT WITH THE PROPOSED IMPROVEMENTS SHOWN ON THE PLANS.

LEGAL DESCRIPTION:

KNOW ALL MEN BY THESE PRESENTS: THAT GTL, INC. DBA GTL DEVELOPMENT, INC., THEODORE TCHANG, PRESIDENT AND MERIDIAN SERVICE METROPOLITAN BEING THE OWNERS OF THE FOLLOWING DESCRIBED TRACT OF LAND:

A PARCEL OF LAND LOCATED IN A PORTIONS OF SECTION 29, 30, AND 32, IN TOWNSHIP 12 SOUTH, RANGE 64 WEST OF THE 6TH PRINCIPAL MERIDIAN, MORE PARTICULARLY DESCRIBED AS FOLLOWS:

BEGINNING AT A POINT ON THE SOUTHERNMOST CORNER OF TRACT D OF STONEBRIDGE FILING NO. 1 AT MERIDIAN RANCH, RECORDED WITH RECEPTION NO. 215713582 IN THE RECORDS OF EL PASO COUNTY;

THE FOLLOWING SEVEN(7) COURSES ARE ON SAID SOUTHERLY LINE OF TRACT D:

1. THENCE N76°25'11"E A DISTANCE OF 375.00 FEET;
2. THENCE N13°42'24"E A DISTANCE OF 350.00 FEET;
3. THENCE N56°18'54"E A DISTANCE OF 150.00 FEET;
4. THENCE S84°02'15"E A DISTANCE OF 300.00 FEET;
5. THENCE N61°01'20"E A DISTANCE OF 300.00 FEET;
6. THENCE N44°00'02"E A DISTANCE OF 520.00 FEET;
7. THENCE N56°12'41"E A DISTANCE OF 333.23 FEET;
8. THENCE N24°26'21"E A DISTANCE OF 81.83 FEET;
9. THENCE N66°06'02"E A DISTANCE OF 600.00 FEET;
10. THENCE S85°52'49"E A DISTANCE OF 400.00 FEET;
11. THENCE S61°19'51"E A DISTANCE OF 500.00 FEET;
12. THENCE S83°50'41"E A DISTANCE OF 410.00 FEET;
13. THENCE S23°25'11"W A DISTANCE OF 140.26 FEET;
14. THENCE S09°37'54"E A DISTANCE OF 190.96 FEET;
15. THENCE S55°38'05"E A DISTANCE OF 290.90 FEET;
16. THENCE S51°08'09"E A DISTANCE OF 310.00 FEET;
17. THENCE S69°57'07" A DISTANCE OF 317.66 FEET TO A POINT ON THE WESTERN BOUNDARY OF THE VISTAS FILING NO. 1 AT MERIDIAN RANCH, RECORDED WITH RECEPTION NO. 217713953 IN THE RECORDS OF EL PASO COUNTY, AND A NON-TANGENT CURVE TO THE RIGHT;

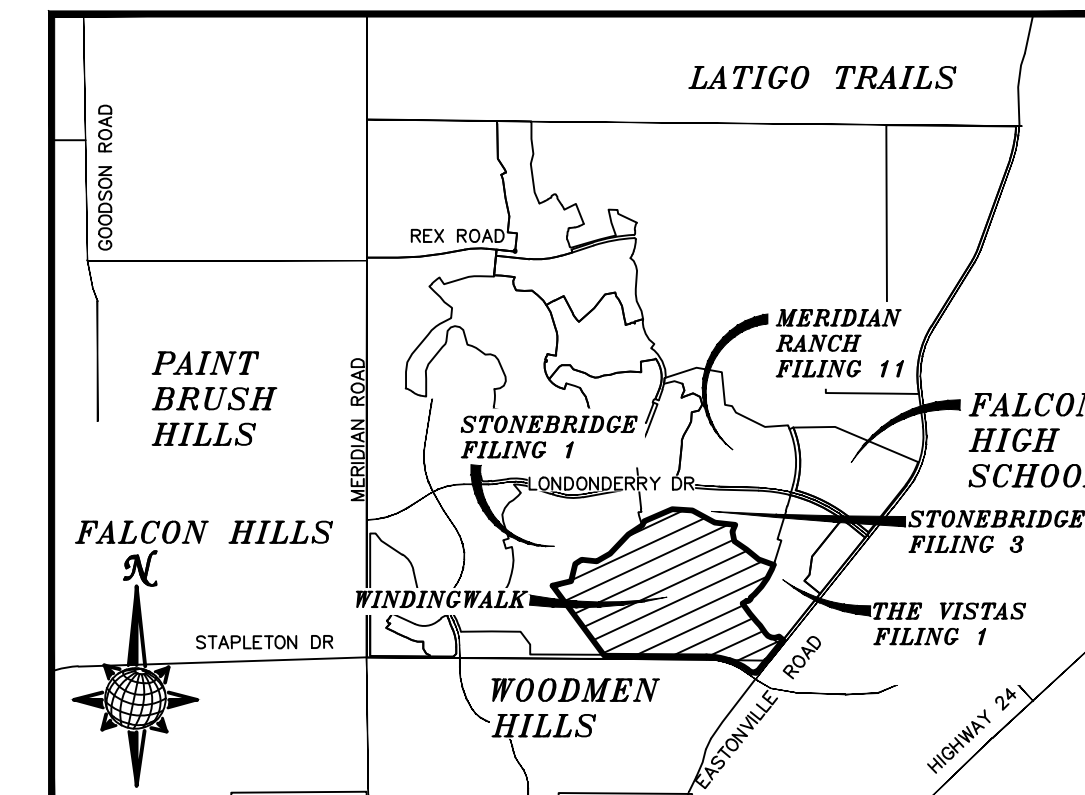
THE FOLLOWING THIRTEEN(13) COURSES ARE ON SAID BOUNDARY LINE:

21. THENCE ON THE ARC OF SAID CURVE, HAVING A RADIUS OF 1540.00 FEET, A DELTA ANGLE OF 39°36'05", AN ARC LENGTH OF 795.63 FEET, WHOSE LONG CHORD BEARS S34°50'56"W A DISTANCE OF 786.81 FEET;
22. THENCE S05°49'18"W A DISTANCE OF 31.52 FEET;
23. THENCE S51°35'04"W A DISTANCE OF 60.00 FEET;
24. THENCE N82°39'10"W A DISTANCE OF 31.52 FEET TO A NON-TANGENT CURVE TO THE RIGHT;
25. THENCE ON THE ARC OF SAID CURVE, HAVING A RADIUS OF 1540.00 FEET, A DELTA ANGLE OF 03°34'52", AN ARC LENGTH OF 96.25 FEET, WHOSE LONG CHORD BEARS S55°18'35"W A DISTANCE OF 96.24 FEET;
26. THENCE S32°53'59"E A DISTANCE OF 20.55 FEET;
27. THENCE S35°51'09"E A DISTANCE OF 223.61 FEET;
28. THENCE S39°48'46"E A DISTANCE OF 205.06 FEET;
29. THENCE S41°08'31"E A DISTANCE OF 105.12 FEET;
30. THENCE S35°41'22"E A DISTANCE OF 105.12 FEET;
31. THENCE S35°16'51"E A DISTANCE OF 70.00 FEET;
32. THENCE S41°20'14"E A DISTANCE OF 75.00 FEET;
33. THENCE S63°46'18"E A DISTANCE OF 75.00 FEET;
34. THENCE S86°32'17"E A DISTANCE OF 75.00 FEET;
35. THENCE N73°48'47"E A DISTANCE OF 81.73 FEET;
36. THENCE S51°15'02"E A DISTANCE OF 101.93 FEET TO A POINT ON THE EASTERN BOUNDARY OF SAID VISTAS FILING NO. 1 AT MERIDIAN RANCH AND THE WESTERLY RIGHT-OF-WAY LINE OF EASTONVILLE ROAD;
37. THENCE S38°44'41"W ALONG SAID LINES A DISTANCE OF 110.22 FEET TO THE SOUTH EAST CORNER OF SAID VISTAS FILING NO. 1 AT MERIDIAN RANCH;
38. THENCE S38°44'41"W ALONG SAID EASTONVILLE RIGHT-OF-WAY A DISTANCE OF 408.79 FEET;
39. THENCE N89°23'27"W A DISTANCE OF 12.73 FEET TO THE NORTHEAST CORNER OF TRACT F OF THE METROPOLITAN CLUB RECORDED WITH RECEPTION NO. 208712913 IN THE RECORDS OF EL PASO COUNTY;

ROUGH GRADING FOR WINDINGWALK AT MERIDIAN RANCH

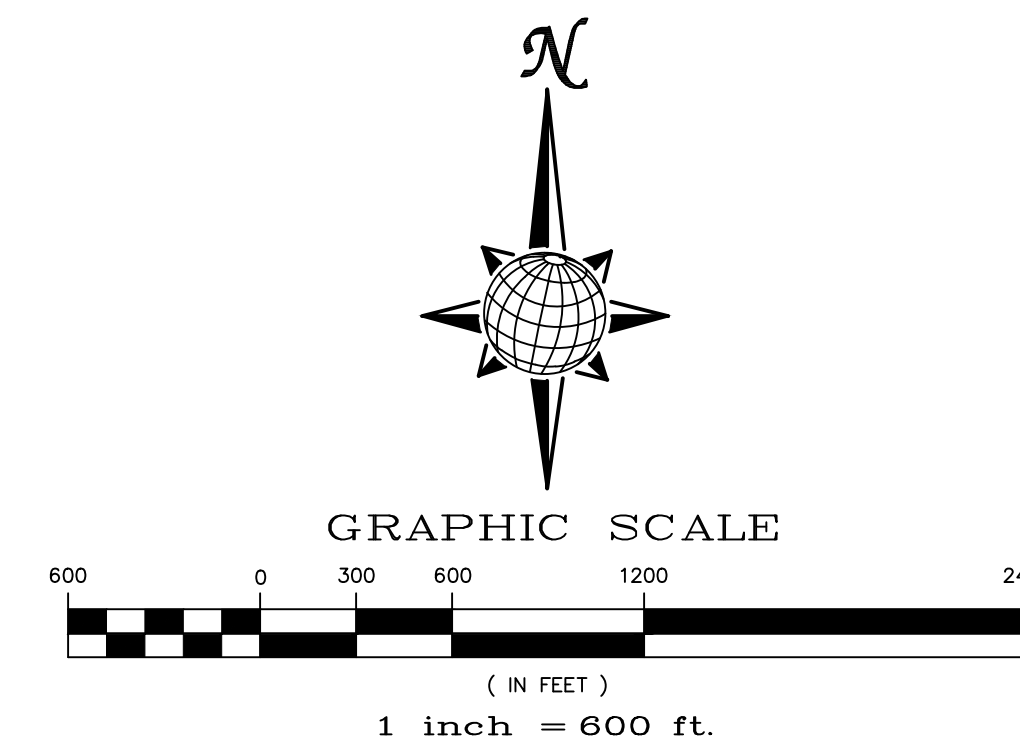
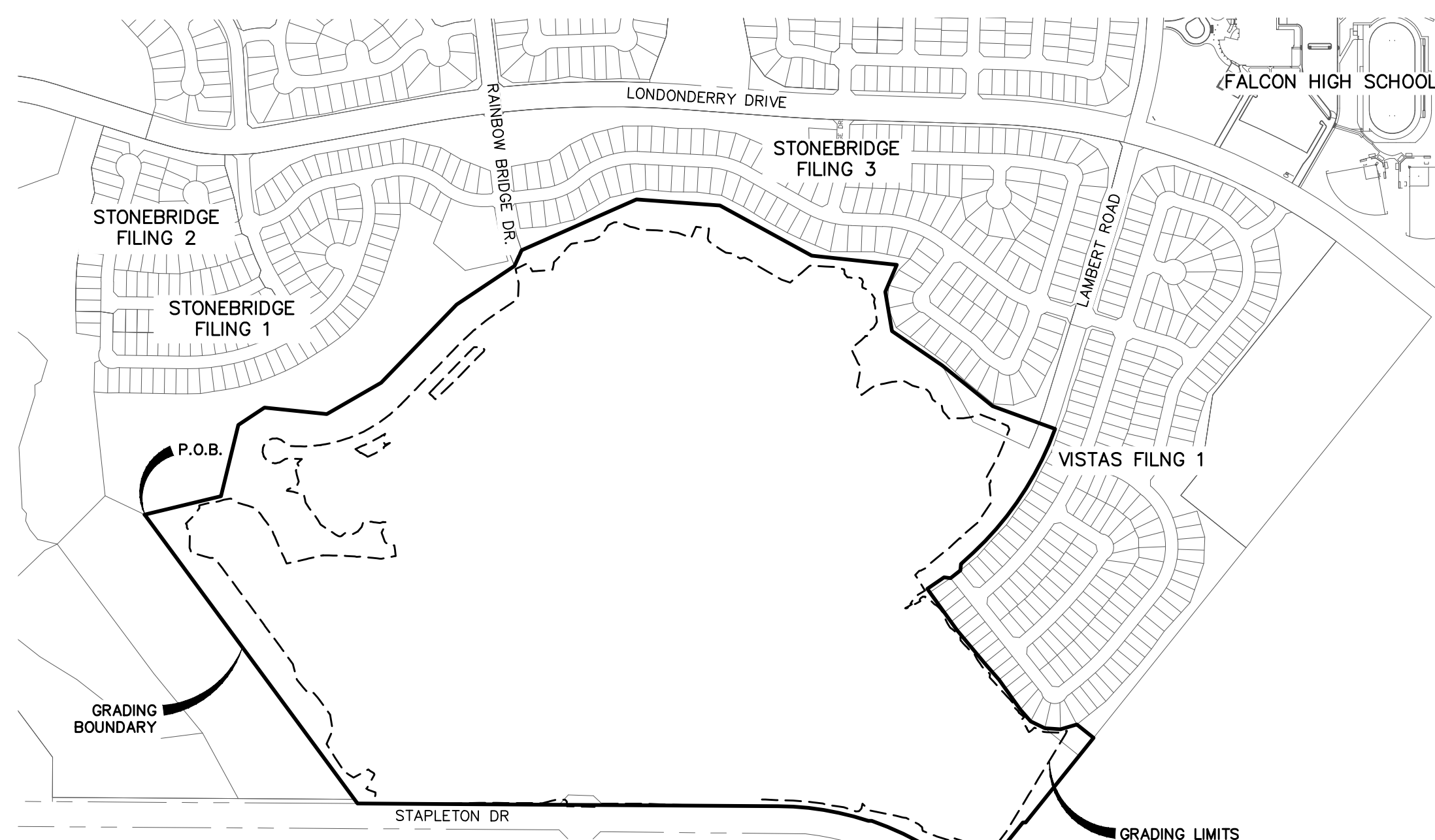
PREPARED FOR GTL, INC. DBA GTL DEVELOPMENT, INC.

A PARCEL OF LAND LOCATED IN A PORTION OF SECTIONS 29, 30, AND 32, IN TOWNSHIP 12 SOUTH, RANGE 64 WEST OF THE 6TH PRINCIPAL MERIDIAN, EL PASO COUNTY, STATE OF COLORADO.



VICINITY MAP N.T.S.

SHEET	SHEET INDEX
1	COVER SHEET
2	INDEX SHEET
3-15	LAYOUT SHEETS
16-22	DETAIL SHEETS



THE FOLLOWING SIX(6) COURSES ARE ON SAID TRACT LINE:

40. THENCE S38°47'27"W A DISTANCE OF 315.49 FEET;
41. THENCE N51°12'33"W A DISTANCE OF 21.28 FEET;
42. THENCE S38°47'27"W A DISTANCE OF 1.03 FEET;
43. THENCE S80°17'18"W A DISTANCE OF 55.16 FEET TO A POINT ON THE NORTHERLY RIGHT-OF-WAY LINE OF STAPLETON DRIVE;
44. THENCE N54°42'42"W ON SAID NORTHERLY RIGHT-OF-WAY A DISTANCE OF 113.89 FEET TO A CURVE TO THE LEFT;
45. THENCE ON THE ARC OF SAID CURVE, HAVING A RADIUS OF 1415.00 FEET, A DELTA ANGLE OF 16°26'49", AN ARC LENGTH OF 406.18 FEET, WHOSE LONG CHORD BEARS N62°55'59"W A DISTANCE OF 404.78 FEET;
46. THENCE N89°25'42"W A DISTANCE OF 16.24 FEET TO A NON-TANGENT CURVE TO THE LEFT;
47. THENCE ON THE ARC OF SAID CURVE, HAVING A RADIUS OF 1410.00 FEET, A DELTA ANGLE OF 17°51'47", AN ARC LENGTH OF 439.60 FEET, WHOSE LONG CHORD BEARS N80°43'00"W A DISTANCE OF 437.82 FEET;
48. THENCE N89°38'53"W A DISTANCE OF 2010.65 FEET TO A POINT ON THE SOUTHEAST CORNER OF TRACT F, MERIDIAN RANCH FILING NO. 1 RECORDED WITH RECEPTION NO. 203036466 IN THE RECORDS OF EL PASO COUNTY;
49. THENCE N36°20'59"W ON SAID TRACT LINE A DISTANCE OF 24.74 FEET TO A POINT ON THE SOUTHEAST CORNER OF TRACT G, STONEBRIDGE FILING NO. 1 AT MERIDIAN RANCH, RECORDED WITH RECEPTION NO. 215713582 IN THE RECORDS OF EL PASO COUNTY;
50. THENCE N36°20'59"W ON SAID TRACT LINE A DISTANCE OF 1691.39 FEET TO THE POINT OF BEGINNING.

THE ABOVE PARCEL OF LAND CONTAINS 207.351 ACRES, MORE OR LESS.

Remove these two signature blocks. The Developers Statement is sufficient.

OWNERS STATEMENT:

OWNERS STATEMENT:

THE UNDERSIGNED OWNER HAS READ AND WILL COMPLY WITH ALL OF THE REQUIREMENTS SPECIFIED IN THESE CONSTRUCTION PLANS AND THE ACCOMPANYING DRAINAGE REPORT.

RAUL GUZMAN, VICE PRESIDENT
 GTL DEVELOPMENT, INC. _____ DATE _____

DEVELOPERS STATEMENT:

DEVELOPERS STATEMENT:

THE UNDERSIGNED DEVELOPER HAS READ AND WILL COMPLY WITH ALL OF THE REQUIREMENTS SPECIFIED IN THESE CONSTRUCTION PLANS AND THE ACCOMPANYING DRAINAGE REPORT.

RAUL GUZMAN, VICE PRESIDENT
 GTL DEVELOPMENT, INC. _____ DATE _____

DESIGN ENGINEER'S STATEMENT:

THESE DETAILED PLANS AND SPECIFICATIONS WERE PREPARED UNDER MY DIRECTION AND SUPERVISION. SAID PLANS AND SPECIFICATIONS HAVE BEEN PREPARED ACCORDING TO THE CRITERIA ESTABLISHED BY THE COUNTY FOR DETAILED ROADWAY, DRAINAGE, GRADING AND EROSION CONTROL PLANS AND SPECIFICATIONS, AND SAID DETAILED PLANS AND SPECIFICATIONS ARE IN CONFORMITY WITH APPLICABLE MASTER DRAINAGE AND MASTER TRANSPORTATION PLANS. SAID PLANS AND SPECIFICATIONS MEET THE PURPOSES FOR WHICH THE PARTICULAR ROADWAY AND DRAINAGE FACILITIES ARE DESIGNED AND ARE CORRECT TO THE BEST OF MY KNOWLEDGE AND BELIEF. I ACCEPT RESPONSIBILITY FOR ANY LIABILITY CAUSED BY ANY NEGLIGENT ACTS, ERRORS OR OMISSIONS ON MY PART IN PREPARATION OF THESE DETAILED PLANS AND SPECIFICATIONS.

THOMAS A. KERBY, P.E. #31429 _____ DATE _____

BASIS OF BEARING

BASIS OF BEARINGS FOR THIS DESCRIPTION IS THE SOUTH LINE OF THE SOUTHWEST QUARTER OF SECTION 29, T12S, R64W OF THE 6TH P.M., WHICH IS ASSUMED TO BEAR S89°25'42"E FROM THE SOUTHWEST CORNER OF SECTION 29 (A STONE W/SCRIBED "X") TO THE SOUTH QUARTER CORNER OF SECTION 29 (3.25" ALUM. CAP LS 30087).

BENCH MARK

- 1) MRRC1 — 3 1/4" ALUMINUM CAP ON NO.6 REBAR LOCATED AT THE NORTHEAST CORNER OF THE INTERSECTION OF LONDONDERRY DRIVE AND ANGELES ROAD. LOCATED AT THE SE CORNER OF THE MERIDIAN RANCH RECREATIONAL CENTER SIGN. ELEVATION — 7098.40'
- 2) MRMS1 — 3 1/4" ALUMINUM CAP ON NO.6 REBAR LOCATED ON THE WEST SIDE OF RAINBOW BRIDGE DRIVE 1,150 FEET NORTH OF LONDONDERRY DRIVE. LOCATED NEAR THE BACK OF SIDE WALK AT THE NW CORNER OF RAINBOW BRIDGE DRIVE AND THE NORTHERLY ENTRANCE TO MERIDIAN RANCH ELEMENTARY SCHOOL (10480 RAINBOW BRIDGE DRIVE). ELEVATION — 7099.73'

OWNERS STATEMENT:

OWNERS STATEMENT:

THE UNDERSIGNED OWNER HAS READ AND WILL COMPLY WITH ALL OF THE REQUIREMENTS SPECIFIED IN THESE CONSTRUCTION PLANS AND THE ACCOMPANYING DRAINAGE REPORT.

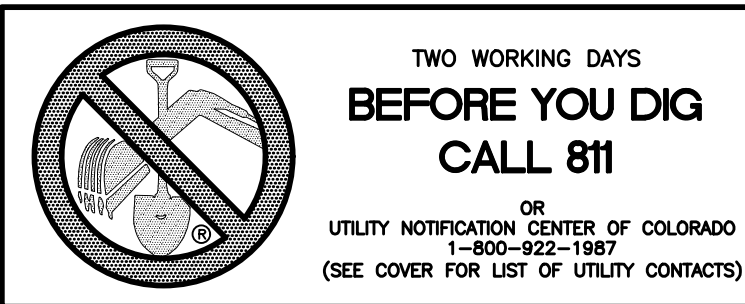
RAUL GUZMAN, VICE PRESIDENT
 MERIDIAN RANCH INVESTMENTS, INC. _____ DATE _____

EL PASO COUNTY:

COUNTY PLAN REVIEW IS PROVIDED ONLY FOR GENERAL CONFORMANCE WITH COUNTY DESIGN CRITERIA. THE COUNTY IS NOT RESPONSIBLE FOR THE ACCURACY AND ADEQUACY OF THE DESIGN, DIMENSIONS, AND/OR ELEVATIONS WHICH SHALL BE CONFIRMED AT THE JOB SITE. THE COUNTY THROUGH THE APPROVAL OF THIS DOCUMENT ASSUMES NO RESPONSIBILITY FOR COMPLETENESS AND/OR ACCURACY OF THIS DOCUMENT.

FILED IN ACCORDANCE WITH THE REQUIREMENTS OF THE EL PASO COUNTY LAND DEVELOPMENT CODE, DRAINAGE CRITERIA, AND ENGINEERING CRITERIA MANUAL AS AMENDED.

JENNIFER IRVINE, P.E.
 COUNTY ENGINEER / ECM ADMINISTRATOR _____ DATE _____

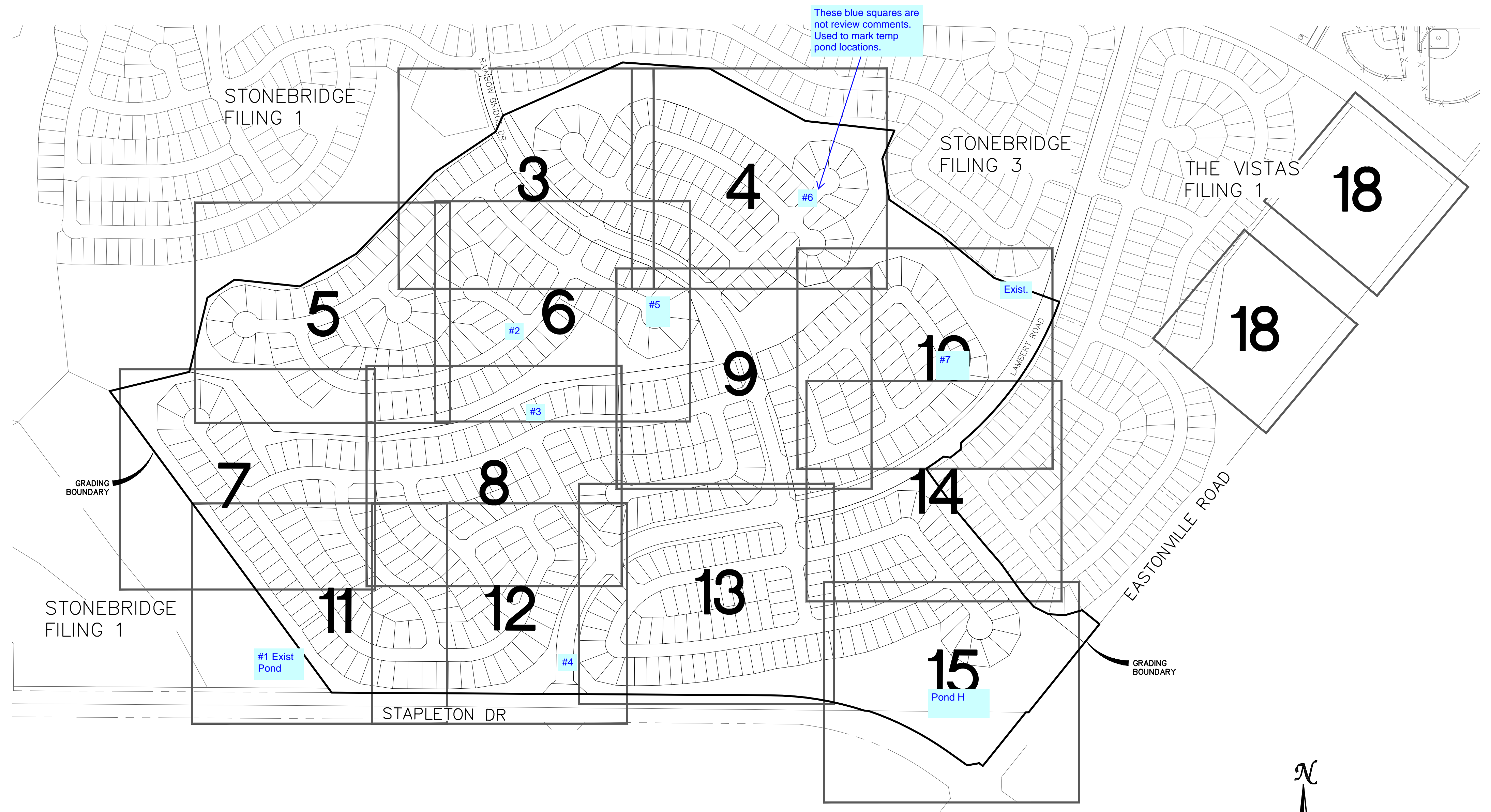


Drawn by	Loc	Checked by	TAK	Date	DEC 2017
Scale	AS SHOWN	1 of 22			
ROUGH GRADING WINDINGWALK AT MERIDIAN RANCH ROUGH GRADING/EROSION CONTROL PLAN COVER SHEET					
MERIDIAN RANCH					
TECH CONTRACTORS 11886 STAPLETON DRIVE FALCON, CO 80831 TELEPHONE: 719.495.7444 FAX: 719.495.2457					
No.	Revisions	Date	Instr.	Appr.	Date

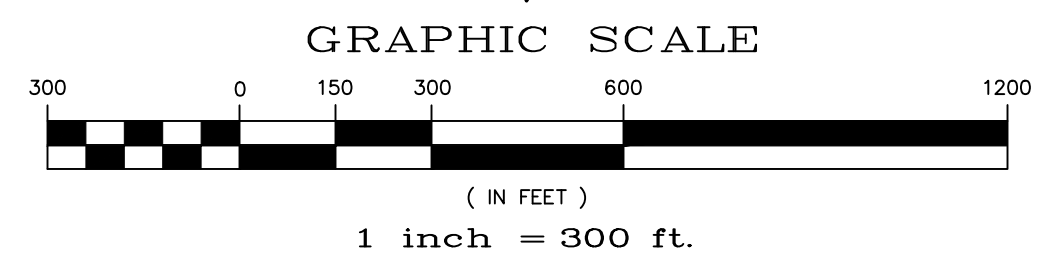
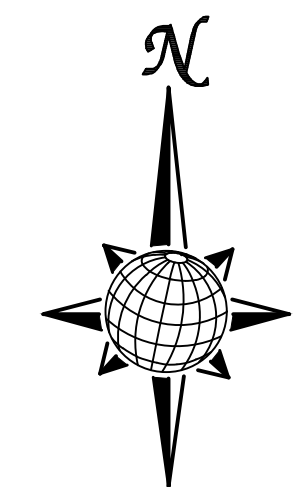
GENERAL NOTES:

- CONSTRUCTION MAY NOT COMMENCE UNTIL A CONSTRUCTION PERMIT IS OBTAINED FROM PLANNING AND COMMUNITY DEVELOPMENT (PCD) AND A PRECONSTRUCTION CONFERENCE IS HELD WITH PCD INSPECTIONS.
- STORMWATER DISCHARGES FROM CONSTRUCTION SITES SHALL NOT CAUSE OR THREATEN TO CAUSE POLLUTION, CONTAMINATION, OR DEGRADATION OF STATE WATERS. ALL WORK AND EARTH DISTURBANCE SHALL BE DONE IN A MANNER THAT MINIMIZES POLLUTION OF ANY ON-SITE OR OFF SITE WATERS, INCLUDING WETLANDS.
- NOTWITHSTANDING ANYTHING DEPICTED IN THESE PLANS IN WORDS OR GRAPHIC REPRESENTATION, ALL DESIGN AND CONSTRUCTION RELATED TO ROADS, STORM DRAINAGE AND EROSION CONTROL SHALL CONFORM TO THE STANDARDS AND REQUIREMENTS OF THE MOST RECENT VERSION OF THE RELEVANT ADOPTED EL PASO COUNTY STANDARDS, INCLUDING THE LAND DEVELOPMENT CODE, THE ENGINEERING CRITERIA MANUAL, THE DRAINAGE CRITERIA MANUAL, AND THE DRAINAGE CRITERIA MANUAL VOLUME 2. ANY DEVIATIONS TO REGULATIONS AND STANDARDS MUST BE REQUESTED, AND APPROVED, IN WRITING.
- A SEPARATE STORMWATER MANAGEMENT PLAN (SWMP) FOR THIS PROJECT SHALL BE COMPLETED AND AN EROSION AND STORMWATER QUALITY CONTROL PERMIT (ESQCP) ISSUED PRIOR TO COMMENCING CONSTRUCTION. DURING CONSTRUCTION THE SWMP IS THE RESPONSIBILITY OF THE DESIGNATED STORMWATER MANAGER, SHALL BE LOCATED ON SITE AT ALL TIMES AND SHALL BE KEPT UP TO DATE WITH WORK PROGRESS AND CHANGES IN THE FIELD.
- ONCE THE ESQCP HAS BEEN ISSUED, THE CONTRACTOR MAY INSTALL THE INITIAL STAGE EROSION AND SEDIMENT CONTROL BMPs AS INDICATED ON THE DEC. A PRECONSTRUCTION MEETING BETWEEN THE CONTRACTOR, ENGINEER, AND EL PASO COUNTY WILL BE HELD PRIOR TO ANY CONSTRUCTION. IT IS THE RESPONSIBILITY OF THE APPLICANT TO COORDINATE THE MEETING TIME AND PLACE WITH COUNTY PCD INSPECTIONS STAFF.
- SOIL EROSION CONTROL MEASURES FOR ALL SLOPES, CHANNELS, DITCHES, OR ANY DISTURBED LAND AREA SHALL BE COMPLETED WITHIN 21 CALENDAR DAYS AFTER FINAL GRADING, OR FINAL EARTH DISTURBANCE, HAS BEEN COMPLETED. DISTURBED AREAS AND STOCKPILES WHICH ARE NOT AT FINAL GRADE BUT WILL REMAIN DORMANT FOR LONGER THAN 30 DAYS SHALL ALSO BE MULCHED WITHIN 21 DAYS AFTER INTERIM GRADING. AN AREA THAT IS GOING TO REMAIN IN AN INTERIM STATE FOR MORE THAN 60 DAYS SHALL ALSO BE SEED. ALL TEMPORARY SOIL EROSION CONTROL MEASURES AND BMPs SHALL BE MAINTAINED UNTIL PERMANENT SOIL EROSION CONTROL MEASURES ARE IMPLEMENTED AND ESTABLISHED.
- TEMPORARY SOIL EROSION CONTROL FACILITIES SHALL BE REMOVED AND EARTH DISTURBANCE AREAS GRADED AND STABILIZED WITH PERMANENT SOIL EROSION CONTROL MEASURES PURSUANT TO STANDARDS AND SPECIFICATION PRESCRIBED IN THE DCM VOLUME II AND THE ENGINEERING CRITERIA MANUAL (ECM) APPENDIX I.
- ALL PERSONS ENGAGED IN EARTH DISTURBANCE SHALL IMPLEMENT AND MAINTAIN ACCEPTABLE SOIL EROSION AND SEDIMENT CONTROL MEASURES INCLUDING BMPs IN CONFORMANCE WITH THE EROSION CONTROL TECHNICAL STANDARDS OF THE DRAINAGE CRITERIA MANUAL (DCM) VOLUME II AND IN ACCORDANCE WITH THE STORMWATER MANAGEMENT PLAN (SWMP).
- ALL TEMPORARY EROSION CONTROL FACILITIES INCLUDING BMPs AND ALL PERMANENT FACILITIES INTENDED TO CONTROL EROSION OF ANY EARTH DISTURBANCE OPERATIONS, SHALL BE INSTALLED AS DEFINED IN THE APPROVED PLANS, THE SWMP AND THE DCM VOLUME II AND MAINTAINED THROUGHOUT THE DURATION OF THE EARTH DISTURBANCE OPERATION.
- ANY EARTH DISTURBANCE SHALL BE CONDUCTED IN SUCH A MANNER SO AS TO EFFECTIVELY REDUCE ACCELERATED SOIL EROSION AND RESULTING SEDIMENTATION. ALL DISTURBANCES SHALL BE DESIGNED, CONSTRUCTED, AND COMPLETED SO THAT THE EXPOSED AREA OF ANY DISTURBED LAND SHALL BE LIMITED TO THE SHORTEST PRACTICAL PERIOD OF TIME.
- ANY TEMPORARY OR PERMANENT FACILITY DESIGNED AND CONSTRUCTED FOR THE CONVEYANCE OF STORMWATER AROUND, THROUGH, OR FROM THE EARTH DISTURBANCE AREA SHALL BE DESIGNED TO LIMIT THE DISCHARGE TO A NON-EROSIVE VELOCITY.
- CONCRETE WASH WATER SHALL BE CONTAINED AND DISPOSED OF IN ACCORDANCE WITH THE SWMP. NO WASH WATER SHALL BE DISCHARGED TO OR ALLOWED TO RUNOFF TO STATE WATERS, INCLUDING ANY SURFACE OR SUBSURFACE STORM DRAINAGE SYSTEM OR FACILITIES.
- EROSION CONTROL BLANKETING IS TO BE USED ON SLOPES STEEPER THAN 3:1.
- BUILDING, CONSTRUCTION, EXCAVATION, OR OTHER WASTE MATERIALS SHALL NOT BE TEMPORARILY PLACED OR STORED IN THE STREET, ALLEY, OR OTHER PUBLIC WAY, UNLESS IN ACCORDANCE WITH AN APPROVED TRAFFIC CONTROL PLAN. BMP'S MAY BE REQUIRED BY EL PASO COUNTY ENGINEERING IF DEEMED NECESSARY, BASED ON SPECIFIC CONDITIONS AND CIRCUMSTANCES.
- VEHICLE TRACKING OF SOILS AND CONSTRUCTION DEBRIS OFF-SITE SHALL BE MINIMIZED. MATERIALS TRACKED OFFSITE SHALL BE CLEANED UP AND PROPERLY DISPOSED OF IMMEDIATELY.
- CONTRACTOR SHALL BE RESPONSIBLE FOR THE REMOVAL OF ALL WASTES FROM THE CONSTRUCTION SITE FOR DISPOSAL IN ACCORDANCE WITH LOCAL AND STATE REGULATORY REQUIREMENTS. NO CONSTRUCTION DEBRIS, TREE SLASH, BUILDING MATERIAL WASTES OR UNUSED BUILDING MATERIALS SHALL BE BURIED, DUMPED, OR DISCHARGED AT THE SITE.
- THE OWNER, SITE DEVELOPER, CONTRACTOR, AND/OR THEIR AUTHORIZED AGENTS SHALL BE RESPONSIBLE FOR THE REMOVAL OF ALL CONSTRUCTION DEBRIS, DIRT, TRASH, ROCK, SEDIMENT, AND SAND THAT MAY ACCUMULATE IN THE STORM SEWER OR OTHER DRAINAGE CONVEYANCE SYSTEM AND STORMWATER APPURTENANCES AS A RESULT OF SITE DEVELOPMENT.
- THE QUANTITY OF MATERIALS STORED ON THE PROJECT SITE SHALL BE LIMITED, AS MUCH AS PRACTICAL, TO THAT QUANTITY REQUIRED TO PERFORM THE WORK IN AN ORDERLY SEQUENCE. ALL MATERIALS STORED ON-SITE SHALL BE STORED IN A NEAT, ORDERLY MANNER, IN THEIR ORIGINAL CONTAINERS, WITH ORIGINAL MANUFACTURER'S LABELS.
- NO CHEMICALS ARE TO BE USED BY THE CONTRACTOR, WHICH HAVE THE POTENTIAL TO BE RELEASED IN STORMWATER UNLESS PERMISSION FOR THE USE OF A SPECIFIC CHEMICAL IS GRANTED IN WRITING BY THE ECM ADMINISTRATOR. IN GRANTING THE USE OF SUCH CHEMICALS, SPECIAL CONDITIONS AND MONITORING MAY BE REQUIRED.
- BULK STORAGE STRUCTURES FOR PETROLEUM PRODUCTS AND OTHER CHEMICALS SHALL HAVE ADEQUATE PROTECTION SO AS TO CONTAIN ALL SPILLS AND PREVENT ANY SPILLED MATERIAL FROM ENTERING STATE WATERS, INCLUDING ANY SURFACE OR SUBSURFACE STORM DRAINAGE SYSTEM OR FACILITIES.
- NO PERSON SHALL CAUSE THE IMPEDIMENT OF STORMWATER FLOW IN THE FLOW LINE OF THE CURB AND GUTTER OR IN THE DITCHLINE.
- INDIVIDUALS SHALL COMPLY WITH THE COLORADO WATER QUALITY CONTROL ACT (TITLE 25, ARTICLE 8, CRS), AND THE CLEAN WATER ACT (33 USC 1344), IN ADDITION TO THE REQUIREMENTS INCLUDED IN THE DCM VOLUME II AND THE ECM APPENDIX I. ALL APPROPRIATE PERMITS MUST BE OBTAINED BY THE CONTRACTOR PRIOR TO CONSTRUCTION (NPDES, FLOODPLAIN, 404, FUGITIVE DUST, ETC.). IN THE EVENT OF CONFLICTS BETWEEN THESE REQUIREMENTS AND LAWS, RULES, OR REGULATIONS OF OTHER FEDERAL, STATE, OR COUNTY AGENCIES, THE MORE RESTRICTIVE LAWS, RULES, OR REGULATIONS SHALL APPLY.
- ALL CONSTRUCTION TRAFFIC MUST ENTER/EXIT THE SITE AT APPROVED CONSTRUCTION ACCESS POINTS.
- PRIOR TO ACTUAL CONSTRUCTION THE PERMITEE SHALL VERIFY THE LOCATION OF EXISTING UTILITIES.
- A WATER SOURCE SHALL BE AVAILABLE ON SITE DURING EARTHWORK OPERATIONS AND UTILIZED AS REQUIRED TO MINIMIZE DUST FROM EARTHWORK EQUIPMENT AND WIND.
- THE SOILS REPORT FOR THIS SITE HAS BEEN PREPARED BY ENTECH ENGINEERING, INC. AND SHALL BE CONSIDERED A PART OF THESE PLANS.
- AT LEAST TEN DAYS PRIOR TO THE ANTICIPATED START OF CONSTRUCTION, FOR PROJECTS THAT WILL DISTURB 1 ACRE OR MORE, THE OWNER OR OPERATOR OF CONSTRUCTION ACTIVITY SHALL SUBMIT A PERMIT APPLICATION FOR STORMWATER DISCHARGE TO THE COLORADO DEPARTMENT OF PUBLIC HEALTH AND ENVIRONMENT, WATER QUALITY DIVISION. THE APPLICATION CONTAINS CERTIFICATION OF COMPLETION OF A STORMWATER MANAGEMENT PLAN (SWMP), OF WHICH THIS GRADING AND EROSION CONTROL PLAN MAY BE A PART. FOR INFORMATION OR APPLICATION MATERIALS CONTACT:

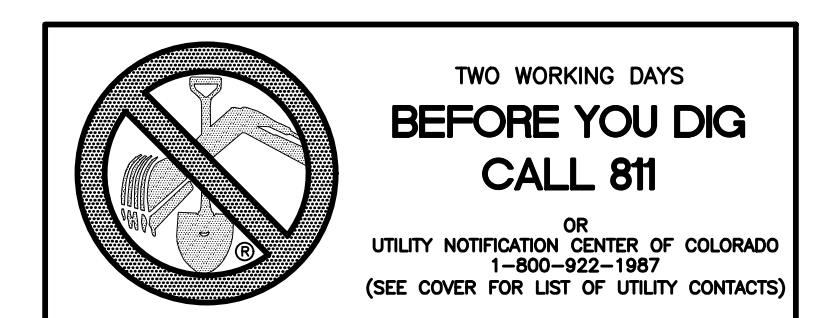
COLORADO DEPARTMENT OF PUBLIC HEALTH AND ENVIRONMENT
 WATER QUALITY CONTROL DIVISION
 WOOD - PERMITS
 4300 CHERRY CREEK DRIVE SOUTH
 DENVER, CO 80246-1530
 ATTN: PERMITS UNIT



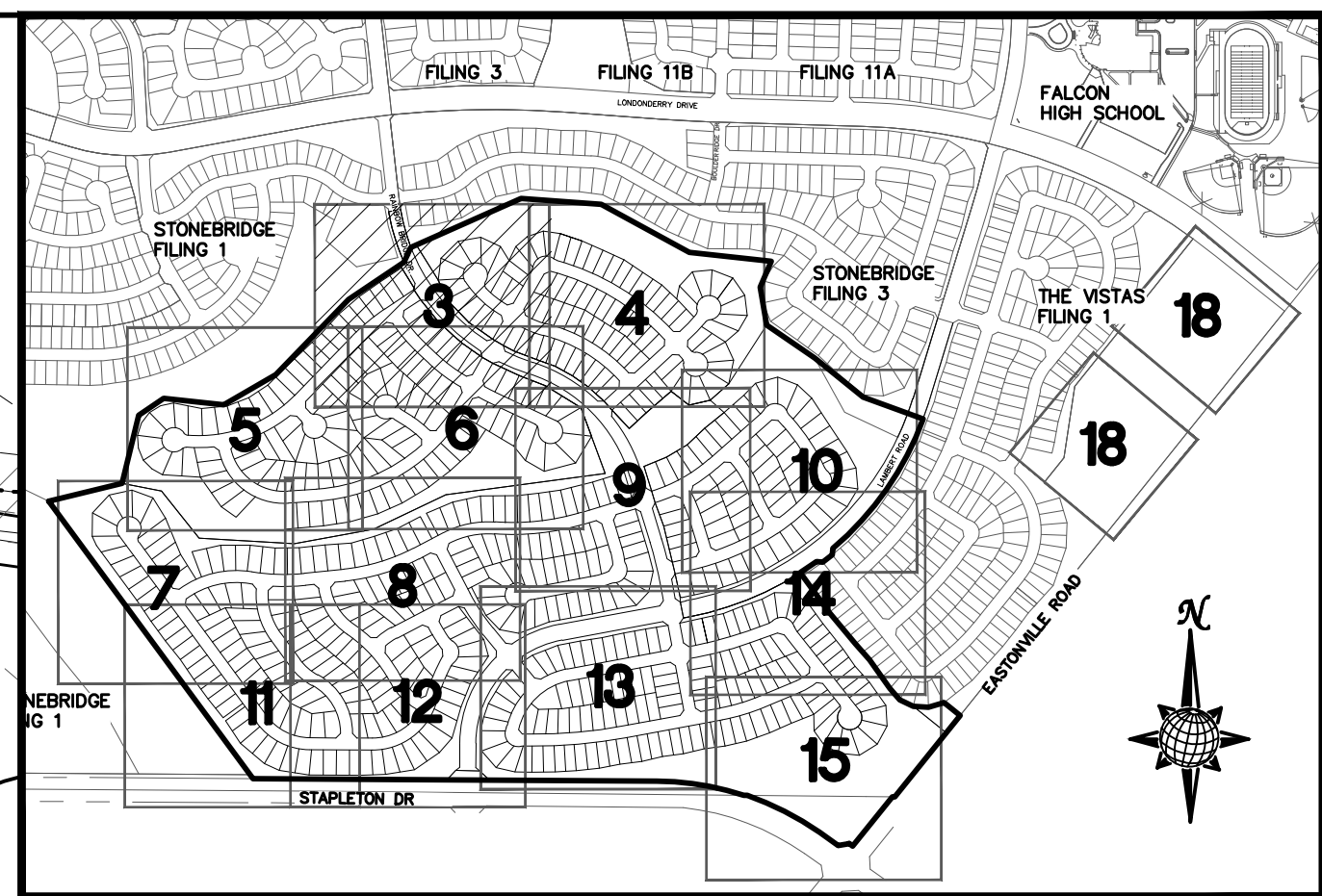
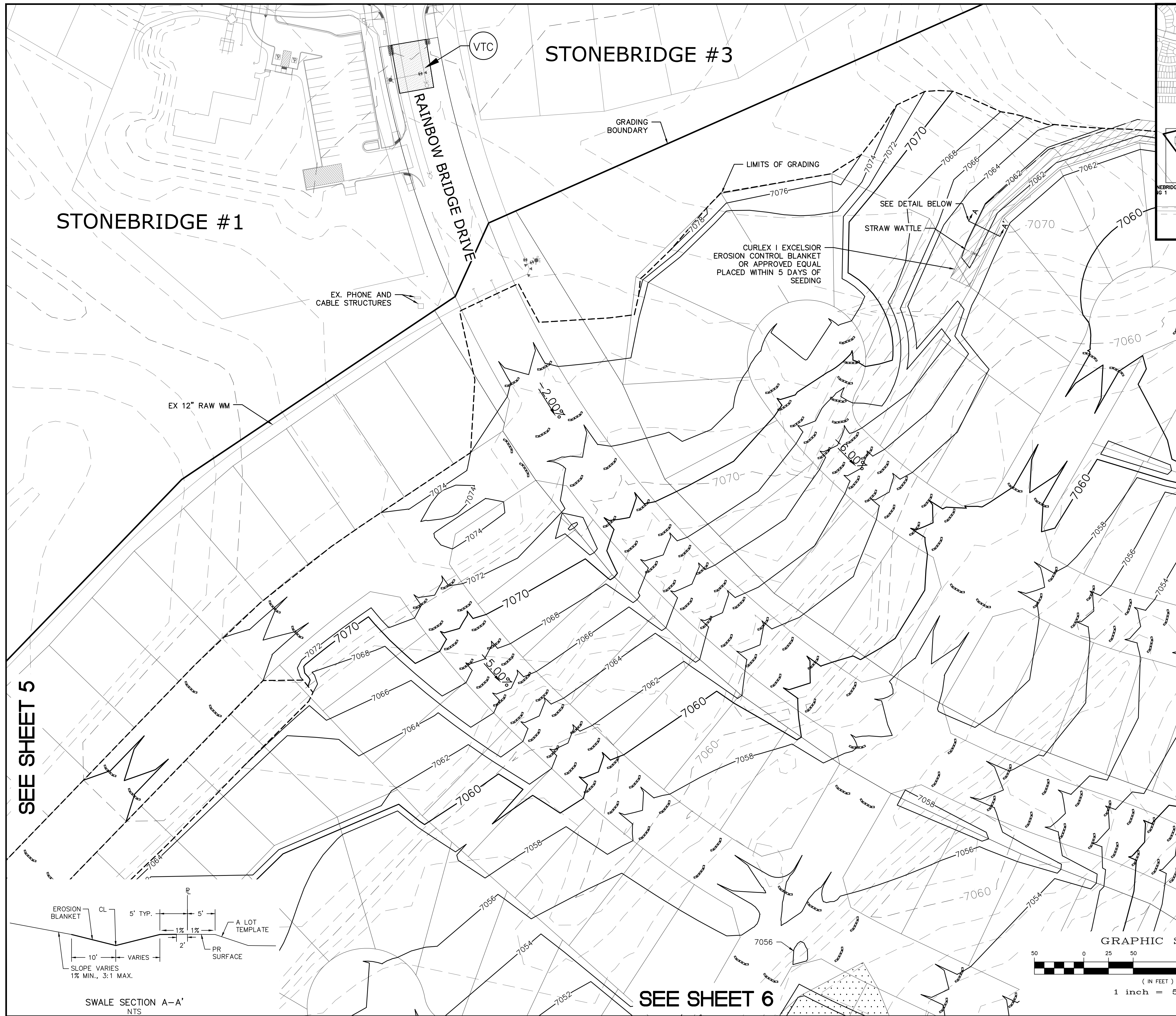
Please add date written.
 Unresolved



EARTHWORK QUANTITIES			
NET YARDS	BALANCE		
TOTAL STRIPPINGS	177.2 AC.	95,300 CY	
	CUT	FILL	
NET YARDS	459,000 CY	459,000 CY	
20% COMPACTION FACTOR			



TECH CONTRACTORS 11886 STAPLETON DRIVE FALCON, CO 80831 TELEPHONE: 719.495.2444 FAX: 719.495.2457		MERIDIAN RANCH 		ROUGH GRADING WINDINGWALK AT MERIDIAN RANCH ROUGH GRADING/EROSION CONTROL PLAN GRADING INDEX SHEET				
Scale	AS SHOWN	2 of 22	Drawn by	LOA	Checked by	TAK	Date	DEC 2017
Revisions		No.	Date	Instr.	Appr.	Date		



INDEX MAP
N.T.S.

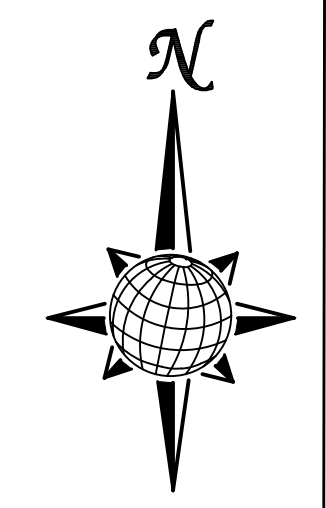
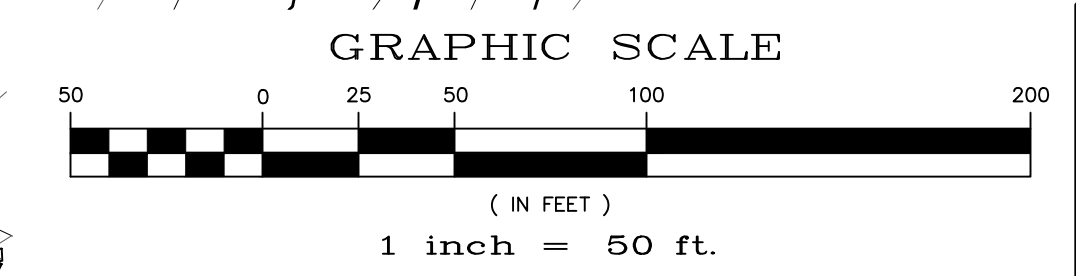
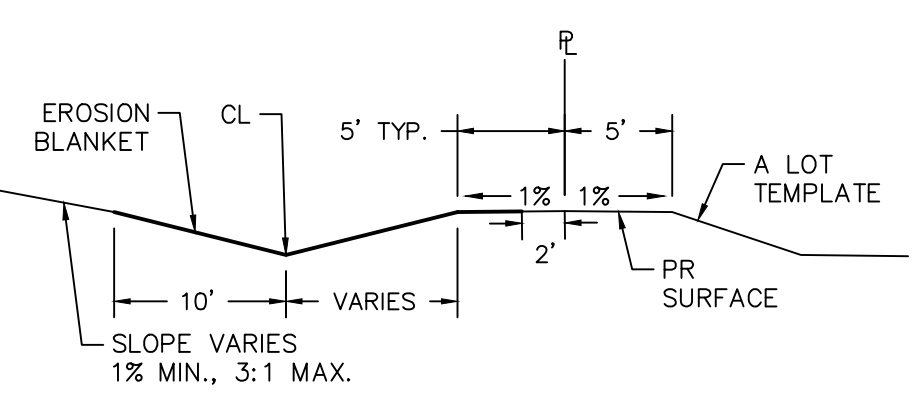
LEGEND

SYMBOL	ACRONYM	DESCRIPTION
		STRAW BALES
		EROSION WATTLES PER DETAIL SHEET 22
		EROSION CONTROL BLANKET PER DETAIL ECB-1 & ECB-2 DCM VOL. 2
	RCP	REINFORCED CONCRETE PIPE
	SF	SILT FENCE PER DETAIL SF-1, SF-2 & SF-3 DCM VOL. 2
	VTC	VEHICLE TRACKING CONTROL PER DETAIL VT-2 DCM VOL. 2
	IP	INLET PROTECTION PER DETAIL SHEET 22
		LIMITS OF GRADING
		EXISTING CONTOUR (10')
		EXISTING CONTOUR (2')
		PROPOSED CONTOUR (10')
		PROPOSED CONTOUR (2')
		2.00% GRADE
		75 LOT NUMBER
		LOT GRADE TYPE
		EXISTING STOCKPILE AREAS

SEE SHEET 4

SEE SHEET 5

SEE SHEET 6



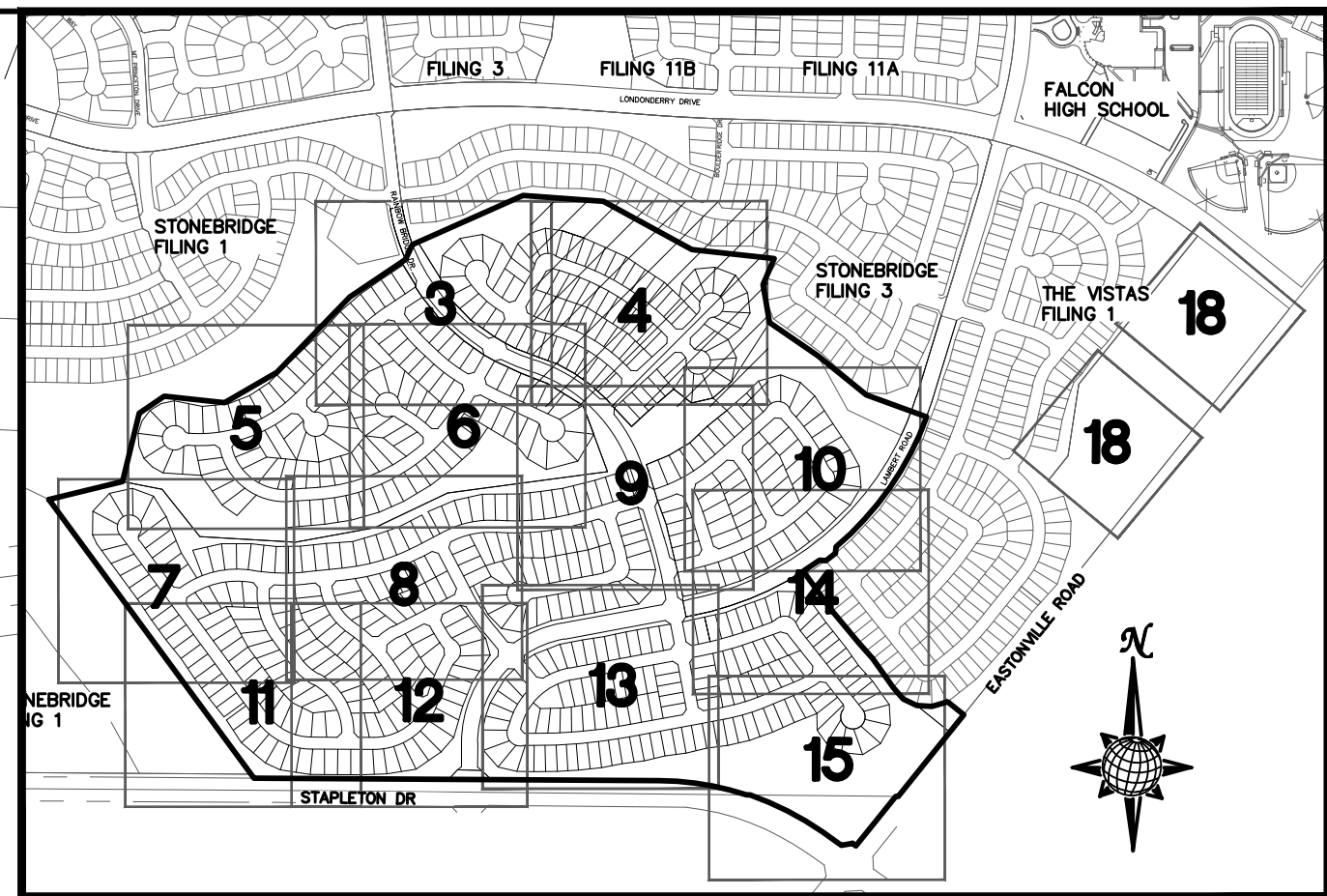
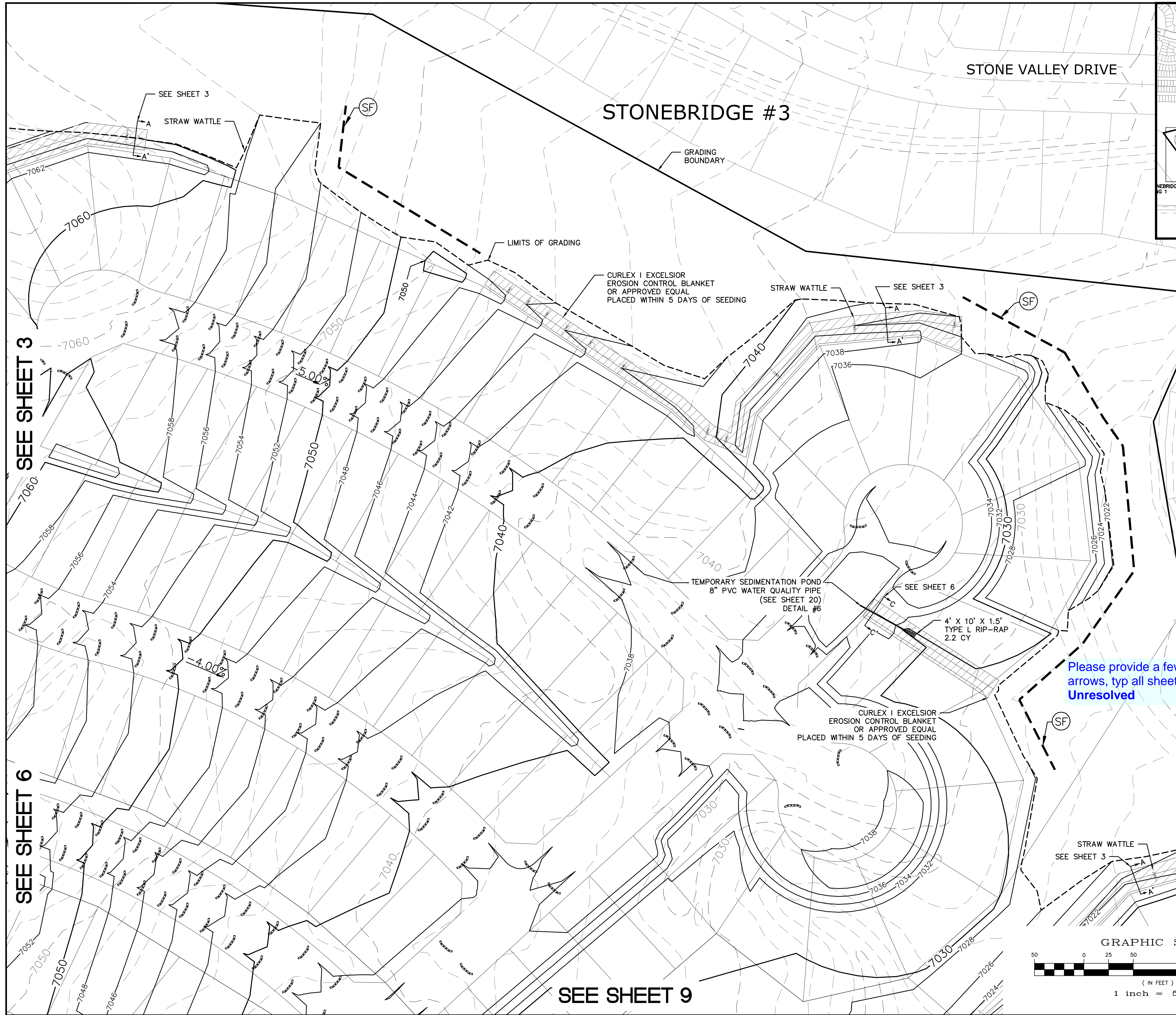
NOTE:
ALL CONTOURS SHOWN WITHIN THE PLAN SET ARE TO FINISHED SURFACE. ALL STREET SECTIONS ARE TO BE GRADED TO ROUGH SUB-GRADE AS SHOWN IN THEIR RESPECTIVE TYPICAL STREET SECTION SHOWN ON SHEET 21.

CONTRACTOR SHALL PROTECT ALL EXISTING UTILITIES.
EX. UTILITIES SEE CONSTRUCTION DRAWINGS FOR:
1)STONEBRIDGE FILING 1 AT MERIDIAN RANCH
2)STONEBRIDGE FILING 3 AT MERIDIAN RANCH
3)LONDONDERRY DRIVE/LAMBERT ROAD CONSTRUCTION DRAWINGS
4)STAPLETON DRIVE CONSTRUCTION DRAWINGS
5)GUTHRIE RAW WATER EXTENSION THE VISTAS FILING 1 OFFSITE
6)MERIDIAN RANCH FILING 11
7)VISTAS FILING 1 AT MERIDIAN RANCH

TWO WORKING DAYS BEFORE YOU DIG CALL 811

OR
UTILITY NOTIFICATION CENTER OF COLORADO
1-800-922-1987
(SEE COVER FOR LIST OF UTILITY CONTACTS)

TECH CONTRACTORS 11886 STAPLETON DRIVE FALCON, CO 80831 TELEPHONE: 719.495.7444 FAX: 719.495.2457		MERIDIAN RANCH		ROUGH GRADING WINDINGWALK AT MERIDIAN RANCH ROUGH GRADING/EROSION CONTROL PLAN PLAN SHEET	
Drawn by AS SHOWN	Checked by TAK	Date DEC 2017	Scale AS SHOWN	3 of 22	
No.	Revisions	Date	Inst.	Appr.	Date



INDEX MAP
N.T.S.

LEGEND

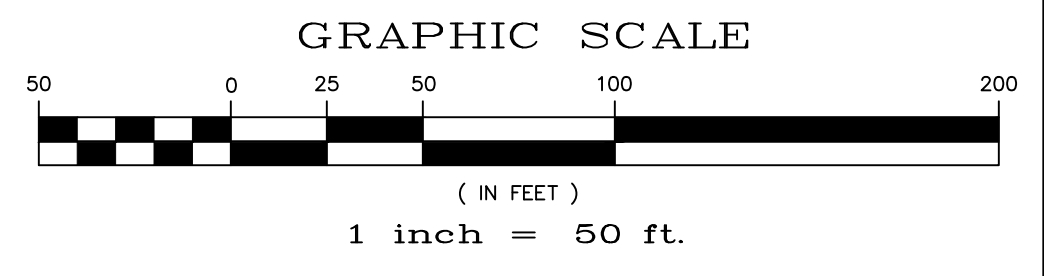
SYMBOL	ACRONYM	DESCRIPTION
		STRAW BALES
		EROSION WATTLES PER DETAIL SHEET 22
		EROSION CONTROL BLANKET PER DETAIL ECB-1 & ECB-2 DCM VOL. 2
	RCP	REINFORCED CONCRETE PIPE
	SF	SILT FENCE PER DETAIL SF-1, SF-2 & SF-3 DCM VOL. 2
	VTC	VEHICLE TRACKING CONTROL PER DETAIL VT-2 DCM VOL. 2
	IP	INLET PROTECTION PER DETAIL SHEET 22
		LIMITS OF GRADING
		EXISTING CONTOUR (10')
		EXISTING CONTOUR (2')
		PROPOSED CONTOUR (10')
		PROPOSED CONTOUR (2')
		GRADE
		LOT NUMBER
		LOT GRADE TYPE
		EXISTING STOCKPILE AREAS

NOTE: A PORTION OF THE SITE CONTAINS UNDOCUMENTED FILL OF VARIOUS PILES OF SPOIL MATERIAL FROM FOUNDATION EXCAVATIONS. AN ESTIMATED QUANTITY OF THIS UNDOCUMENTED FILL WAS CALCULATED INTO THE EARTHWORK TO PROVIDE A BALANCED GRADED SITE. THE CONTRACTOR SHALL PROVIDE THEIR OWN FINAL ESTIMATE OF ACTUAL USABLE MATERIAL OUT OF THE SPOIL SITES BASED ON BEST PRACTICES AND FIELD VERIFICATION. THE CONTRACTOR SHALL REMOVE ALL UNSUITABLE MATERIAL FROM THE SITE AND DISPOSE OF IT PROPERLY.

NOTE: ALL CONTOURS SHOWN WITHIN THE PLAN SET ARE TO FINISHED SURFACE. ALL STREET SECTIONS ARE TO BE GRADED TO ROUGH SUB-GRADE AS SHOWN IN THEIR RESPECTIVE TYPICAL STREET SECTION SHOWN ON SHEET 21.

CONTRACTOR SHALL PROTECT ALL EXISTING UTILITIES.
EX. UTILITIES SEE CONSTRUCTION DRAWINGS FOR:
1)STONEBRIDGE FILING 1 AT MERIDIAN RANCH
2)STONEBRIDGE FILING 3 AT MERIDIAN RANCH
3)LONDONDERRY DRIVE/LAMBERT ROAD CONSTRUCTION DRAWINGS
4)STAPLETON DRIVE CONSTRUCTION DRAWINGS
5)GUTHRIE RAW WATER EXTENSION THE VISTAS FILING 1 OFFSITE
6)MERIDIAN RANCH FILING 11
7)VISTAS FILING 1 AT MERIDIAN RANCH

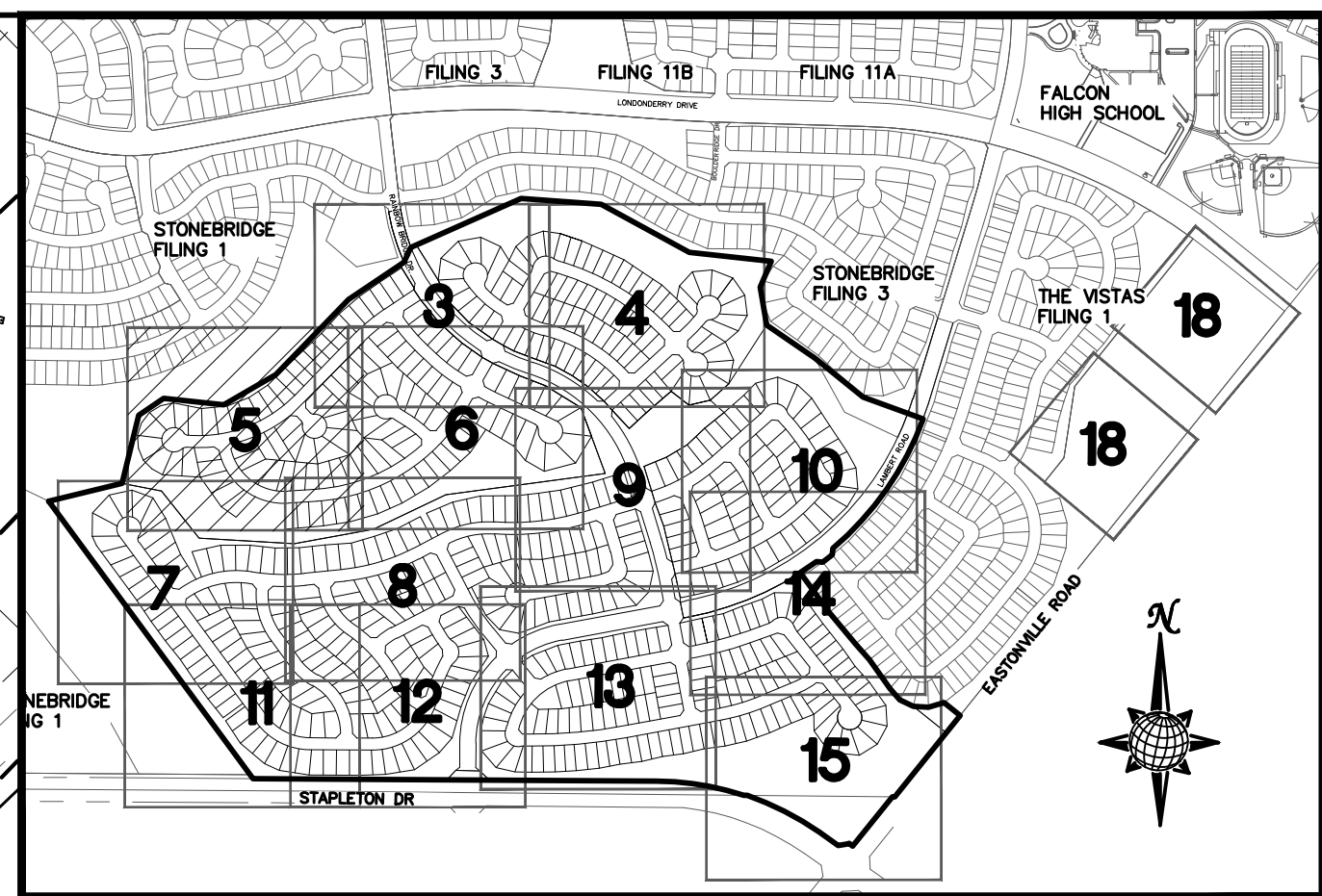
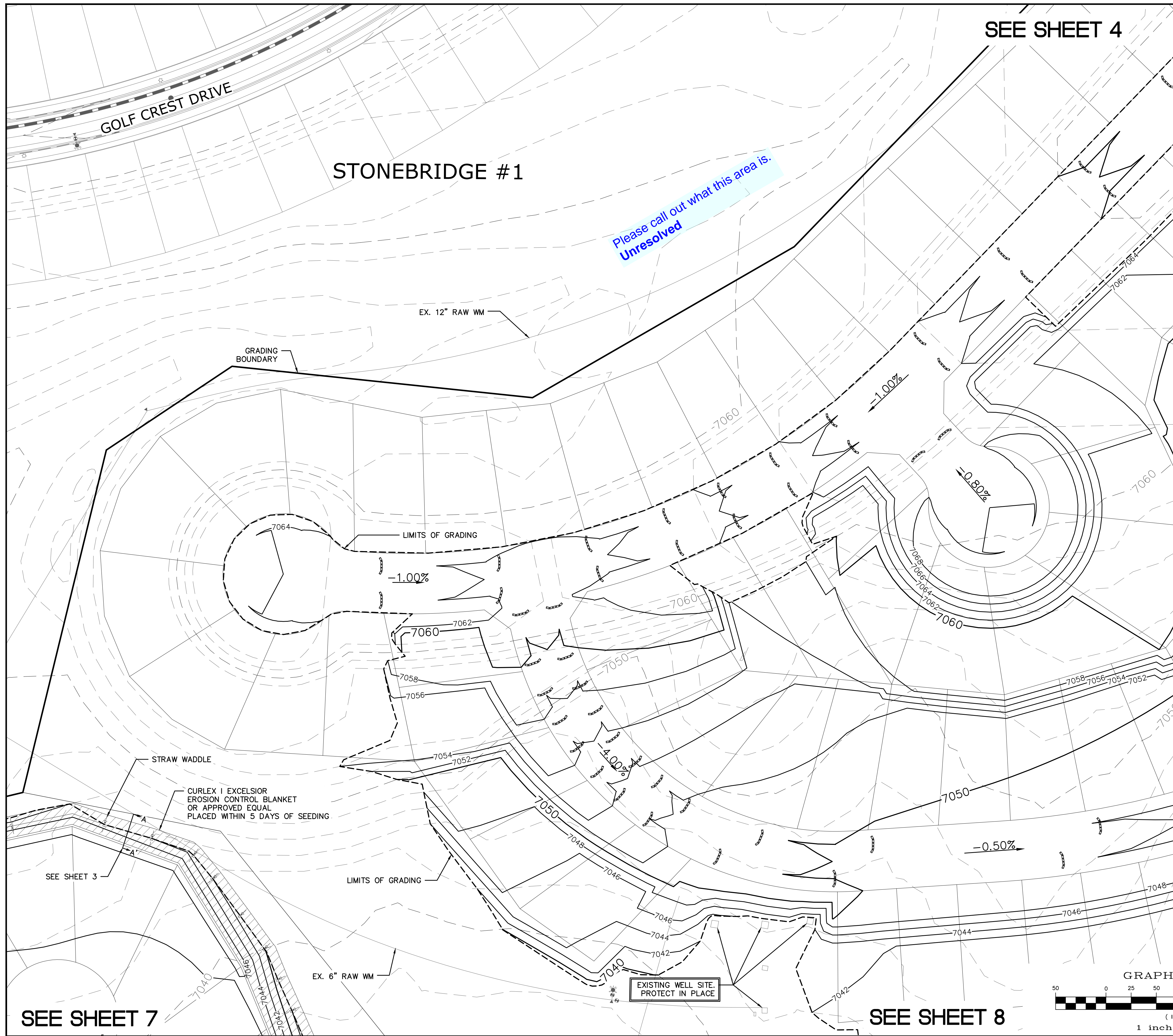
Please provide a few flow arrows, typ all sheets. Unresolved



TWO WORKING DAYS
BEFORE YOU DIG
CALL 811

OR
UTILITY NOTIFICATION CENTER OF COLORADO
1-800-922-1987
(SEE COVER FOR LIST OF UTILITY CONTACTS)

Scale	AS SHOWN	Date	4 of 22
Drawn by	LCB	Checked by	TAK
TECH CONTRACTORS		11886 STAPLETON DRIVE	
FALCON, CO 80831		TELEPHONE: 719.495.7444	
FAX: 719.495.2457		REVISONS	
No.		Date	Appr.
Date		Instr.	Date
ROUGH GRADING WINDINGWALK AT MERIDIAN RANCH ROUGH GRADING/EROSION CONTROL PLAN PLAN SHEET			



INDEX MAP
N.T.S.

LEGEND

SYMBOL	ACRONYM	DESCRIPTION
		STRAW BALES
		EROSION WATTLES PER DETAIL SHEET 22
		EROSION CONTROL BLANKET PER DETAIL ECB-1 & ECB-2 DCM VOL. 2
		RCP REINFORCED CONCRETE PIPE
	SF	SILT FENCE PER DETAIL SF-1, SF-2 & SF-3 DCM VOL. 2
	VT	VEHICLE TRACKING CONTROL PER DETAIL VT-2 DCM VOL. 2
	IP	INLET PROTECTION PER DETAIL SHEET 22
		LIMITS OF GRADING
		EXISTING CONTOUR (10')
		EXISTING CONTOUR (2')
		PROPOSED CONTOUR (10')
		PROPOSED CONTOUR (2')
		GRADE
		LOT NUMBER
		LOT GRADE TYPE
		EXISTING STOCKPILE AREAS NOTE: A PORTION OF THE SITE CONTAINS UNDOCUMENTED FILL OF VARIOUS PILES OF SPOIL MATERIAL FROM FOUNDATION EXCAVATIONS. AN ESTIMATED QUANTITY OF THIS UNDOCUMENTED FILL WAS CALCULATED INTO THE EARTHWORK TO PROVIDE A BALANCED GRADED SITE. THE CONTRACTOR SHALL PROVIDE THEIR OWN FINAL ESTIMATE OF ACTUAL USABLE MATERIAL OUT OF THE SPOIL SITES BASED ON BEST PRACTICES AND FIELD VERIFICATION. THE CONTRACTOR SHALL REMOVE ALL UNSUITABLE MATERIAL FROM THE SITE AND DISPOSE OF IT PROPERLY.

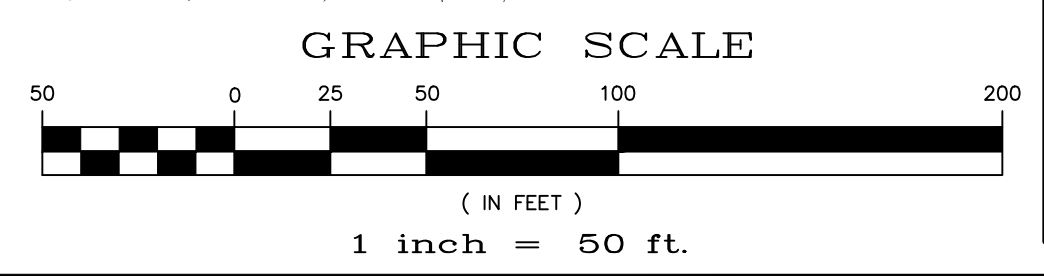
NOTE:
ALL CONTOURS SHOWN WITHIN THE PLAN SET
ARE TO FINISHED SURFACE. ALL STREET
SECTIONS ARE TO BE GRADED TO ROUGH
SUB-GRADE AS SHOWN IN THEIR RESPECTIVE
TYPICAL STREET SECTION SHOWN ON SHEET 21.

CONTRACTOR SHALL PROTECT ALL EXISTING
UTILITIES.
EX. UTILITIES SEE CONSTRUCTION DRAWINGS FOR:
1)STONEBRIDGE FILING 1 AT MERIDIAN RANCH
2)STONEBRIDGE FILING 3 AT MERIDIAN RANCH
3)LONDONDERRY DRIVE/LAMBERT ROAD
CONSTRUCTION DRAWINGS
4)STAPLETON DRIVE CONSTRUCTION DRAWINGS
5)GUTHRIE RAW WATER EXTENSION THE VISTAS
FILING 1 OFFSITE
6)MERIDIAN RANCH FILING 11
7)VISTAS FILING 1 AT MERIDIAN RANCH

TWO WORKING DAYS
BEFORE YOU DIG
CALL 811

OR
UTILITY NOTIFICATION CENTER OF COLORADO
1-800-922-1987
(SEE COVER FOR LIST OF UTILITY CONTACTS)

SEE SHEET 6



SEE SHEET 7

SEE SHEET 8

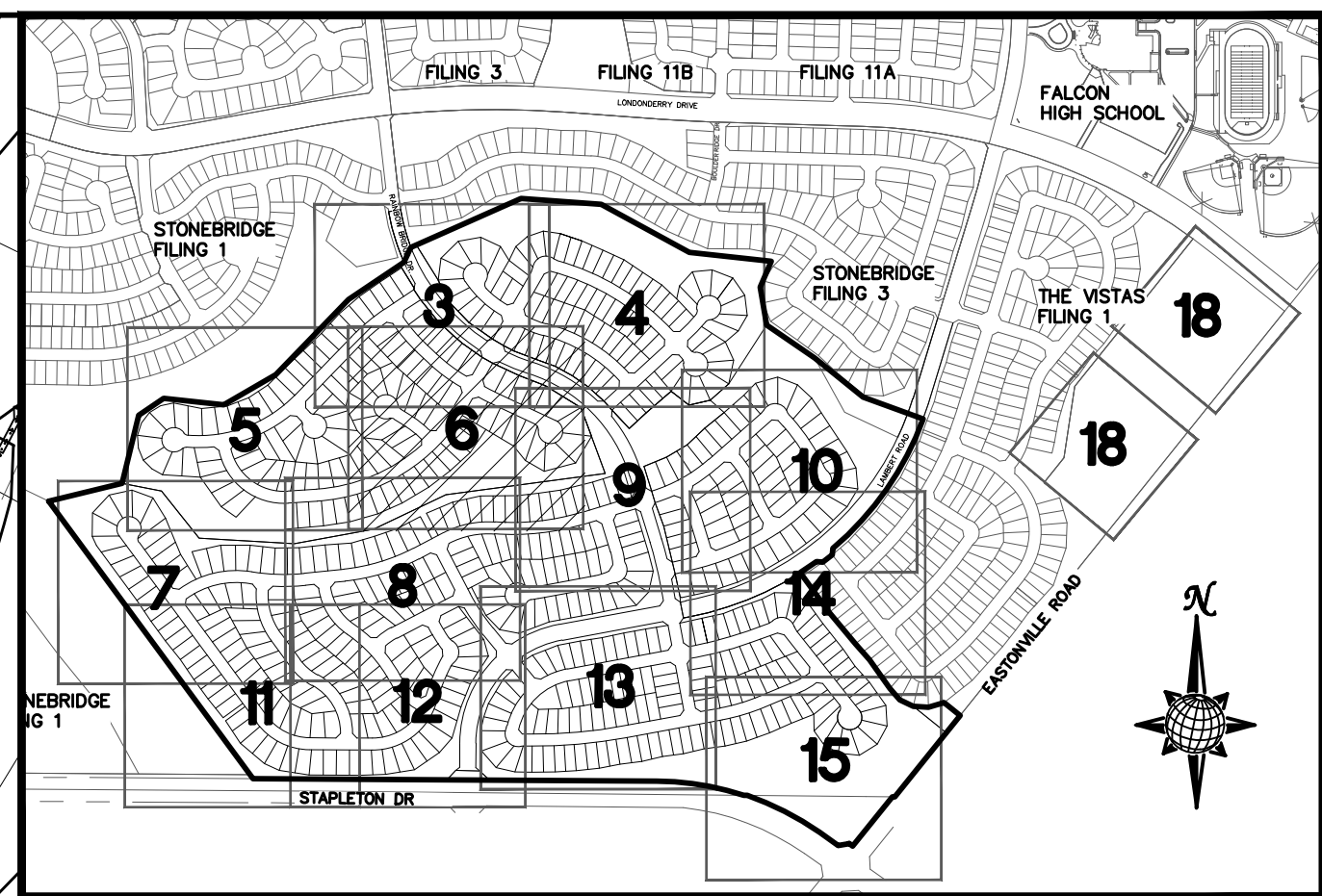
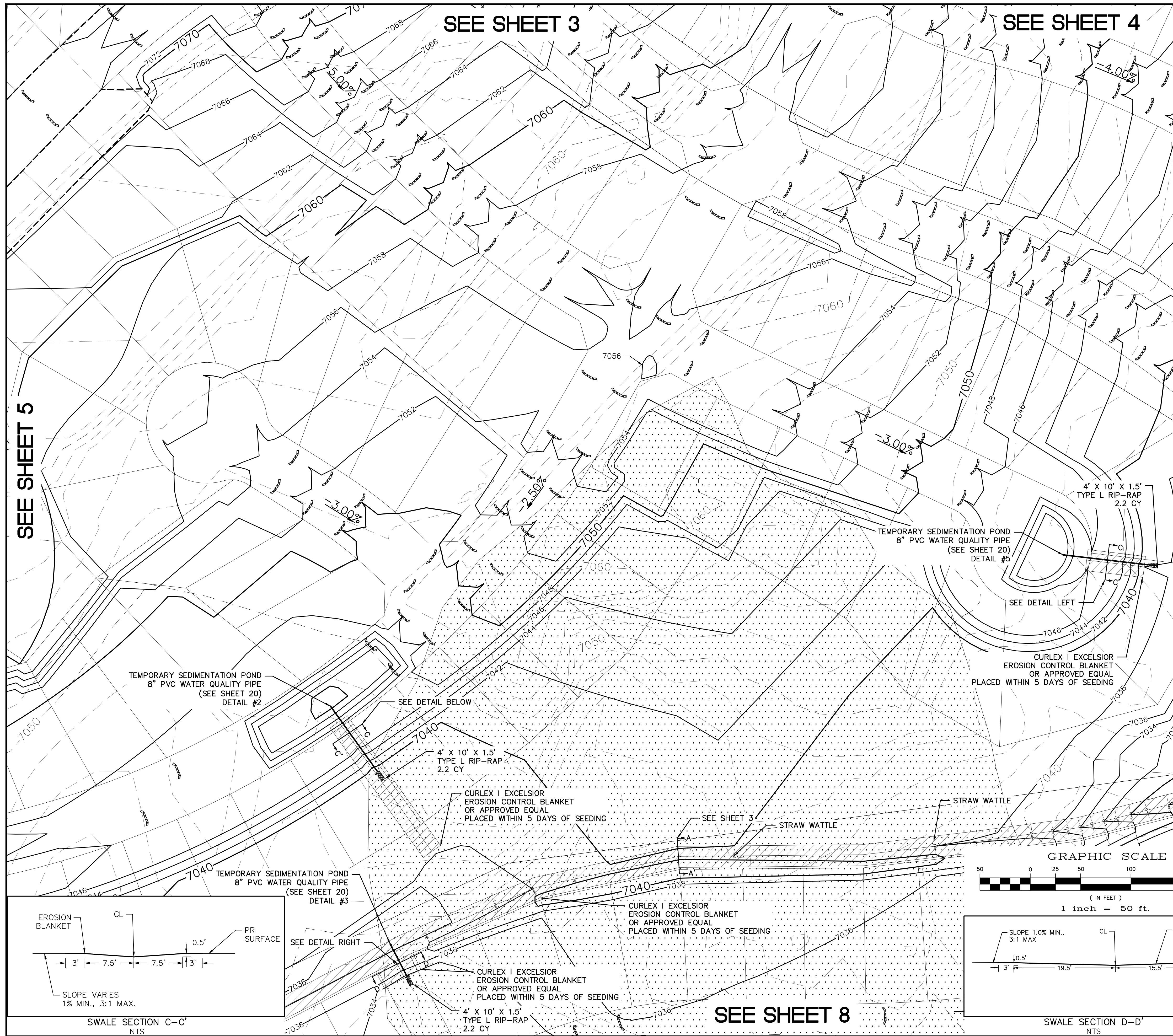
No.	Revisions	Date	Instr.	Appr.	Date

TECH CONTRACTORS
11886 STAPLETON DRIVE
FALCON, CO 80831
TELEPHONE: 719.495.7444
FAX: 719.495.2457

MERIDIAN RANCH

ROUGH GRADING WINDINGWALK
AT MERIDIAN RANCH
ROUGH GRADING/EROSION
CONTROL PLAN
PLAN SHEET

Drawn by	LOA	Checked by	TAK	Date	DEC 2017
Scale	AS SHOWN			5 of 22	



INDEX MAP
N.T.S.

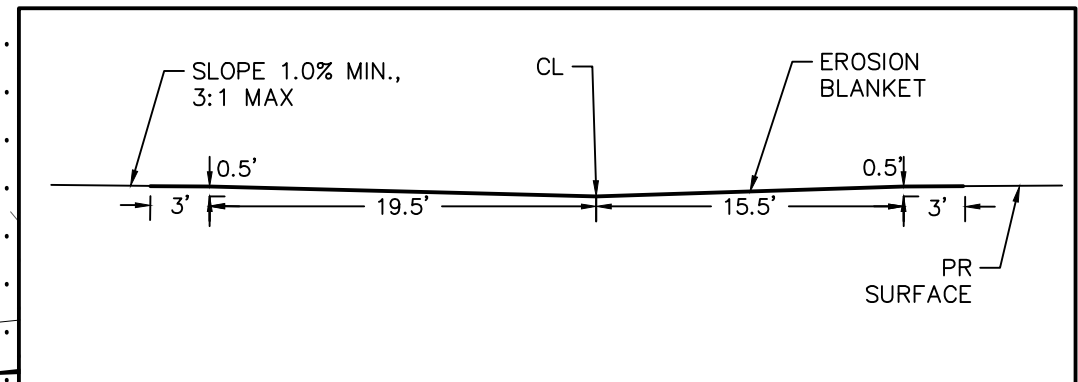
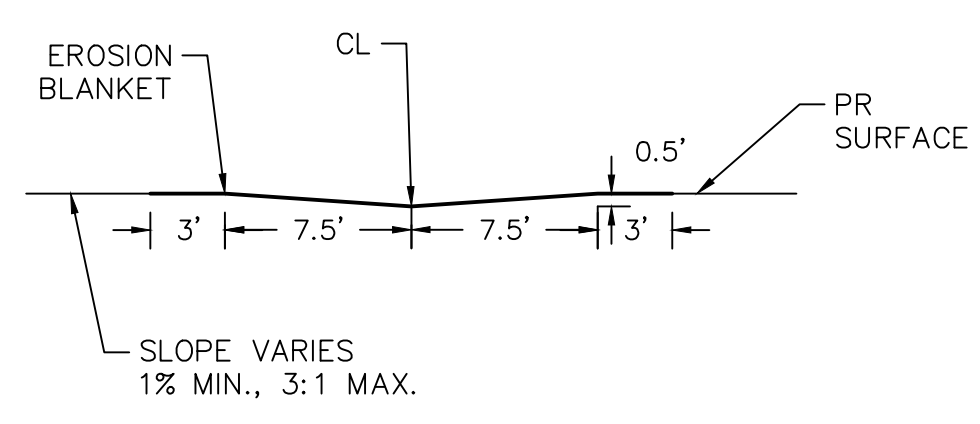
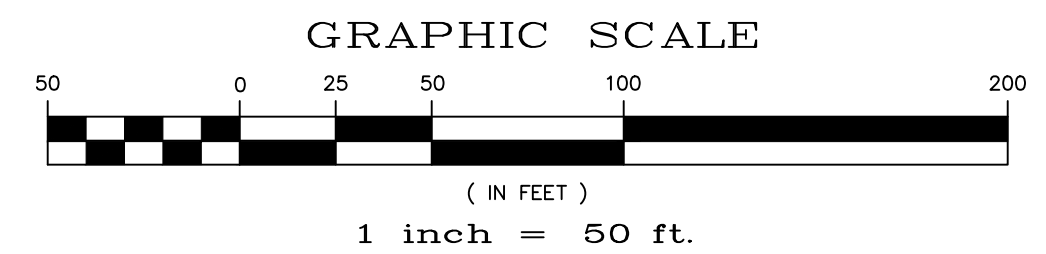
LEGEND

SYMBOL	ACRONYM	DESCRIPTION
		STRAW BALES
		EROSION WATTLES PER DETAIL SHEET 22
		EROSION CONTROL BLANKET PER DETAIL ECB-1 & ECB-2 DCM VOL. 2
		RCP REINFORCED CONCRETE PIPE
	SF	SILT FENCE PER DETAIL SF-1, SF-2 & SF-3 DCM VOL. 2
	VTC	VEHICLE TRACKING CONTROL PER DETAIL VT-2 DCM VOL. 2
	IP	INLET PROTECTION PER DETAIL SHEET 22
		LIMITS OF GRADING
		EXISTING CONTOUR (10')
		EXISTING CONTOUR (2')
		PROPOSED CONTOUR (10')
		PROPOSED CONTOUR (2')
		GRADE
		LOT NUMBER
		LOT GRADE TYPE
		EXISTING STOCKPILE AREAS NOTE: A PORTION OF THE SITE CONTAINS UNDOCUMENTED FILL OF VARIOUS PILES OF SPOIL MATERIAL FROM FOUNDATION EXCAVATIONS. AN ESTIMATED QUANTITY OF THIS UNDOCUMENTED FILL WAS CALCULATED INTO THE EARTHWORK TO PROVIDE A BALANCED GRADED SITE. THE CONTRACTOR SHALL PROVIDE THEIR OWN FINAL ESTIMATE OF ACTUAL USABLE MATERIAL OUT OF THE SPOIL SITES BASED ON BEST PRACTICES AND FIELD VERIFICATION. THE CONTRACTOR SHALL REMOVE ALL UNSUITABLE MATERIAL FROM THE SITE AND DISPOSE OF IT PROPERLY.

NOTE:
ALL CONTOURS SHOWN WITHIN THE PLAN SET ARE TO FINISHED SURFACE. ALL STREET SECTIONS ARE TO BE GRADED TO ROUGH SUB-GRADE AS SHOWN IN THEIR RESPECTIVE TYPICAL STREET SECTION SHOWN ON SHEET 21.

CONTRACTOR SHALL PROTECT ALL EXISTING UTILITIES.
EX. UTILITIES SEE CONSTRUCTION DRAWINGS FOR:
1)STONEBRIDGE FILING 1 AT MERIDIAN RANCH
2)STONEBRIDGE FILING 3 AT MERIDIAN RANCH
3)LONDONDERRY DRIVE/LAMBERT ROAD CONSTRUCTION DRAWINGS
4)STAPLETON DRIVE CONSTRUCTION DRAWINGS
5)GUTHRIE RAW WATER EXTENSION THE VISTAS FILING 1 OFFSITE
6)MERIDIAN RANCH FILING 11
7)VISTAS FILING 1 AT MERIDIAN RANCH

TWO WORKING DAYS
BEFORE YOU DIG
CALL 811
OR
UTILITY NOTIFICATION CENTER OF COLORADO
1-800-922-1987
(SEE COVER FOR LIST OF UTILITY CONTACTS)



No.	Revisions	Date	Appr.	Date

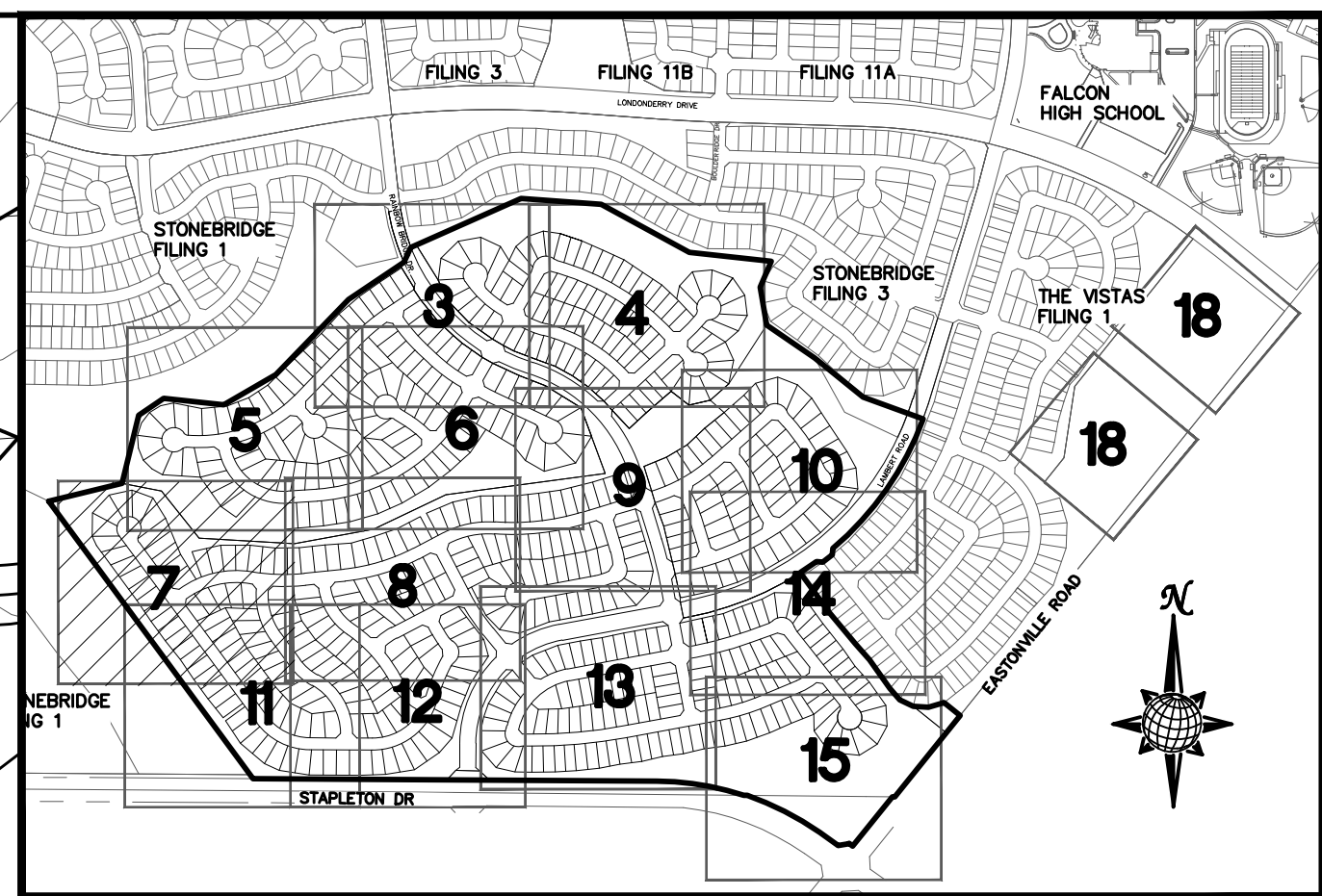
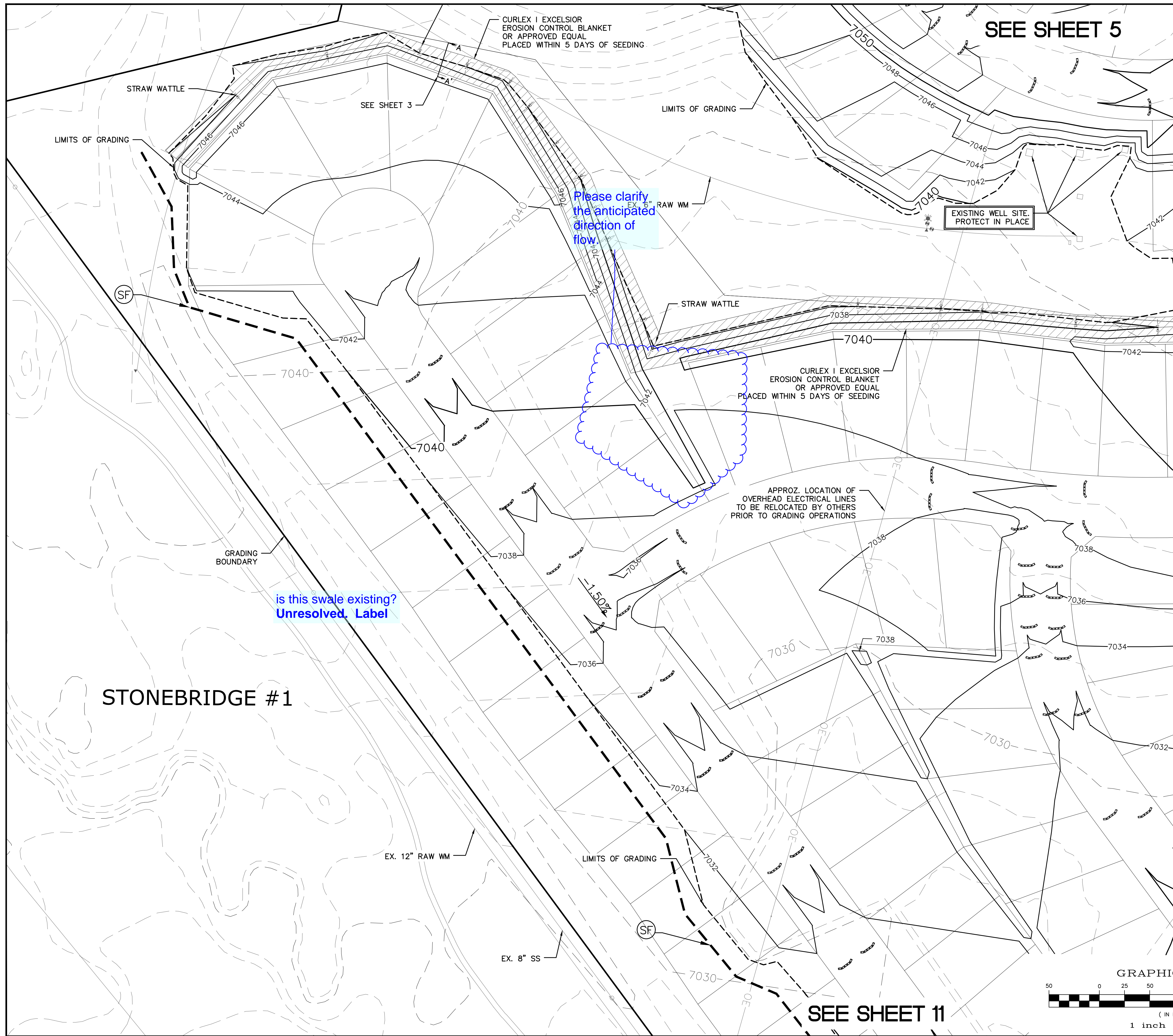
TECH CONTRACTORS
11886 STAPLETON DRIVE
FALCON, CO 80831
TELEPHONE: 719.495.7444
FAX: 719.495.2457

MERIDIAN RANCH

ROUGH GRADING WINDINGWALK
AT MERIDIAN RANCH
ROUGH GRADING/EROSION
CONTROL PLAN
PLAN SHEET

Drawn by LCA
Checked by TAK
Date DEC 2017

Scale AS SHOWN
6 of 22



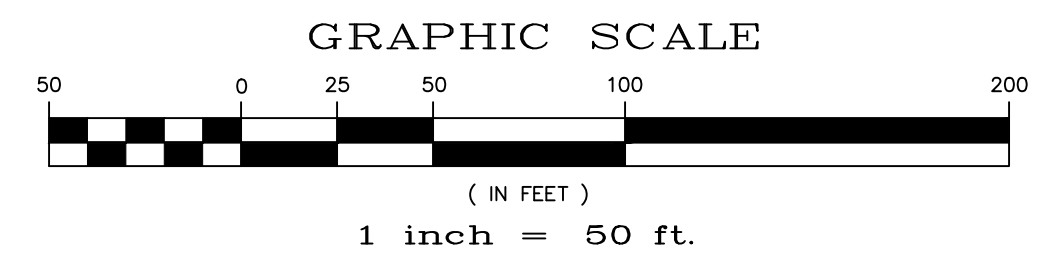
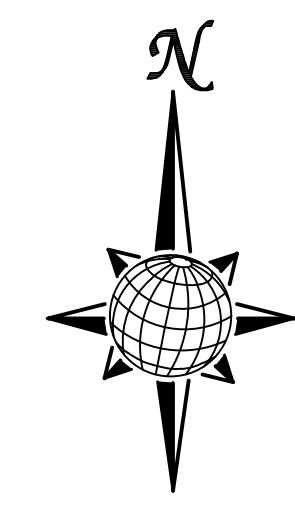
**INDEX MAP
N.T.S.**

LEGEND

SYMBOL	ACRONYM	DESCRIPTION
		STRAW BALES
		EROSION WATTLES PER DETAIL SHEET 22
		EROSION CONTROL BLANKET PER DETAIL ECB-1 & ECB-2 DCM VOL. 2
		RCP REINFORCED CONCRETE PIPE
	(SF)	SILT FENCE PER DETAIL SF-1, SF-2 & SF-3 DCM VOL. 2
	(VTC)	VEHICLE TRACKING CONTROL PER DETAIL VT-2 DCM VOL. 2
	(IP)	INLET PROTECTION PER DETAIL SHEET 22
		LIMITS OF GRADING
		EXISTING CONTOUR (10')
		EXISTING CONTOUR (2')
		PROPOSED CONTOUR (10')
		PROPOSED CONTOUR (2')
		GRADE
		2.00%
		75
		LOT GRADE TYPE
		EXISTING STOCKPILE AREAS

NOTE: A PORTION OF THE SITE CONTAINS UNDOCUMENTED FILL OF VARIOUS PILES OF SPOIL MATERIAL FROM FOUNDATION EXCAVATIONS. AN ESTIMATED QUANTITY OF THIS UNDOCUMENTED FILL WAS CALCULATED INTO THE EARTHWORK TO PROVIDE A BALANCED GRADED SITE. THE CONTRACTOR SHALL PROVIDE THEIR OWN FINAL ESTIMATE OF ACTUAL USABLE MATERIAL OUT OF THE SPOIL SITES BASED ON BEST PRACTICES AND FIELD VERIFICATION. THE CONTRACTOR SHALL REMOVE ALL UNSUITABLE MATERIAL FROM THE SITE AND DISPOSE OF IT PROPERLY.

NOTE:
ALL CONTOURS SHOWN WITHIN THE PLAN SET ARE TO FINISHED SURFACE. ALL STREET SECTIONS ARE TO BE GRADED TO ROUGH SUB-GRADE AS SHOWN IN THEIR RESPECTIVE TYPICAL STREET SECTION SHOWN ON SHEET 21.
CONTRACTOR SHALL PROTECT ALL EXISTING UTILITIES.
EX. UTILITIES SEE CONSTRUCTION DRAWINGS FOR:
1)STONEBRIDGE FILING 1 AT MERIDIAN RANCH
2)STONEBRIDGE FILING 3 AT MERIDIAN RANCH
3)LONDONDERRY DRIVE/LAMBERT ROAD CONSTRUCTION DRAWINGS
4)STAPLETON DRIVE CONSTRUCTION DRAWINGS
5)GUTHRIE RAW WATER EXTENSION THE VISTAS FILING 1 OFFSITE
6)MERIDIAN RANCH FILING 11
7)VISTAS FILING 1 AT MERIDIAN RANCH

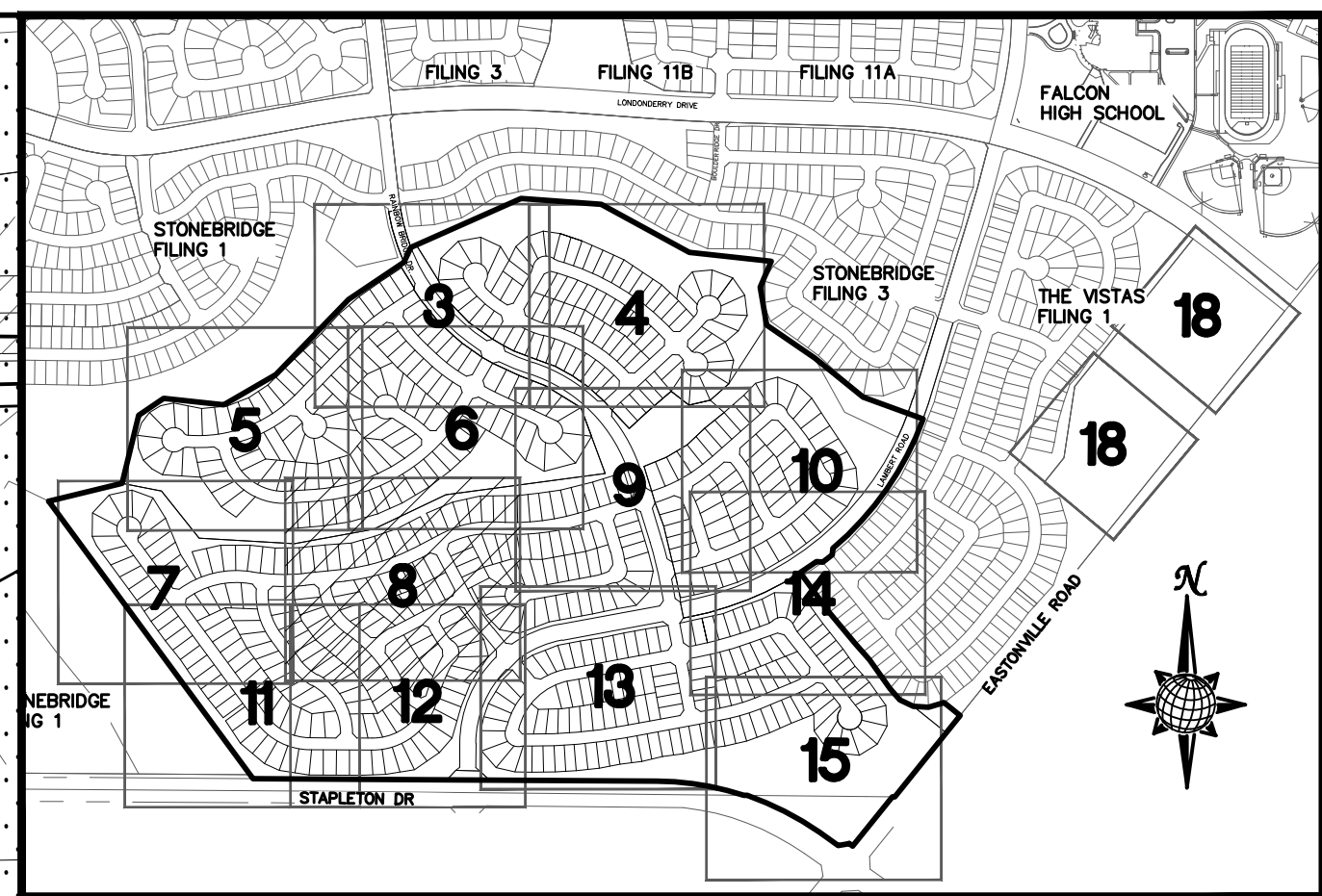
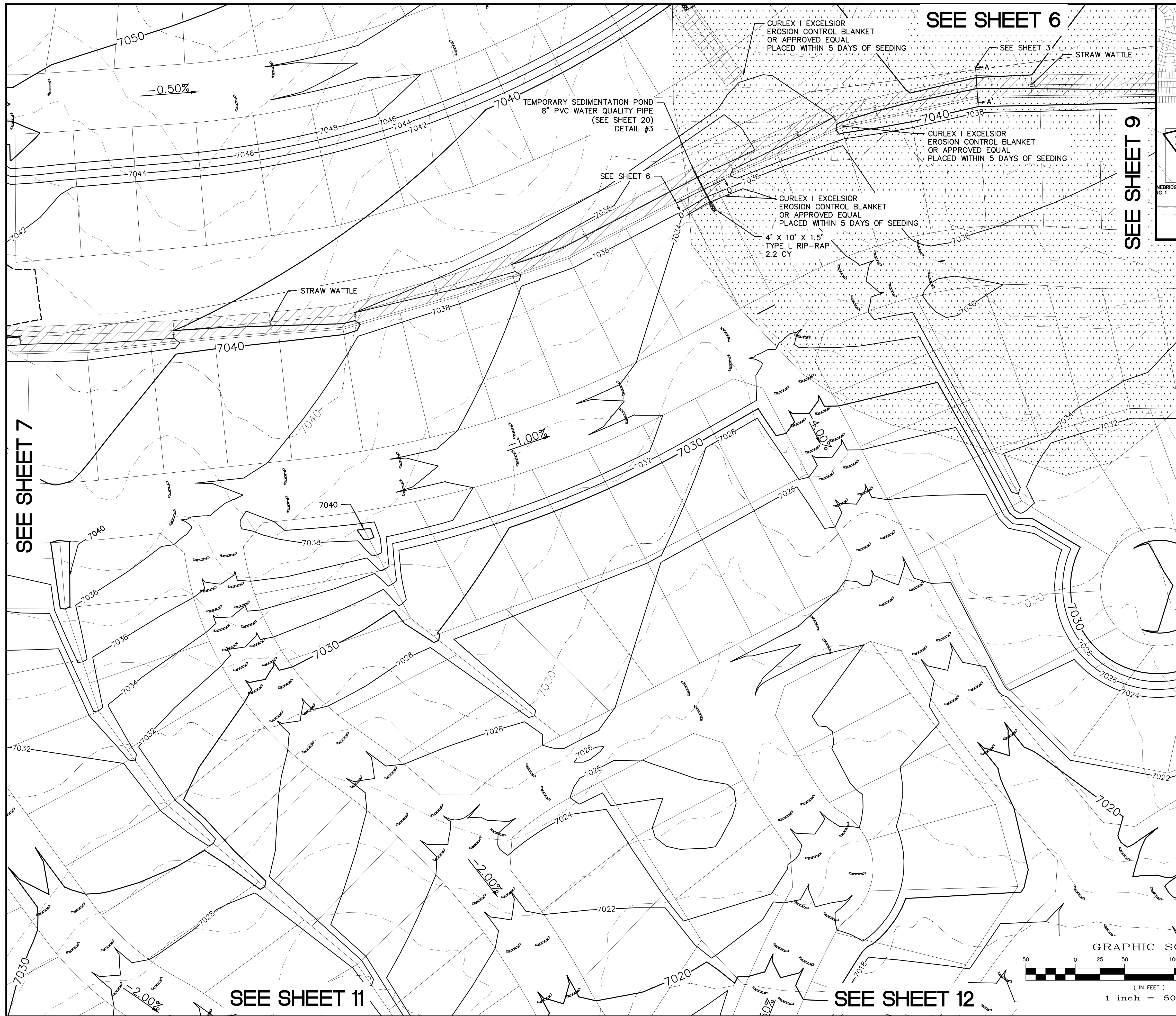


**TWO WORKING DAYS
BEFORE YOU DIG
CALL 811**

OR
UTILITY NOTIFICATION CENTER OF COLORADO
1-800-922-1987
(SEE COVER FOR LIST OF UTILITY CONTACTS)

TECH CONTRACTORS 11886 STAPLETON DRIVE FALCON, CO 80831 TELEPHONE: 719.495.7444 FAX: 719.495.2457		MERIDIAN RANCH 		ROUGH GRADING WINDINGWALK AT MERIDIAN RANCH ROUGH GRADING/EROSION CONTROL PLAN PLAN SHEET	
Drawn by AS SHOWN	Checked by TAK	Date DEC 2007	Scale AS SHOWN	7 of 22	Revisions
					No. Date
					Instr. Date
					Appr. Date

S:\C:\p\proj\Winding Walk Filing 1\DWG\PLAN SHEETS\WINDING WALK 1.ROUGH GRADING.dwg, 07 LAYOUT, 12/13/2017 8:49:43 AM



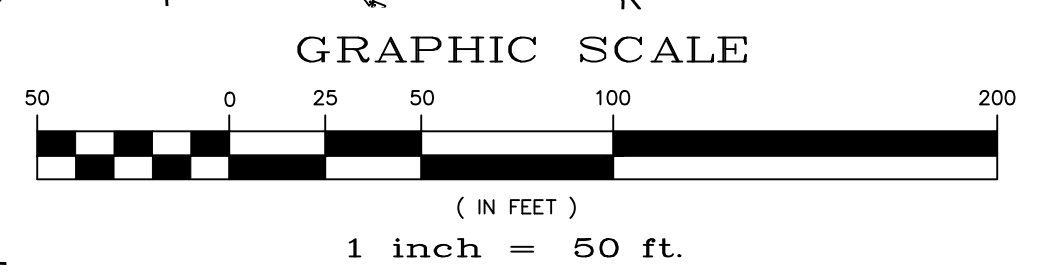
INDEX MAP
N.T.S.

LEGEND

SYMBOL	ACRONYM	DESCRIPTION
		STRAW BALES
		EROSION WATTLES PER DETAIL SHEET 22
		EROSION CONTROL BLANKET PER DETAIL ECB-1 & ECB-2 DCM VOL. 2
		RCP REINFORCED CONCRETE PIPE
	SF	SILT FENCE PER DETAIL SF-1, SF-2 & SF-3 DCM VOL. 2
	VTC	VEHICLE TRACKING CONTROL PER DETAIL VT-2 DCM VOL. 2
	IP	INLET PROTECTION PER DETAIL SHEET 22
		LIMITS OF GRADING
		EXISTING CONTOUR (10')
		EXISTING CONTOUR (2')
		PROPOSED CONTOUR (10')
		PROPOSED CONTOUR (2')
		GRADE 2.00%
		GRADE 75
		LOT NUMBER
		LOT GRADE TYPE
		EXISTING STOCKPILE AREAS NOTE: A PORTION OF THE SITE CONTAINS UNDOCUMENTED FILL OF VARIOUS PILES OF SPOIL MATERIAL FROM FOUNDATION EXCAVATIONS. AN ESTIMATED QUANTITY OF THIS UNDOCUMENTED FILL WAS CALCULATED INTO THE EARTHWORK TO PROVIDE A BALANCED GRADED SITE. THE CONTRACTOR SHALL PROVIDE THEIR OWN FINAL ESTIMATE OF ACTUAL USABLE MATERIAL OUT OF THE SPOIL SITES BASED ON BEST PRACTICES AND FIELD VERIFICATION. THE CONTRACTOR SHALL REMOVE ALL UNSUITABLE MATERIAL FROM THE SITE AND DISPOSE OF IT PROPERLY.

NOTE:
ALL CONTOURS SHOWN WITHIN THE PLAN SET ARE TO FINISHED SURFACE. ALL STREET SECTIONS ARE TO BE GRADED TO ROUGH SUB-GRADE AS SHOWN IN THEIR RESPECTIVE TYPICAL STREET SECTION SHOWN ON SHEET 21.

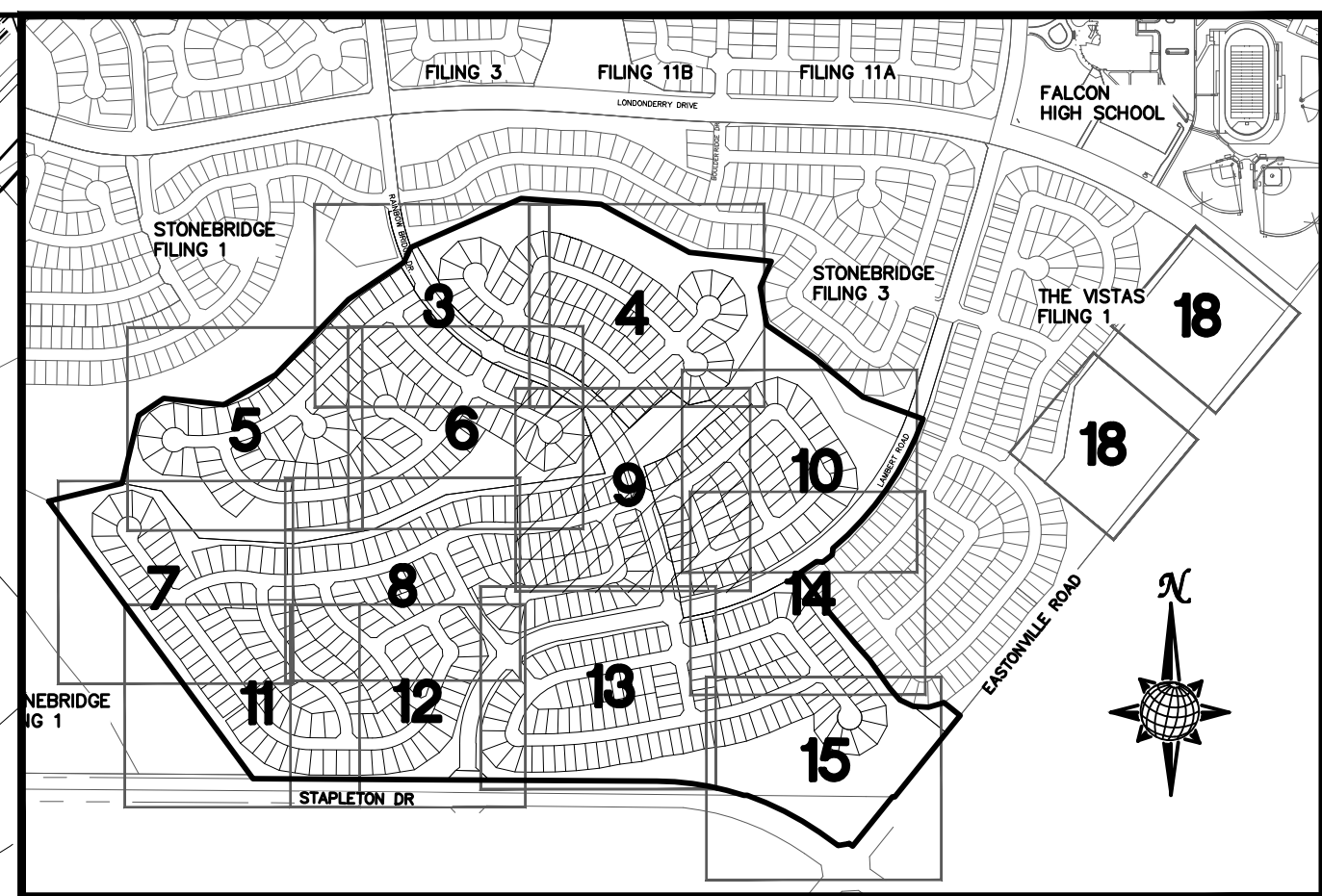
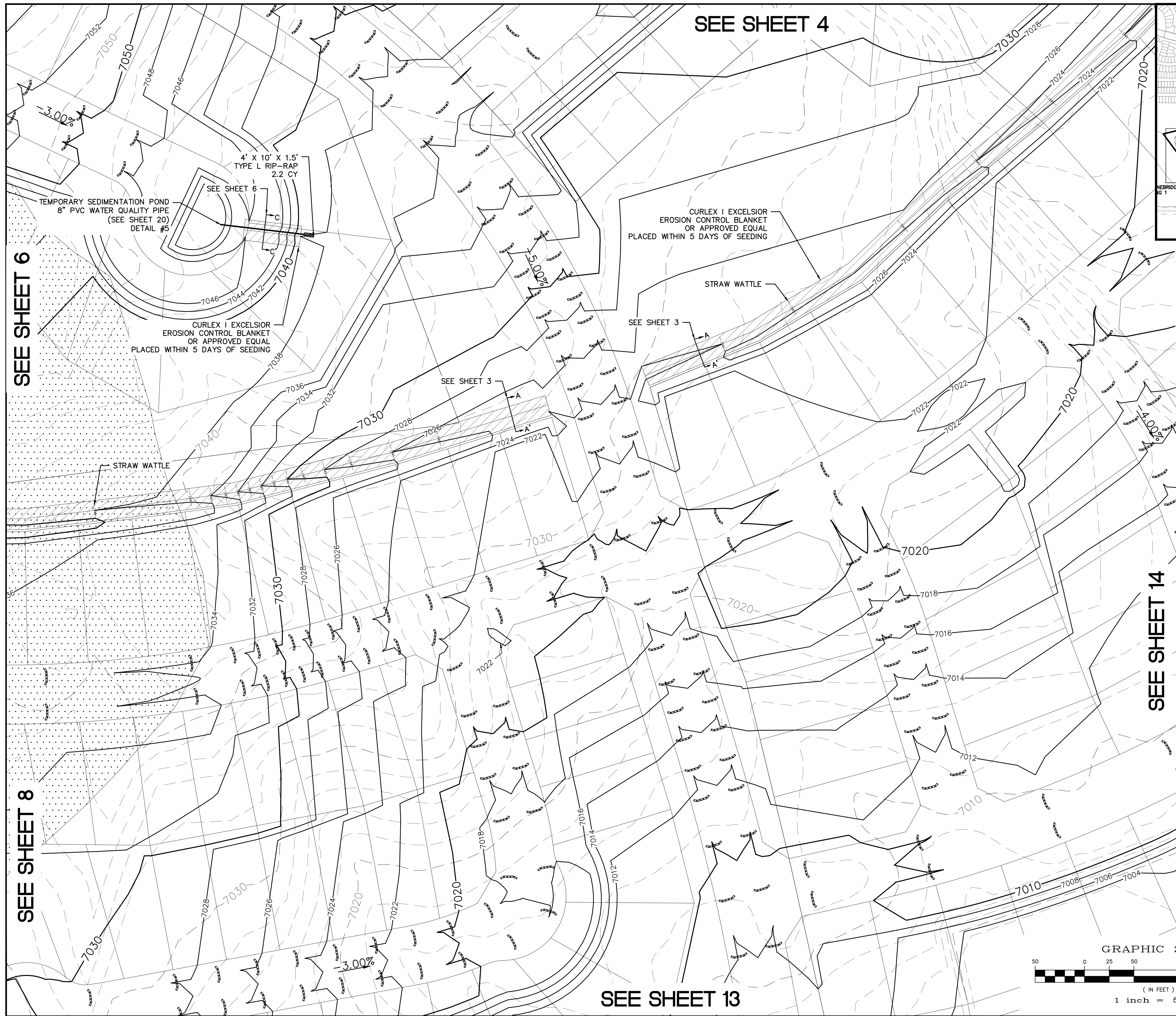
CONTRACTOR SHALL PROTECT ALL EXISTING UTILITIES.
EX. UTILITIES SEE CONSTRUCTION DRAWINGS FOR:
1) STONEBRIDGE FILING 1 AT MERIDIAN RANCH
2) STONEBRIDGE FILING 3 AT MERIDIAN RANCH
3) LONDONDERRY DRIVE/LAMBERT ROAD CONSTRUCTION DRAWINGS
4) STAPLETON DRIVE CONSTRUCTION DRAWINGS
5) GUTHRIE RAW WATER EXTENSION THE VISTAS FILING 1 OFFSITE
6) MERIDIAN RANCH FILING 11
7) VISTAS FILING 1 AT MERIDIAN RANCH



TWO WORKING DAYS BEFORE YOU DIG CALL 811

OR
UTILITY NOTIFICATION CENTER OF COLORADO
1-800-922-1987
(SEE COVER FOR LIST OF UTILITY CONTACTS)

TECH CONTRACTORS 11886 STAPLETON DRIVE FALCON, CO 80831 TELEPHONE: 719.495.7444 FAX: 719.495.2457		MERIDIAN RANCH 		ROUGH GRADING WINDINGWALK AT MERIDIAN RANCH ROUGH GRADING/EROSION CONTROL PLAN PLAN SHEET	
Drawn by	LCA	Checked by	TAK	Date	DEC 2017
Scale	AS SHOWN	8	of	22	
Revisions	No.	Date	Instr.	Appr.	Date



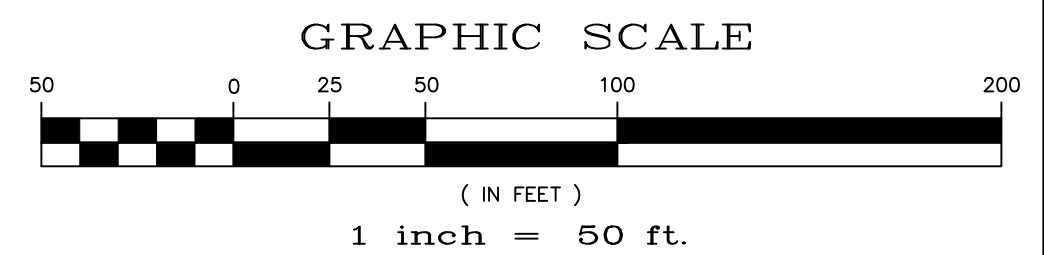
INDEX MAP
N.T.S.

LEGEND

SYMBOL	ACRONYM	DESCRIPTION
		STRAW BALES
		EROSION WATTLES PER DETAIL SHEET 22
		EROSION CONTROL BLANKET PER DETAIL ECB-1 & ECB-2 DCM VOL. 2
	RCP	REINFORCED CONCRETE PIPE
	SF	SILT FENCE PER DETAIL SF-1, SF-2 & SF-3 DCM VOL. 2
	UTC	VEHICLE TRACKING CONTROL PER DETAIL VT-2 DCM VOL. 2
	IP	INLET PROTECTION PER DETAIL SHEET 22
		LIMITS OF GRADING
		EXISTING CONTOUR (10')
		EXISTING CONTOUR (2')
		PROPOSED CONTOUR (10')
		PROPOSED CONTOUR (2')
		GRADE
		LOT NUMBER
		LOT GRADE TYPE
		EXISTING STOCKPILE AREAS NOTE: A PORTION OF THE SITE CONTAINS UNDOCUMENTED FILL OF VARIOUS PILES OF SPOIL MATERIAL FROM FOUNDATION EXCAVATIONS. AN ESTIMATED QUANTITY OF THIS UNDOCUMENTED FILL WAS CALCULATED INTO THE EARTHWORK TO PROVIDE A BALANCED GRADED SITE. THE CONTRACTOR SHALL PROVIDE THEIR OWN FINAL ESTIMATE OF ACTUAL USABLE MATERIAL OUT OF THE SPOIL SITES BASED ON BEST PRACTICES AND FIELD VERIFICATION. THE CONTRACTOR SHALL REMOVE ALL UNSUITABLE MATERIAL FROM THE SITE AND DISPOSE OF IT PROPERLY.

NOTE:
ALL CONTOURS SHOWN WITHIN THE PLAN SET ARE TO FINISHED SURFACE. ALL STREET SECTIONS ARE TO BE GRADED TO ROUGH SUB-GRADE AS SHOWN IN THEIR RESPECTIVE TYPICAL STREET SECTION SHOWN ON SHEET 21.

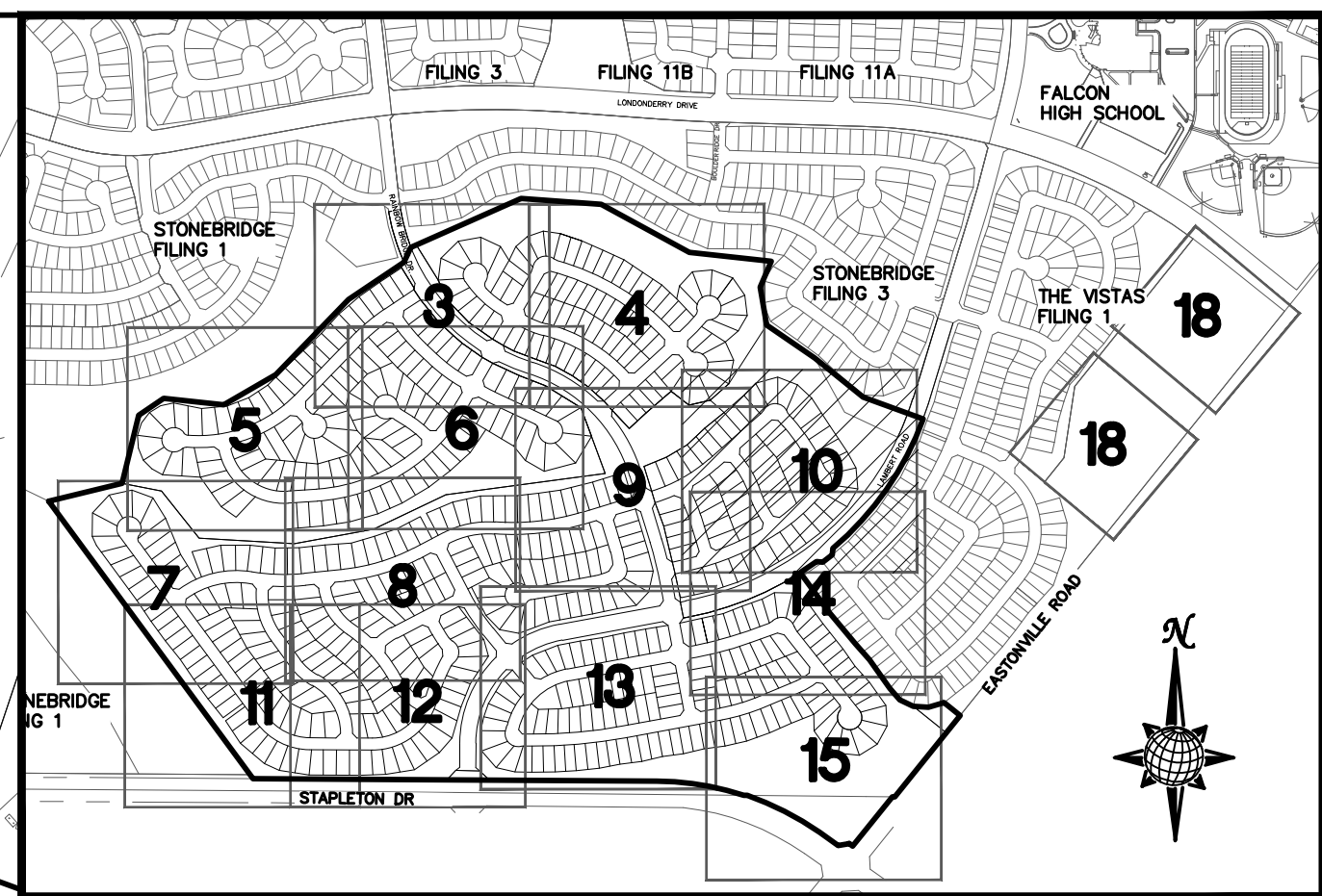
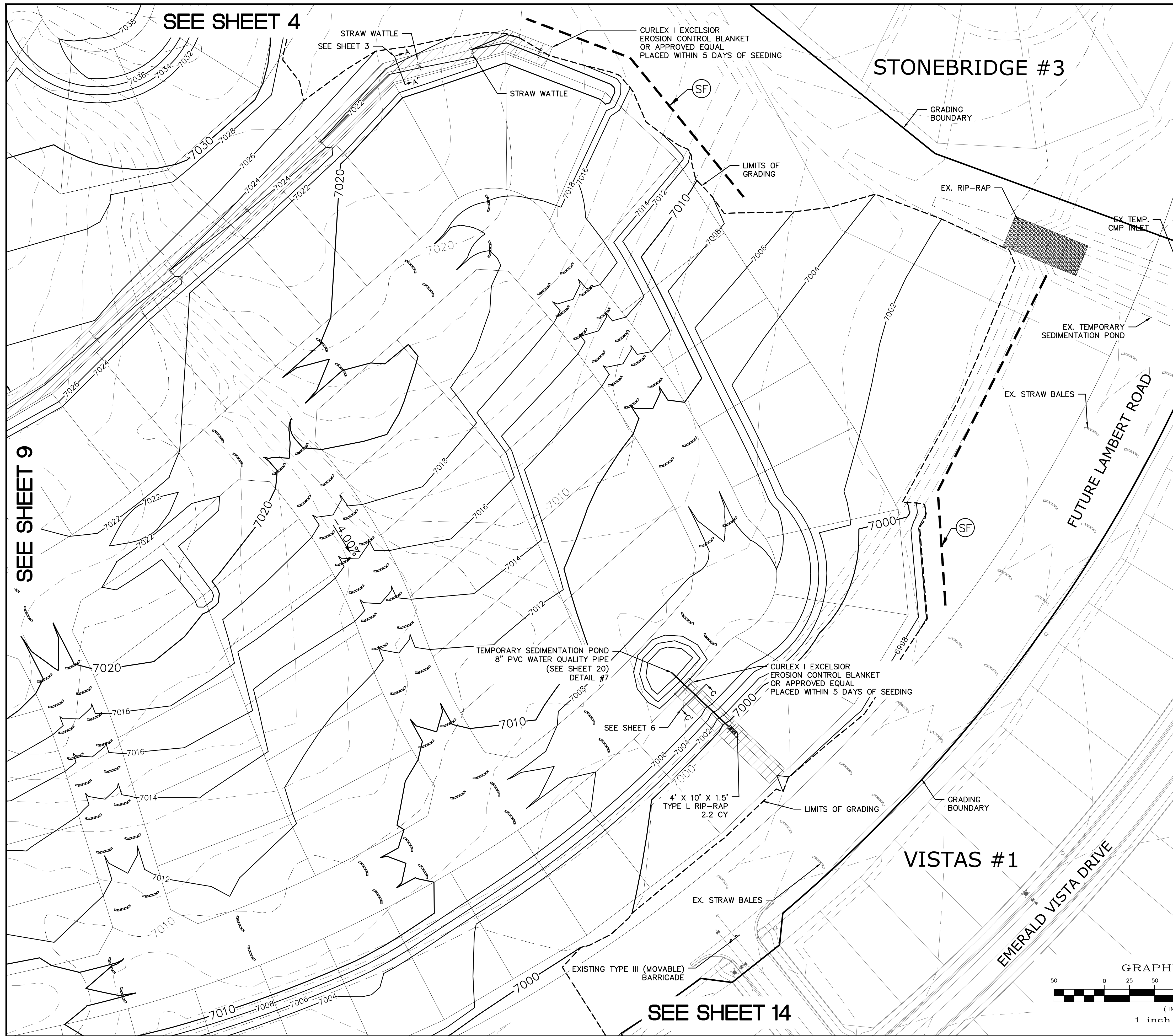
CONTRACTOR SHALL PROTECT ALL EXISTING UTILITIES.
EX. UTILITIES SEE CONSTRUCTION DRAWINGS FOR:
1)STONEBRIDGE FILING 1 AT MERIDIAN RANCH
2)STONEBRIDGE FILING 3 AT MERIDIAN RANCH
3)LONDONDERRY DRIVE/LAMBERT ROAD CONSTRUCTION DRAWINGS
4)STAPLETON DRIVE CONSTRUCTION DRAWINGS
5)GUTHRIE RAW WATER EXTENSION THE VISTAS FILING 1 OFFSITE
6)MERIDIAN RANCH FILING 11
7)VISTAS FILING 1 AT MERIDIAN RANCH



TWO WORKING DAYS BEFORE YOU DIG CALL 811

OR
UTILITY NOTIFICATION CENTER OF COLORADO
1-800-922-1987
(SEE COVER FOR LIST OF UTILITY CONTACTS)

Scale AS SHOWN	Drawn by LCA	Checked by TKR	Date DEC 2017
	<p>ROUGH GRADING WINDINGWALK AT MERIDIAN RANCH ROUGH GRADING/EROSION CONTROL PLAN PLAN SHEET</p>		
TECH CONTRACTORS 11886 STAPLETON DRIVE FALCON, CO 80831 TELEPHONE: 719.495.7444 FAX: 719.495.2457		No.	Revisions
		Date	Appr.
		Date	



INDEX MAP
N.T.S.

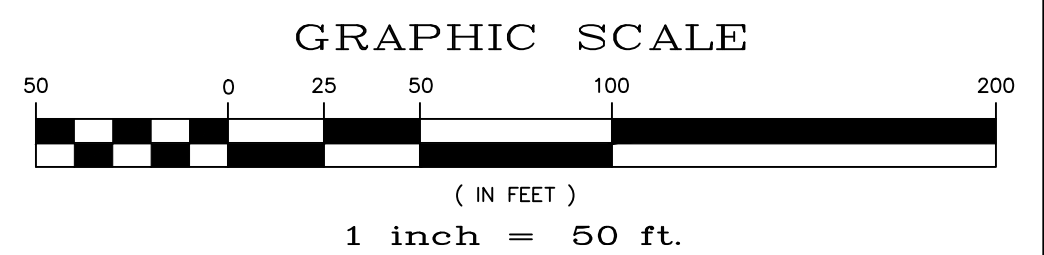
LEGEND

SYMBOL	ACRONYM	DESCRIPTION
		STRAW BALES
		EROSION WATTLES PER DETAIL SHEET 22
		EROSION CONTROL BLANKET PER DETAIL ECB-1 & ECB-2 DCM VOL. 2
		RCP REINFORCED CONCRETE PIPE
	SF	SILT FENCE PER DETAIL SF-1, SF-2 & SF-3 DCM VOL. 2
	UTC	VEHICLE TRACKING CONTROL PER DETAIL VT-2 DCM VOL. 2
	IP	INLET PROTECTION PER DETAIL SHEET 22
		LIMITS OF GRADING
		EXISTING CONTOUR (10')
		EXISTING CONTOUR (2')
		PROPOSED CONTOUR (10')
		PROPOSED CONTOUR (2')
		GRADE
		LOT NUMBER
		LOT GRADE TYPE
		EXISTING STOCKPILE AREAS

NOTE: A PORTION OF THE SITE CONTAINS UNDOCUMENTED FILL OF VARIOUS PILES OF SPOIL MATERIAL FROM FOUNDATION EXCAVATIONS. AN ESTIMATED QUANTITY OF THIS UNDOCUMENTED FILL WAS CALCULATED INTO THE EARTHWORK TO PROVIDE A BALANCED GRADED SITE. THE CONTRACTOR SHALL PROVIDE THEIR OWN FINAL ESTIMATE OF ACTUAL USABLE MATERIAL OUT OF THE SPOIL SITES BASED ON BEST PRACTICES AND FIELD VERIFICATION. THE CONTRACTOR SHALL REMOVE ALL UNSUITABLE MATERIAL FROM THE SITE AND DISPOSE OF IT PROPERLY.

NOTE: ALL CONTOURS SHOWN WITHIN THE PLAN SET ARE TO FINISHED SURFACE. ALL STREET SECTIONS ARE TO BE GRADED TO ROUGH SUB-GRADE AS SHOWN IN THEIR RESPECTIVE TYPICAL STREET SECTION SHOWN ON SHEET 21.

CONTRACTOR SHALL PROTECT ALL EXISTING UTILITIES.
EX. UTILITIES SEE CONSTRUCTION DRAWINGS FOR:
1)STONEBRIDGE FILING 1 AT MERIDIAN RANCH
2)STONEBRIDGE FILING 3 AT MERIDIAN RANCH
3)LONDONDERRY DRIVE/LAMBERT ROAD CONSTRUCTION DRAWINGS
4)STAPLETON DRIVE CONSTRUCTION DRAWINGS
5)GUTHRIE RAW WATER EXTENSION THE VISTAS FILING 1 OFFSITE
6)MERIDIAN RANCH FILING 11
7)VISTAS FILING 1 AT MERIDIAN RANCH



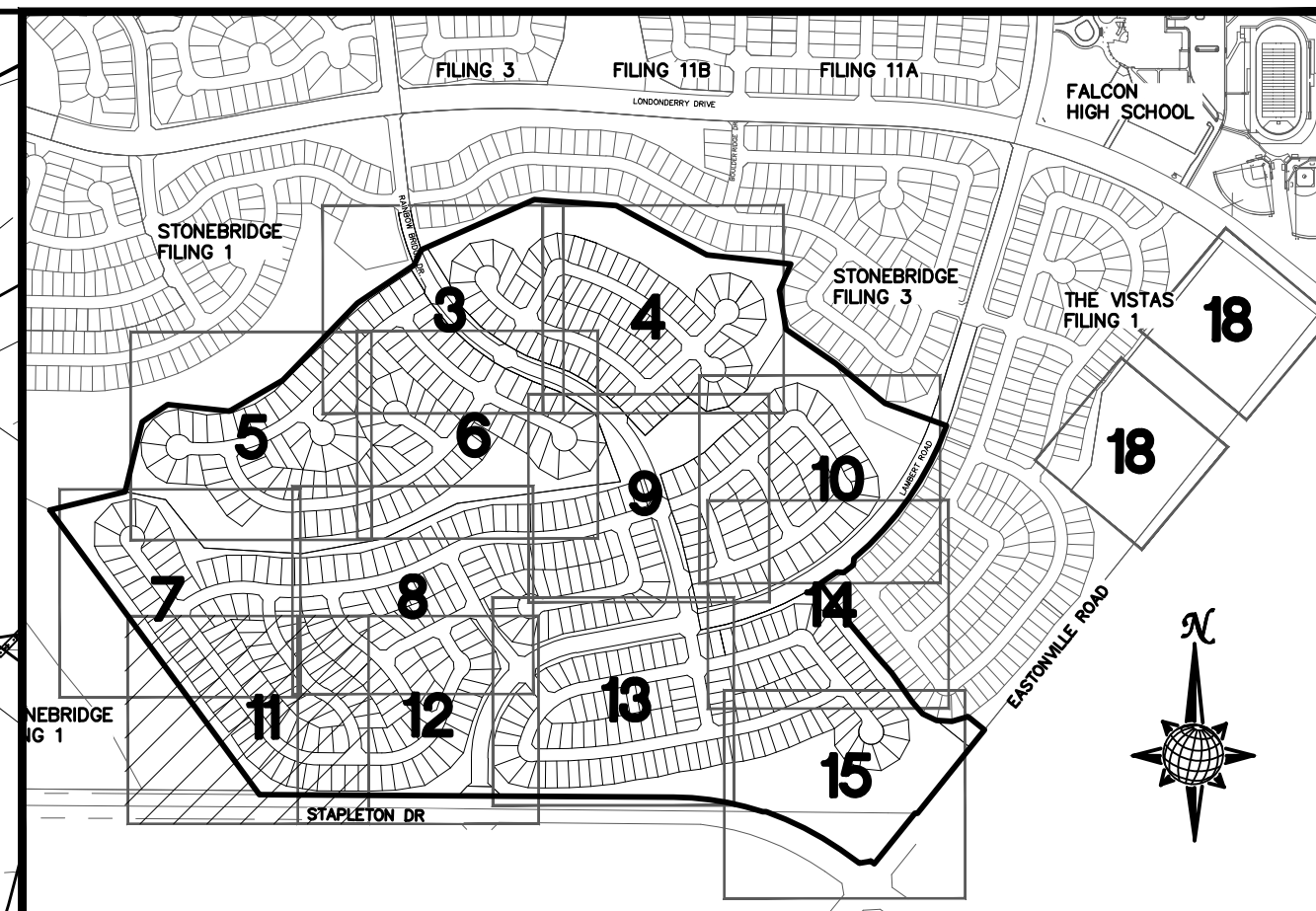
TWO WORKING DAYS
**BEFORE YOU DIG
CALL 811**

OR
UTILITY NOTIFICATION CENTER OF COLORADO
1-800-922-1987
(SEE COVER FOR LIST OF UTILITY CONTACTS)

TECH CONTRACTORS 11886 STAPLETON DRIVE FALCON, CO 80831 TELEPHONE: 719.495.7444 FAX: 719.495.2457	Revisions	No.	Date	Appr.	Date
<p>MERIDIAN RANCH</p>	ROUGH GRADING WINDINGWALK AT MERIDIAN RANCH ROUGH GRADING/EROSION CONTROL PLAN PLAN SHEET				
	Drawn by LCA	Checked by TKR	Date DEC 2017		
Scale AS SHOWN	10 of 22				

SEE SHEET 7

SEE SHEET 8



INDEX MAP
N.T.S.

LEGEND

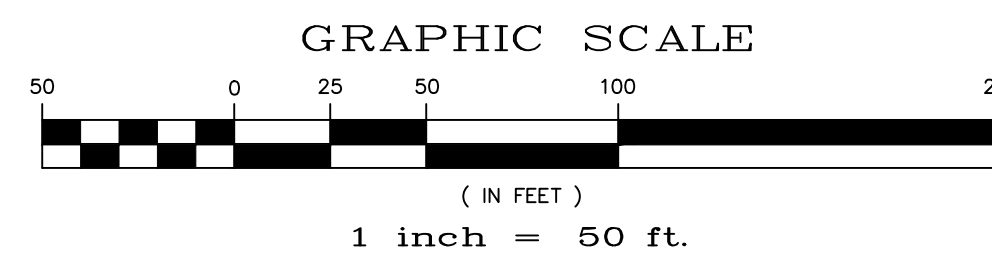
SYMBOL	ACRONYM	DESCRIPTION
		STRAW BALES
		EROSION WATTLES PER DETAIL SHEET 22
		EROSION CONTROL BLANKET PER DETAIL ECB-1 & ECB-2 DCM VOL. 2
	RCP	REINFORCED CONCRETE PIPE
	SF	SILT FENCE PER DETAIL SF-1, SF-2 & SF-3 DCM VOL. 2
	VTC	VEHICLE TRACKING CONTROL PER DETAIL VT-2 DCM VOL. 2
	IP	INLET PROTECTION PER DETAIL SHEET 22
		LIMITS OF GRADING
		EXISTING CONTOUR (10')
		EXISTING CONTOUR (2')
		PROPOSED CONTOUR (10')
		PROPOSED CONTOUR (2')
		GRADE
		LOT NUMBER
		LOT GRADE TYPE

SEE SHEET 12

EXISTING STOCKPILE AREAS
NOTE: A PORTION OF THE SITE CONTAINS UNDOCUMENTED FILL OF VARIOUS PILES OF SOIL MATERIAL FROM FOUNDATION EXCAVATIONS. AN ESTIMATED QUANTITY OF THIS UNDOCUMENTED FILL WAS CALCULATED INTO THE EARTHWORK TO PROVIDE A BALANCED GRADED SITE. THE CONTRACTOR SHALL PROVIDE THEIR OWN FINAL ESTIMATE OF ACTUAL USABLE MATERIAL OUT OF THE SOIL SITES BASED ON BEST PRACTICES AND FIELD VERIFICATION. THE CONTRACTOR SHALL REMOVE ALL UNSUITABLE MATERIAL FROM THE SITE AND DISPOSE OF IT PROPERLY.

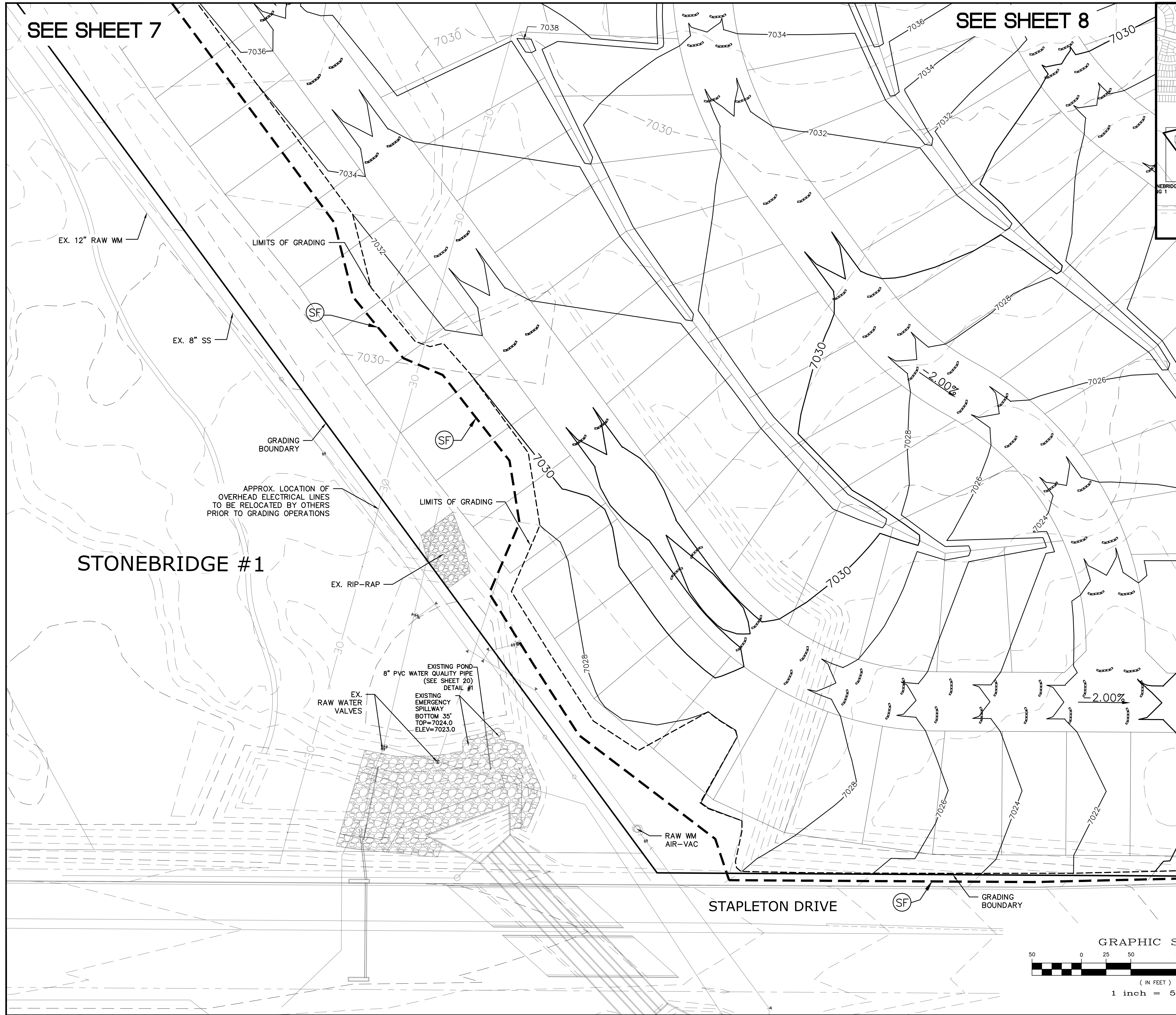
NOTE:
ALL CONTOURS SHOWN WITHIN THE PLAN SET ARE TO FINISHED SURFACE. ALL STREET SECTIONS ARE TO BE GRADED TO ROUGH SUB-GRADE AS SHOWN IN THEIR RESPECTIVE TYPICAL STREET SECTION SHOWN ON SHEET 21.

CONTRACTOR SHALL PROTECT ALL EXISTING UTILITIES.
EX. UTILITIES SEE CONSTRUCTION DRAWINGS FOR:
1)STONEBRIDGE FILING 1 AT MERIDIAN RANCH
2)STONEBRIDGE FILING 3 AT MERIDIAN RANCH
3)LONDONDERRY DRIVE/LAMBERT ROAD CONSTRUCTION DRAWINGS
4)STAPLETON DRIVE CONSTRUCTION DRAWINGS
5)GUTHRIE RAW WATER EXTENSION THE VISTAS FILING 1 OFFSITE
6)MERIDIAN RANCH FILING 11
7)VISTAS FILING 1 AT MERIDIAN RANCH



TWO WORKING DAYS
**BEFORE YOU DIG
CALL 811**

OR
UTILITY NOTIFICATION CENTER OF COLORADO
1-800-922-1987
(SEE COVER FOR LIST OF UTILITY CONTACTS)



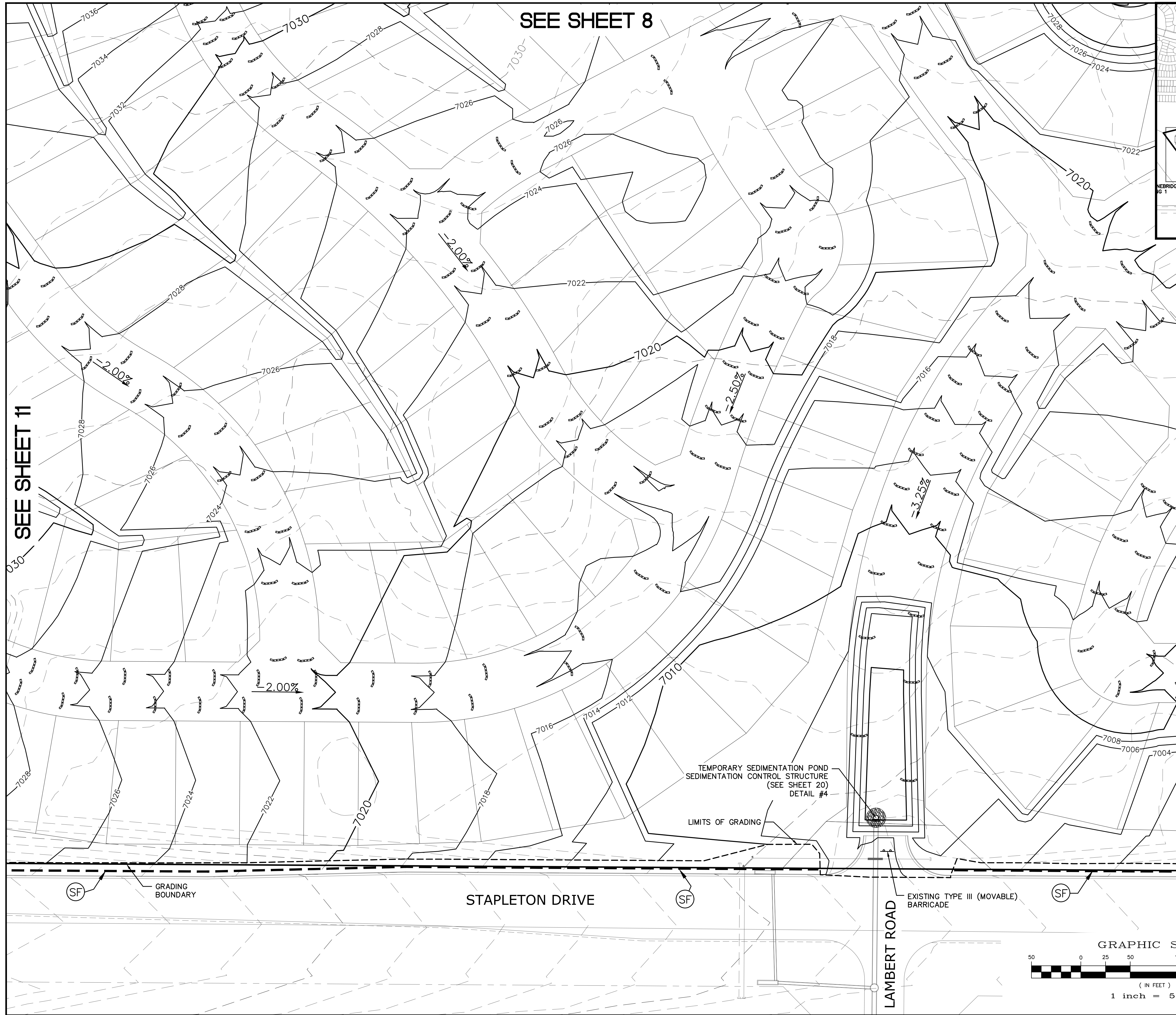
No.	Revisions	Date	Appr.	Date

TECH CONTRACTORS
11886 STAPLETON DRIVE
FALCON, CO 80831
TELEPHONE: 719.495.7444
FAX: 719.495.2457

MERIDIAN RANCH

ROUGH GRADING WINDINGWALK
AT MERIDIAN RANCH
ROUGH GRADING/EROSION
CONTROL PLAN
PLAN SHEET

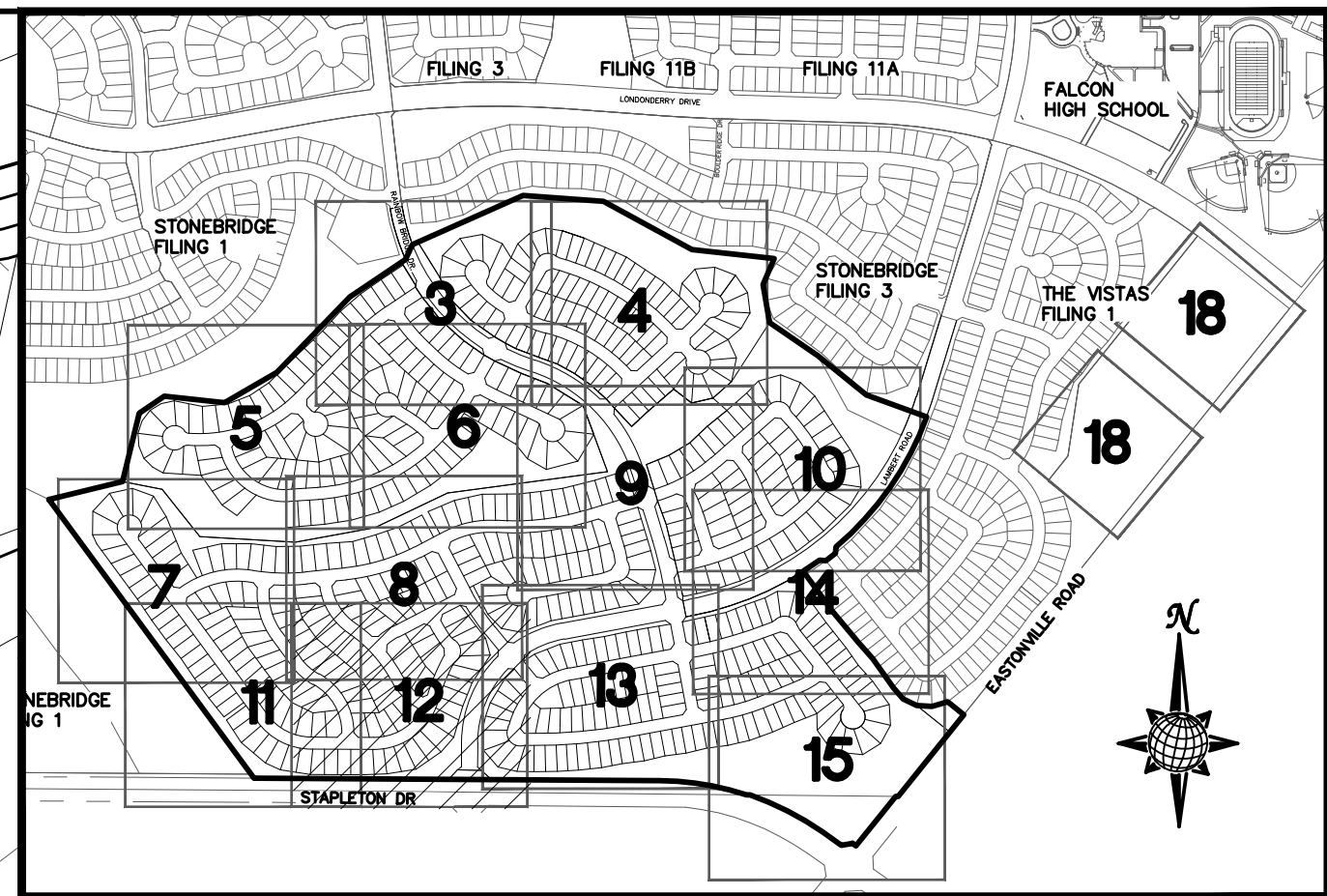
Drawn by	LOA	Checked by	TAK	Date	DEC 2017
Scale	AS SHOWN	11	of	22	



SEE SHEET 8

SEE SHEET 11

SEE SHEET 13



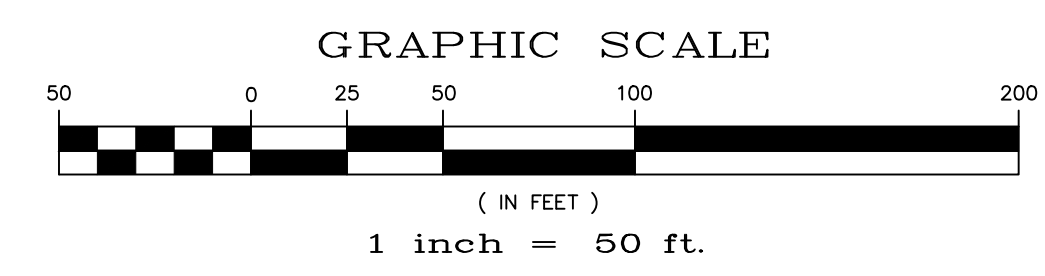
INDEX MAP
N.T.S.

LEGEND

SYMBOL	ACRONYM	DESCRIPTION
		STRAW BALES
		EROSION WATTLES PER DETAIL SHEET 22
		EROSION CONTROL BLANKET PER DETAIL ECB-1 & ECB-2 DCM VOL. 2
	RCP	REINFORCED CONCRETE PIPE
	SF	SILT FENCE PER DETAIL SF-1, SF-2 & SF-3 DCM VOL. 2
	VTC	VEHICLE TRACKING CONTROL PER DETAIL VT-2 DCM VOL. 2
	IP	INLET PROTECTION PER DETAIL SHEET 22
		LIMITS OF GRADING
		EXISTING CONTOUR (10')
		EXISTING CONTOUR (2')
		PROPOSED CONTOUR (10')
		PROPOSED CONTOUR (2')
		GRADE
		LOT NUMBER
		LOT GRADE TYPE
		EXISTING STOCKPILE AREAS NOTE: A PORTION OF THE SITE CONTAINS UNDOCUMENTED FILL OF VARIOUS PILES OF SPOIL MATERIAL FROM FOUNDATION EXCAVATIONS. AN ESTIMATED QUANTITY OF THIS UNDOCUMENTED FILL WAS CALCULATED INTO THE EARTHWORK TO PROVIDE A BALANCED GRADED SITE. THE CONTRACTOR SHALL PROVIDE THEIR OWN FINAL ESTIMATE OF ACTUAL USABLE MATERIAL OUT OF THE SPOIL SITES BASED ON BEST PRACTICES AND FIELD VERIFICATION. THE CONTRACTOR SHALL REMOVE ALL UNSUITABLE MATERIAL FROM THE SITE AND DISPOSE OF IT PROPERLY.

NOTE:
ALL CONTOURS SHOWN WITHIN THE PLAN SET ARE TO FINISHED SURFACE. ALL STREET SECTIONS ARE TO BE GRADED TO ROUGH SUB-GRADE AS SHOWN IN THEIR RESPECTIVE TYPICAL STREET SECTION SHOWN ON SHEET 21.

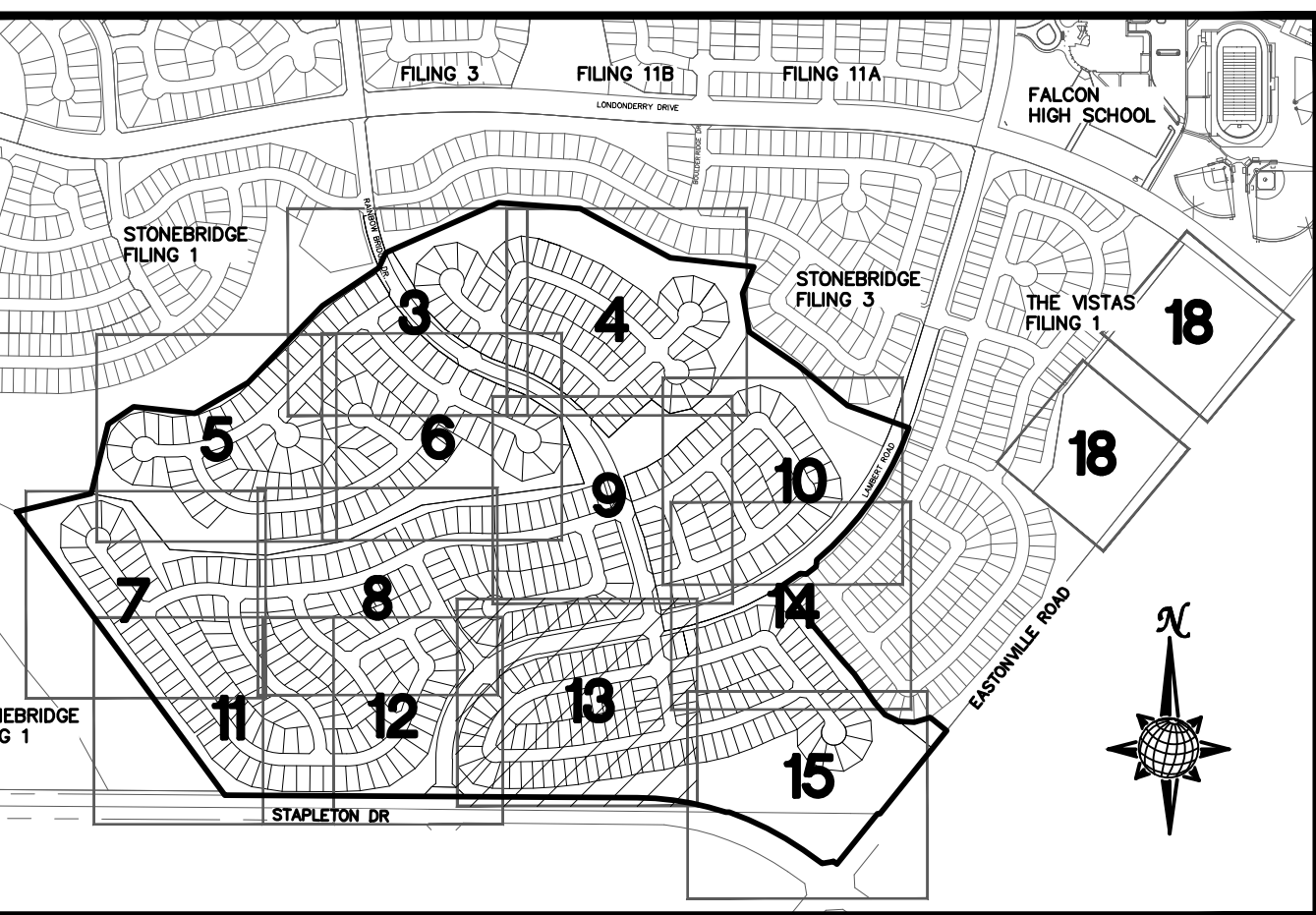
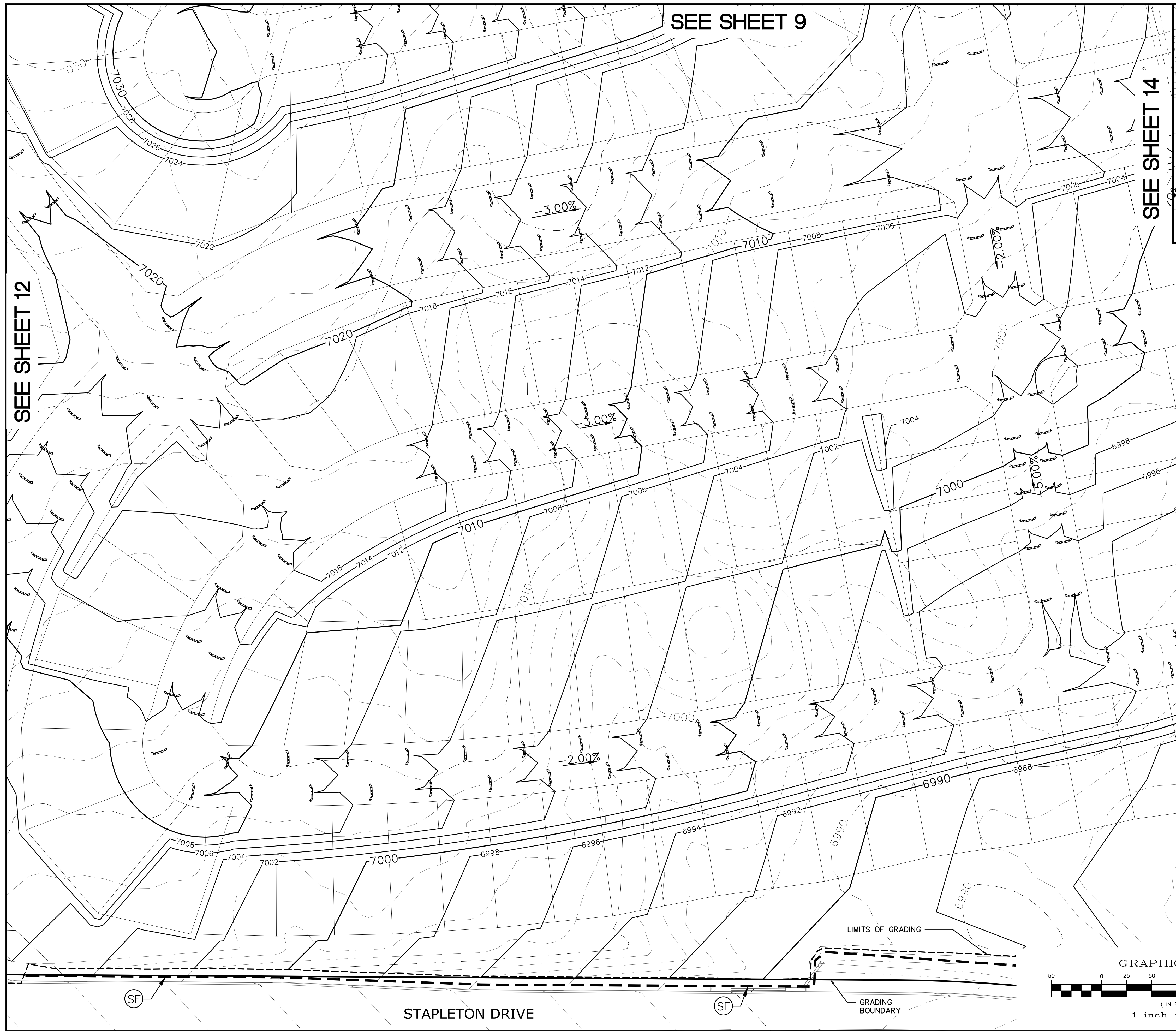
CONTRACTOR SHALL PROTECT ALL EXISTING UTILITIES.
EX. UTILITIES SEE CONSTRUCTION DRAWINGS FOR:
1)STONEBRIDGE FILING 1 AT MERIDIAN RANCH
2)STONEBRIDGE FILING 3 AT MERIDIAN RANCH
3)LONDONDERRY DRIVE/LAMBERT ROAD CONSTRUCTION DRAWINGS
4)STAPLETON DRIVE CONSTRUCTION DRAWINGS
5)GUTHRIE RAW WATER EXTENSION THE VISTAS FILING 1 OFFSITE
6)MERIDIAN RANCH FILING 11
7)VISTAS FILING 1 AT MERIDIAN RANCH



TWO WORKING DAYS
BEFORE YOU DIG
CALL 811

OR
UTILITY NOTIFICATION CENTER OF COLORADO
1-800-922-1987
(SEE COVER FOR LIST OF UTILITY CONTACTS)

TECH CONTRACTORS 11886 STAPLETON DRIVE FALCON, CO 80831 TELEPHONE: 719.495.7444 FAX: 719.495.2457		MERIDIAN RANCH		ROUGH GRADING WINDINGWALK AT MERIDIAN RANCH ROUGH GRADING/EROSION CONTROL PLAN PLAN SHEET	
Drawn by	LOA	Checked by	TAK	Date	DEC 2017
Scale	AS SHOWN	12	of	22	
Revisions		No.	Date	Instr.	Appr.
Date					



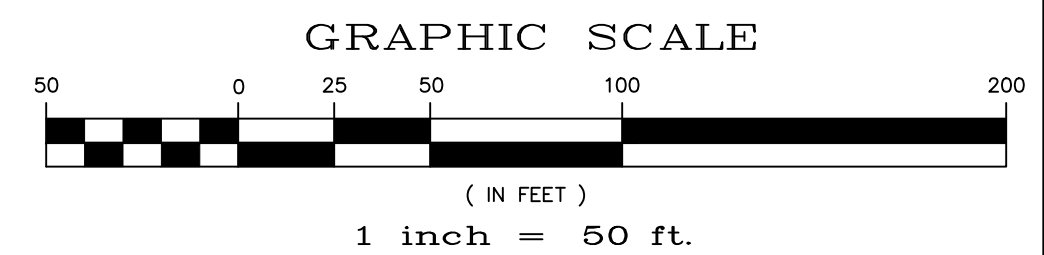
INDEX MAP
N.T.S.

LEGEND

SYMBOL	ACRONYM	DESCRIPTION
		STRAW BALES
		EROSION WATTLES PER DETAIL SHEET 22
		EROSION CONTROL BLANKET PER DETAIL ECB-1 & ECB-2 DCM VOL. 2
	RCP	REINFORCED CONCRETE PIPE
	SF	SILT FENCE PER DETAIL SF-1, SF-2 & SF-3 DCM VOL. 2
	VTC	VEHICLE TRACKING CONTROL PER DETAIL VT-2 DCM VOL. 2
	IP	INLET PROTECTION PER DETAIL SHEET 22
		LIMITS OF GRADING
		EXISTING CONTOUR (10')
		EXISTING CONTOUR (2')
		PROPOSED CONTOUR (10')
		PROPOSED CONTOUR (2')
		GRADE
		LOT NUMBER
		LOT GRADE TYPE
		EXISTING STOCKPILE AREAS NOTE: A PORTION OF THE SITE CONTAINS UNDOCUMENTED FILL OF VARIOUS PILES OF SPOIL MATERIAL FROM FOUNDATION EXCAVATIONS. AN ESTIMATED QUANTITY OF THIS UNDOCUMENTED FILL WAS CALCULATED INTO THE EARTHWORK TO PROVIDE A BALANCED GRADED SITE. THE CONTRACTOR SHALL PROVIDE THEIR OWN FINAL ESTIMATE OF ACTUAL USABLE MATERIAL OUT OF THE SPOIL SITES BASED ON BEST PRACTICES AND FIELD VERIFICATION. THE CONTRACTOR SHALL REMOVE ALL UNSUITABLE MATERIAL FROM THE SITE AND DISPOSE OF IT PROPERLY.

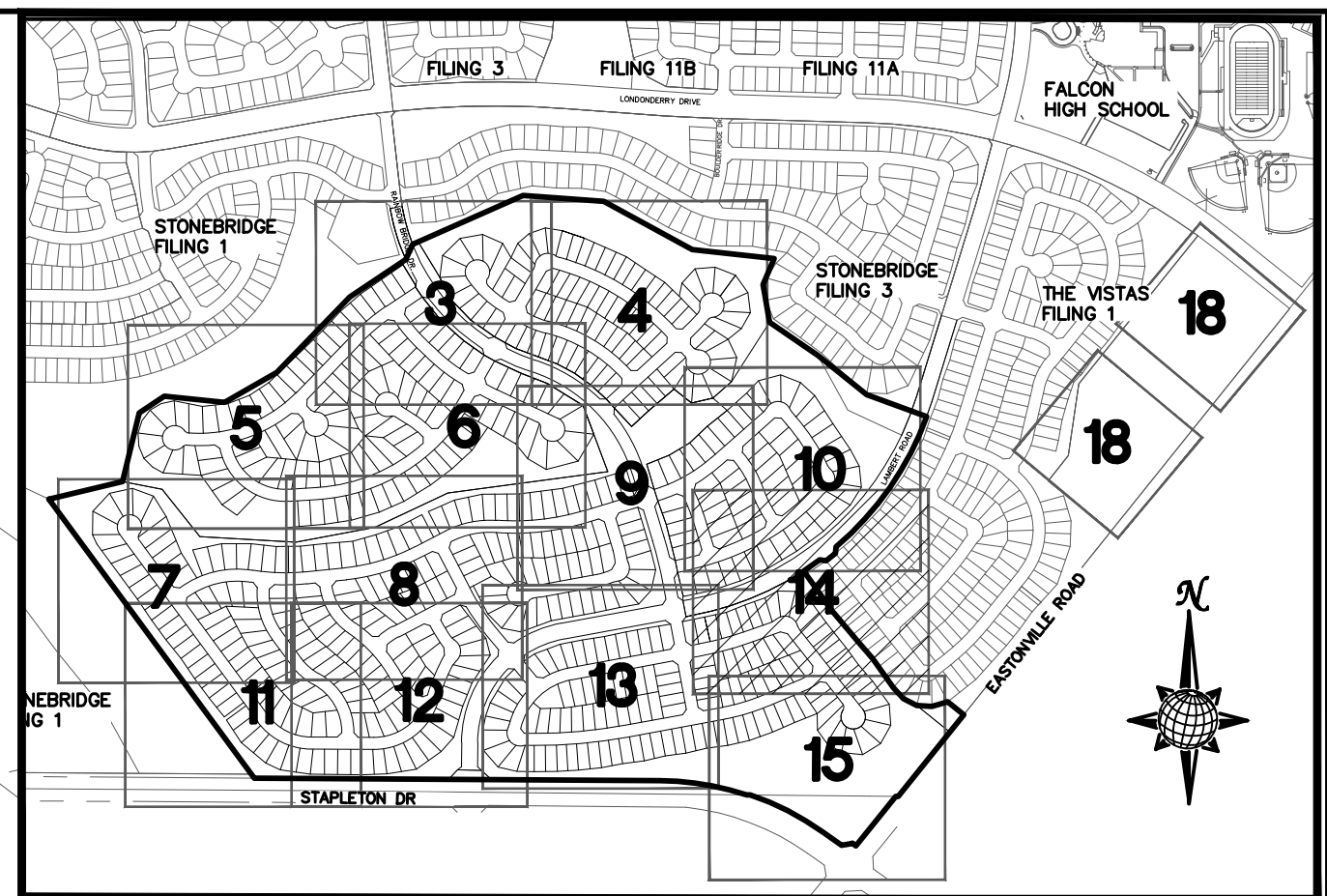
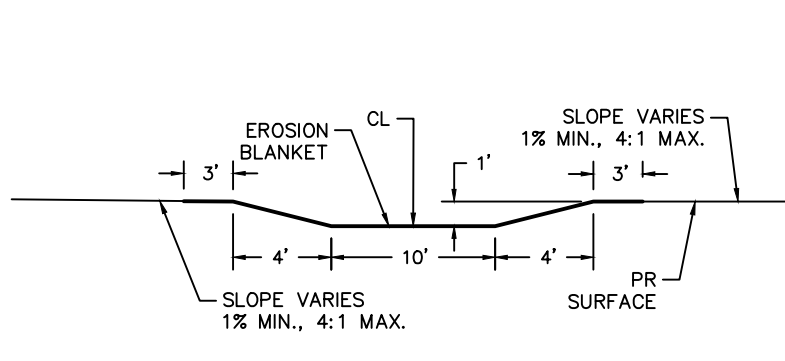
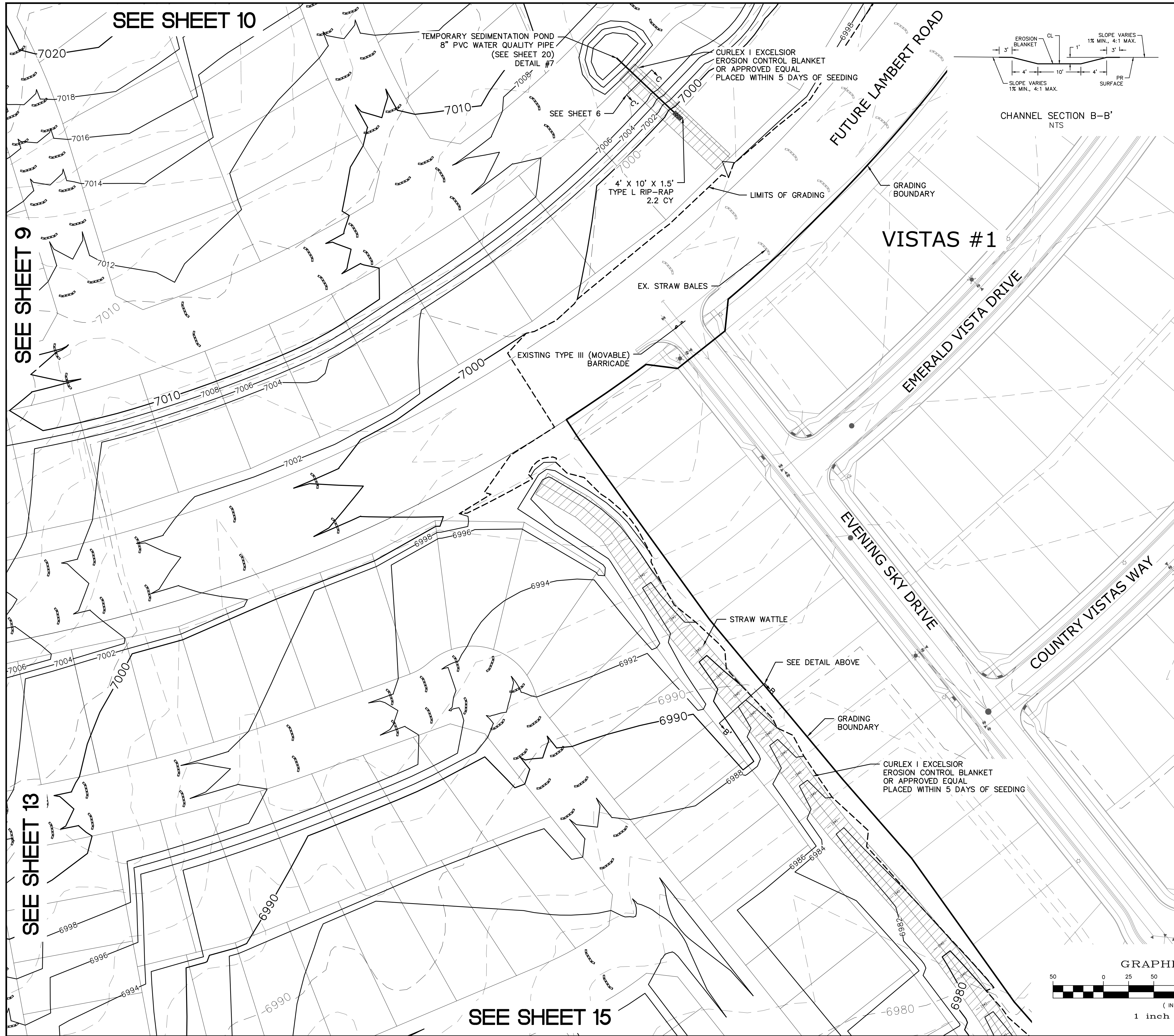
NOTE:
ALL CONTOURS SHOWN WITHIN THE PLAN SET ARE TO FINISHED SURFACE. ALL STREET SECTIONS ARE TO BE GRADED TO ROUGH SUB-GRADE AS SHOWN IN THEIR RESPECTIVE TYPICAL STREET SECTION SHOWN ON SHEET 21.

CONTRACTOR SHALL PROTECT ALL EXISTING UTILITIES.
EX. UTILITIES SEE CONSTRUCTION DRAWINGS FOR:
1)STONEBRIDGE FILING 1 AT MERIDIAN RANCH
2)STONEBRIDGE FILING 3 AT MERIDIAN RANCH
3)LONDONDERRY DRIVE/LAMBERT ROAD CONSTRUCTION DRAWINGS
4)STAPLETON DRIVE CONSTRUCTION DRAWINGS
5)GUTHRIE RAW WATER EXTENSION THE VISTAS FILING 1 OFFSITE
6)MERIDIAN RANCH FILING 11
7)VISTAS FILING 1 AT MERIDIAN RANCH



TWO WORKING DAYS
BEFORE YOU DIG
CALL 811
OR
UTILITY NOTIFICATION CENTER OF COLORADO
1-800-922-1987
(SEE COVER FOR LIST OF UTILITY CONTACTS)

Scale	AS SHOWN	13 of 22	Date	DEC 2017
	Drawn by			LCA
TECH CONTRACTORS		11886 STAPLETON DRIVE		FALCON, CO 80831
11886 STAPLETON DRIVE		FALCON, CO 80831		
TELEPHONE: 719.495.7444		FAX: 719.495.2457		
MERIDIAN RANCH				
ROUGH GRADING WINDINGWALK AT MERIDIAN RANCH ROUGH GRADING/EROSION CONTROL PLAN PLAN SHEET				
No.	Revisions	Date	Instr.	Appr.

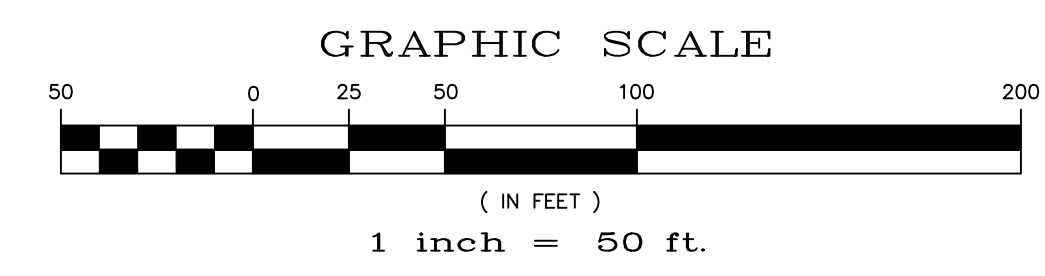


LEGEND

SYMBOL	ACRONYM	DESCRIPTION
		STRAW BALES
		EROSION WATTLES PER DETAIL SHEET 22
		EROSION CONTROL BLANKET PER DETAIL ECB-1 & ECB-2 DCM VOL. 2
		RCP REINFORCED CONCRETE PIPE
	SF	SILT FENCE PER DETAIL SF-1, SF-2 & SF-3 DCM VOL. 2
	VTC	VEHICLE TRACKING CONTROL PER DETAIL VT-2 DCM VOL. 2
	IP	INLET PROTECTION PER DETAIL SHEET 22
		LIMITS OF GRADING
		EXISTING CONTOUR (10')
		EXISTING CONTOUR (2')
		PROPOSED CONTOUR (10')
		PROPOSED CONTOUR (2')
		2.00% GRADE
		75 LOT NUMBER
		LOT GRADE TYPE
		EXISTING STOCKPILE AREAS NOTE: A PORTION OF THE SITE CONTAINS UNDOCUMENTED FILL OF VARIOUS PILES OF SPOIL MATERIAL FROM FOUNDATION EXCAVATIONS. AN ESTIMATED QUANTITY OF THIS UNDOCUMENTED FILL WAS CALCULATED INTO THE EARTHWORK TO PROVIDE A BALANCED GRADED SITE. THE CONTRACTOR SHALL PROVIDE THEIR OWN FINAL ESTIMATE OF ACTUAL USABLE MATERIAL OUT OF THE SPOIL SITES BASED ON BEST PRACTICES AND FIELD VERIFICATION. THE CONTRACTOR SHALL REMOVE ALL UNSUITABLE MATERIAL FROM THE SITE AND DISPOSE OF IT PROPERLY.

NOTE:
ALL CONTOURS SHOWN WITHIN THE PLAN SET
ARE TO FINISHED SURFACE. ALL STREET
SECTIONS ARE TO BE GRADED TO ROUGH
SUB-GRADE AS SHOWN IN THEIR RESPECTIVE
TYPICAL STREET SECTION SHOWN ON SHEET 21.

CONTRACTOR SHALL PROTECT ALL EXISTING
UTILITIES.
EX. UTILITIES SEE CONSTRUCTION DRAWINGS FOR:
1)STONEBRIDGE FILING 1 AT MERIDIAN RANCH
2)STONEBRIDGE FILING 3 AT MERIDIAN RANCH
3)LONDONDERRY DRIVE/LAMBERT ROAD
CONSTRUCTION DRAWINGS
4)STAPLETON DRIVE CONSTRUCTION DRAWINGS
5)GUTHRIE RAW WATER EXTENSION THE VISTAS
FILING 1 OFFSITE
6)MERIDIAN RANCH FILING 11
7)VISTAS FILING 1 AT MERIDIAN RANCH



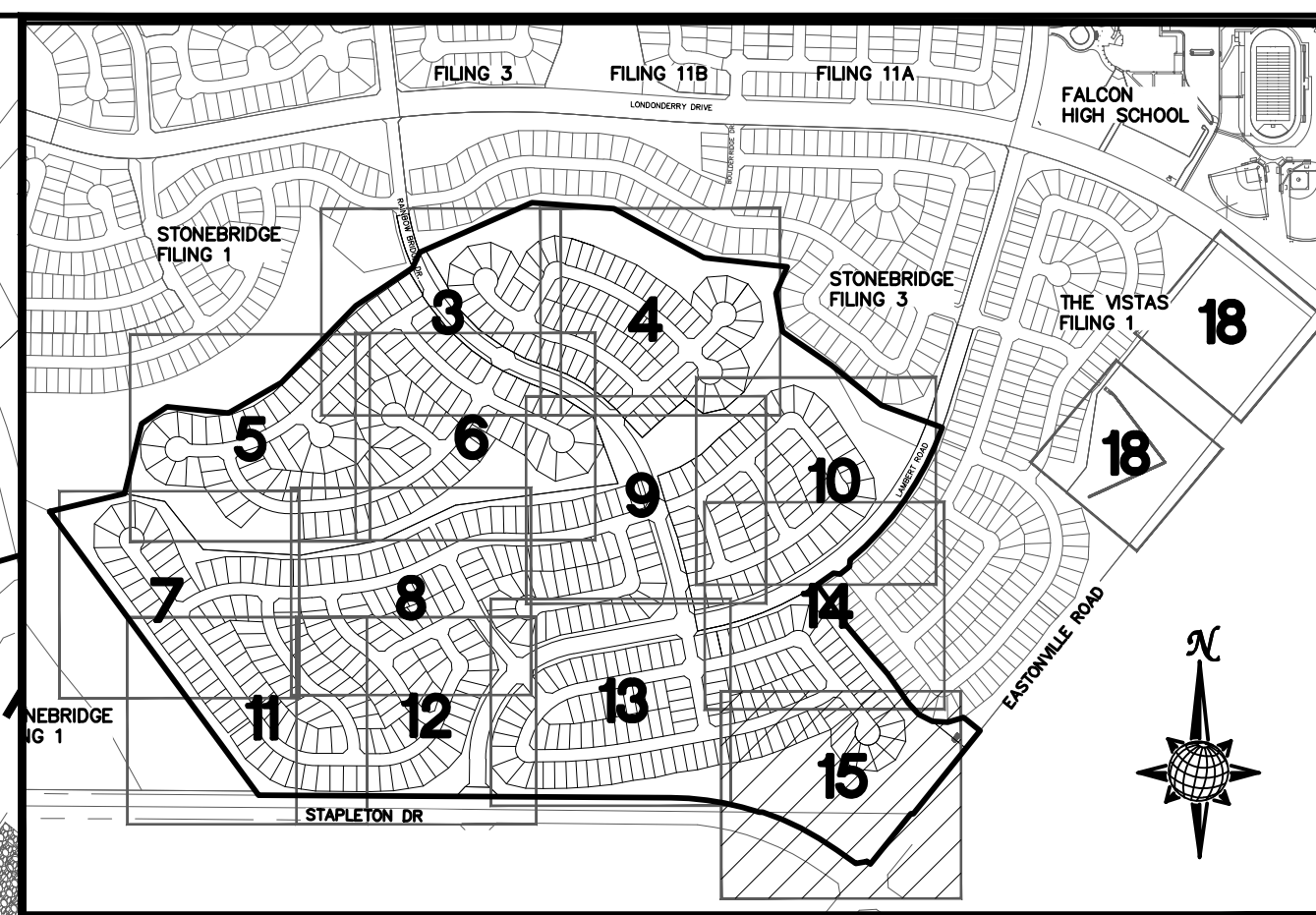
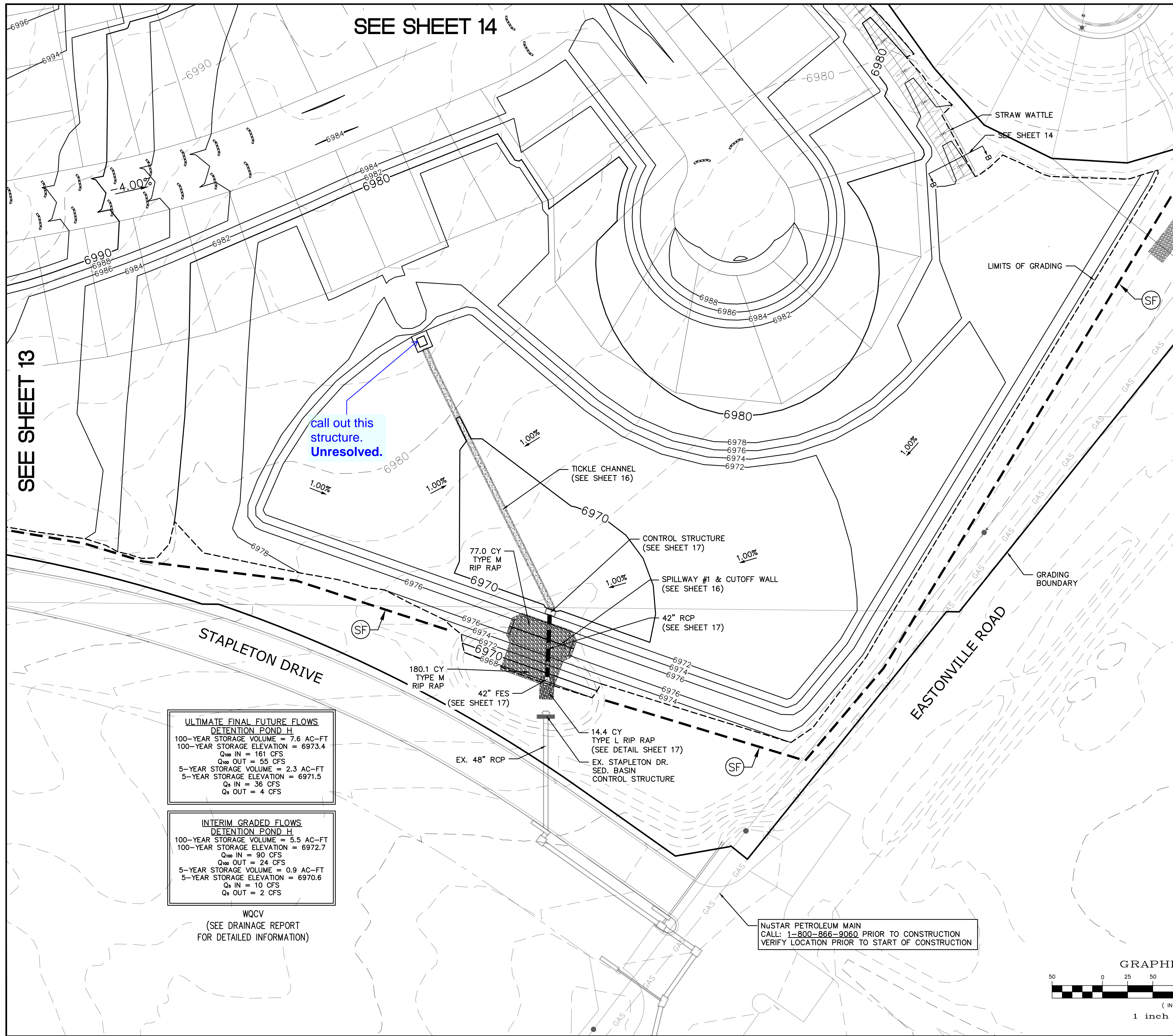
TWO WORKING DAYS
**BEFORE YOU DIG
CALL 811**

OR
UTILITY NOTIFICATION CENTER OF COLORADO
1-800-922-1987
(SEE COVER FOR LIST OF UTILITY CONTACTS)

TECH CONTRACTORS 11886 STAPLETON DRIVE FALCON, CO 80831 TELEPHONE: 719.495.7444 FAX: 719.495.2457	Revisions	No.	Date	Appr.	Date
 MERIDIAN RANCH ROUGH GRADING WINDINGWALK AT MERIDIAN RANCH ROUGH GRADING/EROSION CONTROL PLAN PLAN SHEET	Drawn by	LCB	Checked by	TAK	Date
	Scale	AS SHOWN	14 of	22	DEC 2017

SEE SHEET 14

SEE SHEET 13



INDEX MAP
N.T.S.

LEGEND

SYMBOL	ACRONYM	DESCRIPTION
		STRAW BALES
		EROSION WATTLES PER DETAIL SHEET 22
		EROSION CONTROL BLANKET PER DETAIL ECB-1 & ECB-2 DCM VOL. 2
		RCP REINFORCED CONCRETE PIPE
	SF	SILT FENCE PER DETAIL SF-1, SF-2 & SF-3 DCM VOL. 2
	VTC	VEHICLE TRACKING CONTROL PER DETAIL VT-2 DCM VOL. 2
	IP	INLET PROTECTION PER DETAIL SHEET 22
		LIMITS OF GRADING
		EXISTING CONTOUR (10')
		EXISTING CONTOUR (2')
		PROPOSED CONTOUR (10')
		PROPOSED CONTOUR (2')
		GRADE
		LOT NUMBER
		LOT GRADE TYPE
		EXISTING STOCKPILE AREAS

ULTIMATE FINAL FUTURE FLOWS
DETENTION POND H
100-YEAR STORAGE VOLUME = 7.6 AC-FT
100-YEAR STORAGE ELEVATION = 6973.4
Q₁₀₀ IN = 161 CFS
Q₁₀₀ OUT = 55 CFS
5-YEAR STORAGE VOLUME = 2.3 AC-FT
5-YEAR STORAGE ELEVATION = 6971.5
Q₅ IN = 36 CFS
Q₅ OUT = 4 CFS

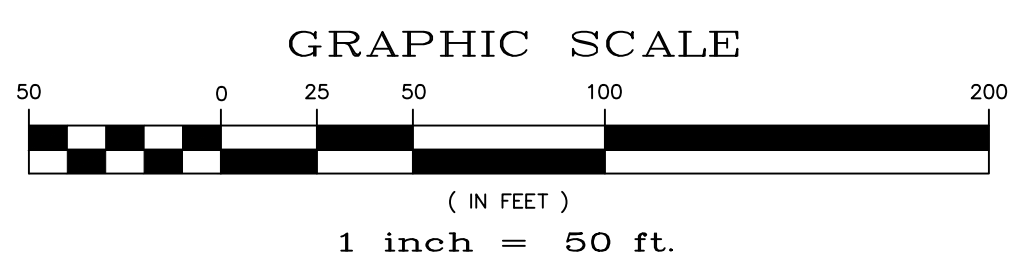
INTERIM GRADED FLOWS
DETENTION POND H
100-YEAR STORAGE VOLUME = 5.5 AC-FT
100-YEAR STORAGE ELEVATION = 6972.7
Q₁₀₀ IN = 90 CFS
Q₁₀₀ OUT = 24 CFS
5-YEAR STORAGE VOLUME = 0.9 AC-FT
5-YEAR STORAGE ELEVATION = 6970.6
Q₅ IN = 10 CFS
Q₅ OUT = 2 CFS

WQCV
(SEE DRAINAGE REPORT FOR DETAILED INFORMATION)

NUSTAR PETROLEUM MAIN
CALL: 1-800-866-9060 PRIOR TO CONSTRUCTION
VERIFY LOCATION PRIOR TO START OF CONSTRUCTION

NOTE:
ALL CONTOURS SHOWN WITHIN THE PLAN SET ARE TO FINISHED SURFACE. ALL STREET SECTIONS ARE TO BE GRADED TO ROUGH SUB-GRADE AS SHOWN IN THEIR RESPECTIVE TYPICAL STREET SECTION SHOWN ON SHEET 21.

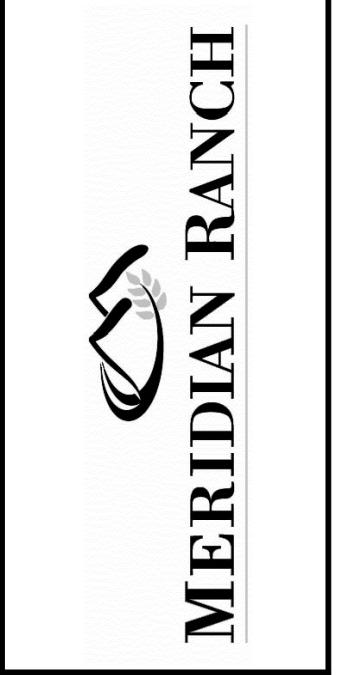
CONTRACTOR SHALL PROTECT ALL EXISTING UTILITIES.
EX. UTILITIES SEE CONSTRUCTION DRAWINGS FOR:
1)STONEBRIDGE FILING 1 AT MERIDIAN RANCH
2)STONEBRIDGE FILING 3 AT MERIDIAN RANCH
3)LONDONDERRY DRIVE/LAMBERT ROAD CONSTRUCTION DRAWINGS
4)STAPLETON DRIVE CONSTRUCTION DRAWINGS
5)GUTHRIE RAW WATER EXTENSION THE VISTAS FILING 1 OFFSITE
6)MERIDIAN RANCH FILING 11
7)VISTAS FILING 1 AT MERIDIAN RANCH



TWO WORKING DAYS
BEFORE YOU DIG
CALL 811
OR
UTILITY NOTIFICATION CENTER OF COLORADO
1-800-922-1987
(SEE COVER FOR LIST OF UTILITY CONTACTS)

No.	Revisions	Date	Instr.	Appr.	Date

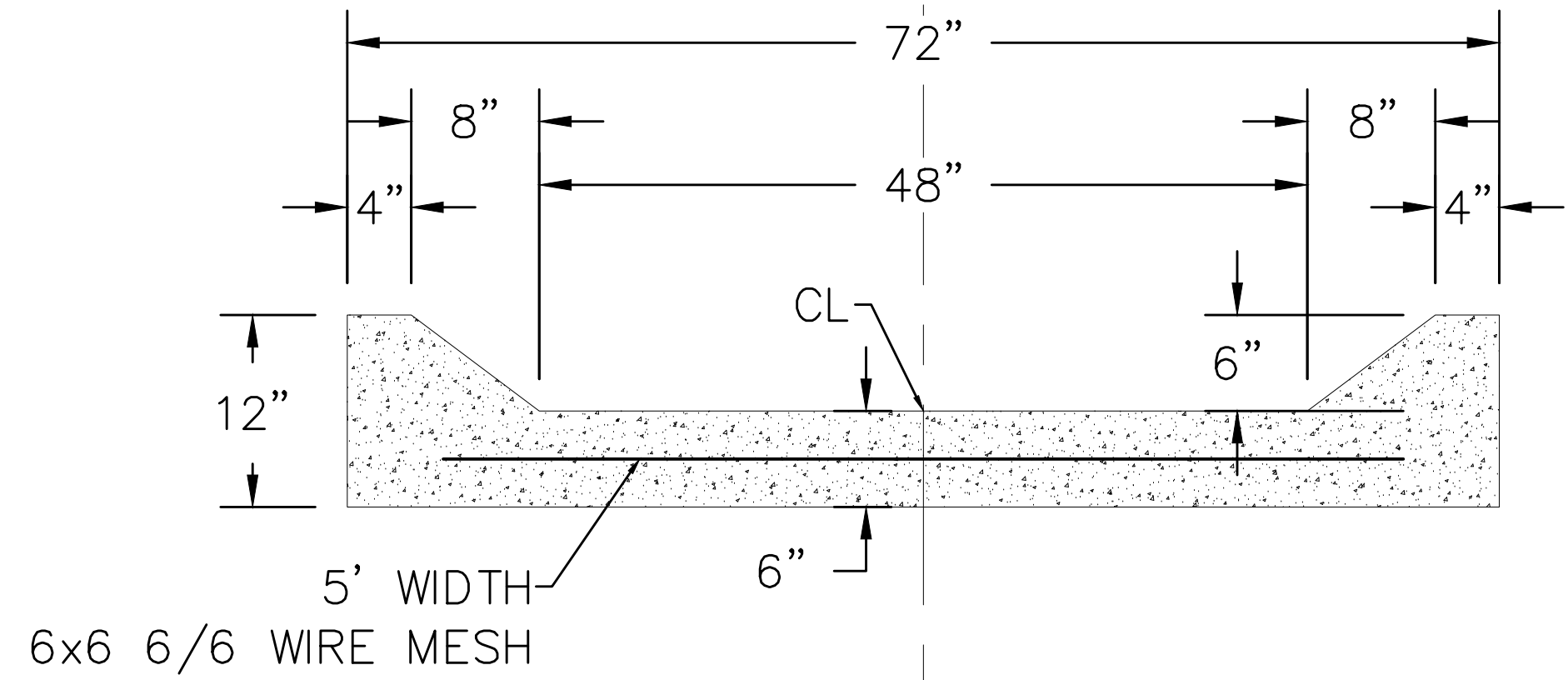
TECH CONTRACTORS
11886 STAPLETON DRIVE
FALCON, CO 80831
TELEPHONE: 719.495.7444
FAX: 719.495.2457



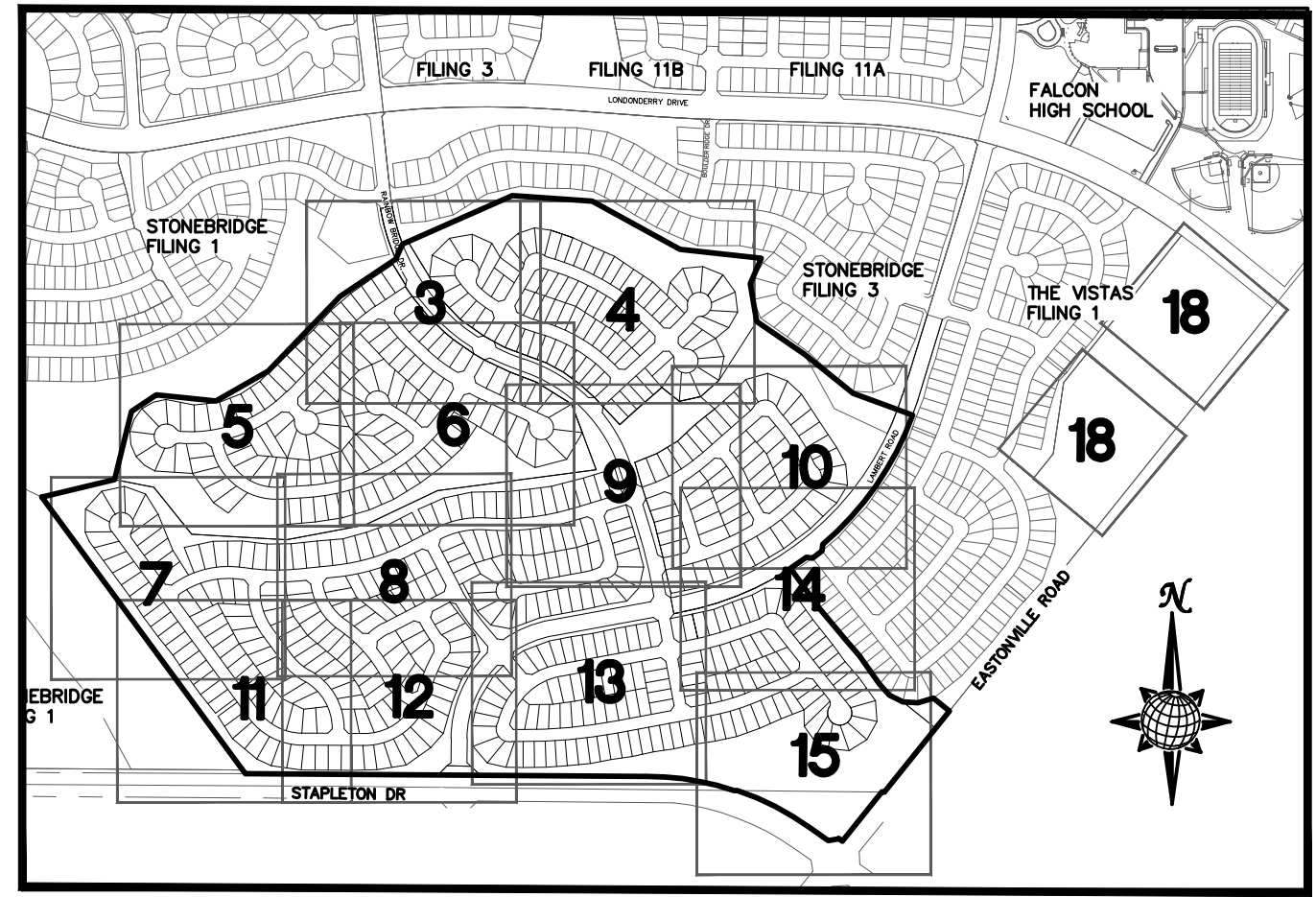
ROUGH GRADING WINDINGWALK
AT MERIDIAN RANCH
ROUGH GRADING/EROSION
CONTROL PLAN
PLAN SHEET

Drawn by LCA
Checked by TAK
Date DEC 2017

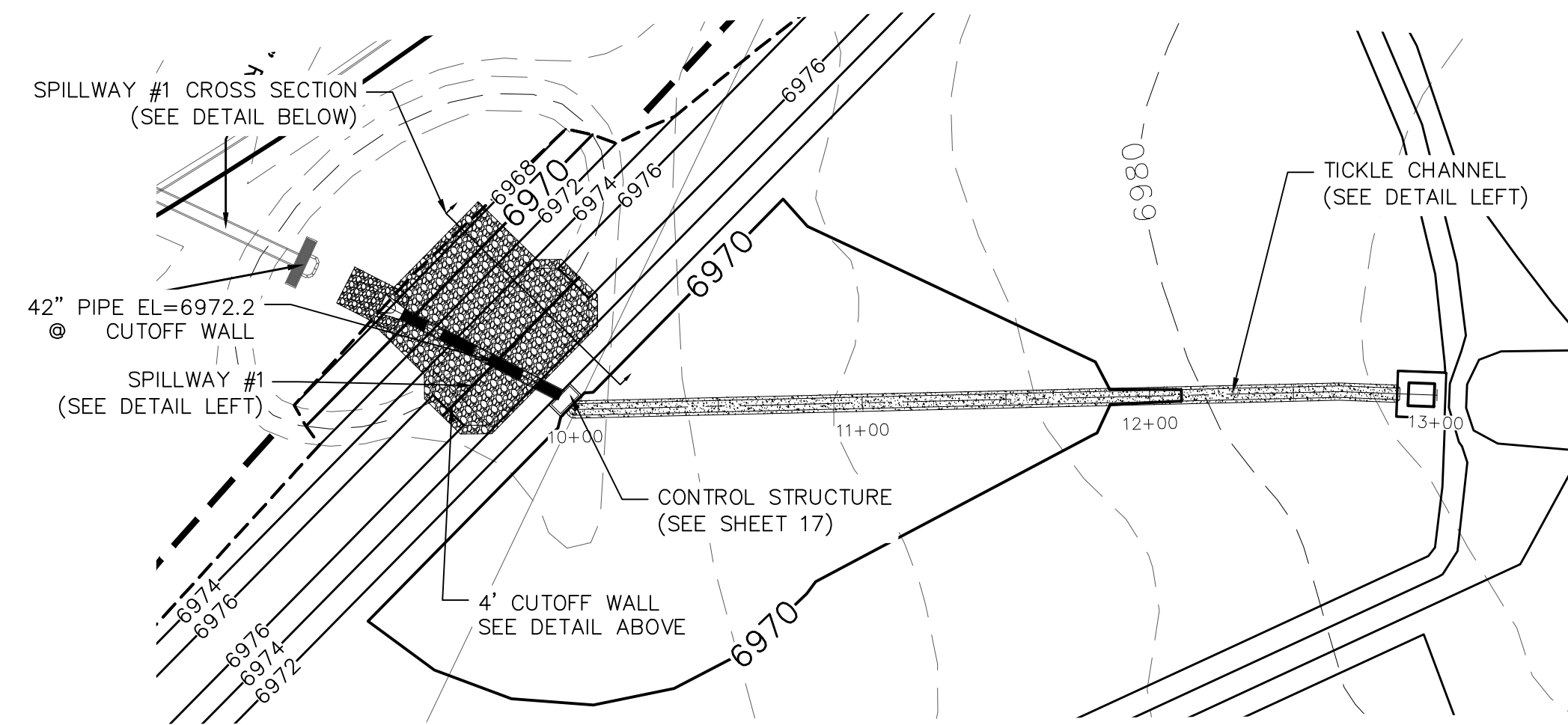
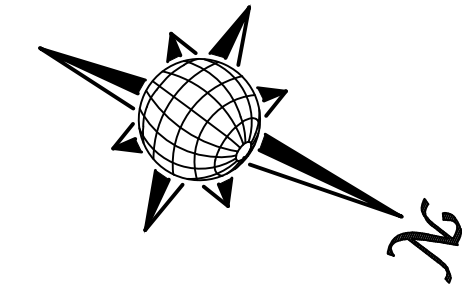
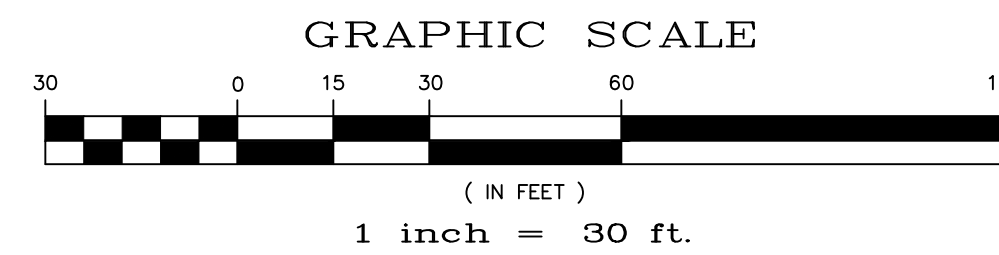
Scale AS SHOWN
15 of 22



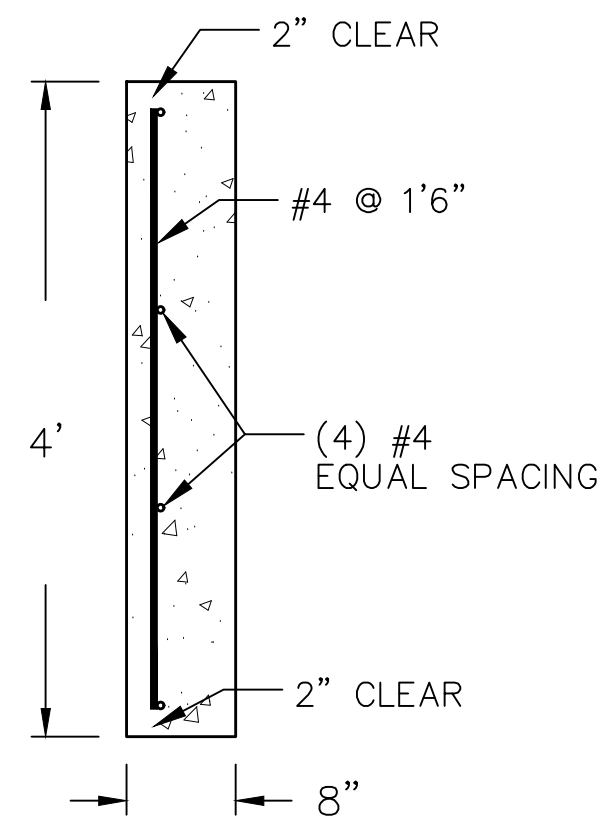
POND CHANNEL
CROSS SECTION DETAIL
NTS



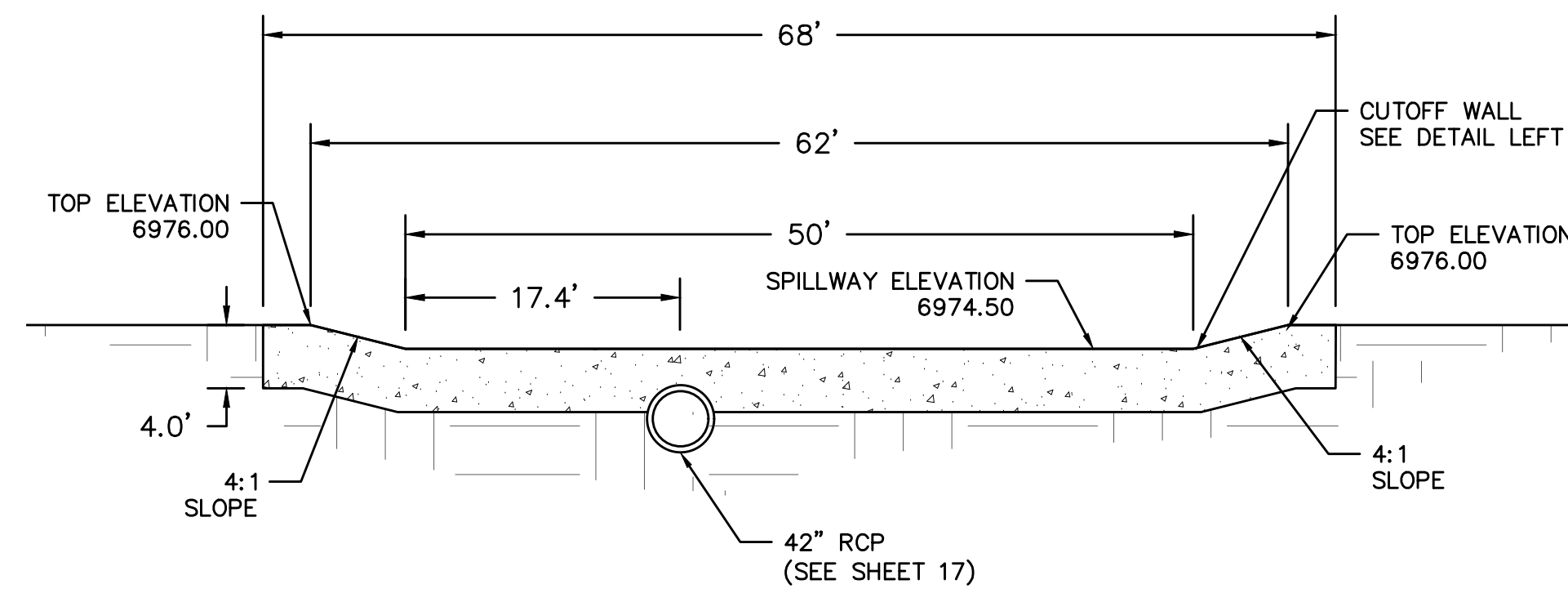
INDEX MAP
N.T.S.



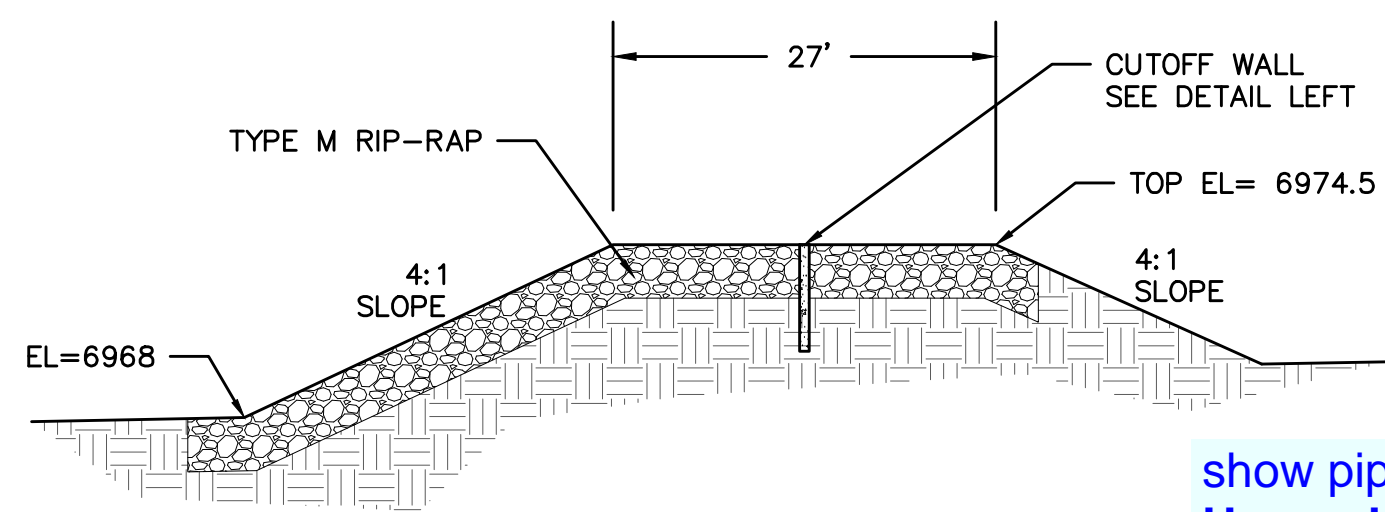
POND H CHANNEL



CUTOFF WALL DETAIL
NTS



SPILLWAY #1
NTS

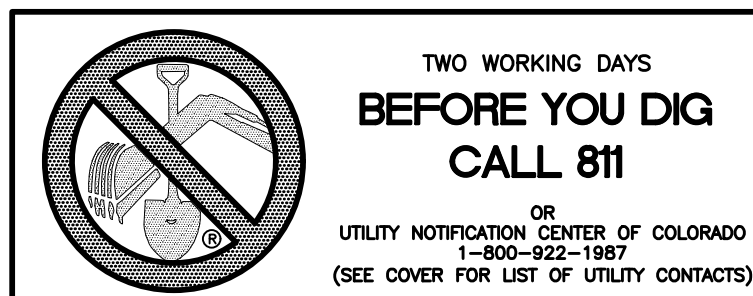


SPILLWAY #1
CROSS SECTION
NTS

show pipe through spill way.
Unresolved.

NOTE:
ALL CONTOURS SHOWN WITHIN THE PLAN SET
ARE TO FINISHED SURFACE. ALL STREET
SECTIONS ARE TO BE GRADED TO ROUGH
SUB-GRADE AS SHOWN IN THEIR RESPECTIVE
TYPICAL STREET SECTION SHOWN ON SHEET 21.

CONTRACTOR SHALL PROTECT ALL EXISTING
UTILITIES.
EX. UTILITIES SEE CONSTRUCTION DRAWINGS FOR:
1)STONEBRIDGE FILING 1 AT MERIDIAN RANCH
2)STONEBRIDGE FILING 3 AT MERIDIAN RANCH
3)LONDONDERRY DRIVE/LAMBERT ROAD
CONSTRUCTION DRAWINGS
4)STAPLETON DRIVE CONSTRUCTION DRAWINGS
5)GUTHRIE RAW WATER EXTENSION THE VISTAS
FILING 1 OFFSITE
6)MERIDIAN RANCH FILING 11
7)VISTAS FILING 1 AT MERIDIAN RANCH



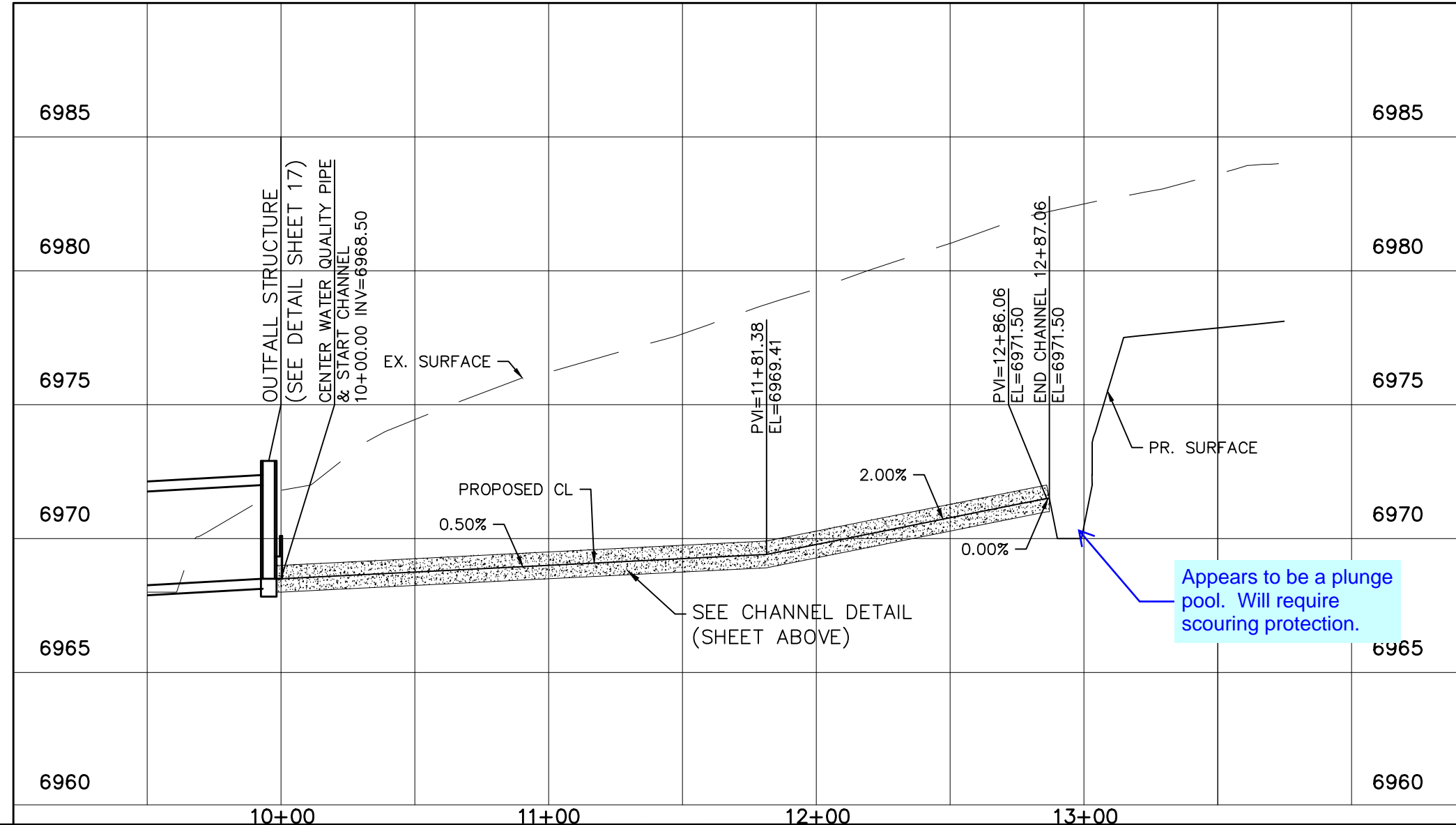
No.	Revisions	Date	Instr.	Appr.	Date

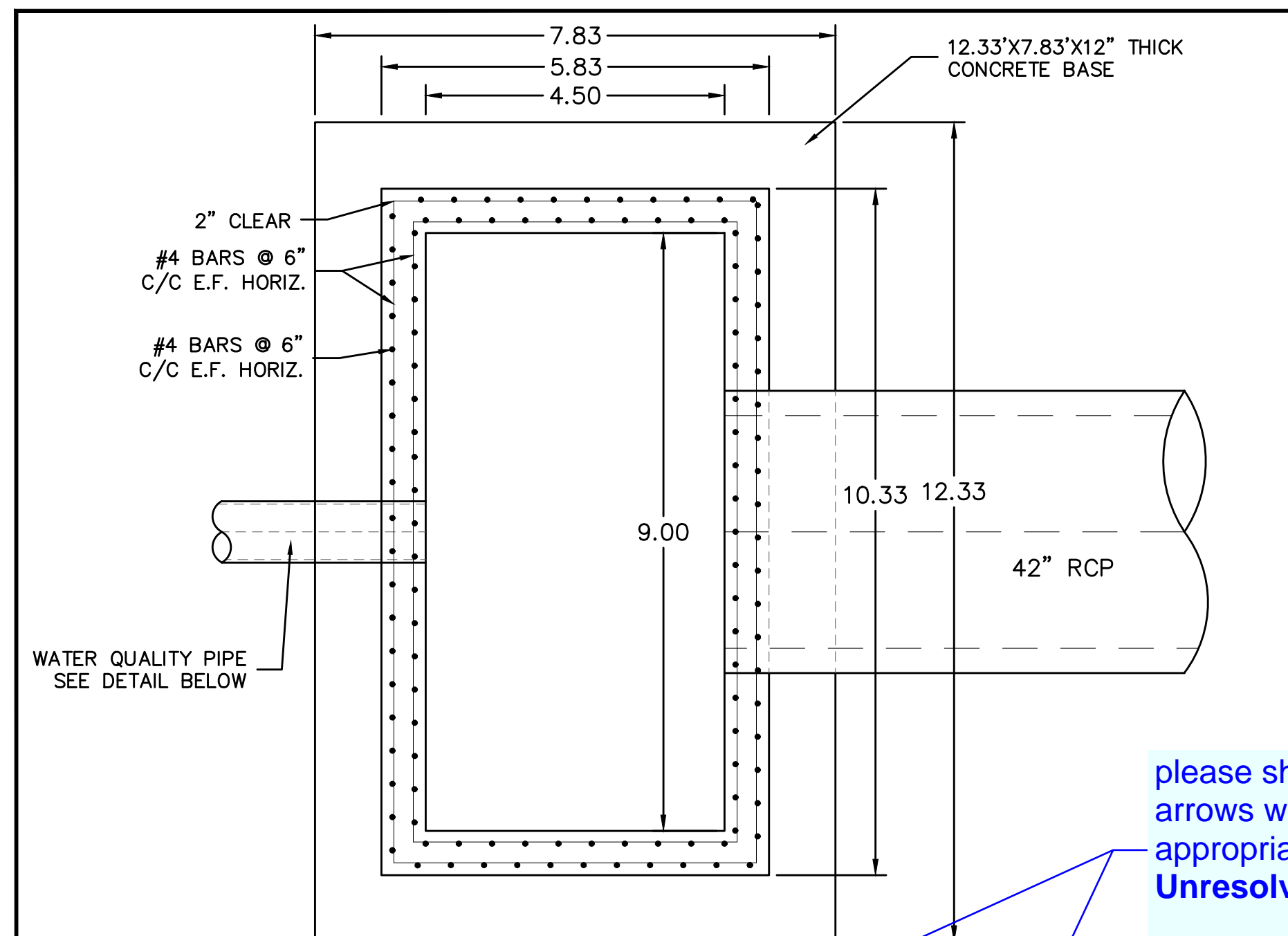
TECH CONTRACTORS
11886 STAPLETON DRIVE
FALCON, CO 80831
TELEPHONE: 719.495.7444
FAX: 719.495.2457



ROUGH GRADING WINDING WALK
AT MERIDIAN RANCH
ROUGH GRADING/EROSION
CONTROL PLAN
DETAIL SHEET

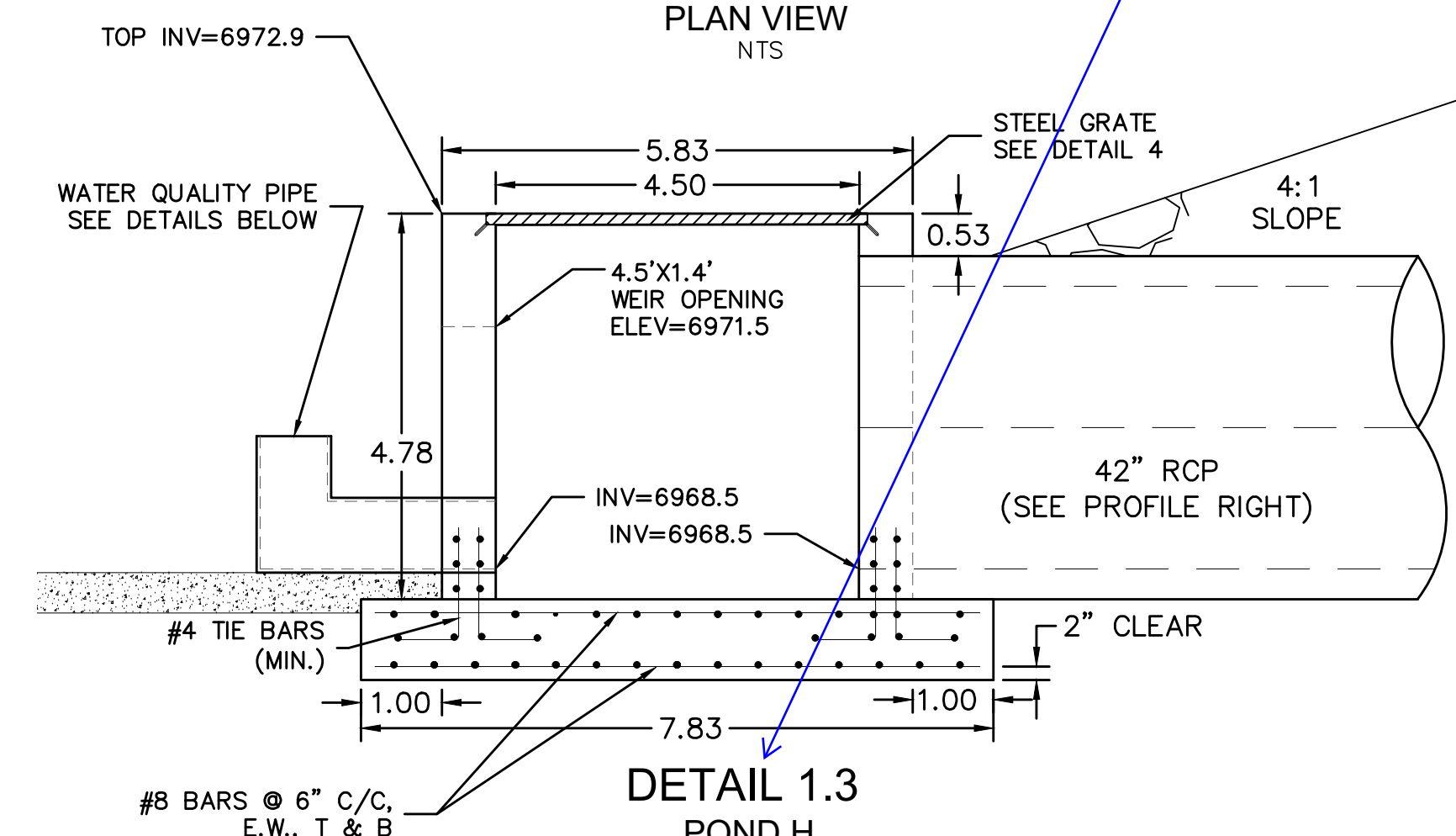
Drawn by	LCA	Checked by	TAK	Date	DEC 2007
Scale	AS SHOWN	16	of	22	





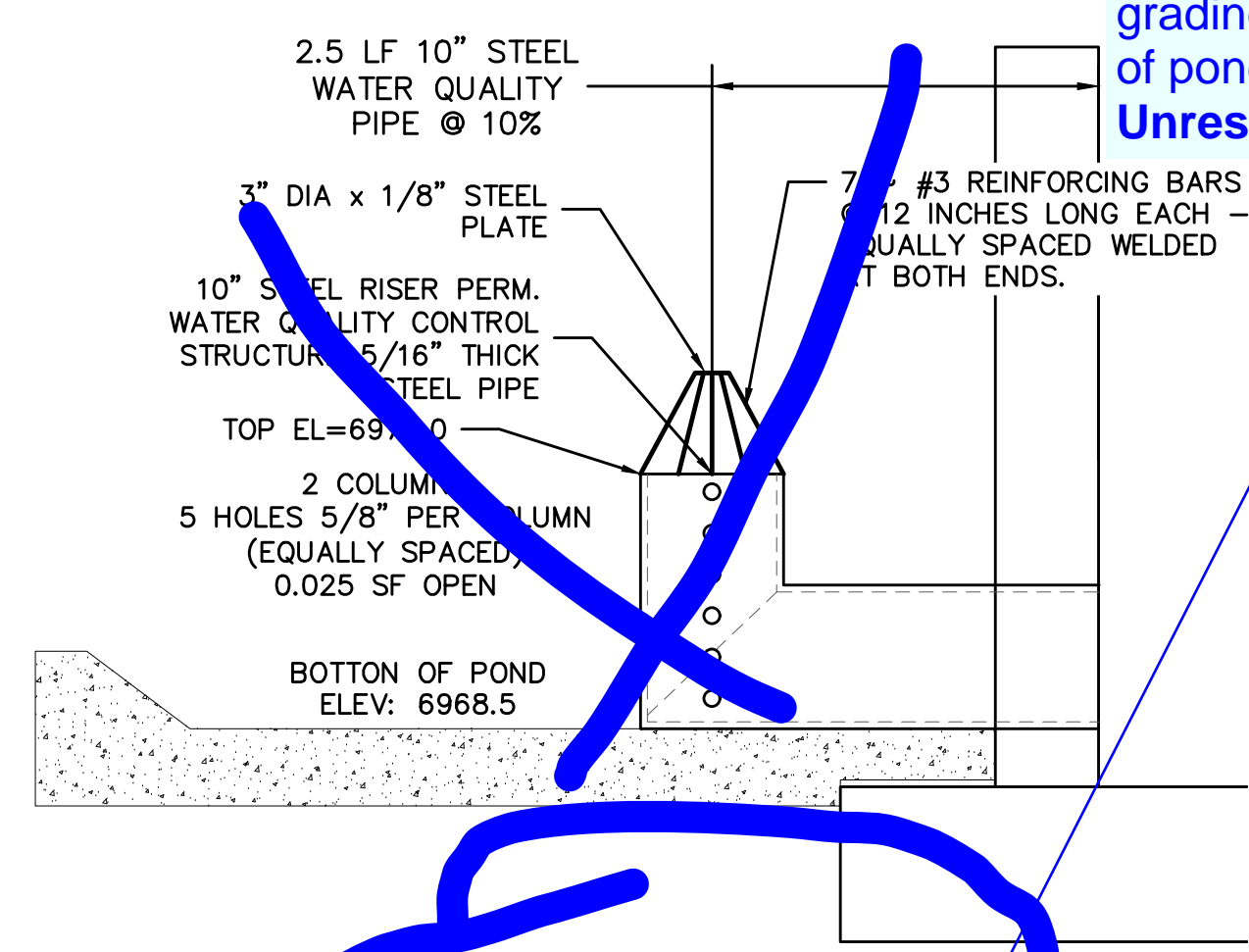
DETAIL 1.1
POND H
CONTROL STRUCTURE
PLAN VIEW
NTS

please show flow arrows where appropriate. Unresolved.

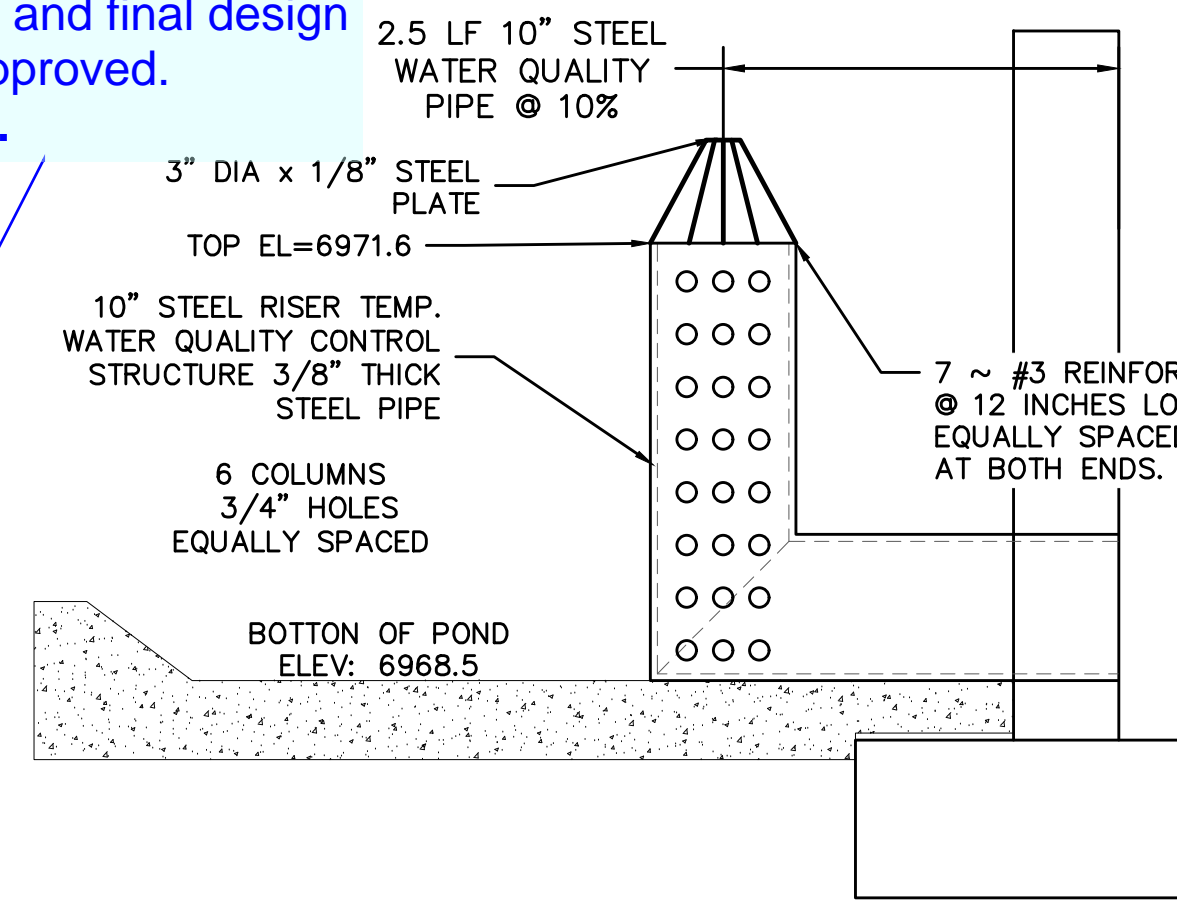


DETAIL 1.3
POND H
CONTROL STRUCTURE
NTS

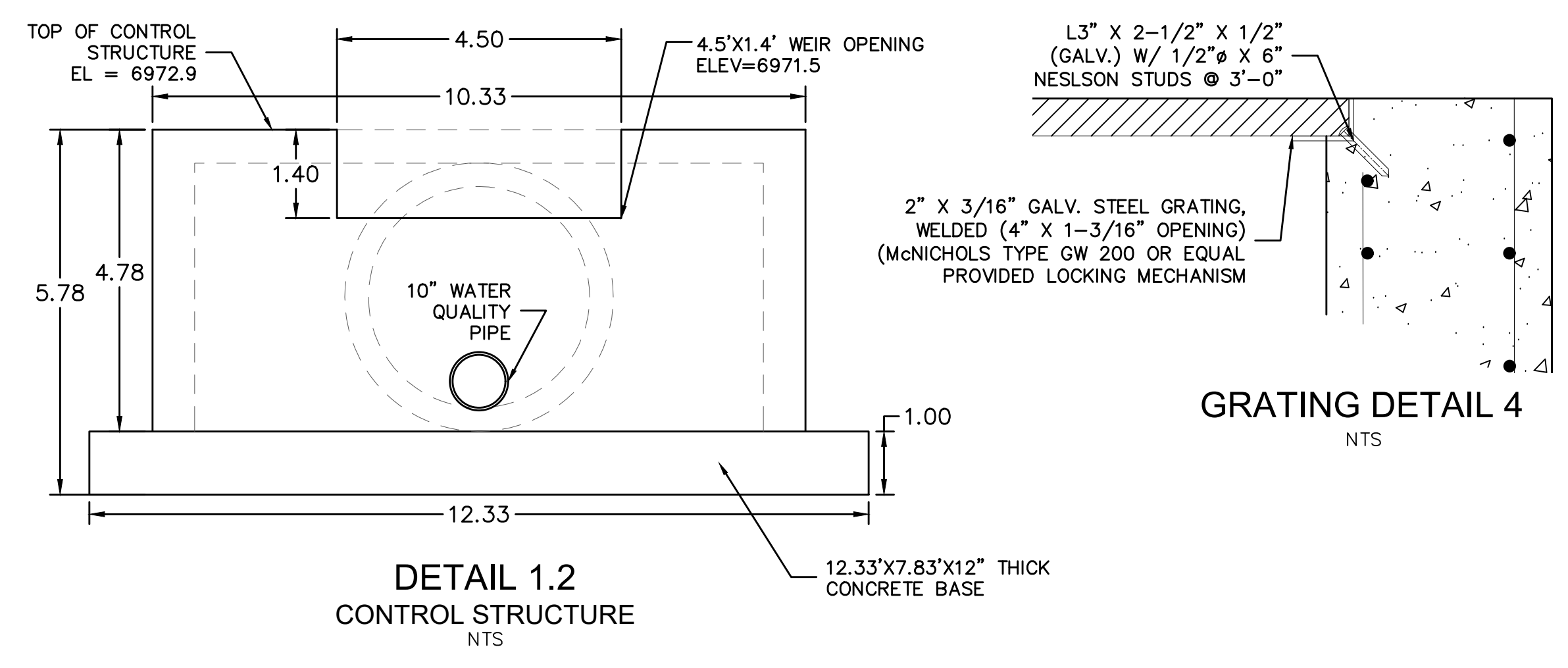
this structure is not approved for a permanent WQ structure. a micropool et all will be needed when final grading plan and final design of pond is approved. Unresolved.



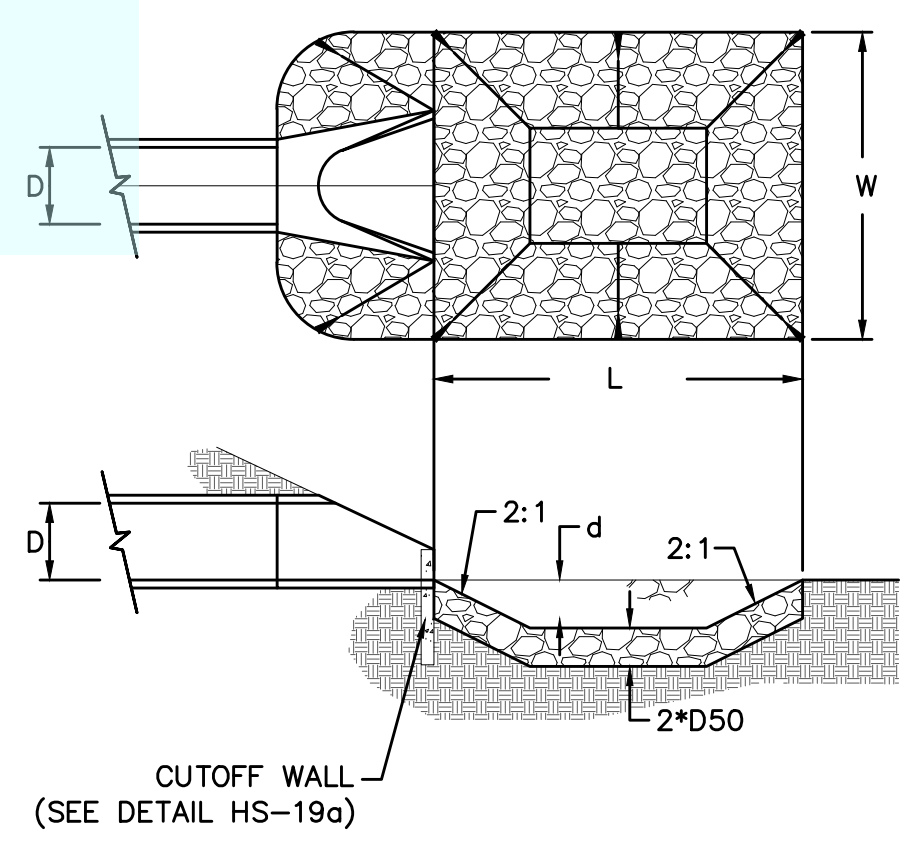
DETAIL 1.4
PERM. WATER QUALITY PIPE
NTS



DETAIL 1.5
TEMP. WATER QUALITY PIPE
NTS



DETAIL 1.2
CONTROL STRUCTURE
NTS



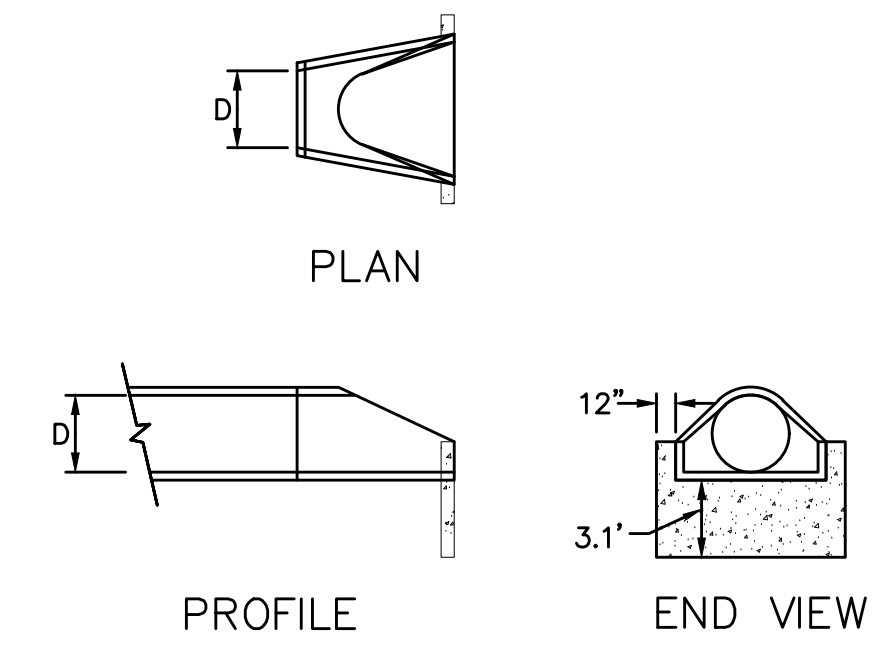
URBAN DRAINAGE AND FLOOD CONTROL DISTRICT (MODIFIED*)
Figure HS-19. Culvert and Outlet Erosion Protection
*RIP RAP RECTANGULAR POOL

- NOTES:
1. Headwall with wingwalls or flared end section required at all culvert outlets.
2. Provide joint fasteners for flared end sections.

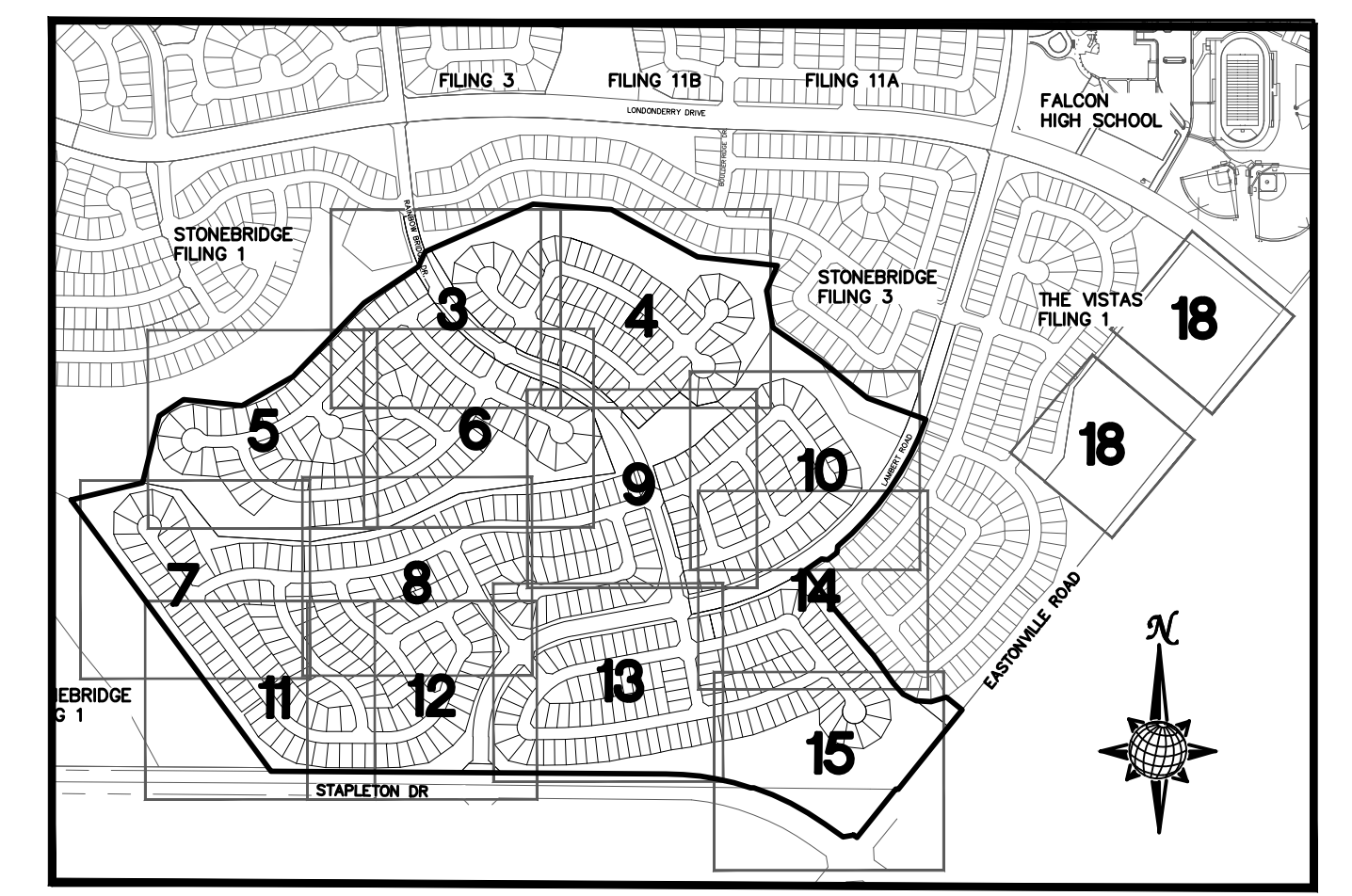
POND H
OUTLET PROTECTION DETAIL
NTS

PIPE OUTLET	L	W	d	TYPE	D ₉₀	CY	NOTES
42"	14.0	14.0	1.5	L	0.75'	10.9	SEE SHEET 15

STORM #1

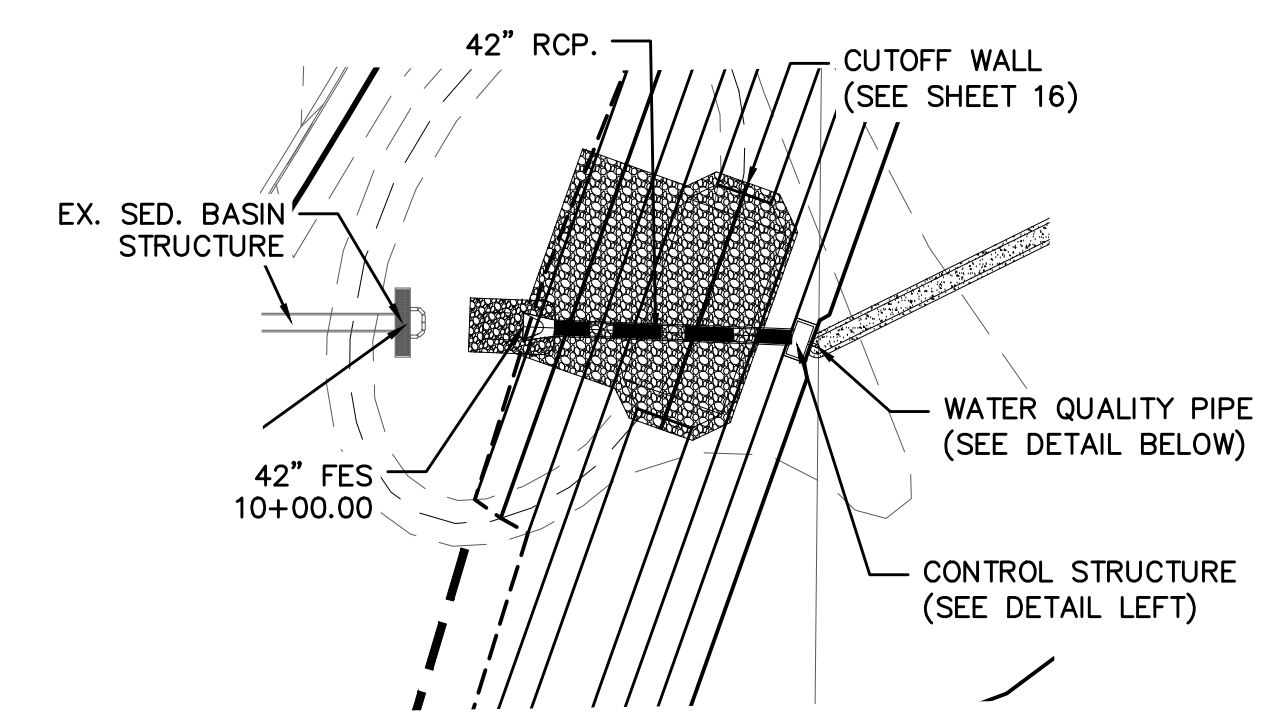


URBAN DRAINAGE AND FLOOD CONTROL DISTRICT
Figure HS-19a. Culvert Cutoff Wall

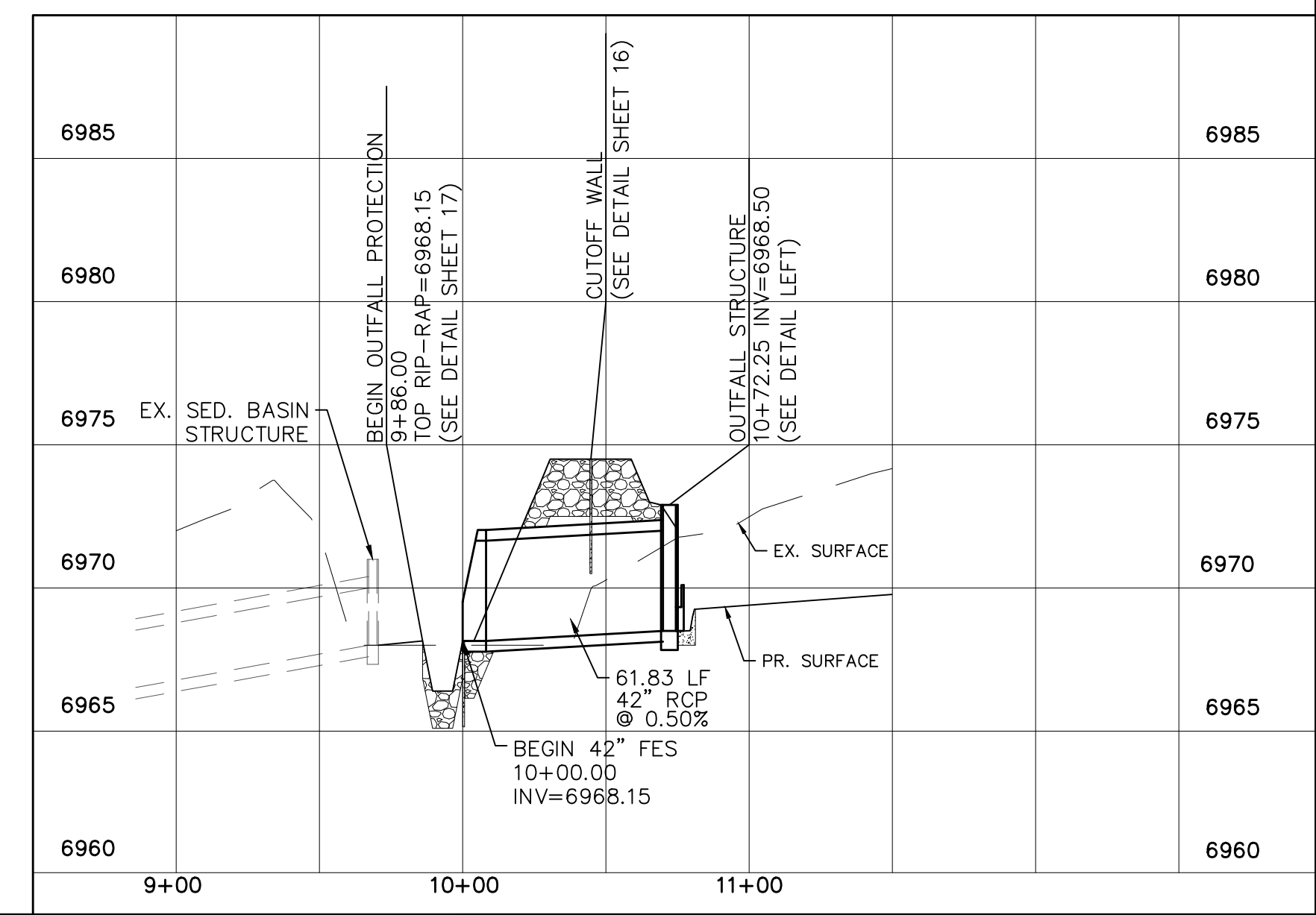
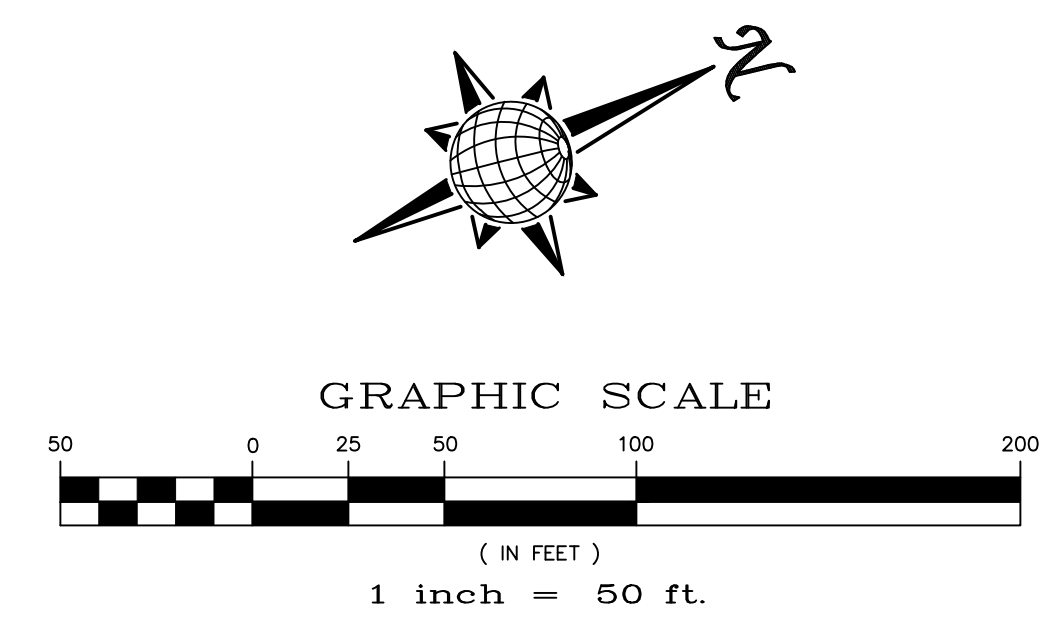


INDEX MAP
N.T.S.

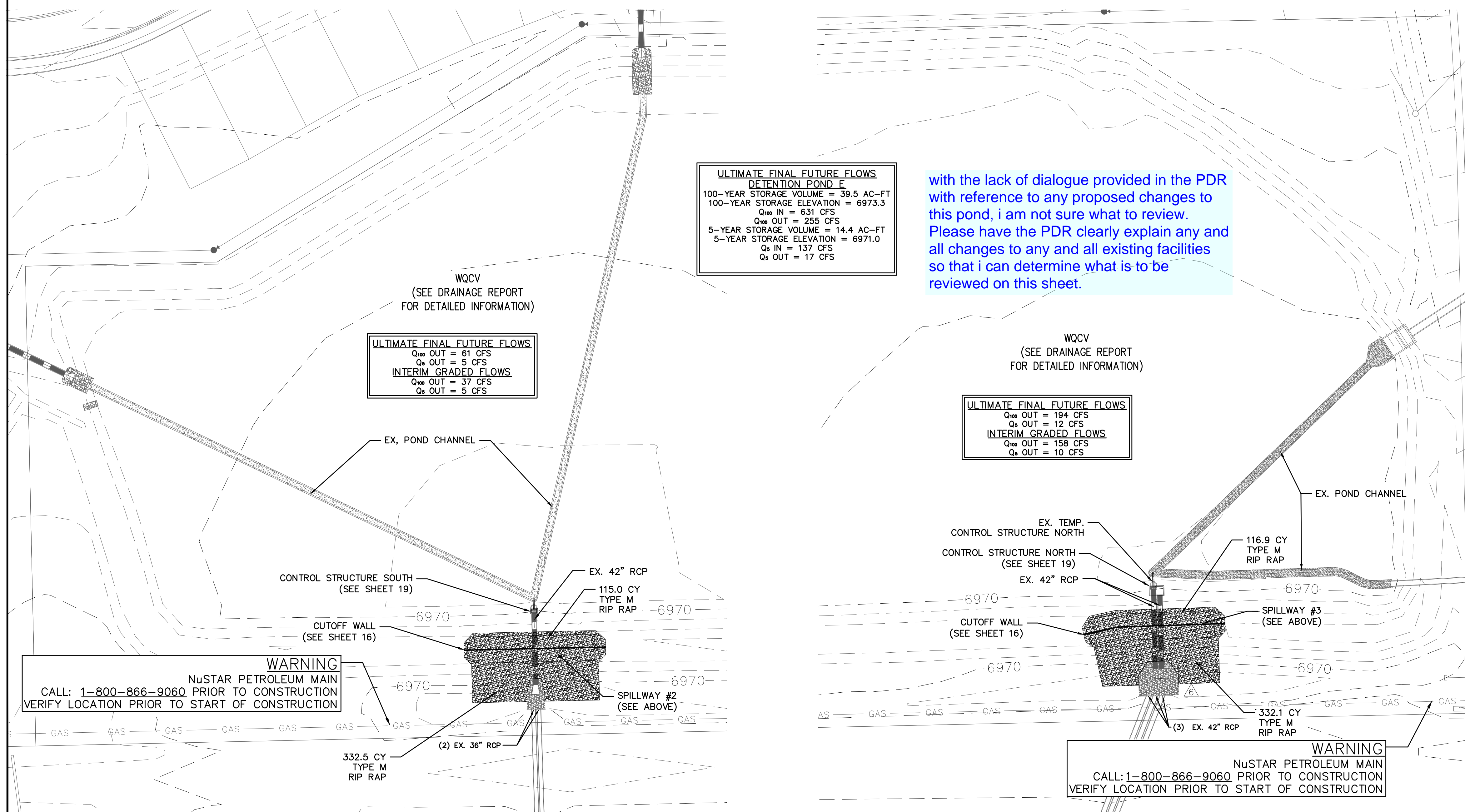
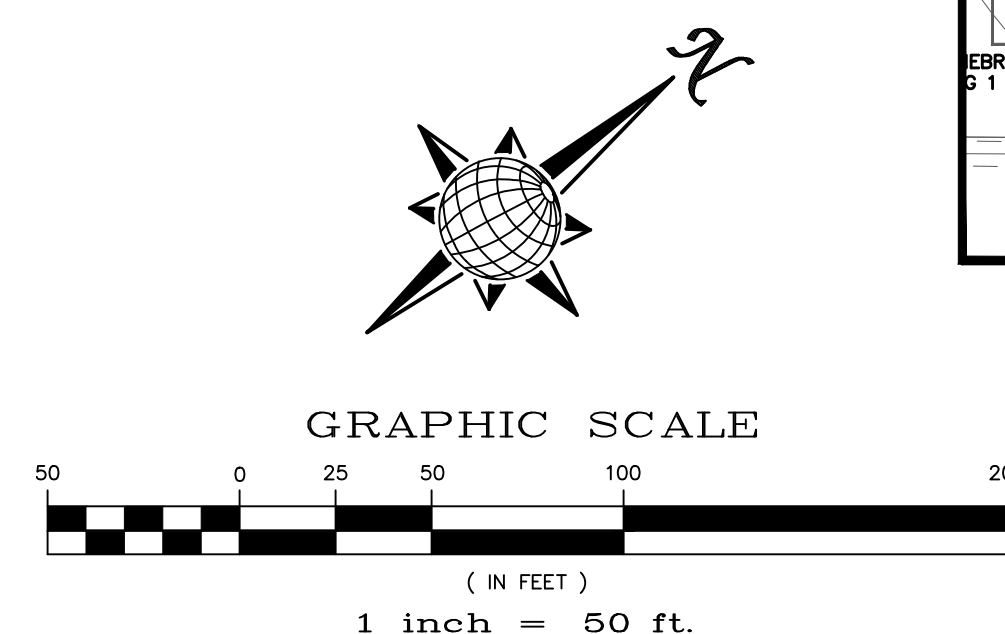
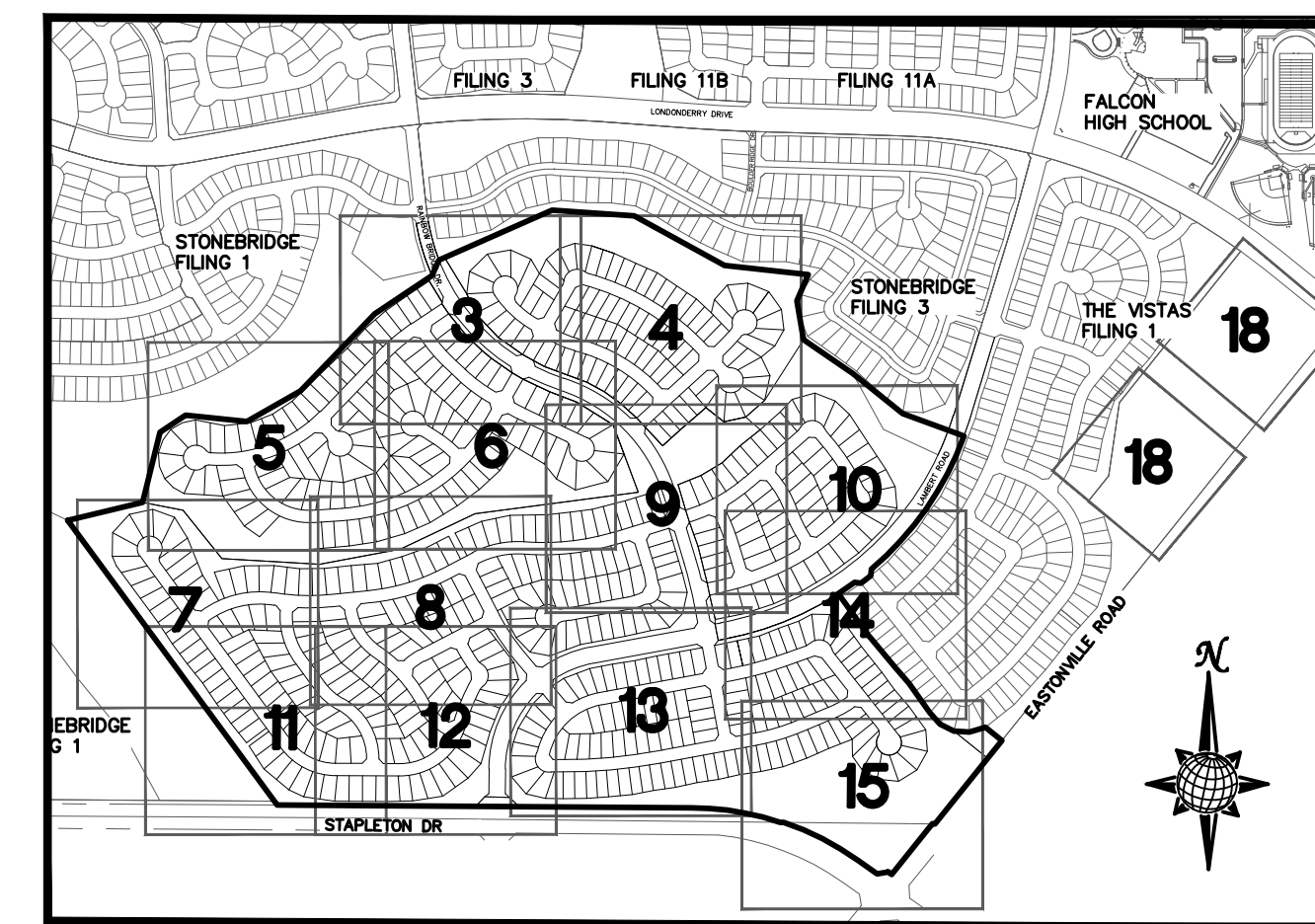
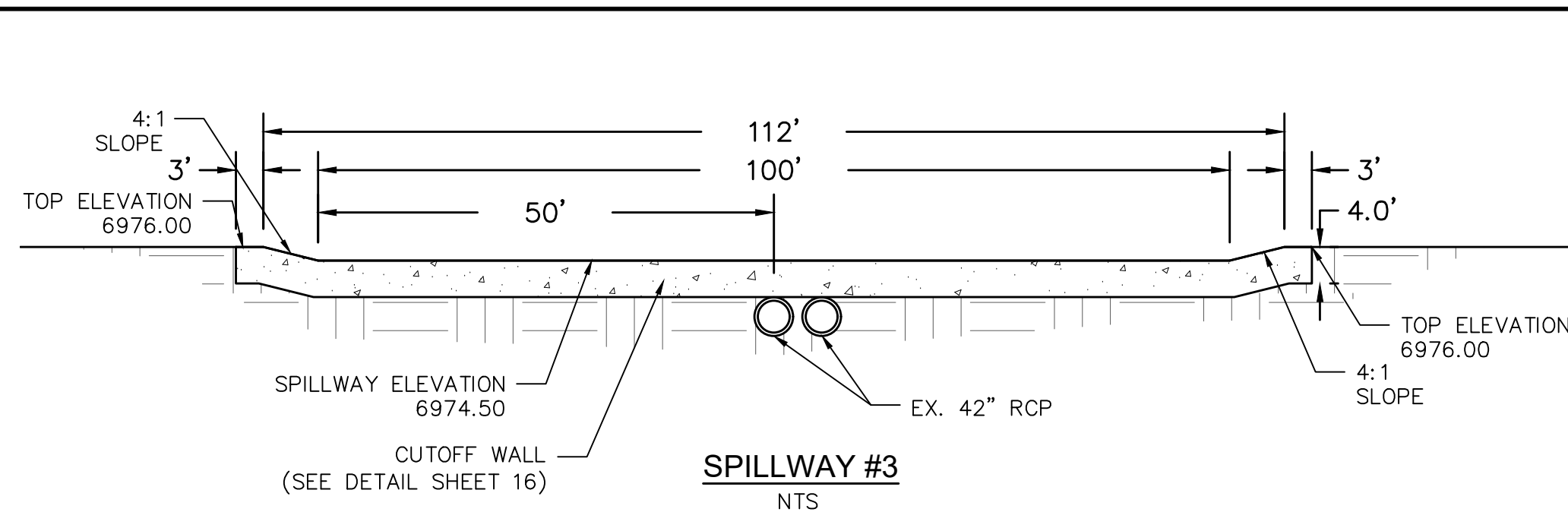
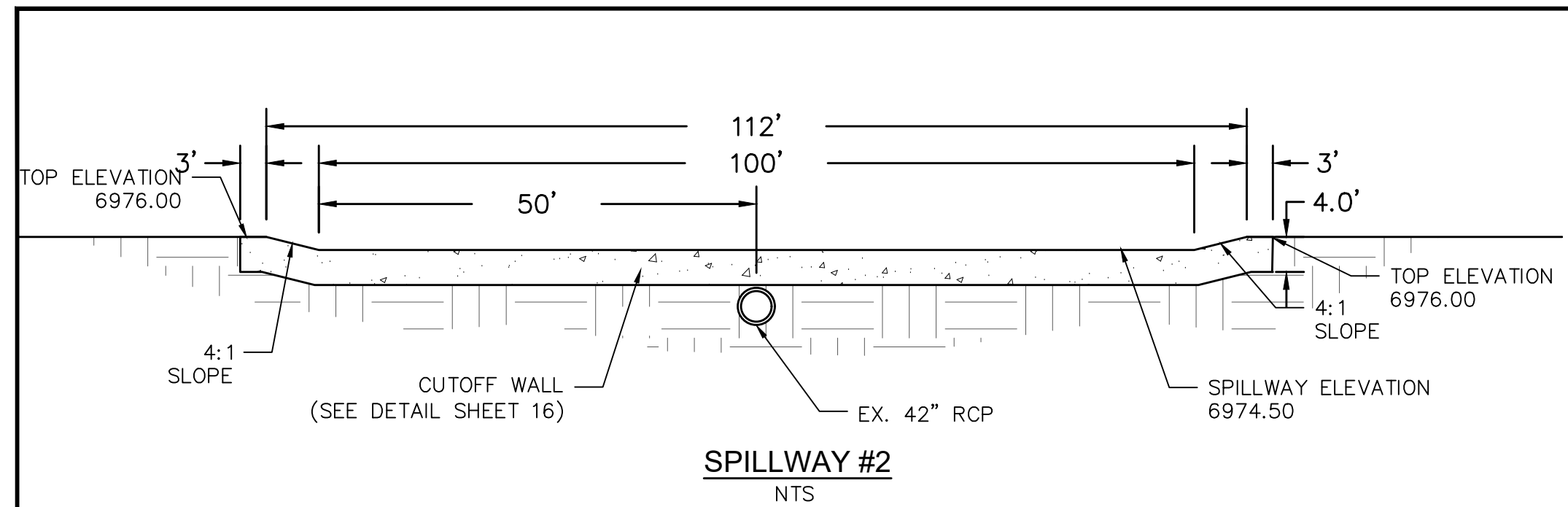
NOTE:
ALL CONTOURS SHOWN WITHIN THE PLAN SET ARE TO FINISHED SURFACE. ALL STREET SECTIONS ARE TO BE GRADED TO ROUGH SUB-GRADE AS SHOWN IN THEIR RESPECTIVE TYPICAL STREET SECTION SHOWN ON SHEET 21.
CONTRACTOR SHALL PROTECT ALL EXISTING UTILITIES.
EX. UTILITIES SEE CONSTRUCTION DRAWINGS FOR:
1)STONEBRIDGE FILING 1 AT MERIDIAN RANCH
2)STONEBRIDGE FILING 3 AT MERIDIAN RANCH
3)LONDONDERRY DRIVE/LAMBERT ROAD CONSTRUCTION DRAWINGS
4)STAPLETON DRIVE CONSTRUCTION DRAWINGS
5)GUTHRIE RAW WATER EXTENSION THE VISTAS FILING 1 OFFSITE
6)MERIDIAN RANCH FILING 11
7)VISTAS FILING 1 AT MERIDIAN RANCH



POND H OUTFALL



Drawn by	LCB	Checked by	TAK	Date	DEC 2017
Scale	AS SHOWN			17 of 22	
ROUGH GRADING WINDINGWALK AT MERIDIAN RANCH ROUGH GRADING/EROSION CONTROL PLAN DETAIL SHEET					
TECH CONTRACTORS 11886 STAPLETON DRIVE FALCON, CO 80831 TELEPHONE: 719.495.7444 FAX: 719.495.2457					
No.	Revisions	Date	Instr.	Appr.	Date



**ULTIMATE FINAL FUTURE FLOWS
DETENTION POND E**
 100-YEAR STORAGE VOLUME = 39.5 AC-FT
 100-YEAR STORAGE ELEVATION = 6973.3
 Q_{100} IN = 631 CFS
 Q_{100} OUT = 255 CFS
 5-YEAR STORAGE VOLUME = 14.4 AC-FT
 5-YEAR STORAGE ELEVATION = 6971.0
 Q_5 IN = 137 CFS
 Q_5 OUT = 17 CFS

with the lack of dialogue provided in the PDR with reference to any proposed changes to this pond, i am not sure what to review. Please have the PDR clearly explain any and all changes to any and all existing facilities so that i can determine what is to be reviewed on this sheet.

ULTIMATE FINAL FUTURE FLOWS
 Q_{100} OUT = 61 CFS
 Q_5 OUT = 5 CFS
INTERIM GRADED FLOWS
 Q_{100} OUT = 37 CFS
 Q_5 OUT = 5 CFS

ULTIMATE FINAL FUTURE FLOWS
 Q_{100} OUT = 194 CFS
 Q_5 OUT = 12 CFS
INTERIM GRADED FLOWS
 Q_{100} OUT = 158 CFS
 Q_5 OUT = 10 CFS

WARNING
 NuSTAR PETROLEUM MAIN
 CALL: 1-800-866-9060 PRIOR TO CONSTRUCTION
 VERIFY LOCATION PRIOR TO START OF CONSTRUCTION

WARNING
 NuSTAR PETROLEUM MAIN
 CALL: 1-800-866-9060 PRIOR TO CONSTRUCTION
 VERIFY LOCATION PRIOR TO START OF CONSTRUCTION

NOTE:
 ALL CONTOURS SHOWN WITHIN THE PLAN SET ARE TO FINISHED SURFACE. ALL STREET SECTIONS ARE TO BE GRADED TO ROUGH SUB-GRADE AS SHOWN IN THEIR RESPECTIVE TYPICAL STREET SECTION SHOWN ON SHEET 21.

CONTRACTOR SHALL PROTECT ALL EXISTING UTILITIES.

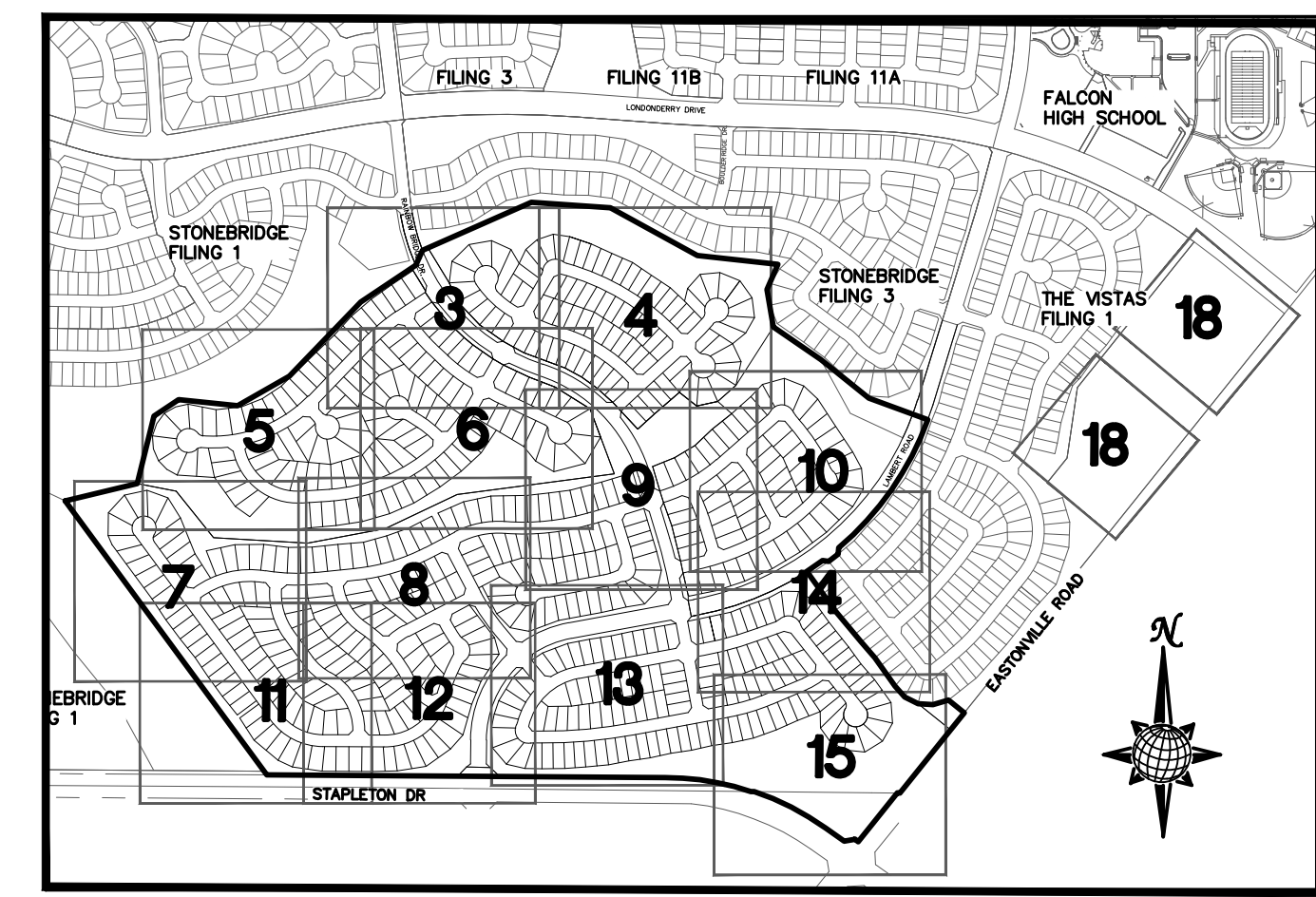
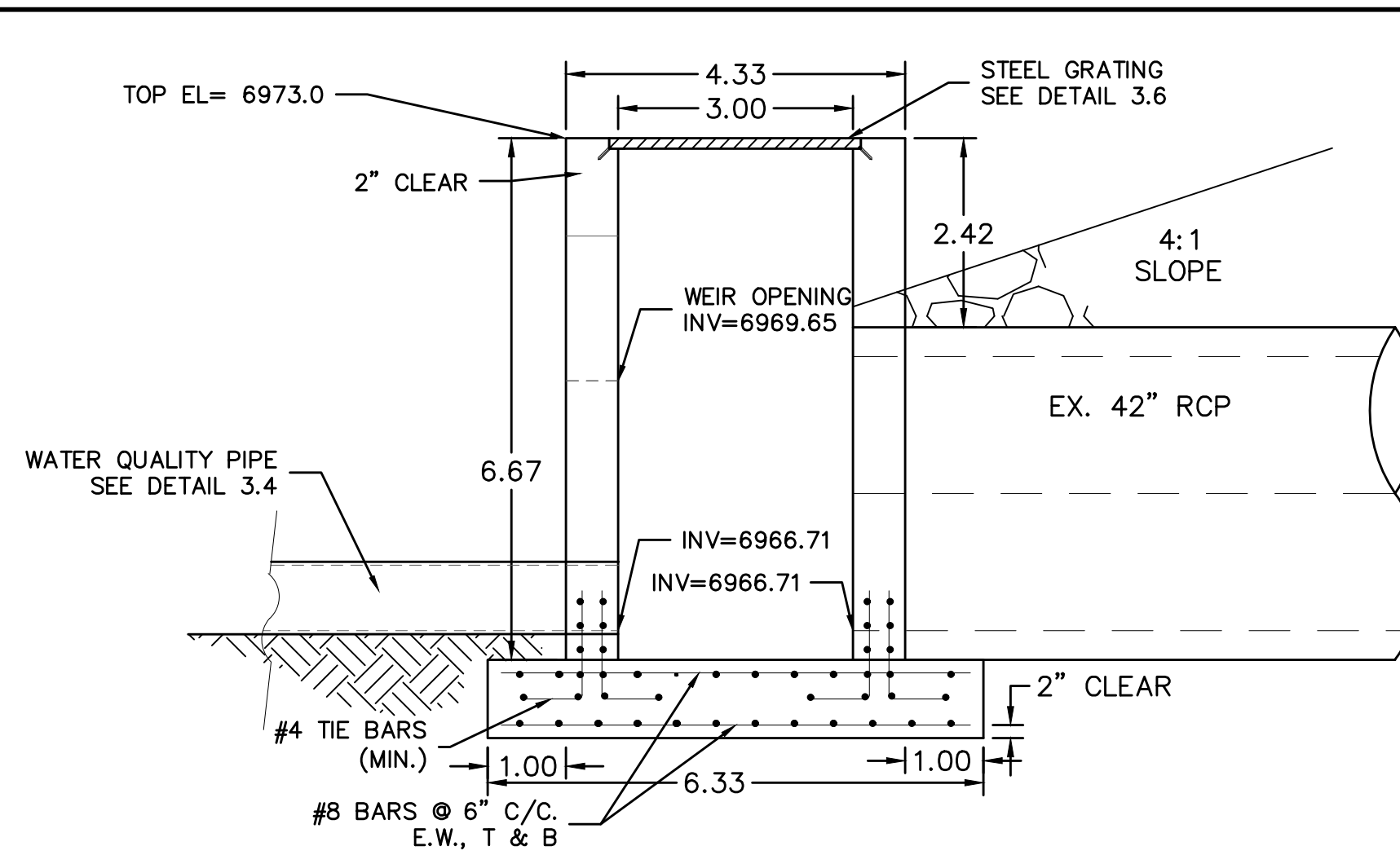
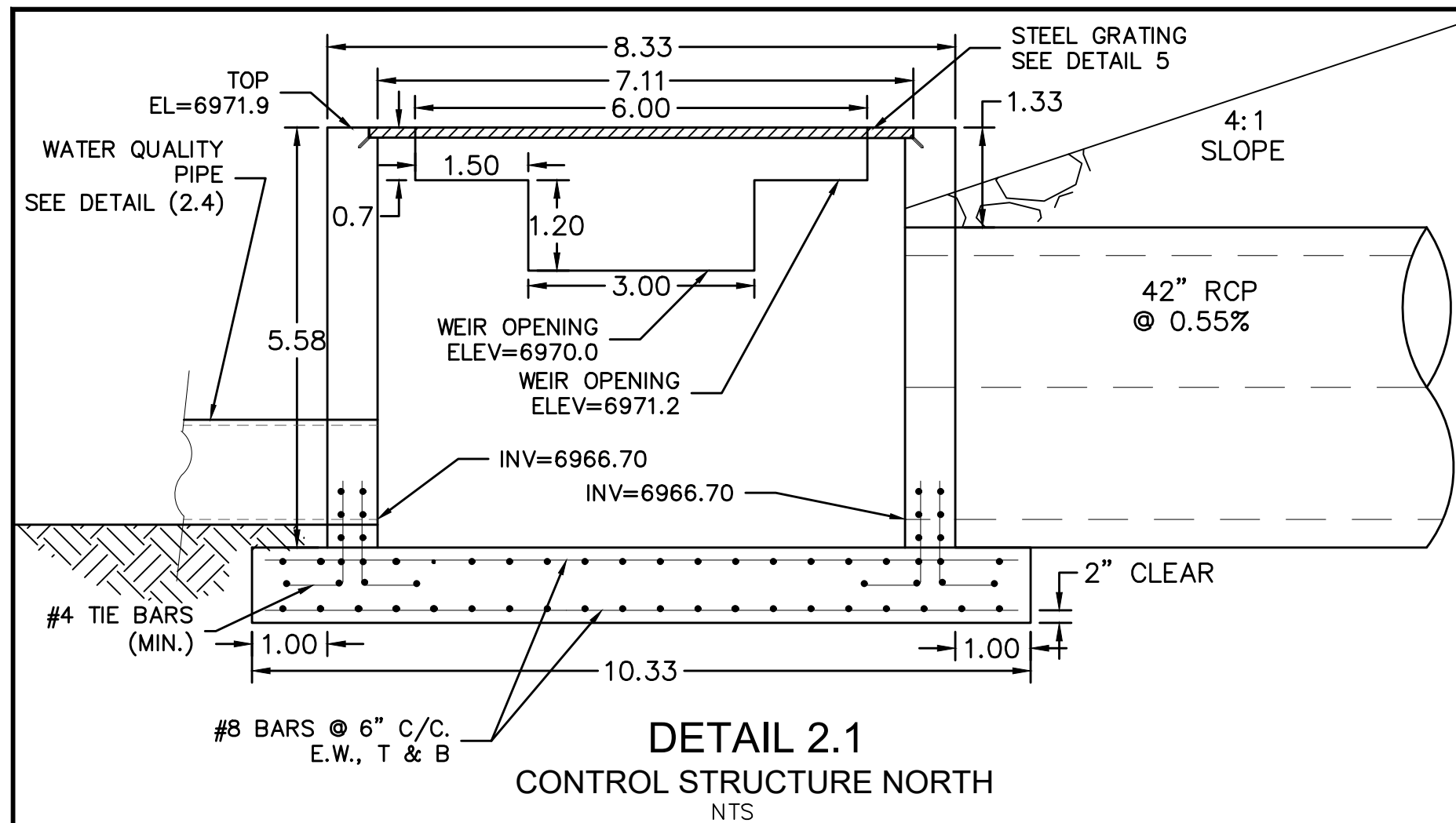
EX. UTILITIES SEE CONSTRUCTION DRAWINGS FOR:

- 1)STONEBRIDGE FILING 1 AT MERIDIAN RANCH
- 2)STONEBRIDGE FILING 3 AT MERIDIAN RANCH
- 3)LONDONDERRY DRIVE/LAMBERT ROAD CONSTRUCTION DRAWINGS
- 4)STAPLETON DRIVE CONSTRUCTION DRAWINGS
- 5)GUTHRIE RAW WATER EXTENSION THE VISTAS FILING 1 OFFSITE
- 6)MERIDIAN RANCH FILING 11
- 7)VISTAS FILING 1 AT MERIDIAN RANCH

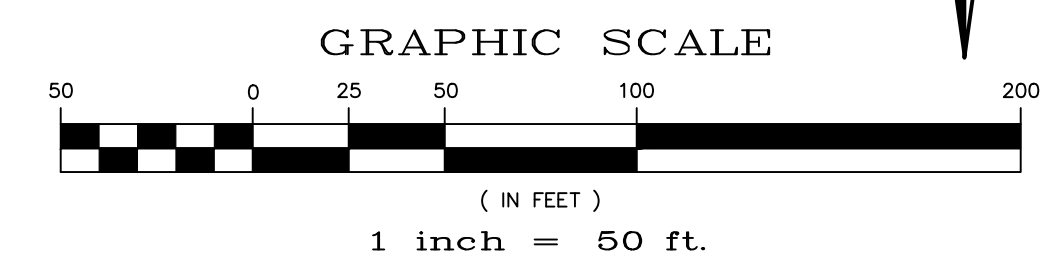
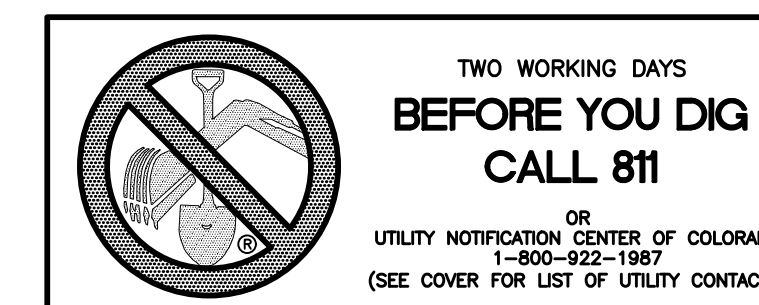
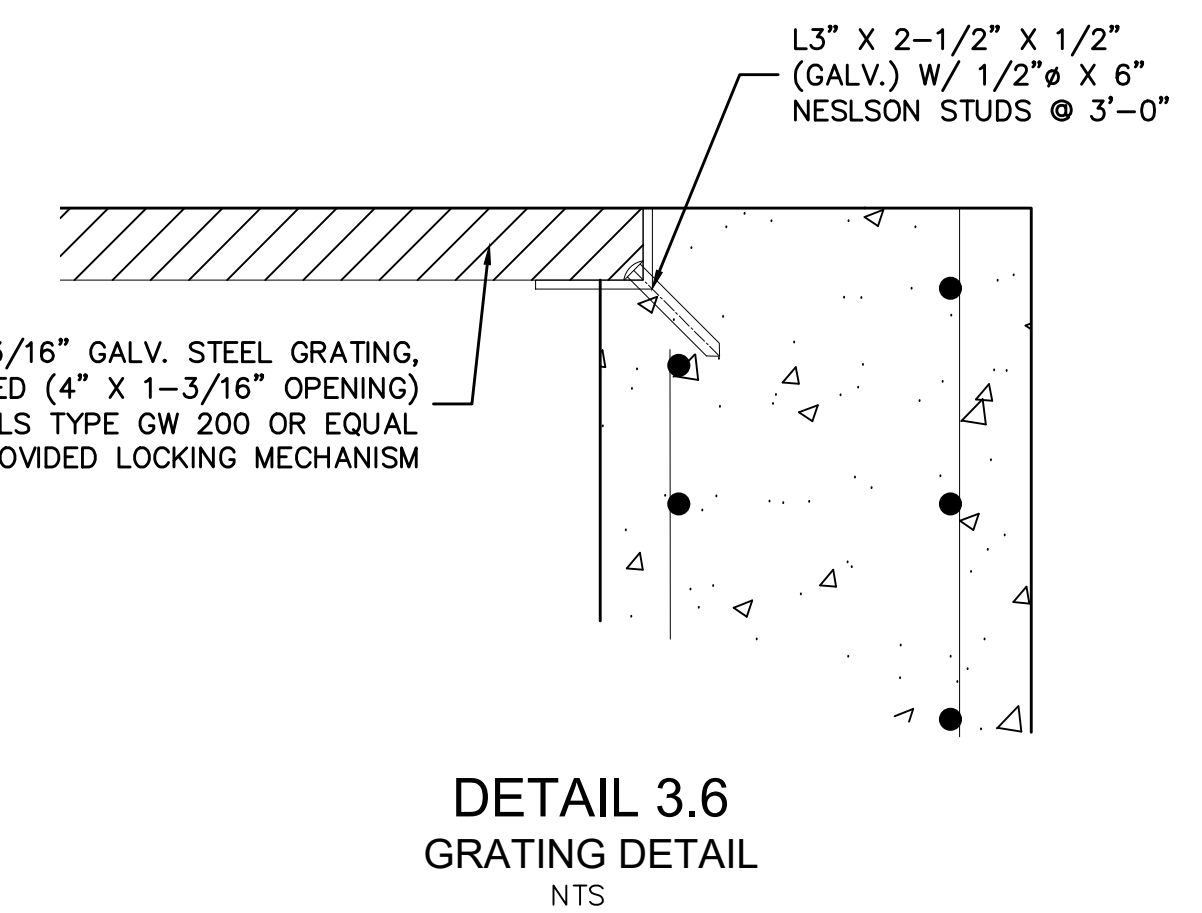
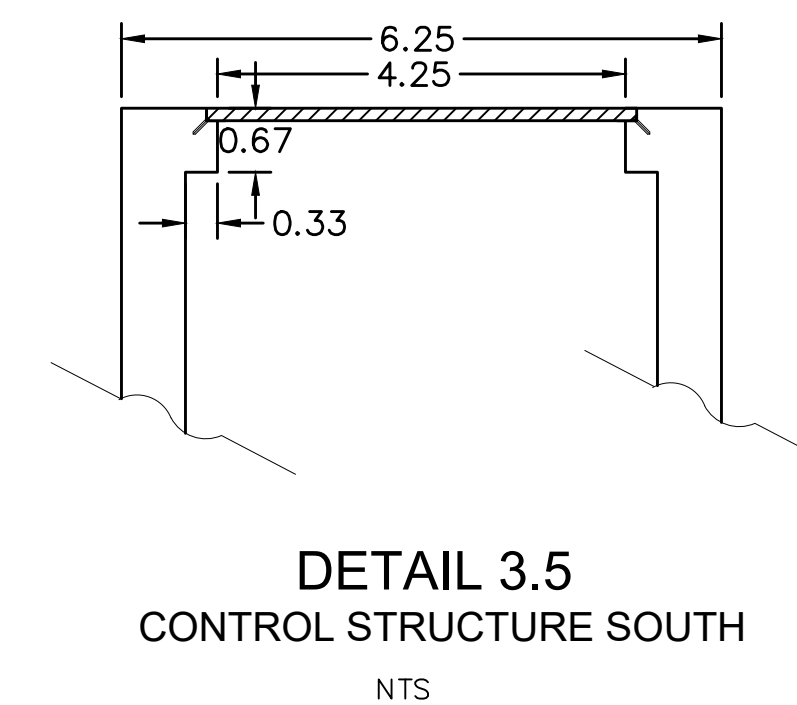
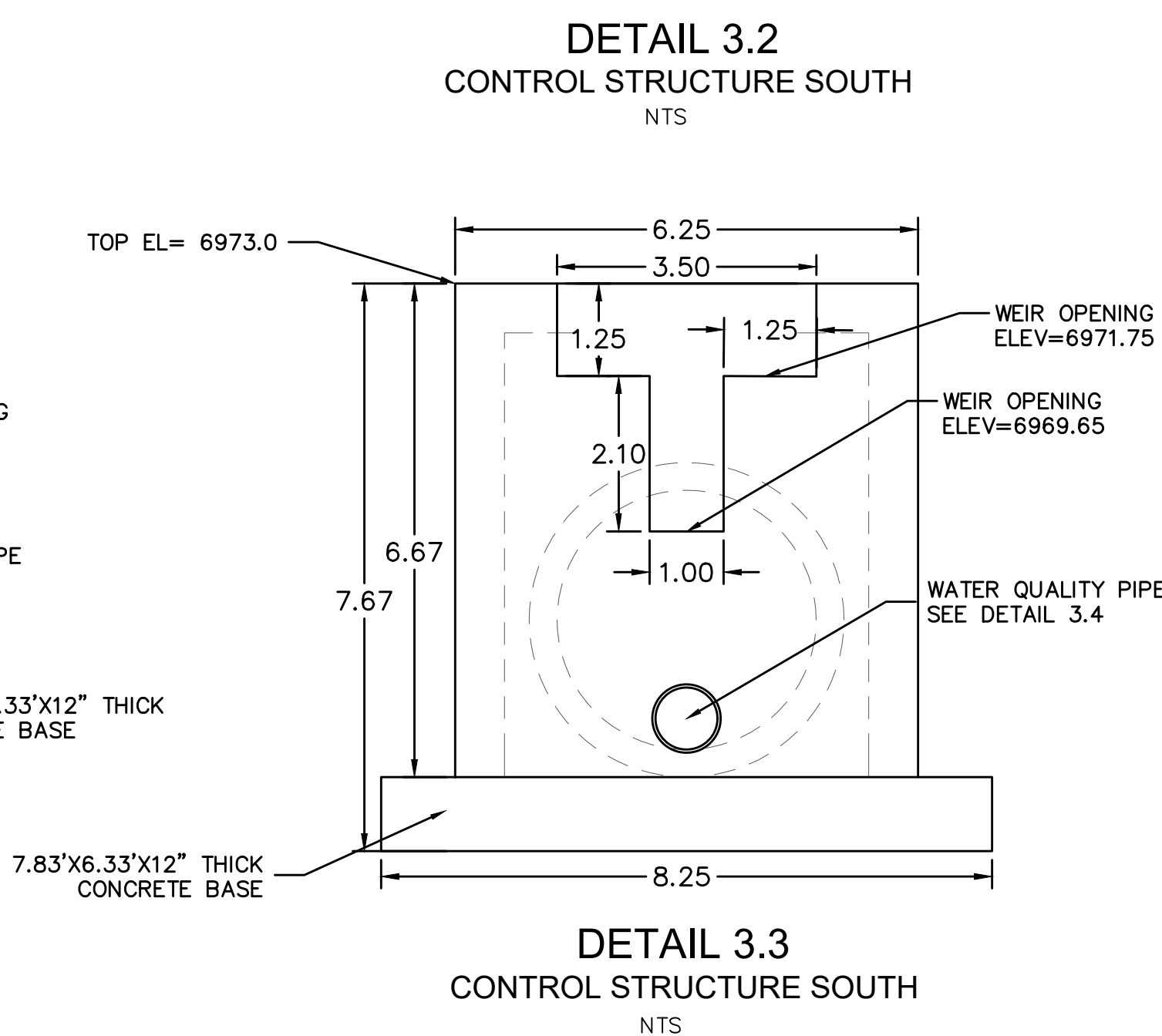
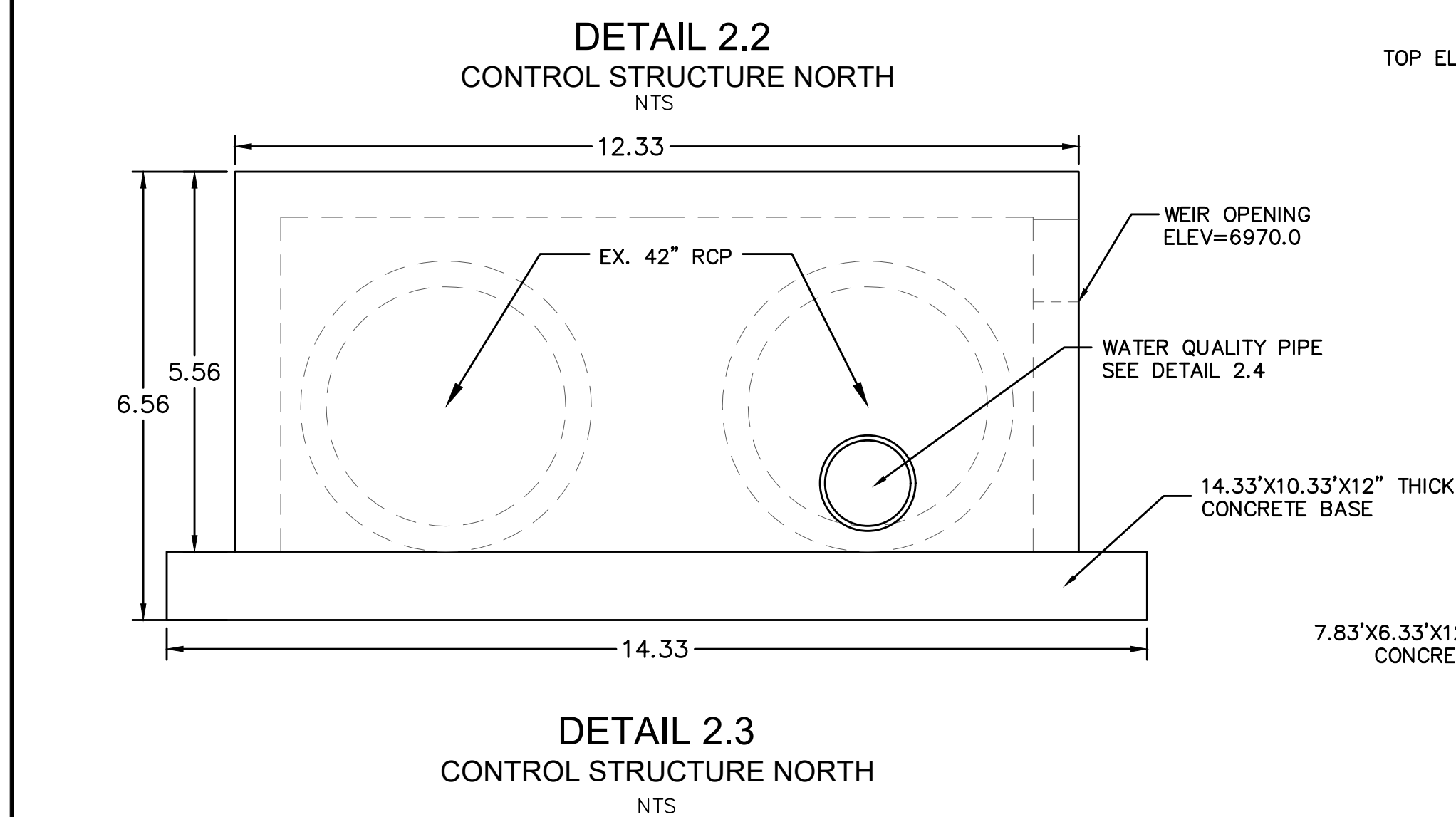
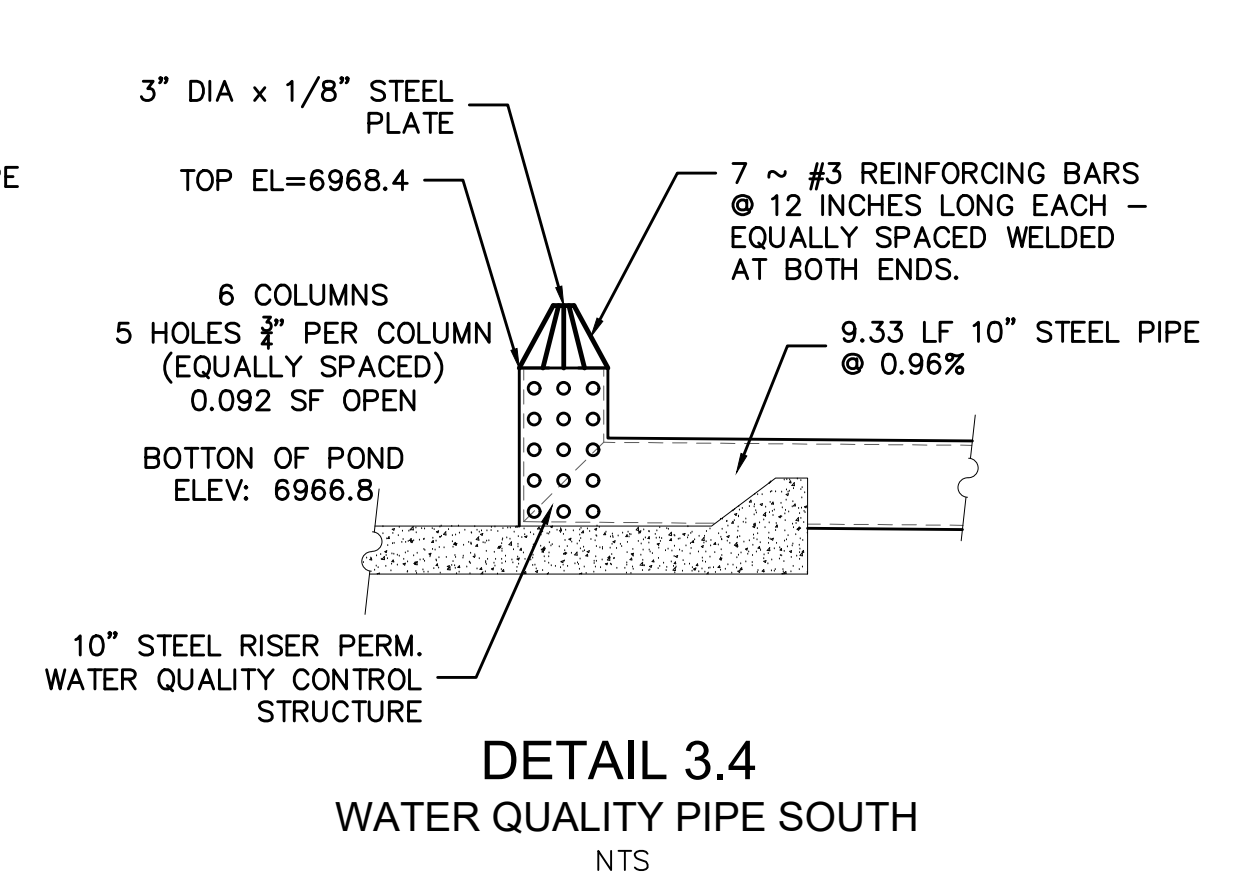
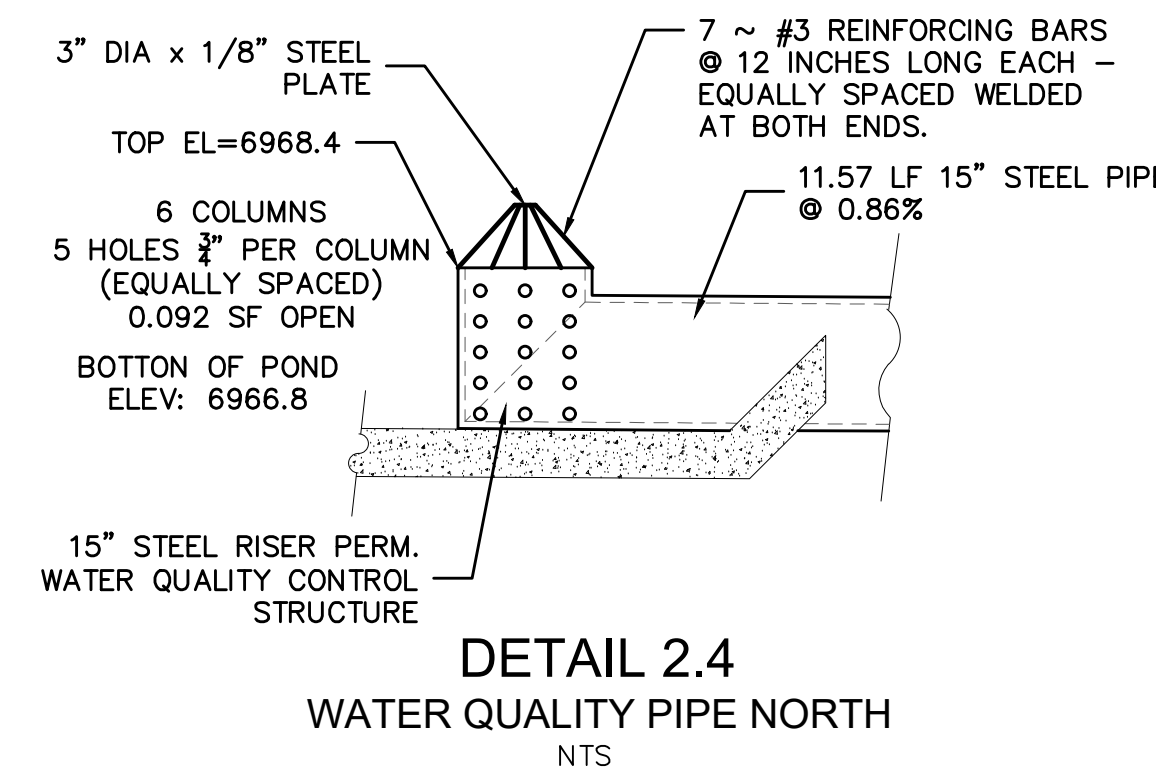
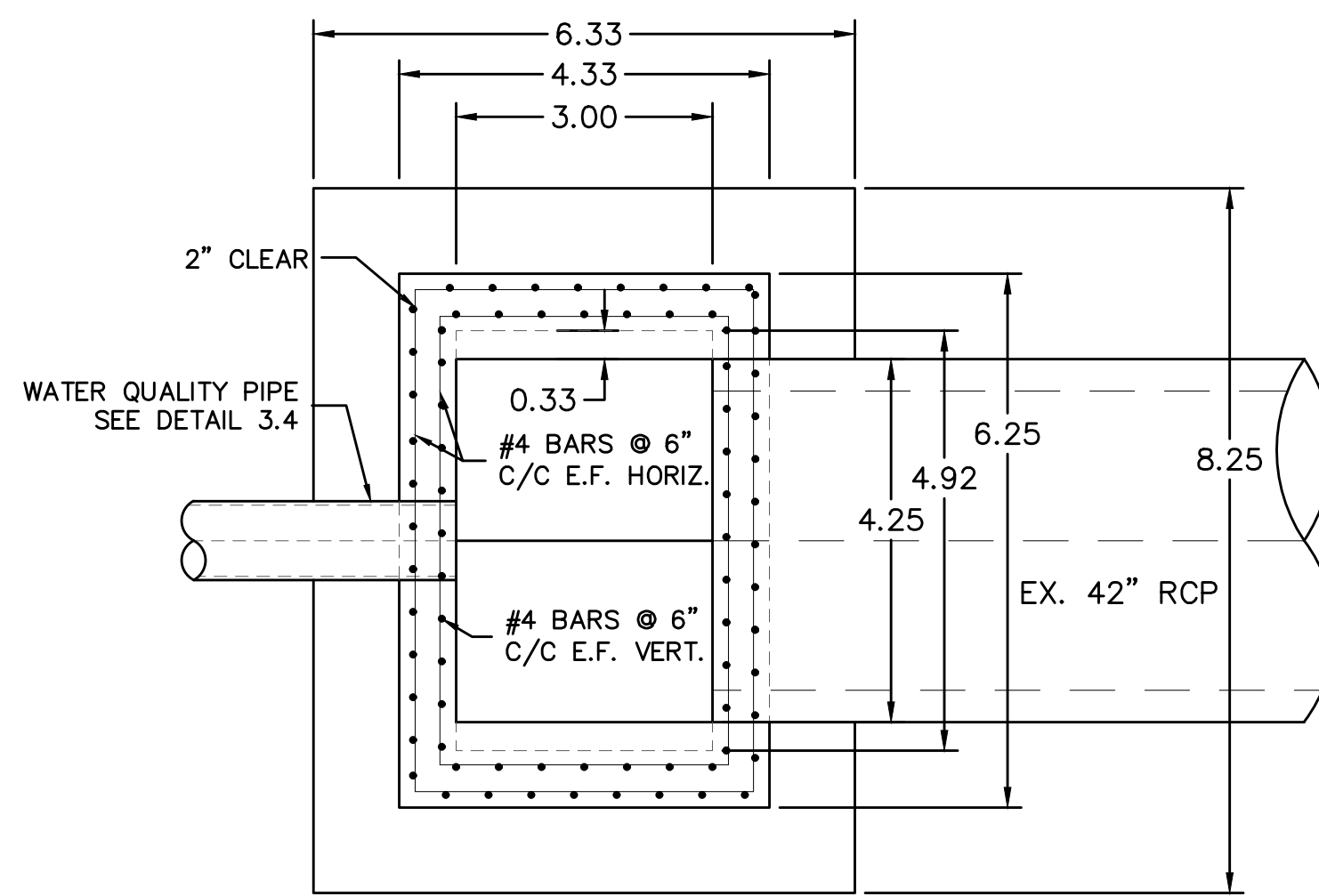
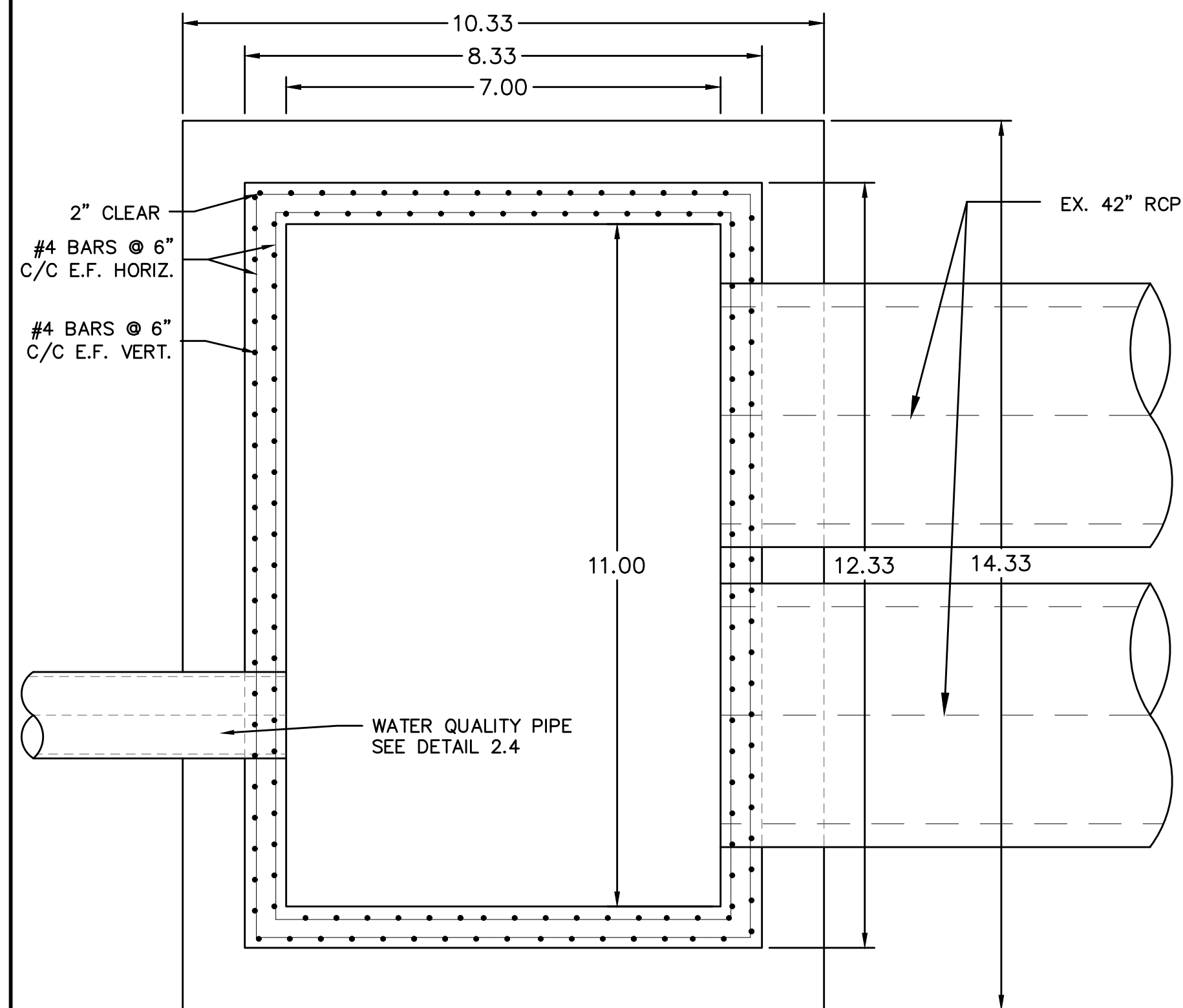
BEFORE YOU DIG CALL 811

OR
 UTILITY NOTIFICATION CENTER OF COLORADO
 1-800-922-1987
 (SEE COVER FOR LIST OF UTILITY CONTACTS)

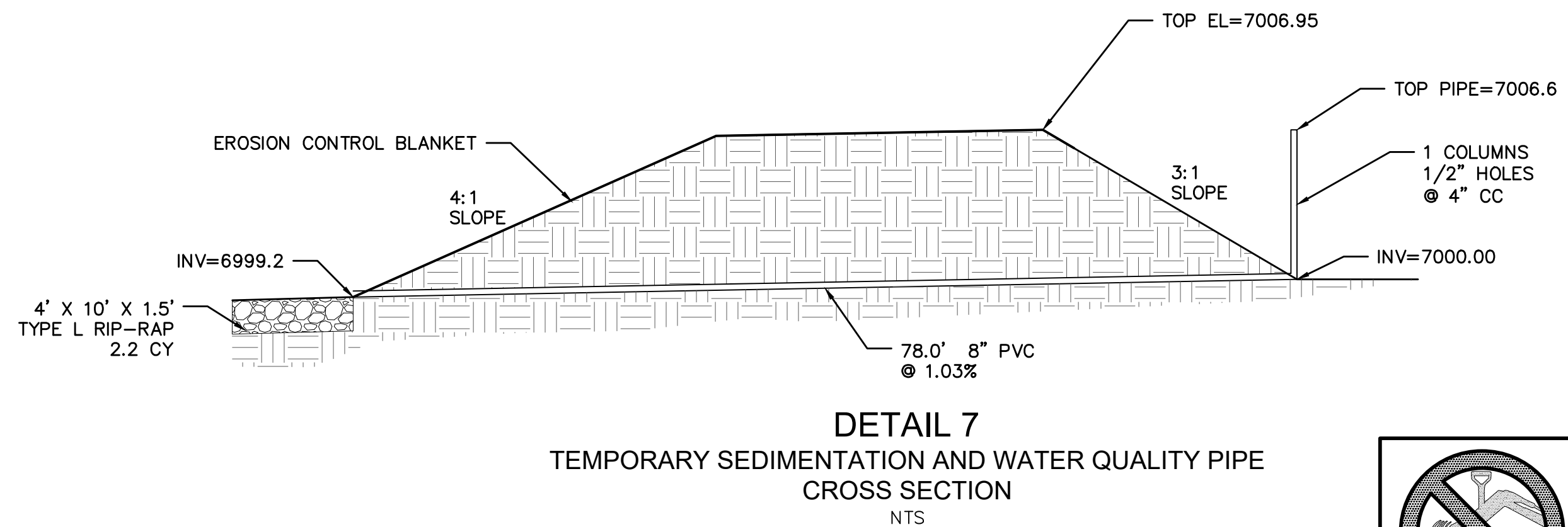
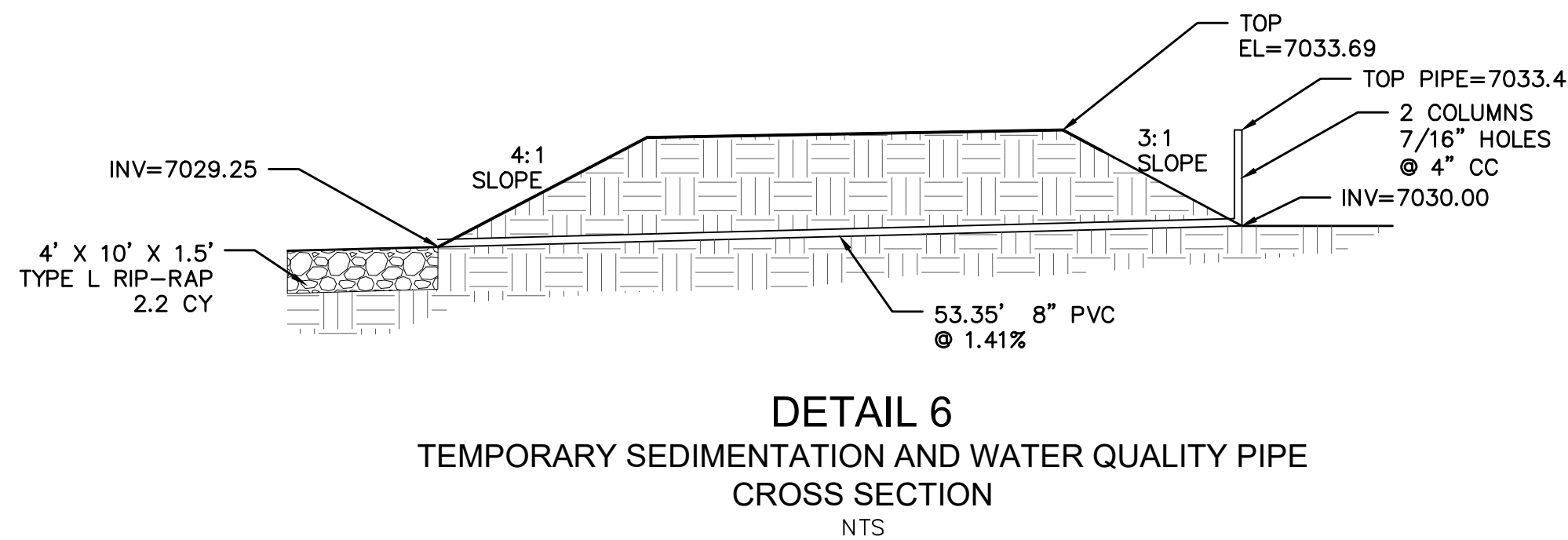
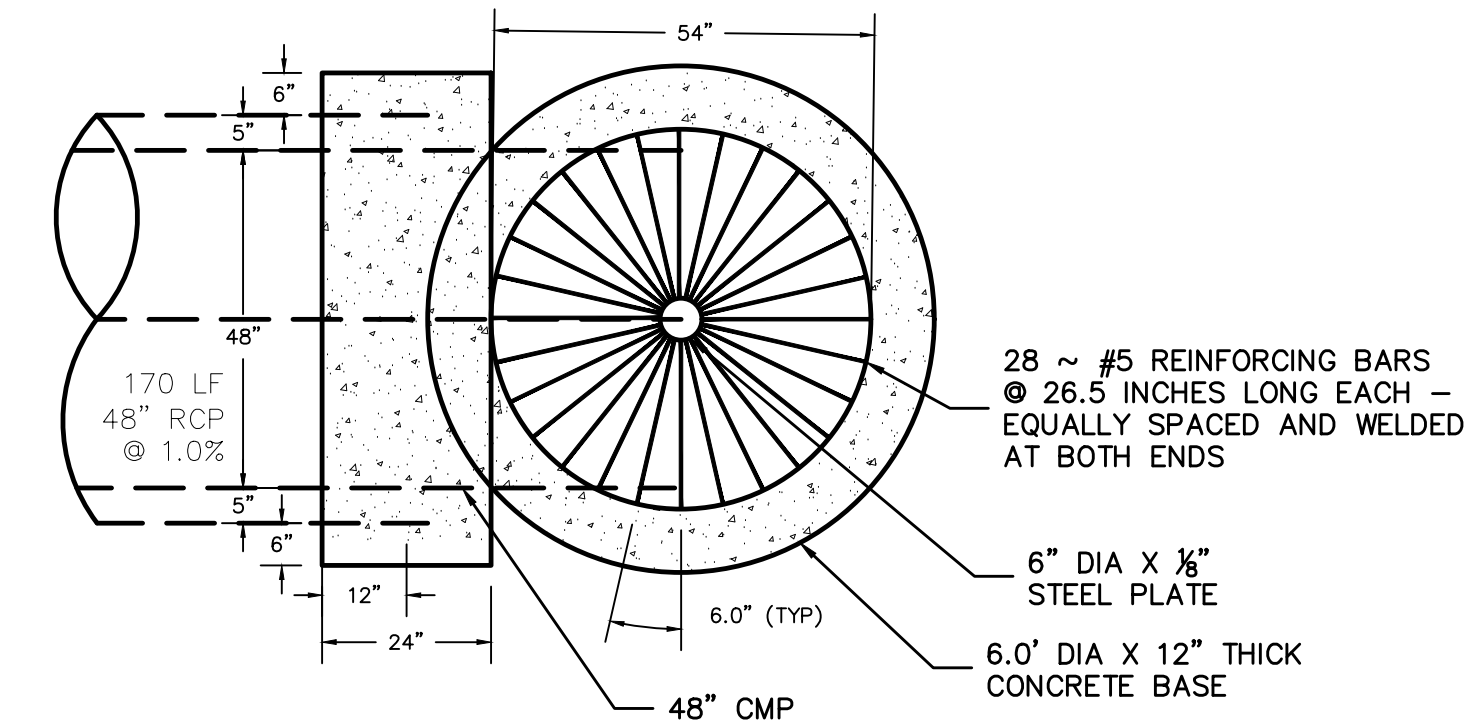
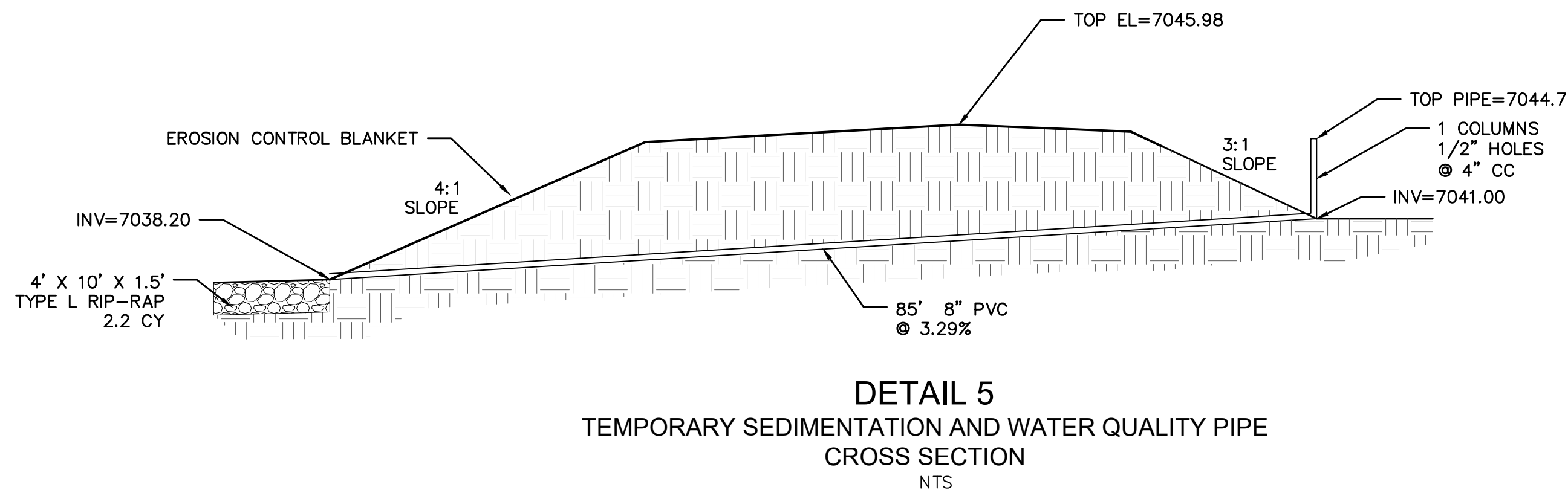
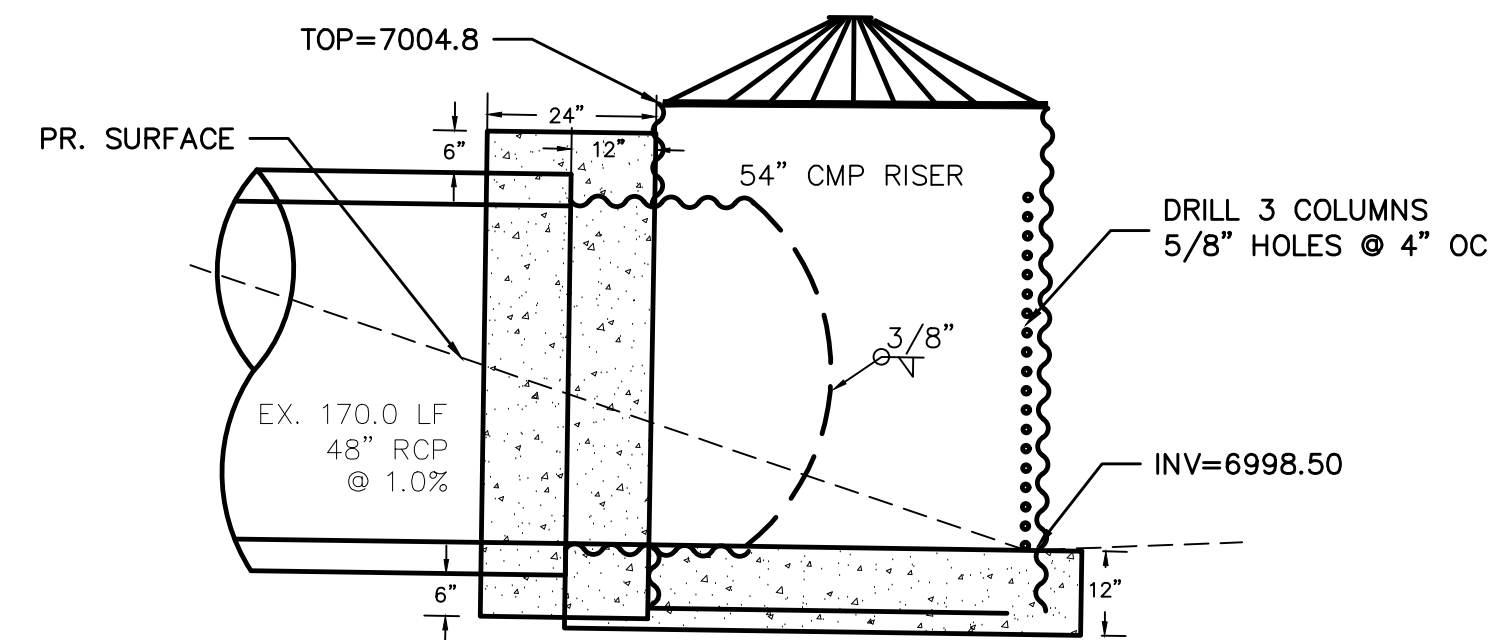
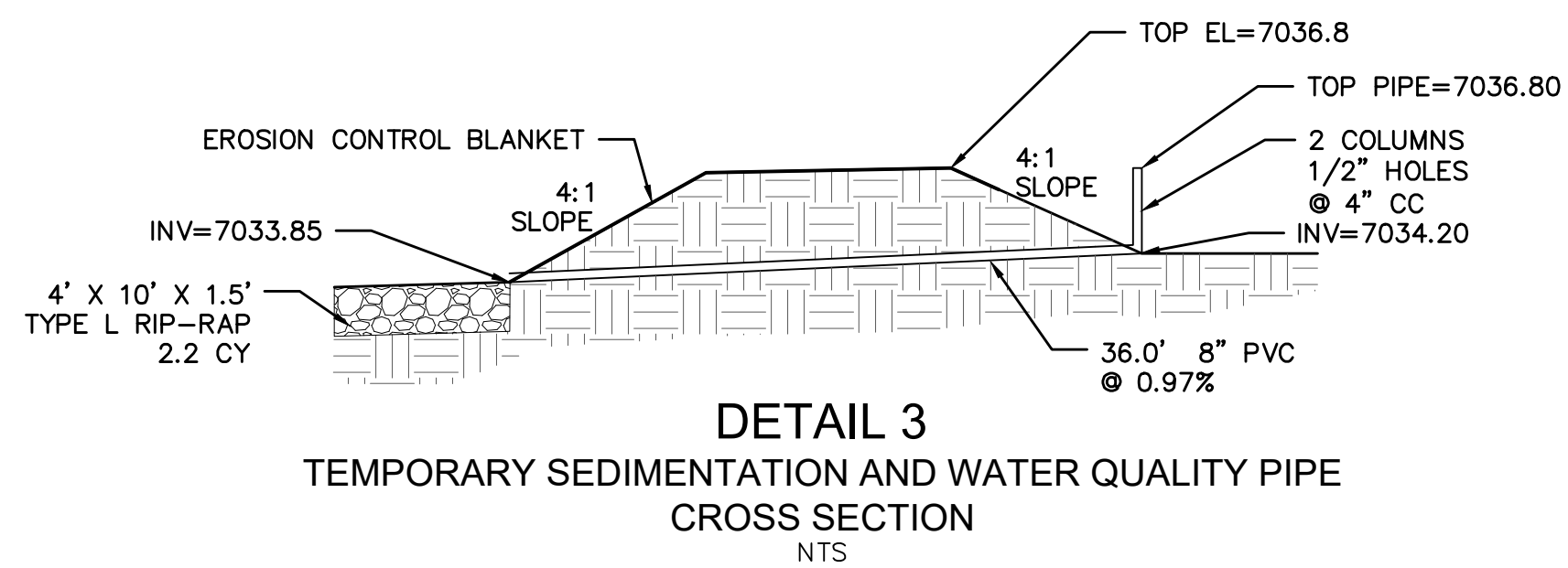
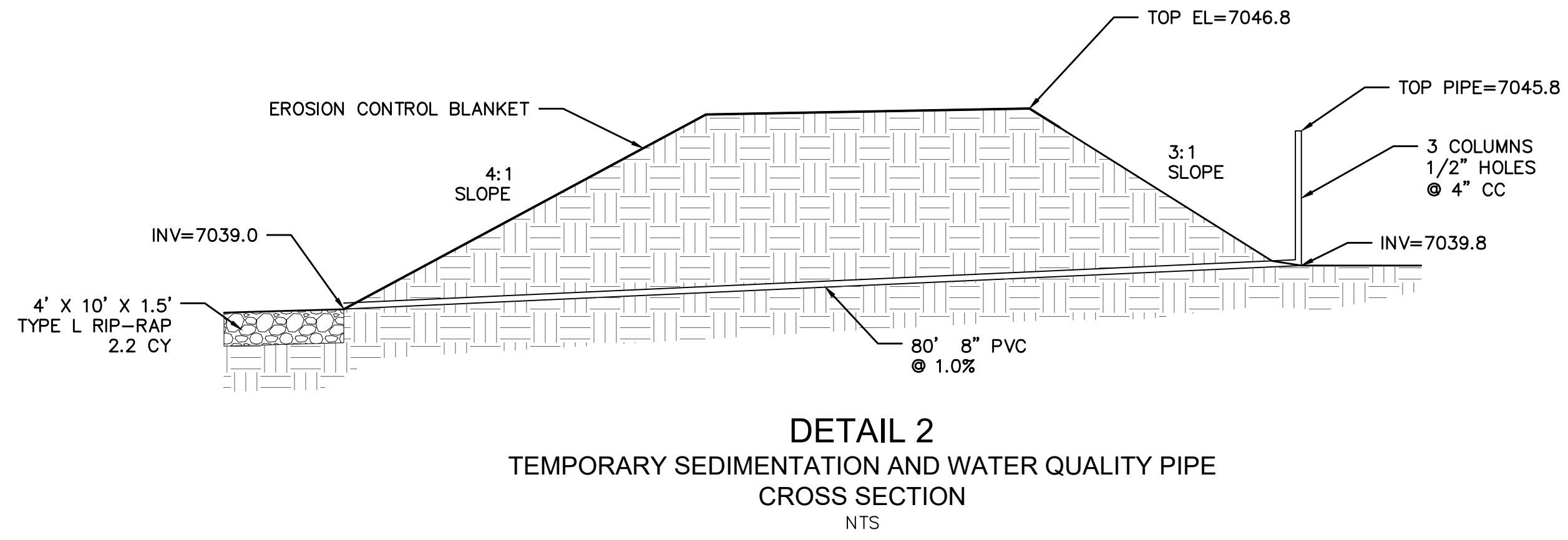
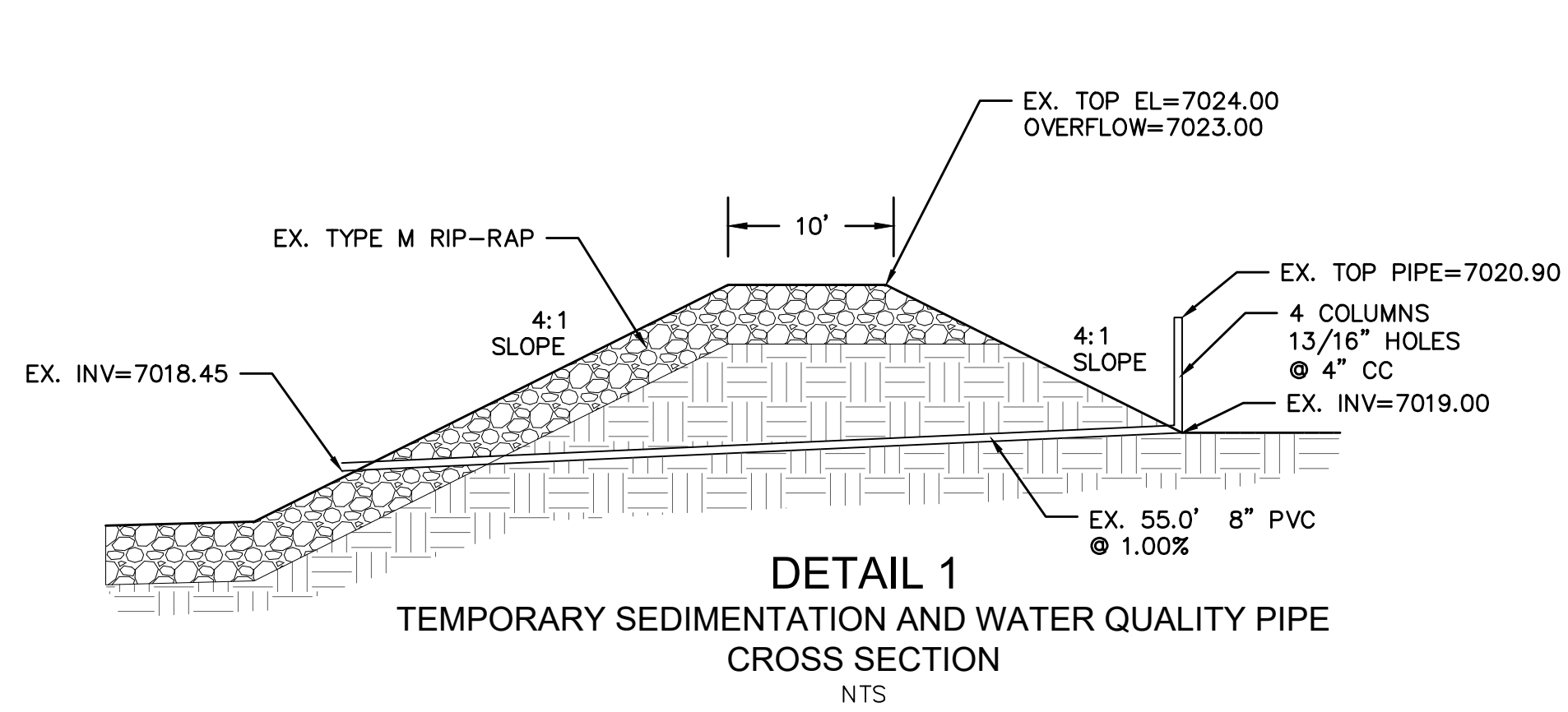
TECH CONTRACTORS 11886 STAPLETON DRIVE FALCON, CO 80831 TELEPHONE: 719.495.7444 FAX: 719.495.2457		No.	Revisions	Date	Appr.
		ROUGH GRADING WINDINGWALK AT MERIDIAN RANCH ROUGH GRADING/EROSION CONTROL PLAN PLAN SHEET		Drawn by	LCB
		Scale	AS SHOWN	Checked by	TAK
		18	of	22	Date
				DEC 2007	



INDEX MAP
NTS
this is not an approved structure for use in a permanent condition. see also comment sheet 18.
Unresolved.



TECH CONTRACTORS 11886 STAPLETON DRIVE FALCON, CO 80831 TELEPHONE: 719.495.7444 FAX: 719.495.2457		No.		Revisions		Date		Date		Date		Date		Date	
		RAUGH GRADING WINDING WALK AT MERIDIAN RANCH RAUGH GRADING/EROSION CONTROL PLAN DETAIL SHEET		Drawn by LCA		Checked by TAK		Date DEC 2017		Scale AS SHOWN		19 of 22		Date DEC 2017	
		Scale AS SHOWN		19 of 22		Date DEC 2017									



No.	Revisions	Date	Appr.	Date

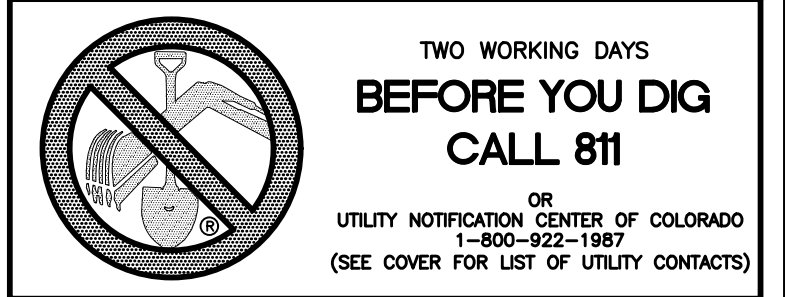
TECH CONTRACTORS
11886 STAPLETON DRIVE
FALCON, CO 80831
TELEPHONE: 719.495.7444
FAX: 719.495.2457

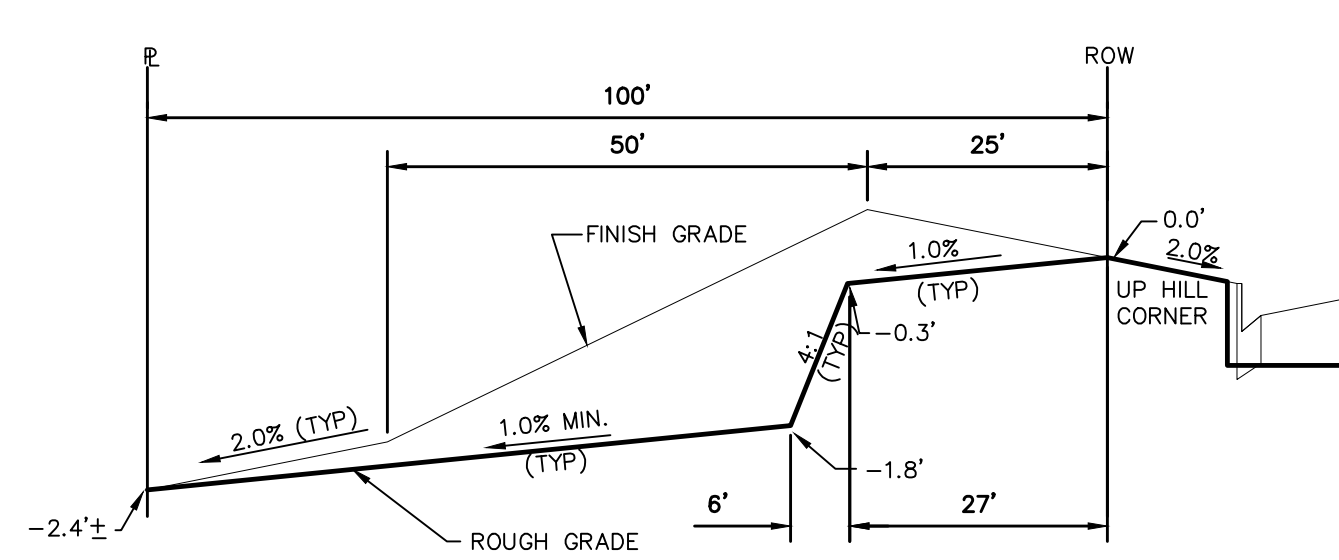


ROUGH GRADING WINDINGWALK
AT MERIDIAN RANCH
ROUGH GRADING/EROSION
CONTROL PLAN
DETAIL SHEET

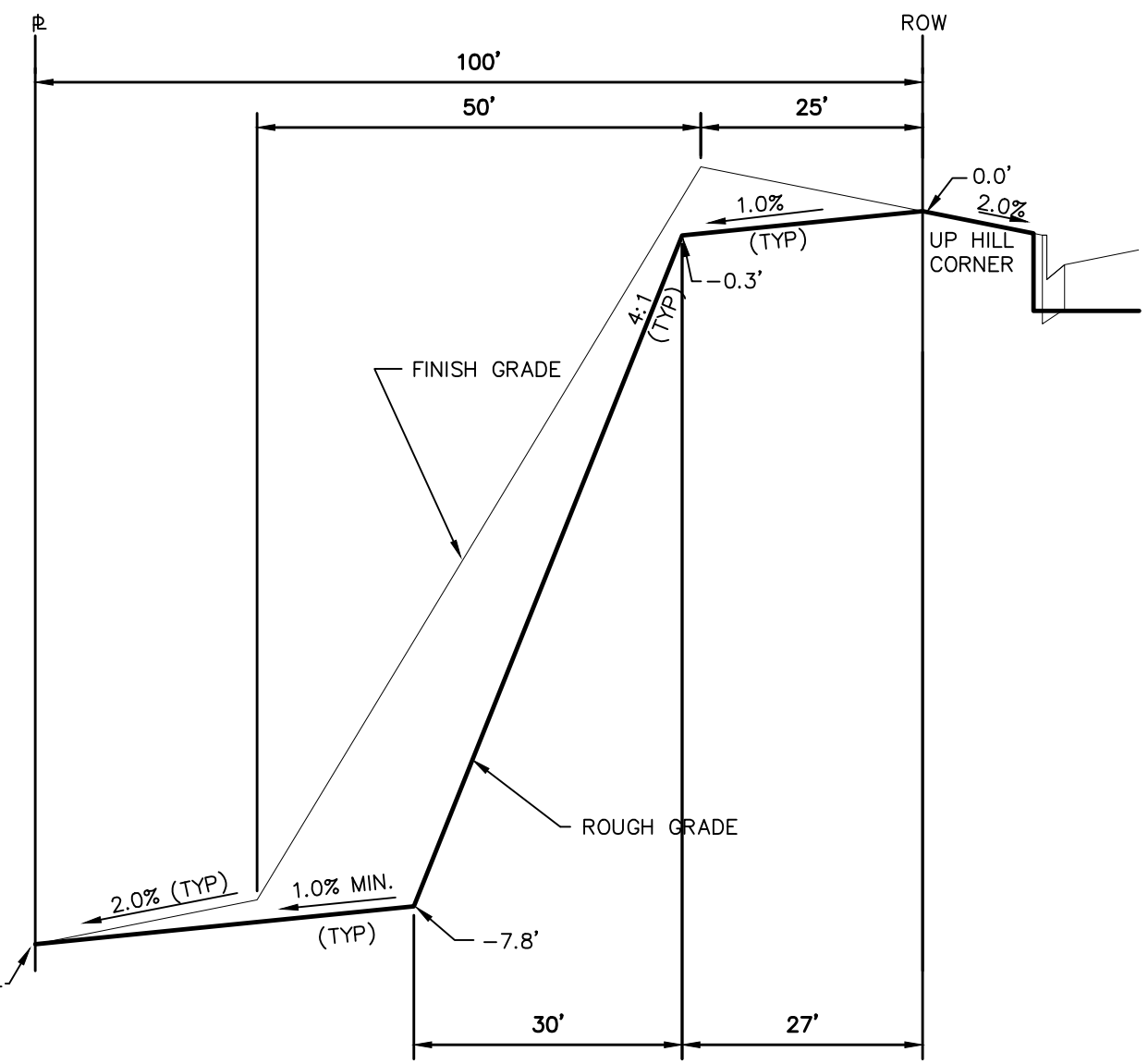
Drawn by LCA
Checked by TAK
Date DEC 2007

Scale AS SHOWN
20 of 22

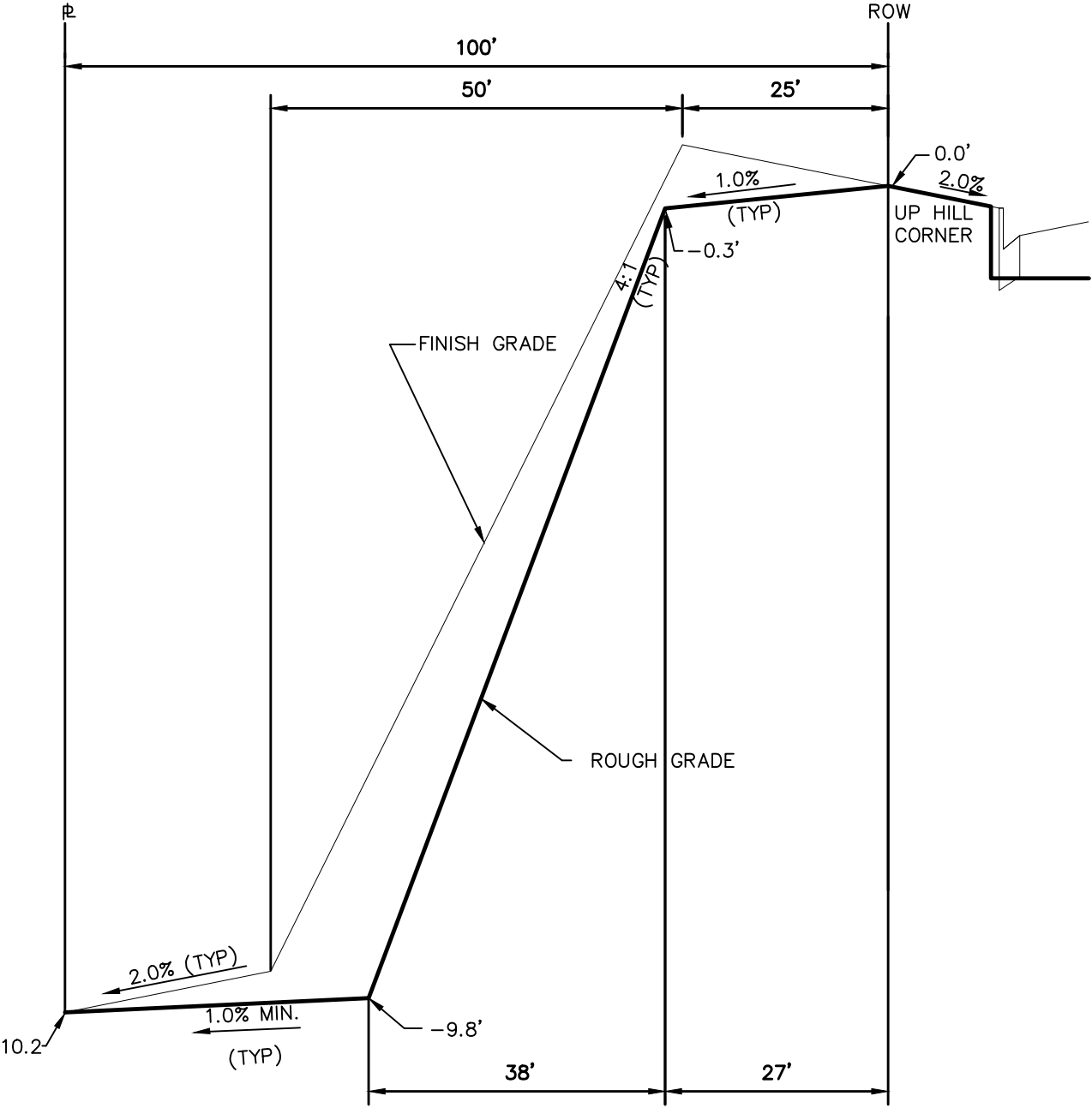




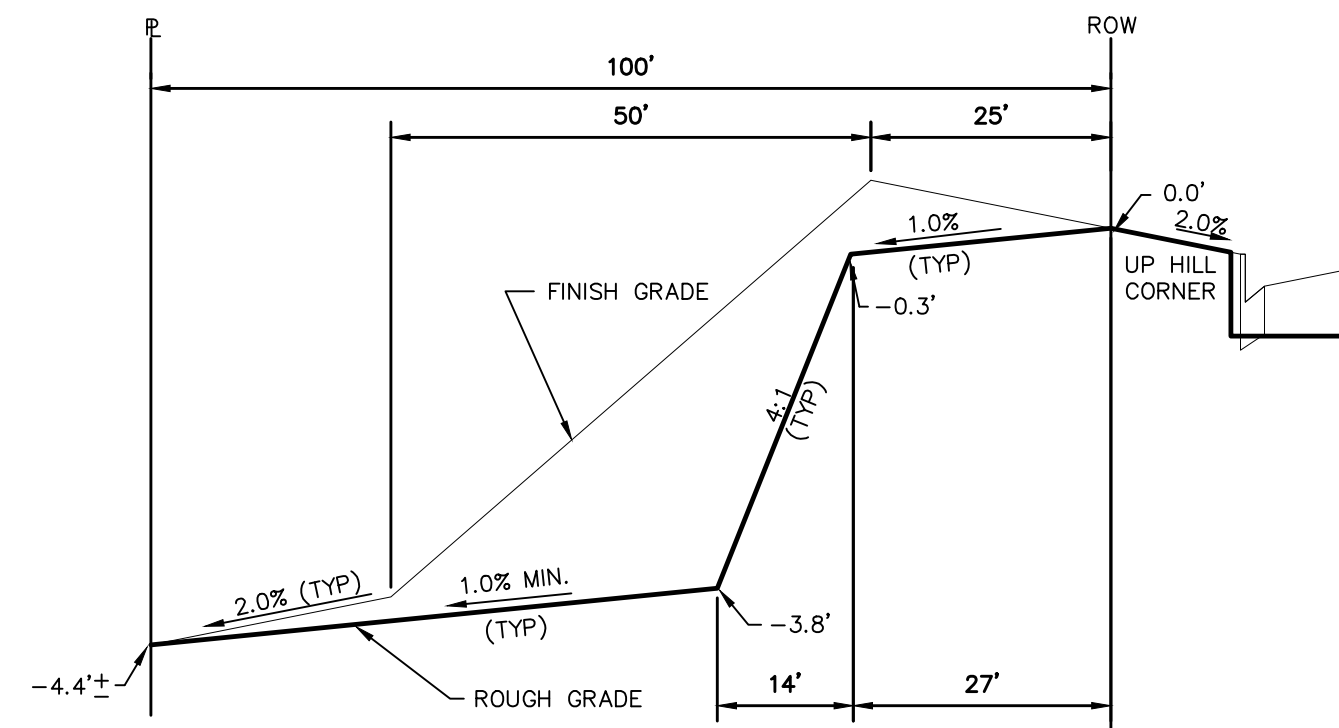
TYPICAL LOT "G2" TEMPLATES
NTS



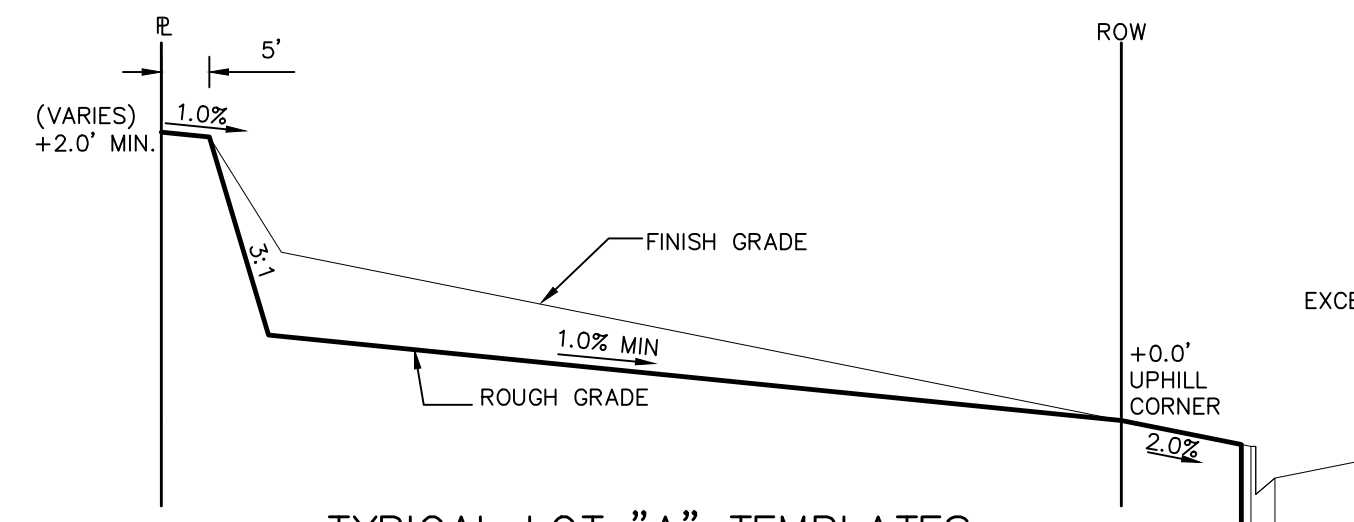
TYPICAL LOT "W8" TEMPLATES
NTS



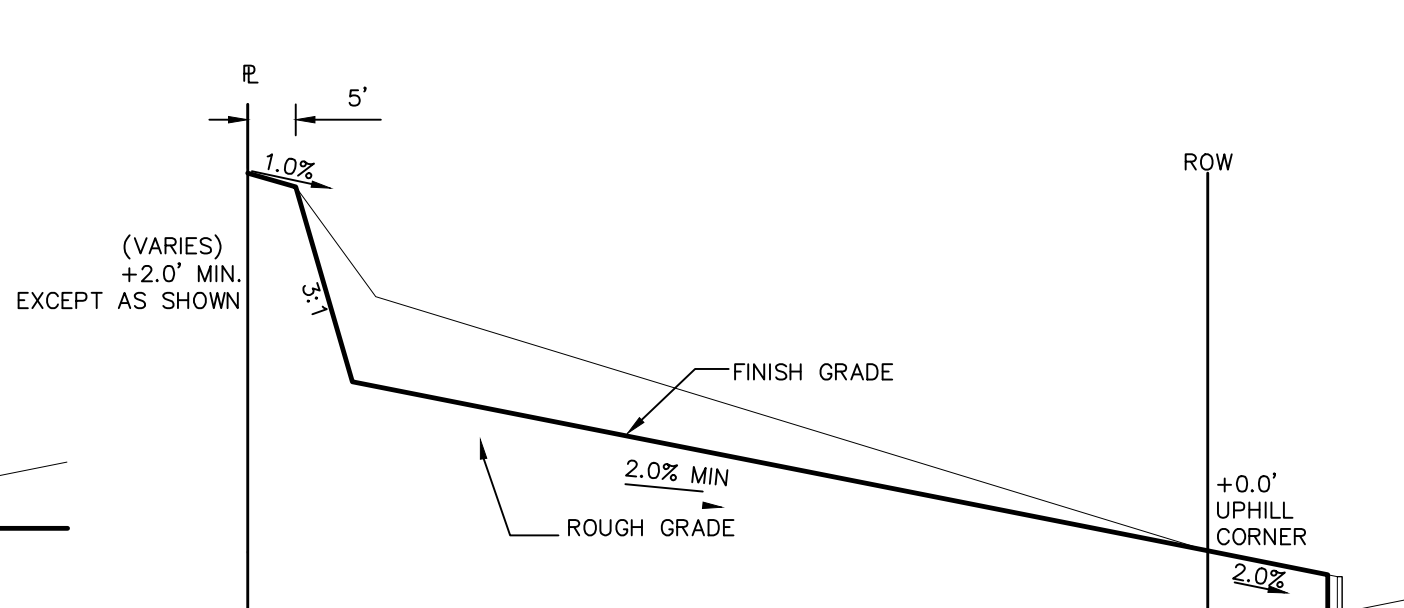
TYPICAL LOT "W10" TEMPLATES
NTS



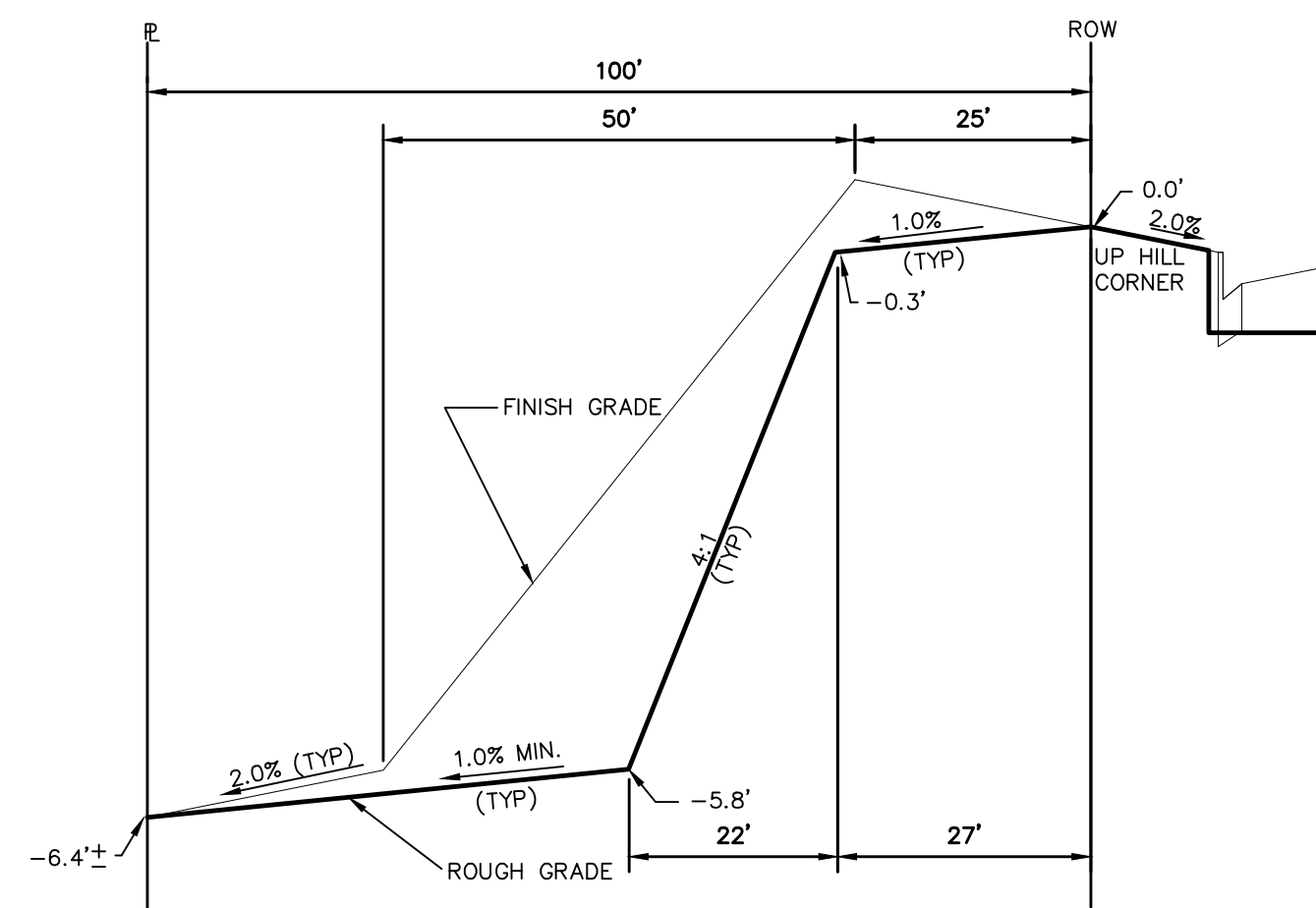
TYPICAL LOT "G4" TEMPLATES
NTS



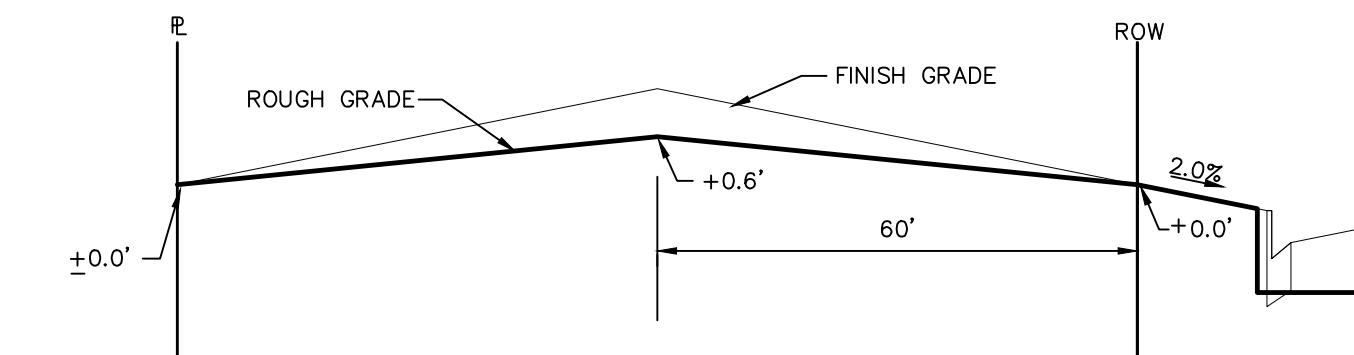
TYPICAL LOT "A" TEMPLATES
NTS



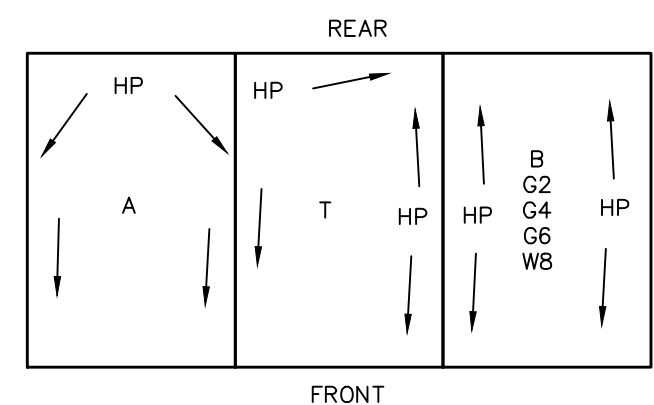
TYPICAL LOT "A*" TEMPLATES
NTS



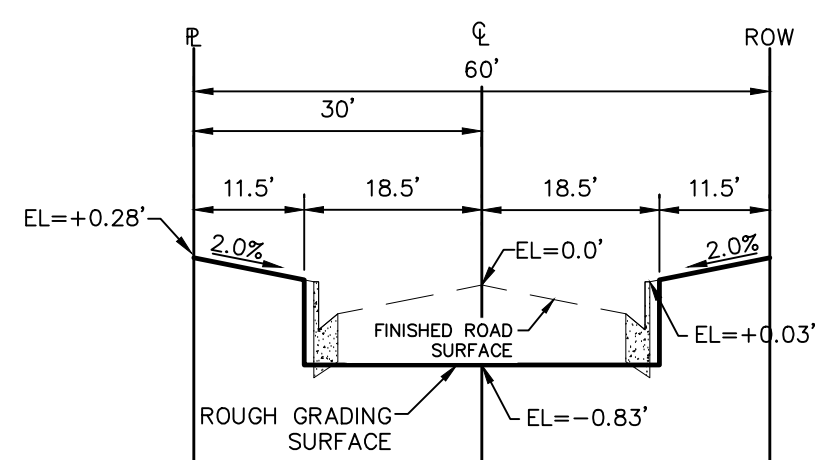
TYPICAL LOT "G6" TEMPLATES
NTS



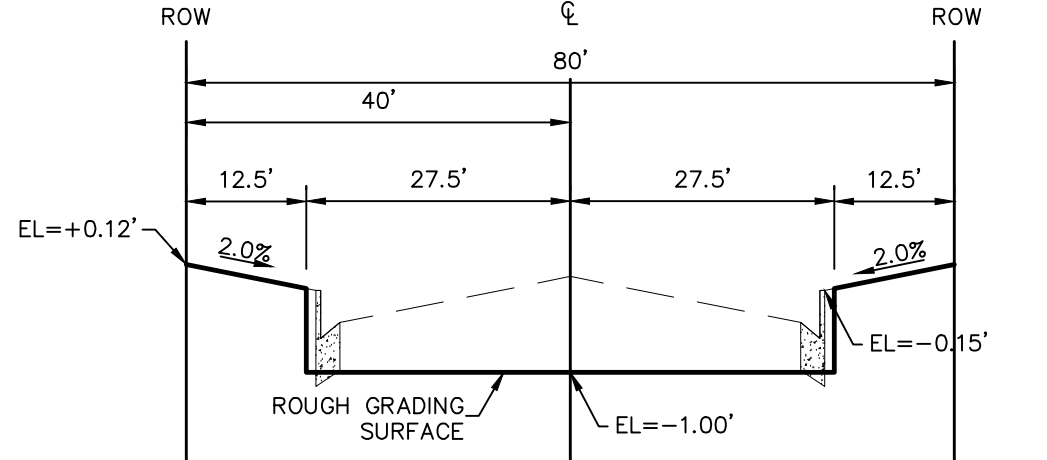
TYPICAL LOT "B" TEMPLATES
NTS



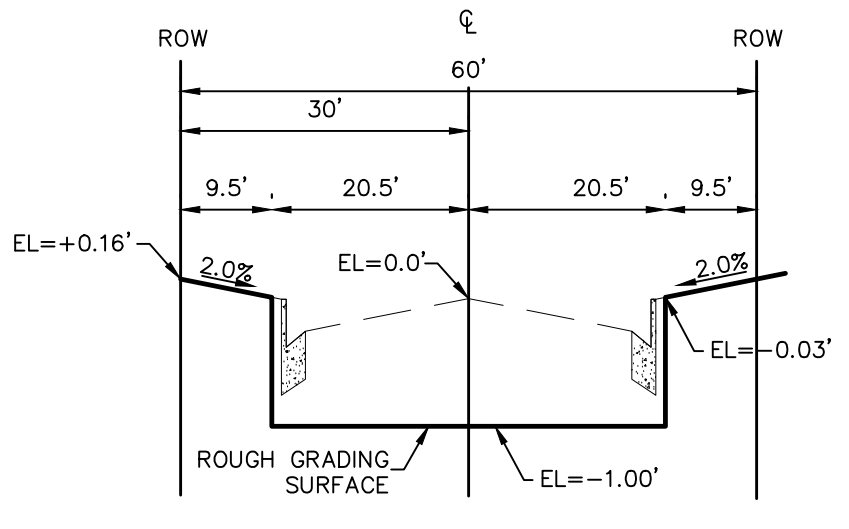
TYPICAL DRAINAGE PATTERN
NTS



TYPICAL RESIDENTIAL STREET SECTION
60' ROW
NTS



TYPICAL LAMBERT ROAD STREET SECTION
80' ROW
NTS



TYPICAL RAINBOW BRIDGE STREET SECTION
60' ROW
NTS

STEPS FOR CONSTRUCTION

THE ANTICIPATED START FOR THIS PROJECT IS NOVEMBER 2017 WITH AN ANTICIPATED COMPLETION DATE OF JUNE 2018. BELOW IS A BRIEF OUTLINE OF THE CONSTRUCTION SEQUENCE FOR THIS PROJECT.

- * INSTALL INITIAL BMP'S
- * CONSTRUCTION OF DITCHES AND EROSION CONTROL STRUCTURES
- * ROUGH GRADING

EROSION AND SEDIMENT CONTROLS

SILT FENCES AND STRAW BALE CHECK DAMS (OR APPROVED EQUAL) WILL BE INSTALLED PRIOR TO ANY EXCAVATION FOR THE MAJOR ROADS. STRAW BALE CHECK DAMS, FILTREX OR APPROVED EQUAL WILL BE PLACED AT ALL ENTRANCES AND EXITS OF DRAINAGE WAYS. STRAW BALES, FILTREX OR APPROVED EQUAL WILL BE INSTALLED AROUND THE OUTLET AND OVERFLOW STRUCTURE. THE OUTLET STRUCTURE WILL ALSO BE PROTECTED WITH RIPRAP ON THE DOWNSTREAM SIDE.

NON-STRUCTURE PRACTICES TO CONTROL EROSION AND SEDIMENTATION WILL INCLUDE RESEEDING OF GROUND COVER IN DISTURBED AREAS ACCORDING TO THE EROSION CONTROL PLAN. TEMPORARY SEEDING OF THE DETENTION POND AND MULCHING ALONG STEEP EMBANKMENTS WILL BE PERFORMED AS REQUIRED.

SILT FENCE IS REQUIRED TO BE IN PLACE PRIOR TO ANY MOVEMENT OF DIRT.

MATERIAL HANDLING AND SPILL PREVENTION

THE MOST PROBABLE SOURCE OF NON-STORMWATER POLLUTION IS REFUELING AND DAILY MAINTENANCE OPERATIONS. IF MOBILE FUEL TRUCKS ARE USED TO SERVICE EQUIPMENT, ABSORBENT MATERIALS AND CONTAINERS FOR THE STORAGE OF USED ABSORBENT MATERIAL WILL BE CLOSE BY. IF A FUEL TANK IS LEFT ON SITE, BERMS WILL BE BUILT AROUND THE TANK TO CAPTURE ANY SPILLED FUEL. AGAIN, ABSORBENT MATERIALS AND THEIR CONTAINERS WILL BE ON HAND.

FINAL STABILIZATION AND LONG TERM STORMWATER MANAGEMENT

ONCE THE MAJOR ROADS ARE PAVED AND THE SURROUNDING DISTURBED AREAS ARE 70% ESTABLISHED WITH VEGETATION AND ACCEPTANCE BY THE MERIDIAN RANCH SERVICE DISTRICT, THE CHECK DAMS AND THE SILT FENCES AROUND THE STREETS CAN BE REMOVED. AFTER COMPLETION OF THE STORM SEWER SYSTEM, THE STRAW BALES AND/OR FILTREX CAN BE REMOVED. AFTER ALL GROUND DISTURBING CONSTRUCTION HAS BEEN COMPLETED AND ALL SLOPES ARE 70% ESTABLISHED WITH VEGETATION AND ACCEPTANCE BY THE MERIDIAN RANCH SERVICE DISTRICT, REMAINING CHECK DAMS AND SILT FENCES CAN BE REMOVED. THE RIPRAP ON ANY OF THE OUTLETS WILL REMAIN AFTER CONSTRUCTION TO REDUCE EROSION OF THE CHANNELS. ALL PERMANENT SWALES WILL BE LINED WITH LANDSCAPING TO SLOW RUNOFF AND FILTER SEDIMENTS.

OTHER CONTROLS

- THERE ARE SEVERAL BEST MANAGEMENT PRACTICES THAT CAN BE EMPLOYED TO PREVENT OR MITIGATE THE SOURCE OF POLLUTANTS AND CONTAMINATION OF STORMWATER RUNOFF. SOME OF THESE ARE:
 - * ALL REFUSE DUMPSTERS AND RECEPTACLES SHALL BE EQUIPPED WITH FUNCTIONAL LIDS TO PREVENT RAIN AND SNOW FROM ENTERING.
 - * STORAGE CONTAINERS, DRUMS AND BAGS SHALL BE STORED AWAY FROM DIRECT TRAFFIC ROUTES TO PREVENT ACCIDENTAL SPILLS.
 - * EMPTY DRUMS SHALL BE COVERED TO PREVENT COLLECTION OF PRECIPITATION.
 - * CONTAINERS SHALL BE STORED ON PALLETS OR OTHER DUNNAGE TO PREVENT CORROSION OF CONTAINERS, WHICH CAN RESULT WHEN CONTAINERS COME IN CONTACT WITH MOISTURE ON THE GROUND.
 - * REGULARLY SCHEDULED REMOVAL OF CONSTRUCTION TRASH AND DEBRIS.
- THE CONTRACTOR IS CERTAINLY NOT LIMITED TO THESE GOOD HOUSEKEEPING MEASURES, AND MAY IMPLEMENT FURTHER CONTROLS AS PRUDENCE AND GOOD JUDGEMENT DEEM NECESSARY.

INSPECTION AND MAINTENANCE

- A THOROUGH INSPECTION OF THE STORMWATER MANAGEMENT SYSTEM SHALL BE PERFORMED EVERY 14 DAYS AS WELL AS AFTER ANY RAIN OR SNOWMELT EVENT THAT CAUSES SURFACE EROSION:
 - * EROSION OF V-NOTCH SWALES, CHANNELS AND SIDE SLOPES SHALL BE REPAIRED.
 - * WHEN THE CHECK DAMS HAVE SILTED UP TO HALF THEIR HEIGHT, THE SILT SHALL BE REMOVED, CHANNEL GRADE REESTABLISHED, AND SIDE SLOPES RE-SEEDING IF NECESSARY. ANY CHECK DAMS THAT HAVE SHIFTED OR DECAYED SHALL BE REPAIRED OR REPLACED.
 - * SILT FENCES SHALL BE CLEANED WHENEVER SEDIMENT HAS REACHED A DEPTH OF 6" AT THE FENCE, AND BROKEN WOODEN PARTS OR TORN FABRIC SHALL BE REPAIRED OR REPLACED.
 - * ANY ACCUMULATED TRASH OR DEBRIS SHALL BE REMOVED FROM OUTLETS.
 - * IF THE DEPTH OF THE SILT IN THE TEMPORARY SEDIMENTATION TRAP EXCEEDS 1/2 OF THE ORIGINAL DEPTH, THE TRAP SHALL BE CLEANED OUT AND RESTORED TO ITS ORIGINAL DEPTH. THE OVERFLOW SPILLWAY SHALL BE CLEANED OR REPAIRED AS NECESSARY.
- AN INSPECTION AND MAINTENANCE LOG FOLLOWS THIS STORMWATER MANAGEMENT PLAN.

REVEGETATION AND SEEDING

ALL DISTURBED AREAS SHALL BE REQUIRE SEEDING WITHIN TWO (2) WEEKS FOLLOWING THE ESTABLISHMENT OF FINAL GRADE. AREAS TO RECEIVE PAVEMENT DURING THE CONSTRUCTION OF THE ROAD SYSTEM SHALL NOT RECEIVE ANY SEEDING. SEEDING SHOULD BE ACCOMPLISHED USING AN APPROPRIATE GRASS DRILL, BY BROADCASTING OR BY HYDROMULCHING. IF SEEDING BY THE BROADCAST METHOD IS SELECTED THE APPLICATION RATE SHOULD BE DOUBLED. IF HYDROMULCHING IS SELECTED TWO OPERATIONS SHOULD BE CONSIDERED, APPLYING THE SEED FIRST AND THE MULCH IN A SECOND OPERATION. UPON COMPLETION OF THE SEEDING OPERATION THE SITE SHOULD BE COVERED WITH WEED FREE MULCH AT A RATE OF 4,000 LBS. PER ACRE. MULCH SHALL BE INSTALLED PER DCM VOLUME 2, FIGURE MU-1, FOUND ON PAGE 3-30.

BELOW IS THE ACCEPTED GRASS MIX FOR SANDY SOILS:

GRASS	VARIETY	AMOUNT IN PLS LBS. PER ACRE
SIDEOATS GRAMA	EL RENO	3.0
WESTERN WHEATGRASS	BARTON	2.5
SLENDER WHEATGRASS	NATIVE	2.0
LITTLE BLUESTERN	PASTURA	2.0
SAND DROPSEED	NATIVE	0.5
SWITCH GRASS	NEBRASKA	3.0
WEEPING LOVE GRASS	MORPHA	1.0

No.	Revisions	Date	Appr.	Date

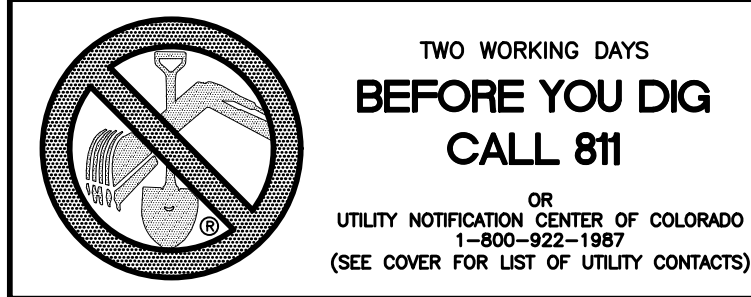
TECH CONTRACTORS
11886 STAPLETON DRIVE
FALCON, CO 80831
TELEPHONE: 719.495.7444
FAX: 719.495.2457



ROUGH GRADING WINDINGWALK
AT MERIDIAN RANCH
ROUGH GRADING/EROSION
CONTROL PLAN
DETAIL SHEET

Drawn by LCA
Checked by TAK
Date DEC 2017

Scale AS SHOWN
21 of 22



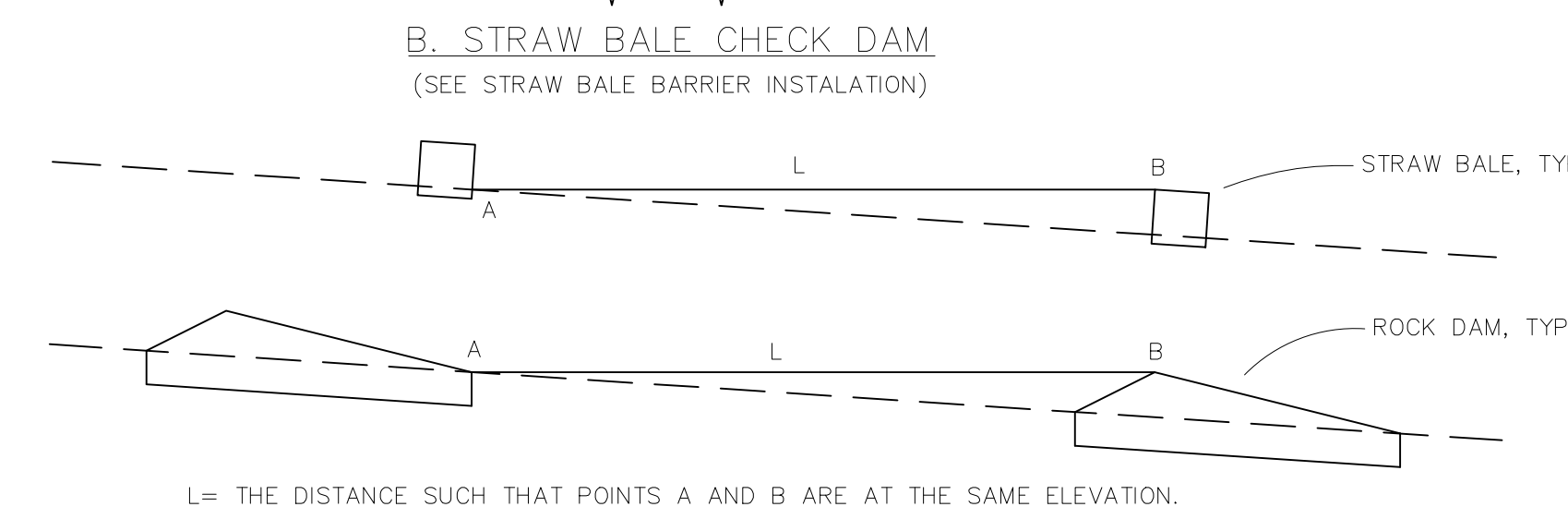
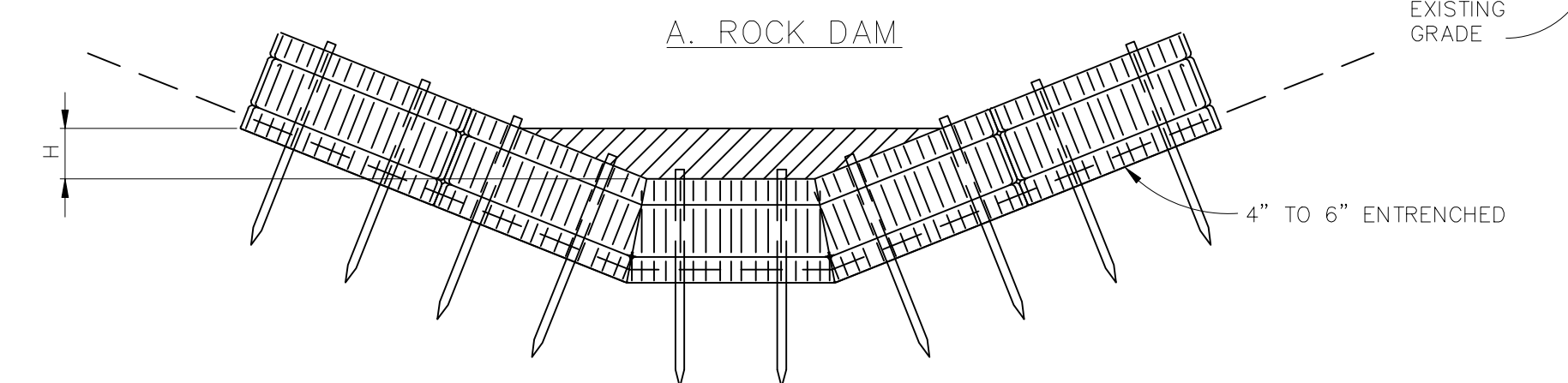
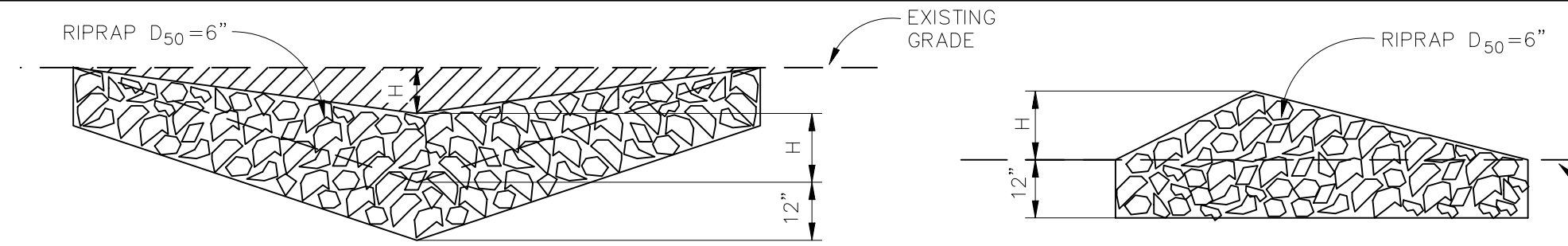
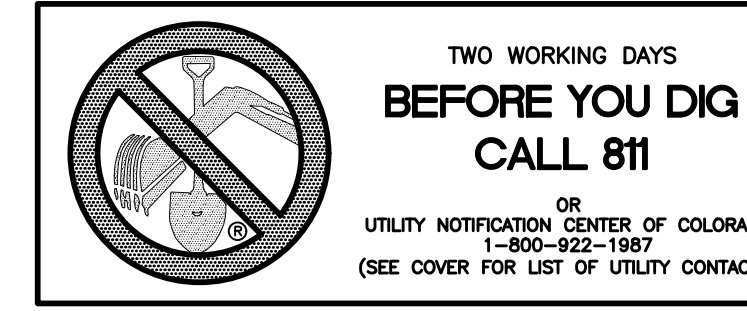
STRAW BALE BARRIER NOTES

INSTALLATION REQUIREMENTS

- STRAW BALE BARRIERS SHALL BE INSTALLED PRIOR TO ANY LAND DISTURBING ACTIVITIES.
- BALES SHALL CONSIST OF APPROXIMATELY 5 CUBIC FEET OF CERTIFIED WEED FREE HAY OR STRAW AND WEIGH NOT LESS THAN 35 POUNDS.
- BALES ARE TO BE PLACED IN A SINGLE ROW WITH THE END OF THE BALES TIGHTLY ABUTTING ONE ANOTHER.
- EACH BALE IS TO BE SECURELY ANCHORED WITH AT LEAST TWO STAKES AND THE FIRST STAKE IS TO BE DRIVEN TOWARD THE PREVIOUSLY LAID BALE TO FORCE THE BALES TOGETHER.
- STAKES ARE TO BE A MINIMUM OF 42 INCHES LONG. METAL STAKES SHALL BE STANDARD "T" OR "U" TYPE WITH MINIMUM WEIGHT OF 1.33 POUNDS PER LINEAR FOOT. WOOD STAKES SHALL HAVE A MINIMUM DIAMETER OR CROSS SECTION DIMENSION OF 2 INCHES.
- BALES ARE TO BE BOUND WITH EITHER WIRE OR STRING AND ORIENTED SUCH THAT THE BINDINGS ARE AROUND THE SIDES AND NOT ALONG THE TOPS AND BOTTOMS OF THE BALE.
- GAPS BETWEEN BALES ARE TO BE CHINKED (FILLED BY WEDGING) WITH STRAW OR THE SAME MATERIAL OF THE BALE.
- END BALES ARE TO EXTEND UPSLOPE SO THE TRAPPED RUNOFF CANNOT FLOW AROUND THE ENDS OF THE BARRIER.

MAINTENANCE REQUIREMENTS

- CONTRACTOR SHALL INSPECT STRAW BALE BARRIERS IMMEDIATELY AFTER EACH RAINFALL, AT LEAST DAILY DURING PROLONGED RAINFALL, AND WEEKLY DURING PERIODS NO RAINFALL.
- DAMAGED OR INEFFECTIVE BARRIERS SHALL PROMPTLY BE REPAIRED, REPLACING BALES IF NECESSARY, AND UNENTRENCHED BALES NEED TO BE REPAIRED WITH COMPACTED BACKFILL MATERIAL.
- SEDIMENT SHALL BE REMOVED FROM BEHIND STRAW BALE BARRIERS WHEN IT ACCUMULATES TO APPROXIMATELY 1/2 THE HEIGHT OF THE BARRIER.
- STRAW BALE BARRIERS SHALL BE REMOVED WHEN ADEQUATE VEGETATIVE COVER IS ATTAINED AS APPROVED BY THE CITY.



L = THE DISTANCE SUCH THAT POINTS A AND B ARE AT THE SAME ELEVATION.

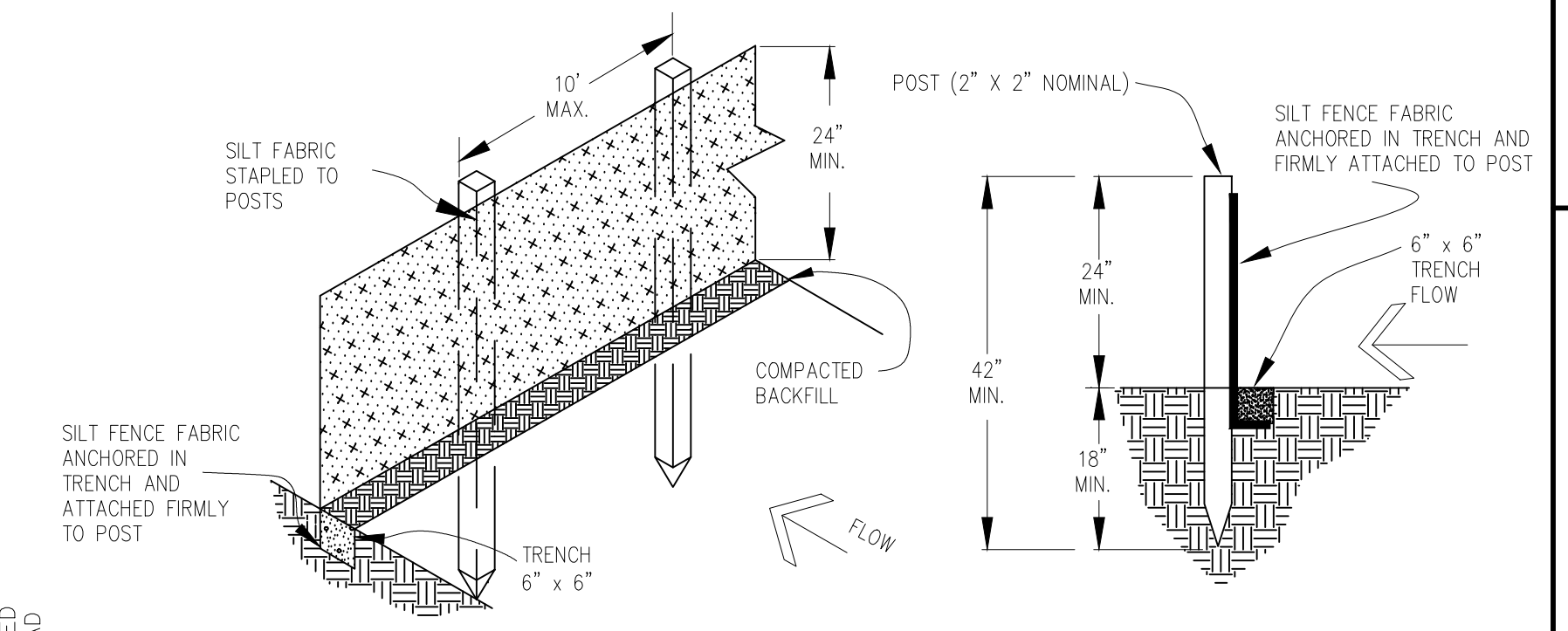
CHECK DAM NOTES

INSTALLATION REQUIREMENTS

- STRAW BALES USED AS CHECK DAMS ARE TO MEET THE REQUIREMENTS STATED IN FIGURE SBB-2.
- THE "H" DIMENSION SHALL BE SELECTED TO PROVIDE WEIR FLOW CONVEYANCE FOR 2-YEAR FLOW OR GREATER.

MAINTENANCE REQUIREMENTS

- REGULAR INSPECTIONS ARE TO BE MADE OF ALL CHECK DAMS, ESPECIALLY AFTER STORM EVENTS.
- REPLACE STONE AS NECESSARY TO MAINTAIN THE CORRECT HEIGHT OF THE DAM.
- ACCUMULATED SEDIMENT AND DEBRIS IS TO BE REMOVED FROM BEHIND THE DAMS AFTER EACH STORM OR WHEN 1/2 OF THE ORIGINAL HEIGHT OF THE DAM IS REACHED.
- CHECK DAMS ARE TO REMAIN IN PLACE AND OPERATIONAL UNTIL THE DRAINAGE AREA AND CHANNEL ARE PERMANENTLY STABILIZED.
- WHEN CHECK DAMS ARE REMOVED THE CHANNEL LINING OR VEGETATION IS TO BE RESTORED.



SILT FENCE NOTES

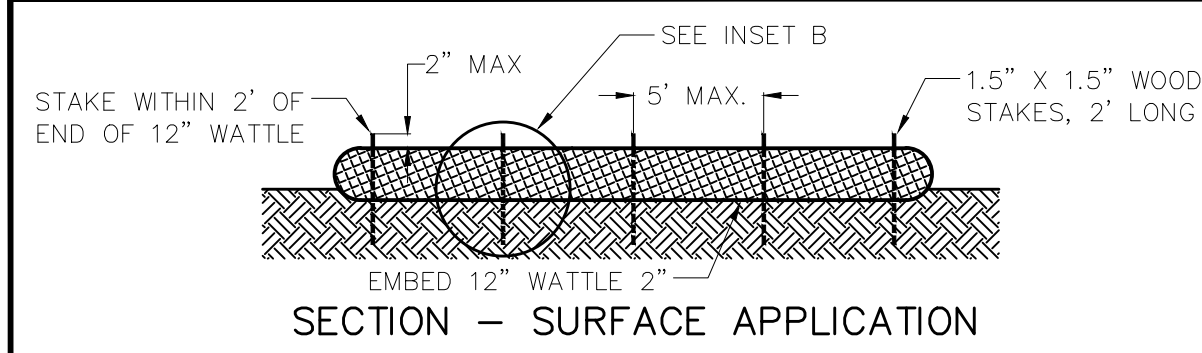
INSTALLATION REQUIREMENTS

- SILT FENCES SHALL BE INSTALLED PRIOR TO ANY LAND DISTURBING ACTIVITIES.
- WHEN JOINTS ARE NECESSARY, SILT FENCE GEOTEXTILE SHALL BE SPLICED TOGETHER ONLY AT SUPPORT POST AND SECURELY SEALED.
- METAL POSTS SHALL BE "STUDDED TEE" OR "U" TYPE WITH MINIMUM WEIGHT OF 1.33 POUNDS PER LINEAR FOOT. WOOD POSTS SHALL HAVE A MINIMUM DIAMETER OR CROSS SECTION DIMENSION OF 2 INCHES.
- THE FILTER MATERIAL SHALL BE FASTENED SECURELY TO METAL OR WOOD POSTS USING WIRE TIES, OR TO WOOD POSTS WITH 3/4" LONG #9 HEAVY-DUTY STAPLES. THE SILT FENCE GEOTEXTILE SHALL NOT BE STAPLED TO EXISTING TREES.
- WHILE NOT REQUIRED, WIRE MESH FENCE MAY BE USED TO SUPPORT THE GEOTEXTILE. WIRE FENCE SHALL BE FASTENED SECURELY TO THE UPSLOPE SIDE OF THE POSTS USING HEAVY-DUTY WIRE STAPLES AT LEAST 3/4" LONG, TIE WIRES OR HOG RINGS. THE WIRE SHALL EXTEND INTO THE TRENCH A MINIMUM OF 6" AND SHALL NOT EXTEND MORE THAN 3" ABOVE THE ORIGINAL GROUND SURFACE.

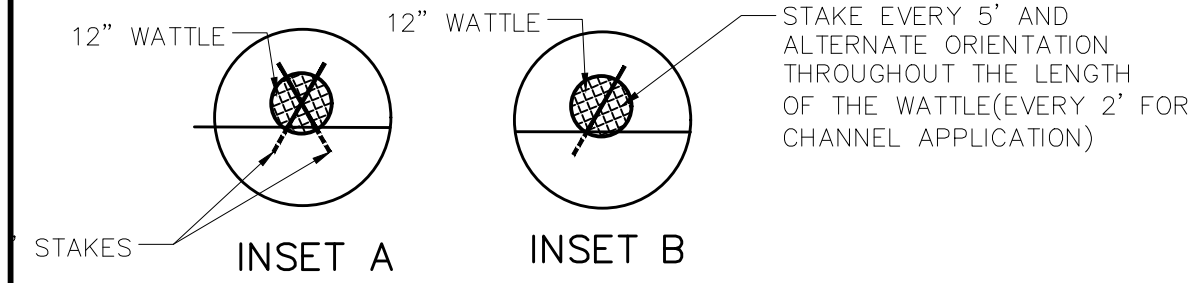
- ALONG THE TOE OF FILLS, INSTALL THE SILT FENCE ALONG A LEVEL CONTOUR AND PROVIDE AN AREA BEHIND THE FENCE FOR RUNOFF TO POND AND SEDIMENT TO SETTLE. A MINIMUM DISTANCE OF 5 FEET FROM THE TOE OF THE FILL IS RECOMMENDED.
- THE HEIGHT OF THE SILT FENCE FROM THE GROUND SURFACE SHALL BE MINIMUM OF 24 INCHES AND SHALL NOT EXCEED 36 INCHES; HIGHER FENCES MAY INFOLD VOLUMES OF WATER SUFFICIENT TO CAUSE FAILURE OF THE STRUCTURE.

MAINTENANCE REQUIREMENTS

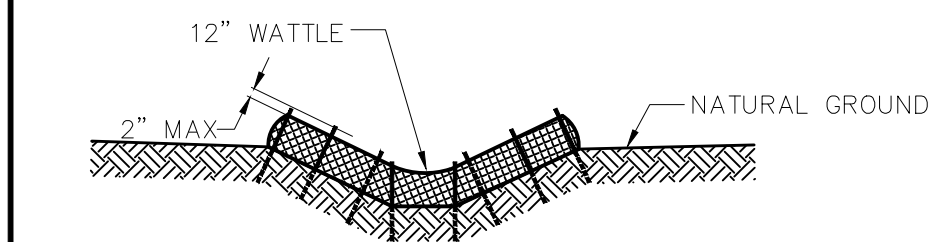
- CONTRACTOR SHALL INSPECT SILT FENCES IMMEDIATELY AFTER EACH RAINFALL, AT LEAST DAILY DURING PROLONGED RAINFALL, AND WEEKLY DURING PERIODS OF NO RAINFALL. DAMAGED, COLLAPSED, UNENTRENCHED OR INEFFECTIVE SILT FENCES SHALL BE PROMPTLY REPAIRED OR REPLACED.
- SEDIMENT SHALL BE REMOVED FROM BEHIND SILT FENCE WHEN IT ACCUMULATES TO HALF THE EXPOSED GEOTEXTILE HEIGHT.
- SILT FENCES SHALL BE REMOVED WHEN ADEQUATE VEGETATIVE COVER IS ATTAINED AS APPROVED BY THE CITY.



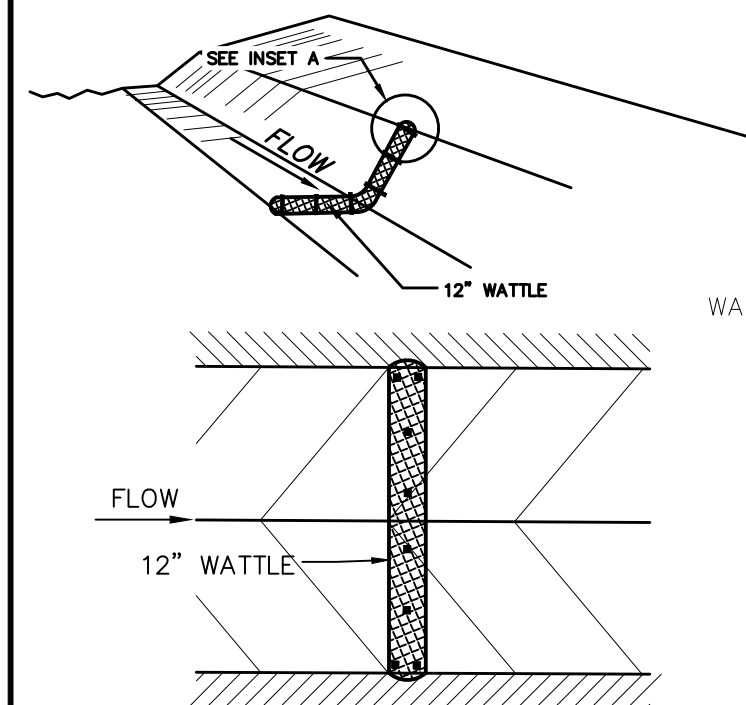
SECTION - SURFACE APPLICATION



SECTION - V-NOTCH CHANNEL



SECTION - TRAPAZOIDAL CHANNEL



PLAN VIEW

NOTES:

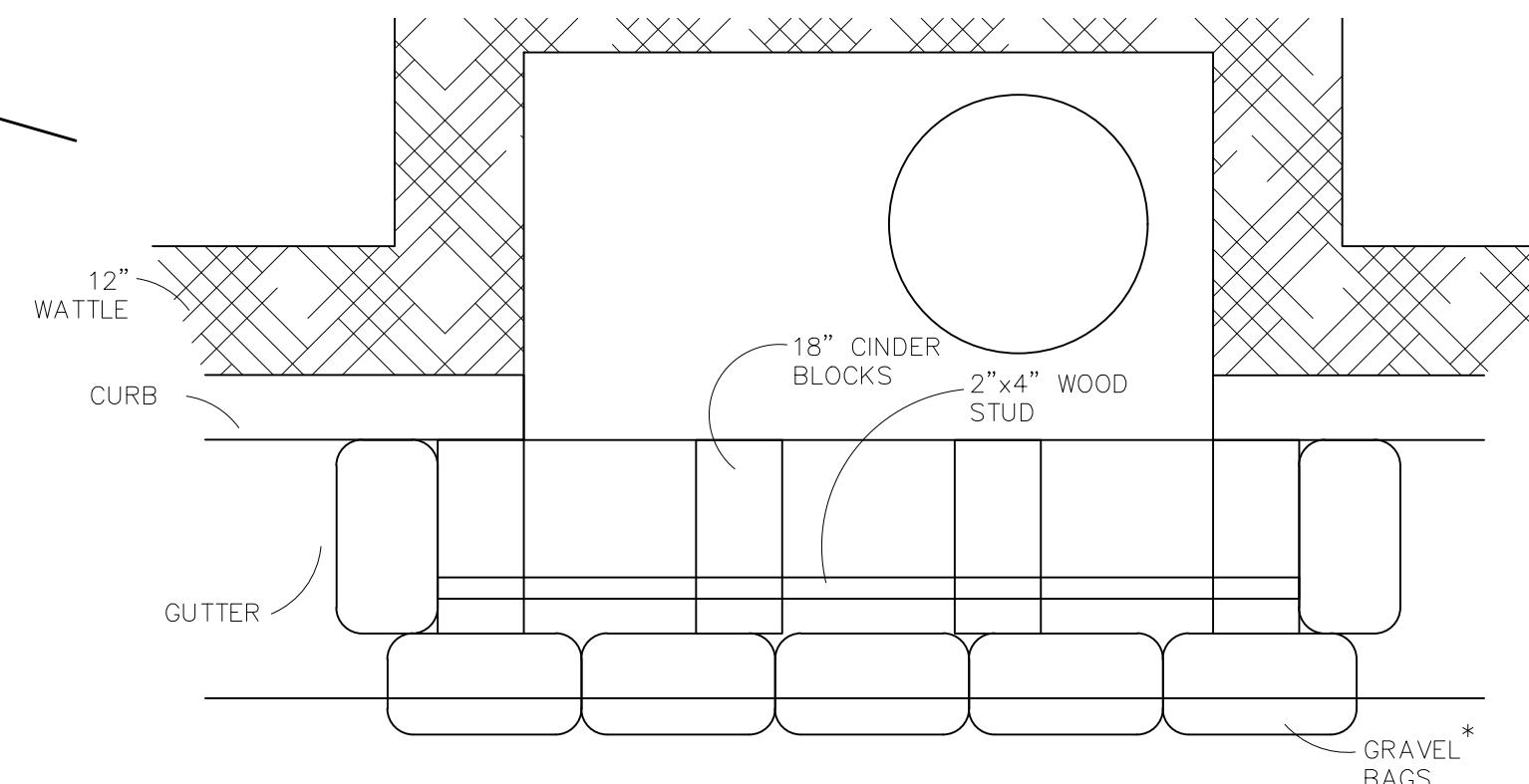
USE 2 FT WOODEN STATES WITH A 1.5 IN BY 1.5 IN NOMINAL CROSS SECTION.
ONLY INSTALL 12" WATTLES TO A HEIGHT IN DITCH SO FLOW WILL NOT WASH AROUND WATTLE AND SCOUR DITCH SLOPES OR AS DIRECTED.

REMOVE ACCUMULATED SEDIMENT WHEN IT REACHES ONE HALF OF THE EXPOSED LOG HEIGHT. INSPECTIONS SHALL BE PERFORMED FREQUENTLY FOR PROPER FUNCTION.

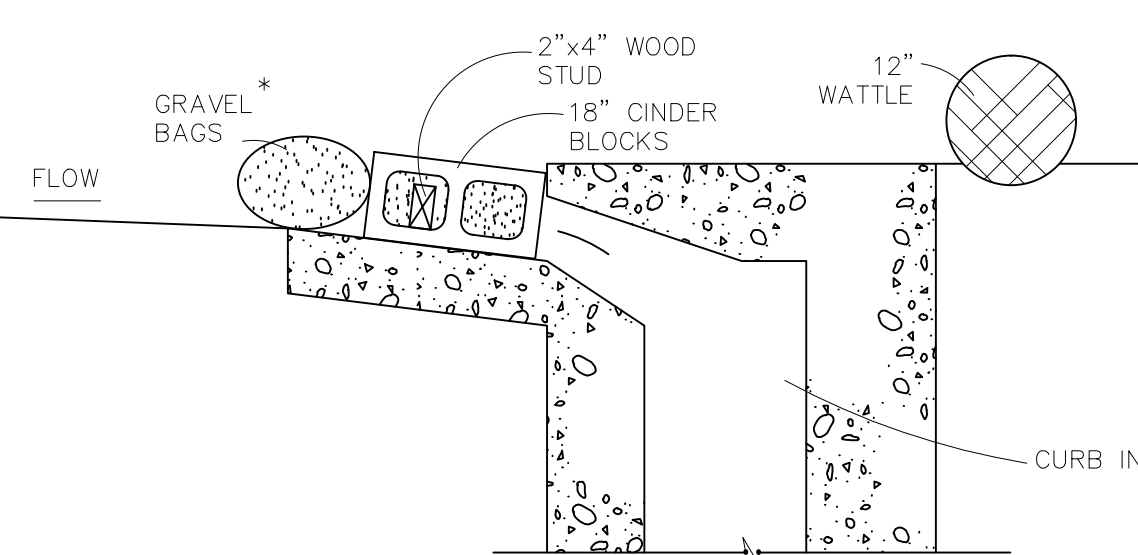
WHEN MORE THAN ONE EROSION LOG IS NEEDED, ENDS MUST BE TIGHTLY ABUTTED.

WATTLES MAY ALSO BE USED ACROSS LONG SLOPES TO REDUCE EROSION AND SEDIMENT VOLUME.

STRAW WATTLES MAY BE USED IN LIEU OF STRAW BALES AND/OR SILT FENCE WITH APPROVAL THE COUNTY, OWNER, ENGINEER, AND SWMP ADMINISTRATOR.



PLAN



SECTION

CONCRETE BLOCK AND GRAVEL BAG* CURB INLET PROTECTION

BLOCK AND GRAVEL BAG* CURB INLET PROTECTION NOTES

INSTALLATION REQUIREMENTS

- INLET PROTECTION SHALL BE INSTALLED IMMEDIATELY AFTER CONSTRUCTION OF INLET.
- CONCRETE BLOCKS ARE TO BE LAID AT 2' SPACING ON THEIR SIDES WITH THE OPEN ENDS OF THE BLOCK FACING EACH OTHER.
- IF MORE THAN ONE 2X4 IS REQUIRED, THEY NEED TO OVERLAP BY A MINIMUM OF 2'
- GRAVEL BAGS ARE TO BE PLACED AROUND THE CONCRETE BLOCKS AND 2X4 TO CLOSELY ABUTTING ONE ANOTHER SO THERE ARE NO GAPS.
- GRAVEL BAGS ARE TO CONTAIN WASHED SAND OR GRAVEL APPROXIMATELY 3/4 INCH IN DIAMETER.
- BAGS ARE TO BE MADE OF 1/4" INCH WIRE MESH (USED WITH GRAVEL ONLY) OR GEOTEXTILE.

MAINTENANCE REQUIREMENTS

- CONTRACTOR SHALL INSPECT INLET PROTECTION IMMEDIATELY AFTER EACH RAINFALL, AT LEAST DAILY DURING PROLONGED RAINFALL, AND WEEKLY DURING PERIODS NO RAINFALL.
- DAMAGED OR INEFFECTIVE INLET PROTECTION SHALL PROMPTLY BE REPAIRED OR REPLACED.
- SEDIMENT SHALL BE REMOVED WHEN SEDIMENT HAS ACCUMULATED TO APPROXIMATELY 1/2 THE DESIGN DEPTH OF THE TRAP.
- INLET PROTECTION SHALL BE REMOVED WHEN ADEQUATE VEGETATIVE COVER IS ATTAINED WITHIN THE DRAINAGE AREA AS APPROVED BY THE CITY.

* AN ALTERNATE 3/4" TO 1" GRAVEL FILTER OVER A WIRE SCREEN MAY BE USED IN PLACE OF GRAVEL BAGS. THE WIRE MESH SHALL EXTEND ABOVE THE TOP OF THE CONCRETE BLOCKS AND THE GRAVEL PLACED OVER THE WIRE SCREEN TO THE TOP OF THE CONCRETE BLOCKS.

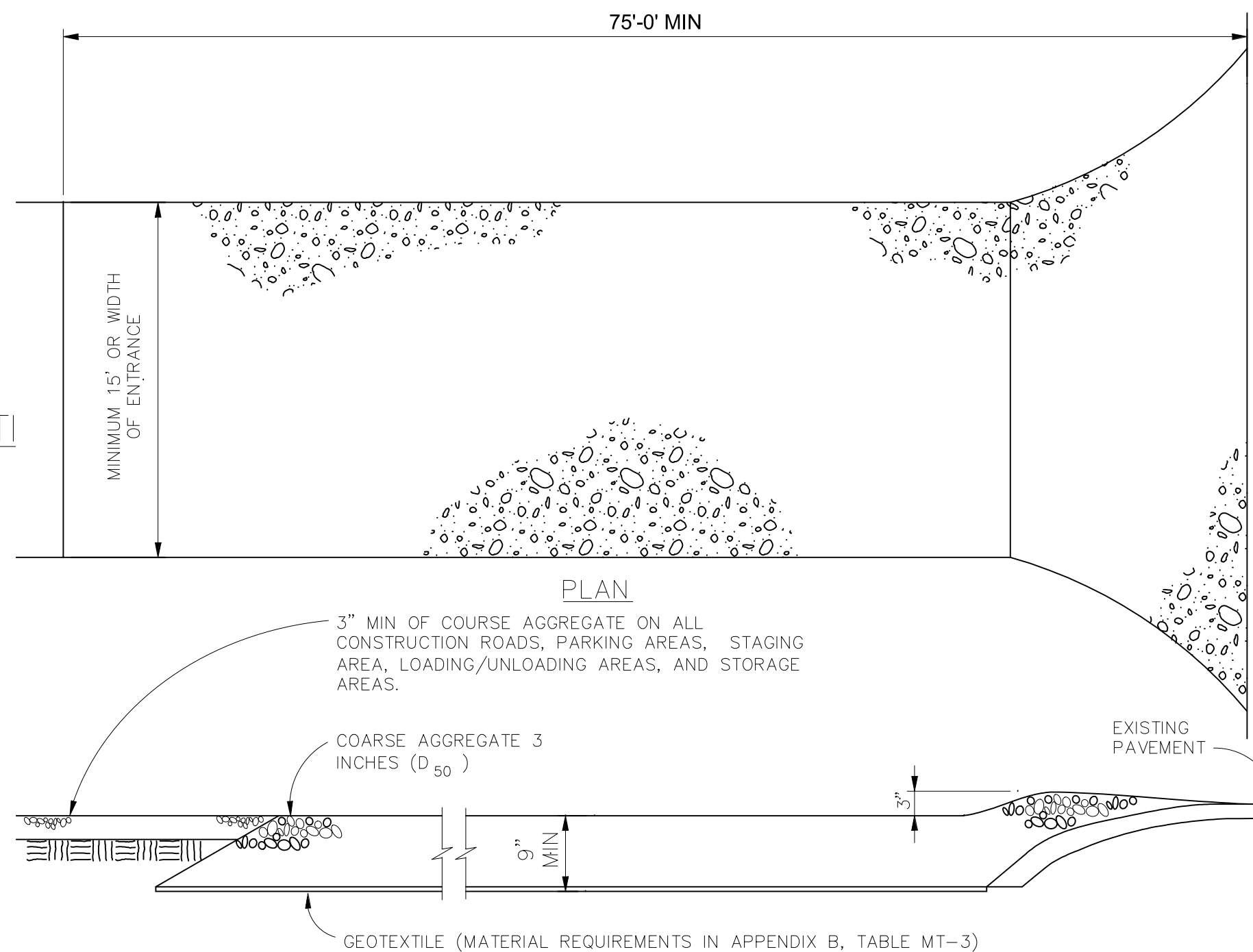
VEHICLE TRACKING NOTES

INSTALLATION REQUIREMENTS

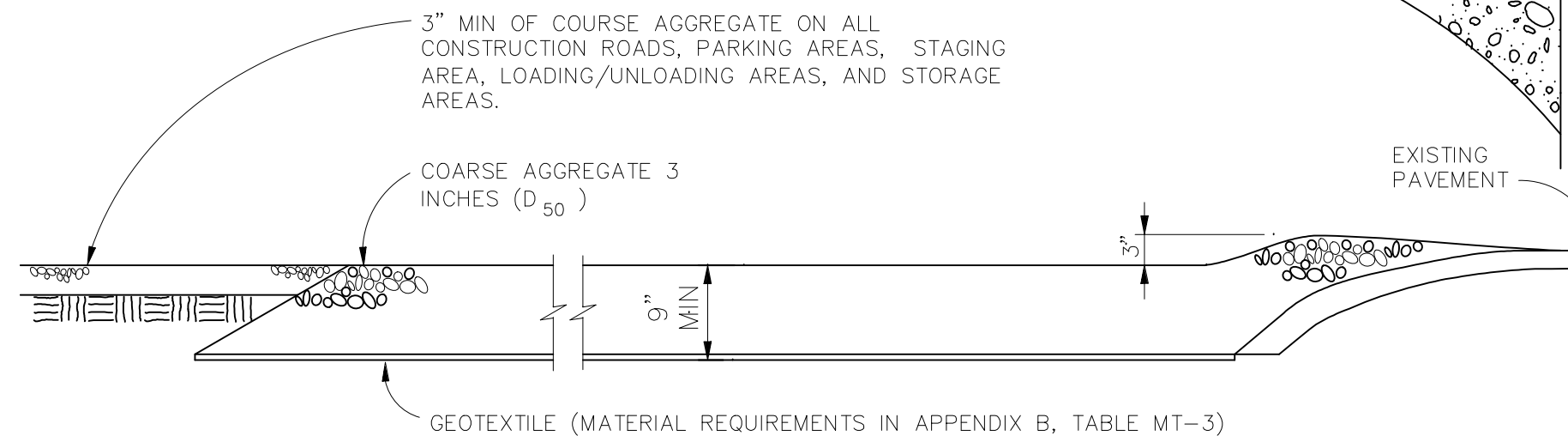
- ALL ENTRANCES TO THE CONSTRUCTION SITE ARE TO BE STABILIZED PRIOR TO CONSTRUCTION BEGINNING.
- CONSTRUCTION ENTRANCES ARE TO BE BUILT WITH AN APRON TO ALLOW FOR TURNING TRAFFIC, BUT SHOULD NOT BE BUILT OVER EXISTING PAVEMENT EXCEPT FOR A SLIGHT OVERLAP.
- AREAS TO BE STABILIZED ARE TO BE PROPERLY GRADED AND COMPACTED PRIOR TO LAYING DOWN GEOTEXTILE AND STONE.
- CONSTRUCTION ROADS, PARKING AREAS, LOADING/UNLOADING ZONES, STORAGE AREAS, AND STAGING AREAS ARE TO BE STABILIZED.
- CONSTRUCTION ROADS ARE TO BE BUILT TO CONFORM TO SITE GRADES, BUT SHOULD NOT HAVE SIDE SLOPES OR ROAD GRADES THAT ARE EXCESSIVELY STEEP.

MAINTENANCE REQUIREMENTS

- REGULAR INSPECTIONS ARE TO BE MADE OF ALL STABILIZED AREAS, ESPECIALLY AFTER STORM EVENTS.
- STONES ARE TO BE REAPPLIED PERIODICALLY AND WHEN REPAIR IS NECESSARY.
- SEDIMENT TRACKED ONTO PAVED ROADS IS TO BE REMOVED DAILY BY SHOVELING OR SWEEPING. SEDIMENT IS NOT TO BE WASHED DOWN STORM SEWER DRAINS.
- STORM SEWER INLET PROTECTION IS TO BE IN PLACE, INSPECTED, AND CLEANED IF NECESSARY.
- OTHER ASSOCIATED SEDIMENT CONTROL MEASURES ARE TO BE INSPECTED TO ENSURE GOOD WORKING CONDITION.



PLAN



SECTION VEHICLE TRACKING

TECH CONTRACTORS 11886 STAPLETON DRIVE FALCON, CO 80831 TELEPHONE: 719.495.7444 FAX: 719.495.2457	Meridian Ranch	ROUGH GRADING WINDINGWALK AT MERIDIAN RANCH ROUGH GRADING/EROSION CONTROL PLAN DETAIL SHEET	Drawn by AS SHOWN	Checked by LCA	Date DEC 2007	Scale AS SHOWN	22 of 22	Revisions	No.	Date	Appr.	Date
---	----------------	---	----------------------	-------------------	------------------	-------------------	----------	-----------	-----	------	-------	------