

Symbol	Qty	Label	Description	Luminaire Watts	Total Watts
□	3	P2	VP-1-160L-100-4K7-2	92	276
□	3	P3-BC	VP-1-160L-100-4K7-3-BC	97.15	291.45
□	2	P4F	VP-1-160L-100-4K7-4F	92	184

Label	CalcType	Units	Avg
SITE	ILLUMINANCE	Fc	1.24

**BEACON**  
VIPER Area/Site  
VIPER LUMINAIRE

**FEATURES**

- Low profile LED available luminaire with a variety of ES distributions for lighting applications such as auto dealerships, retail, commercial, and campus parking lots.
- Featuring two different optical technologies, Strike and Micro Strike Optics, which provide the best distribution patterns for retrofit or new construction.
- Rated for high vibration applications including bridges and overpasses. All sizes are rated for 1.5G.
- Control options including photo control, occupancy sensing, NIK Lighting Controls™, LightGRIP™ and 7-Pin with networked control.
- New customizable lumen output feature allows for the wattage and lumen output to be customized to the factory to meet relative specification requirements may vary.
- Field interchangeable mounting provides additional flexibility after the fixture has shipped.

**CONTROL TECHNOLOGY**

IP65, DIAL, DTC, LIGHT GRIP, SERVICE PROGRAMS, STÖCK, QSI0

**SPECIFICATIONS**

**CONSTRUCTION**

- Die cast housing with hidden vertical heat fins are optimal for heat dissipation while keeping a clean smooth outer surface.
- Corrosion resistant die cast aluminum housing with 1000 hour crevice coat and finish.
- External hardware is corrosion resistant.

**OPTICS**

Micro Strike Optics (MSO) 300, 480, or 720 LED, provides superior uniformity in applications such as campus parking lots with its wide beam angle. Micro Strike Optics (MSO) 300, 480, or 720 LED, provides superior uniformity in applications such as campus parking lots with its wide beam angle.

**ELECTRICAL**

- Complies with IEEE Std 1888-2014 VAC input voltage, 300V/120V.
- And operating temperature -40°C to 40°C.
- Downs have greater than 80% power factor and less than 20% THD.
- LED drivers have output power over voltage, over current protection and short circuit protection with auto recovery.
- Field replaceable single pin LED driver compatible with standard LED drivers meeting ANSI E83 C22-62 Category C High Voltage LED Driver Category C/A. Automatically turns fixture off for protection when driver is disconnected.
- Dual Driver option provides 2 drivers with lumen output per watt while meeting the same specifications as the single driver option. The two drivers which can be wired independently as two separate drivers or as a single driver. Both options cannot be combined.

**CONTROLS**

- Photo control, occupancy sensor, programmable light trespass levels, and 0/100% dimming control. Photo control and occupancy sensor are available for complete control and dimming control.
- These control options are available when controlling control and electrical systems as some configurations may not be available as an option depending on your configuration.
- Full ANSI C82.41-2013 photocontrol receptacle option available for field use. Photocontrol or wireless control includes power accessories and networked option.

**CONTROLS/CONTINUES**

- 0/100% dimming control is standard and dimming leads are attached out of the luminaire. A wiring lead, that specifies wiring leads are to be greater than 18" and 18" long, is available with the luminaire. LightGRIP™ available with in fixture wireless control module, feature dimming and occupancy sensor. Also available in full configuration.

**WARRANTY**

- 3 year warranty.

DATE: LOCATION:  
TYPE: PROJECT:  
CATALOG #:

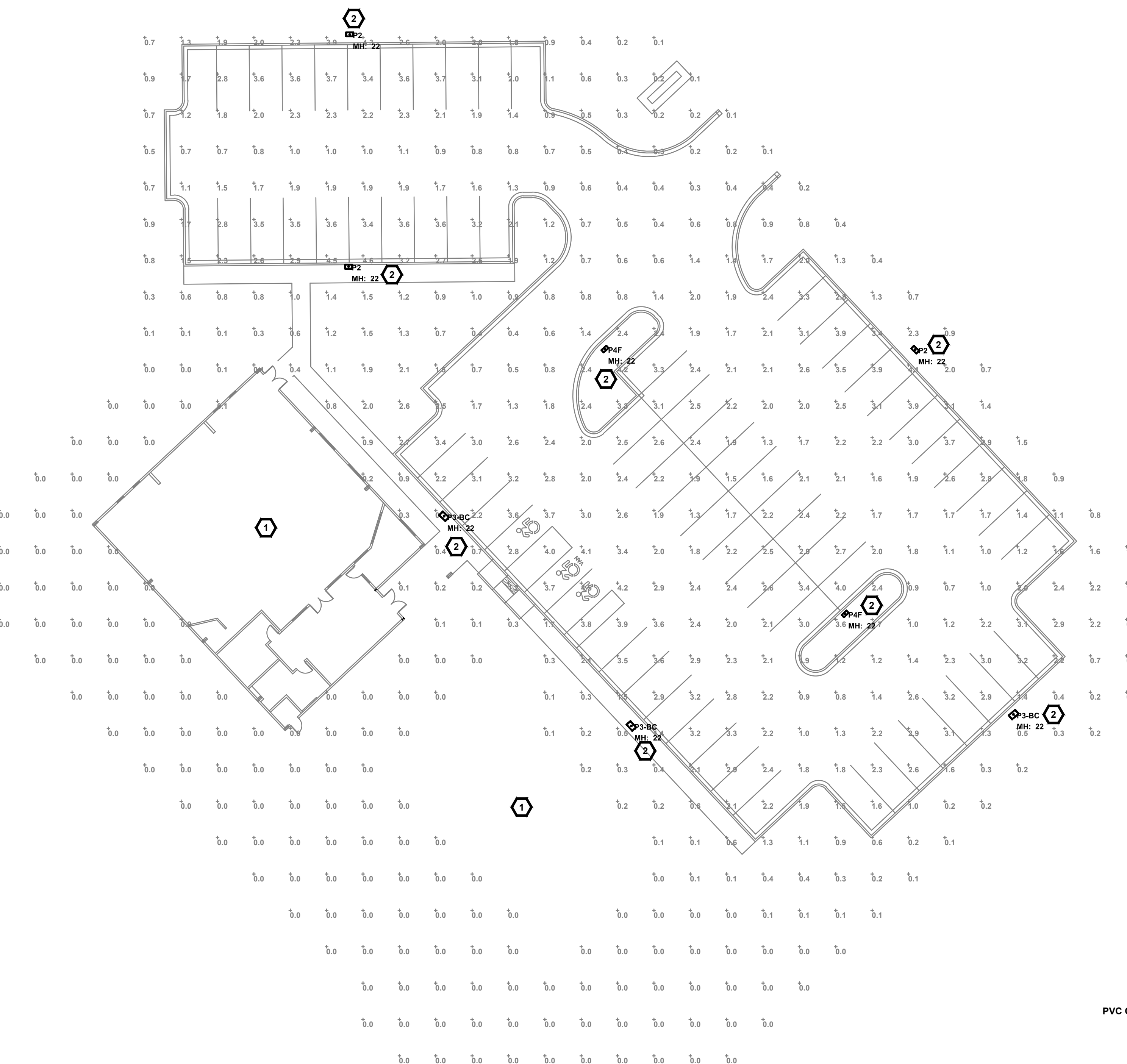
**CONTRIBUTOR**

Model	Wattage	Beam Angle	Height	Width	Depth
MSO 300	92	120°	100	100	100
MSO 480	184	120°	100	100	100
MSO 720	276	120°	100	100	100

**CERTIFICATIONS**

- UL Listed, ETL Listed, Construction Quarterly, with some features. Qualified configurations, but all configurations are subject to the current ETL and Qualified. Refer to <http://www.beaconlighting.com> for the most up-to-date list.
- Listed to UL 1888 and CSA C22.2-07/09-24 for wet locations and 40°C ambient temperature.
- UL Listed for ANSI C82.41-2013 photocontrol receptacle.
- UL Listed for IP65 listed.
- Meets DA requirements using 3K CCT configuration at 0 degrees of tilt.
- They comply with the Federal Acquisition Regulation (FAR) 48 CFR 227.225-6 and Trade Agreements Act (TAA) 251.225-11. See <http://www.beaconlighting.com> for more information.

TYPE "P2/P3-BC/P4F"



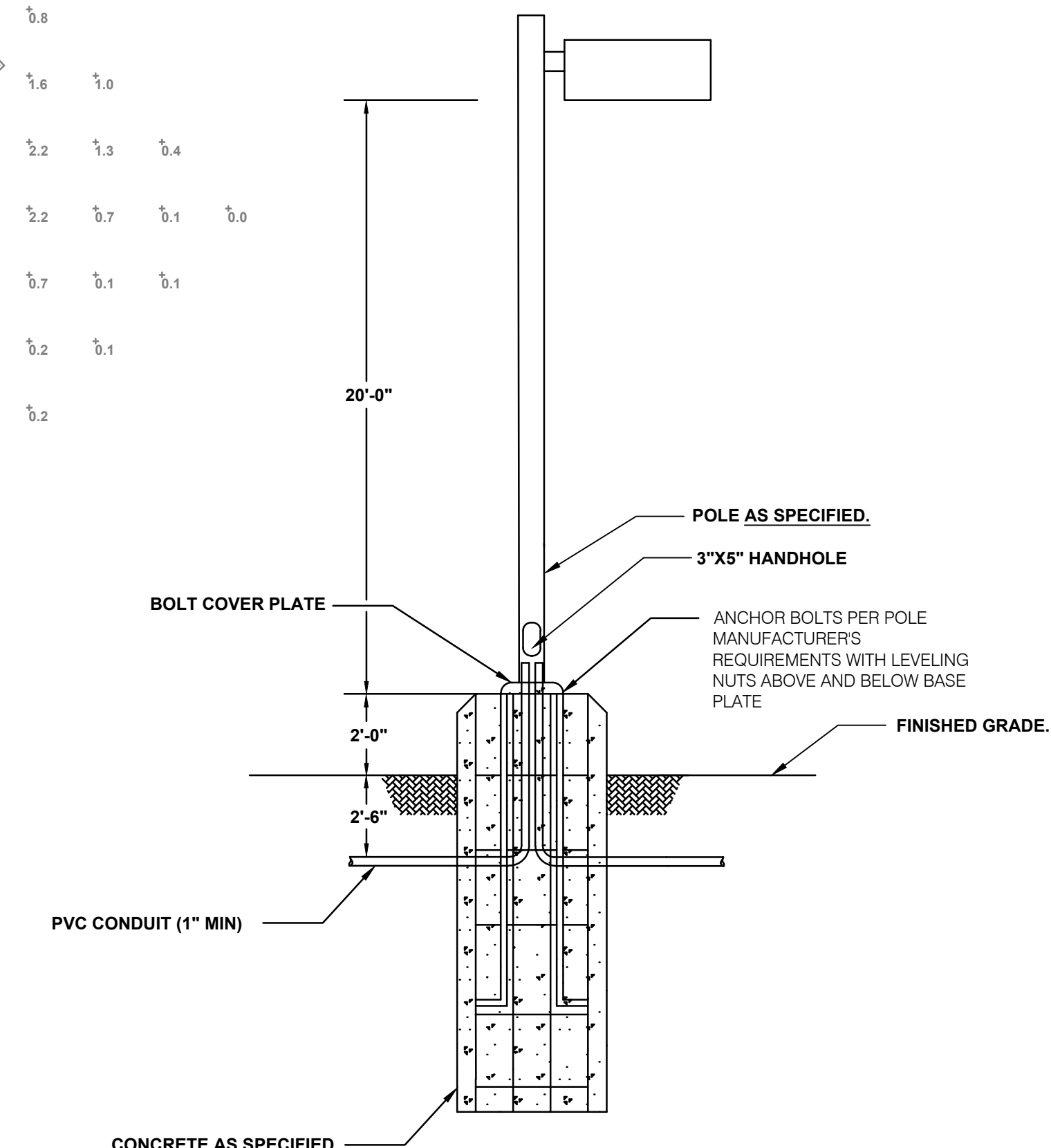
**SITE PHOTOMETRIC PLAN**  
SCALE: 1" = 20'-0"

**GENERAL NOTES**

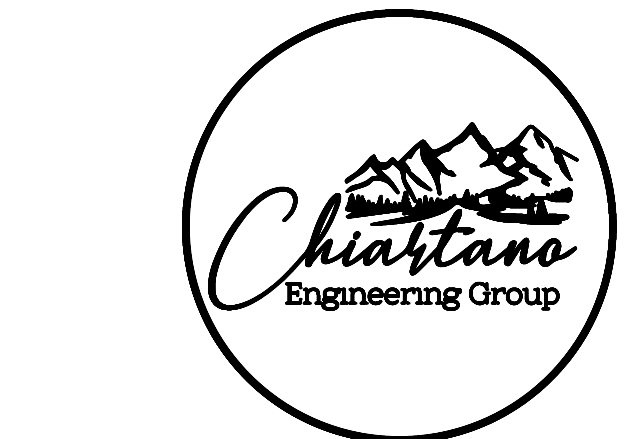
- DRAWINGS ARE BASED ON RECORD DRAWINGS (NOT GUARANTEED TO BE CURRENT AT TIME OF CONSTRUCTION) AND FIELD INVESTIGATION WITH DEMOLITION, EXAMINE PLANS AND VISIT THE SITE TO FIELD VERIFY ACTUAL CONDITIONS AND COORDINATE SAME WITH OTHER TRADES PRIOR TO STARTING WORK.
- A LICENSED AND BONDED CONTRACTOR SHALL BE USED FOR INSTALLATION. ALL LOCAL CODES SHALL BE FOLLOWED DURING INSTALLATION.
- ALL LIGHTING FIXTURES SHALL BE FULL CUT-OFF OR HAVE SHIELDING TO REDUCE OFF-SITE LIGHTING IMPACTS ONTO ADJACENT PROPERTIES AND ROADWAYS. ALL EXTERIOR LIGHTING SHALL BE ARRANGED TO MITIGATE LIGHT DIRECTED AWAY FROM ADJACENT PROPERTIES AND ANY PUBLIC RIGHT-OF-WAY. AN AMENDMENT TO THIS PLAN MAY BE REQUIRED IF THE LIGHTING TYPE IS CHANGED.
- A FINAL COMMISSIONING REPORT SHALL BE DELIVERED TO THE BUILDING OWNER PER SECTION C408.2.5 OF THE 2021 IECG.

**KEYNOTES**

- LIGHTING FOR THE WALKWAYS WILL BE PROVIDED BY WALL-MOUNTED DOWN CASTING FIXTURES LOCATED ON PROPOSED BUILDING. FINAL LOCATION TO BE DETERMINED DURING BUILDING DESIGN.
- EXTERIOR LIGHTING, EXCEPT SECURITY LIGHTING, WILL BE CONTROLLED BY A TIME CLOCK TO BE TURNED OFF DURING NON-OPERATING HOURS.



**POLE BASE DETAIL**  
SCALE: NTS



10186 MT. LINCOLN DR. PEYTON, CO 80831  
INFO@CHIARTANOEG.COM  
719.257.2091

**WIDEFIELD COMMUNITY BIBLE CHURCH**  
**702 QUEBEC ST**  
**COLORADO SPRINGS, CO 80911**

NO.	REVISION	DATE

PROJECT NO: 24-0816  
DRAWN BY: MPC  
CHECKED BY: MPC  
DATE: 10/04/2024

SHEET CONTENTS:  
**SITE PHOTOMETRIC PLAN**

SHEET NUMBER:

**E100A**

ALL DRAWINGS AND SPECIFICATIONS ARE THE PROPERTY OF THE ENGINEER OF RECORD. THEY ARE ONLY TO BE USED FOR THIS PROJECT AND ARE NOT TO BE REPRODUCED OR COPIED FOR ANY OTHER PROJECT WITHOUT WRITTEN AGREEMENT AND APPROPRIATE COMPENSATION TO THE ENGINEER OF RECORD.