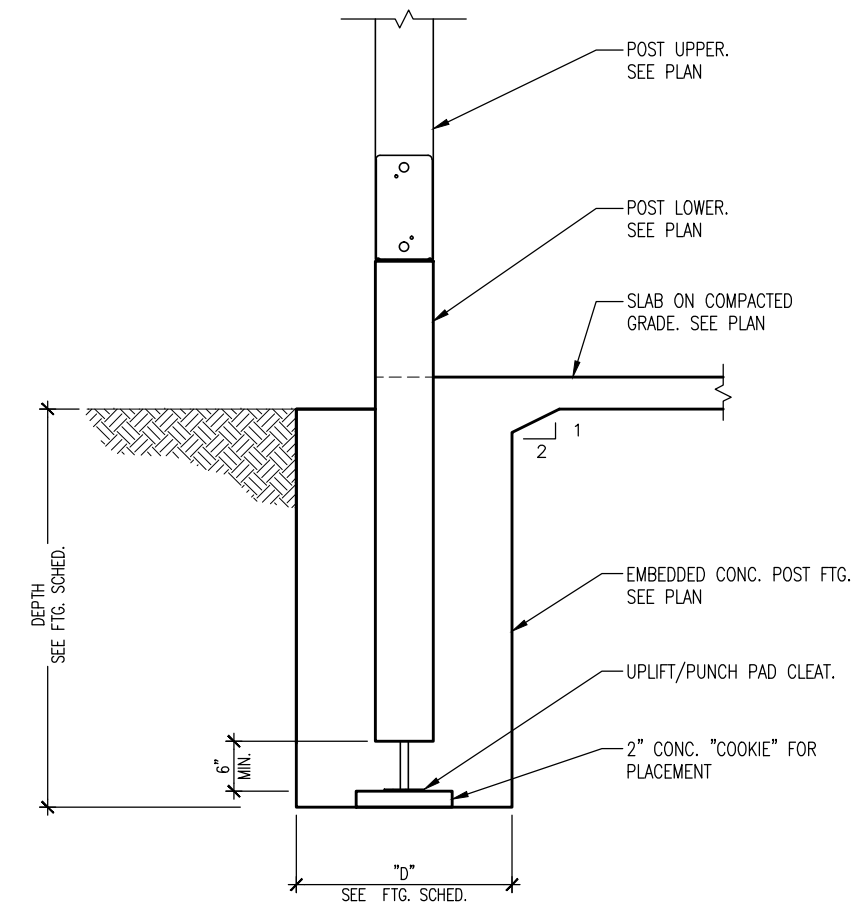
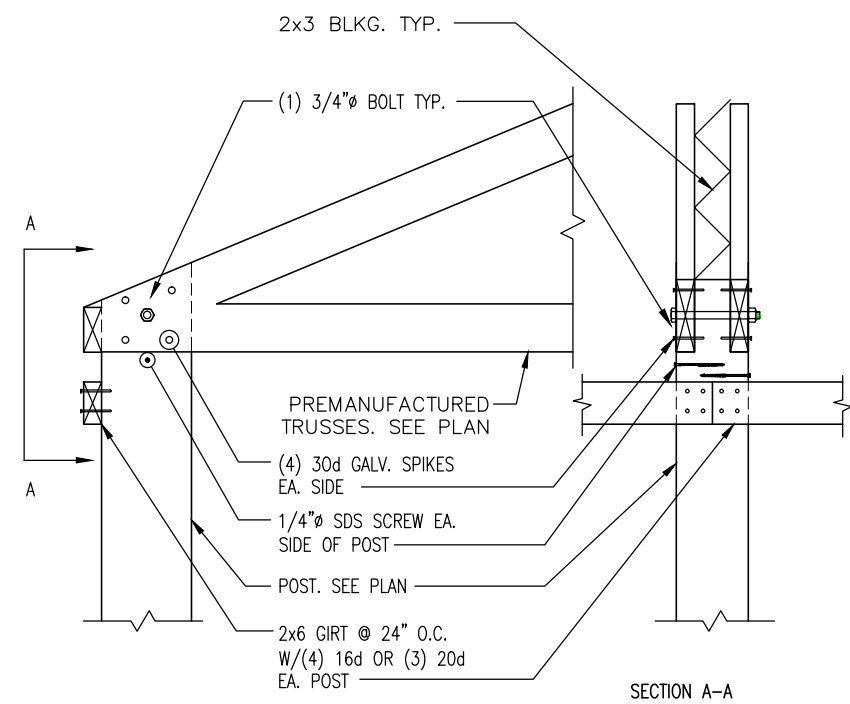


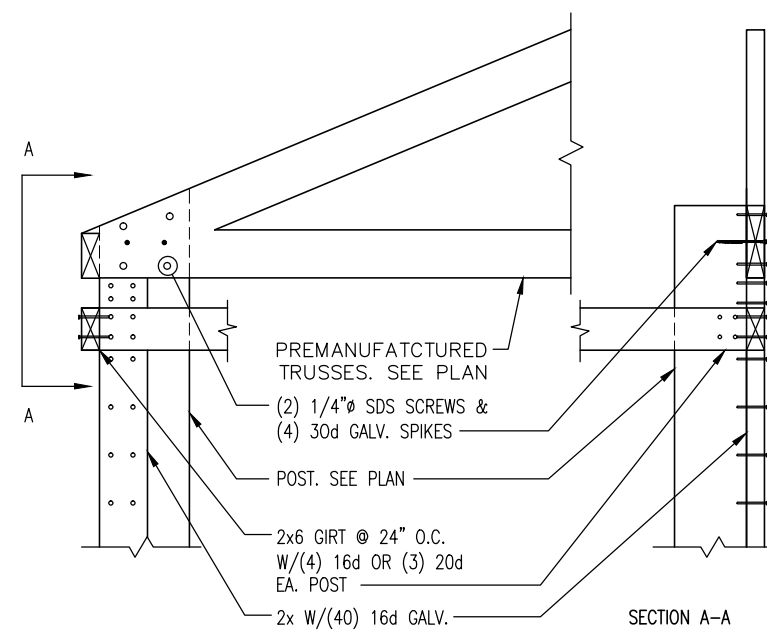
1 SECTION 1-1  
SCALE: 1/8" = 1'-0"



2 POST FOOTING  
SCALE: 1/2" = 1'-0"



3 MAIN FRAME TRUSS BEARING DETAIL  
SCALE: 1/2" = 1'-0"



4 GABLE END TRUSS BEARING DETAIL  
SCALE: 1/2" = 1'-0"



COPYRIGHT:  
STEEL STRUCTURES AMERICA, INC.  
P.O. BOX 895  
POST FALLS, IDAHO  
PH: 800-833-9997  
FAX: 208-777-8597

BLDG. SECTION AND FRAMING DETAILS

NO.	REVISIONS	DATE



POST FRAME BLDG FOR:  
**HUGH & DEBRA PRIVETTE**  
3060 FLYING VIEW, LOT # 29  
CALHAN, COLORADO

DRAWN	BW
DATE	6/20/19
JOB NO.	11017
SHEET	<b>S3</b>